



H. H. SCOTT  
MODEL 99-C



H. H. SCOTT  
MODEL 99-C

TRADE NAME	H. H. Scott Model 99-C	
MANUFACTURER	Hermon Hosmer Scott, Inc., 385 Putnam Ave., Cambridge 39, Mass.	
TYPE SET	AC Operated 7 Channel Preamp. -Amplifier	
TUBES (Six)	Types 12AX7 Phono Preamp. -AF Amp., 12AX7 AF Amplifier, 12AX7 AF Amplifier - Phase Inv., (2) 6L6GB Output, 5U4GA Rectifier	
POWER SUPPLY	110-120 Volts AC-60 Cycles	RATING 1.04 Amp. @ 117 Volts AC (110 Watts)

**HOWARD W. SAMS & CO., INC. • Indianapolis 5, Indiana**

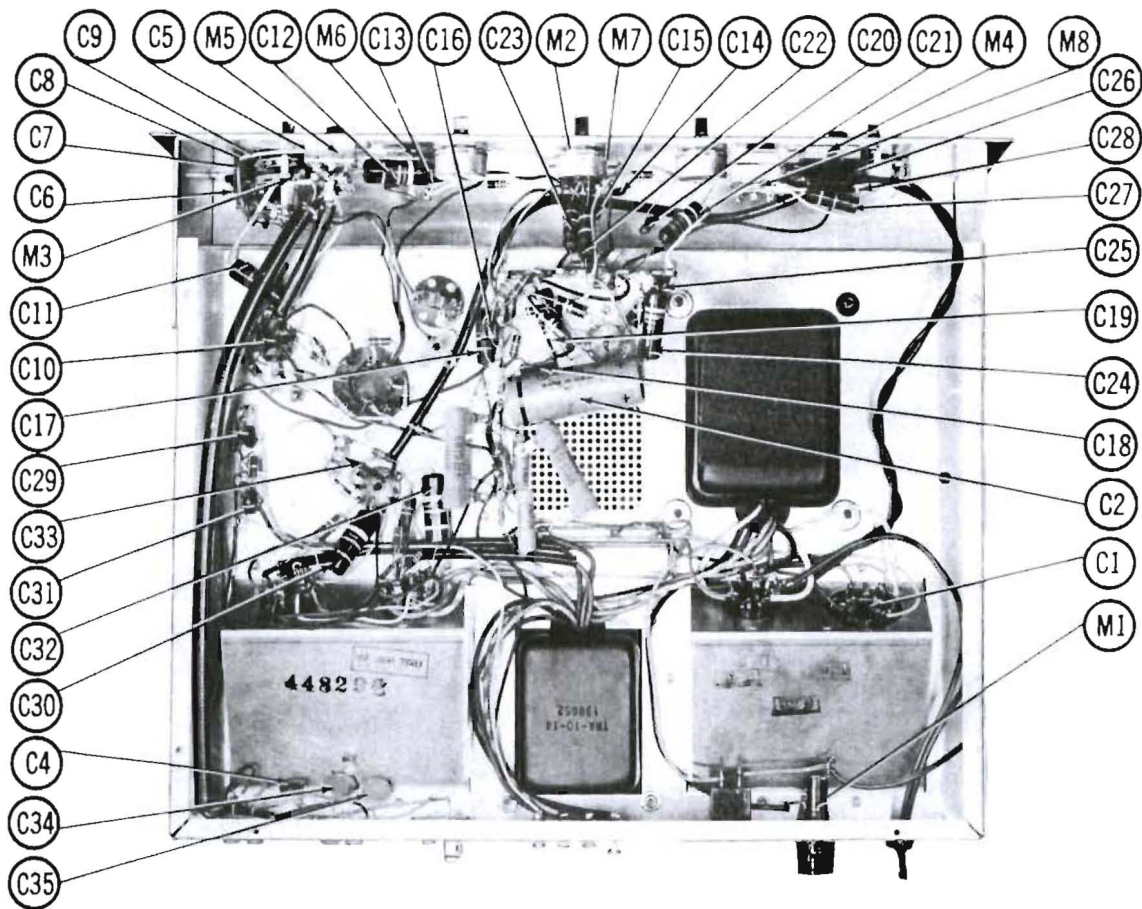
The listing of any available replacement part herein does not constitute in any case a recommendation, warranty or guaranty by Howard W. Sams & Co., Inc., as to the quality and suitability of such replacement part. The numbers of these parts have been compiled from information furnished to Howard W. Sams & Co., Inc., by the manufacturers of H68

the particular type of replacement part listed. Reproduction or use, without express permission, of editorial or pictorial content, in any manner, is prohibited. No patent liability is assumed with respect to the use of the information contained herein. © 1957 Howard W. Sams & Co., Inc., Indianapolis 5, Indiana. Printed in U.S. of America

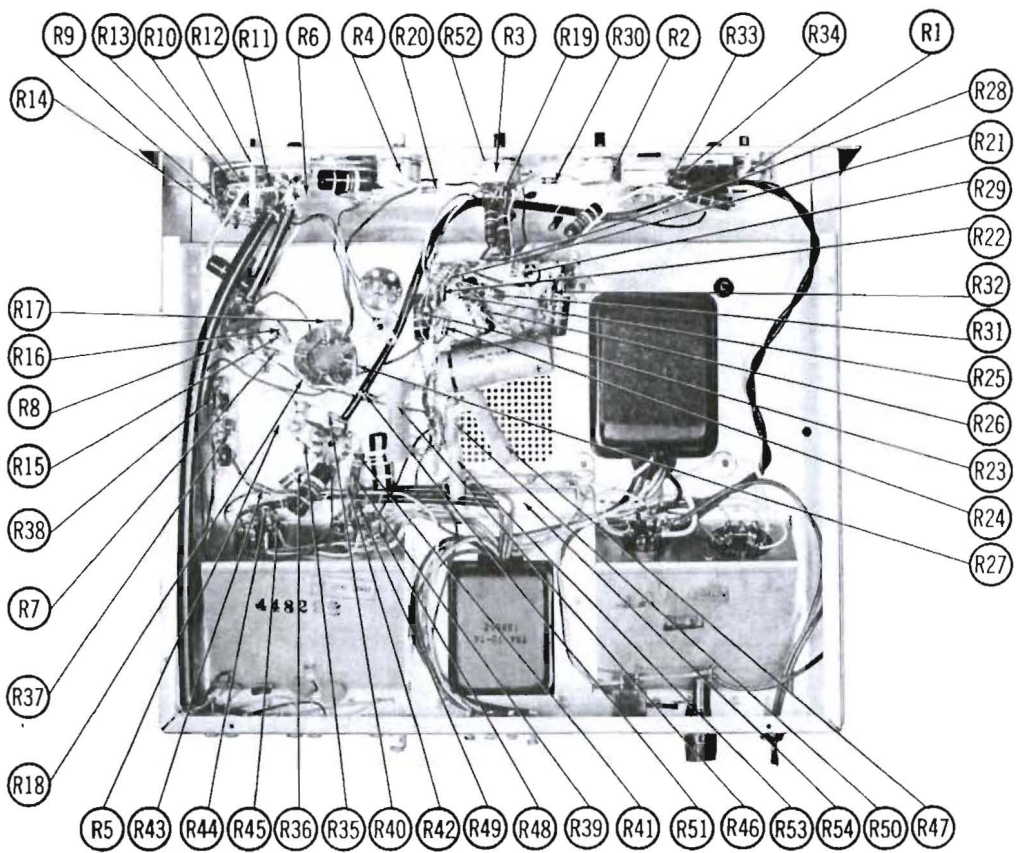
DATE 9-57

SET 370

FOLDER 11



**CHASSIS-BOTTOM VIEW-CAPACITOR IDENTIFICATION**



**CHASSIS-BOTTOM VIEW-RESISTOR IDENTIFICATION**

## PARTS LIST AND DESCRIPTIONS

### TUBES ( GENERAL ELECTRIC, SYLVANIA )

ITEM No.	USE	TYPE	NOTES	ITEM No.	USE	TYPE	NOTES
V1	Phono Preamplifier AF Amp.	12AX7		V4	Output	6L6GB	
V2	AF Amplifier	12AX7		V5	Output	6L6GB	
V3	AF Amp. -Phase Inv.	12AX7		V6	Rectifier	5U4GA	

### ELECTROLYTIC CAPACITORS

ITEM No.	RATING		REPLACEMENT DATA						SPRAGUE PART No.
	CAP.	VOLT.	H. H. SCOTT PART No.	AEROVOX PART No.	CORNELL-DUBILIER PART No.	MALLORY PART No.	PYRAMID PART No.	SANGAMO PART No.	
C1A	.20	475		AFH4-19-20	DO179,5	FP475		T-205	TVL-4834
B	.20	475						MT-4720	
C	.20	475							
D	.20	475							
C2	50	100		PRSI50V50	BR5015	TC49	TD-50-150	MT-1550	TVA-1414
C3A	.10	450		AFH4-63	DO880	FP376,6	TMQ-72	Q-295	R2439 *
B	.10	450				TC26			
C	.25	25							
D	.25	25							

\* Non-Catalog Item.

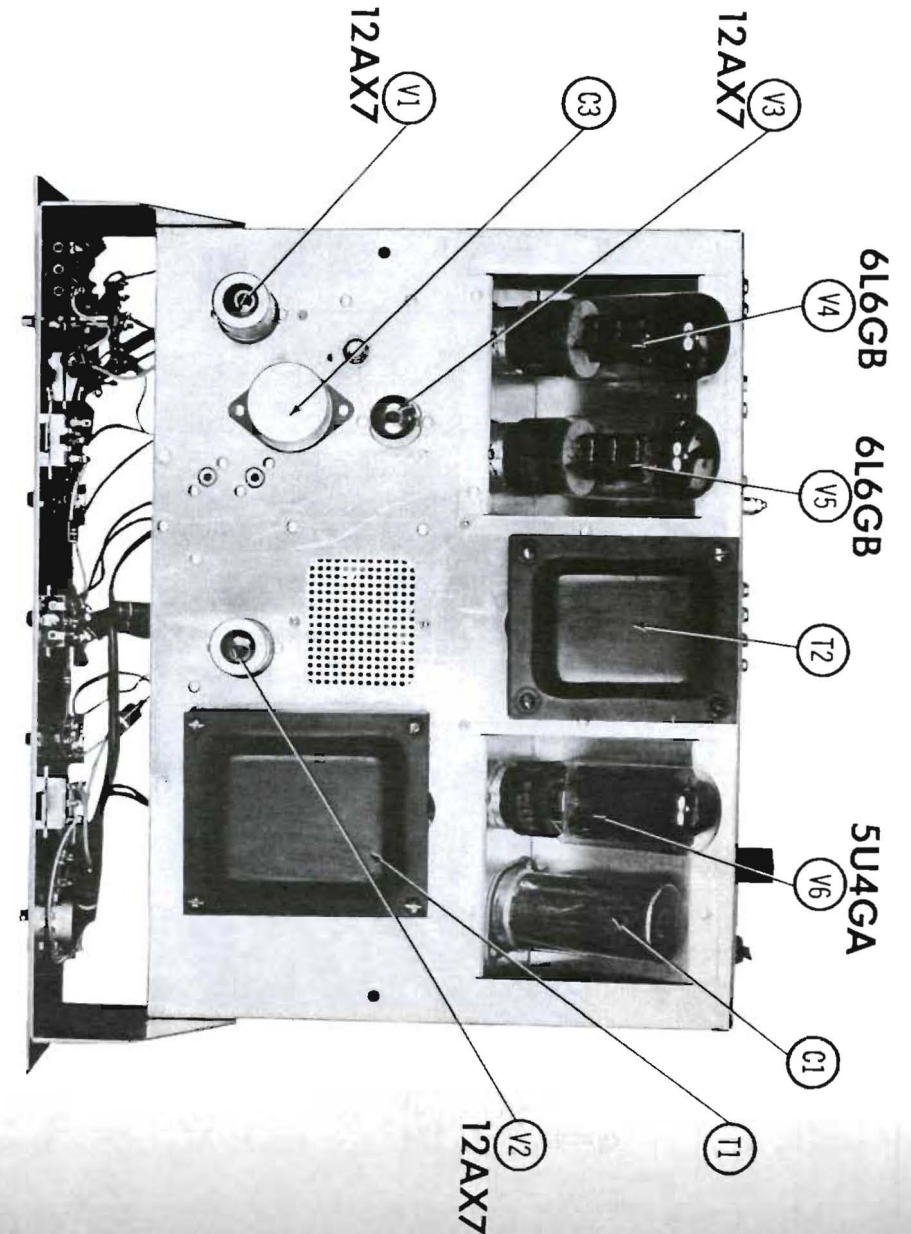
### FIXED CAPACITORS

Capacity values given in the rating column are in mfd. for Paper Capacitors, and in mmfd. for Mica and Ceramic Capacitors.

ITEM No.	RATING		REPLACEMENT DATA							NOTES
	CAP.	VOLT.	H. H. SCOTT PART No.	AEROVOX PART No.	CENTRALAB PART No.	CORNELL-DUBILIER PART No.	ERIE PART No.	MALLORY PART No.	SPRAGUE PART No.	
C4	100			1468-0001	DD-101	5W5T1	ED-100	UC-531	5GA-T1	
C5	.0012	400		SI1200	D6-122	LT6D12	GP-1200	UC-5212	5GA-D12	
C6	220			1468-00022	DD-221	5W5T22	ED-220	UC-5322	5GA-T22	
C7	270			1467-00027	DD-271	5W5T27	ED-270	UC-5327	5GA-T27	
C8	330			1467-00033	DD-331	5W5T33	ED-330	UC-5333	5GA-T33	
C9	680			1467-00068	DD-681	1W5T68	ED-680	UC-5368	5GA-T68	
C10	20000			BPD-02	DD-203	BYB6S2	ED-02		5HK-S2	
C11	.022	400		BPD-02	DF-203	CUB4S22	ED-02	GEM-6122	4TM-S22	
C12	.047	400		BPD-05	DF-503	CUB4S47		GEM-4147	4TM-S47	
C13	.0047	400		BPD-0047	DD-472	CUB6D47	GP-4700	GEM-6247	6TM-D47	
C14	22			1468-000022	DD-220	5W5Q22	ED-22	UC-5422	5GA-Q22	
C15	470			1468-00047	DD-471	5W5T47	ED-470	UC-5347	5GA-T47	
C16	4.7			NPO-S14.7	TCZ-4R7	C10V47C	TCO-4.7	ZT-5547	5CCB-V47	
C17	.001	400		BPD-001	DD-102	CUB6D1	ED-1000	GEM-421	6TM-D1	
C18	680			1468-00068	DD-681	1W5T68	ED-680	UC-5368	5GA-T68	
C19	.047	400		BPD-05	DF-503	CUB4S47		GEM-4147	4TM-S47	
C20	100			1468-0001	DD-101	5W5T1	ED-100	UC-531	5GA-T1	
C21	.0022	400		BPD-0022	D6-222	CUB6D22	GP-2200	GEM-6222	6TM-D22	
C22	.001	400		BPD-001	DD-102	CUB4D1	ED-1000	GEM-421	6TM-D1	
C23	.01	400		BPD-01	DD-103	CUB4S1	ED-01	GEM-411	4TM-S1	
C24	.0047	600		BPD-0047	DD-472	CUB6D47	ED-0047	GEM-6247	6TM-D47	
C25	.01	400		BPD-01	DD-103	CUB4S1	ED-01	GEM-411	4TM-S1	
C26	47			1468-000047	DD-470	5W5Q47	ED-47	UC-5447	5GA-Q47	
C27	.022	400		BPD-02	DF-203	CUB4S22	ED-02	GEM-4122	4TM-S22	
C28	.01	400		BPD-01	DD-103	CUB4S1	ED-01	GEM-411	4TM-S1	
C29	100			1468-0001	DD-101	5W5T1	ED-100	UC-531	5GA-T1	
C30	.047	400		BPD-05	DF-503	CUB4S47		GEM-4147	4TM-S47	
C31	330			1468-00033	DD-331	5W5T33	ED-330	UC-5333	5GA-T33	
C32	.047	400		BPD-05	DF-503	CUB4S47		GEM-4147	4TM-S47	
C33	20000			BPD-02	DD-203	BYB6S2	ED-02		5HK-S2	
C34	4700			BPD-0047	DD-472	BYA10D47	ED-0047	UC-5247	5GA-D47	
C35	4700			BPD-0047	DD-472	BYA10D47	ED-0047	UC-5247	5GA-D47	

① Not used in some versions.

## CHASSIS—TOP VIEW



## PARTS LIST AND DESCRIPTIONS (Continued)

### CONTROLS

ITEM No.	RATING		REPLACEMENT DATA					INSTALLATION NOTES
	RESISTANCE	WATTS	H. H. SCOTT PART No.	CENTRALAB PART No.	CLAROSTAT PART No.	IRC PART No.	MALLORY PART No.	
RIA	500K	1/2	RCV-500KTT-3F	ABT-160		Q18-133XX	UDT-283	Loudness, Tap @ 100K & 275K
B Shaft								
R2A	1Meg	1/2	RCV-1Meg-3F	AK-3		Not Req.	Not Req.	Treble
B Shaft				B-70	A47-1Meg-Z	Q13-137	U53	
R3A	1Meg	1/2	RCV-1Meg-3F	Not Req.	FS-3	Not Req.	Not Req.	Bass
B Shaft				B-70	A47-1Meg-Z	Q13-137	U53	
R4A	500K	1/2	RCV-500K-3F	Not Req.	FS-3	Not Req.	Not Req.	Level
B Shaft				B-59	A47-500K-S	Q11-133	U50	
R5A	50K	1/2	RCV-50KL-3S	Not Req.	FS-3	Not Req.	Not Req.	Hum Balance
B Shaft				AB-31	A47-50K-S	Q11-123	SU-35	
				AK-1	FKS-1/4	RQ	Not Req.	

### RESISTORS

All wattages 1/2 watt, or less, unless otherwise listed.

ITEM No.	RATING		REPLACEMENT DATA		NOTES	ITEM No.	RATING		REPLACEMENT DATA		NOTES
	OHMS	WATT	H. H. SCOTT PART No.	IRC PART No.			OHMS	WATT	H. H. SCOTT PART No.	IRC PART No.	
R6	47K			BTS-47K		R31	100K	1		BTA-100K	
R7	270K			BTS-270K		R32	1500Ω			BTS-1500	
R8	2700Ω			BTS-2700		R33	47K			BTS-47K	
R9	330K			BTS-330K	Note 2	R34	100K			BTS-100K	
R10	39K			BTS-39K		R35	220K			BTS-220K	
R11	270K			BTS-270K		R36	100K	1		BTA-100K	
R12	4.7Meg			BTS-4.7Meg		R37	1800Ω			BTS-1800	
R13	1.2Meg			BTS-1.2Meg		R38	12K			BTS-12K	
R14	2.7Meg			BTS-2.7Meg		R39	2.2Meg			BTS-2.2Meg	
R15	1Meg			BTS-1Meg		R40	270K			BTS-270K	
R16	270K			BTS-270K		R41	100K	1		BTA-100K	
R17	2700Ω			BTS-2700		R42	1500Ω			BTS-1500	
R18	47K			BTS-47K		R43	6800Ω			BTS-6800	
R19	1Meg			BTS-1Meg		R44	330K			BTS-330K	
R20	470K			BTS-470K		R45	1000Ω			BTS-1000	
R21	1.5Meg			BTS-1.5Meg	Note 1	R46	15K	10		1 3/4A-15K	
R22	4.7Meg			BTS-4.7Meg		R47	15K	10		1 3/4A-15K	Note 2
R23	22Meg			BTS-22Meg	Note 2	R48	1000Ω			BTS-1000	
R24	2.2Meg			BTS-2.2Meg		R49	330K			BTS-330K	
R25	3.3Meg			BTS-3.3Meg		R50	3000Ω	4		PW4-3000	Note 3
R26	100K	1		BTA-100K		R51	15K			BTS-15K	
R27	1500Ω			BTS-1500		R52	680K			BTS-680K	Note 2
R28	220K			BTS-220K		R53	2000Ω	4		PW4-2000	Note 4
R29	22K			BTS-22K		R54A	1500Ω	2			
R30	100K			BTS-100		B	160Ω	5			
						C	33Ω	4			

Note 1. Some versions may use 1.8Meg  
Note 2. Not used in some versions

Note 3. Some versions may use 2000Ω 5W  
Note 4. Some versions may use 4700Ω 2W

## PARTS LIST AND DESCRIPTIONS (Continued)

### TRANSFORMER (POWER)

ITEM No.	RATING				REPLACEMENT DATA					
	PRI.	SEC. 1	SEC. 2	SEC. 3	H. H. SCOTT PART No.	Holldorson PART No.	Merit PART No.	Stancor PART No.	Thordarson PART No.	Triad PART No.
T1	117VAC @ .97A	700VCT @ .130A	5VAC @ 3A	6.3VCT @ 2.1A	TR-10-3	P9315	P2953 ①	PM8411 ①	22R07	R-16B ①

① Fabricate Mounting.

### TRANSFORMER (AUDIO OUTPUT)

ITEM No.	IMPEDANCE		REPLACEMENT DATA						NOTES
	PRI.	SEC.	H. H. SCOTT PART No.	Holldorson PART No.	Merit PART No.	Stancor PART No.	Thordarson PART No.	Triad PART No.	
T2	7300Ω CT	16Ω tap @ 8Ω, 4Ω	TRA-10-14						

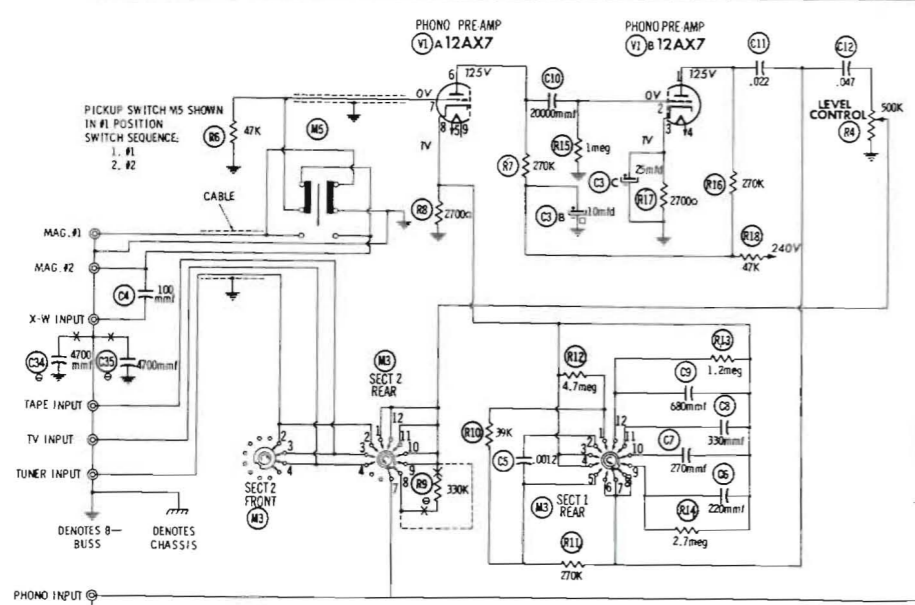
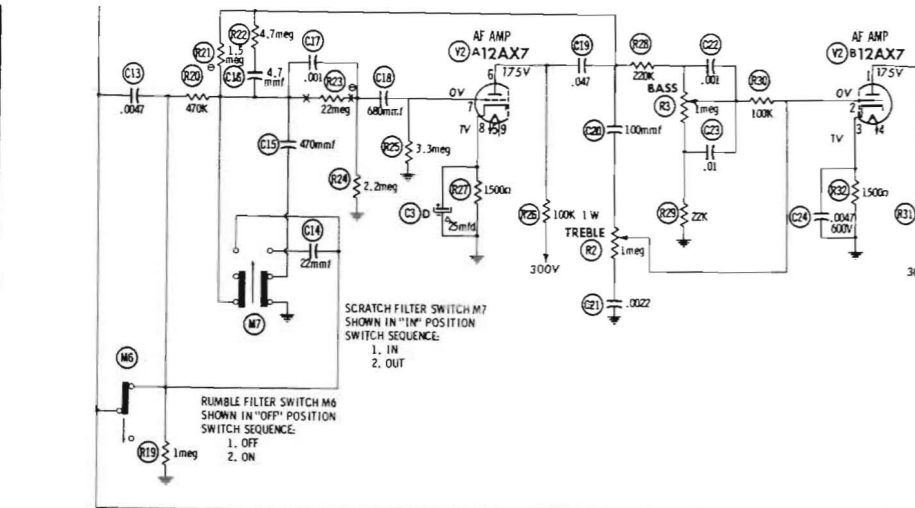
### FUSES

ITEM No.	TYPE	RATING	REPLACEMENT DATA					
			H. H. SCOTT PART No.		LITTELFUSE PART No.		BUSS PART No.	
			FUSE	HOLDER	FUSE	HOLDER	FUSE	HOLDER
M1	3AG	2A 125V S/B			313002. (3AG 2A-S/B)	342001	MDL2	HKP

### MISCELLANEOUS

ITEM No.	PART NAME	H. H. SCOTT PART No.	NOTES
M2	Lamp ①		Indicator (Neon)
M3	Switch		Function (Rotary Wafer Type)
M4	Switch		On-Off
M5	Switch		Pickup (Slide Type - DPDT)
M6	Switch		Rumble Filter (Slide Type - SPDT)
M7	Switch		Scratch Filter (Slide Type - DPDT)
M8	Switch		Loudness - Vol. (Slide Type - DPDT)

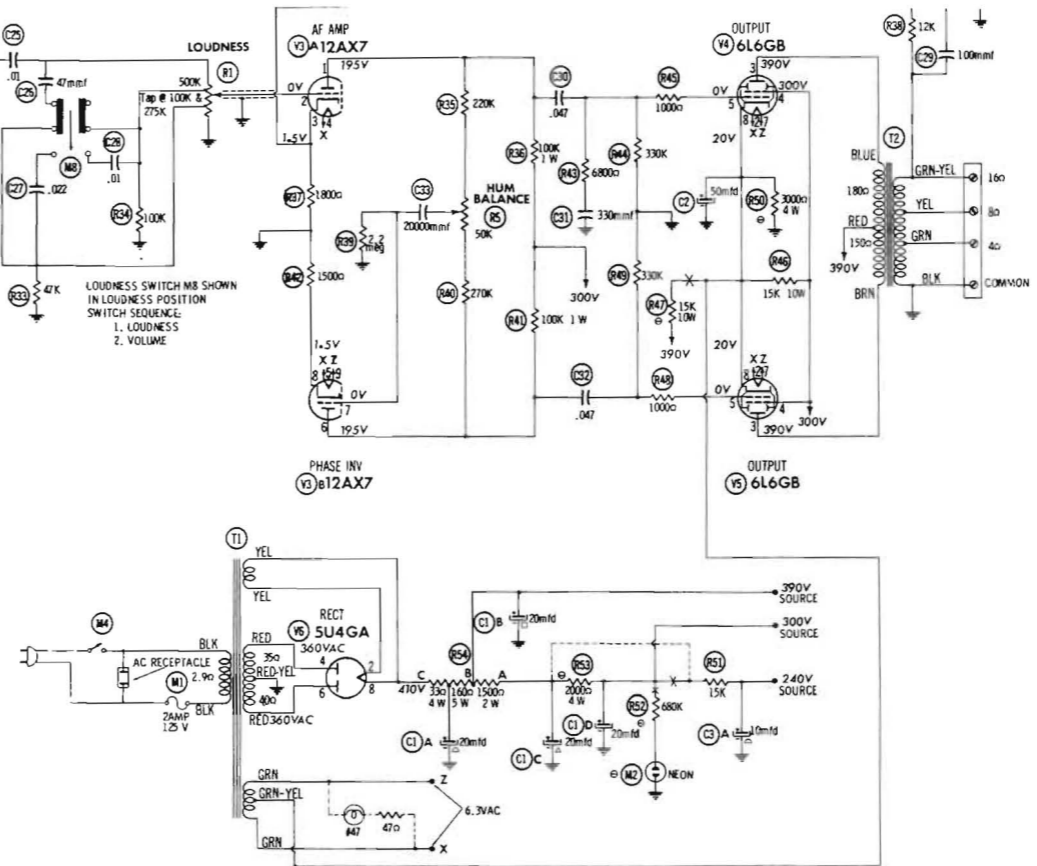
① Not Used In Some Versions



SEE PARTS LIST FOR ALTERNATE VALUE ON APPLICATION

- DC voltage measurements taken with vacuum tube voltmeter; AC voltages measured at 1000 ohms per volt.
- Socket connections are shown as bottom views.
- Measured values are from socket pin to common negative.
- Line voltage maintained at 117 volts for voltage readings.
- Nominal tolerance of component values makes possible a variation of ±1.5% in voltage and resistance readings.
- All controls at minimum, proper output load connected.

FUNCTION SELECTOR SWITCH M3 SHOWN IN EUR "78" POSITION SWITCH SEQUENCE:  
1. EUR "78" 5. ORIG-CDL  
2. ORIG-LON 6. NART-B-TAPE  
3. ORIG-AES 7. TUNER  
4. RIAA-ORTHO 8. TAPE  
9. TV



RESISTANCE READINGS

ITEM	TUBE	Pin 1	Pin 2	Pin 3	Pin 4	Pin 5	Pin 6	Pin 7	Pin 8	Pin 9
V1	12AX7	† 335K	1Meg	2700Ω	0Ω	12Ω	† 335K	47K	2700Ω	6Ω
V2	12AX7	† 100K	120K	1500Ω	24Ω	12Ω	† 100K	3.3Meg	1500Ω	18Ω
V3	12AX7	† 100K	0Ω	1800Ω	24Ω	24Ω	† 100K	2.2Meg	1500Ω	24Ω
V4	6L6B	0Ω	24Ω	† 370Ω	† 3650Ω	330K	TP	24Ω	3000Ω	
V5	6L6B	0Ω	24Ω	† 340Ω	† 3650Ω	330K	TP	24Ω	3000Ω	
V6	5U4CA	NC	10K MIN	NC	35Ω	TP	40Ω	TP	10K MIN	

† MEASURED FROM PIN 2 OF V6.  
TP TIE POINT.  
NC NO CONNECTION.

H. H. SCOTT  
MODEL 99-C

TRADE NAME  
MANUFACTURER  
TYPE SET  
TUBES (S)  
POWER SUPPLY