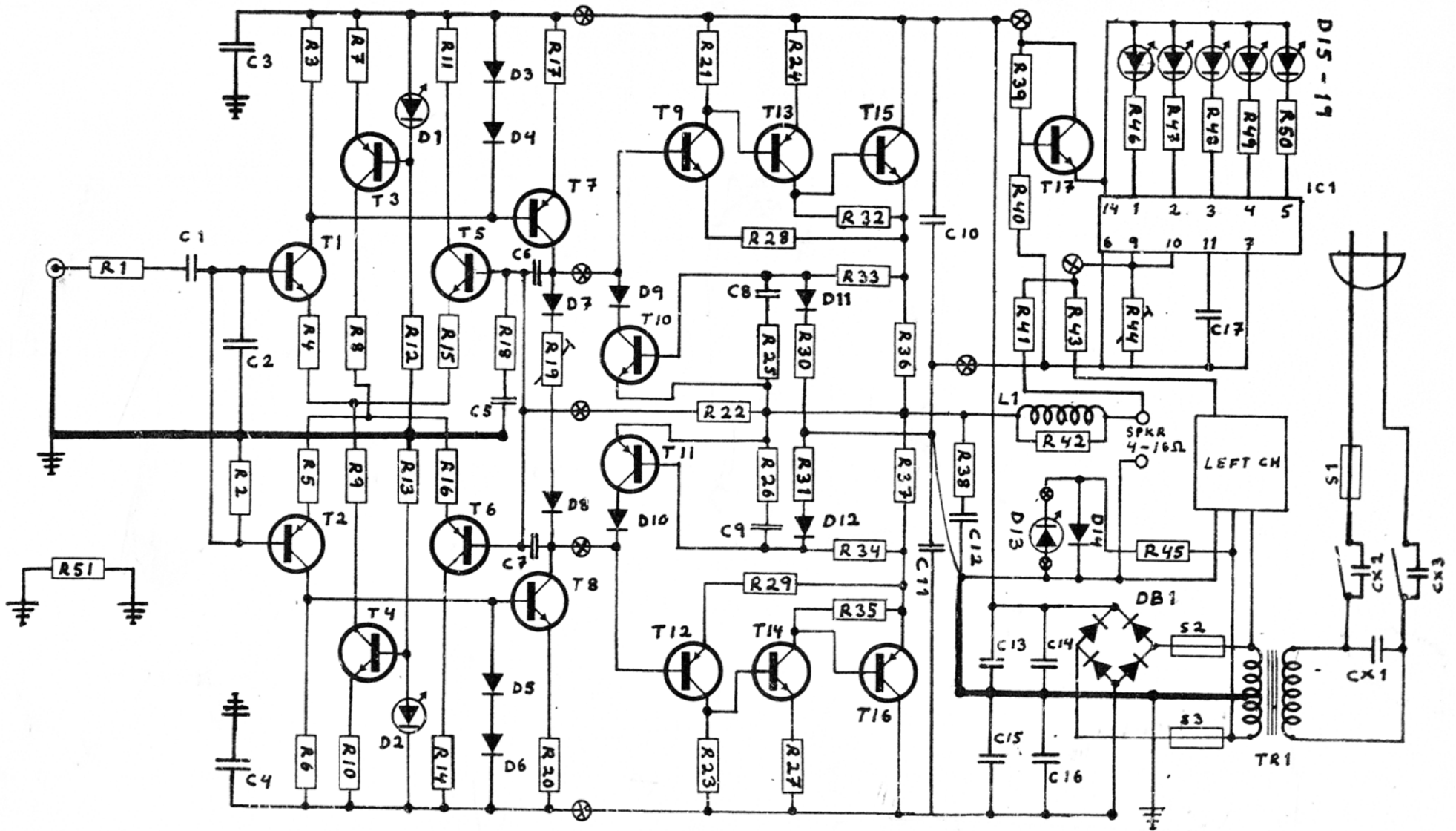


PA863 — Baskort

Peak level kort



KOMPONENTLISTA PA8

0,27 Ohm 4W	R36, R37
1 Ohm	R42
2 Ohm	R51
4,7 Ohm	R24, R27
10 Ohm 1W	R38
56 Ohm	R25, R26, R32, R35
68 Ohm	R4, R5, R15, R16, R17, R20
100 Ohm	R28, R29
270 Ohm	R33, R34
680 Ohm	R21, R23
1 Kohm	R7, R10, R18
1,2 Kohm	R46, R47, R48, R49, R50
1,8 Kohm 1W	R45
2,2 Kohm	R1, R3, R6, R8, R9, R11, R14, R30, R31
4,7 Kohm	R40
10 Kohm	R39
18 Kohm	R2, R12, R13, R22, R41, R43
50 Ohm pot	R19
1 Kohm pot	R44
10 µF/40V bip	C1
100 pF ker	C2
0,047 µF/250V	C3, C4, C12
220 µF/10V bip	C5
4,7 pF ker	C6, C7
0,47 µF/100V	C8, C9
47 µF/63V 1yt	C10, C11
2200 µF/50V	C13, C14, C15, C16
10 µF/25V	C17
0,047 µF/250V VDE	CX1
1000 pF/250V VDE	CX2, CX3
BC182B	T1, T4, T5
BC212E	T2, T3, T6
BC450	T7, T12
BC449	T8, T9
SCN	T10
SCP	T11
BD420	T13
BD419	T14
2N5882	T15
2N5880	T16
BFT40	T17
LED	D1, D2, D3, D15, D16, D17, D18, D19
1N4148	D4, D5, D6, D7, D8, D9, D10, D11, D12, D14
KRL04	DB1
SN16880	IC1
2A trög	S1
3,15A	S2, S3