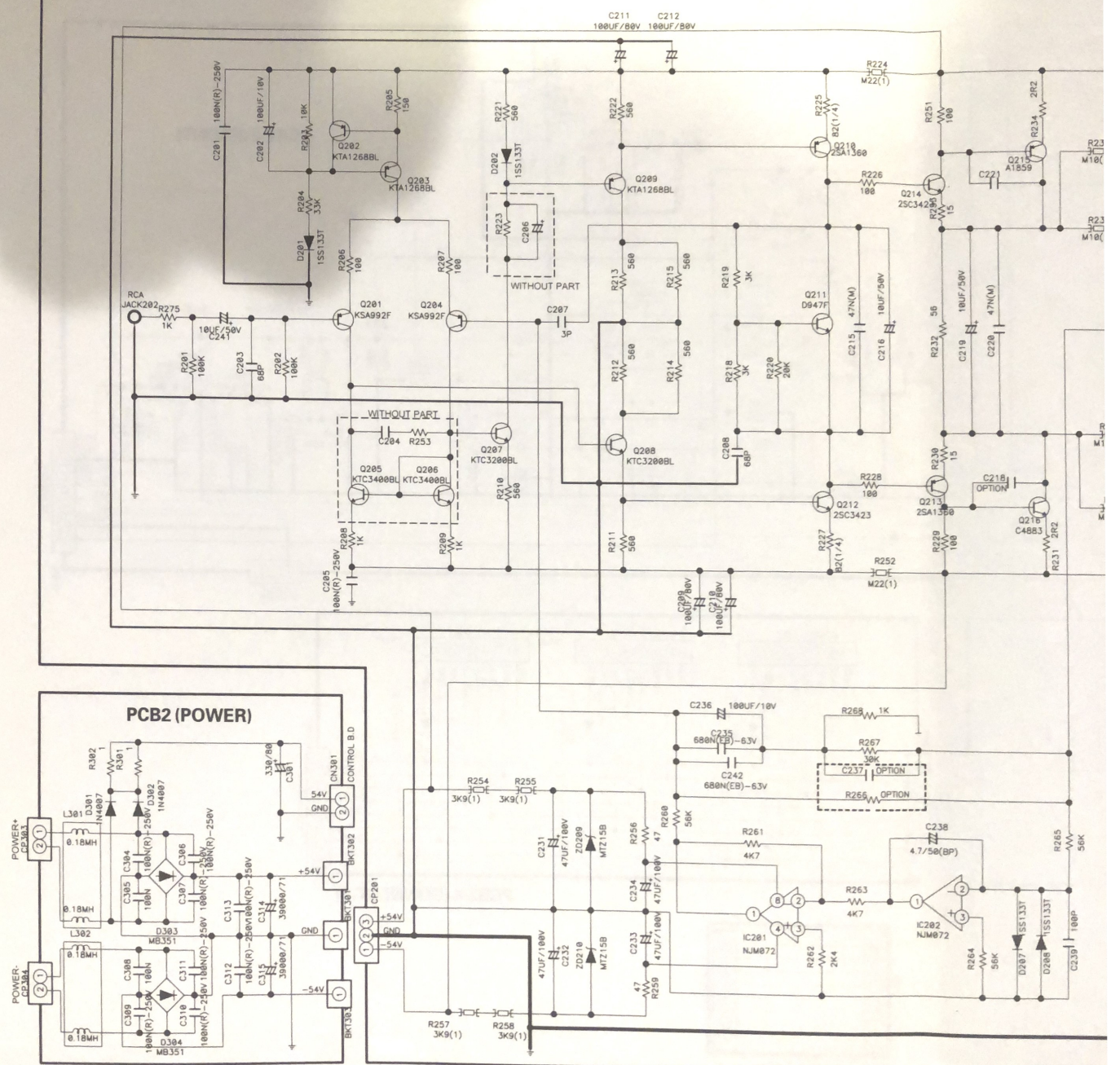
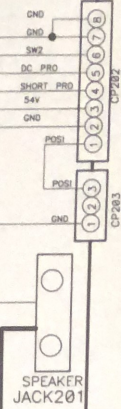
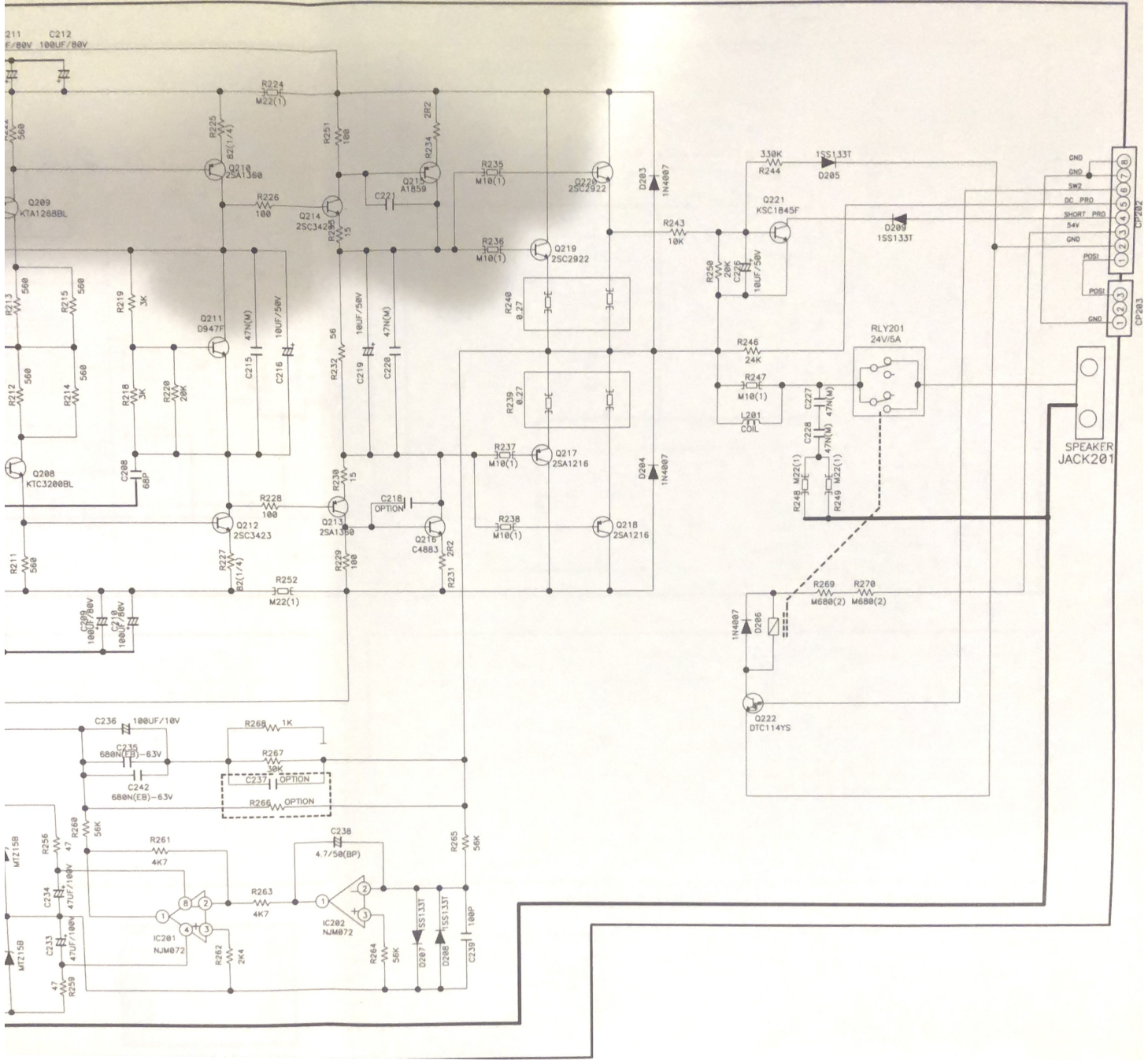
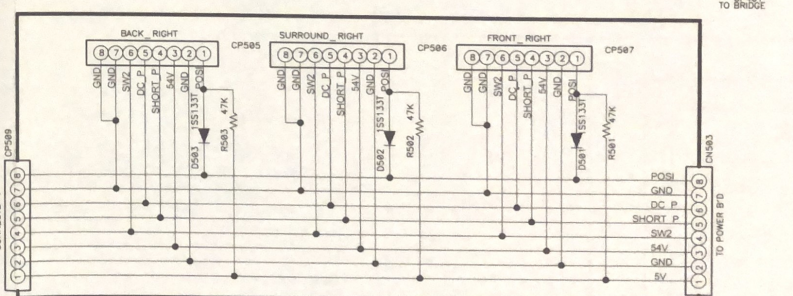
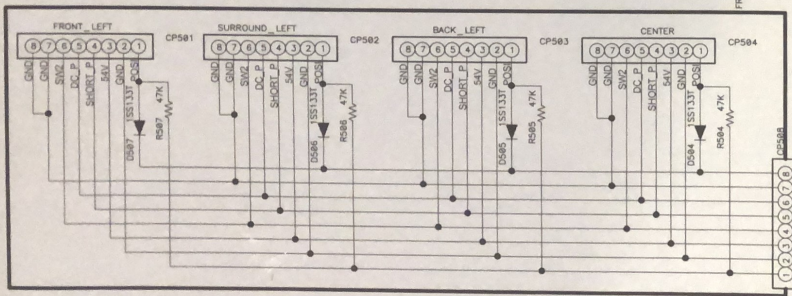
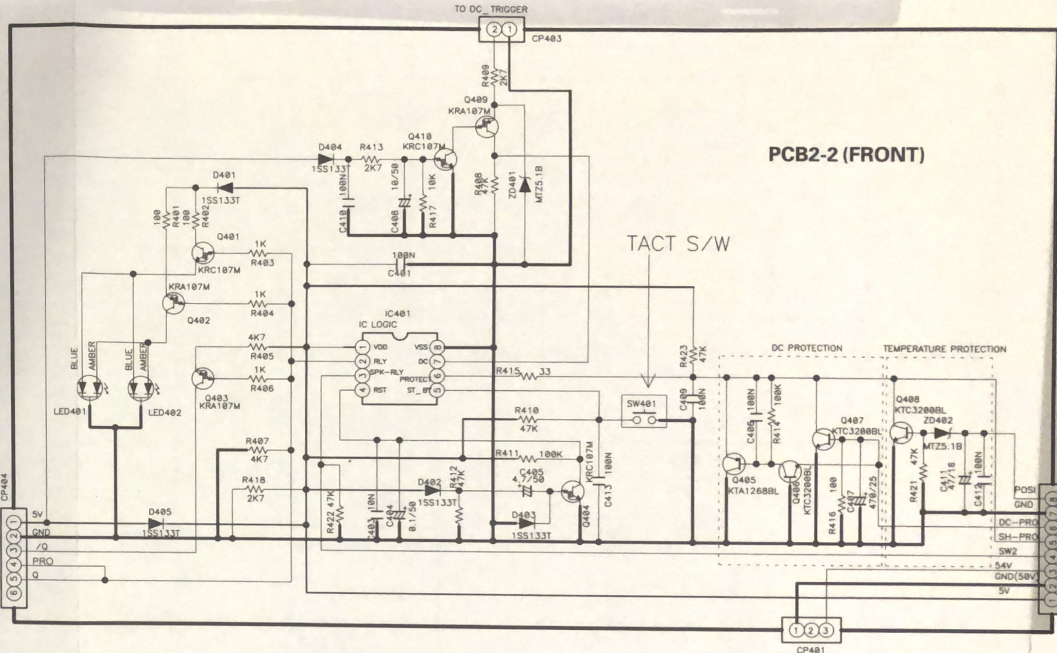
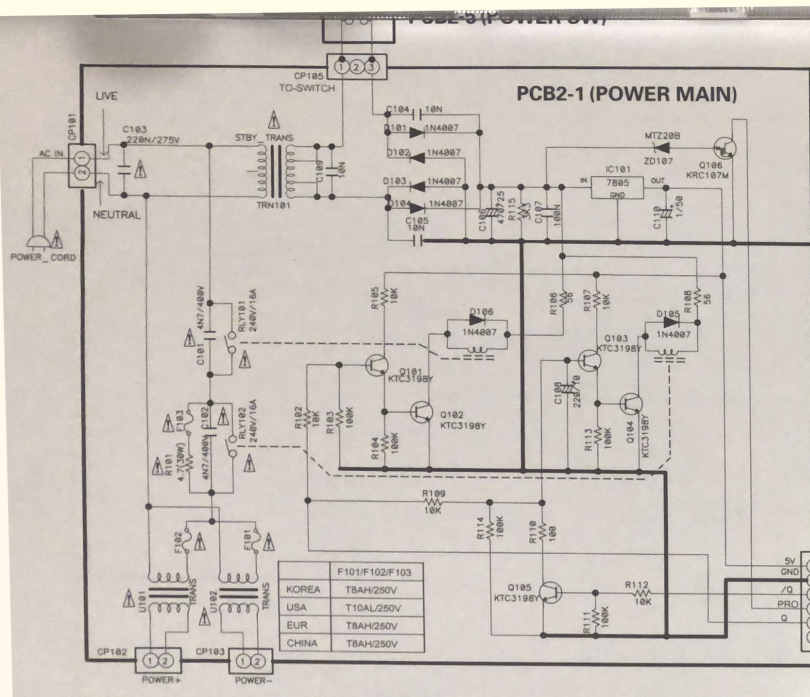


PCB1 (AMP)



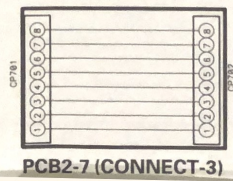
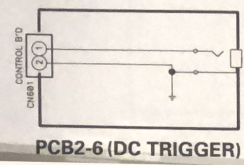
PCB1 (AMP)





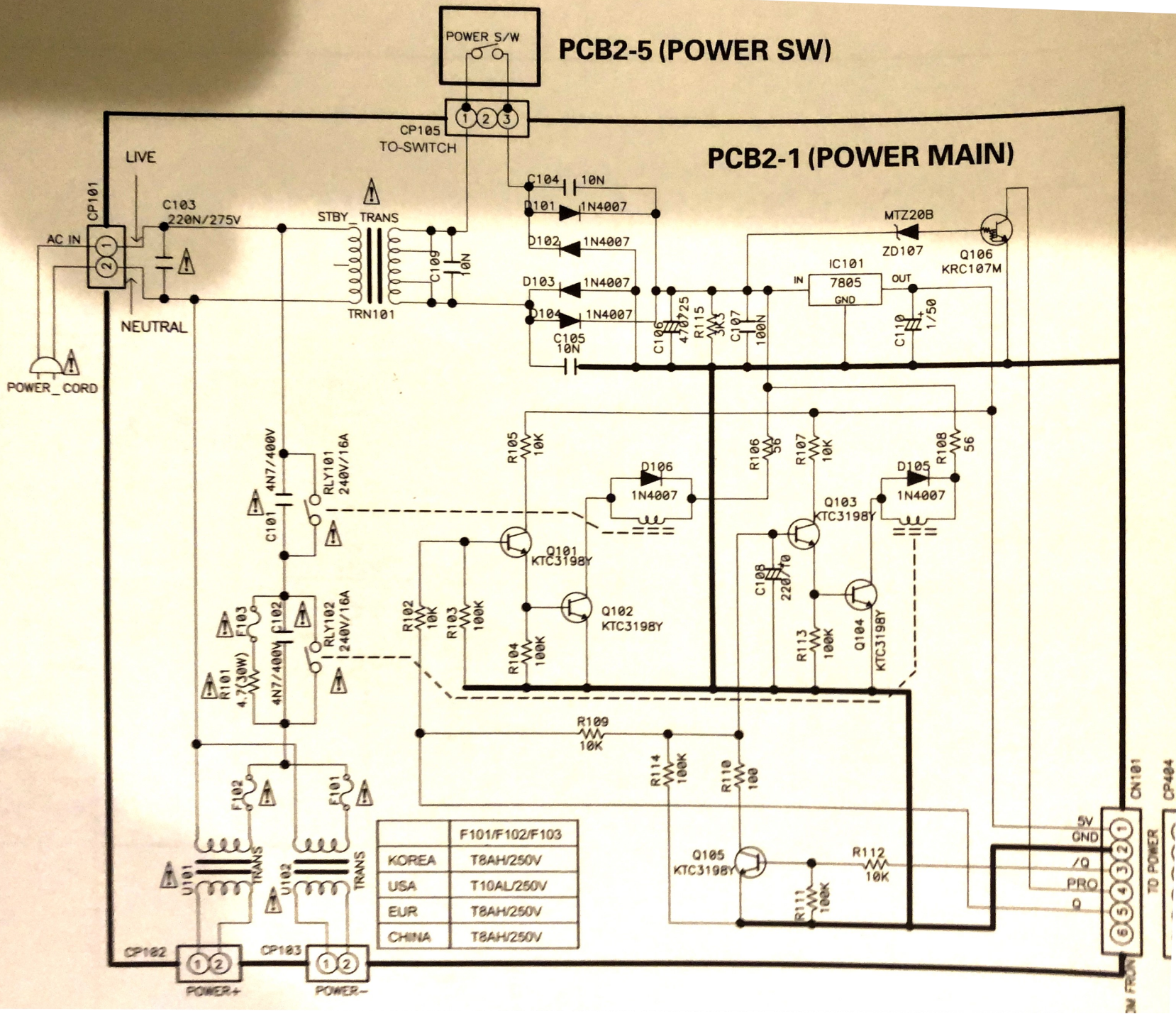
CAUTION
Safety precaution to be followed during servicing

- 1) Since those parts marked with are critical parts for safety, use only the one described in the parts list
- 2) Before returning the set to the customer make appropriate leakage current or resistance measurements to determine the exposed parts are properly insulated from the

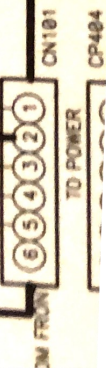
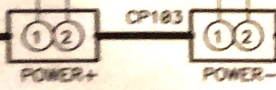


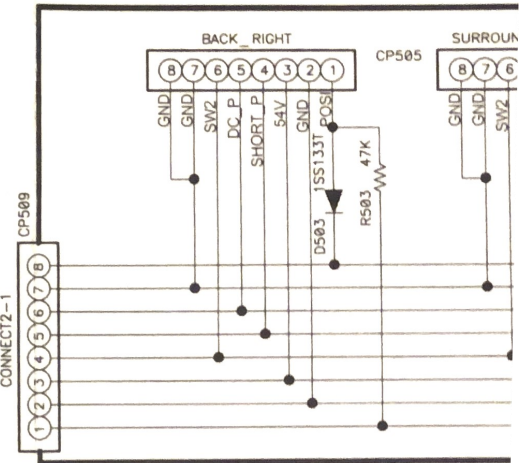
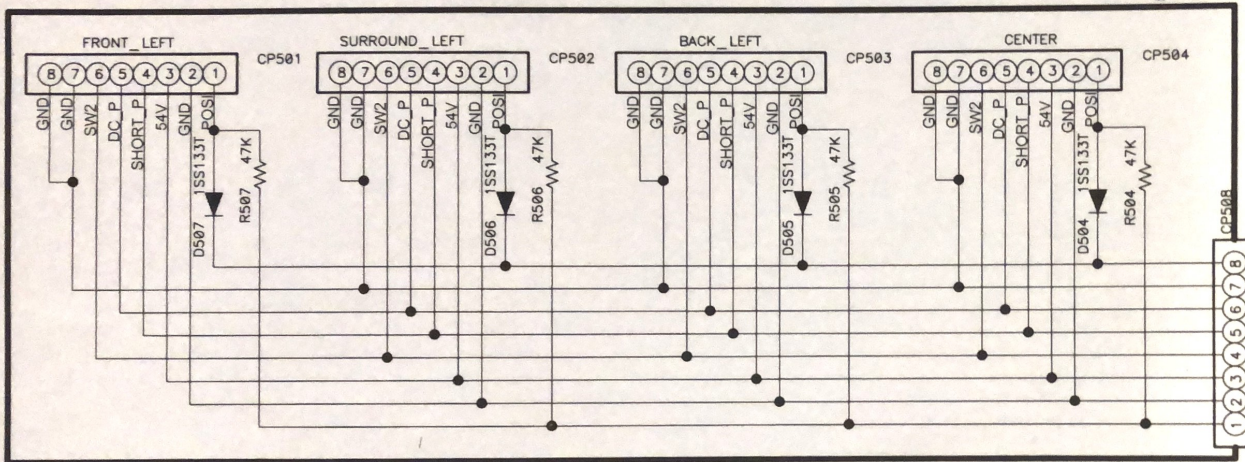
PCB2-5 (POWER SW)

PCB2-1 (POWER MAIN)



	F101/F102/F103
KOREA	T8AH/250V
USA	T10AL/250V
EUR	T8AH/250V
CHINA	T8AH/250V





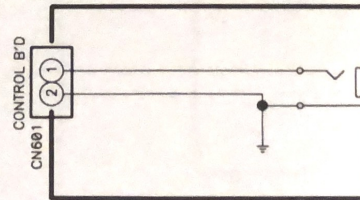
PCB2-3 (CONNECT-1)

CAUTION

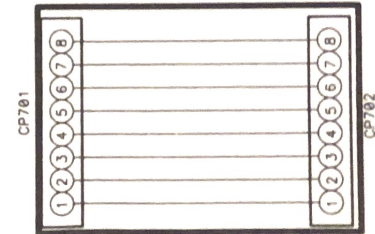
Safety precaution to be followed during servicing



- 1] Since those parts marked with are critical parts for safety, use only the one described in the parts list
- 2] Before returning the set to the customer make appropriate leakage current or resistance measurements to determine the exposed parts are properly insulated from the supply circuit.



PCB2-6 (DC TRIGGER)



PCB2-7 (CONNECT-3)