

SERVICE MANUAL

DRUCK: Schulungsdienst Lange Berlin

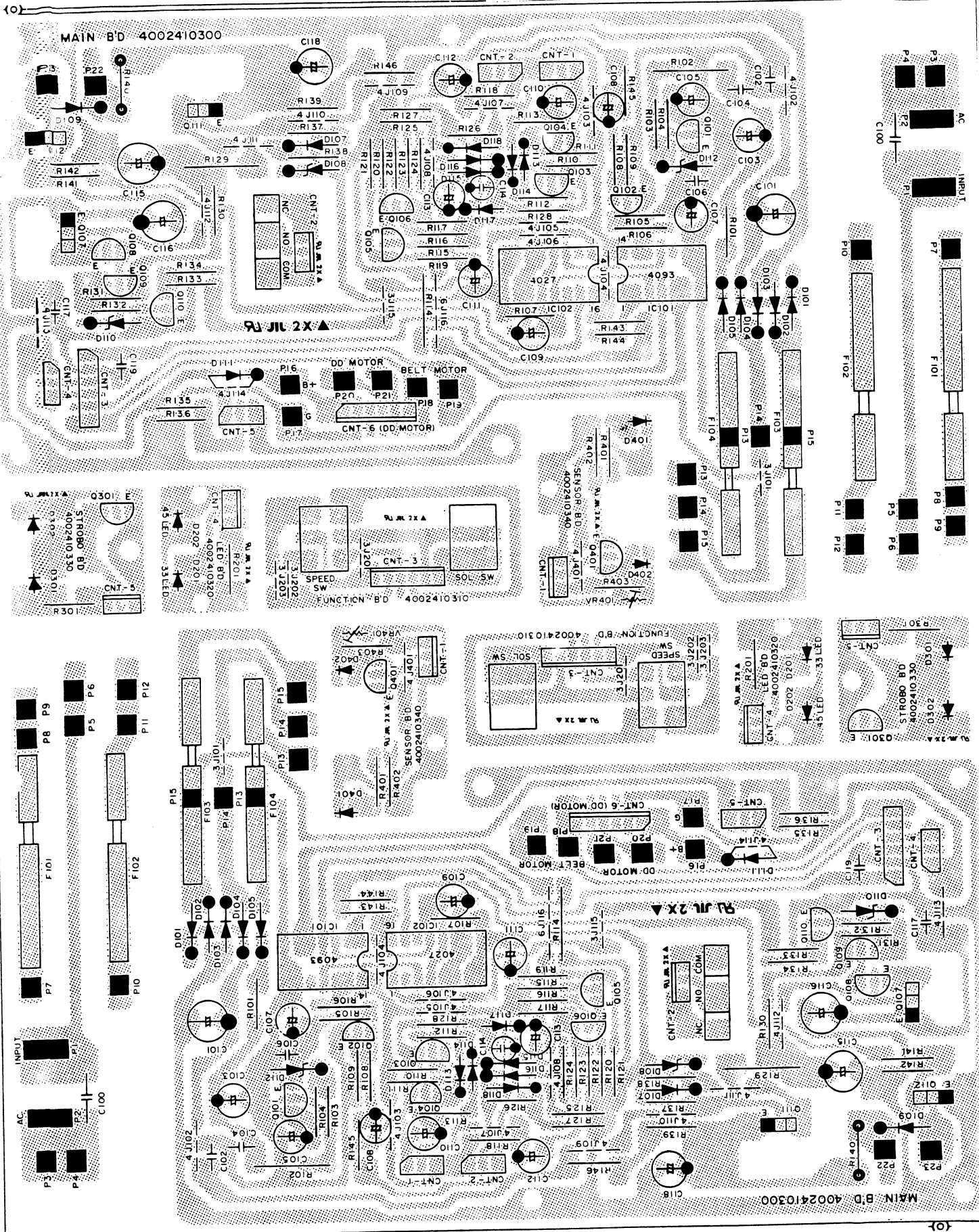
PM-1270

PLATTENSPIELER

**INKEL EUROPE GMBH
FRANKFURTER STRASSE 13-15
6236 ESCHBORN / W-GERMANY
TEL : 06196 / 485 45
FAX : 06196 / 48 20 01**

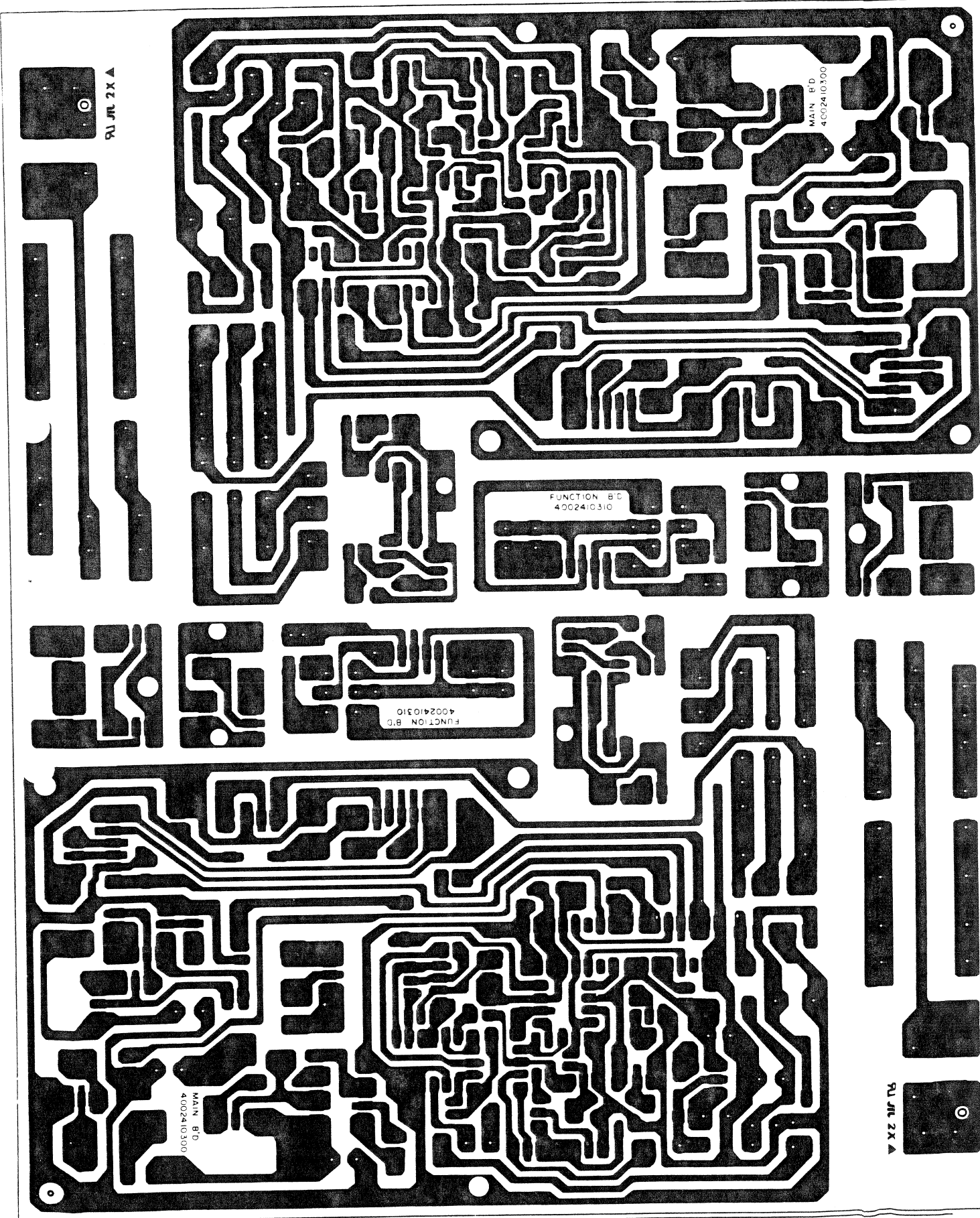


SHERWOOD PM-1270 PLATTENSPIELER



SHERWOOD
PM-1270
PLATTENSPIELER

101



MAIN B'D
4002410300

MAIN B'D
4002410300

FUNCTION B'D
4002410310

FUNCTION B'D
4002410310

MAIN B'D
4002410300

MAIN B'D
4002410300

101

SHERWOOD PM-1270 PLATTENSPIELER

To service personnel

Make sure that only replacement part recommended by the manufacturer should be used when parts marked " Δ " in schematic diagram are exchanged. Never fail to make leakage-current or resistance measurements before returning the appliance to the customer so as to make sure that exposed parts are acceptably insulated from the supply circuit.

Ref. No.	PART No.	DESCRIPTION				POSITION
Main P.C. Board 4002410300						
• Integrated Circuits						
IC101	2138001103	IC GD 4027B				C2
IC102	2138001108	IC GD 4093B				C2
• Transistors						
Q101	2028406120	NPN KTC 2235Y				C1
Q102~Q104	2208606104	NPN KTC 1815Y				C1
Q105	2208606104	NPN KTC 1815Y				B2
Q106	2208606104	NPN KTC 1815Y				B1
Q107	2028406131	NPN KTD 1406				A1/2
Q108	2208606104	NPN KTC 1815Y				A2
Q109	2208606105	PNP KTA 1015Y				A2
Q110	2208606104	NPN KTC 1815Y				A2
Q111	2028406131	NPN KTD 1406				A1
Q112	2058622900	NPN 2SD 947				A1
• Diodes						
D101	2058106100	Rectifier	1N4002	100V/1A	Silicon	D2
D102	2058106100	Rectifier	1N4002	100V/1A	Silicon	D2
D103	2058106100	Rectifier	1N4002	100V/1A	Silicon	D2
D104	2058106100	Rectifier	1N4002	100V/1A	Silicon	D2
D105	2058106100	Rectifier	1N4002	100V/1A	Silicon	C2
D106		Not used				
D107	2058106100	Rectifier	1N4002	100V/1A	Silicon	B1
D108	2058599122	Zener	DZ-12BM	12V/500mW	Silicon	B1
D109	2058106100	Rectifier	1N4002	100V/1A	Silicon	A1
D110	2058599108	Zener	DZ-13BM	13V/500mW	Silicon	A2
D111	2058106100	Rectifier	1N4002	100V/1A	Silicon	A/B2
D112	2058599107	Zener	DZ-9.1BM	9.1V/500mW	Silicon	C1
D113	2058322101	Switching	1N4148 (M)	60V/500mW	Silicon	C1
D114	2058322101	Switching	1N4148 (M)	60V/500mW	Silicon	C1
D115	2058322101	Switching	1N4148 (M)	60V/500mW	Silicon	B/C1
D116	2058322101	Switching	1N4148 (M)	60V/500mW	Silicon	B/C1
D117	2058322101	Switching	1N4148 (M)	60V/500mW	Silicon	B/C1
D118	2058322101	Switching	1N4148 (M)	60V/500mW	Silicon	B/C1

• Resistors (All Resistor are Carbon Film 1/4W J Type unless otherwise noted.)

R101	3069109270	1 ohm	
R102	3039330472	HATEL OXIDE	33 ohm 1W
R103	3069122270	1.2k ohm	
R104	3069471270	470 ohm	
R105	3069473270	47k ohm	
R106	3069122270	1.2k ohm	
R107	3069473270	47k ohm	
R108	3069122270	1.2k ohm	
R109	3069473270	47k ohm	
R110, R111	3069472270	1.7k ohm	
R112, R113	3069103270	10k ohm	
R114	3069472270	4.7k ohm	
R115	3069103270	10k ohm	
R116	3069223270	22k ohm	
R117	3069224270	220k ohm	
R118	3069823270	82k ohm	
R119	3069223270	22k ohm	
R120	3069100270	10 ohm	
R121	3069104270	100k ohm	
R122	3069224270	220k ohm	
R123	3069222270	2.2k ohm	
R124, R124	3069103270	10k ohm	
R126	3069472270	4.7k ohm	
R127, R128	3069103270	10k ohm	
R129	3039100472	HATEL OXIDE	10 ohm 1W
R130	3069222270	2.2k ohm	
R131	3069473270	47k ohm	
R132, R133	3069472270	4.7k ohm	
R134	3069473270	47k ohm	
R135	3069103270	10k ohm	
R136	3069472270	4.7k ohm	
R137	3069122270	1.2k ohm	
R138	3069473270	47k ohm	
R139	3069122270	1.2k ohm	
R140	3069109270	1 ohm	
R141	3069472270	4.7k ohm	
R142, R143	3069473270	47k ohm	
R144~R146	3069122270	1.2k ohm	

• CAPACITORS

C100	3549472407	Ceramic	0.0047 μ F	400V		J
C101	3409210261	Electrolytic	1000 μ F	35V	SA	J
C102	3579473530	Ceramic	0.047 μ F	50V		J
C103	3409210241	Electrolytic	1000 μ F	25V	SA	J
C104	3579473530	Ceramic	0.047 μ F	50V		J
C105	3479247941	Electrolytic	4.7 μ F	25V	SA	M
C106	3579223530	Ceramic	0.022 μ F	50V		J
C107	3409210131	Electrolytic	100 μ F	16V	SA	M
C108	3479247941	Electrolytic	4.7 μ F	25V	SA	M
C109	3479247941	Electrolytic	4.7 μ F	25V	SA	M
C110	3479210061	Electrolytic	10 μ F	35V	SA	M
C111	3479233031	Electrolytic	330 μ F	16V	SA	M
C112	3479247031	Electrolytic	47 μ F	16V	SA	M
C113	3479247941	Electrolytic	4.7 μ F	25V	SA	M
C114	3479210061	Electrolytic	10 μ F	35V	SA	M
C115	3409222161	Electrolytic	220 μ F	35V	SA	M
C116	3479233031	Electrolytic	330 μ F	16V	SA	M
C117	3579223530	Ceramic	0.022 μ F	50V		J
C118	3409210161	Electrolytic	100 μ F	35V	SA	M
C119	3579223530	Ceramic	0.022 μ F	50V		J

• Others

CNT-1	4428505710	Connector Plug 3P, 5267-03A
CNT-2	4428505710	Connector Plug 3P, 5267-03A
CNT-3	4428505710	Connector Plug 3P, 5267-03A
CNT-4	4428505810	Connector Plug 6P, 5267-06A
CNT-5	4428505710	Connector Plug 3P, 5267-03A
	7505200720	Heatsink Reg. TR
	7505201110	Heatsink Reg. TR

Switch P.C. Board 4002410350

• Switch

Micro sw	4668000510	#JMS-012SA
----------	------------	------------

Function P.C. Board 4002410310

PUSH	4628051410	2 Key Switch
-CNT-3	4355029720	Connector Ass'y 6P, 5395,5264-0620, 200mm

LED P.C. Board 4002410320

• Diodes

D201	2308220136	LED, SLB 27VR3HL
D202	2308220137	LED, SLB 27MG3HL

• Resistor

R201	3069681270	680 ohm
------	------------	---------

• Others

CNT-4	4355029420	Connector Ass'y 3P, 5395,5264-0320, 200mm
-------	------------	---

Strobe P.C. Board 4002410330

• Transistor

Q301	2208606104	NPN KTC 1815Y
------	------------	---------------

• Resistor

R301	3069681270	680 ohm
------	------------	---------

• Diodes

D301,D302	2308220109	LED, SUR 54URC3
-----------	------------	-----------------

• Others

CNT-5	4355029420	Connector Ass'y 3P, 5395,5264-0320, 200mm
-------	------------	---

Motor Control P.C. Board 4003410200

• Semi-Fixed Variable Resistors

VR 1,VR 2	3248010325	RES SEMI B-5K, Speed Adjustment
	5558101730	DC Motor, DC12V CW

Sensor P.C. Board 4002410340

• Transistor

Q401	2208606104	NPN KTC 1815Y
------	------------	---------------

• Diodes

D401	2308000104	LED, DL-1LRH
D402	2408001110	Photo Diode, SP-1ML

• Resistors

R401	3069681270	1k ohm
R402	3069332270	3.3k ohm
R403	3069471270	470 ohm
VR401	3248310225	RES SEMI, B-1K

• Others

CNT-1	4355029410	Connector Ass'y 3P, 5395,5264-0312, 120mm
-------	------------	---

Phono P.C. Board 4005411020

• Others

4328200610	Cord RCA
6163101320	Cover Shield
6518000110	Cord Stopper

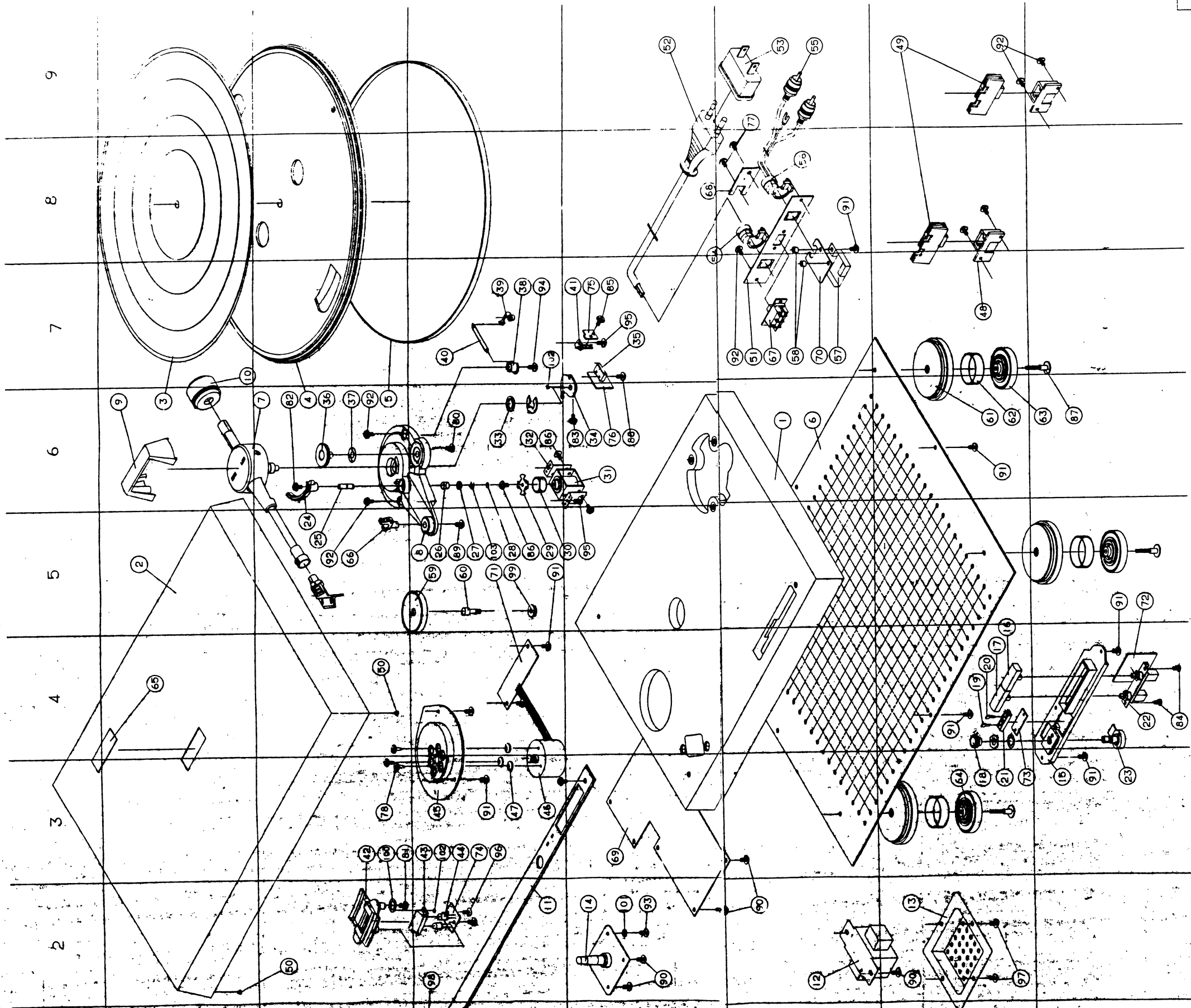
Miscellaneous

SOL 1	5528000510	Solenoid, G-836, DC12V
Transformer	2828056107	Power Trans, AC 120V Only, For UL/CSA Version
	2828064607	Power Trans, AC 220V Only, For EUROPE Version
	4308001410	AC Power Cord, 120V Only
	4308000430	AC Power Cord, KEMA 220V Only
	6518000710	Stopper Cord, SR-4H-4

Exploded View Parts List PM-1270

Ref. No.	Part No.	Description	Q'ty	Position
1	046121602612	Cabinet Wooden	1	F6
2	048552000112	Dust Cover	1	B5
3	7182000320	Rubber Sheet	1	B6
4	7122200230	Platter Aluminium	1	C6
5	7165000820	Belt Rubber	1	C6
6	6123406310	Board Bottom	1	F6
7	5038002510	Ass'y Tone Arm	1	C6
8	046032300211	Base Tone Arm	1	D5
9	048583002311	Cover Arm	1	B6
10	045035200322	Weight Main	1	C6
11	048603000612	Plate Aluminium	1	D2
12	2828064607	Power Transformer	1	F2
13	6125401410	Cover Trans	1	G2
14	057115001510	Ass'y Spindle	1	E2
15	6023600320	Body Front	1	H3
16	048545052414	Button Push Cueing	1	G4
17	048545052413	Button Push (Speed)	1	G4
18	8545054620	Knob Adjust	1	G3
19	2308220136	LED, SLB 27VR3HL	1	G4
20	2308220137	LED, SLB 27MG3HL	1	G4
21	6023600321	Holder LED	1	G3
22	4628051410	Push Switch	1	H4
23	3208050210	Volume Rotary	1	H3
24	7143103111	Arm Elevation	1	C5
25	7005005810	Shaft Arm	1	C5
26	6555001510	Spring Arm	1	D5
27	6165106510	Cap Litter	1	D5
28	6715015310	Cushion Rubber	1	D5
29	6505085110	Bracket Spring	1	D5
30	8339030011	Spring	1	E5
31	5528000510	Solenoid, G-836, DC12V	1	E6
32	6505085110	Bracket Solenoid	2	D6
33	6555801010	Washer Rubber	1	D6
34	7143103210	Lever Stop	1	E6
35	4668000510	Micro Switch	1	E7
36	048545005313	Knob Antiskating	1	C6
37	6745000110	Washer Wave	1	C6
38	7145000810	Cam Antiskating	1	D7
39	7145000710	Lever Antiskating	1	D7
40	6555304610	Spring Antiskating	1	D7
41	6505085310	Bracket Sensor	1	E7
42	8583002110	Cover Lamp	1	C3
43	8552000320	Mirror	1	D3
44	2308220109	LED, SUR 54URC3	2	D3
45	6023600410	Cover Lamp	1	D3
46	5558102810	Motor DC 12V, CW	1	D3
47	6715007910	Rubber Vibration	3	D3
48	6063001610	Holder Hinge	2	G7
49	6548001220	Ass'y Hinge	2	G9
50	6715002510	Cushion D/Cover	2	C2/4
51	046505085531	Bracket Cord	1	F7
52	4308000430	AC Power Cord	1	E9
53		Not used	1	E9

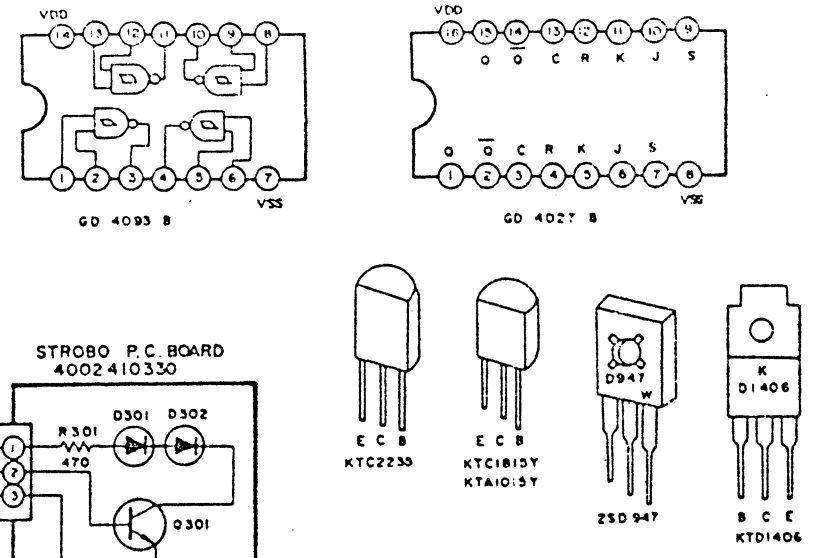
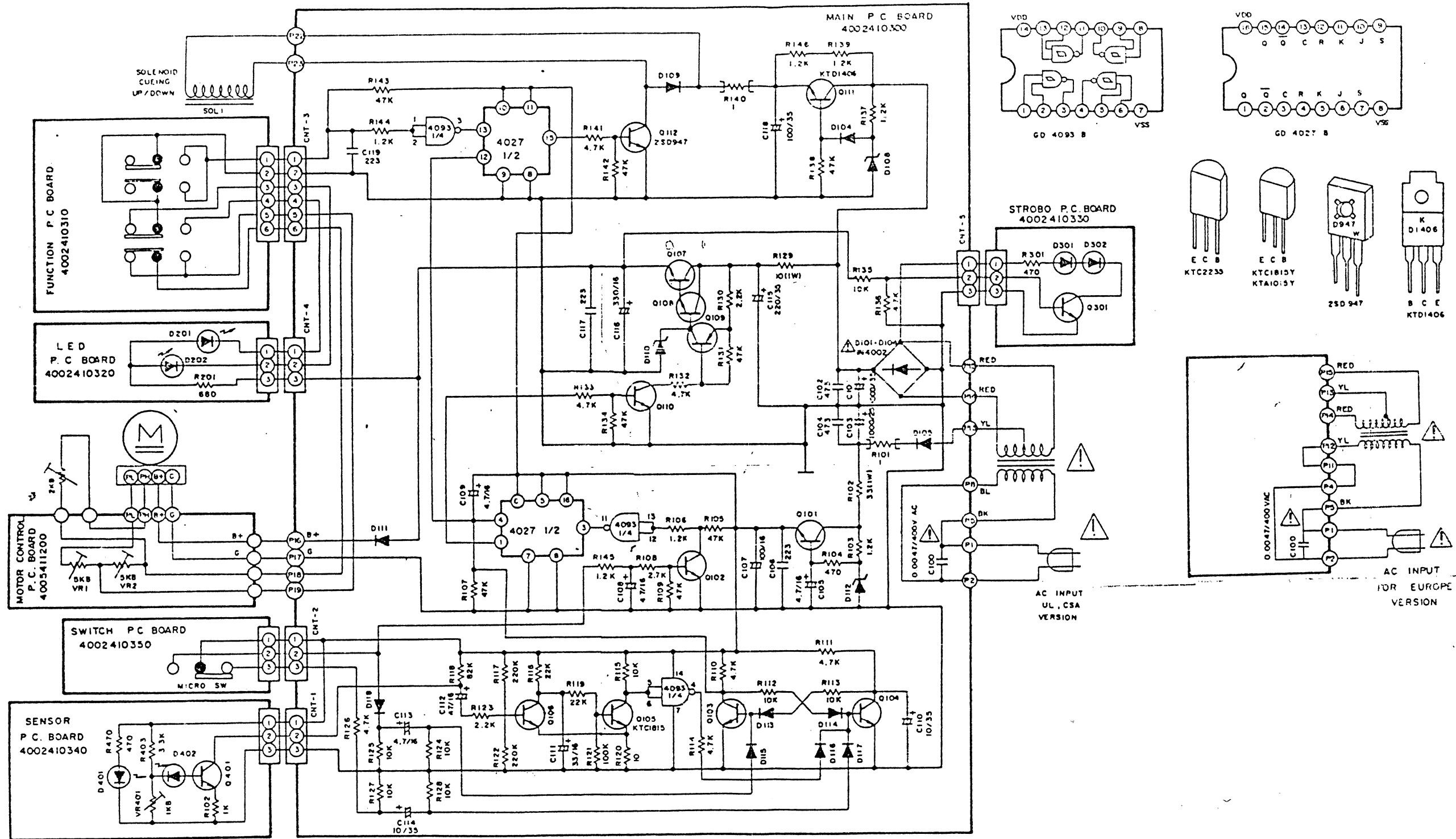
차	최소구분	I	II	III	년	월	일	기호	기	사
공	0.3-1	-0.10	-0.15	-0.2						
	1-3	-0.15	-0.20	-0.3						
	3-6	-0.10	-0.20	-0.3						
공	6-18	-0.15	-0.25	-0.4						
	18-50	-0.20	-0.30	-0.5						
차	50-120	-0.25	-0.35	-0.6						
	120-250	-0.25	-0.45	-0.7						
	250-600	-0.25	-0.50	-1.2						



**SHERWOOD
PM-1270
PLATTENSPIELER**

번호	부품명	수량	규격	처리	비고
거용	PM-1270			출명	PM-1270 S-1-T
제조업자	제원			도면	
검정					

Schematic Diagram



NOTE

KTC 2235	Q101	DZ - 13BM	D110
KTC1815Y	Q102, 103, 104, 105	DZ - 9.1BM	D112
	Q106, 108, 110, 301, 401	SLB27UR3	D201
KTA1015Y	Q109	SLB27MG3	D202
KTD1406	Q107, 111	DL - 1LRN	D401
IN4002	D101, 102, 103, 104, 105, 107, 109, 111	SP - 1ML	D402
IN4148	D113, 114, 115, 116, 117, 118		
DZ - 12BM	D108		

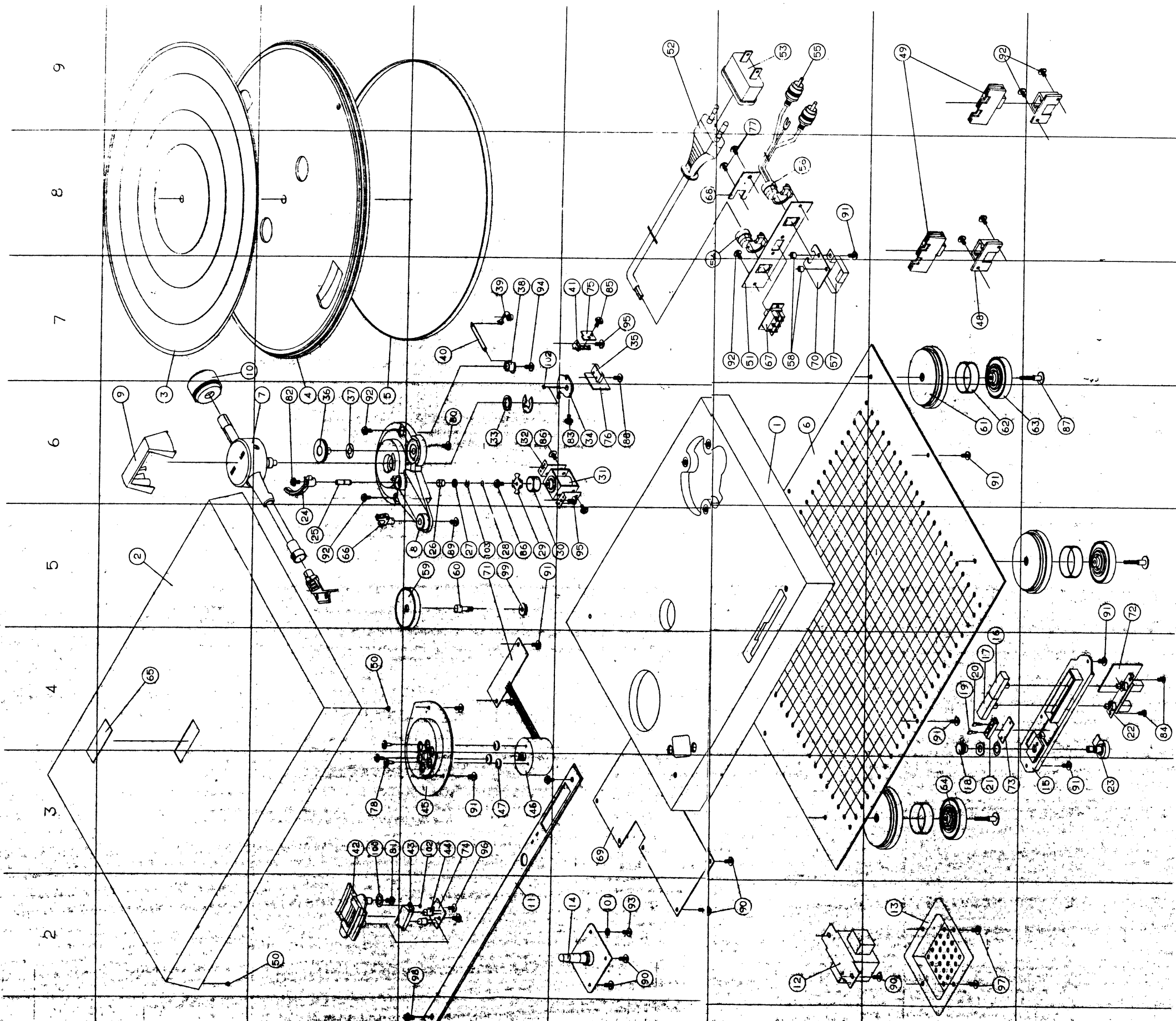
NOTE 1 RESISTANCE VALUES ARE INDICATED IN OHMS UNLESS OTHERWISE SPECIFIED
(K=1,000 M=1,000,000)

2. CAPACITANCE VALUES ARE SHOWN IN MICROFARADS UNLESS OTHERWISE NOTED

3. THE ⚠ MARK FOUND ON SOME COMPONENT PARTS INDICATES THE IMPORTANCE OF THE SAFETY OF THE PARTS
THEREFORE, WHEN REPLACING, BE SURE TO USE PARTS OF IDENTICAL DESIGNATION

SHERWOOD
PM-1270
PLATTENSPIELER

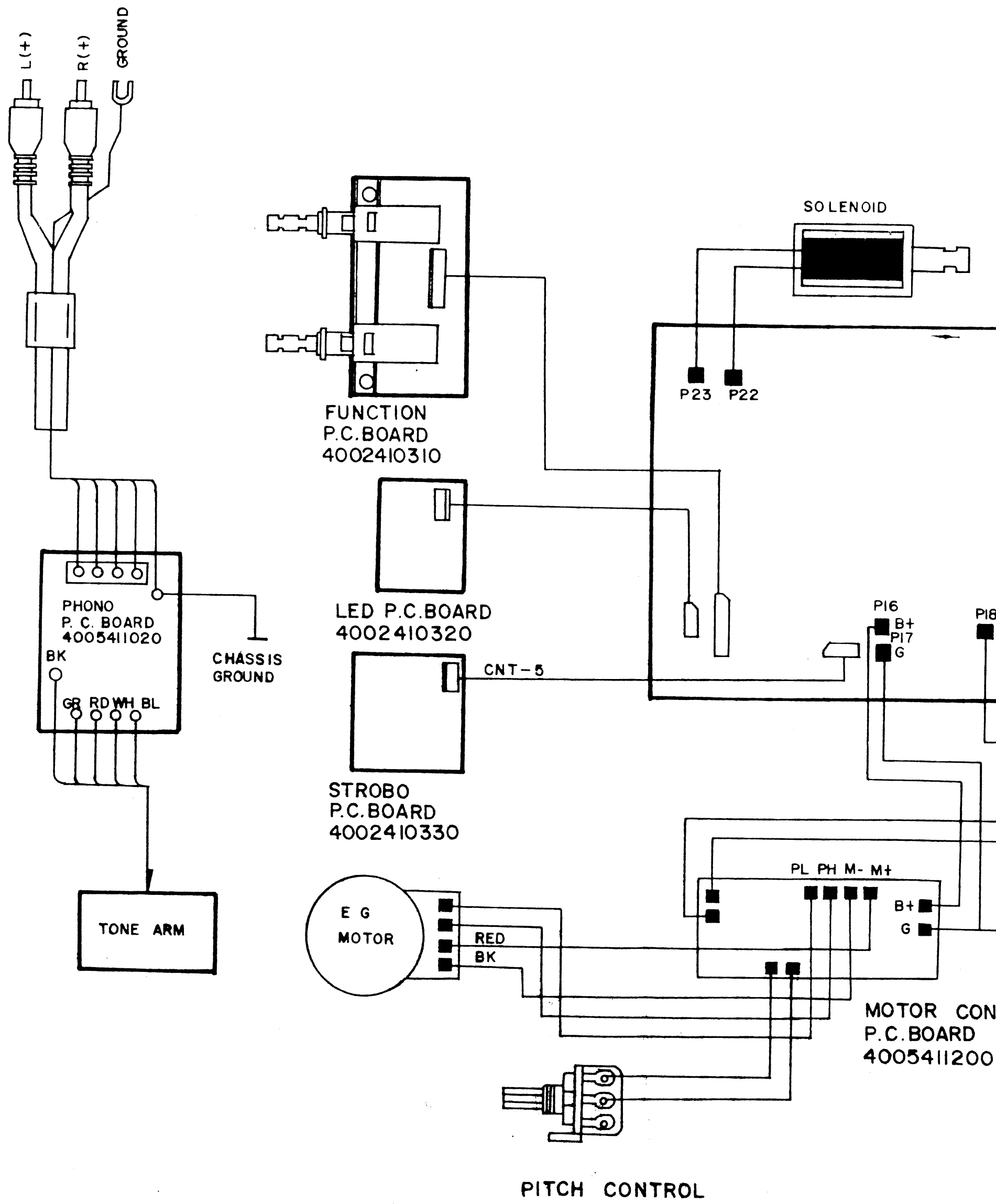
차	최수구분	I	II	III	년	월	일	기호	기	사
	0.3-1	-0.10	-0.15	-0.2						
	1-3	-0.10	-0.20	-0.3						
	3-6	-0.10	-0.20	-0.3						
	6-18	-0.15	-0.25	-0.4						
	18-50	-0.20	-0.30	-0.5						
	50-120	-0.25	-0.40	-0.6						
	120-250	-0.25	-0.40	-0.6						
	250-600	-0.25	-0.40	-0.7						



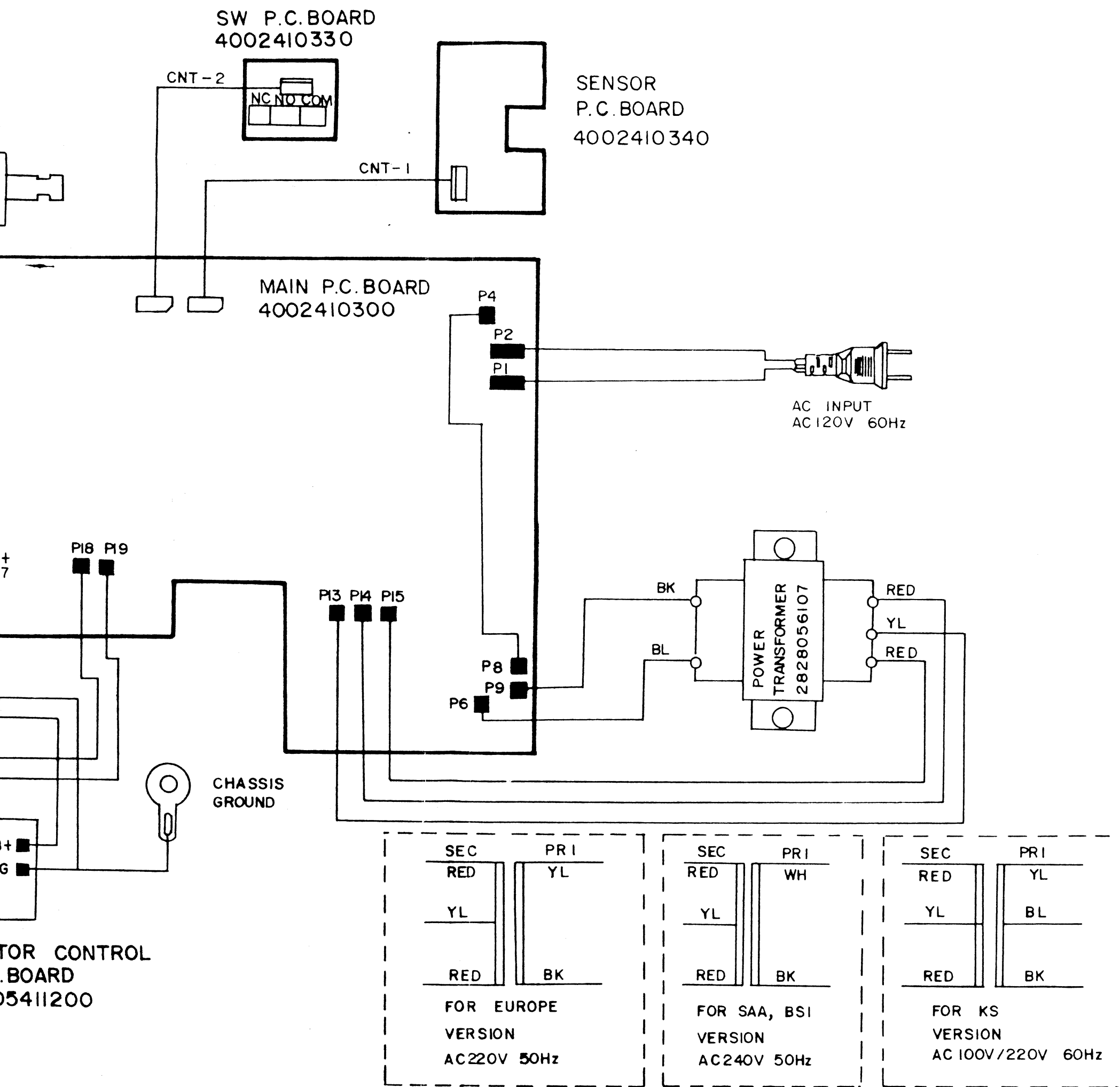
SHERWOOD
PM-1270
PLATTENSPIELER

번호	부품명	수량	규격	처리	비고
기호	PM-1270	제형		출명	PM-1270 S-H-T
제조업체	제조회사	제리		도번	
출력					

WIRING DIA



DIAGRAM



EQUIPMENT	TURN - TABLE		MODEL	PM-1270
DRAW	CHECKED	APPROVED	DATE	DRAWING NO
			88. 9. 2	W-9870026

54	6518000111	Storpper Cord	1	E7
55	4328200610	Cord Phone	1	F9
56	6518000710	Storpper Cord	1	F8
57	6163101320	Shield Cap	1	F7
58	6705000720	Spacer	2	F7
59	7063200120	Adaptor EP	1	D5
60	7005006010	Shaft EP	1	D5
61	6023600510	Cover Foot	4	G6
62	6555004130	Spring	4	G6
63	6715004110	Foot	3	H6
64	6715004110	Foot	1	G3
65	048635001223	Plater Name	1	B4
66	6513001111	Holder Arm	1	C5
67,68		Not used		
69	4002410300	Main P.C. Board	1	E3
70	4005411020	Phone P.C. Board	1	F7
71	4005411200	Motor P.C. Board	1	D5
72	4002410310	Function P.C. Board	1	H5
73	4002410320	LED P.C. Board	1	G3
74	4002410330	Strobo P.C. Board	1	D3
75	4002410340	Sensor P.C. Board	1	E7
76	4002410350	Switch P.C. Board	1	E6
77		Not used		
78	8095000810	Screw Shoulder	3	C3
79		Not used		
80	8119220064	Screw PT 2 x 6 N	2	D6
81	8159230081	Screw #2 WPTC 3 x 8 Y	2	C3
82	8028130103	Screw FM 3 x 10 B	1	C6
83	8119430081	Screw SAM 3 x 8 Y	1	E6
84	8129230081	Screw #2 FTC 3 x 8 Y	2	H4
85	8129330081	Screw #3 FTC 3 x 8 Y	1	E7
86	8129430051	Screw FS 3 x 5 Y	1	D5
87	8155000360	Screw Shoulder	4	H6
88	8155000810	Screw Special	1	E6
89	8159130081	Screw #1 WPTC 3 x 8 Y	1	D5
90	8159130121	Screw #1 WPTC 3 x 12 Y	7	G2, F2, E2
91	8159130151	Screw #1 WPTC 3 x 15 Y	12	G4, H5
92	8159130153	Screw #1 WPTC 3 x 15 B	7	G0, C5, /6
93	8159130159	Screw #1 WPTC 3 x 15 Sn	1	E2
94	8159230061	Screw #2 WPTC 3 x 6 Y	1	D7
95	8159230081	Screw #2 WPTC 3 x 8 Y	1	E7
96	8159230101	Screw #2 WPTC 3 x 10 Y	2	D3
97	8159430061	Screw WPS 3 x 6 Y	4	G2
98	8185000113	Screw Special	2	D2
99	8209540011	Nut Flange M4 Y	1	D5
100	8305001810	Washer Plan	2	C3
101	8319130011	Washer Spring	1	E2
102	8335200110	C-S Ring	2	D3
103	8339030011	Washer E-Ring	1	D5

 **Sherwood**