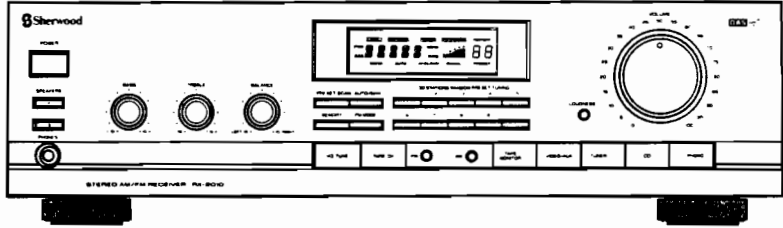


SERVICE MANUAL

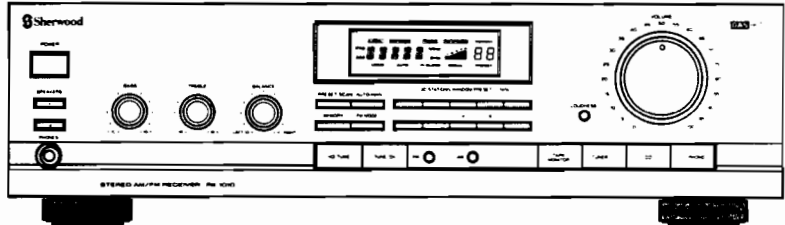
RX-2010

AM/FM
STEREO RECEIVER



RX-1010

AM/FM
STEREO RECEIVER



■ CONTENTS

Safety Precaution	2
Specifications	3
Block Diagram	9
Alignment Procedures	11
P.C. Boards (Top & Bottom Views)	15

Wiring Diagram	21
Exploded View (Cabinet & Chassis)	23
Electrical Parts List	25
Mechanical Parts List	30
IC Lead Identification and Internal Diagram	32
Schematic Diagram	Separate Sheet



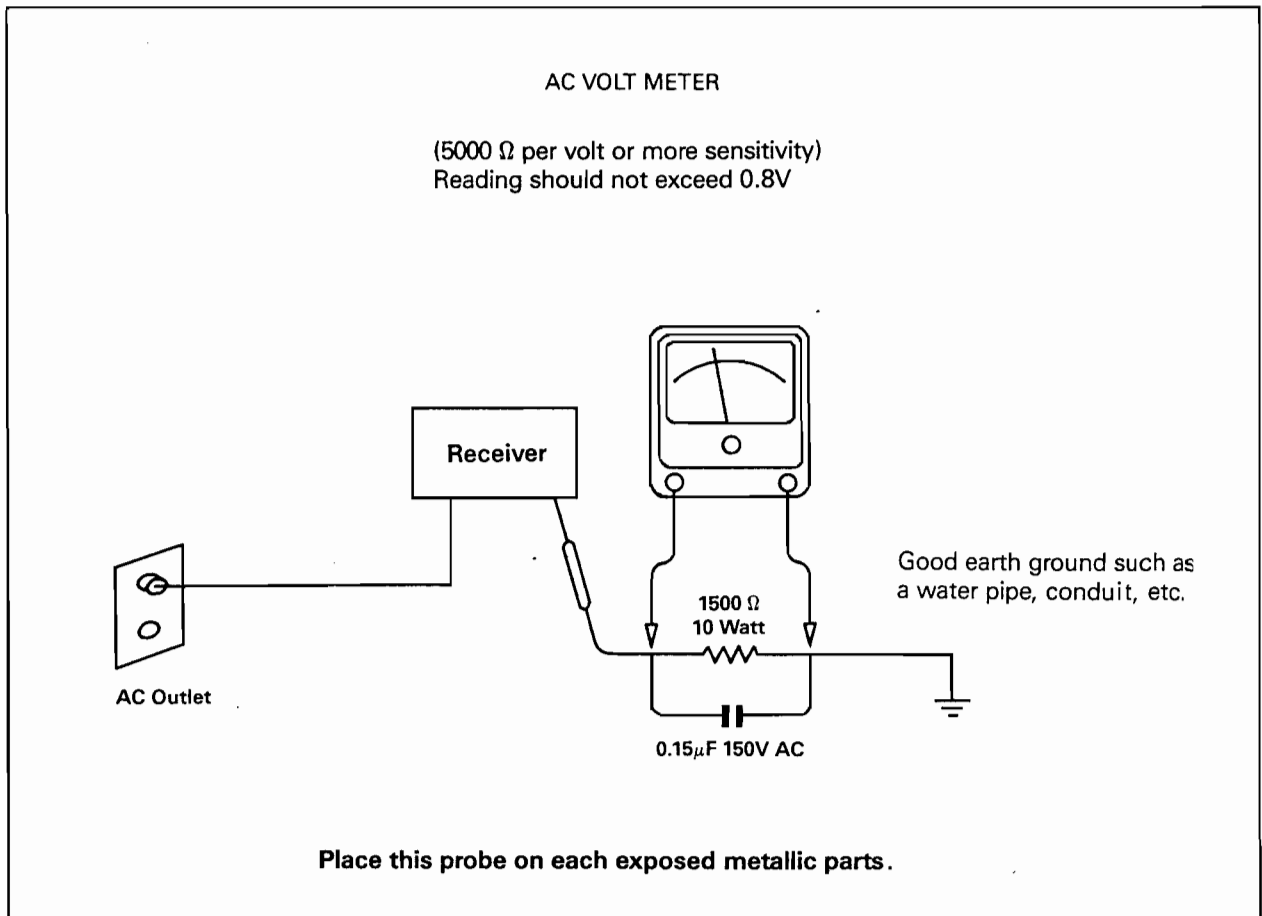
Safety Precaution

WARNING

Service should not be attempted by anyone unfamiliar with the necessary precautions on this player. The following precautions are necessary during servicing.

1. Many electrical and mechanical parts in this player have special characteristics often pass unnoticed and the protection afforded by them cannot necessarily be obtained by using replacement components rated for higher voltage, wattage, etc. Replacement parts that have these special safety characteristics are identified in this manual and its supplements: electrical components having such features are identified by a Δ in the schematic diagram and the parts list. Before replacing any of these components, read the parts list in this manual carefully. The use of substitute replacement parts that do not have the same safety characteristics as specified in the parts list may create shock, fire or other hazards.
2. Before returning the set to the customer, always perform an AC leakage current check on the exposed metallic parts of the cabinet, such as

terminals, screwheads, metal overlays, etc. to be sure the set is safe to operate without danger of electrical shock. Plug the AC line cord directly into a 120V AC outlet (**120V Version only**). (Do not use a line isolation transformer during this check.) Use an AC voltmeter having 5000 Ω per volt or more sensitivity in the following manner: Connect a 1500 Ω 10 watt resistor paralleled by a 0.15 μ F, 150V AC capacitor, between a known good earth ground (water pipe, conduit, etc) and the exposed metallic parts, one at a time. Measure the AC voltage across the combination of 1500 Ω resistor and 0.15 μ F capacitor. Reverse the AC plug at the AC outlet and repeat AC voltage measurements for each exposed metallic part. Voltage measured must not exceed 0.3 volts RMS. This corresponds to 0.2mA AC. Any value exceeding this limit constitutes a potential shock hazard and must be corrected immediately.



Specification (RX-2010 Only)

DIN/IEC Version

Amplifier Section

Power Output, per Channel	
IEC Standard: 63Hz to 12.5kHz, 8 ohms THD 0.7%	59W
DIN Standard: 1kHz, 8 ohms THD 1%	60W
THD. -6dB Rated Output, 8 ohms, 1kHz	0.3%
IMD. -6dB Rated Output, at 8 ohms 60Hz:7kHz=4:1 SMPTE	0.2%
Damping Factor at 1kHz, 8 ohms	35
Input Sensitivity for 30W or 50W Output 8 ohms at 1kHz	
Phono	2.5mV
Linear Inputs	150mV
Phono Pre-amp Input Overload at 1kHz, 0.1% THD	70mV
at 10kHz, 0.1% THD	330mV
Signal to Noise Ratio, IEC "A" wtd/unwtd	
Phono : 5mV Input 2.2k ohm Shorted,	70/65dB
Linear Inputs : 500mV Input, 22k ohm Shorted,	90/85dB
Frequency Response	
Phono, RIAA 30-20,000Hz	± 0.5dB
Linear Inputs at 1W, -3dB	20Hz - 40kHz
Tone Control, BASS at 100Hz, TREBLE at 10kHz	± 10dB
Loudness Contour	
at 100Hz	+7.0dB
at 10kHz	+3.0dB

FM Section

Tuning Range	USA/CANADA/AUSTRALIA Version: 87.5 - 107.9MHz
	EUROPE Version: 87.50 - 108.0MHz
Scanning Frequency Interval (Auto/Manual)	USA/CANADA Version: 0.2MHz
	EUROPE/AUSTRALIA Version 0.05MHz
Usable Sensitivity at S/N=26dB, 100% Mod.	2µV (11.2dBf)
50dB Quieting Sensitivity, Stereo	55µV (36.2dBf)
THD at 1kHz, 100% Mod., Mono	0.2%
Stereo	0.4%
Stereo Separation at 1kHz	40dB
Signal to Noise Ratio IHF Mono	68dB
Stereo	65dB
Frequency Response 20-15,000Hz	-1.5dB
Audio Output Voltage, 1kHz 100% Mod.	USA/CANADA Version: 500mV
	AUSTRALIA/EUROPE Version: 800mV
De-emphasis	USA/CANADA Version: 75µsec
	AUSTRALIA/EUROPE Version: 50µsec

AM (MW/LW) Section

Tuning Range	USA/CANADA Version: 520 - 1710kHz
	AUSTRALIA/EUROPE Version: 522 - 1611kHz
	LW EUROPE Version: 153-279kHz
Scanning Frequency Interval (Auto/Manual)	USA/CANADA Version: 10kHz
	AUSTRALIA/EUROPE Version: 9kHz
Usable Sensitivity IHF at S+N/N=20dB,	
Loop Antenna	MW 800µV/m
	LW 1000µV/m
Signal to Noise Ratio, 30% Mod. Ref.	MW 40dB
	LW 35dB
Audio Output Voltage, 400Hz, 30% Mod.	150mV

IHF/EIA Version

Amplifier Section

Power Output per Channel Continuous RMS with No More than 0.3% THD	
at 8 ohms, 40-20,000Hz	50W
at 8 ohms, 1kHz	53W
IMD. -6dB Rated Output, at 8 ohms 60Hz:4:1 SMPTE	0.2%
Damping Factor at 1kHz, 8 ohms	35
Input Sensitivity for 30W or 50W Output 8 ohms at 1kHz	
Phono	2.5mV
Linear Inputs	150mV
Phono Pre-amp Input Overload at 1kHz, 0.1% THD	70mV
at 10kHz, 0.1% THD	330mV
Signal to Noise Ratio, IHF "A" wtd/unwtd	
Phono	70/65dB
Linear Inputs	90/85dB
Frequency Response	
Phono RIAA 30-20,000Hz	± 0.5dB
Linear Inputs at 1W, -3dB	20Hz - 40kHz
Tone Control, BASS at 100Hz, TREBLE at 10kHz	± 10dB
Loudness Contour	
at 100Hz	+7.0dB
at 10kHz	+3.0dB
Channel Separation at AUX Input Shorted	
100Hz	60dB
1kHz	60dB
10kHz	50dB

FM Section

Tuning Range	USA/CANADA/AUSTRALIA Version: 87.5 - 107.9MHz
	EUROPE Version: 87.5 - 108.0MHz
Scanning Frequency Interval (Auto/Manual)	USA/CANADA Version: 0.2MHz
	EUROPE/AUSTRALIA Version: 0.05MHz
Usable Sensitivity IHF at S+N+D/N=30dB	2µV (11.2dBf)
50dB Quieting Sensitivity, Stereo	55µV (36.4dBf)
THD at 1kHz, 40kHz Dev, Mono	0.2%
Stereo	0.4%
Stereo Separation at 1kHz	40dB
Signal to Noise Ratio IHF, Mono	68dB
Stereo	65dB
Frequency Response 20-15,000Hz	-1.5dB
Audio Output Voltage, 1kHz 100% Mod.	USA/CANADA Version: 500mV
	AUSTRALIA/EUROPE Version: 800mV
De-emphasis	USA/CANADA Version: 75µsec
	AUSTRALIA/EUROPE Version: 50µsec

AM (MW/LW) Section

Tuning Range	MW USA/CANADA Version: 520 - 1710k Hz
	AUSTRALIA/EUROPE Version: 522 - 1611k Hz
	LW EUROPE Version: 153-279k Hz
Scanning Frequency Interval (Auto/Manual)	USA/CANADA Version: 10k Hz
	AUSTRALIA/EUROPE Version: 9k Hz
Usable Sensitivity IHF at S+N/N=20dB,	
Loop Antenna	MW 800µV/m
	LW 1000µV/m
Signal to Noise Ratio, 30% Mod. Ref.	MW 40dB
	LW 35dB
Audio Output Voltage, 400Hz 30% Mod.	150mV

General

Power Consumption:

USA Version	70W
EUROPE Version	265W
Dimensions	(W)440 × (H)100 × (D)245mm (W)17.3" × (H)3.9" × (D)9.6"

Power Requirements:

A: 120V 60Hz for American/Canadian Version	
B: 120/220V, 60/50Hz for Multi-voltage Version (Switchable)	
C: 230V 50Hz for General European Version	
D: 230V 50Hz for German/Italian Version	
E: 240V 50Hz for U.K/Australian Version	
F: 230V 50Hz for Swiss/Scandinavian Version	
Dimensions (W×H×D)	440(W) × 100(H) × 245(D) mm 17.3(W) × 3.9(H) × 9.6(D) inch
Weight (Net)	5.7kg (12.5 lbs 8.6 oz)

Note: Component and circuitry are subject to modification to insure best operation under differing local conditions. This manual is based on the European standard and provides information on regional circuit modification through use of alternate schematic diagram or wiring diagram, and information on regional component variations through use of parts list. Design and Specifications subject to change without notice for improvement.

Specification (RX-1010 Only)

DIN/IEC Version

Amplifier Section

Power Output, per Channel	
IEC Standard: 63Hz to 12.5kHz, 8 ohms THD 0.7%	33W
DIN Standard: 1kHz, 8 ohms THD 1%	34W
THD -6dB Rated Output, 8 ohms, 1kHz	0.3%
IMD -6dB Rated Output, at 8 ohms 60Hz:7kHz=4:1 SMPTE	0.2%
Damping Factor at 1kHz, 8 ohms	35
Input Sensitivity for 30W or 50W Output 8 ohms at 1kHz	
Phono	2.5mV
Linear Inputs	150mV
Phono Pre-amp Input Overload at 1kHz, 0.1% THD	70mV
at 10kHz, 0.1% THD	330mV
Signal to Noise Ratio, IEC "A" wtd/unwtd	
Phono : 5mV Input 2.2k ohm Shorted	70/65dB
Linear Inputs : 500mV Input, 22k ohm Shorted	90/85dB
Frequency Response	
Phono, RIAA 30-20,000Hz	± 0.5dB
Linear Inputs at 1W, -3dB	20Hz - 40kHz
Tone Control, BASS at 100Hz, TREBLE at 10kHz	± 10dB
Loudness Contour	
at 100Hz	+7.0dB
at 10kHz	+3.0dB

FM Section

Tuning Range	USA/CANADA/AUSTRALIA Version: 87.5 - 107.9MHz EUROPE Version: 87.50 - 108.0MHz
Scanning Frequency Interval (Auto/Manual)	USA/CANADA Version: 0.2MHz EUROPE/AUSTRALIA Version 0.05MHz
Usable Sensitivity at S/N=26dB, 100% Mod.	2µV (11.2dBf)
50dB Quieting Sensitivity, Stereo	55µV (39.2dBf)
THD at 1kHz, 100% Mod., Mono	0.2%
Stereo	0.4%
Stereo Separation at 1kHz	40dB
Signal to Noise Ratio IHF Mono	68dB
Stereo	65dB
Frequency Response 20-15,000Hz	-1.5dB
Audio Output Voltage, 1kHz 100% Mod.	USA/CANADA Version: 500mV AUSTRALIA/EUROPE Version: 800mV
De-emphasis	USA/CANADA Version: 75µsec AUSTRALIA/EUROPE Version: 50µsec

AM (MW/LW) Section

Tuning Range	USA/CANADA Version: 520 - 1710kHz AUSTRALIA/EUROPE Version: 522 - 1611kHz LW EUROPE Version: 153 - 279kHz
Scanning Frequency Interval (Auto/Manual)	USA/CANADA Version: 10kHz AUSTRALIA/EUROPE Version: 9kHz
Usable Sensitivity IHF at S+N/N=20dB, Loop Antenna	MW 800µV/m LW 1000µV/m
Signal to Noise Ratio, 30% Mod. Ref.	MW 40dB LW 35dB
Audio Output Voltage, 400Hz, 30% Mod.	150mV

IHF/EIA Version

Amplifier Section

Power Output per Channel Continuous RMS with No More than 0.3% THD	
at 8 ohms, 40-20,000Hz	30W
at 8 ohms, 1kHz	32W
IMD -6dB Rated Output, at 8 ohms 60Hz:7kHz=4:1 SMPTE	0.2%
Damping Factor at 1kHz, 8 ohms	35
Input Sensitivity for 30W or 50W Output 8 ohms at 1kHz	
Phono	2.5mV
Linear Inputs	150mV
Phono Pre-amp Input Overload at 1kHz, 0.1% THD	70mV
at 10kHz, 0.1% THD	330mV
Signal to Noise Ratio, IHF "A" wtd/unwtd	
Phono	70/65dB
Linear Inputs	90/85dB
Frequency Response	
Phono RIAA 30-20,000Hz	± 0.5dB
Linear Inputs at 1W, -3dB	20Hz - 40kHz
Tone Control, BASS at 100Hz, TREBLE at 10kHz	± 10dB
Loudness Contour	
at 100Hz	+7.0dB
at 10kHz	+3.0dB
Channel Separation at AUX Input Shorted	
100Hz	60dB
1kHz	60dB
10kHz	50dB

FM Section

Tuning Range	USA/CANADA/AUSTRALIA Version: 87.5 - 107.9MHz
	EUROPE Version: 87.5 - 108.0MHz
Scanning Frequency Interval (Auto/Manual)	USA/CANADA Version: 0.2MHz
	EUROPE/AUSTRALIA Version: 0.05MHz
Usable Sensitivity IHF at S+N+D/N=30dB	2µV (11.2dBf)
50dB Quieting Sensitivity, Stereo	55µV (39.2dBf)
THD at 1kHz, 40kHz Dev, Mono	0.2%
Stereo	0.4%
Stereo Separation at 1kHz	40dB
Signal to Noise Ratio IHF, Mono	68dB
Stereo	65dB
Frequency Response 20-15,000Hz	-1.5dB
Audio Output Voltage, 1kHz 100% Mod.	USA/CANADA Version: 500mV
	AUSTRALIA/EUROPE Version: 800mV
De-emphasis	USA/CANADA Version: 75µsec
	AUSTRALIA/EUROPE Version: 50µsec

AM (MW/LW) Section

Tuning Range	MW USA/CANADA Version: 520 — 1710kHz AUSTRALIA/EUROPE Version: 522 — 1611kHz LW EUROPE Version: 153 — 279kHz
Scanning Frequency Interval (Auto/Manual)	USA/CANADA Version: 10kHz AUSTRALIA/EUROPE Version: 9kHz
Usable Sensitivity IHF at S+N/N=20dB, Loop Antenna	MW 800 μ V/m LW 1000 μ V/m
Signal to Noise Ratio, 30% Mod. Ref	MW 40dB LW 35dB
Audio Output Voltage, 400Hz 30% Mod.	150mV

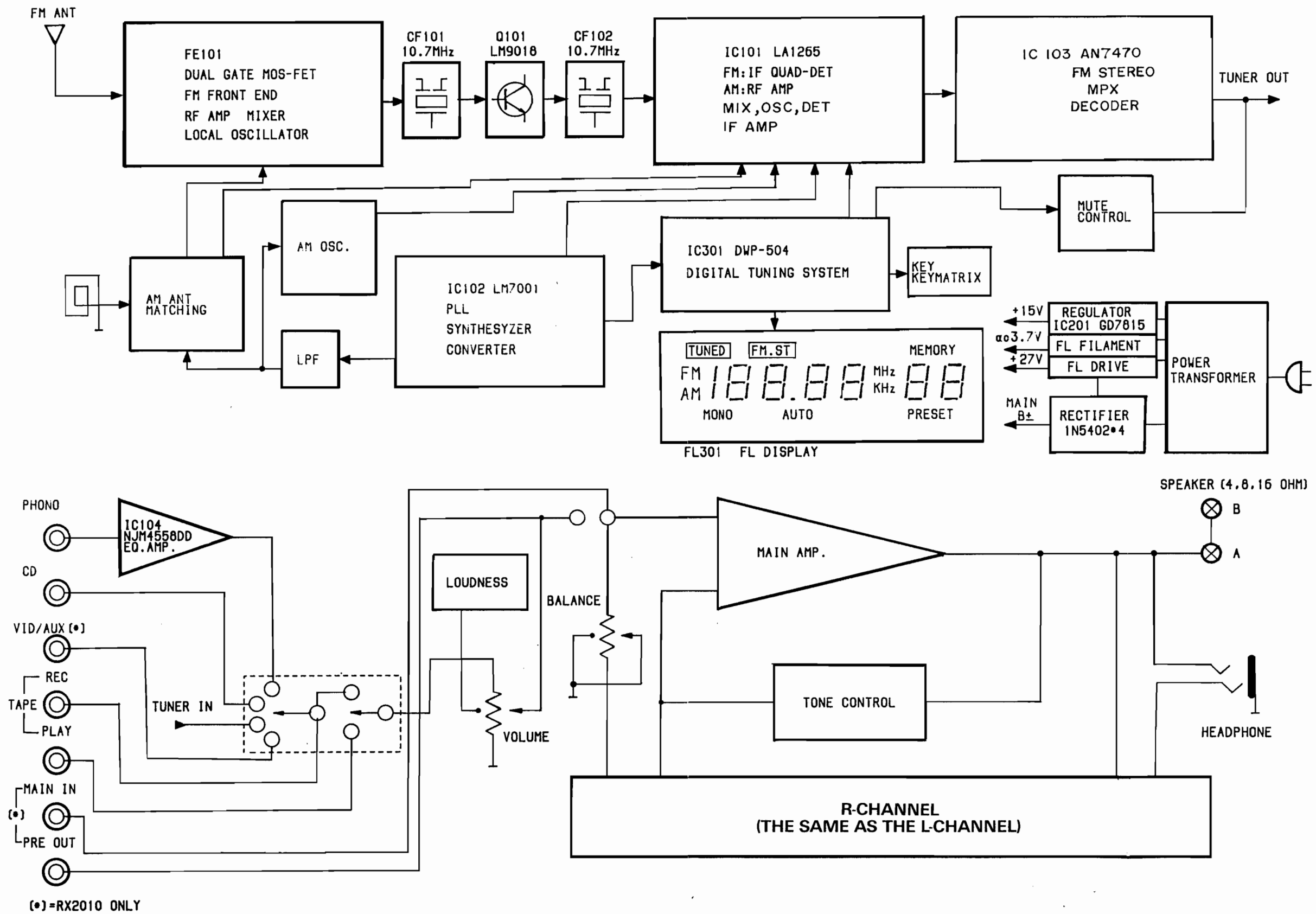
General

Power Consumption:	
USA Version	70W
EUROPE Version	265W
Dimensions	(W)440 \times (H)100 \times (D)245mm (W)17.3" \times (H)3.9" \times (D)9.6"

Power Requirements:	
A: 120V 60Hz for American/Canadian Version	
B: 120/220V, 60/50Hz for Multi-voltage Version (Switchable)	
C: 230V 50Hz for General European Version	
D: 230V 50Hz for German/Italian Version	
E: 240V 50Hz for U.K/Australian Version	
F: 230V 50Hz for Swiss/Scandinavian Version	
Dimensions (W \times H \times D)	440(W) \times 100(H) \times 245(D) mm 17.3(W) \times 3.9(H) \times 9.6(D) inch
Weight (Net)	5.7kg (12.5 lbs 8.6 oz)

Note: Component and circuitry are subject to modification to insure best operation under differing local conditions. This manual is based on the European standard and provides information on regional circuit modification through use of alternate schematic diagram or wiring diagram, and information on regional component variations through use of parts list. Design and Specifications subject to change without notice for improvement.

Block Diagram



Alignment Procedures

*Before making adjustment, operate the appliance for more than 2 minutes.

• TUNER SECTION

* Note: 1. 0 dB= μ V 2. FM 100% Mod.=75kHz Dev. 3. DVM=Digital Volt Meter
4. SG=Signal Generator 5. SSG=Stereo Signal Generator

1. MW Adjustment

- Selector; TUNER, MW/AM
- In case of 2 band appliance (AM/FM), MW is converted into AM.

No.	Subject	Feed Signal		Setting Appliance	Measure Output	Adjust Point	Adjust For	Remark
		From	To					
1.	Tuning Voltage	520kHz		*1) 520kHz	Connect DVM	MW OSC	DC $1 \pm 0.4V$	
		1710kHz		*2) 1710kHz	Same as above	TC104	DC $8.5 \pm 0.4V$	
<ul style="list-style-type: none"> • Repeat the step *1) and *2) until DVM reads the tuning voltage mentioned above. • In case the freq. is 9kHz, the freq. of AM SG and appliance should be changed to *1) 522kHz *2) 1611kHz 								
2.	IF	AM IF Genescope	ANT.		Connect IF Genescope	AM IFT	Symmetrical Curve on AM IF Genescope	
3.	RF Tuning	*1) AM SG 600kHz, 75dB 400Hz (30% MOD.)	ANT.	600kHz	Output Connect AC Voltmeter & Oscilloscope	MW ANT	Maximize Audio Output	
		*2) AM SG 1400kHz, 75dB 400Hz (30% MOD.)	ANT.	1400kHz	Same as above	TC102	Same as above	
<ul style="list-style-type: none"> • Feed Signal should be fed to Loop ANT. through the TEST Loop ant., 60cm distant from the appliance • Repeat the step *1) & *2) until no further improvement occurs. • In case the freq. is 9kHz, the freq. of AM SG and appliance should be changed to *1) 603 kHz *2) 1404kHz 								
4.	Tuned Level	AM SG 1000kHz, 80dB 400Hz (30% MOD.)	ANT.	1000kHz	Output Connect Oscilloscope	R169		Tuned Light on FL
<ul style="list-style-type: none"> • In case the freq. step is 9kHz, the freq. of AM SG and appliance should be changed to 999kHz. 								

2. LW Adjustment

- Selector; TUNER, LW/AM
- This adjustment is necessary to 3 band (MW/LW/FM).

No.	Subject	Feed Signal		Setting Appliance	Measure Output	Adjust Point	Adjust For	Remark
		From	To					
1.	Tuning Voltage	153kHz	279kHz	*1) 153kHz	Connect DVM to TP15	LW OSC	DC $2 \pm 0.2V$	
				*2) 279kHz		LTC103	DC $5.2 \pm 0.2V$	
Repeat the step *1) and *2) until DVM reads the tuning voltage mentioned above.								

No.	Subject	Feed Signal		Setting Appliance	Measure Output	Adjust Point	Adjust For	Remark
		From	To					
2.	RF Tuning	*1) AM SG 162kHz, 80dB 400Hz (30% MOD.)	ANT.	162kHz	Output Connect AC Voltmeter & Oscilloscope	LW ANT:	Maximize Audio Output	
		*2) AM SG 252kHz, 80dB 400Hz (30% MOD.)		252kHz		LTC101		
<ul style="list-style-type: none"> • Feed Signal should be fed to Loop ANT. through the Test Loop ANT., 60cm distant from the appliance • Repeat the step *1) and *2) until no further improvement occurs. 								

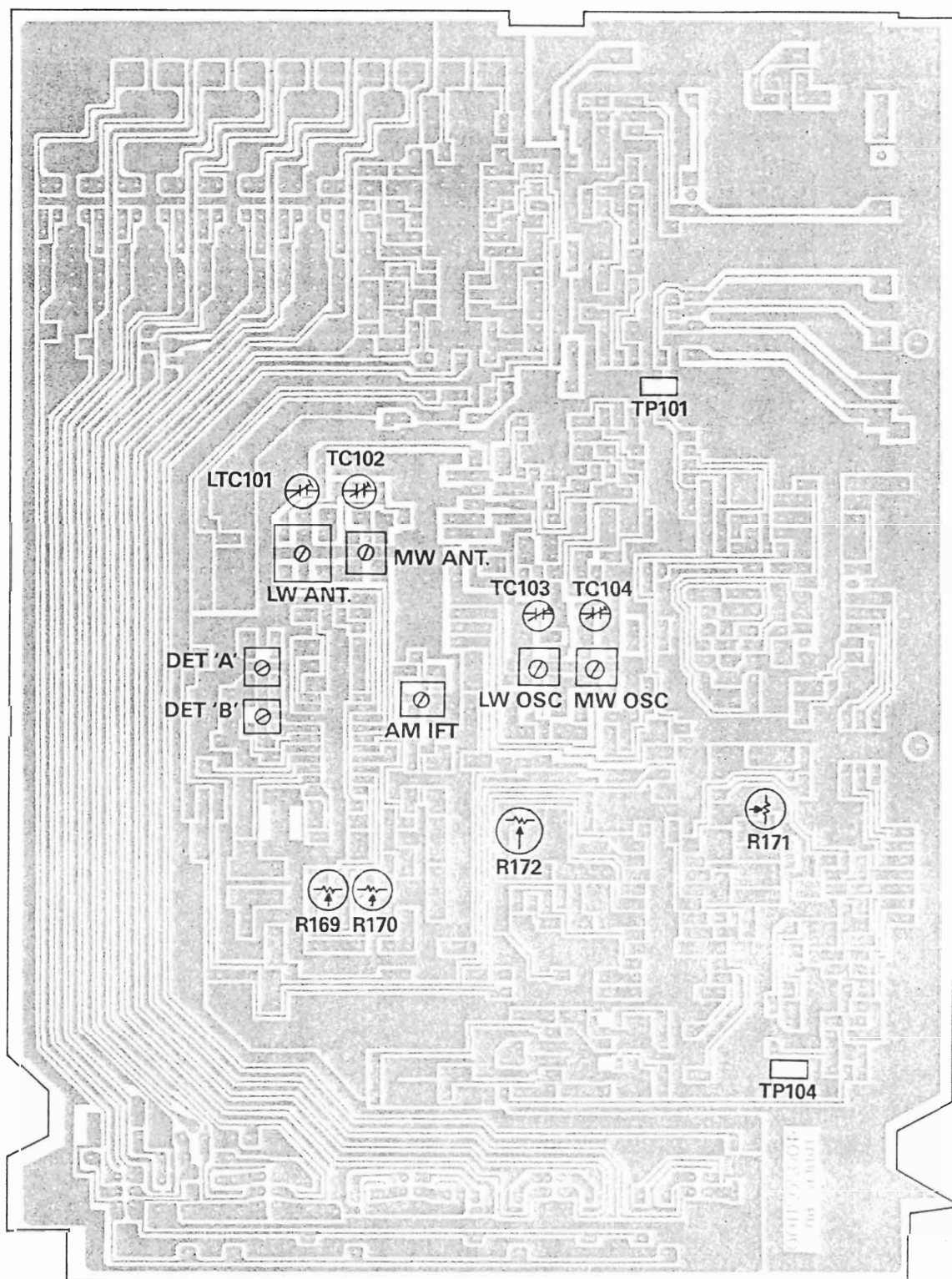
3. FM Adjustment

- Selector; TUNER, FM (Mono/Stereo)
- Deviation; USA/CANADA (75kHz Dev.)
EUROPE (40kHz Dev.)

No.	Subject	Feed Signal		Setting Appliance	Measure Output	Adjust Point	Adjust For	Remark
		From	To					
1.	Tuning Voltage			87.5 MHz 108 MHz	Connect DVM		DC $8.3 \pm 0.2V$ DC $2 \pm 0.2V$	Fixed
2.	IF	FM IF Genescope	ANT.	98MHz 66dB	Connect IF Genescope	DET 'B'	Symmetrical S Curve on AM IF Genescope	
					Connect DVM		DC $0 \pm 50mV$	
				Detune	Connect Oscilloscope	DET 'B'	Maximize Noise Output	In case IF Genescope is not available
					Connect DVM		DC $0 \pm 50mV$	
3.	THD (Mono)	FM SG 98MHz, 60dB 1kHz (75kHz Dev.)	ANT.	98MHz MONO	*1) Connect DVM	DET 'A'	DC $0 \pm 0.1V$	
<ul style="list-style-type: none"> • Adjust the step *1) 1st and the step *2) next and repeat until no further improvement occurs. 								
4.	MPX (VCO)	FM SSG 98MHz, 60dB 1kHz (75kHz Dev.) Pilot 19kHz (9% MOD.)	ANT.	98MHz STEREO	TP104 Connect freq. Counter	R171	Read 76kHz	
					<ul style="list-style-type: none"> • Before adjustment, set the FM SSG to "MOD. OFF". 			
5.	THD (Stereo)	FM SSG 98MHz, 60dB 1kHz (75kHz Dev.) Pilot 19kHz (9% MOD.)	ANT.	98MHz STEREO	Output Connect AC Voltmeter & Distortion	Front-end	Minimize Distortion	

No.	Subject	Feed Signal		Setting Appliance	Measure Output	Adjust Point	Adjust For	Remark
		From	To					
6	Mute Level	FM SG 98MHz, 10 μ V 1kHz (75kHz Dev.)	ANT.	98MHz Stereo	Output Connect Oscilloscope	R170	Muting Occurs Marginally	
7	Sepa- ration	*1) FM SSG 98MHz, 60dB 1kHz (75kHz, Dev.) Pilot 19kHz (9% MOD.) Lch \rightarrow Rch)	ANT.	98MHz Stereo	Rch Mod. Connect AC Voltmeter & Distortion Analyzer and Oscilloscope	R172	Minimize Output	
		*2) Same as above (R CH \rightarrow L CH)			Lch Mod. Connect Same as Above			
<ul style="list-style-type: none"> • Repeat the step *1) and *2) until no further improvement occurs. 								

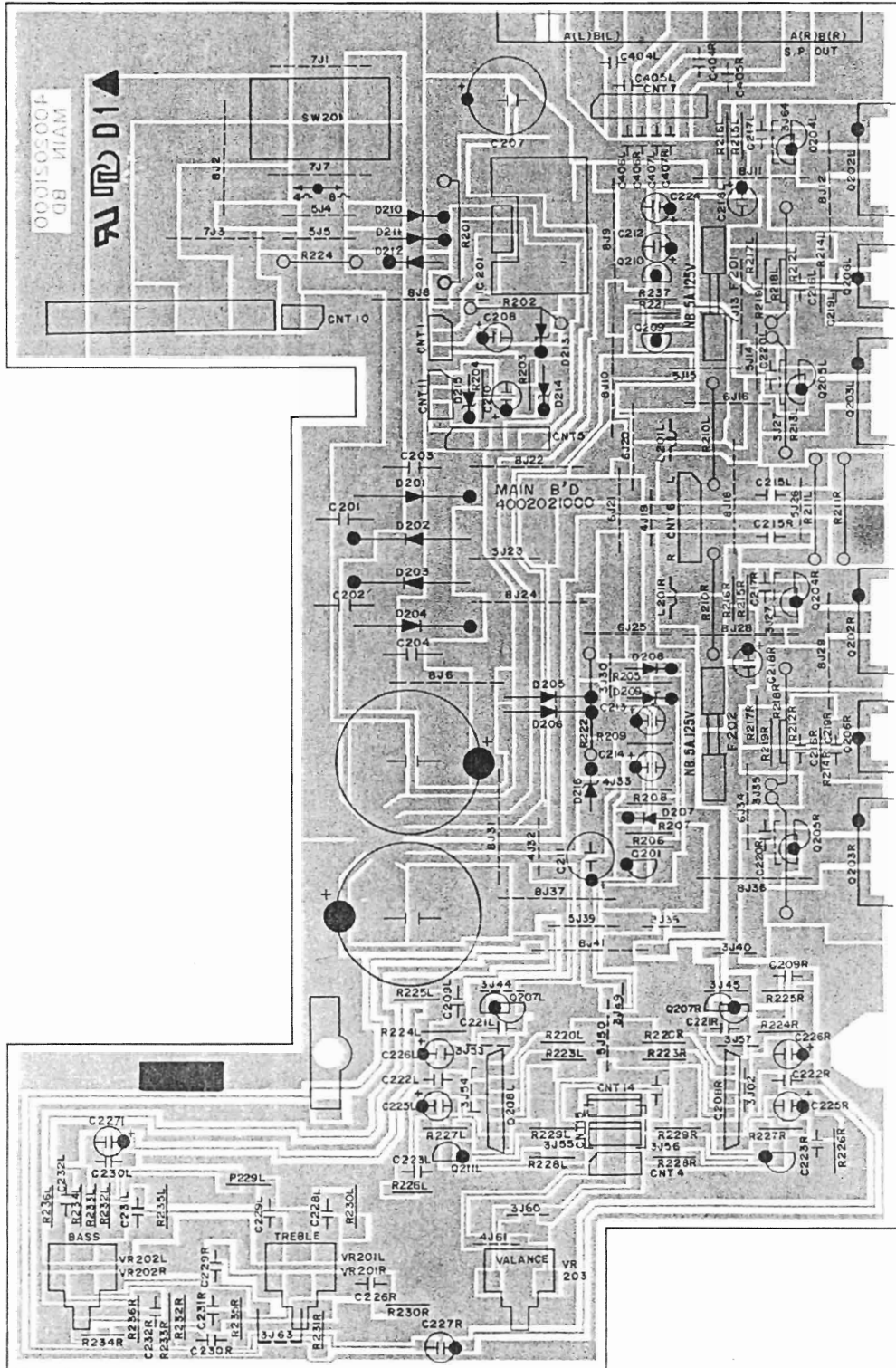
Adjustment Point



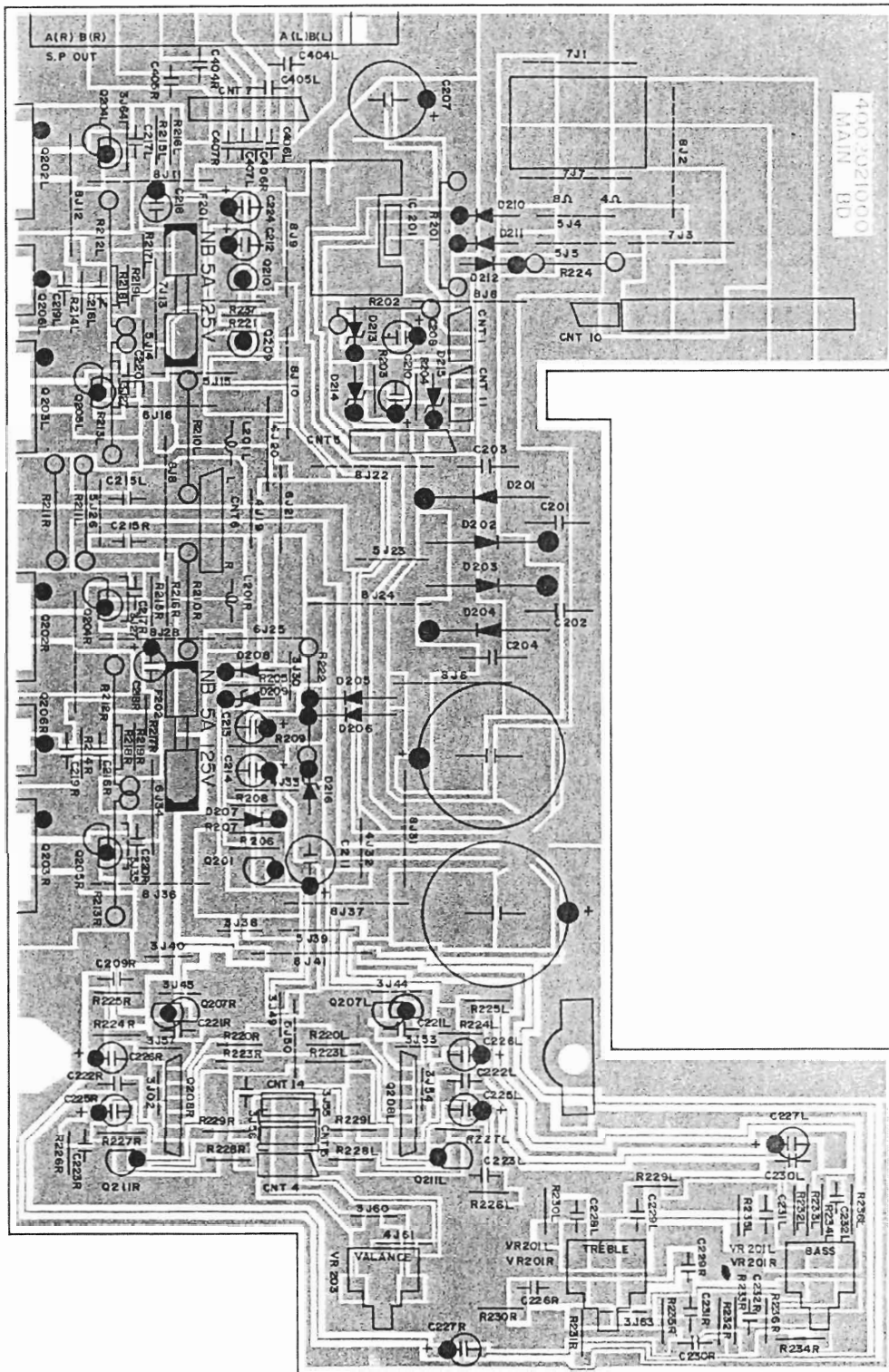
P.C. Boards (Top & Bottom Views)

MAIN P.C. BOARD 4002021000

(TOP VIEW)

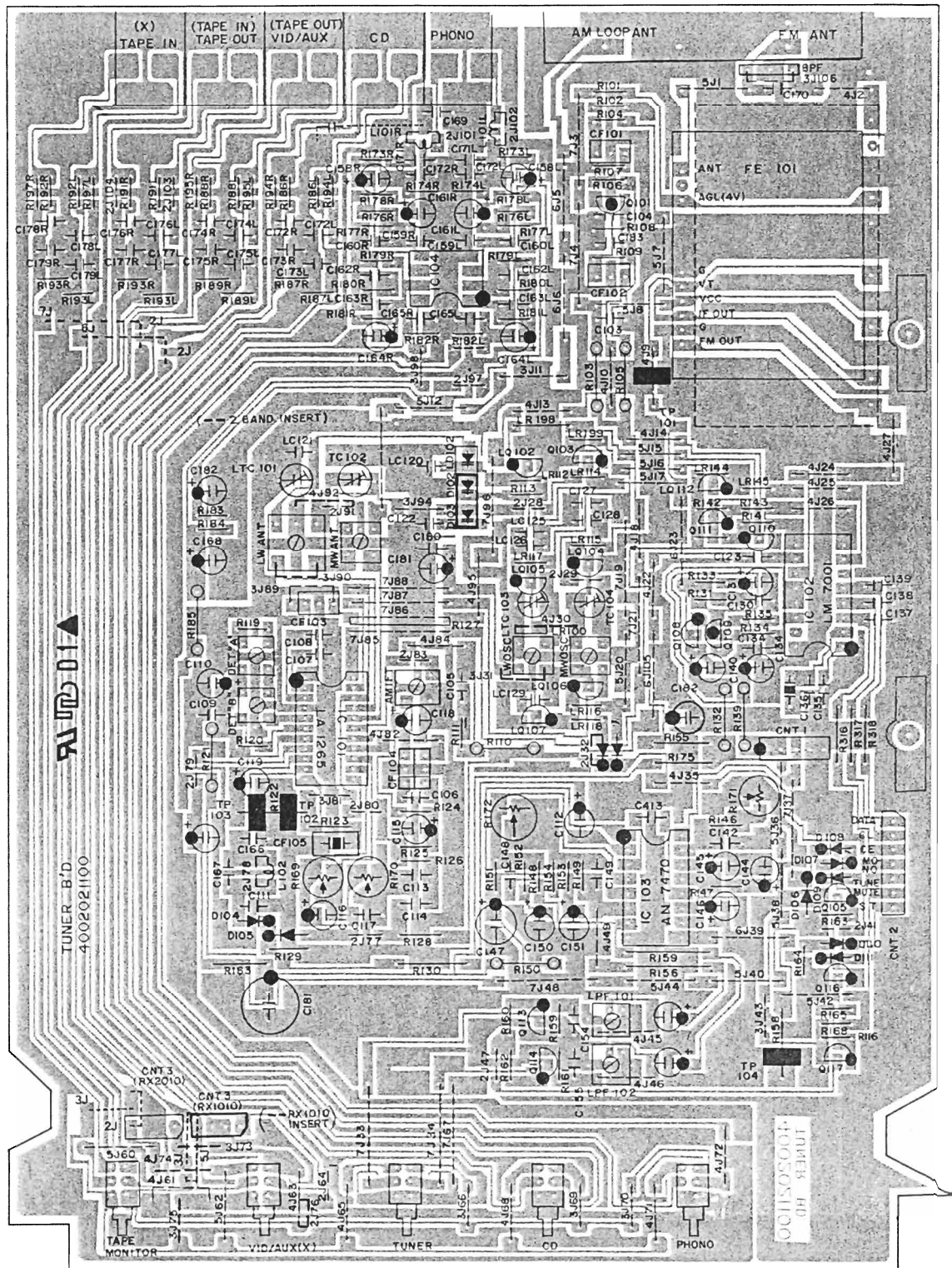


(BOTTOM VIEW)

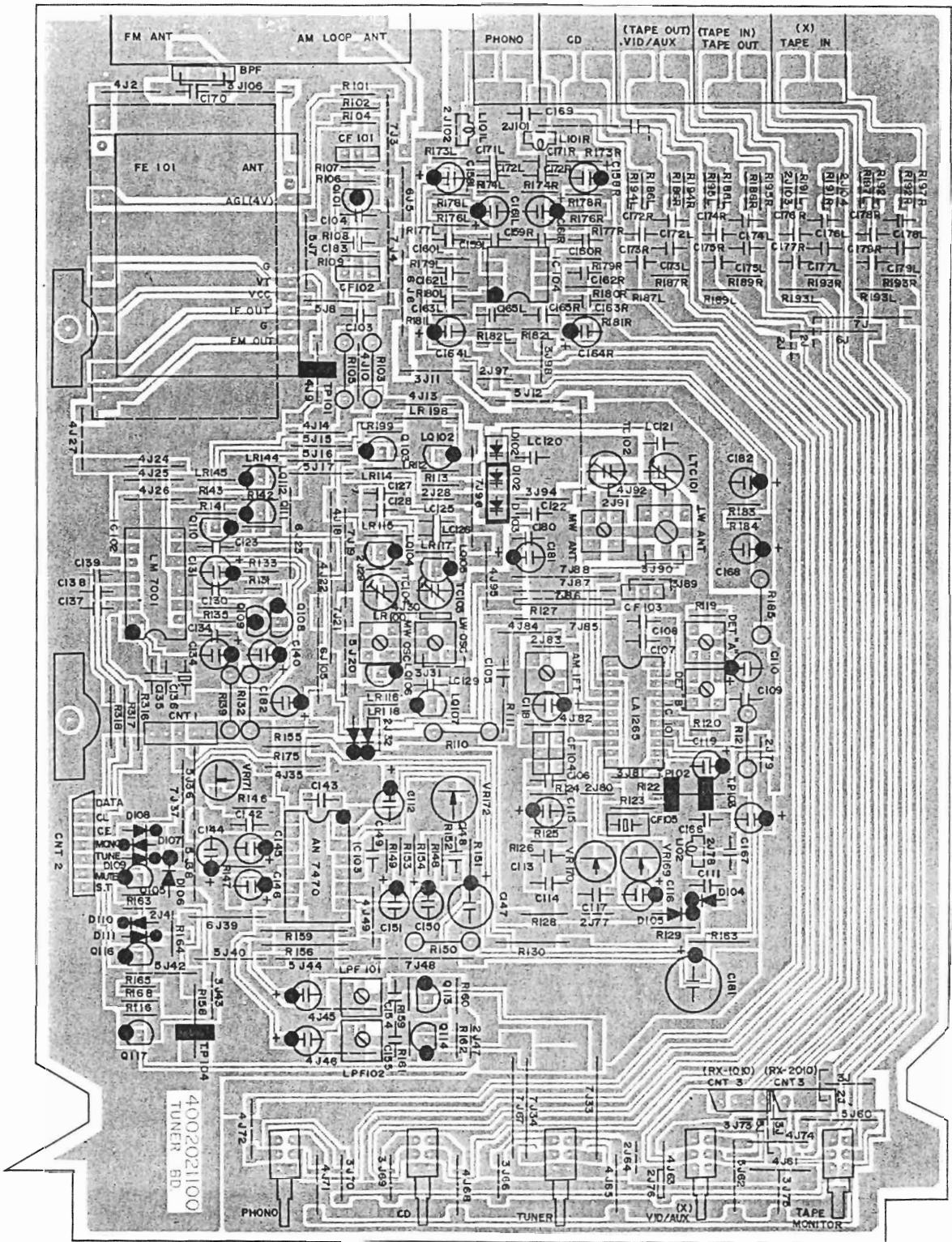


TUNER P.C. BOARD 4002021100

(TOP VIEW)

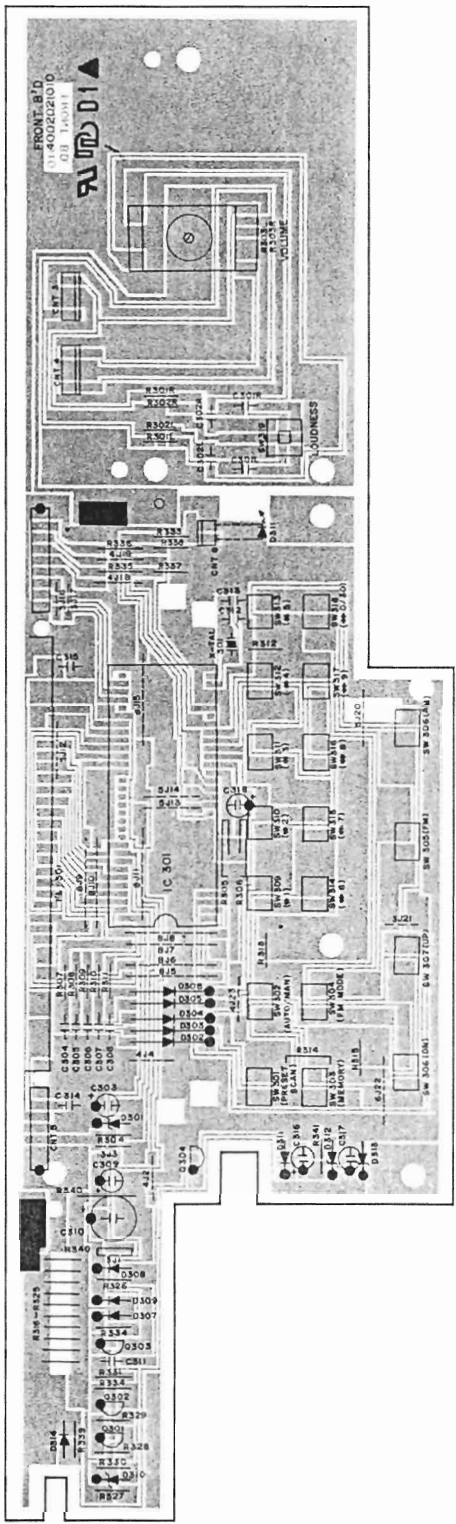


(BOTTOM VIEW)

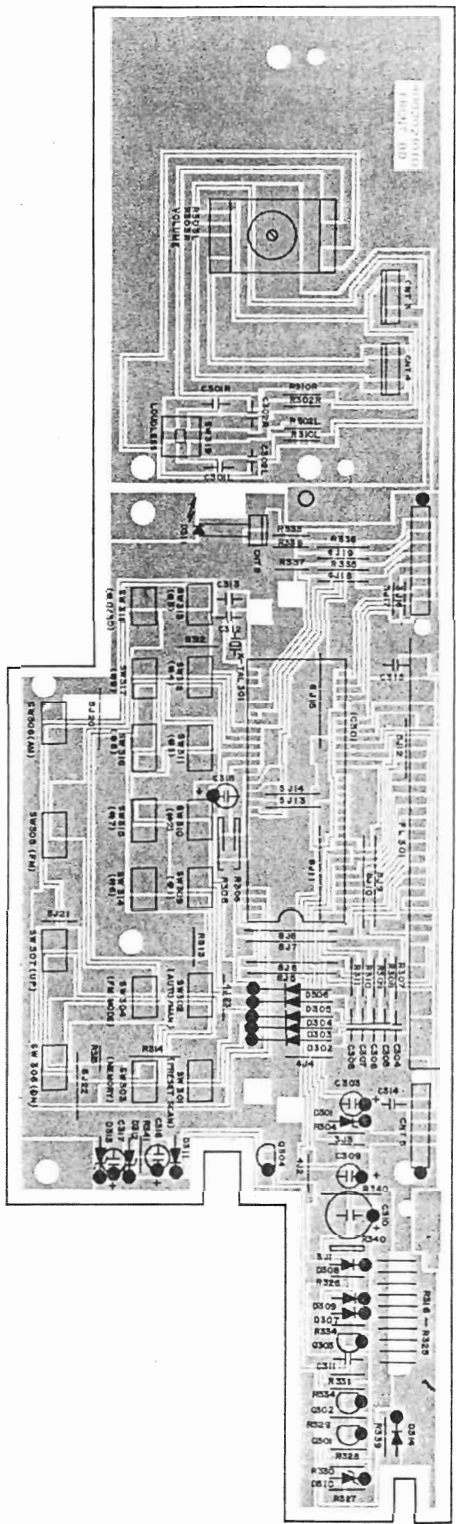


FRONT P.C. BOARD 4002021010

(TOP VIEW)

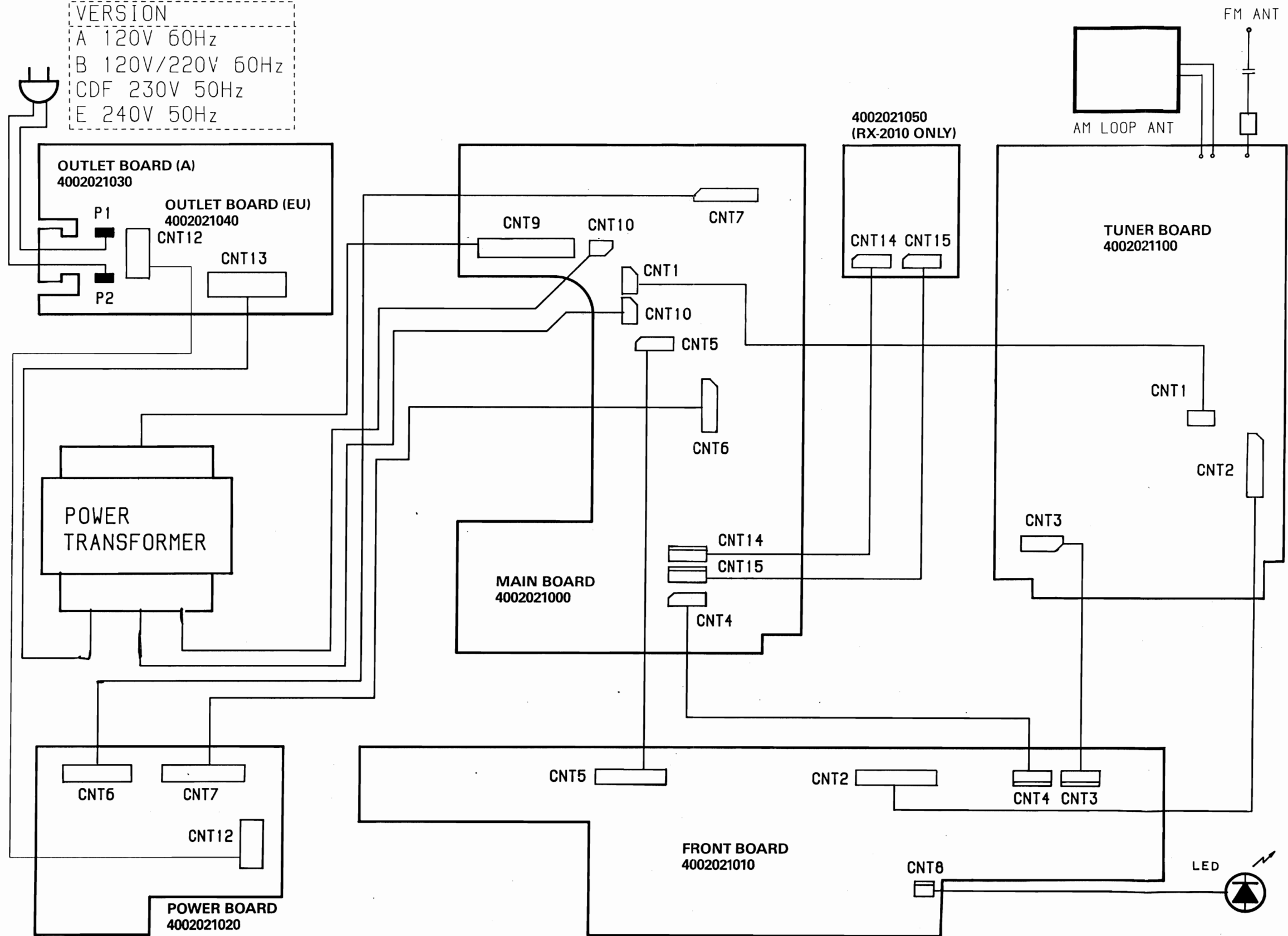


(BOTTOM VIEW)



Wiring Diagram

VERSION
 A 120V 60Hz
 B 120V/220V 60Hz
 CDF 230V 50Hz
 E 240V 50Hz



A

B

C

D

Schematic Diagram DS-5010C/5015C

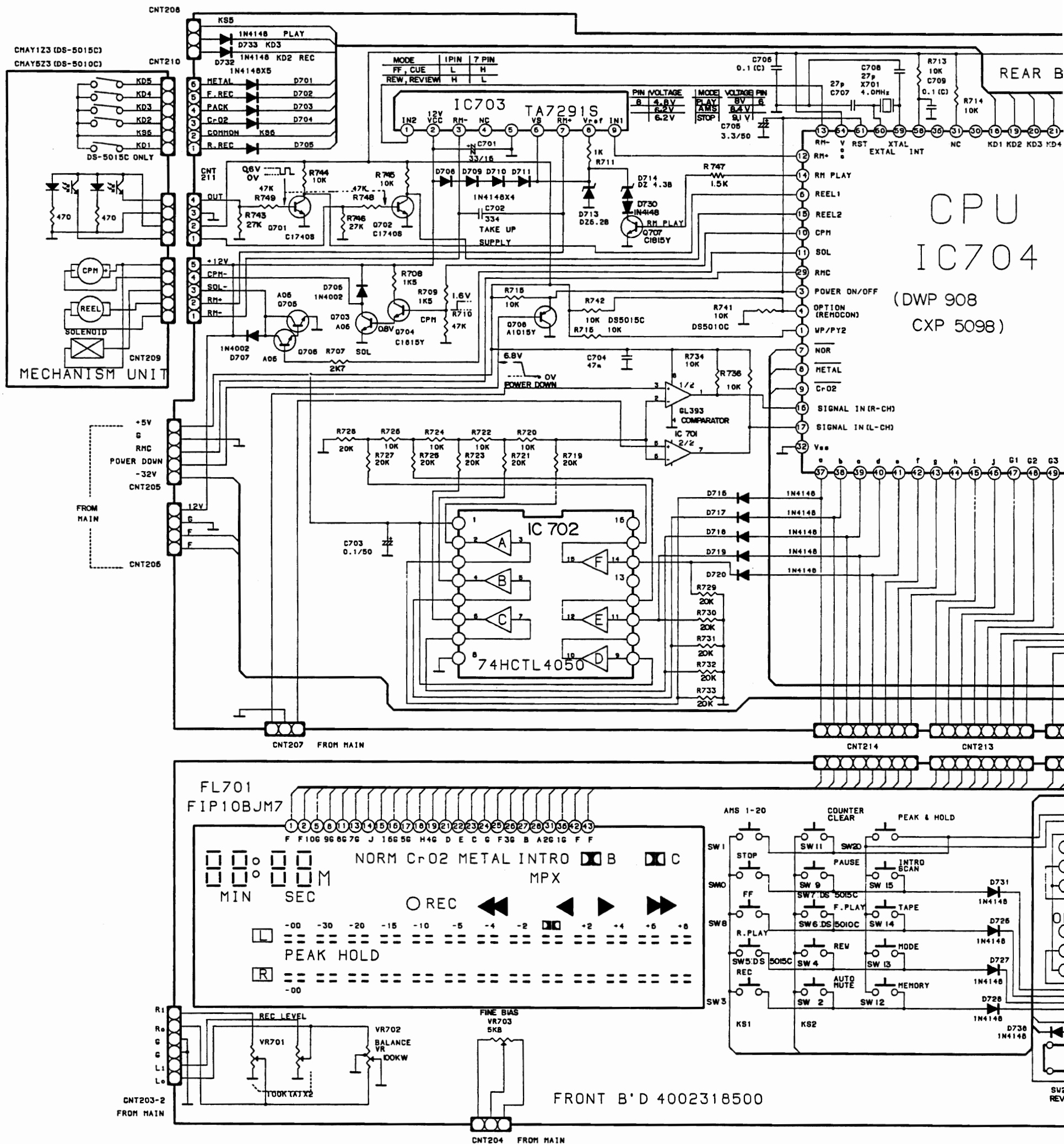
1

2

3

4

5



D

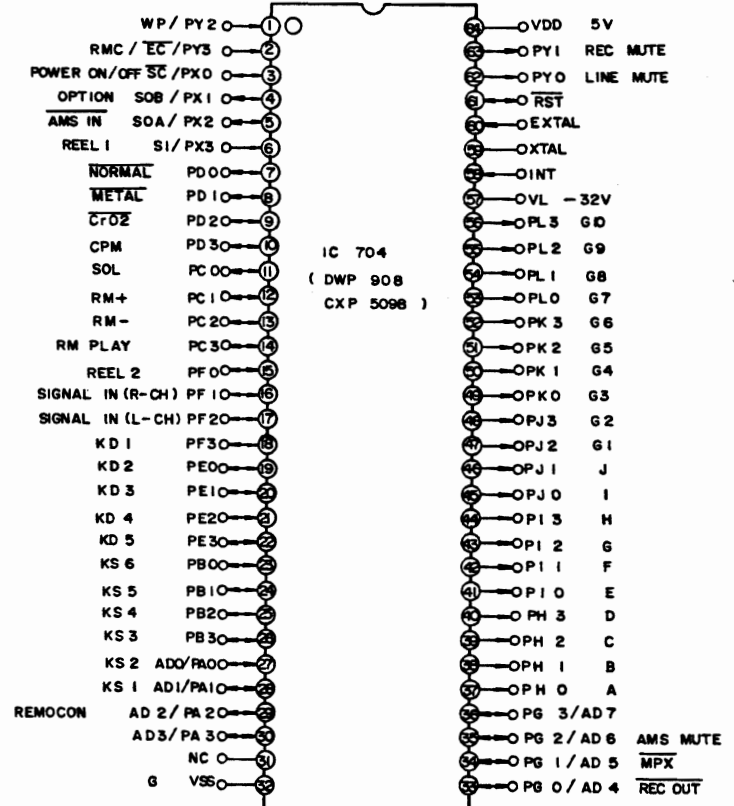
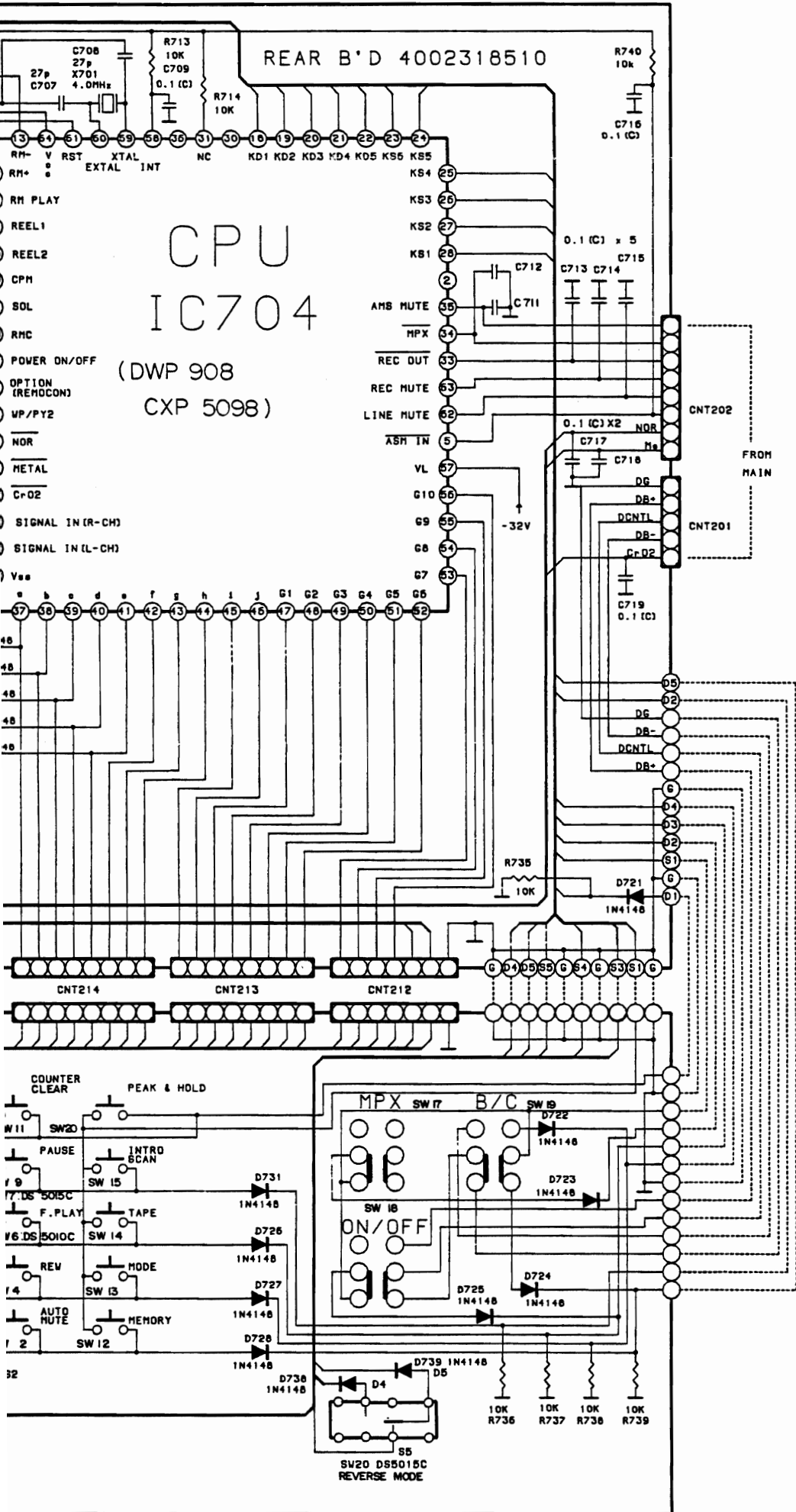
E

F

G

Schematic Diagram (II)

DS-5010C/5015C



A

B

C

D

Schematic Diagram RX-2010/10

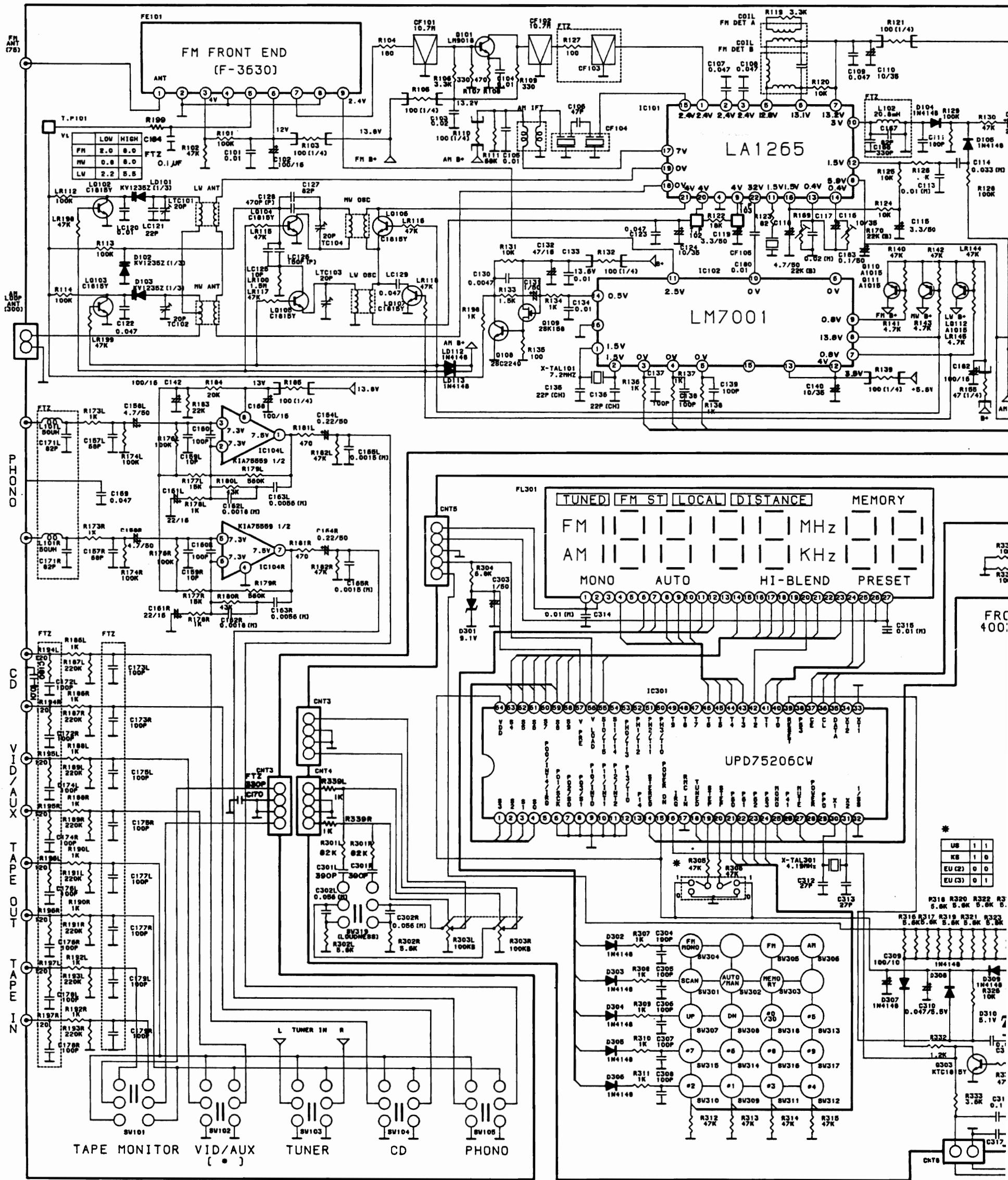
1

2

3

4

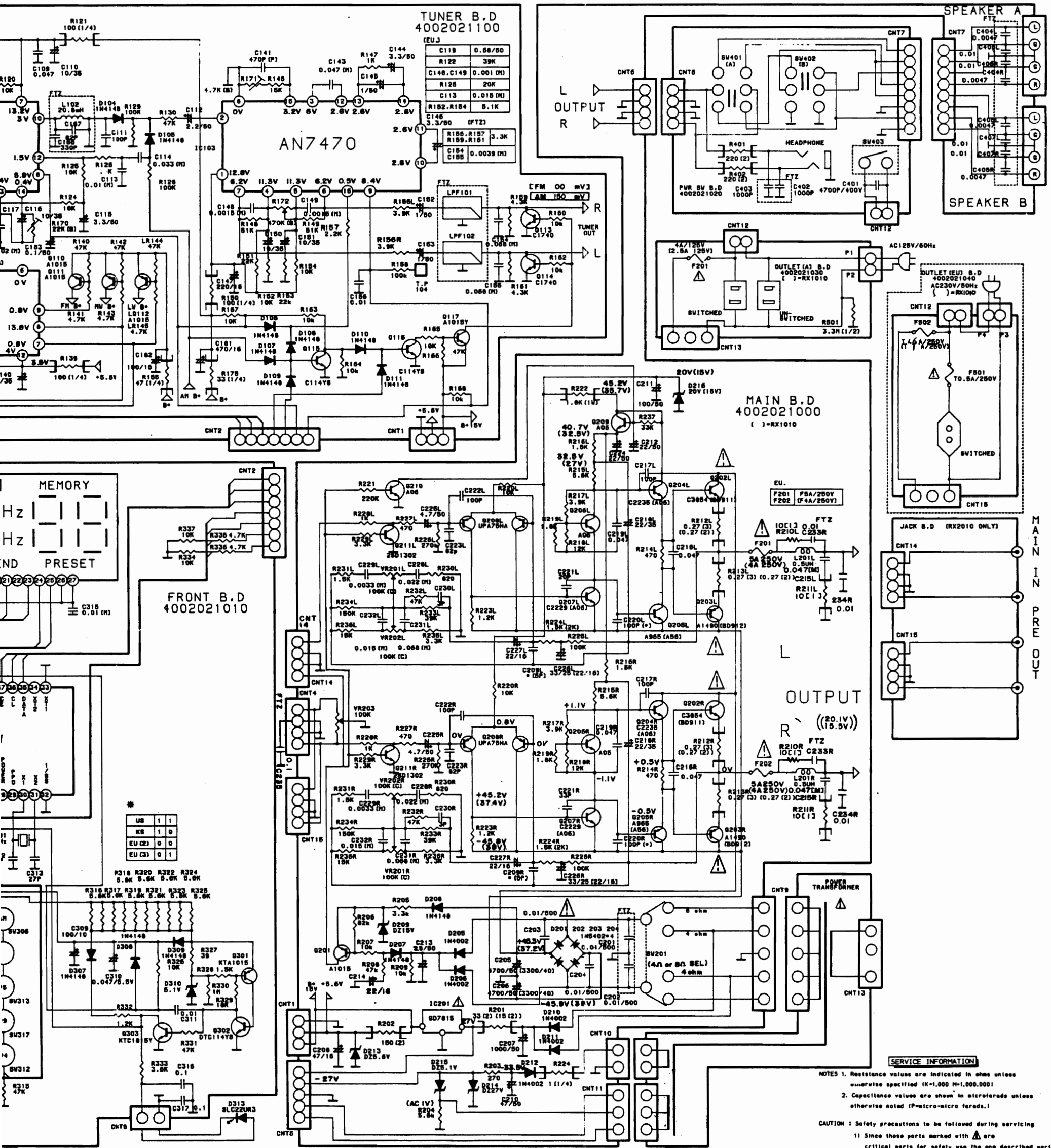
5



US	1	1
KS	1	0
EU (2)	0	0
EU (3)	0	1

R316	R317	R318	R321	R323
5.6K	5.6K	5.6K	5.6K	5.6K
D308	D309	D310	D311	D312
1N4148	1N4148	1N4148	1N4148	1N4148
C310	C311	C312	C313	C314
0.047/5.6V	0.047/5.6V	0.047/5.6V	0.047/5.6V	0.047/5.6V
D313	D314	D315	D316	D317
1N4148	1N4148	1N4148	1N4148	1N4148
R312	R313	R314	R315	R316
47K	47K	47K	47K	47K
C317	C318	C319	C320	C321
100/10	100/10	100/10	100/10	100/10
D318	D319	D320	D321	D322
1N4148	1N4148	1N4148	1N4148	1N4148
R323	R324	R325	R326	R327
3.6K	3.6K	3.6K	3.6K	3.6K
C31	C32	C33	C34	C35
0.1	0.1	0.1	0.1	0.1

Schematic Diagram RX-2010/1010



TUNER B.D.
4002021100

(EUJ)

C119	0.58/50
R122	39K
C148, C149	0.001 (M)
R126	20K
C113	0.015 (M)
R152, R154	5.1K
C146	3.3/50 (FTZ)
R155, R157	3.3K
R159, R161	100K
C154	0.0038 (M)

FRONT B.D.
4002021010

UB	1	1
KB	1	0
EU (2)	0	0
EU (3)	0	1

SERVICE INFORMATION

- NOTES 1. Resistance values are indicated in ohms unless otherwise specified (K=1,000 M=1,000,000)
2. Capacitance values are shown in microfarads unless otherwise noted (P=picro-micro farads.)

CAUTION: Safety precautions to be followed during servicing

- 1) Since these parts marked with Δ are critical parts for safety use the one described parts list.
- 2) Before returning the receiver to the customer make appropriate leakage current or resistance measurements to determine that exposed parts are properly insulated from the supply circuit.

Electrical Parts List

PRODUCT SAFETY NOTICE: Products Marked with Δ have special characteristics important to safety. If you replace any of these components, carefully read the product safety notice of this manual. Don't degraded the safety of the product through improper servicing. Remark meaning for version, so refer to power requirement of Specification in this manual. Resistors & Capacitors tolerance; J: ($\pm 0.5\%$), D: ($\pm 5\%$), K: ($\pm 10\%$), M: ($\pm 20\%$), Z: (+8%, -20%).

Ref. No	Part No.	Description	Remark
Tuner Board 4002021100			
• Capacitors			
C101	3579103130	Ceramic 0.01 μ F 50V J	
C102	3479210131	Electric SA 100 μ F 16V M	
C103	3579203130	Ceramic 0.02 μ F 50V J	
C104/C105	3579103130	Ceramic 0.01 μ F 50V J	
C106	3579470130	Ceramic 47pF 50V J	
C107-C109	3579473130	Ceramic 0.047 μ F 50V J	
C110	3479210061	Electric SA 10 μ F 35V M	
C111	3579101130	Ceramic 100pF 50V J	
C112	3479222971	Electric SA 2.2 μ F 50V M	
C113	3679103120	Mylar 0.01 μ F 100V J	
C114	3679333120	Mylar 0.033 μ F 100V J	
C115	3479233971	Electric SA 3.3 μ F 50V M	
C116	3479210061	Electric SA 10 μ F 35V M	
C117	3679203120	Mylar 0.02 μ F 100V J	
C118	3479247971	Electric SA 4.7 μ F 50V M	
C119	3479233971	Electric SA 3.3 μ F 50V M	
LC120	3579103130	Ceramic 0.01 μ F 50V J	LW only
LC121	3579220130	Ceramic 22pF 50V J	LW only
C122/C123	3579473130	Ceramic 0.047 μ F 50V J	
C124	3479210061	Electric SA 10 μ F 35V M	
LC125	3579100130	Ceramic 10pF 50V J	LW only
LC126	3619151110	Poly 150pF 50V J	LW only
C127	3579820130	Ceramic 82pF 50V J	
C128	3619471110	Poly 470pF 50V J	
LC129	3579473130	Ceramic 0.047 μ F 50V J	LW only
C130	3579472130	Ceramic 0.0047 μ F 50V J	
C131	3479210971	Electric SA 1 μ F 50V M	
C132	3479247031	Electric SA 47 μ F 16V M	
C133/C134	3579103130	Ceramic 0.01 μ F 50V J	
C135/C136	3579220130	Ceramic CH 22pF 50V J	
C137-C139	3579101130	Ceramic 100pF 50V J	
C140	3479210061	Electric SA 10 μ F 35V M	
C141	3619471110	Poly 470pF 50V J	
C142	3479210131	Electric SA 100 μ F 16V M	
C143	3679473120	Mylar 0.047 μ F 100V J	
C144	3479233971	Electric SA 3.3 μ F 50V M	
C145	3479210971	Electric SA 1 μ F 50V M	
C146	3479233971	Electric SA 3.3 μ F 50V M	
C147	3479222131	Electric SA 220 μ F 16V M	
C148/C149	3679152120	Mylar 0.0015 μ F 100V J	
C150/C151	3479210061	Electric SA 10 μ F 35V M	
C152/C153	3479210971	Electric SA 1 μ F 50V M	
C154/C155	3679683120	Mylar 0.068 μ F 100V J	
C156	3579103130	Ceramic 0.01 μ F 50V J	
C157L/R	3579680130	Ceramic 68pF 50V J	
C158L/R	3479247971	Electric SA 4.7 μ F 50V M	
C159L/R	3579100130	Ceramic 10pF 50V J	
C160L/R	3579101130	Ceramic 100pF 50V J	
C161L/R	3479222031	Electric SA 22 μ F 16V M	
C162L/R	3679182120	Mylar 0.0018 μ F 100V J	
C163L/R	3679562120	Mylar 0.0056 μ F 100V J	
C164L/R	3479222871	Electric SA 0.22 μ F 50V M	

Ref. No	Part No.	Description	Remark
C165L/R	3679152120	Mylar 0.0015 μ F 100V J	
C166/C170	3579331130	Ceramic 330pF 50V J	D
C167	3579820130	Ceramic 82pF 50V J	D
C168	3479210131	Electric SA 100 μ F 16V M	
C169	3579473130	Ceramic 0.047 μ F 50V J	
C170	3579331130	Ceramic 330pF 50V J	D
C71L/R	3579820130	Ceramic 82pF 50V J	D
C172L/R	3579101130	Ceramic 100pF 50V J	D
C173L/R	3579101130	Ceramic 100pF 50V J	D
C174L/R	3579101130	Ceramic 100pF 50V J	RX2010, D
C175L/R	3579101130	Ceramic 100pF 50V J	RX2010, D
C176L/R	3579101130	Ceramic 100pF 50V J	D
C179L/R	3579101130	Ceramic 100pF 50V J	D
C180	3579103130	Ceramic 0.01 μ F 50V J	
C181	3479247131	Electric SA 470 μ F 16V M	
C182	3479210131	Electric SA 100 μ F 16V M	
C183	3479210871	Electric SA 0.1 μ F 50V M	
C184	3579104130	Ceramic 0.1 μ F 50V J	D
LTC101	3838001010	Trimmer 20pF	LW only
TC102	3838001010	Trimmer 20pF	
LTC103	3838001010	Trimmer 20pF	LW only
TC104	3838001010	Trimmer 20pF	
Coils			
L101L	2648601470	Inductor, 50 μ H	D
L101R	2648601470	Inductor, 50 μ H	D
L102	2648601430	Inductor, 20.8mH	D
LW ANT	2608201130	LW ANT., Matching	LW only
MW ANT	2608201120	MW ANT., Matching	
LW OSC	2638401060	LW Oscillator	LW only
MW OSC	2638201150	MW Oscillator	
AM IFT	2848001250	AM IFT	
FM DET A	2838501110	FM Quad DET 'A'	
FM DET B	2838501210	FM Quad DET 'B'	
Connectors			
CNT1	4119103503	Slat Ass'y 3P 350mm to Tuner B'D	
CNT2	4428505610	Plug 7P	
CNT3	4428505610	Plug 4P	
Diodes			
LD101	2058819105	Varactor, KV1235Z	LW only
D102	2058819106	Varactor, KV1235Z	
D103	2058819106	Varactor, KV1235Z	
D104-D111	2058306101	1N4148	
LD112	2058306101	1N4148	LW only
LD113	2058306101	1N4148	LW only
Filters			
CF101	3908011011	10.7MHz	

Ref. No	Part No.	Description	Remark
CF102	3908011011	10.7MHz	D
CF103	3908011011	10.7MHz	
CF104	3908001150	SFZ 450kHz	
CF105	3908001020	BFU 450kHz	
LPF101	2658301100	MPX 19kHz LPF	
LPF102	2658301100	MPX 19kHz LPF	D A
FE101	3928801890	FM Front END PAC	
(FE101)	3928801770	FM Front END PAC F3630	
IC's			
IC101	2168017119	LA1265, IF	
IC102	2138017112	LM7001, PLL	
IC103	2168410101	AN7470, MPX	
IC104	2168220104	JRC4558DD, Dual Op Amp	
Resistors: All resistors are 1/5W carbon film ±5% tolerance, unless otherwise specified. M. is metal film, M.O is metal oxide and C. is cement type.			
LR100	3069155970	1.5MΩ	LW only
R101	3069104970	100kΩ	LW only
R102	3069473970	47kΩ	
R103	3069101276	100Ω 1/4W	
R104	3069181970	180Ω	
R105	3069101276	100Ω 1/4W	
R106	30693332970	3.3kΩ	
R107/R109	30693331970	330Ω	
R108	3069471970	470Ω	
R110	3069101276	100Ω 1/4W	
R111	3069683970	68kΩ	
LR112	3069104970	100kΩ	
R113/R114	3069104970	100kΩ	
LR115	3069473970	47kΩ	
-LR118			
R119	30693332970	3.3kΩ	
R120	3069103970	10kΩ	
R121	3069101276	100Ω 1/4W	
R122	3069183970	18kΩ	
R123	3069820970	82Ω	
R124/R125	3069103970	10kΩ	
R126	3069222970	2.2kΩ	
R127	3069101970	100Ω	
R128/R129	3069104970	100kΩ	
R130	3069473970	47kΩ	
R131	3069103970	10kΩ	
R132	3069101276	100Ω 1/4W	
R133	3069152970	1.5kΩ	
R134	3069102970	1kΩ	
R135	3069101970	100Ω	
R136-R138	3069102970	1kΩ	
R139	3069101276	100Ω 1/4W	
R140/R142	3069473970	47kΩ	
R141/R143	3069472970	4.7kΩ	
LR144	3069473970	47kΩ	
LR145	3069472970	4.7kΩ	
R146	3069153970	15kΩ	
R147	3069102970	1kΩ	
R148/R149	3069510970	51Ω	
R150	3069101276	100Ω 1/4W	
R151	3069223970	22kΩ	
R152/R154	3069103970	10kΩ	
R153	3069223970	22kΩ	
R155	3069470276	47Ω 1/4W	

Ref. No	Part No.	Description	Remark
R156L/R	3069392970	3.9kΩ	
R157	3069222970	2.2kΩ	
R158	3069104970	100kΩ	
R159/R161	3069432970	4.3kΩ	
R160	3069103970	10kΩ	
R162-R165	3069103970	10kΩ	
R166	3069473970	47kΩ	
R167/R168	3069103970	10kΩ	
R173L/R	3069102970	1kΩ	
R174L/R	3069104970	100kΩ	
R175	3069330276	33Ω 1/4W	
R176L/R	3069104970	100kΩ	
R177L/R	3069153970	15kΩ	
R178L/R	3069102970	1kΩ	
R179L/R	3069564970	560kΩ	
R180L/R	3069433970	43kΩ	
R181L/R	3069471970	470Ω	
R182L/R	3069473970	47kΩ	
R183	3069223970	22kΩ	
R184	3069203970	20kΩ	
R185	3069101276	100Ω 1/4W	
R186L/R	3069102970	1kΩ	
R187L/R	3069224970	220kΩ	
R188L/R	3069102970	1kΩ	
R189L/R	3069224970	220kΩ	
R190L/R	3069102970	1kΩ	
R191L/R	3069224970	220kΩ	
R192L/R	3069102970	1kΩ	
R193L/R	3069224970	220kΩ	
R194L/R	3069121970	120Ω	
-R197L/R			
R198	3069102970	1kΩ	D
LR198	3069473970	47kΩ	
LR199	3069473970	47kΩ	
R199	3069102970	1kΩ	
R199	3069102970	1kΩ	
R169/R170	3248020343	Semi 20kΩ	LW only LW only
R171	3248050243	Semi 5kΩ	
R172	3248047443	Semi 470kΩ	
Transistors			
Q101	2008409101	NPN LM9018	LW only
LQ102	2208606104	NPN TC1815Y	
LQ103	2208606104	NPN TC1815Y	
LQ104	2208606104	NPN TC1815Y	
LQ105	2208606104	NPN TC1815Y	
LQ106	2208606104	NPN TC1815Y	
LQ107	2208606104	NPN TC1815Y	
Q108	2208606108	NPN 2SC2240BL	
Q109	2018211100	FET 2S168	
Q110	2208206105	PNP TA1015Y	
Q111	2208206105	PNP TA1015Y	
LQ112	2208206105	PNP TA1015Y	
Q113	2208622107	NPN 2SC1740	
Q114	2208622107	NPN 2SC1740	
Q115	2208622106	NPN DTC114YS	
Q116	2208622106	NPN DTC114YS	
Q117	2208206105	PNP TA1015Y	
X-TAL101	3908101030	7.2MHz	

Ref. No	Part No.	Description	Remark
Main Board 400202100			
Capacitors			
C201/R202	3509103450	Ceramic 0.01 μ F 500V J	D
C203	3509103450	Ceramic 0.01 μ F 500V J	
C204	3509103450	Ceramic 0.01 μ F 500V J	
C205	3419547225	Electric SA 4700 μ F 50V M	RX2010 only
C205	3419533294	Electric SA 3300 μ F 40V M	RX1010 only
C206	3419547225	Electric SA 4700 μ F 50V M	RX2010 only
C206	3419533294	Electric SA 3300 μ F 40V M	RX1010 only
C207	3479210271	Electric SA 1000 μ F 50V M	
C208	3479247031	Electric SA 47 μ F 16V M	
C209L/R	3579509130	Ceramic 5pF 50V J	RX1010 only
C210	3479247071	Electric SA 47 μ F 50V M	
C211	3479210171	Electric SA 100 μ F 50V M	
C212	3479222071	Electric SA 22 μ F 50V M	
C213	3479233971	Electric SA 3.3 μ F 50V M	
C214	3479222061	Electric SA 22 μ F 35V M	RX2010 only
C214	3479210061	Electric SA 10 μ F 35V M	RX1010 only
C215L/R	3679473120	Mylar 0.047 μ F 100V J	
C216L/R	3579473130	Ceramic 0.047 μ F 50V J	
C217L/R	3579101130	Ceramic 100pF 50V J	
C218L/R	3479222061	Electric SA 22 μ F 35V M	
C219L/R	3579473130	Ceramic 0.047 μ F 50V J	
C220L/R	3579101130	Ceramic 100pF 50V J	RX2010 only
C221L/R	3579200130	Ceramic 20pF 50V J	
C222L/R	3579101130	Ceramic 100pF 50V J	
C223L/R	3579820130	Ceramic 82pF 50V J	
C224	3479222071	Electric SA 22 μ F 50V M	
C225L/R	3479247971	Electric SA 4.7 μ F 50V M	
C226L/R	3479233061	Electric SA 33 μ F 35V M	RX2010 only
C226L/R	3479222061	Electric SA 22 μ F 35V M	RX1010 only
C227L/R	3479222031	Electric SA 22 μ F 16V M	
C228L/R	3679223120	Mylar 0.022 μ F 100V J	
C229L/R	3679332120	Mylar 0.0033 μ F 100V J	
C230L/R	3579309130	Ceramic 3pF 50V J	
C231L/R	3679683120	Mylar 0.068 μ F 100V J	
C232L/R	3679153120	Mylar 0.015 μ F 100V J	
C233L/R	3579103130	Ceramic 0.01 μ F 50V J	RX2010 D
C234L/R	3579103130	Ceramic 0.01 μ F 50V J	RX2010 D
C235	3579104130	Ceramic 0.1 μ F 50V J	D
C404L/R	3579472130	Ceramic 0.0047 μ F 50V J	D
C405L/R	3579472130	Ceramic 0.0047 μ F 50V J	D
C406L/R	3579103130	Ceramic 0.01 μ F 50V J	D
C407L/R	3579103130	Ceramic 0.01 μ F 50V J	D
Coil			
L201L/R	2648001010	Inductor, 0.5mH	
Connectors			
CNT1	4428505710	Plug 3P	
CNT4	4428505610	Plug 4P	
CNT5	4428506910	Plug 5P	
CNT6	4428505810	Plug 6P	
CNT9	4428525810	Plug 5P	
CNT10	4428508210	Plug 2P	
CNT11	4428505710	Plug 3P	
CNT14	4358104409	Plug 3P	RX2010 only
CNT15	4358104409	A'ssy 4P 440mm to Main B'D	RX2010 only

Ref. No	Part No.	Description	Remark
Diodes			
D201	2058100136	1N5402	
D202	2058100136	1N5402	
D203	2058100136	1N5402	
D204	2058100136	1N5402	
D205	2258100135	1N4002	
D206	2258100135	1N4002	
D207	2058306101	1N4148	
D208	2058306101	1N4148	
D209	2258599109	Zener, 15V	
D210	2258100135	1N4002	
D211	2258100135	1N4002	
D212	2258100135	1N4002	
D213	2258599104	Zener, 5.6V	
D214	2258599115	Zener, 27V	
D215	2258599103	Zener, 5.1V	
D216	2258599112	Zener, 20V	RX2010 only
D217	2258599109	Zener, 15V	RX1010 only
Fuses			
F201	5508203021	NB 5A/125V	RX2010 only
F201	5508202930	NB 4A/125V	RX1010 only
F202	5508203021	NB 5A/125V	RX2010 only
F202	5508202930	NB 4A/125V	RX1010 only
IC			
IC201	2168601105	Regulator, GD7815	
Resistors			
R201	3029330572	M.O., 33 2W	RX2010 only
R201	3029150572	M.O., 15 2W	RX1010 only
R202	3029151572	M.O., 150 2W	
R203	3069271970	270 Ω	
R204	3069562970	5.6k Ω	
R205	3069332970	3.3k Ω	
R206	3069823970	82k Ω	
R207	3069103970	10k Ω	
R208	3069470970	47 Ω	RX2010 only
R208	3069101970	100 Ω	RX1010 only
R210L/R	3029100472	M.O., 10 Ω 1W	
R211L/R	3029100472	M.O., 10 Ω 1W	
R212L/R	3059278676	C., 0.27 Ω 3W	RX2010 only
R212L/R	3059278676	C., 0.27 Ω 2W	RX1010 only
R213L/R	3059278676	C., 0.27 Ω 3W	RX2010 only
R213L/R	3059278676	C., 0.27 Ω 2W	RX1010 only
R214L/R	3069471970	470 Ω	
R215L/R	3069562970	5.6k Ω	
R216L/R	3069152970	1.5k Ω	
R217L/R	3069392970	3.9k Ω	
R218L/R	3069123970	12k Ω	
R219L/R	3069182970	1.8k Ω	
R220L/R	3069103970	10k Ω	
R221	3069224970	220k Ω	
R222	3029182572	M.O., 1.8k Ω 2W	
R223L/R	3069122970	1.2k Ω	
R224	3069108970	1 Ω	
R224L/R	3069152970	1.5k Ω	RX2010 only
R224L/R	3069202970	2k Ω	RX1010 only

Ref. No	Part No.	Description	Remark
R225L/R	3069104970	100kΩ	
R226L/R	3069274970	270kΩ	
R227L/R	3069471970	470Ω	
R228L/R	3069102970	1kΩ	
R229L/R	3069332970	3.3kΩ	
R230L/R	3069821970	820Ω	
R231L/R	3069152970	1.5kΩ	
R232L/R	3069473970	47kΩ	
R233L/R	3069393970	39kΩ	
R234L/R	3069154970	150kΩ	
R235L/R	3069332970	3.3kΩ	
R236L/R	3069153970	15kΩ	
R237	3069333970	33kΩ	
VR201L/R	3069104970	100kΩ (C)	
VR202L/R	3069104970	100kΩ (C)	
VR203	3069104970	100kΩ (S/W)	

Transistors			
Q201	2208206105	TA1015	
Q202L/R	2028416107	2SC3854	RX2010 only
Q202L/R	2028400104	BD911	RX1010 only
Q203L/R	2028116104	2SA1490	RX2010 only
Q203L/R	2028100101	BD912	RX1010 only
Q204L/R	2228406120	2SC2235	RX2010 only
Q204L/R	2208606114	MPS A06	RX1010 only
Q205L/R	2228106107	2SA965	RX2010 only
Q205L/R	2208100113	MPS A56	RX1010 only
Q206L/R	2208606114	MPS A06	
Q207L/R	2008606107	2SC2229	RX2010 only
Q207L/R	2208606114	MPS A06	RX1010 only
Q208L/R	2008613115	UPA75HA	
Q209	2208606114	MPS A06	
Q210	2208606114	MPS A06	
Q211L/R	2208606112	2SD1302	

Front Board 4002021010			
Capacitors			
C301L/R	3579391130	Ceramic	390pF 50V J
C302L/R	3679563120	Mylar	0.056μF 100V J
C303	3479210971	Electric SA	1μF 50V M
C304-C308	3579101130	Ceramic	100pF 50V J
C309	3479210131	Electric SA	100μF 10V M
C310	3439147312	Electric SA	0.047μF 5.5V M
C311	3579103130	Ceramic	0.01μF 50V J
C312	3529270210	Ceramic	27pF 50V J
C313	3529270210	Ceramic	27pF 50V J
C314/C315	3679103120	Mylar	0.01μF 100V J
C316/C317	3579104130	Ceramic	0.1μF 50V J
Connectors			
CNT2	4119107263	Slat wire 7P 260mm to Front B'D	
CNT3	4358104183	Shield A'ssy 4P 180mm to Front B'D	
CNT4	4358104307	Shield A'ssy 4P 280mm to Front B'D	
CNT5	4119105303	Slat 5P 300mm to Front B'D	
CNT8	4358102184	Ass'y 2P 180mm to Front B'D	

Ref. No	Part No.	Description	Remark
Diodes			
D301	2258599107	Zener 9.1V	
D302-D307	2058306101	1N4148	
D310	2258599103	Zener 5.1V	
D313	2208220115	LED SLC22UR3	

IC			
IC301	2138313153	CPU DWP504	

Resistors			
R301L/R	3069823970	82kΩ	
R302L/R	3069103970	10kΩ	
R304	3069682970	6.8kΩ	
R305/R306	3069473970	47kΩ	
R307-R311	3069102970	1kΩ	
R312-R315	3069473970	47kΩ	
R316-R325	3069562970	5.6kΩ	
R326	3069103970	10kΩ	
R327	3069390970	39Ω	
R328	3069821970	820Ω	
R329	3069562970	5.6kΩ	
R330	3069105970	1MΩ	
R331	3069473970	47kΩ	
R332	3069122970	1.2kΩ	
R333	3069362970	3.6kΩ	
R334	3069391970	390Ω	
R335	3069103970	10kΩ	
R336/R337	3069472970	4.7kΩ	
R338	3069103970	10kΩ	
R339	3069151970	150Ω	
R303L/R	3069104970	VR100kΩ (B)	

Transistors			
Q301	2208206105	TA1015Y	
Q302/Q303	2208606104	TC1815Y	
X-TAL301	3938131460	Resonator, 4.19MHz	

Power Board 4002021020			
Capacitors			
C401	3549472410	Ceramic	4700pF 400V J
C402/C403	3579102130	Ceramic	1000pF 50V J
Connectors			
CNT6	4357506280	Plat A'ssy 6P 280mm to Power B'D	
CNT7	4357508350	Plat A'ssy 8P 350mm to Power B'D	
CNT12	4428525780	Plug 2P	
Resistors			
R401/R402	3029221572	M.O., 220 2W	

Ref. No	Part No.	Description	Remark
Others			
·	2828081001	Power Transfomer	RX2010 D
·	2828080901	Power Transfomer	RX1010 D
·	2828080001	Power Transfomer (29WP177S SMD)	RX2010 A
·	2828080101	Power Transfomer (29WP176KS SMD)	RX1010 A

Outlet Board(A) 4002021030 (EU) 4002021040			
Fuses			
F501	5508202921	NB 4A/125V	
F501	5508301635	T 0.5A/250V	
F502	5508302335	T 1.6A/250V	
Resistor			
R501	3009335373	3.3M 1/2W	

Jack Board 4002021050			
Connectors			
CNT14	4428505610	Plug 4P	RX2020
CNT15	4428505610	Plug 4P	RX2010

Mechanical Parts List (RX-2010 Only)

No.	Description	Part No.	Q'ty	Remark
1	Cover Top, Black	046122021321	1	
2	Cover Bottom	6122416210	1	
3	Foot Base (A), Black	046033101611	2	
4	Panel Front, Black	048501019211	1	
5	Window F/L	048553012511	1	
6	Guide F/L	6033008510	1	
7	Knob Power	8545074310	1	
8	Spring Power	6555004380	1	
9	Knob Speaker	8545081410	2	
10	Knob Volume	8543034510	1	
11	Guide Volume	8543034610	1	
12	Knob Blance	048543034711	3	
13	Knob Tact (A)	8542002010	2	
14	Knob Tact (B)	8543032410	2	
15	Knob Tact (C)	8543032510	1	A, B
16	Bazzel Ring	048525007611	1	A, B
17	Knob Tune (B)	048543011411	1	A, B
18	Knob Tune (A)	048543032611	1	C, D, E, F
19	Knob Push, Tape M.	8543032710	1	
20	Knob Push, Vedio/Aux	048543032711	1	
21	Knob Push, Tuner	048543032712	1	
22	Knob Push, CD	048543032713	1	
23	Knob Push, Phone	048543032714	1	
24	Insert Button	6055003210	5	
25	Spring Push	6555002510	5	
26	Badge	048535031911	1	
27	Knob Loud	8545081310	1	
28	Frame Side (L)	6122631110	1	
29	Foot Base (B)	6033101610	2	A
(29)	Foot Base (B)	046033101611	2	B, C, D, E, F
30	Frame Side (R)	6122631010	1	
31	VR Main	3208060610	1	
32	Switch Power	4628055910	1	
33	Switch Push, Speaker	4628058210	2	
34	Jack Phone	4438005210	1	
35	Washer	8309040011	1	
36	Switch Push, Loud	4628054410	1	
37	Switch Tact	4658003710	18	
38	VR Treble: Bass	3208060410	2	
39	VR Blance	3208060510	1	
40	EXT AL Heatsink	750312610	1	
41	Heatsink Regulator	7505206130	1	
42	Heatsink Bracket	6503018210	1	
43	Voltage Selector	4618007610	1	A, C, D, E, F
43	Voltage Selector	4618007610	2	B
44	Terminal Speaker	4408105510	1	
45	Out Let (2P)	4448102810	1	A, B, E
45	Out Let (1P)	4448103610	1	C, D, F
46	Switch Push, 5Key	4628057810	1	
47	Not used !			
48	Jack RCA (4P)	4438103110	3	
49	Jack RCA (2P)	4338405610	1	
50	Not used !	4438101010	1	
51	Terminal Antena	4408001510	1	A, B
(51)	Terminal Antena	4408001610	1	C, D, E, F
52	Chassis Back, Black	046102019421	1	A
(52)	Chassis Back, Black	046102019431	1	B
(52)	Chassis Back, Black	046102019441	1	C
(52)	Chassis Back, Black	046102019451	1	D
(52)	Chassis Back, Black	046102019461	1	E
(52)	Chassis Back, Black	046102019471	1	F
53	Cord AC Power, Black	4308001410	1	A, B
(53)	Cord AC Power, Black	4308002310	1	C, D, F

No.	Description	Part No.	Q'ty	Remark
(53)	Cord AC Power, Black	4308000610	1	E
54	Stopper Cord, Black	6518000710	1	A, B
(54)	Stopper Cord, Black	6518000111	1	C, D, F
(54)	Stopper Cord, Black	6518000210	1	E
55	Ground Screw	4408104910	1	
56	FL FIP7TM8	2328130923	1	
57	Transformer	2828080101	1	A
(57)	Transformer	2828081001	1	C, D
58	Shield Fence, Main	6163109510	1	
59	Shield Fence, Front	6163109410	1	
60	Not used !		1	
61	Space Support	6715019510	2	

Screws

No.	Description	Part No.	Q'ty	Remark
S1	#2BTC 3×8 ZNB	8109230083	24	
S2	#2WPTC 3×10 ZNY	8159230101	1	
S3	#2WPTC 3×8 ZNY	8159230081	15	
S4	#2BTC 3×8 ZNY	8109230081	24	
S5	#WSAM 4×8 ZNB	8159440083	6	
S6	#WSAM 4×8 ZNY	8159440081	4	
S7	#2BTC 4×6 ZNY	8119240061	1	

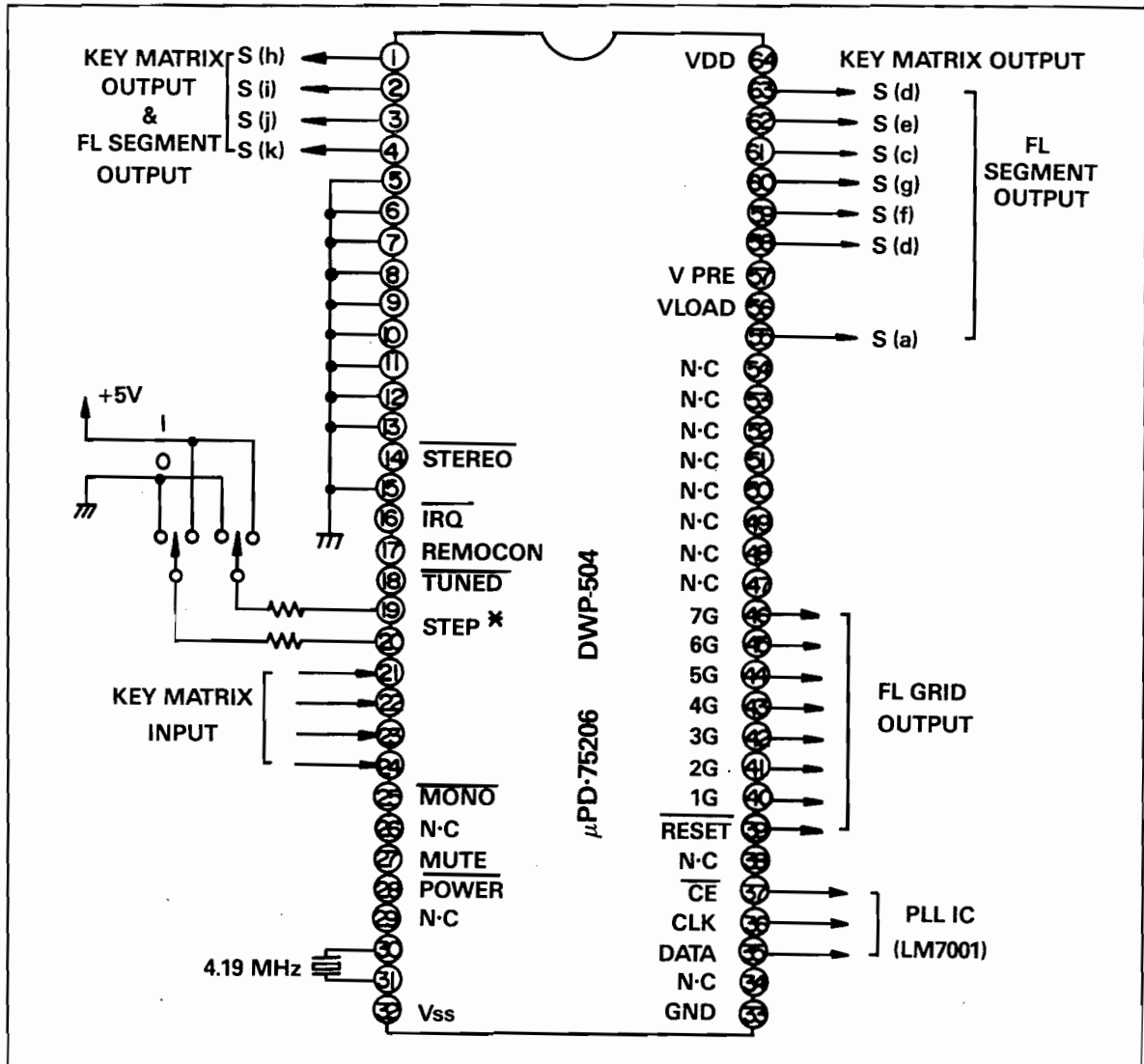
Mechanical Parts List (RX-1010 Only)

No.	Description	Part No.	Q'ty	Remarks
1	Cover Top, Black	046122021331	1	
2	Cover Bottom	6122416210	1	
3	Foot Base (A)	046033101611	2	
4	Panel Front, Black	048501019211	1	
5	Window F/L	048553012511	1	
6	Guide F/L	6033008510	1	
7	Knob Power	8545074310	1	
8	Spring Power	6555004380	1	
9	Knob Speaker	8545081410	2	
10	Knob Volume	8543034510	1	
11	Guide Volume	8543034610	1	
12	Knob Blance	048543034711	3	
13	Knob Tact (A)	8542002010	2	
14	Knob Tact (B)	8543032410	2	
15	Knob Tact (C)	8543032510	1	A,B
16	Bazzel Ring	048525007611	1	A,B
17	Knob Tune (C)	048543011411	1	A,B
18	Knob Tune (A)	048543032611	1	C,D,E,F
19	Knob Push	8543032710	1	C,F
20	Knob Push, Tape M.	048543032711	1	
21	Knob Push, Tuner	048543032712	1	
22	Knob Push, CD	048543032713	1	
23	Knob Push, Phone	048543032714	1	
24	Insert Button	6055003210	4	
25	Spring Push	6555002510	4	
26	Badge	048535031911	1	
27	Knob Loud	8545081310	1	
28	Frame Side (L)	6122631110	1	
29	Foot Base (B)	6033101610	2	A only
(29)	Foot Base (B)	046033101611	2	B,C,D,E,F
30	Frame Side (R)	6122631010	1	
31	VR Main	3208060610	1	
32	Switch Power	4628055910	1	
33	Switch Push, Speaker	4628058210	2	
34	Jack Phone	4438005210	1	
35	Washer	8309040011	1	
36	Switch Push, Loud	4628054410	1	
37	Switch Tact	4658003710	18	
38	VR Treble/Bass	3208060410	2	
39	VR Blance	3208060510	1	
40	EXT AL Heatsink	750312610	1	
41	Heatsink Regulator	7505206130	1	
42	Heatsink Bracket	6503018210	1	
43	Voltage Selector	4618007610	1	A,C,D,E,F
44	Voltage Selector	4618007610	2	B
44	Terminal Speaker	4408105510	1	
45	Out Let (2P)	4448102810	1	A,B,E
45	Out Let (1P)	4448103610	1	C,D,F
46	Not used !			
47	Switch Push, 4Key	4628057910	1	
48	Jack RCA (4P)	4438103110	3	
49	Jack RCA (2P)	4338405610	1	
50	Jack RCA (2P)	4438101010	1	
51	Terminal Antena	4408001510	1	A,B
(51)	Terminal Antena	4408001610	1	C,D,E,F
52	Chassis Back, Black	046102019421	1	A
(52)	Chassis Back, Black	046102019431	1	B
(52)	Chassis Back, Black	046102019441	1	C
(52)	Chassis Back, Black	046102019451	1	D
(52)	Chassis Back, Black	046102019461	1	E
(52)	Chassis Back, Black	046102019471	1	F
53	Cord AC Power, Black	4308001410	1	A,B
(53)	Cord AC Power, Black	4308002310	1	C,D,F

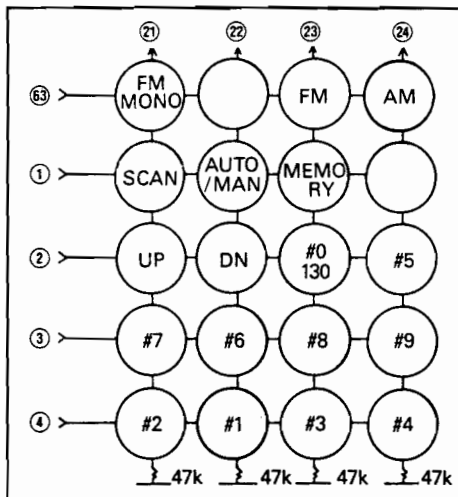
No.	Description	Part No.	Q'ty	Remarks
(53)	Cord AC Power, Black	4308000610	1	E
54	Stopper Cord, Black	6518000710	1	A,B
(54)	Stopper Cord, Black	6518000111	1	C,D,F
(54)	Stopper Cord, Black	6518000210	1	E
55	Ground Screw	4408104910	1	
56	FL FIP7TM8	2328130923	1	
57	Transformer	2828080101	1	A
(57)	Transformer	2828081001	1	C,D
58	Shield Fence, Main	6163109510	1	
59	Shield Fence, Front	6163109410	1	
60	Space Support	6715019110	1	C,D,F
61	Space Support	6715019510	2	
Screws				
S1	#2BTC 3×8 ZNB	8109230083	23	
S2	#2WPTC 3×10 ZNY	8159230101	1	
S3	#2WPTC 3×8 ZNY	8159230081	15	
S4	#2BTC 3×8 ZNY	8109230081	24	
S5	#WSAM 4×8 ZNB	8159440083	6	
S6	#WSAM 4×8 ZNY	8159440081	4	
S7	#2BTC 4×6 ZNY	8119240061	1	

IC Lead Identification and Internal Diagram

Pin Assignment (IC301)



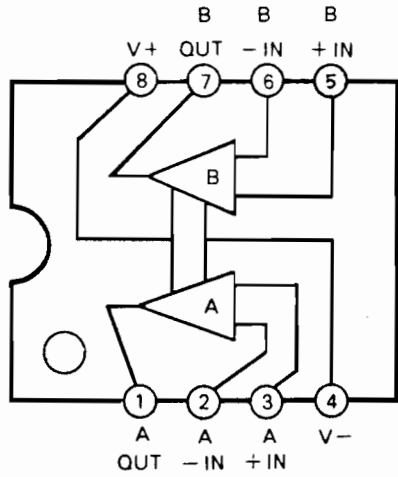
Key Matrix of Input & Output



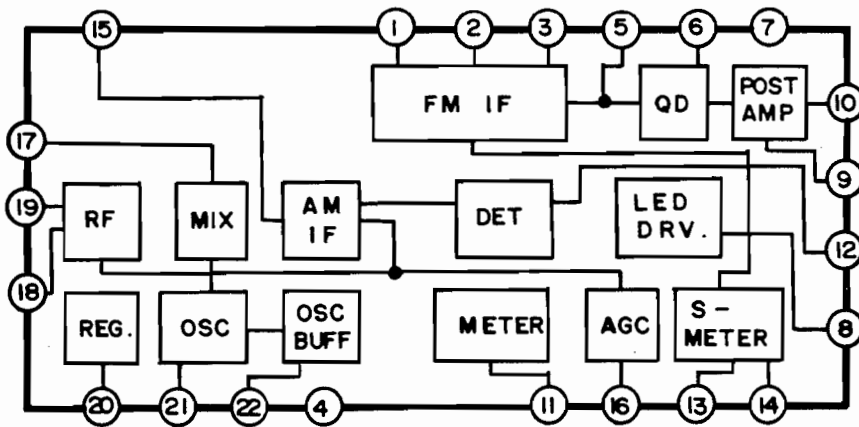
Step (Band) Selector

PIN NO.	19	20
U.S.A	1	1
KOREA	1	0
EUROPE (3)	0	1
EUROPE (2)	0	0

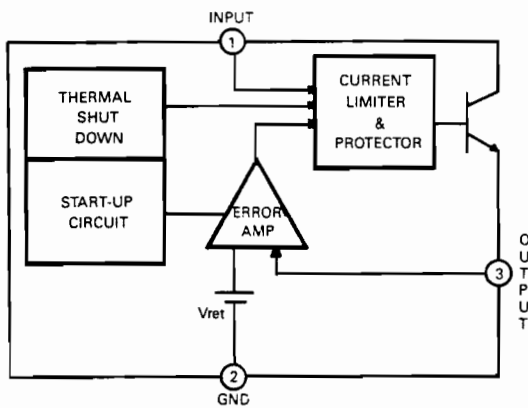
NJM4558DD: IC104 (Dual OP Amp)



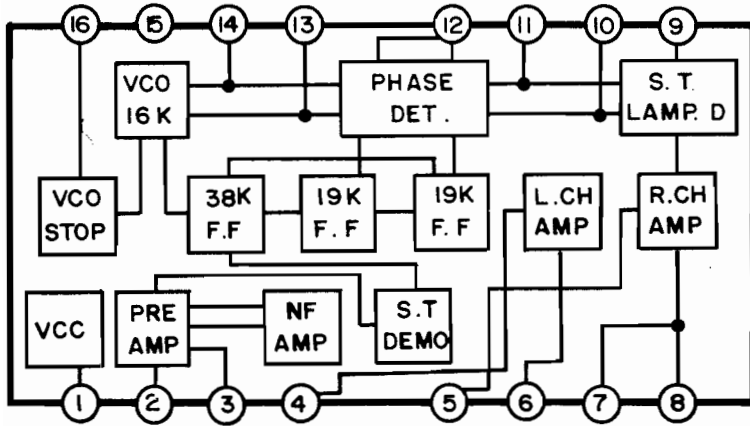
LA1265: IC101 (IF)



GD7815: IC201



AN7470: IC103 (MPX)



LM7001: IC102 (PLL)

