

SERVICE MANUAL

SKANTIC

LUXOR

8103



TYPE
150 2003

KASSETTDEL

CASSETTE RECORDER

CASSETTENTEIL

Frekvensområde
Frequency response
Frequenzbereich

FUJI FX-1 20 - 14 000 Hz
CrO₂ super 20 - 15 000 Hz

Distorsion
Distortion
Klirrfaktor

1 000 Hz

1,0 %

Störavstånd
Signal/noise ratio
Störabstand

FUJI FX-1 60 dB
CrO₂ super 60 dB

Överhörning
Crosstalk
Übersprechen

≥ 40 dB

Raderdämpning vid 1 000 Hz
Erase efficiency at 1 000 Hz
Löschdämpfung bei 1 000 Hz

≥ 60 dB

Svajning
Wow and flutter
Tonhörschwankung

± 0,35 %

Bandhastighet
Tape speed
Bandgeschwindigkeit

4,75 cm/s

Hastighetsavvikelse
Speed deviation
Geschwindigkeitsabweichung

± 2,0 %

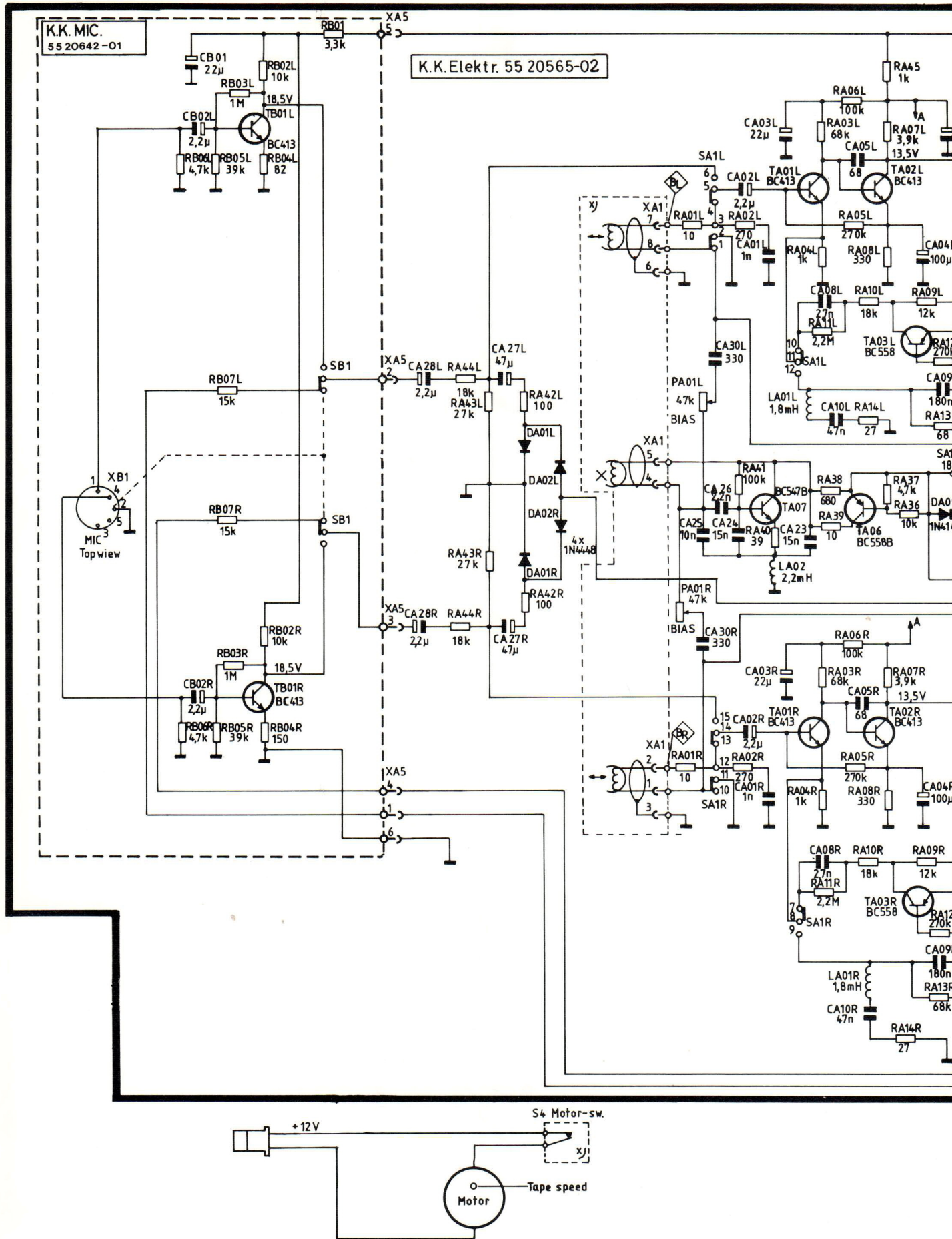
Snabbspolning
Fast wind
Schnellspulung

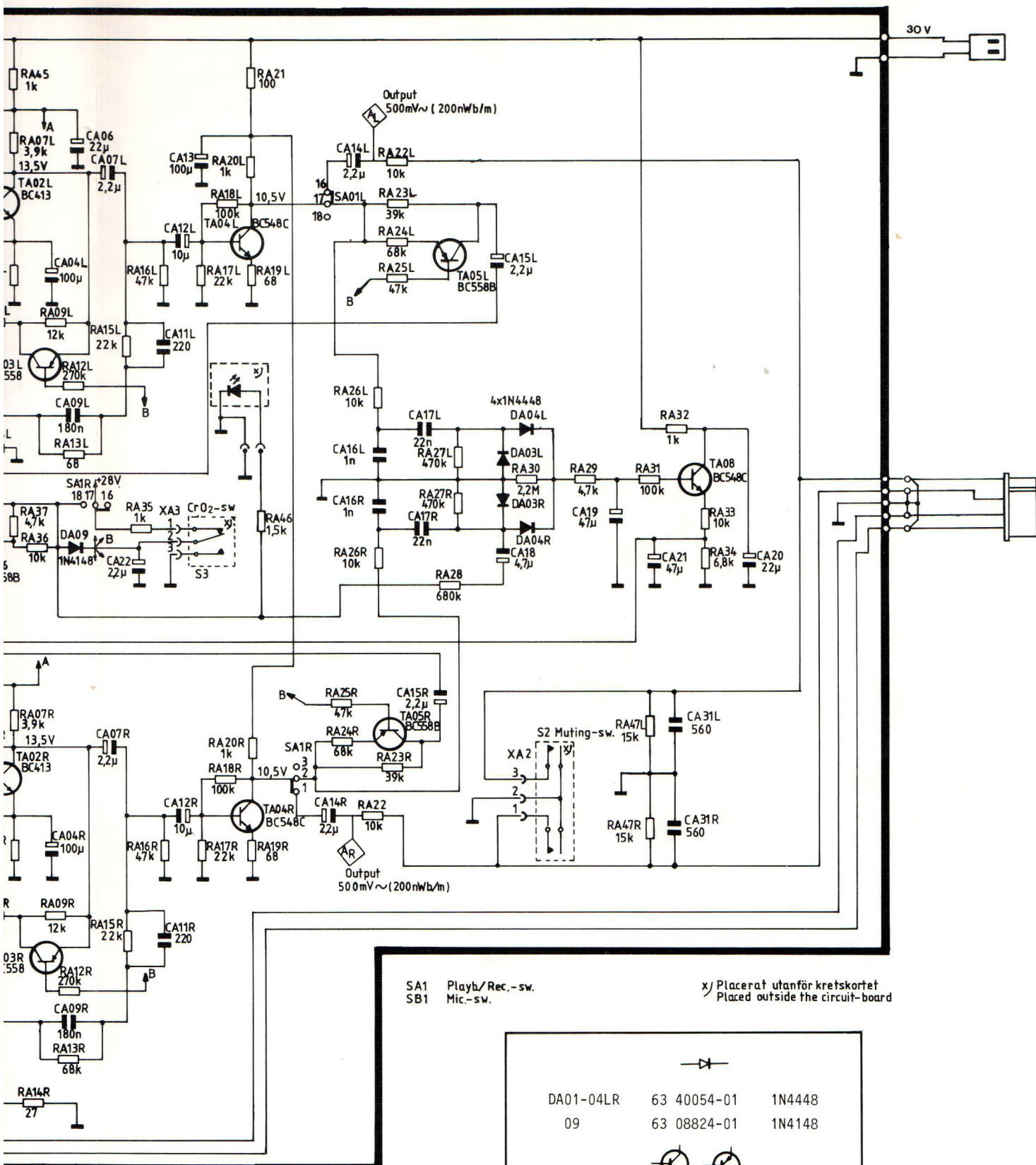
90 s (C-60)

KOPPLINGSSCHEMA
KASSETTDEL

CIRCUIT DIAGRAM
CASSETTE UNIT

SCHALTSCHEMA
CASSETTEN-TEIL



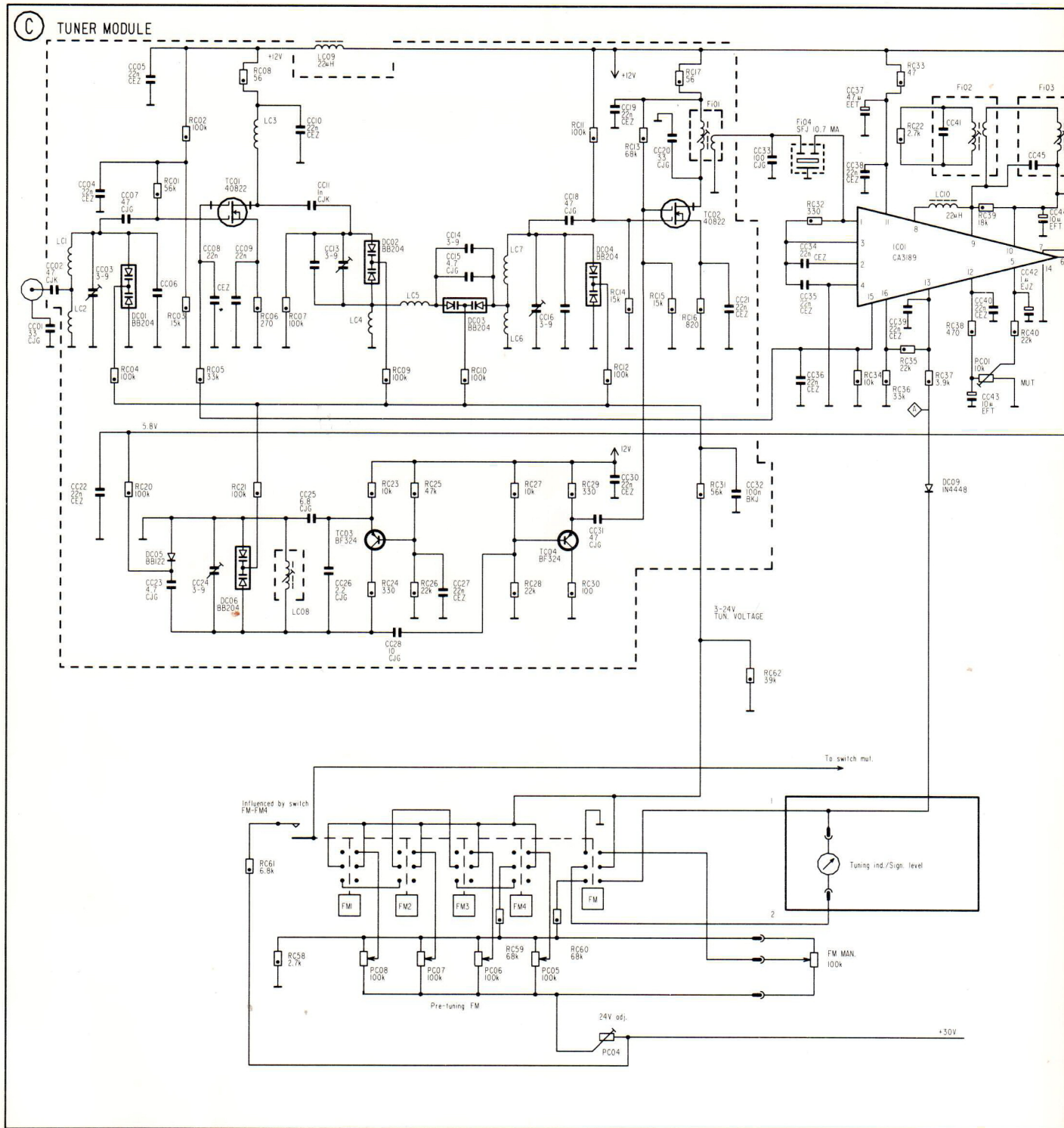


SA1 Playb/Rec.-sw.
SB1 Mic.-sw.

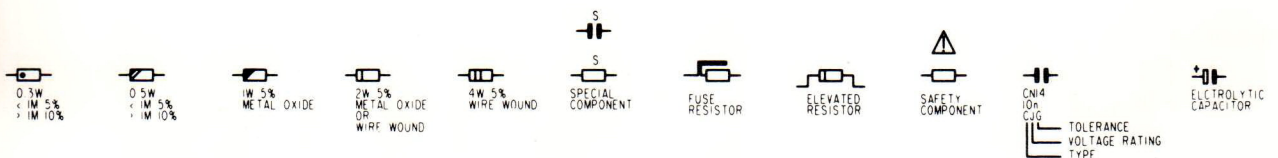
x/ Placerat utanför kretskortet
Placed outside the circuit-board

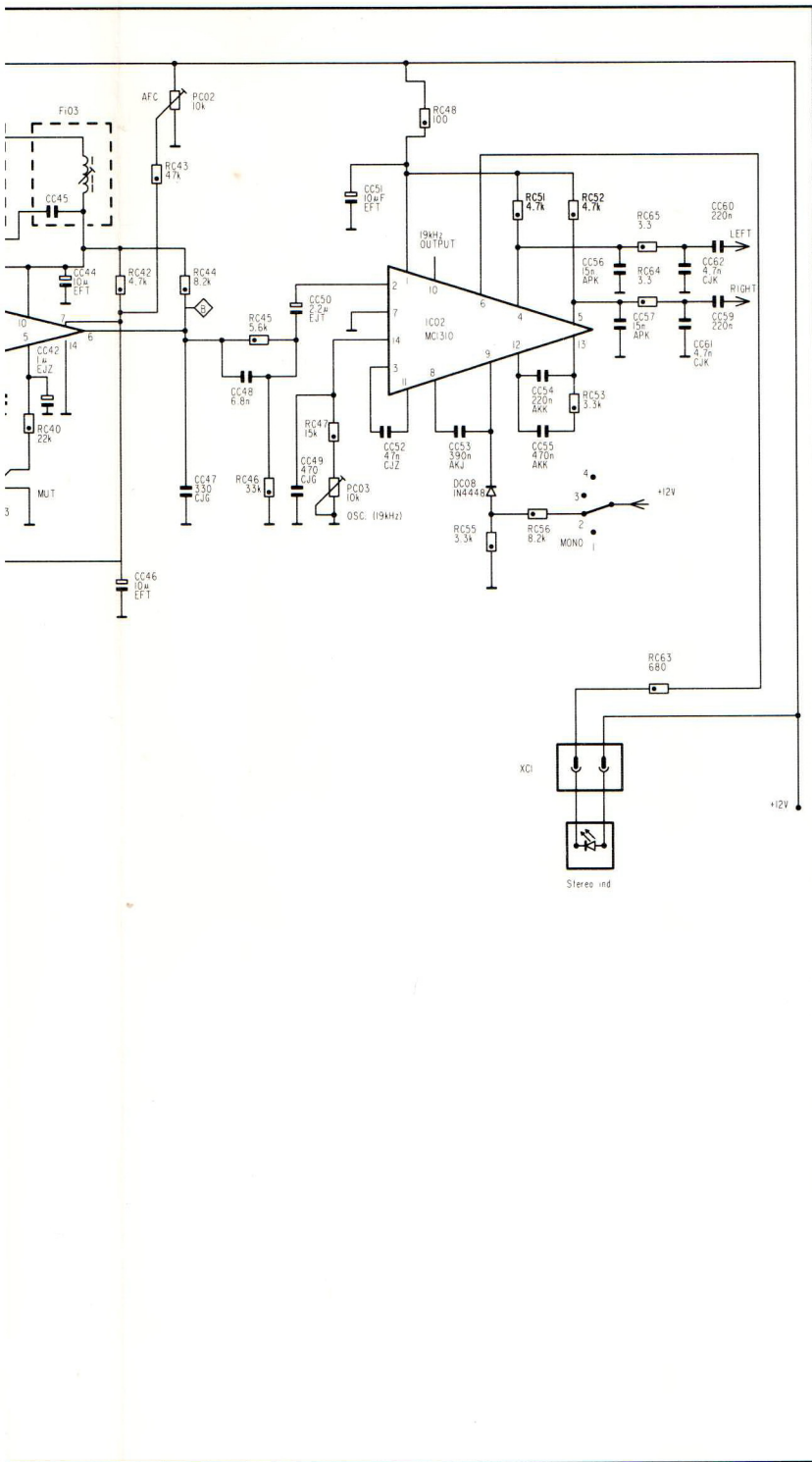
LA01LR	59 00226-01	1.8mH
02	59 00222-01	2.2mH
PA01LR	61 17705-01	47kΩ

DA01-04LR	63 40054-01	1N4448
09	63 08824-01	1N4148
TA01-02LR	63 10051-01	BC413C
03LR	63 10041-01	BC558B
04LR	63 10021-01	BC548C
05LR	63 10041-01	BC558B
06	63 10041-01	BC558B
07	63 10011-01	BC547B
08	63 10021-01	BC548C
TB01LR	63 10051-01	BC413C



COMPONENT SYMBOLS

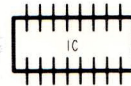
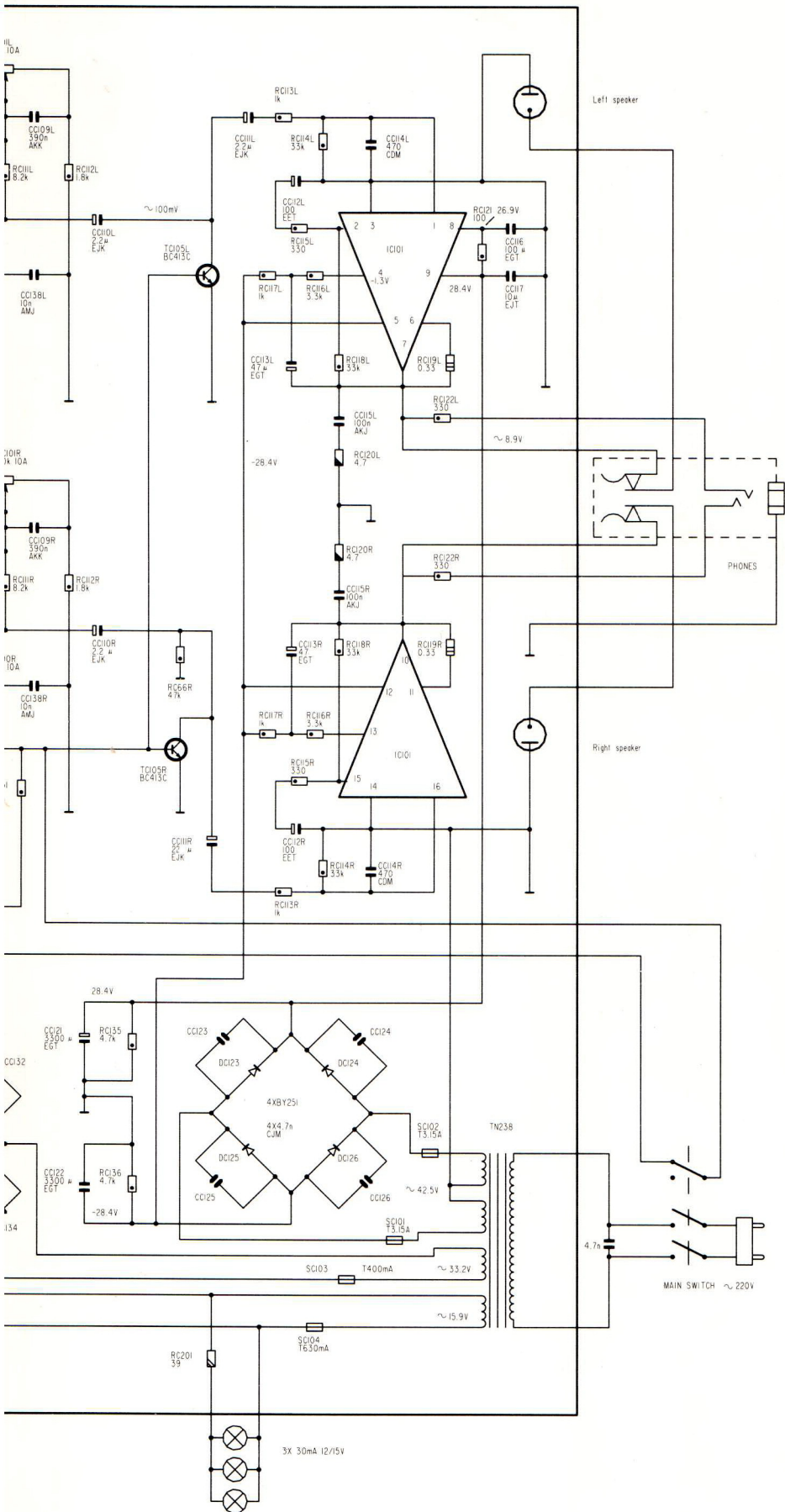




		IC01	64 00032-01	CA3189
		02	64 10004-01	MC1310P
		TC01-02	63 00020-01	40822
			59 57502-01	Ferrit pearl
		03-04	63 00021-01	BF324
		DC01-04, 06	63 08865-03	BB204
		05	63 41315-02	BB122
		08-09	63 40054-01	1N4448
		Stereo ind	63 50004-01	LED green
		PC01-04	61 17961-01	10kΩ, 0.1W
		05-08	61 70079-01	100kΩ
		FM MAN	61 70029-01	100kΩ Tuning
		S101-102	65 89567-01	T3.15A
		103	65 83974-01	T400mA
		104	65 83975-01	T630mA
		LC01,03	59 10090-01	RF-coil
		02	59 10095-01	Antenna coil
		05	59 10091-01	RF-coil
		07	59 10092-01	RF-coil
		08	59 00244-01	Osc.coil
		09	59 00221-01	Choke 22μH
		10	59 00242-01	Choke 22μH
		Fi01	59 40363-01	MF-filter
		02	59 40362-01	Coil
		03	59 40361-01	Coil
		04	63 90016-01	Ceramic filter 10.7MHz

CAPACITOR CLASSIFICATION TABLE

TYPE	CODE	VOLTAGE RATING	CODE	VOLTAGE RATING	CODE	TOLERANCE	CODE
POLYESTER	A	3 V	A	250 V	M	1%	F
POLYCARBONATE	B	6	B	350	N	2	G
CERAMIC	C	10	C	385	O	2.5	H
POLYSTYRENE (STYROL)	D	16	D	400	P	5	J
ELECTROLYTIC	E	25	E	450	R	10	K
POLYPROPYLENE	F	35	F	500	S	20	M
MET. PAPER	P	40	G	630	T	-20+80	Z
TANTALUM	T	50	H	1000	U	-10+50	T
		63	J	1500	W	-10+75	X
		100	K	2000	X		
		160	L				



IC101	64	10022-01	STK461
102	64	50006-01	MC78M12 (12V/0.5A)
103	64	50020-01	MC78M18 (18V/0.5A)
104	64	50019-01	MC78M12 (12V/1A)



TC101LR-105LR	63	10051-01	BC413C
---------------	----	----------	--------



DC101	63	08824-01	1N4148
123-126	63	40124-01	1N5401
127-134	63	40068-01	1N4002



Rec. ind	63	40071-03	LED red
----------	----	----------	---------



PC100LR	61	70072-01	50kΩx2 Treble
101LR	61	70072-01	50kΩx2 Bass
102	61	70074-01	50kΩ Balance
103LR	61	70073-01	50kΩx2 Volume