

# SERVICE MANUAL

SKANTIC

LUXOR

Juni 1980  
June



TYPE 110 9105

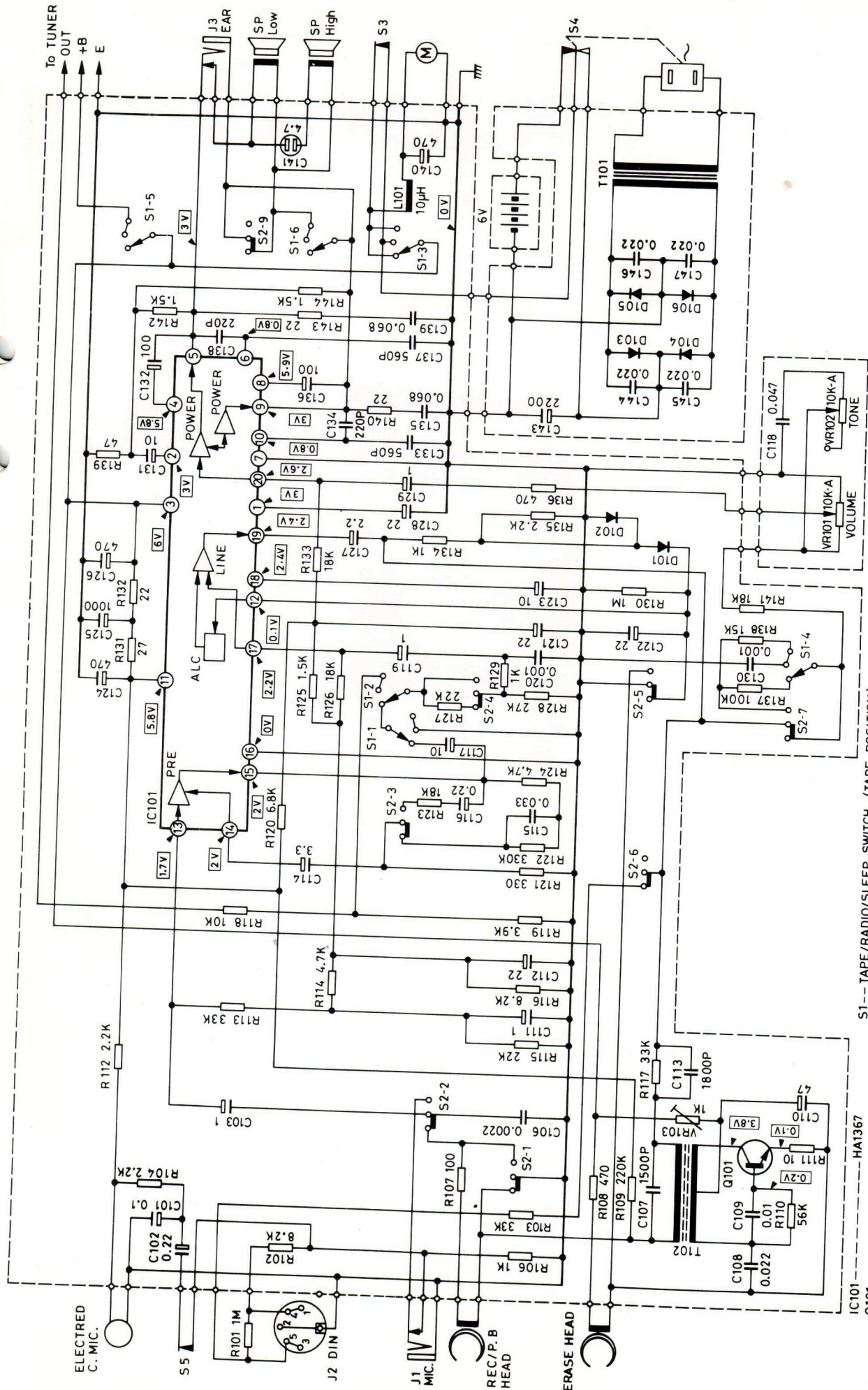


220 V, 50 Hz AC  
+ 6 V DC



FM 88 — 104 MHz  
LW 150 — 300 kHz  
MW 525 — 1605 kHz  
SW 6 — 18 MHz

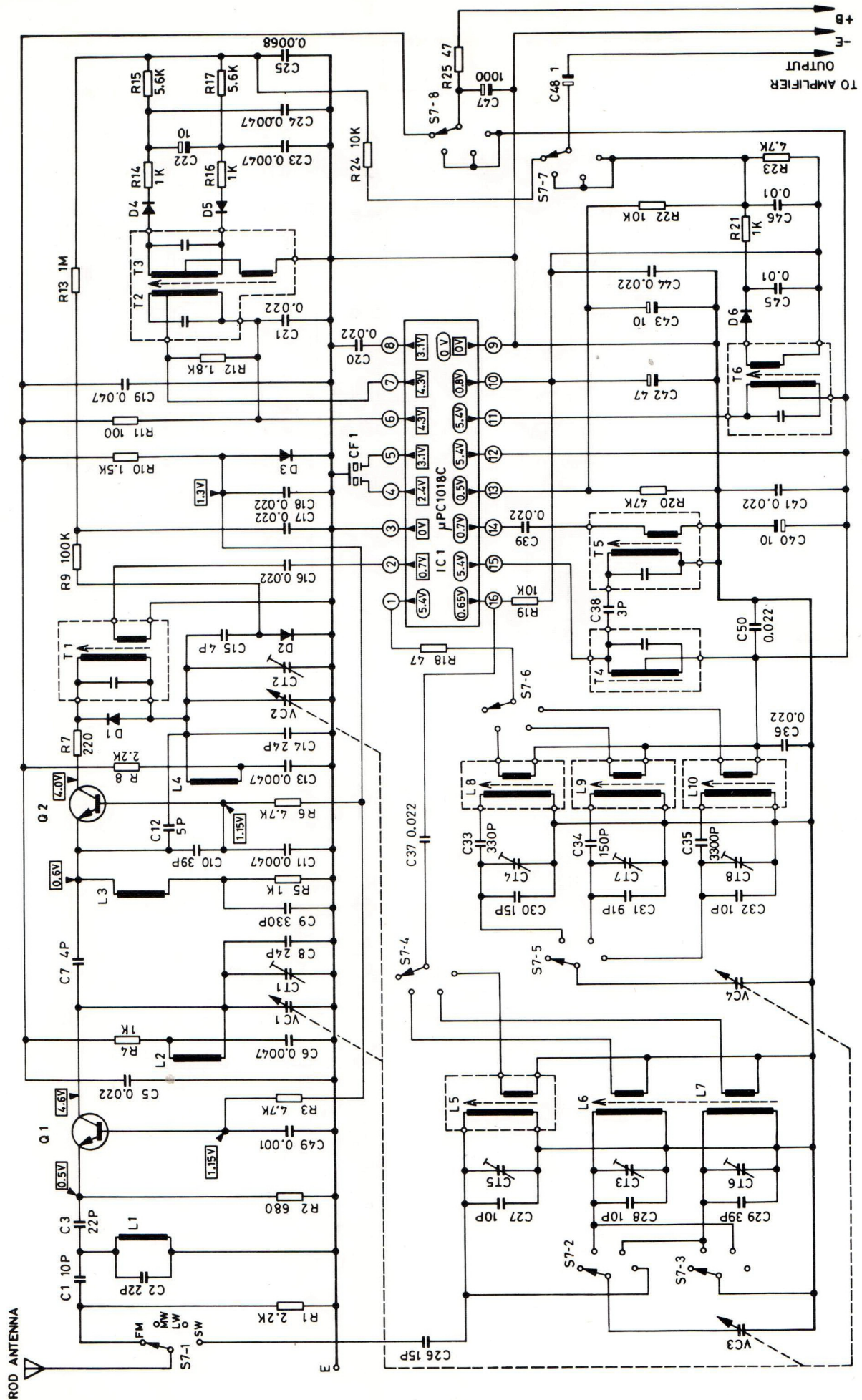
# KOPPLINGSSCHEMA      CIRCUIT DIAGRAM



- S1---TAPE/RADIO/SLEEP SWITCH (TAPE POSITION)
- S2---RECORD/PLAYBACK SWITCH (P.B. POSITION)
- S3---TAPE ON/OFF SWITCH (ON POSITION)
- S4---DC/AC POWER SWITCH (DC POSITION)
- S5---C. MIC./DIN SWITCH (C. MIC. POSITION)

- IC101---HA1367
- Q101---2SC458-D
- D101, 102---1N4148
- D103, 104, 105, 106---W03B

# RADIODEL TUNER



- D101, 102 ----- 1N4148  
 D103, 104, 105, 106 ----- W03B  
 S5 --- C. MIC./DIN SWITCH (C. MIC. POSITION)  
 Q1 2 ----- JE 9016 - F or G  
 D1 ----- HV80  
 D2 ----- SD115  
 D3 ----- KB-265  
 D4, 5, 6 ----- 1N60P  
 S7 --- BAND SELECTOR SWITCH (FM POSITION)  
 VOLTAGE CHECK POSITION  
 □ ----- FM POSITION  
 ○ ----- AM POSITION
- NOTES :**  
 1. ALL RESISTANCE VALUES ARE IN  $\Omega$ . K=1000.0 M = 1000K.0  
 2. ALL CAPACITANCE VALUES ARE IN  $\mu$ F. P =  $10^{-6}$  F.  
 3. ALL RESISTORS ARE 1/4 WATT, UNLESS OTHERWISE SPECIFIED.  
 4. VOLTAGES MEASURED FROM POINT INDICATOR TO CHASSIS GROUND WITH V.T.V.M AT LINE VOLUME CONTROL MINIMUM AND NO SIGNAL.  
 (SPECIFICATIONS AND CIRCUITS SUBJECT TO CHANGE WITHOUT NOTICE IMPROVEMENT.)