

# SERVICE MANUAL

SKANTIC

LUXOR

Juni 1980  
June 1980



TYPE 1109108



2×5 W max  
2 st 16 cm  
2 st 5 cm



AC 220 V  
DC 12 V



LCD Quartz  
DC 1.5 V.



FM ..... 88— 108 MHz  
MW ..... 535—1605 kHz  
LW ..... 150— 380 kHz  
SW ..... 3.7— 12 MHz

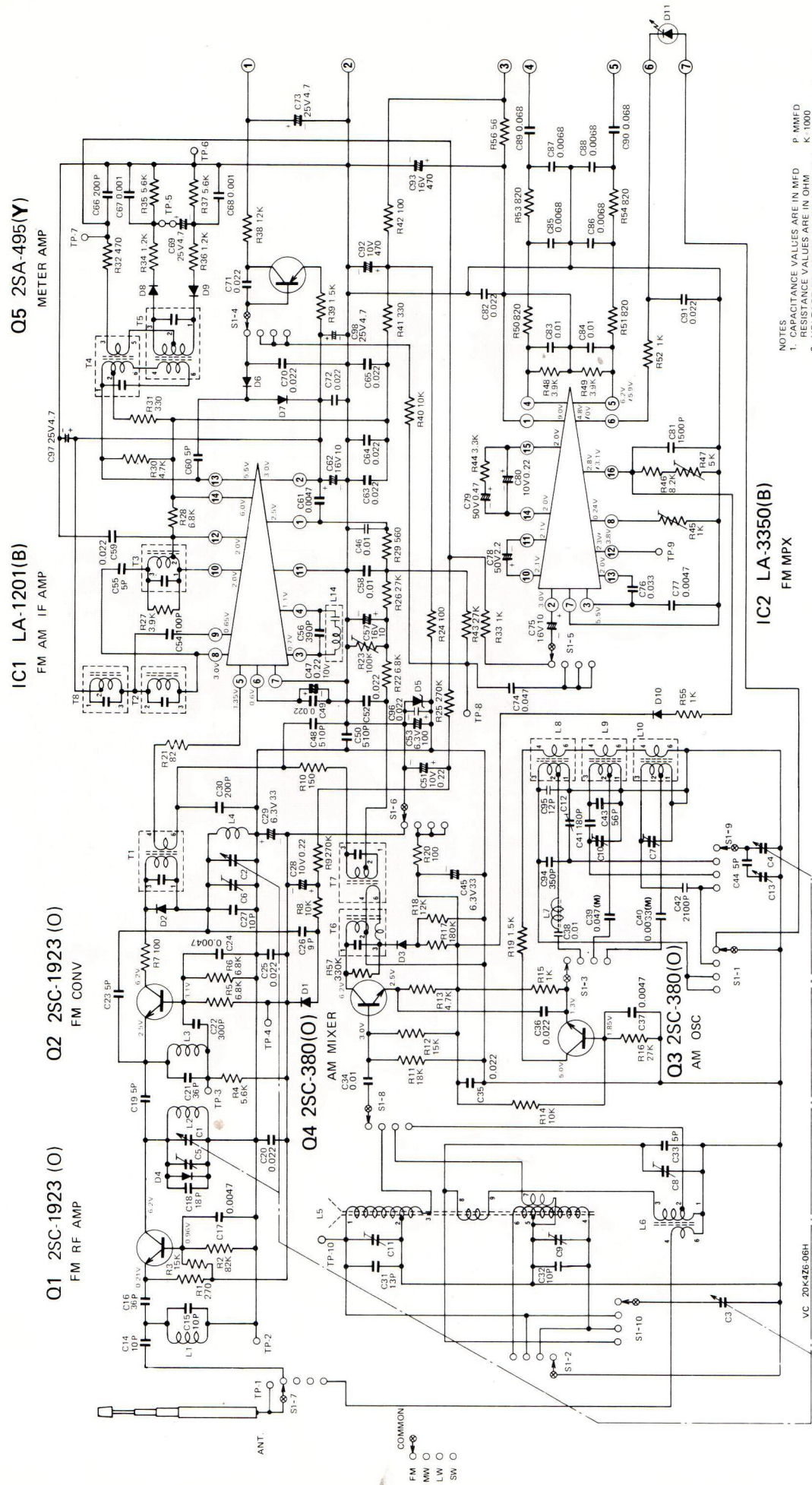
**MF, IF** AM ..... 455 kHz  
FM ..... 10.7 MHz

Bandhastighet  
Tape speed 4.75 cm/s  
Bandgeschwindigkeit

Svaj  
Wow and flutter 0.2 %  
Tonhöenschwankung

Frekvensomfång  
Frequency response 80—10 000 Hz  
Frequenzbereich

# KOPPLINGSSCHEMA, RADIODEL CIRCUIT DIAGRAM, TUNER UNIT SCHALTSCHHEMA, RADIO-TEIL



NOTES  
 1. CAPACITANCE VALUES ARE IN MFD P MMFD  
 2. RESISTANCE VALUES ARE IN OHM K 1000  
 3. ALL COMMON POINTS TO COMMON GROUND(—) ARE MEASURED  
 WITH VTVM NO SIGNAL CONDITIONS.  
 □ V INDICATES

COMMON  
 FM C  
 MW O  
 LW O  
 SW O



