

SERVICE MANUAL

SKANTIC

LUXOR

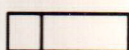
8109



TYPE 110 **9110**



- 220V AC / +12V DC



FM..... 88 - 108 MHz
MW..... 535 - 1605 kHz
LW..... 150 - 380 kHz
SW..... 3.7 - 12 MHz

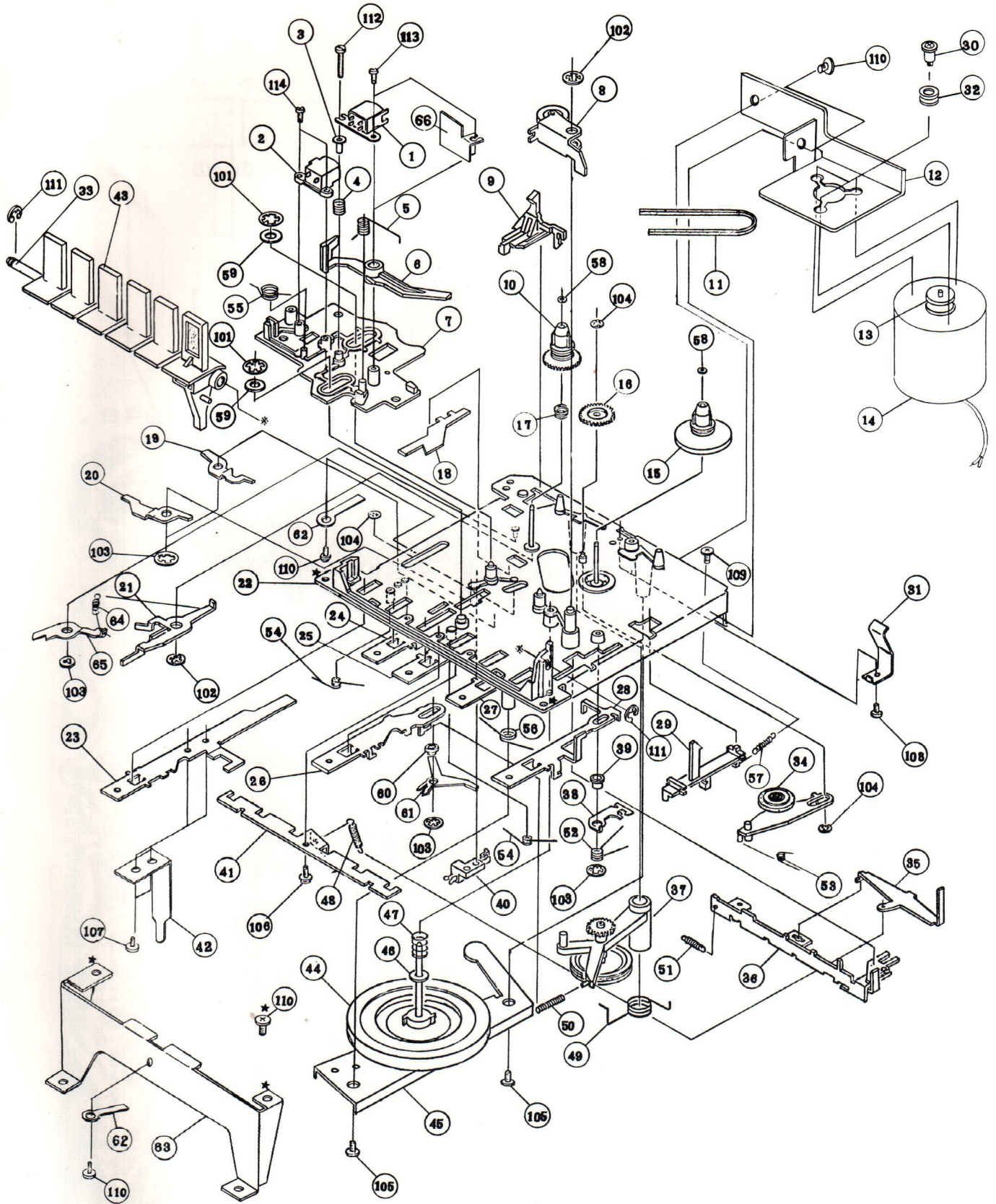


- 2 x 9 W (2x16 cm, 2x4 cm)

MF, IF AM(MW/LW/SW).... 455 kHz
FM..... 10.7 MHz



Tape speed..... 4.75 cm/s
Wow & Flutter..... 0.15 % wrms
Frequency response..... 60 - 10 000 Hz



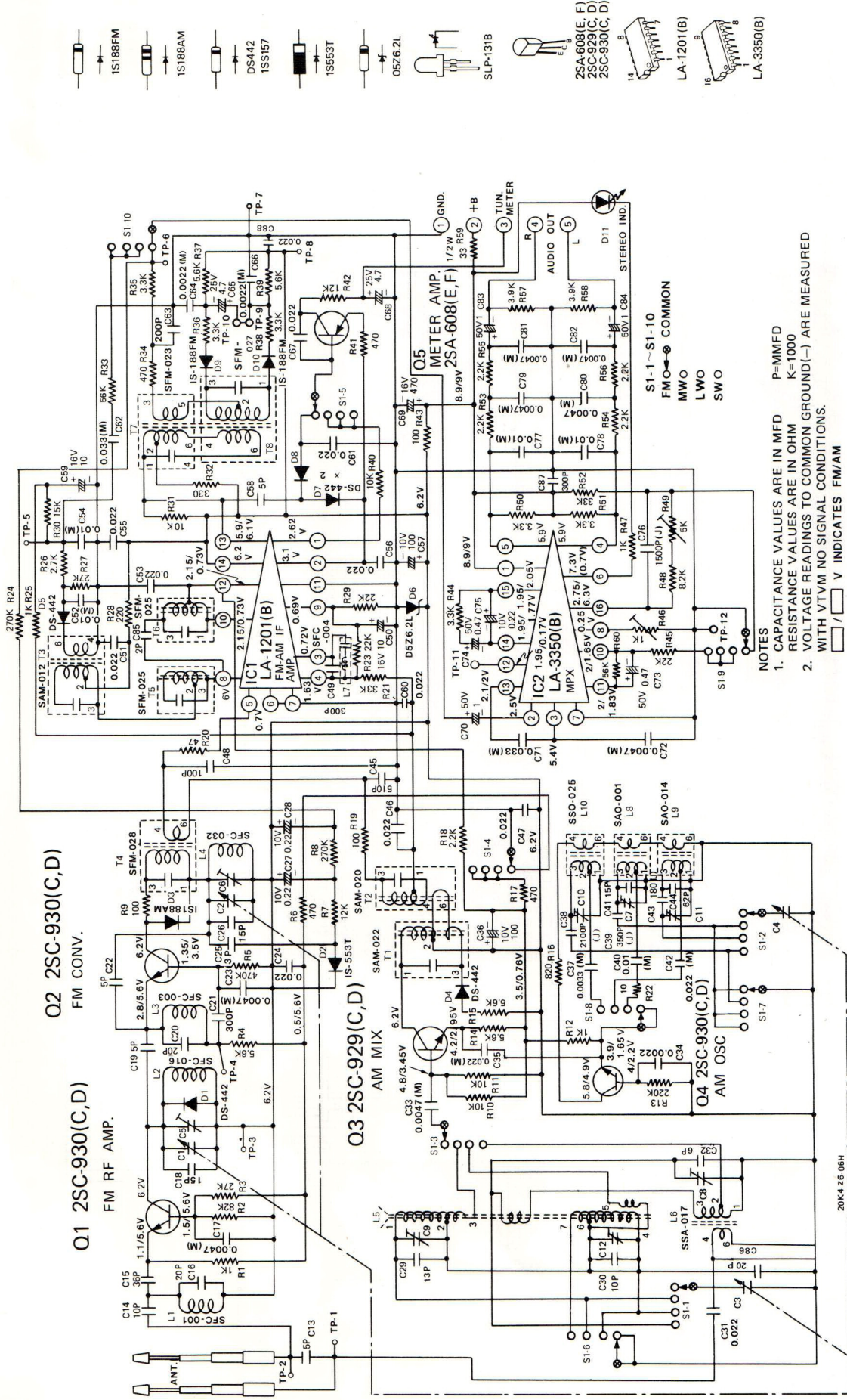
57 41024-01

Kassettdäck, kompl. Cassette deck, compl.

DP 1	57 00058-01
2	57 00057-01
6	57 21028-01
8	57 21027-01
10	57 21026-01
11	57 21025-01
13	57 21024-01
14	60 00035-01

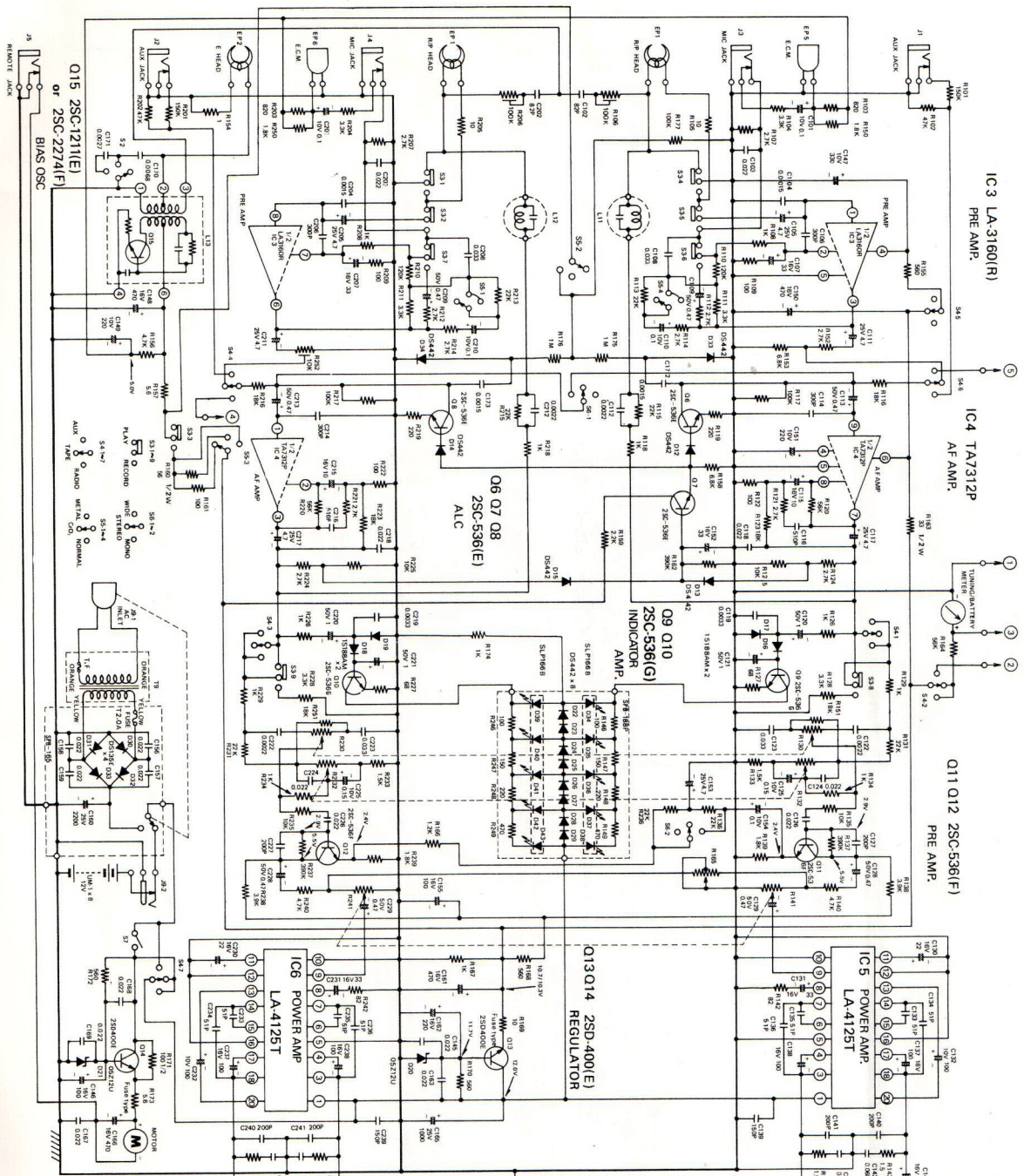
DP 15	57 21019-01
29	57 21020-01
34	57 21021-01
37	57 21022-01
40	57 21023-01
43	42 20117-01
44	57 21018-01

KOPPLINGSCHEMA CIRCUIT DIAGRAM



- NOTES
1. CAPACITANCE VALUES ARE IN MFD P=MMFD
RESISTANCE VALUES ARE IN OHM K=1000
 2. VOLTAGE READINGS TO COMMON GROUND(-) ARE MEASURED WITH VTVM NO SIGNAL CONDITIONS.
□ / □ V INDICATES FM/AM

Specifications or wiring diagrams of this model are subject to change for the improvement without prior notice.



LA-3160(R)

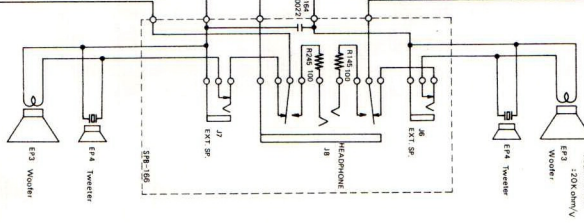
MINI	1	2	3	4	5	6	7	8
FUNCTION	10V	5V	4.5V	4.0V	3.5V	3.0V	2.5V	2.0V
RESIST	100K	10K	1K	100	10	1	100	10K

TA7312P

MINI	1	2	3	4	5	6	7	8	9
FUNCTION	12V	6V	4.5V	4.0V	3.5V	3.0V	2.5V	2.0V	1.5V
RESIST	100K	10K	1K	100	10	1	100	10K	100

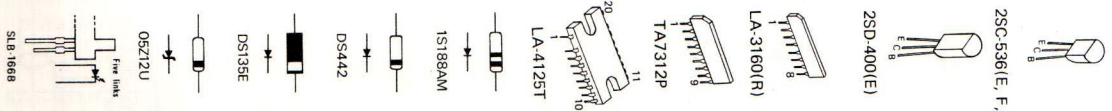
LA-4125T

MINI	1	2	3	4	5	6	7	8	9	10
FUNCTION	12V	6V	4.5V	4.0V	3.5V	3.0V	2.5V	2.0V	1.5V	1.0V
RESIST	100K	10K	1K	100	10	1	100	10K	100	100



REG. CONTROL

FUNCTION	S 2	1-2	3	1
TAPE	S 3	1-3	FLAM-RECORD	PLAY
MODE	S 5	1-4	NORMAL	MON. STEREO
MODE	S 6	1-2	MONO	STEREO
MODE	S 7	1	ON-OFF	(ON=PS)



Specifications or wiring diagrams of this model are subject to change for the improvement without prior notice.