

SERVICE MANUAL

SKANTIC

LUXOR

8109



TYPE 110 **9113**




- 220V AC / +6V DC

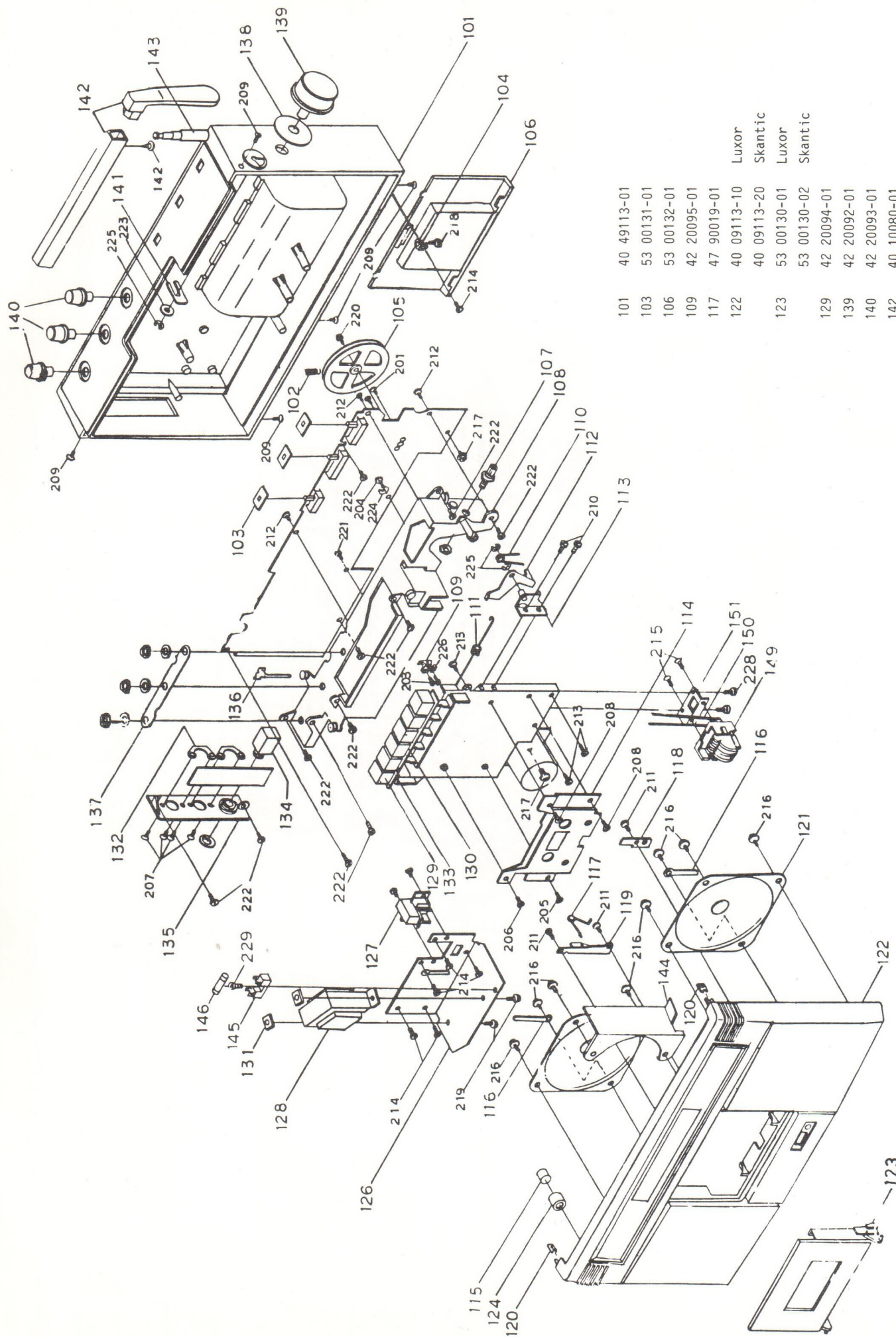


- 0.8 W

Tape Speed 4.75 cm/s
Wow & Flutter ± 0.35 %
REW 105 s (C-60)

FF 145 s (C-60)
 - 250 - 6300 Hz
S/N Ratio 43 dB

	<u>MW</u>	<u>SW</u>	<u>FM</u>
Frequency Range	535 - 1620 kHz	5.9 - 18.0 MHz	88 - 108 MHz
Intermediate Range	455 kHz	455 kHz	10.7 MHz
Sensitivity (max)	56 dB/m	46 dB/m	28 dB

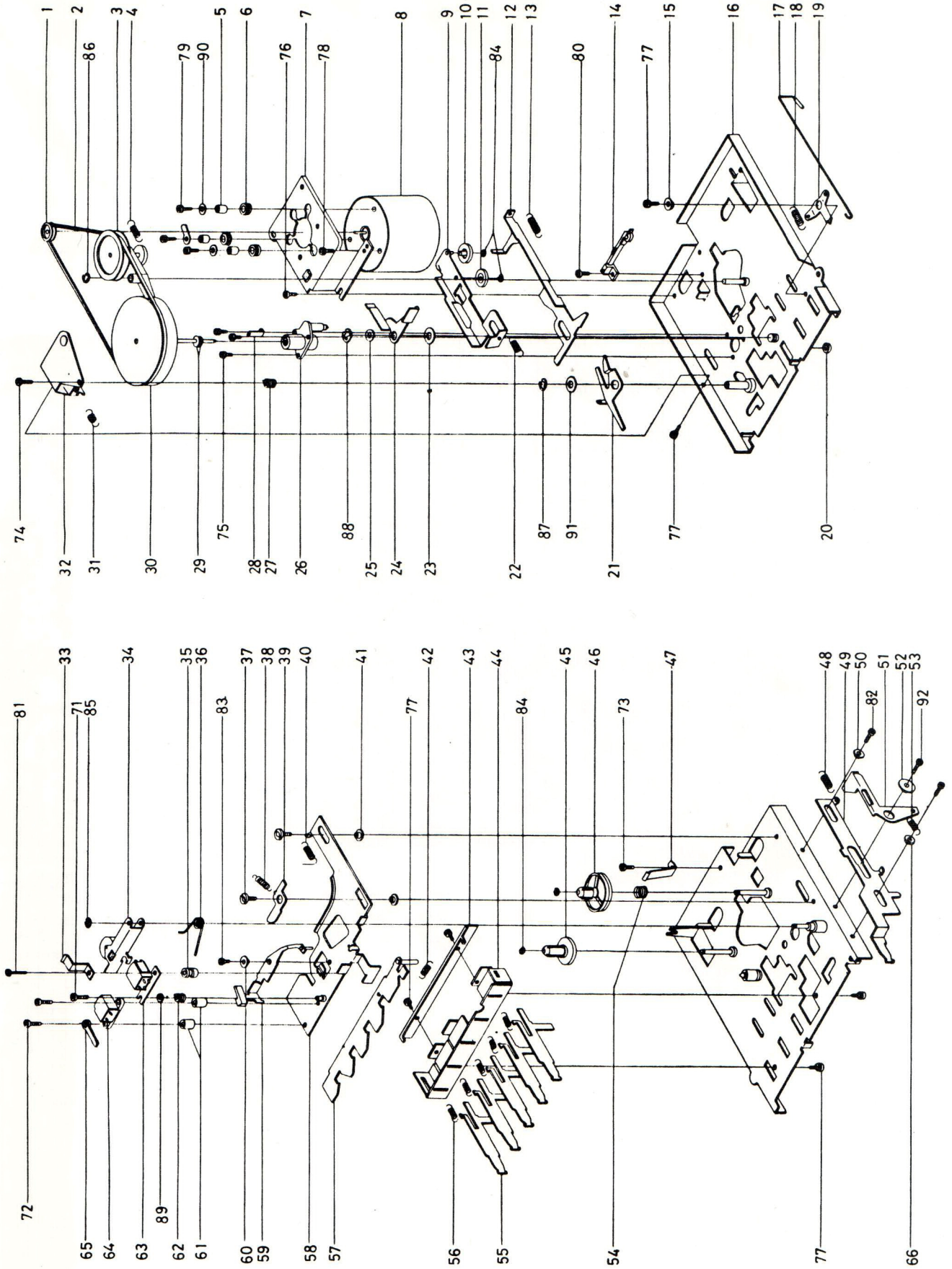


101	40 49113-01	Luxor
103	53 00131-01	Skanttic
106	53 00132-01	Luxor
109	42 20095-01	Skanttic
117	47 90019-01	Luxor
122	40 09113-10	Skanttic
123	40 09113-20	Luxor
129	53 00130-01	Skanttic
139	53 00130-02	Luxor
140	42 20094-01	Skanttic
142	42 20092-01	Luxor
142	42 20093-01	Skanttic
142	40 10080-01	Luxor

Kassetmekanism, kompl.
Cassette mechanism, compl.

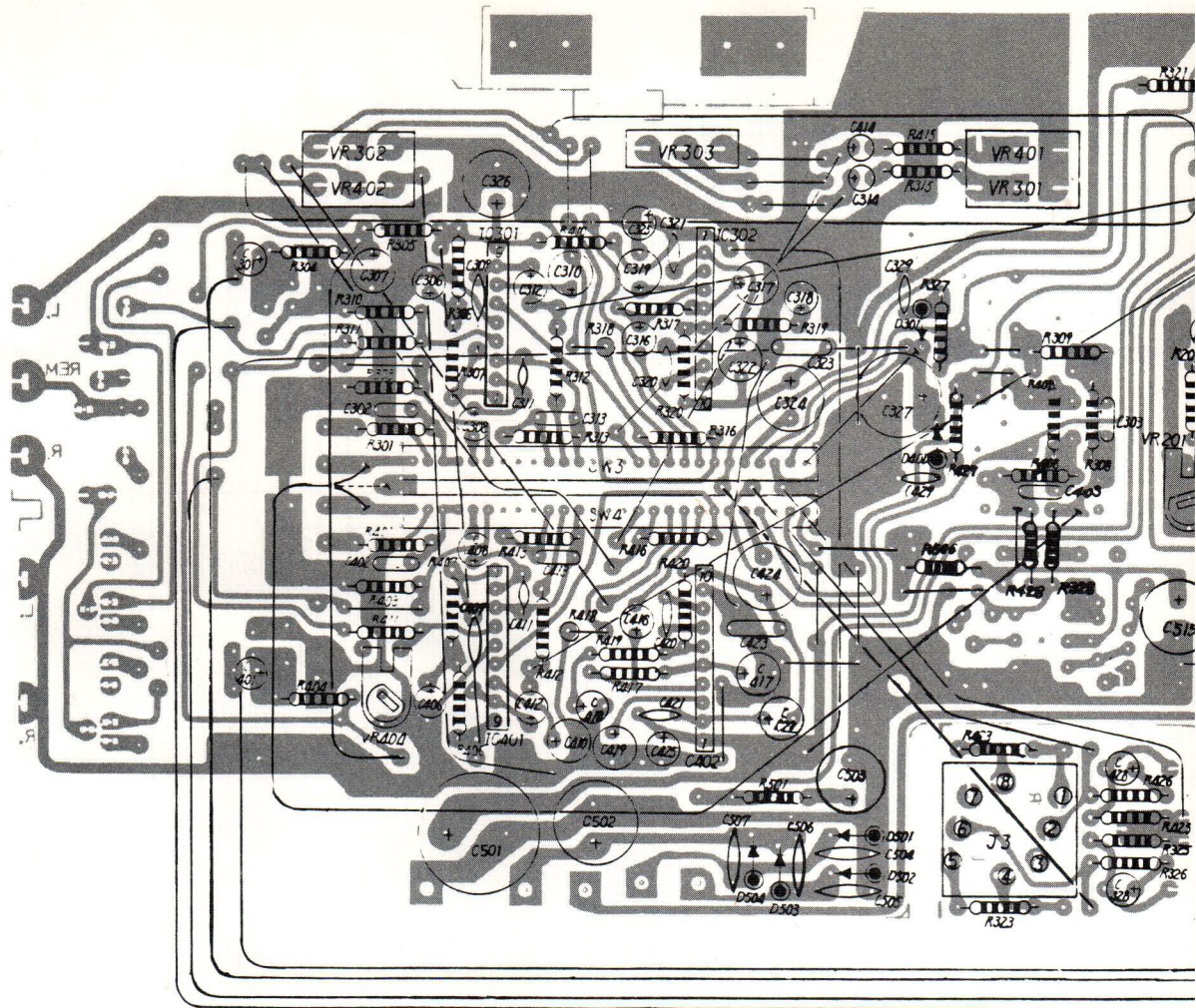
- 57 41022-01
- 57 20997-01
- 57 20998-01
- 57 20999-01
- 57 21000-01
- 57 21001-01
- 57 21002-01
- 57 21003-01
- 57 21004-01
- 57 20995-01
- 57 20996-01

- 1
- 2
- 3
- 10
- 14
- 20
- 30
- 34
- 45
- 46



142 40 10080-01

123



KOMPONENTSIDA
COMPONENT SIDE

Övrigt - Miscellaneous

CM1,2	19 00059-01	Kondensatormik.	Condenser MIC
H1	57 00049-01	In-/Avspelningshuvud	Record/Playback Head
H2	57 00048-01	Raderhuvud	Erasing Head
M1	60 00031-01	Motor	Motor
SP1,2	48 09113-01	Högtalare	Speaker
	66 79113-10	Bruksanvisning Luxor	Operating instructions Luxor
	66 79113-20	Bruksanvisning Skantic	Operating instructions Skantic

IC		
101	µPC-1018C	64 00033-01
201	µPC-1197C	64 10027-01
301	TA7137P	64 10046-01
302	TA7207P	64 10045-01
401	TA7137P	64 10046-01
402	TA7207P	64 10045-01
Q		
101,102	2S1923(R)	63 00059-01
201	2SC1815Y	63 10121-01
501	2S2120(Y)	63 10119-01
D		
101,102	0A-90	63 08615-01
103	Vari. cap.	63 40201-01
104,105	20A-90	63 40048-01
106	0A-90	63 08615-01
107	RD-4.7EB	63 40164-01
201	CQY40L	63 40136-01

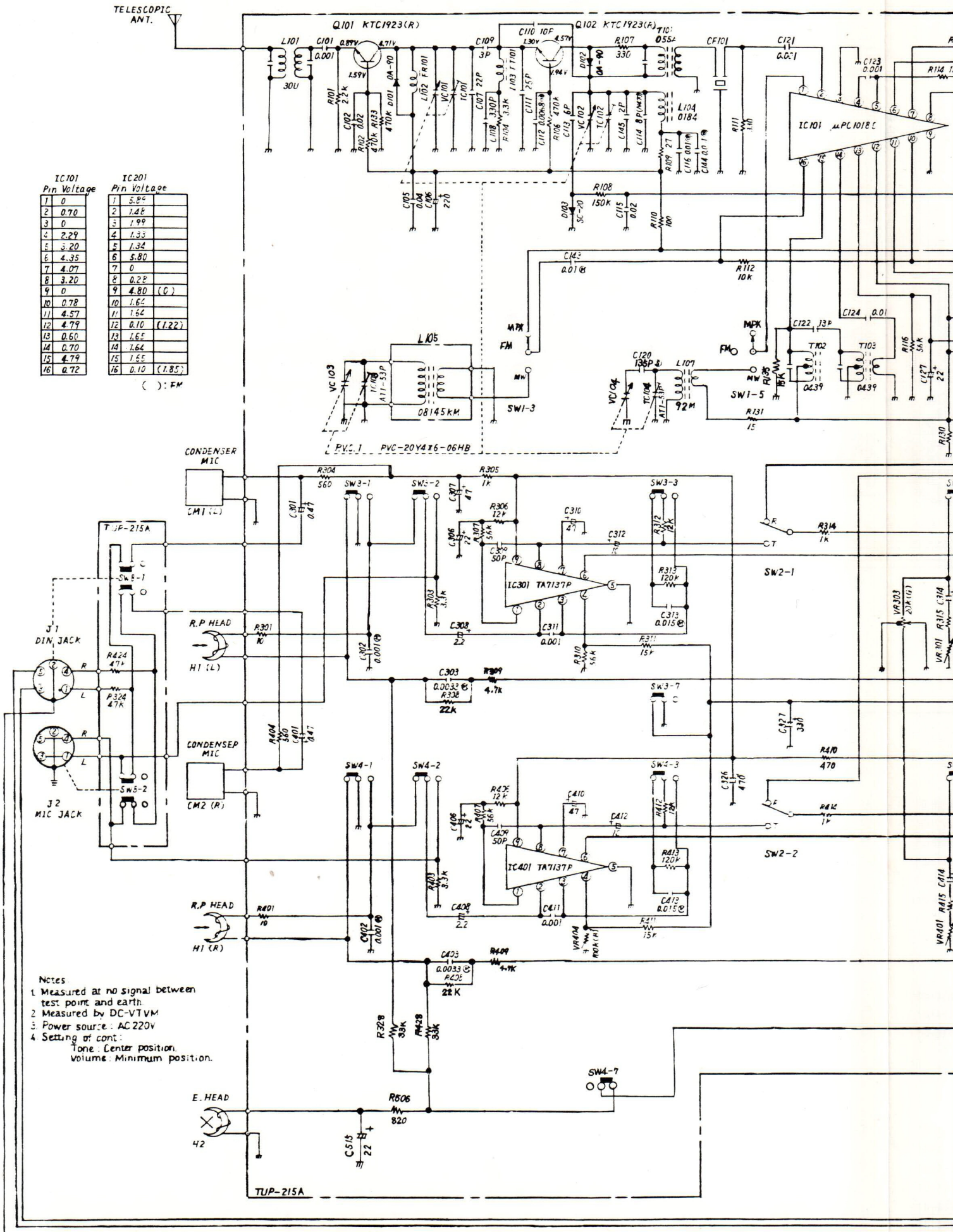
LUXOR PARTS/SERVICE

591 83 Motala, tel. 0141-162 00 vx

Försäljningskontor Stockholm Göteborg Malmö
och service: 08-84 04 90 031-42 07 20 040-18 10 20

KOPPLINGSSCHEMA

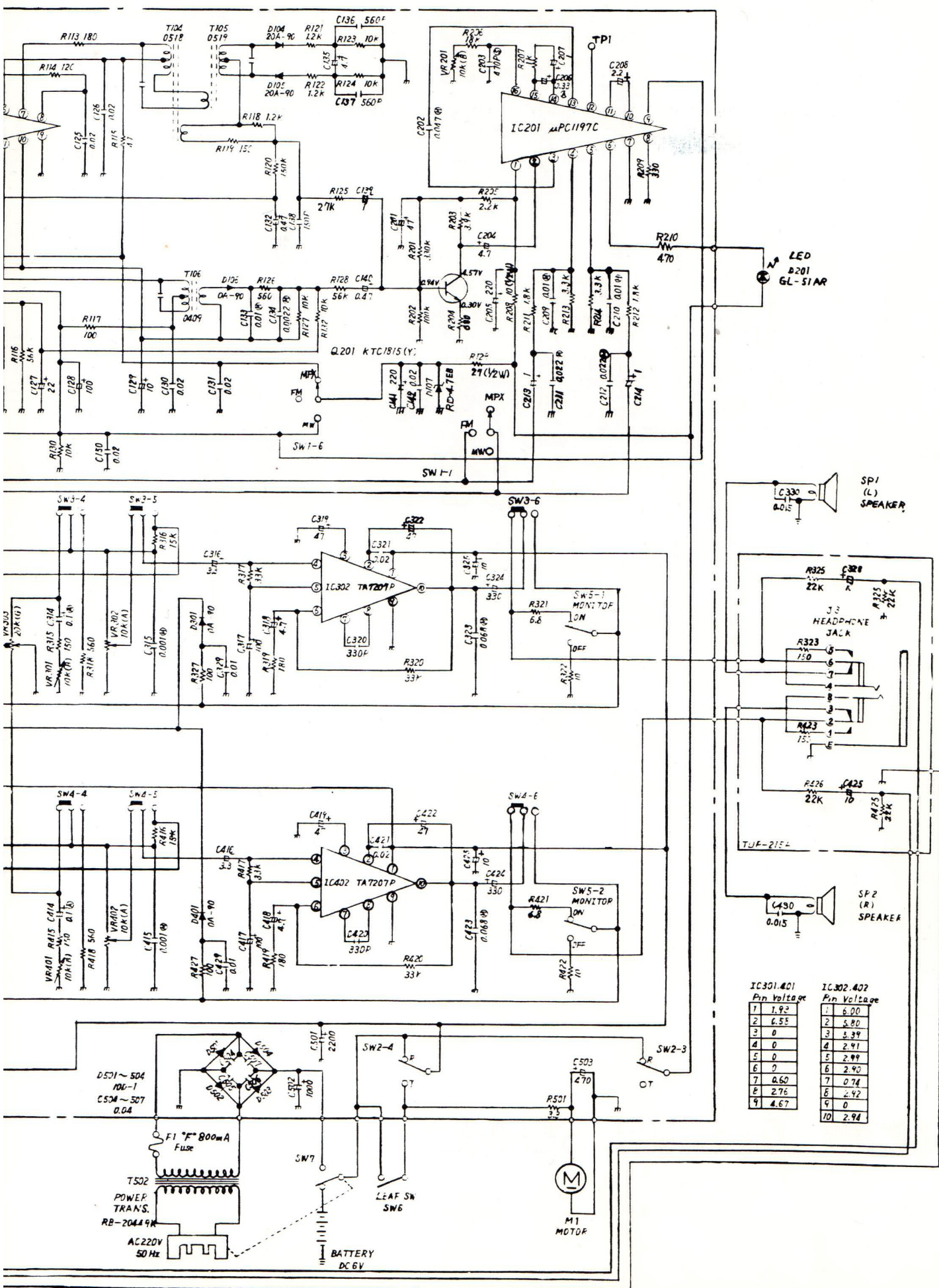
CIRCUIT DIAGRAM



IC101		IC201	
Pin	Voltage	Pin	Voltage
1	0	7	5.8V
2	0.70	8	1.48
3	0	9	1.99
4	2.29	10	1.33
5	3.20	11	1.34
6	4.35	12	5.80
7	4.07	13	0
8	3.20	14	0.28
9	0	15	4.80 (0)
10	0.78	16	0.10 (1.85)
11	4.57		
12	4.79		
13	0.60		
14	0.70		
15	4.79		
16	0.72		

(): FM

- Notes
- 1 Measured at no signal between test point and earth
 - 2 Measured by DC-VTVM
 - 3 Power source: AC220V
 - 4 Setting of cont.:
Tone: Center position.
Volume: Minimum position.



IC301.401		IC302.402	
Pin	Voltage	Pin	Voltage
1	1.95	1	6.00
2	6.55	2	6.00
3	0	3	5.39
4	0	4	2.91
5	0	5	2.99
6	0	6	2.90
7	0.60	7	0.74
8	2.76	8	2.92
9	4.67	9	0
		10	2.94