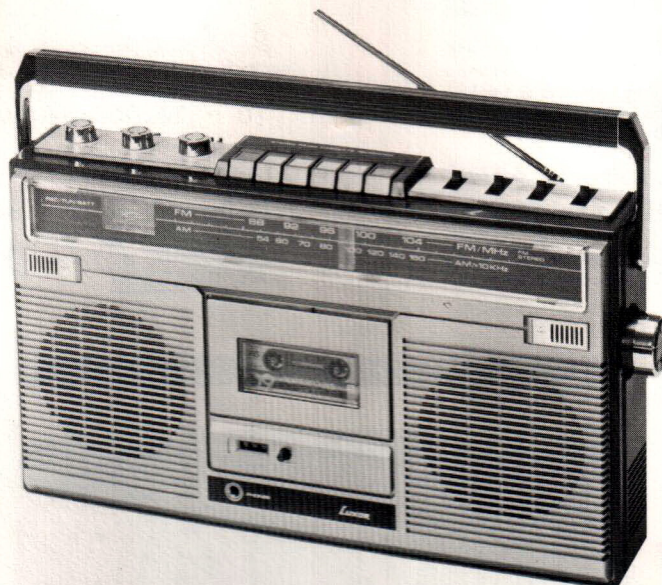


11091881

11091882



Nov. 1978

## TEKNISKA DATA

## SPECIFICATIONS

BANDSPELARE

Driftspänning  
Power supply

Frekvensområde (band)  
Frequency response (tape)

Störavstånd  
Signal/noise ratio

Uteffekt  
Power output

Radering  
Erase efficiency

Överhörning  
Crosstalk

Svajning  
Wow and flutter

Hastighetsavvikelse  
Speed deviation

Snabbspolning  
Fast wind

TAPE RECORDER

220V 50 Hz/9V DC

Normal (FeO<sub>2</sub>) 63 - 8.000  
CrO<sub>2</sub> 63 - 10.000

46 dB

2x2.5W (10% distortion, AC)

55 dB

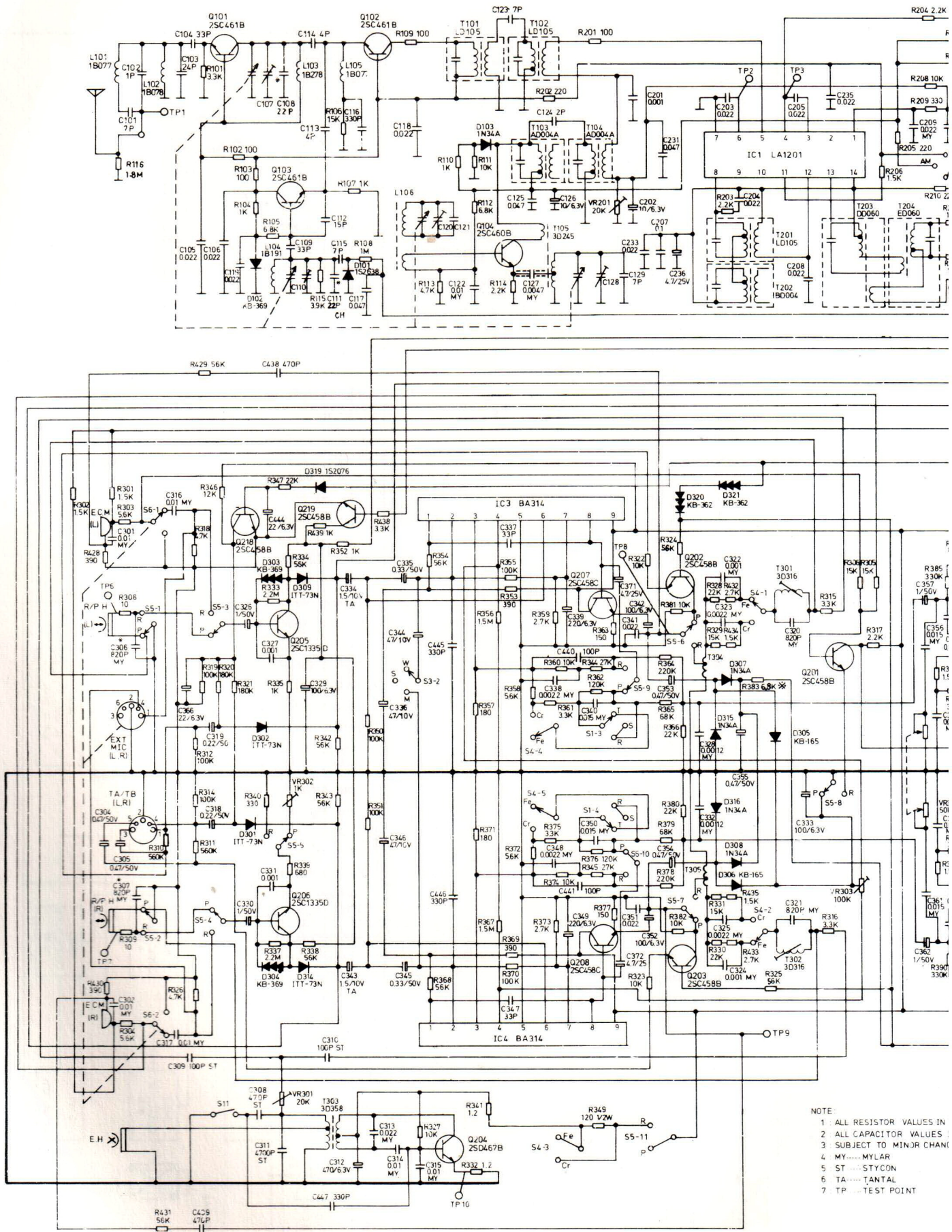
30 dB

0.4 %

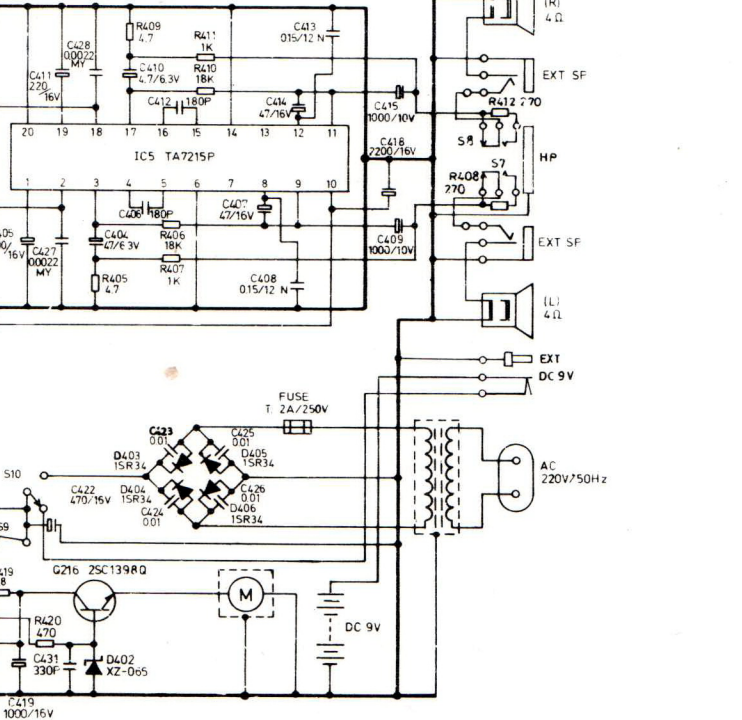
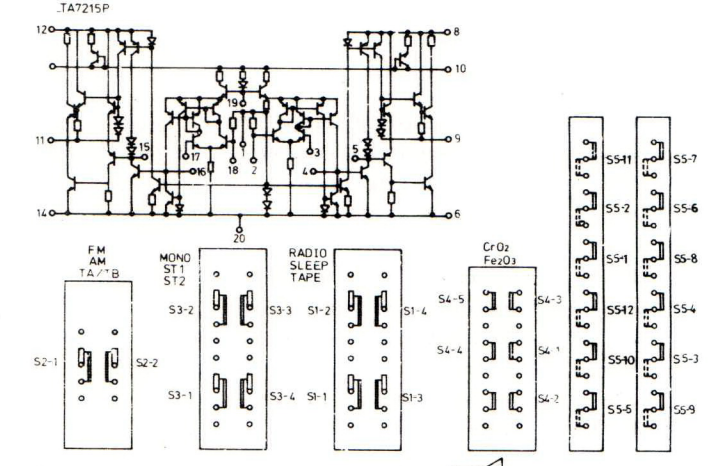
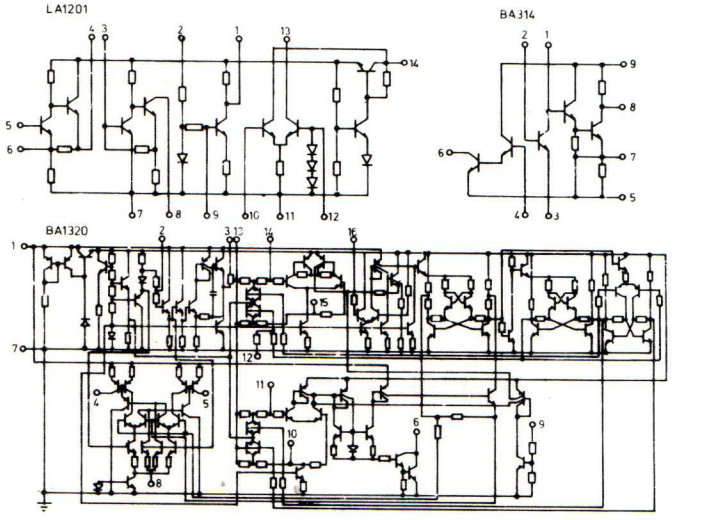
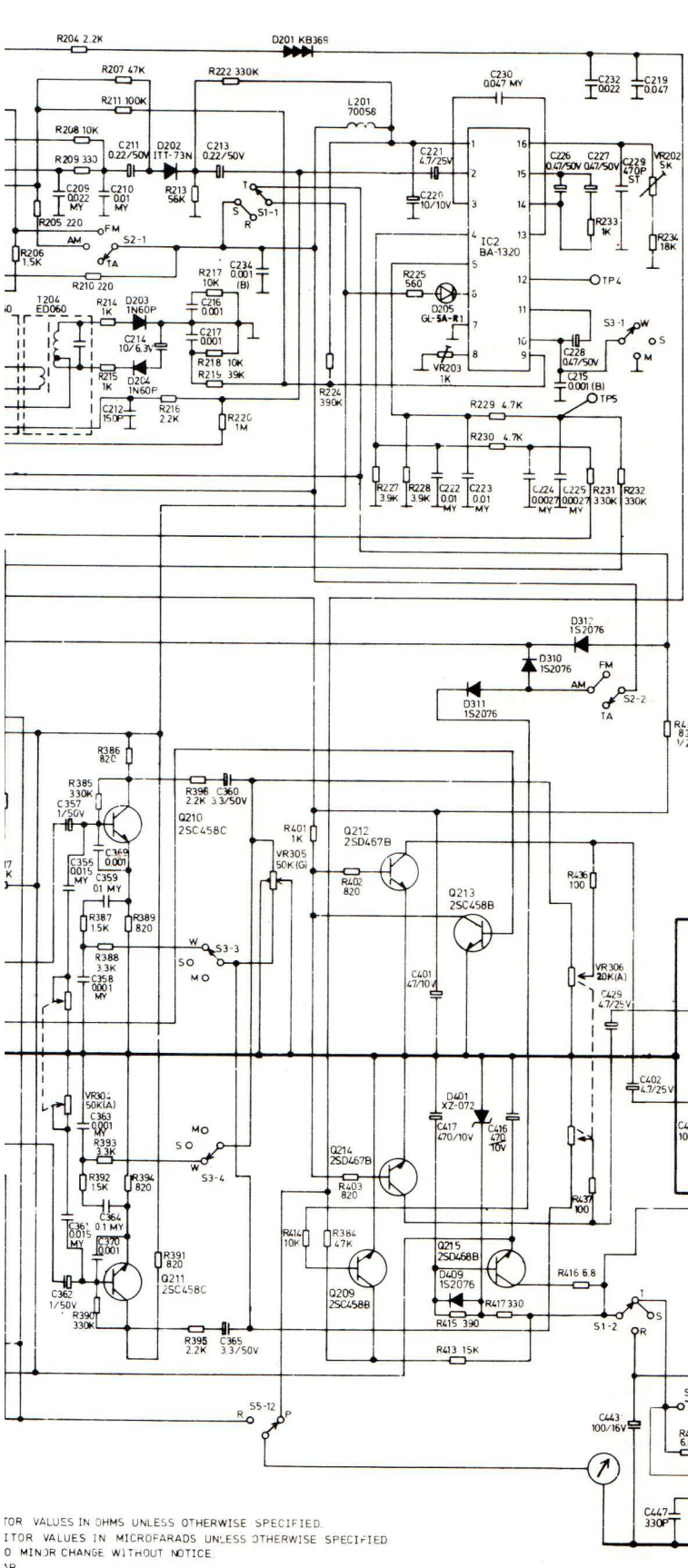
± 1.5 %

120 s (C60)

# KOPPLINGSSCHEMA CIRCUIT DIAGRAM



NOTE:  
 1 ALL RESISTOR VALUES IN  
 2 ALL CAPACITOR VALUES IN  
 3 SUBJECT TO MINOR CHANG  
 4 MY-----MYLAR  
 5 ST-----STY/CON  
 6 TA-----TANTAL  
 7 TP-----TEST POINT



FOR VALUES IN OHMS UNLESS OTHERWISE SPECIFIED.  
 (R) VALUES IN MICROFARADS UNLESS OTHERWISE SPECIFIED.  
 (C) MINOR CHANGE WITHOUT NOTICE.  
 (M) 1000/16V  
 (TA) TAP POINT