

LUXOR

Serviceanvisning för förstärkarchassi
typ 33833 serie 1 med följande apparater:

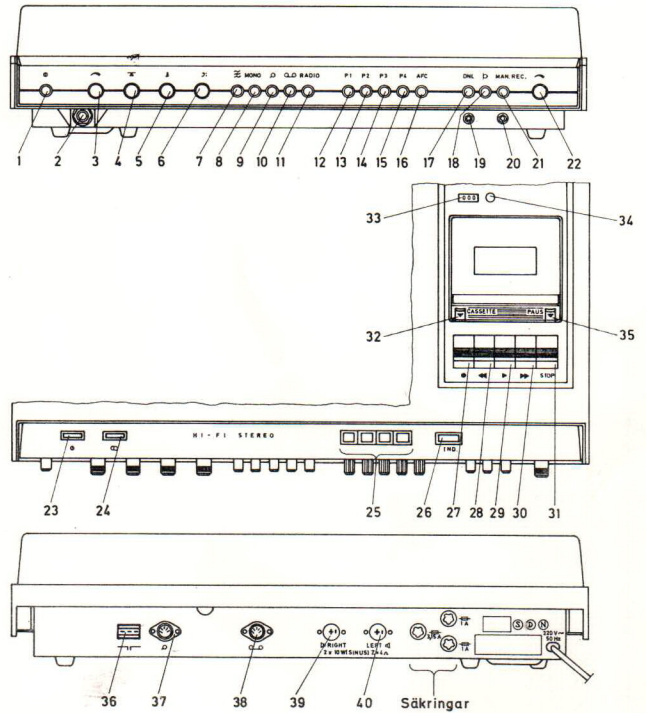
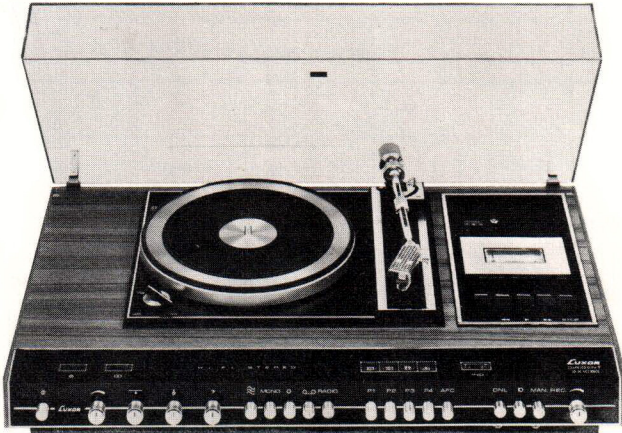
SKANTIC

Dirigent 3832, 2 x 10 B

Harmoni 3932 10 K

Dirigent 3833, 2 x 10 BG

Harmoni 3933, 10 SK

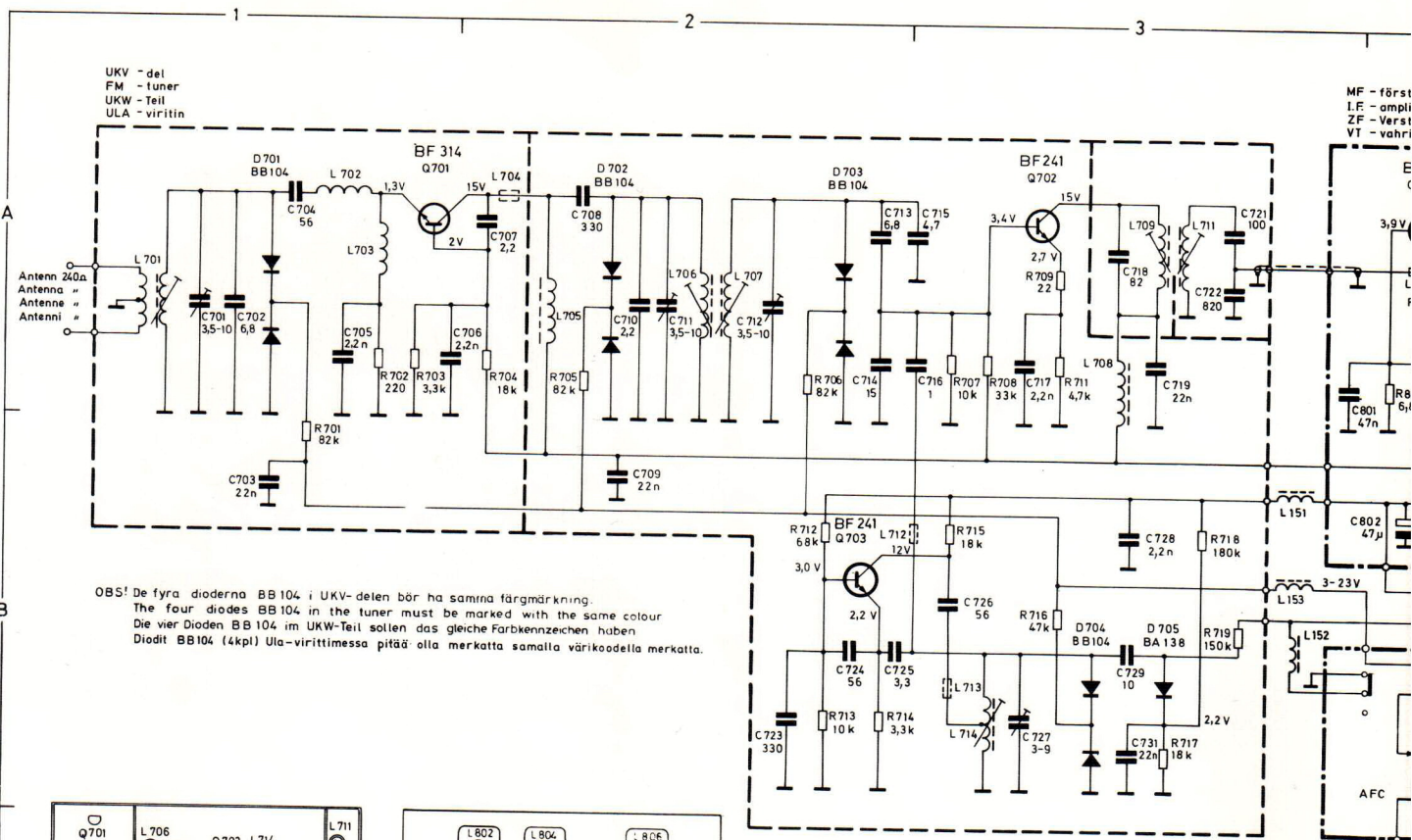


Tekniska data förstärkardelen

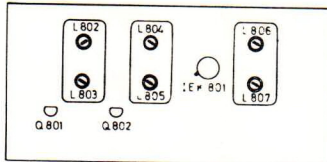
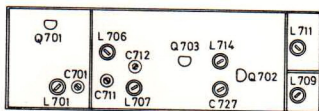
December 1973

| Benämning | 33833-värden | Fordras enl DIN 45500 |
|-----------------------------------|--|---------------------------|
| Driftspänning | 220-240 V 50 Hz (invändig omkoppl.) | |
| Frekvensområde | 40-20.000Hz \pm 1,5 dB | 40-16.000 Hz \pm 1,5 dB |
| Effektbandbredd vid 4 ohm | 30-25.000 Hz | |
| Distorsion | | |
| vid 1.000 Hz och 10 W uteffekt | 1,0 % | |
| " 1.000 " " 6 " " | 0,3 % | 1 % |
| " 1.000 " " 50 mW " | 0,3 % | |
| Störavstånd nålmikrofon | 55 dB | 50 dB |
| " band | 55 dB | 50 dB |
| Dämpfaktor vid 1.000 Hz och 4 ohm | 22 | 3 |
| Utgångseffekt | 2x10 W | 2x6 W |
| Kanalseparation | 50 dB | 40 dB |

KOPPLINGSKEMA RADIODELEN



OBS! De fyra dioderna BB104 i UKV-delen bör ha samma färgmärkning.
 The four diodes BB104 in the tuner must be marked with the same colour
 Die vier Dioden BB104 im UKW-Teil sollen das gleiche Farbennnzeichen haben.
 Diodit BB104 (4kpi) Ula-virittimessä pitää olla merkatta samalla värikoodeilla merkatta.



(R) Motstånd Resistors Widerstände Vastukset

| Nr | Värde | Tol. ±% | Mat. | Bel. W | Art nr | Pos |
|-----|--------|---------|----------|--------|-------------|-----|
| 601 | 10 kΩ | Lin. | Pot | 0,10 | 61 17961-01 | B2 |
| 602 | 22 kΩ | Lin. | " | 0,10 | 61 17970-01 | B2 |
| 603 | 15 kΩ | 20 | PTC | " | 61 29666-01 | B5 |
| 604 | 150 kΩ | 5 | Kolskikt | 0,33 | 61 29275-01 | B5 |
| 605 | 68 kΩ | 5 | " | 0,33 | 61 29273-01 | B5 |
| 606 | 68 kΩ | 5 | " | 0,33 | 61 29273-01 | B5 |
| 607 | 33 kΩ | 5 | " | 0,33 | 61 29270-01 | B5 |
| 609 | 33 kΩ | 5 | " | 0,33 | 61 29270-01 | B5 |
| 610 | 33 kΩ | 5 | " | 0,33 | 61 29270-01 | B6 |
| 611 | 39 kΩ | 5 | Kolskikt | 0,33 | 61 29271-01 | B6 |
| 612 | 39 kΩ | 5 | " | 0,33 | 61 29271-01 | B6 |
| 701 | 82 kΩ | 5 | Kolskikt | 0,33 | 61 29298-01 | B1 |
| 702 | 220 Ω | 5 | " | 0,33 | 61 29252-01 | A1 |
| 703 | 33 kΩ | 5 | " | 0,33 | 61 29262-01 | A1 |
| 704 | 18 kΩ | 5 | " | 0,33 | 61 29267-01 | A2 |
| 705 | 82 kΩ | 5 | " | 0,33 | 61 29298-01 | A2 |
| 706 | 82 kΩ | 5 | " | 0,33 | 61 29298-01 | A2 |
| 707 | 10 kΩ | 5 | " | 0,33 | 61 29265-01 | B3 |
| 708 | 33 kΩ | 5 | " | 0,33 | 61 29270-01 | B3 |
| 709 | 22 Ω | 5 | " | 0,33 | 61 29270-01 | B3 |
| 710 | 4,7 kΩ | 5 | Kolskikt | 0,33 | 61 29263-01 | A3 |
| 712 | 68 kΩ | 5 | " | 0,33 | 61 29273-01 | B2 |
| 713 | 10 kΩ | 5 | " | 0,33 | 61 29265-01 | B2 |
| 714 | 33 kΩ | 5 | " | 0,33 | 61 29262-01 | B2 |
| 715 | 18 kΩ | 5 | " | 0,33 | 61 29267-01 | A3 |
| 716 | 47 kΩ | 5 | " | 0,33 | 61 29272-01 | B3 |
| 717 | 18 kΩ | 5 | " | 0,33 | 61 29267-01 | B3 |
| 718 | 180 kΩ | 5 | " | 0,33 | 61 29276-01 | B3 |
| 719 | 150 kΩ | 5 | " | 0,33 | 61 29275-01 | B3 |
| 720 | | | | | | |

(R) Motstånd Resistors Widerstände Vastukset

| Nr | Värde | Tol. ±% | Mat. | Bel. W | Art nr | Pos |
|-----|--------|---------|----------|--------|-------------|-----|
| 801 | 68 kΩ | 5 | Kolskikt | 0,33 | 61 29264-01 | A4 |
| 802 | 1 kΩ | 5 | " | 0,33 | 61 29258-01 | A4 |
| 803 | 33 kΩ | 5 | " | 0,33 | 61 29270-01 | A4 |
| 804 | 390 Ω | 5 | " | 0,33 | 61 29255-01 | A4 |
| 805 | 560 kΩ | 5 | " | 0,33 | 61 29300-01 | B4 |
| 806 | 18 kΩ | 5 | " | 0,33 | 61 29676-01 | A4 |
| 807 | 33 kΩ | 5 | " | 0,33 | 61 29262-01 | A4 |
| 808 | 33 kΩ | 5 | " | 0,33 | 61 29270-01 | A4 |
| 809 | 220 Ω | 5 | " | 0,33 | 61 29252-01 | A4 |
| 810 | 22 kΩ | 5 | " | 0,33 | 61 29260-01 | B4 |
| 811 | 390 Ω | 5 | " | 0,33 | 61 29255-01 | A4 |
| 812 | 18 kΩ | 5 | " | 0,33 | 61 29676-01 | A5 |
| 813 | 82 kΩ | 5 | " | 0,33 | 61 29298-01 | B5 |
| 814 | 150 kΩ | 5 | " | 0,33 | 61 29252-01 | A5 |
| 815 | 22 kΩ | 5 | " | 0,33 | 61 29261-01 | A5 |
| 816 | 220 Ω | 5 | " | 0,33 | 61 29252-01 | A5 |
| 817 | 2,7 kΩ | 5 | " | 0,33 | 61 29261-01 | A5 |
| 818 | 100 Ω | 5 | " | 0,33 | 61 29250-01 | A6 |
| 819 | 2,2 kΩ | 5 | " | 0,33 | 61 29260-01 | A6 |
| 820 | 1 kΩ | 5 | Kolskikt | 0,33 | 61 29258-01 | A6 |
| 822 | 33 kΩ | 5 | " | 0,33 | 61 29270-01 | A6 |
| 823 | 12 kΩ | 5 | " | 0,33 | 61 29266-01 | A6 |
| 824 | 12 kΩ | 5 | " | 0,33 | 61 29266-01 | A6 |

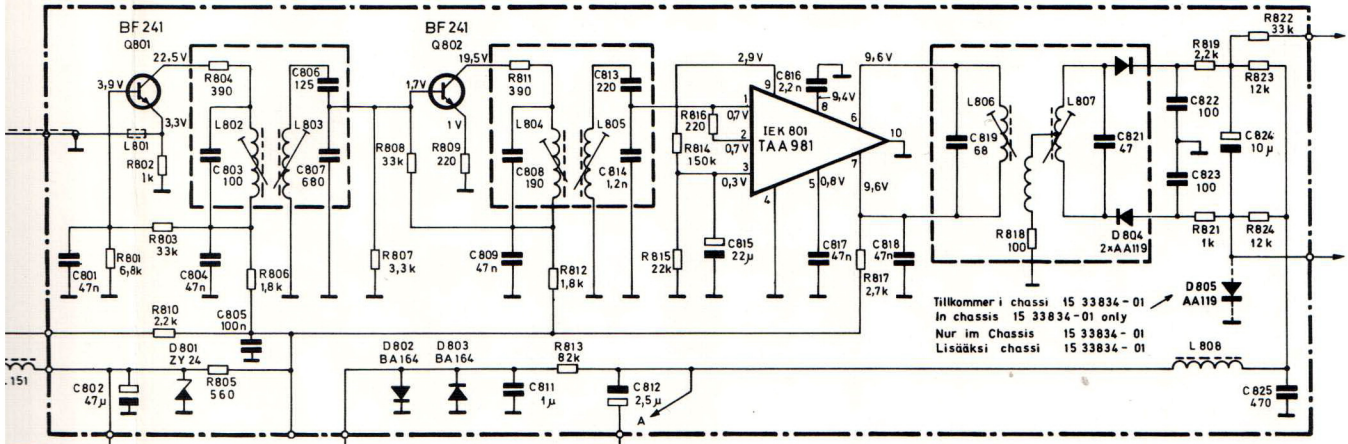
(C) Kondensatorer Capacitors Kondensatoren Kondensattorit

| Nr | Värde | Tol. ±% | Mat. | Sp. V | Art nr | Pos |
|-----|-----------|---------|----------|-------|-------------|-----|
| 601 | 5 μF | +50-20 | Elyt | 35 | 62 21172-01 | B5 |
| 602 | 390 pF | 2,5 | Styrol | 630 | 62 21260-01 | B5 |
| 603 | 390 pF | 2,5 | " | 630 | 62 21260-01 | B5 |
| 604 | 82 nF | 10 | Polyest. | 400 | 62 12674-01 | B6 |
| 701 | 3,5-10 pF | | Trimmer | 63 | 62 21382-01 | A1 |
| 702 | 6,8 pF | 0,25 pF | Keram | 63 | 62 21234-01 | A1 |
| 703 | 22 nF | +100-20 | " | 40 | 62 21344-01 | B1 |
| 704 | 56 pF | 2 | " | 63 | 62 21246-01 | A1 |
| 705 | 22 nF | +40-20 | " | 500 | 62 21139-01 | A1 |
| 706 | 22 nF | +40-20 | " | 500 | 62 21139-01 | A1 |
| 707 | 22 pF | 0,25 pF | " | 63 | 62 21425-03 | A2 |
| 708 | 330 pF | 10 | " | 100 | 62 21375-01 | A2 |
| 709 | 22 nF | +100-20 | " | 40 | 62 21344-01 | B2 |
| 710 | 2,2 pF | 0,25 pF | " | 63 | 62 21425-03 | A2 |
| 711 | 3,5-10 pF | | Trimmer | 63 | 62 21382-01 | A2 |
| 712 | 35-10 pF | | " | 63 | 62 21382-01 | A2 |
| 713 | 6,8 pF | 0,25 pF | Keram | 63 | 62 21234-01 | A2 |
| 714 | 15 pF | 2 | " | 63 | 62 21232-01 | A2 |
| 715 | 4,7 pF | 0,25 pF | " | 63 | 62 21232-01 | A2 |
| 716 | 1 pF | 0,25 pF | " | 63 | 62 21400-01 | A3 |
| 717 | 2,2 nF | +40-20 | " | 500 | 62 21139-01 | A3 |
| 718 | 22 pF | 2 | " | 63 | 62 21248-01 | A3 |
| 719 | 22 nF | +100-20 | " | 40 | 62 21344-01 | A3 |
| 720 | | | | | | |
| 721 | 100 pF | 2 | Keram | 63 | 62 21371-01 | A3 |
| 722 | 820 pF | 10 | " | 100 | 62 21379-01 | A3 |
| 723 | 330 pF | 10 | " | 100 | 62 21256-01 | B2 |
| 724 | 56 pF | 2 | " | 63 | 62 21256-01 | B2 |
| 725 | 3,3 pF | 0,5 pF | " | 500 | 62 21230-01 | B2 |
| 726 | 56 pF | 2 | " | 63 | 62 21246-01 | B3 |
| 727 | 3-9 pF | | Trimmer | 160 | 62 21381-01 | B3 |
| 728 | 2,2 nF | +40-20 | Keram. | 500 | 62 21139-01 | B3 |

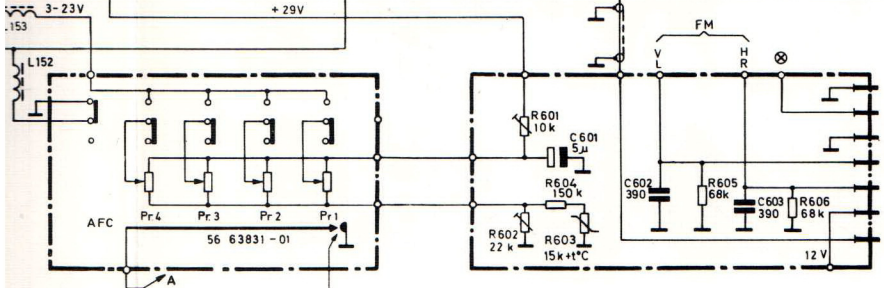
(C) Kondensatorer Capacitors Kondensatoren Kondensattorit

| Nr | Värde | Tol. ±% | Mat. | Sp. V | Art nr | Pos |
|-----|--------|---------|----------|-------|-------------|-----|
| 729 | 10 pF | | Elyt | 50 | 62 21344-01 | B5 |
| 730 | 10 pF | 0,25 pF | Keram | 63 | 62 21234-01 | B5 |
| 731 | 22 nF | +100-25 | Keram | 40 | 62 21344-01 | B6 |
| 801 | 47 nF | +80-20 | Keram | 40 | 62 21375-01 | A4 |
| 802 | 47 nF | +80-20 | Keram | 40 | 62 21375-01 | A4 |
| 803 | 100 pF | 5 | Elyt | 35 | 62 21172-01 | B5 |
| 804 | 47 nF | +80-20 | Keram | 40 | 62 21375-01 | A4 |
| 805 | 100 nF | 10 | Polyest. | 100 | 62 21139-01 | A1 |
| 806 | 125 pF | 5 | Styrol | 160 | 62 21246-01 | A1 |
| 807 | 680 pF | 5 | " | 160 | 62 21246-01 | A1 |
| 808 | 190 pF | 5 | " | 160 | 62 21246-01 | A1 |
| 809 | 47 nF | +80-20 | Keram | 40 | 62 21375-01 | A4 |
| 810 | 47 nF | +80-20 | Keram | 40 | 62 21375-01 | A4 |
| 811 | 1 μF | 20 | Polyest | 100 | 62 21139-01 | A1 |
| 812 | 2,5 μF | +50-10 | Elyt | 64 | 62 21172-01 | B5 |
| 813 | 220 pF | 5 | Styrol | 160 | 62 21246-01 | A1 |
| 814 | 1,2 nF | 2,5 | " | 63 | 62 21425-03 | A2 |
| 815 | 22 μF | +50-20 | Tantal | 10 | 62 21139-01 | A1 |
| 816 | 2,2 nF | +40-20 | Keram | 500 | 62 21139-01 | A1 |
| 817 | 47 nF | +80-20 | " | 40 | 62 21375-01 | A4 |
| 818 | 47 nF | +80-20 | " | 40 | 62 21375-01 | A4 |
| 819 | 68 pF | 2 | " | 63 | 62 21246-01 | B3 |
| 820 | | | | | | |
| 821 | 47 pF | 2 | Keram | 63 | 62 21371-01 | A3 |
| 822 | 100 pF | 2 | " | 63 | 62 21379-01 | A3 |
| 823 | 100 pF | 2 | " | 63 | 62 21256-01 | B2 |
| 824 | 10 μF | +50-20 | Tantal | 25 | 62 21139-01 | B3 |
| 825 | 470 pF | 2,5 | Styrol | 160 | 62 21246-01 | B3 |

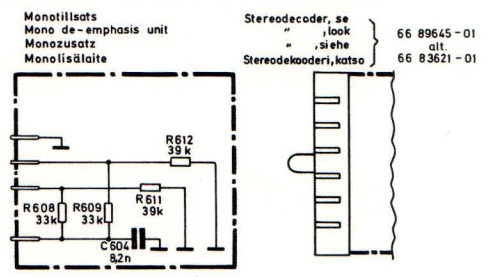
MF - förstärkare
 I.F. - amplifier
 ZF - Verstärker
 VT - varistritin



Tillkommer i chassi 15 33834-01
 in chassi 15 33834-01 only
 Nur im Chassis 15 33834-01
 Lisäksi chassi 15 33834-01



Kortsluter momentant vid omkoppling
 Short-circuiting when changing programme
 Wird beim Umschalten momentan kurzgeschlossen
 Lyhtysulun virityksen aikana.



Capacitors Kondensatorien Kondensattorit

| Mat. | Sp V | Art nr | Pos. |
|---------|---------|-----------------|------|
| 0.25 pF | Keram. | 63 62 21236-01 | B3 |
| 0.0-25 | Keram. | 40 62 21344-01 | B3 |
| 0-20 | Keram. | 40 62 21887-01 | A3 |
| 0-20 | Elyt | 35 62 21174-01 | B4 |
| 5 | Styrol | 160 62 21792-01 | A4 |
| 0-20 | Keram. | 40 62 21887-01 | A4 |
| 0 | Polyest | 100 62 21023-01 | B4 |
| 5 | Styrol | 160 62 21988-03 | A4 |
| 5 | " | 160 62 21027-01 | A4 |
| 5 | " | 160 62 21384-01 | A4 |
| 0-20 | Keram. | 40 62 21887-01 | A4 |
| 0 | Polyest | 100 62 21001-01 | B4 |
| 0-10 | Elyt | 64 62 21101-01 | B5 |
| 2.5 | Styrol | 160 62 21470-01 | A5 |
| 2.5 | " | 63 62 21978-01 | A5 |
| 0-20 | Tantal | 10 62 21163-01 | A5 |
| 0-20 | Keram. | 500 62 21139-01 | A5 |
| 0-20 | " | 40 62 21187-01 | A5 |
| 0-20 | " | 40 62 21187-01 | A5 |
| 2 | " | 63 62 21247-01 | A5 |
| 2 | Keram. | 63 62 21245-01 | A6 |
| 2 | " | 63 62 21371-01 | A6 |
| 2 | " | 63 62 21371-01 | A6 |
| 0-20 | Tantal | 25 62 21167-01 | A6 |
| 2.5 | Styrol | 160 62 30008-03 | B6 |

(L) Spolar Coils Spulen Kelat

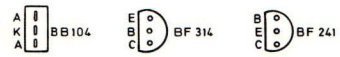
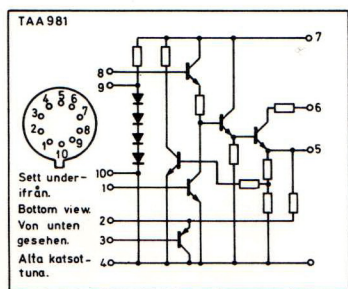
| Nr | Typ | Art nr | Art.nr | Pos. |
|-----|----------------------|-------------|-------------|------|
| 151 | HF-drossel | 59 23229-01 | 59 23229-01 | B3 |
| 152 | HF-drossel | 59 30022-01 | 59 30022-01 | B3 |
| 153 | HF-drossel | 59 30021-01 | 59 30021-01 | B3 |
| 701 | Antennspole UKV | 59 81711-01 | 59 89823-01 | A1 |
| 702 | HF-drossel | 59 27724-01 | 59 27724-01 | A1 |
| 703 | HF-drossel | 59 27725-01 | 59 27725-01 | A1 |
| 704 | HF-drossel | 59 57502-01 | 59 57502-01 | A2 |
| 705 | HF-drossel | 59 27723-01 | 59 27723-01 | A2 |
| 706 | HF-spole UKV | 59 81710-01 | 59 89823-01 | A2 |
| 707 | HF-spole UKV | 59 81710-01 | 59 89823-01 | A2 |
| 708 | HF-drossel | 59 56968-01 | 59 56968-01 | A3 |
| 709 | MF-spole 10,7 MHz | 59 81708-01 | 59 89822-01 | A3 |
| 710 | | | | |
| 711 | MF-spole 10,7 MHz | 59 81708-01 | 59 89822-01 | A3 |
| 712 | HF-drossel | 59 57502-01 | 59 57502-01 | A3 |
| 713 | HF-drossel | 59 57502-01 | 59 57502-01 | A3 |
| 714 | Osc-spole UKV | 59 81709-01 | 59 89823-01 | B3 |
| 801 | HF-drossel | 59 56759-01 | 59 56759-01 | A4 |
| 802 | MF-spole 10,7 MHz | 59 81704-01 | 59 82813-01 | A4 |
| 803 | MF-spole 10,7 MHz | 59 81705-01 | 59 82813-01 | A4 |
| 804 | MF-spole 10,7 MHz | 59 81705-01 | 59 82813-01 | A5 |
| 805 | MF-spole 10,7 MHz | 59 81707-01 | 59 82813-01 | A5 |
| 806 | Prim-spole, detektor | 59 81727-01 | 59 82813-01 | A6 |
| 807 | Sek-spole, detektor | 59 81728-01 | 59 82813-01 | B6 |
| 808 | HF-drossel | 59 56969-01 | 59 56969-01 | |

(D) Deoder Diodes Diöden Diodit

| Nr | Typ | Art nr | Pos. |
|-----|----------|-------------|------|
| 701 | BB 104 | 63 08865-01 | A1 |
| 702 | BB 104 | 63 08865-01 | A2 |
| 703 | BB 104 | 63 08865-01 | A2 |
| 704 | BB 104 | 63 08865-01 | B3 |
| 705 | BA 138 | 63 08865-01 | B3 |
| 801 | ZY 24 | 63 08747-01 | B4 |
| 802 | BA 164 | 63 08844-01 | B4 |
| 803 | BA 164 | 63 08844-01 | B4 |
| 804 | 2x AA119 | 63 08603-01 | A6 |
| 805 | AA119 | 63 08603-01 | A6 |

(Q) Transistorer Transistors Transistorit

| Nr | Typ | Art nr | Pos. |
|-----|--------|-------------|------|
| 701 | BF 314 | 63 09217-01 | A1 |
| 702 | BF 241 | 63 09216-01 | A3 |
| 703 | BF 241 | 63 09216-01 | B2 |
| 801 | BF 241 | 63 09216-01 | A4 |
| 802 | BF 241 | 63 09216-01 | A4 |



Sett underifrån. Bottom view. Von unten gesehen. Alta katsottuna.

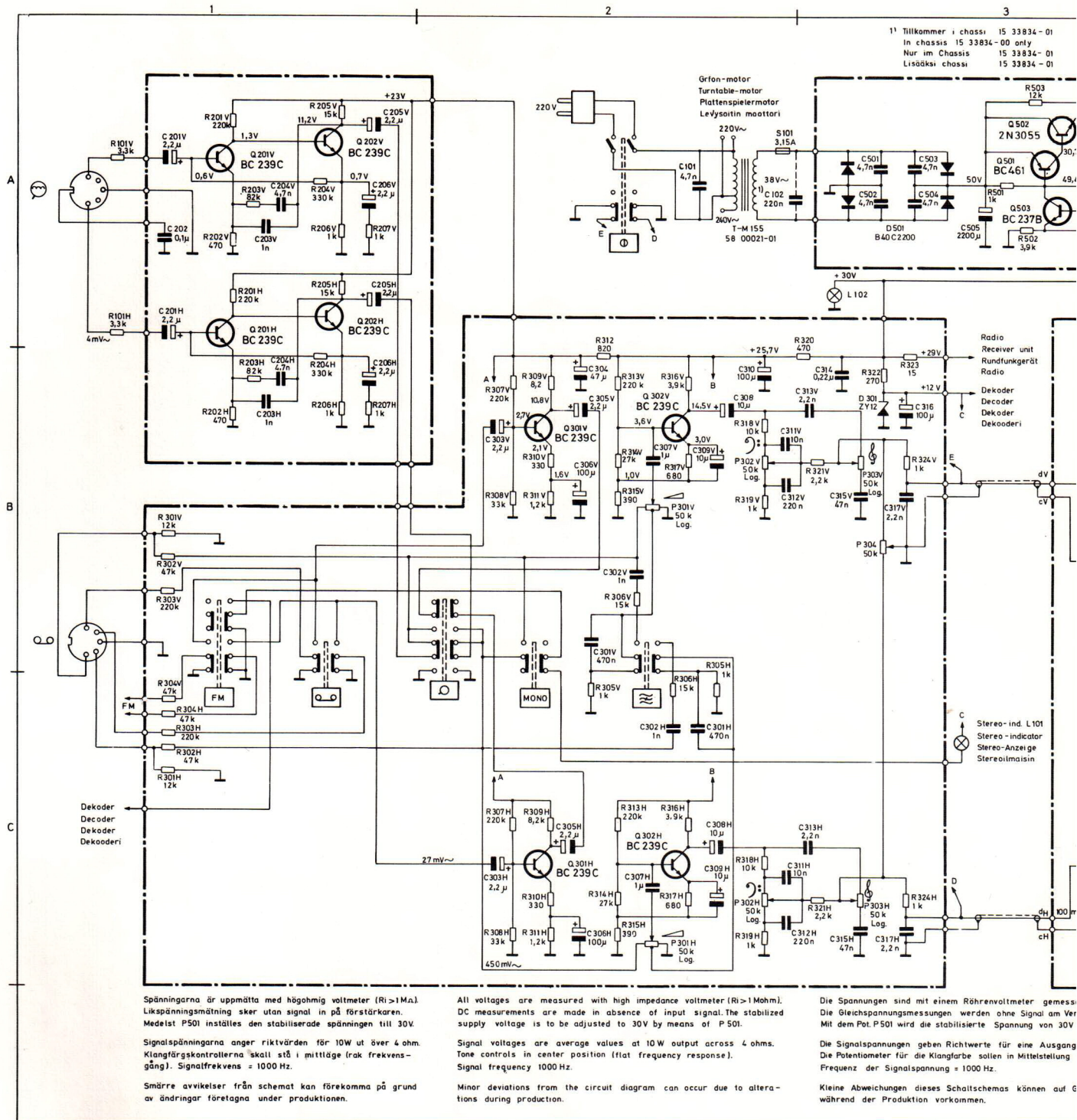
Smärre avvikelser från schemat kan förekomma på grund av ändringar företagna under produktion.

Kytikikaavassa saatava ilmetä joitakin poikkeuksia johtuen valmistuksen aikana tehdyistä muutoksista.

Minor deviations from the circuit diagram may occur due to alterations during production.

Kleine Abweichungen dieses Schalt-schemas können auf grund von Änderungen während der Produktion vorkommen.

KOPPLINGSKEMA FÖRSTÄRKARDELEN



Spänningarna är uppmätta med högohmig voltmeter ($R_i > 1 \text{ M}\Omega$).
 Likspänningsmätning sker utan signal in på förstärkaren.
 Medelst P501 inställas den stabiliserade spänningen till 30V.

Signalspänningarna anger riktvärden för 10W ut över 4 ohm.
 Klangfärgskontrasterna skall stå i mittläge (rak frekvensgång).
 Signalfrekvens = 1000 Hz.

Smärre avvikelser från schemat kan förekomma på grund av ändringar företagna under produktionen.

All voltages are measured with high impedance voltmeter ($R_i > 1 \text{ Mohm}$).
 DC measurements are made in absence of input signal. The stabilized supply voltage is to be adjusted to 30V by means of P 501.

Signal voltages are average values at 10W output across 4 ohms.
 Tone controls in center position (flat frequency response).
 Signal frequency 1000 Hz.

Minor deviations from the circuit diagram can occur due to alterations during production.

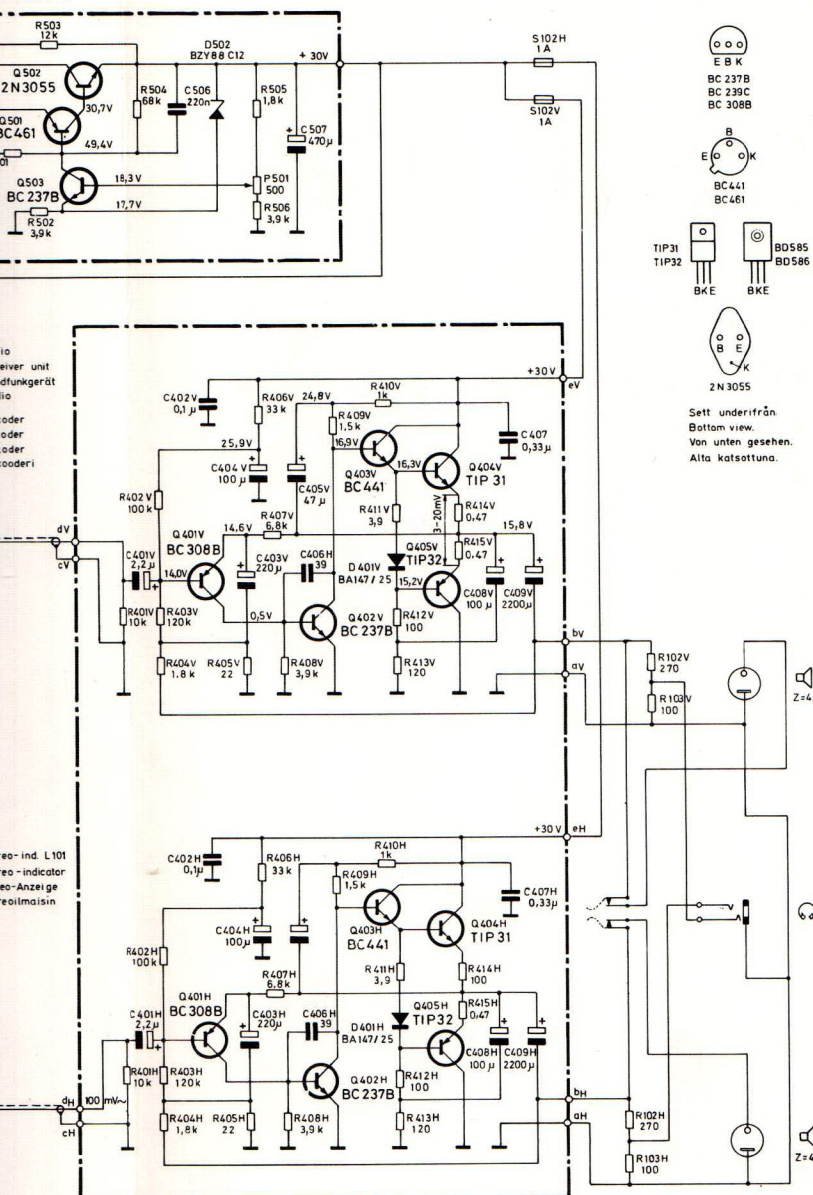
Die Spannungen sind mit einem Röhrevoltmeter gemessen.
 Die Gleichspannungsmessungen werden ohne Signal am Ver.
 Mit dem Pot. P501 wird die stabilisierte Spannung von 30V

Die Signalspannungen geben Richtwerte für eine Ausgang.
 Die Potentiometer für die Klangfarbe sollen in Mittelstellung.
 Frequenz der Signalspannung = 1000 Hz.

Kleine Abweichungen dieses Schaltschemas können auf während der Produktion vorkommen.

15 33834-01
-00 only
15 33834-01
15 33834-01

66 83831-01



radio receiver unit
undfunkgerät
radio
ekooderi
ekooderi
ekooderi
ekooderi

ereolind L101
ereolindicator
ereolind-Anzeige
ereolindmaisin

entwärtmeter gemessen.
ohne Signal am Verstärker durchgeführt.
Spannung von 30V eingestellt.
für eine Ausgangsleistung von 10W an 4 Ohm an.
allen in Mittelstellung stehen (Linearer Frequenzgang).
Hz.
hemas können auf Grund von Änderungen
L.

Jännitteet on mitattu putkivoltmittarilla.
Tasavirtamittauksen aikana vahvistimeen ei syötetä signaalia.
Stabiilijännite asetetaan P50:n avulla arvoon 30V.
Signaalijännitteet pntavat keskimäärin 10W 4 ohmin vastuksen kautta.
Äänenjäräsäätimen tulee olla keskipaasnesssa (suora taajuuskäyrä).
Signaalijännitteiden taajuus = 1000 Hz.
Kytäkaavassa saattaa ilmetä joutakar poikkeuksia johtuen
valmistuksen aikana tehdyistä muutoksista.

Sett underifrån
Bottom view.
Van unten gesehen.
Alta katsottuna.

(C) Kondensatorer Capacitors Kondensatoren Kondensaatit

| Nr | Art.nr | Värde | Tol.±% | Mat. | Sp. V | Pos. |
|-----|-------------|---------|--------|--------|-------|------|
| 101 | 62 12629-01 | 4,7 nF | 20 | Papper | 1000 | A2 |
| 102 | 62 21068-01 | 220 nF | 10 | Polyst | 250 | A3 |
| 201 | 62 50019-01 | 2,2 μF | ±50-20 | Tantal | 25 | A1 |
| 202 | 62 21023-01 | 100 nF | 10 | Polyst | 100 | A1 |
| 203 | 62 21820-01 | 1 nF | 10 | Keram | 500 | AB1 |
| 204 | 62 30025-01 | 4,7 nF | 5 | Styrol | 63 | AB1 |
| 205 | 62 50019-01 | 2,2 μF | ±50-20 | Tantal | 25 | AB1 |
| 206 | 62 50019-01 | 2,2 μF | ±50-20 | " | 25 | AB1 |
| 301 | 62 21048-01 | 4,70 nF | 20 | " | 100 | BC2 |
| 302 | 62 21820-01 | 1 nF | 10 | Keram | 500 | BC2 |
| 303 | 62 21165-01 | 2,2 μF | ±50-20 | Tantal | 25 | BC2 |
| 304 | 62 21305-01 | 4,7 μF | ±50-10 | Elyt | 25 | BC2 |
| 305 | 62 21165-01 | 2,2 μF | ±50-20 | Tantal | 25 | BC2 |
| 306 | 62 21308-01 | 100 μF | ±50-10 | Elyt | 40 | BC2 |
| 307 | 62 21001-01 | 1 μF | 10 | Polyst | 100 | BC2 |
| 308 | 62 21167-02 | 10 μF | ±50-20 | Tantal | 25 | BC2 |
| 309 | 62 21167-02 | 10 μF | ±50-20 | " | 25 | BC2 |
| 310 | 62 21308-01 | 100 μF | ±50-10 | Elyt | 40 | BC2 |
| 311 | 62 12705-01 | 10 nF | 10 | Polyst | 400 | BC2 |
| 312 | 62 21066-01 | 220 nF | 10 | " | 250 | BC2 |
| 313 | 62 21093-01 | 2,2 nF | 10 | Keram | 500 | BC3 |
| 314 | 62 21297-01 | 220 nF | 20 | Polyst | 100 | BC3 |
| 315 | 62 21186-01 | 4,7 nF | 10 | " | 250 | BC3 |
| 316 | 62 21308-01 | 100 μF | ±50-10 | Elyt | 40 | BC3 |
| 317 | 62 21093-01 | 2,2 nF | 10 | Keram | 500 | BC3 |
| 401 | 62 50019-01 | 2,2 μF | ±50-20 | Tantal | 25 | BC3 |
| 402 | 62 21023-01 | 100 nF | 10 | Polyst | 100 | BC3 |
| 403 | 62 21308-01 | 220 μF | ±50-10 | Elyt | 25 | BC3 |
| 404 | 62 21308-01 | 100 μF | ±50-10 | " | 40 | BC3 |
| 405 | 62 21305-01 | 4,7 μF | ±50-10 | " | 25 | BC3 |
| 406 | 62 21244-01 | 39 pF | 2 | Keram | 63 | BC4 |
| 407 | 62 21308-02 | 330 nF | 20 | Polyst | 250 | BC4 |
| 408 | 62 21195-01 | 100 μF | ±50-20 | Elyt | 25 | BC4 |
| 409 | 62 50026-01 | 2200 μF | ±50-10 | " | 40 | BC4 |
| 501 | 62 21338-01 | 4,7 nF | 20 | Keram | 500 | A3 |
| 502 | 62 21338-01 | 4,7 nF | 20 | " | 500 | A3 |
| 503 | 62 21338-01 | 4,7 nF | 20 | " | 500 | A3 |
| 504 | 62 21338-01 | 4,7 nF | 20 | " | 500 | A3 |
| 505 | 62 50001-01 | 2200 μF | ±50-10 | Elyt | 63 | A3 |
| 506 | 62 21297-01 | 220 nF | 20 | Polyst | 100 | A3 |
| 507 | 62 21355-01 | 470 nF | ±50-10 | Elyt | 40 | A4 |

(R) Motstånd Resistors Widerstände Vastukset

| Nr | Art.nr | Värde | Tol.±% | Mat. | Bet. W | Pos. |
|-----|-------------|--------|--------|----------|--------|------|
| 101 | 61 29262-01 | 33 kΩ | 5 | Kolskikt | 0,33 | A1 |
| 102 | 61 29401-01 | 270 Ω | 5 | Massa | 0,5 | BC4 |
| 103 | 61 29470-01 | 100 Ω | 5 | " | 0,5 | BC4 |
| 201 | 61 29520-01 | 220 kΩ | 5 | Kolskikt | 0,33 | A1 |
| 202 | 61 29256-01 | 470 Ω | 5 | " | 0,33 | AB1 |
| 203 | 61 29298-01 | 82 kΩ | 5 | " | 0,33 | AB1 |
| 204 | 61 29545-01 | 330 kΩ | 5 | " | 0,33 | AB1 |
| 205 | 61 29345-01 | 15 kΩ | 5 | " | 0,33 | A1 |
| 206 | 61 29258-01 | 1 kΩ | 5 | " | 0,33 | AB1 |
| 207 | 61 29258-01 | 1 kΩ | 5 | " | 0,33 | AB1 |
| 301 | 61 29266-01 | 12 kΩ | 5 | Kolskikt | 0,33 | BC1 |
| 302 | 61 29272-01 | 47 kΩ | 5 | " | 0,33 | BC1 |
| 303 | 61 29520-01 | 220 kΩ | 5 | " | 0,33 | BC1 |
| 304 | 61 29272-01 | 47 kΩ | 5 | " | 0,33 | C1 |
| 305 | 61 29258-01 | 1 kΩ | 5 | " | 0,33 | C2 |
| 306 | 61 29345-01 | 15 kΩ | 5 | " | 0,33 | BC2 |
| 307 | 61 29520-01 | 220 kΩ | 5 | " | 0,33 | BC2 |
| 308 | 61 29270-01 | 33 kΩ | 5 | " | 0,33 | BC2 |
| 309 | 61 29282-01 | 82 kΩ | 5 | " | 0,33 | BC2 |
| 310 | 61 29254-01 | 330 Ω | 5 | " | 0,33 | BC2 |
| 311 | 61 29290-01 | 12 kΩ | 5 | " | 0,33 | BC2 |
| 316 | 61 29357-01 | 39 kΩ | 5 | " | 0,33 | BC2 |
| 317 | 61 29257-01 | 680 kΩ | 5 | " | 0,33 | BC2 |
| 318 | 61 29265-01 | 10 kΩ | 5 | " | 0,33 | BC2 |
| 319 | 61 29258-01 | 1 kΩ | 5 | " | 0,33 | BC2 |
| 320 | 61 29256-01 | 470 Ω | 5 | " | 0,33 | BC2 |
| 321 | 61 29260-01 | 2,2 kΩ | 5 | " | 0,33 | BC3 |
| 322 | 61 10026-01 | 270 Ω | 5 | Trädl. | 4 | B3 |
| 323 | 61 29672-01 | 15 Ω | 5 | Kolskikt | 0,33 | B3 |
| 326 | 61 29707-01 | 1 kΩ | 5 | " | 0,5 | BC3 |
| 401 | 61 29265-01 | 10 kΩ | 5 | Kolskikt | 0,33 | BC3 |
| 402 | 61 29276-01 | 100 kΩ | 5 | " | 0,33 | BC3 |
| 403 | 61 29677-01 | 120 kΩ | 5 | " | 0,33 | BC3 |
| 404 | 61 29676-01 | 1,8 kΩ | 5 | " | 0,33 | BC3 |
| 405 | 61 29247-01 | 22 Ω | 5 | " | 0,33 | BC3 |
| 406 | 61 29270-01 | 33 kΩ | 5 | " | 0,33 | BC3 |
| 407 | 61 29264-01 | 6,8 kΩ | 5 | " | 0,33 | BC3 |
| 408 | 61 29357-01 | 39 kΩ | 5 | " | 0,33 | BC3 |
| 409 | 61 29259-01 | 15 kΩ | 5 | " | 0,33 | BC3 |
| 410 | 61 29258-01 | 1 kΩ | 5 | " | 0,33 | BC3 |
| 411 | 61 29668-01 | 39 Ω | 5 | " | 0,5 | BC3 |
| 412 | 61 29798-01 | 107 Ω | 5 | " | 1 | BC3 |
| 413 | 61 29859-01 | 120 Ω | 5 | " | 1 | BC3 |
| 416 | 61 29519-01 | 0,47 Ω | 10 | Trädl. | 4 | BC3 |
| 415 | 61 29519-01 | 0,47 Ω | 10 | " | 4 | BC3 |

(P) Potentiometrar Potentiometers Potentiometer Potentiometri

| Nr | Art.nr | Värde | Funktion | Pos. |
|-----|-------------|-----------|----------------|------|
| 501 | 61 17549-01 | 2 x 50 kΩ | Valvym | BC2 |
| 502 | 61 17599-01 | 2 x 50 kΩ | Klangfärg Bas | BC2 |
| 503 | 61 17599-01 | 2 x 50 kΩ | Klangfärg Disk | BC3 |
| 504 | 61 70007-01 | 50 kΩ | Balans | B3 |
| 505 | 61 17549-01 | 200 Ω | Reglerpot. | A4 |

(Q) Transistorer Transistor's Transistoren

| Nr | Art.nr | Typ | Pos. |
|-----|-------------|----------|------|
| 201 | 63 10008-01 | BC 239 C | A1 |
| 202 | 63 10008-01 | BC 239 C | A1 |
| 301 | 63 10008-01 | BC 239 C | BC2 |
| 302 | 63 10008-01 | BC 239 C | BC2 |
| 401 | 63 10023-01 | BC 308 B | BC3 |
| 402 | 63 10004-01 | BC 237 B | BC4 |
| 403 | 63 10018-01 | BC 441 | BC1 |
| 404 | 63 10019-01 | TIP31/BK | BC4 |
| 405 | 63 10019-01 | TIP31/BK | BC4 |
| 501 | 63 10020-01 | BC 461 | A3 |
| 502 | 63 20014-01 | 2N 3055 | A3 |
| 503 | 63 10004-01 | BC 237B | A3 |

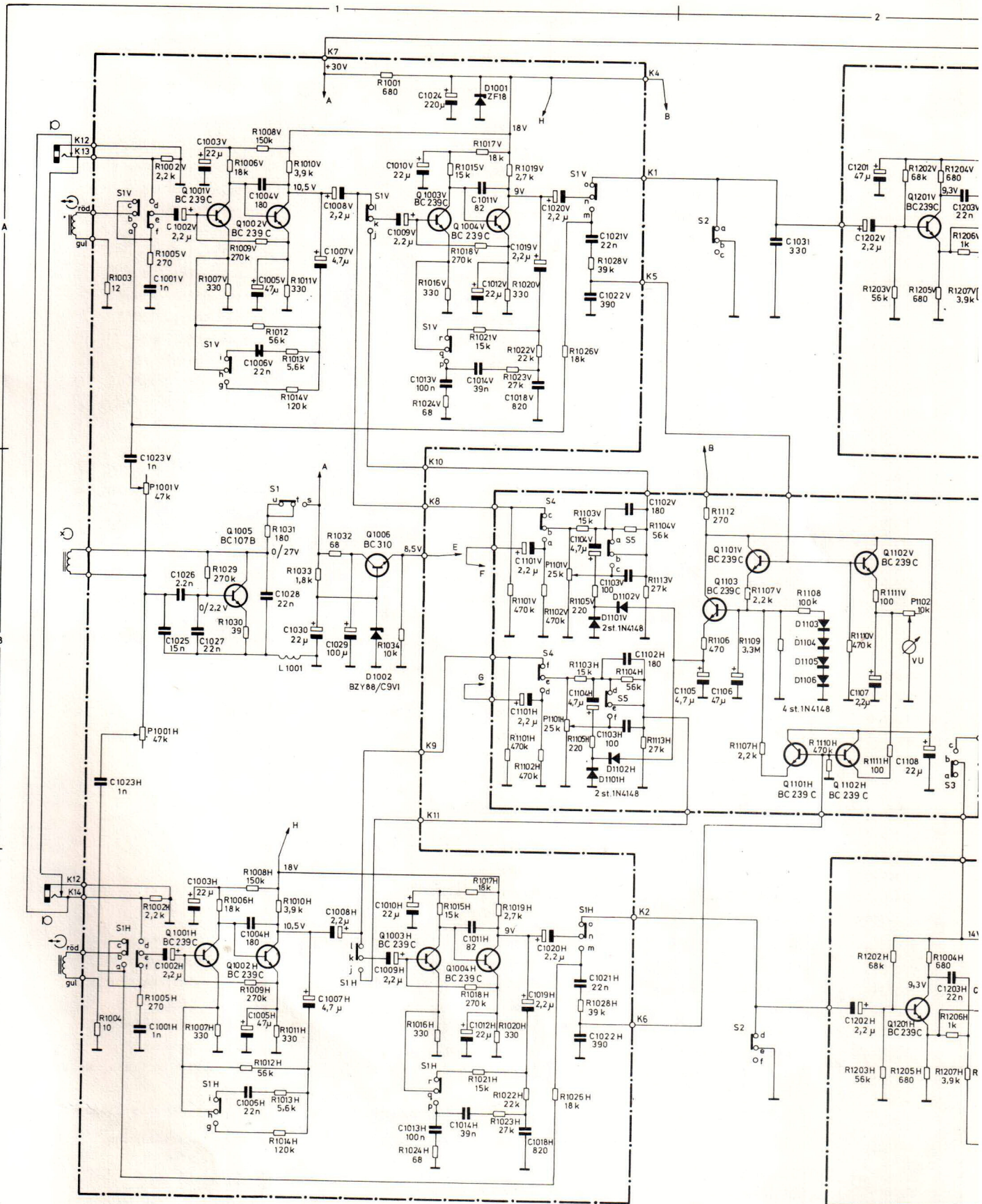
(S) Säkringar Fuses Sicherungen Sulakkeet

| Nr | Art.nr | Värde | Pos. |
|-----|-------------|--------|------|
| 101 | 65 89903-01 | 3,15 A | A2 |
| 102 | 65 14935-01 | 1 A | A4 |

(L) Lampor Lamps Lampen Lamput

| Nr | Art.nr | Värde | Pos. |
|-----|-------------|----------|------|
| 101 | 65 22780-01 | 24V/50mA | B3 |
| 102 | 65 30004-01 | 48V/2W | B3 |

KOPPLINSSCHEMA KASSETTBANDSPELARE

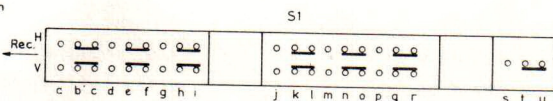


Alla omkopplare visade i läge "ej intryckt" S1 visad i läge "play".

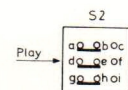
All switches shown in position "not depressed" S1 in position "play".

Alle Umschalter "in nicht gedrückt" Stellung. S1 in Stellung "Play".

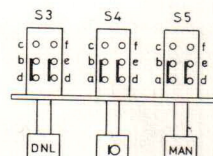
Kaikki vaihtokytimet näytetty asenossa "ei sisäänpainettu" S1 näytetty asenossa "Play".



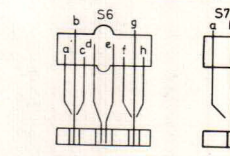
Från undersidan. 55 30076-01
 Bottom view. "
 Von unten gesehen. "
 Alapuloelta. "



Från däckets undersida. From underneath of deck. Von Laufwerk-Unterseite gesehen. Vetoosan alapuolelta.

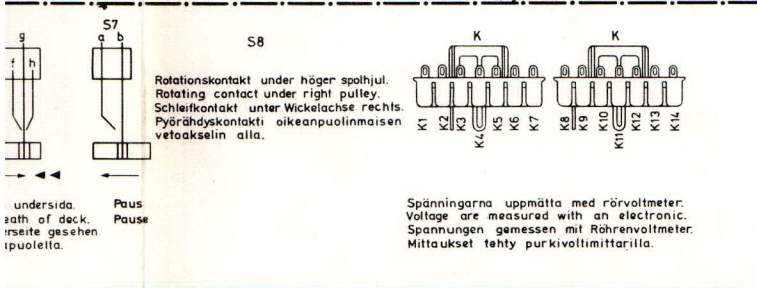
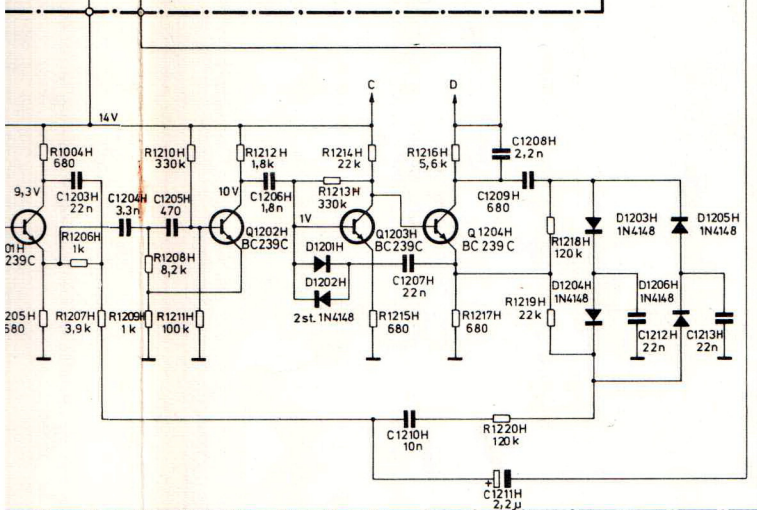
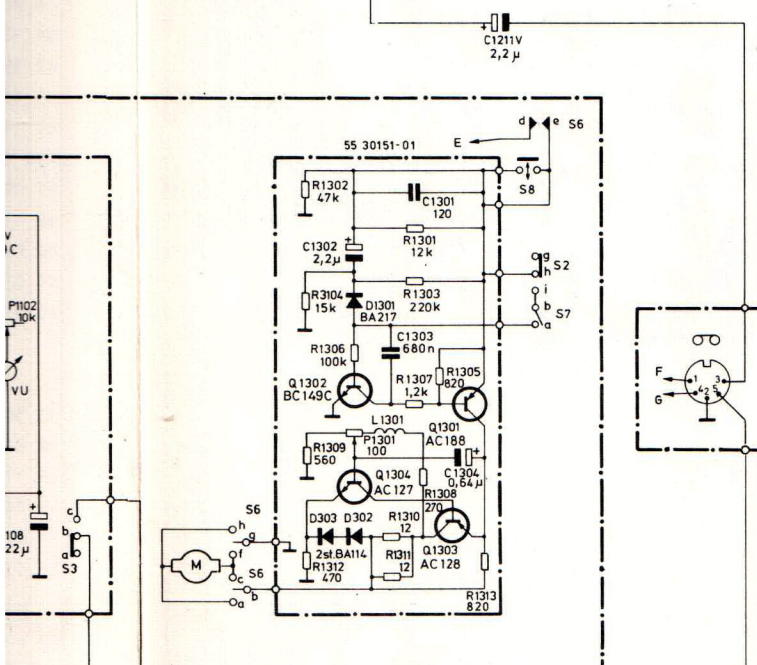
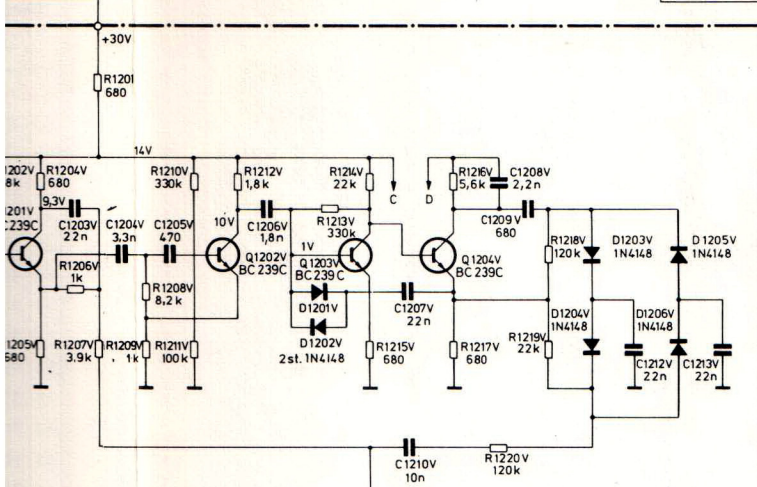


Från översidan. From component side. Von oben gesehen. Yläpuolelta.



Från däckets undersida. From underneath of deck. Von Laufwerk-Unterseite gesehen. Vetoosan alapuolelta.

Pt Pt



(C) Kondensatorer Capacitors Kondensatoren Kondensattorit

| Nr | Art nr | Värde | Tol ± % | Mat | Sp | V | Pos |
|------|-------------|--------|---------|-----------|-----|-----|-----|
| 1001 | 62 00288-01 | 1 nF | 10 | Keram | 100 | AC1 | |
| 1002 | 62 50020-01 | 4,7 µF | +50-20 | Tantal | 35 | AC1 | |
| 1003 | 62 50024-01 | 22 µF | +50-20 | " | 10 | AC1 | |
| 1004 | 62 21369-01 | 180 pF | 2 | Keram | 63 | AC1 | |
| 1005 | 62 50025-01 | 47 µF | +50-20 | Tantal | 3 | AC1 | |
| 1006 | 62 20051-01 | 22 nF | 5 | Polycarb | 250 | AC1 | |
| 1007 | 62 50020-01 | 4,7 µF | +50-20 | Tantal | 25 | AC1 | |
| 1008 | 62 21165-02 | 2,2 µF | +50-20 | " | 25 | AC1 | |
| 1009 | 62 50019-01 | 2,2 µF | +50-20 | " | 35 | AC1 | |
| 1010 | 62 50024-01 | 22 µF | +50-20 | " | 10 | AC1 | |
| 1011 | 62 21248-01 | 82 pF | 2 | Keram | 63 | AC1 | |
| 1012 | 62 50024-01 | 22 µF | +50-20 | Tantal | 10 | AC1 | |
| 1013 | 62 20016-01 | 100 nF | 5 | Polycarb | 250 | AC1 | |
| 1014 | 62 20025-01 | 39 nF | " | " | 250 | AC1 | |
| 1018 | 62 30027-01 | 820 pF | 2,5 | Silyrol | 150 | AC1 | |
| 1019 | 62 50019-01 | 2,2 µF | +50-20 | Tantal | 35 | AC1 | |
| 1020 | 62 50019-01 | 2,2 µF | +50-20 | " | 35 | AC1 | |
| 1021 | 62 21107-01 | 22 nF | 10 | Polyester | 400 | AC1 | |
| 1022 | 62 30017-01 | 390 pF | 2,5 | Silyrol | 630 | AC1 | |
| 1023 | 62 21337-01 | 1 nF | 20 | Keram | 500 | B1 | |
| 1024 | 62 21306-01 | 220 pF | +50-10 | Elyyt | 25 | A1 | |
| 1025 | 62 21100-01 | 15 nF | 10 | Polyest | 400 | B1 | |
| 1026 | 62 21336-01 | 22 nF | 10 | Keram | 500 | B1 | |
| 1027 | 62 21107-01 | 22 nF | 10 | Polyest | 400 | B1 | |
| 1028 | 62 21107-01 | 22 nF | 10 | " | 400 | B1 | |
| 1029 | 62 21175-01 | 100 µF | +50-20 | Elyyt | 25 | B1 | |
| 1030 | 62 50026-01 | 22 µF | +50-20 | Tantal | 10 | B1 | |
| 1031 | 62 30007-01 | 390 pF | 2,5 | Silyrol | 63 | A2 | |
| 1101 | 62 50010-01 | 2,2 µF | +50-20 | Tantal | 35 | B1 | |
| 1102 | 62 21369-01 | 180 pF | 2 | Keram | 63 | B1 | |
| 1103 | 62 21371-01 | 100 pF | 2 | " | 63 | B1 | |
| 1104 | 62 50020-01 | 4,7 µF | +50-20 | Tantal | 25 | B1 | |

(R) Motstånd Resistors Widerstände Vastukset

| Nr | Art nr | Värde | Tol ± % | Mat | Bel.W | Pos |
|------|-------------|--------|---------|----------|-------|-----|
| 1001 | 61 29469-01 | 680 Ω | 5 | Kolskikt | 1/2 | A1 |
| 1002 | 61 29260-01 | 2,2 kΩ | 5 | " | 1/3 | AC1 |
| 1003 | 61 29442-01 | 12 Ω | 5 | " | 1/3 | A1 |
| 1004 | 61 29671-01 | 10 Ω | 5 | " | 1/3 | AC1 |
| 1005 | 61 29243-01 | 270 Ω | 5 | " | 1/3 | AC1 |
| 1006 | 61 29267-01 | 18 kΩ | 5 | " | 1/3 | AC1 |
| 1007 | 61 29254-01 | 330 Ω | 5 | " | 1/3 | AC1 |
| 1008 | 61 29275-01 | 150 kΩ | 5 | " | 1/3 | AC1 |
| 1009 | 61 29264-01 | 180 pF | 2 | Keram | 63 | B1 |
| 1010 | 61 29357-01 | 39 kΩ | 5 | " | 1/3 | AC1 |
| 1011 | 61 29254-01 | 330 Ω | 5 | " | 1/3 | AC1 |
| 1012 | 61 29300-01 | 56 kΩ | 5 | " | 1/3 | AC1 |
| 1013 | 61 29243-01 | 270 Ω | 5 | " | 1/3 | AC1 |
| 1014 | 61 29677-01 | 120 kΩ | 5 | " | 1/3 | AC1 |
| 1015 | 61 29345-01 | 15 kΩ | 5 | " | 1/3 | AC1 |
| 1016 | 61 29254-01 | 330 Ω | 5 | " | 1/3 | AC1 |
| 1017 | 61 29267-01 | 18 kΩ | 5 | " | 1/3 | AC1 |
| 1018 | 61 29544-01 | 270 kΩ | 5 | " | 1/3 | AC1 |
| 1019 | 61 29261-01 | 2,7 kΩ | 5 | " | 1/3 | AC1 |
| 1020 | 61 29254-01 | 330 Ω | 5 | " | 1/3 | AC1 |
| 1021 | 61 29243-01 | 270 Ω | 5 | " | 1/3 | AC1 |
| 1022 | 61 29268-01 | 22 kΩ | 5 | " | 1/3 | AC1 |
| 1023 | 61 29269-01 | 27 kΩ | 5 | " | 1/3 | AC1 |
| 1024 | 61 29511-01 | 68 Ω | 5 | " | 1/3 | AC1 |
| 1026 | 61 29267-01 | 18 kΩ | 5 | Kolskikt | 1/3 | AC1 |
| 1028 | 61 29271-01 | 39 kΩ | 5 | Kolskikt | 1/3 | AC1 |
| 1029 | 61 29544-01 | 270 kΩ | 5 | " | 1/3 | AC1 |
| 1030 | 61 29614-01 | 39 Ω | 5 | " | 1/3 | B1 |
| 1033 | 61 29267-01 | 18 kΩ | 5 | Kolskikt | 1/3 | AC1 |
| 1034 | 61 29265-01 | 10 kΩ | 5 | " | 1/3 | B1 |
| 1032 | 61 29629-01 | 68 Ω | 5 | Tägl. | 4 | B1 |
| 1101 | 61 29003-01 | 470 kΩ | 5 | Kolskikt | 1/3 | B1 |
| 1102 | 61 29003-01 | 470 kΩ | 5 | " | 1/3 | B1 |
| 1103 | 61 29245-01 | 15 kΩ | 5 | " | 1/3 | B1 |
| 1104 | 61 29001-01 | 56 kΩ | 5 | " | 1/3 | B1 |
| 1105 | 61 29252-01 | 220 Ω | 5 | " | 1/3 | B1 |
| 1106 | 61 29256-01 | 470 Ω | 5 | " | 1/3 | B2 |
| 1107 | 61 29260-01 | 2,2 kΩ | 5 | " | 1/3 | B2 |
| 1108 | 61 29274-01 | 100 kΩ | 5 | " | 1/3 | B2 |
| 1109 | 61 29755-01 | 33 MΩ | 10 | " | 1/2 | B4 |
| 1110 | 61 29003-01 | 470 kΩ | 5 | " | 1/3 | B2 |
| 1111 | 61 29250-01 | 100 Ω | 5 | Kolskikt | 1/3 | B2 |
| 1112 | 61 29253-01 | 270 Ω | 5 | " | 1/3 | B2 |
| 1113 | 61 29269-01 | 27 kΩ | 5 | " | 1/3 | B1 |
| 1201 | 61 29257-01 | 680 Ω | 5 | Kolskikt | 1/3 | A2 |
| 1202 | 61 29273-01 | 68 kΩ | 5 | " | 1/3 | AC2 |
| 1203 | 61 29001-01 | 56 kΩ | 5 | " | 1/3 | AC2 |
| 1204 | 61 29257-01 | 680 Ω | 5 | " | 1/3 | AC2 |
| 1205 | 61 29257-01 | 680 Ω | 5 | " | 1/3 | AC2 |
| 1206 | 61 29258-01 | 1 kΩ | 5 | " | 1/3 | AC2 |
| 1207 | 61 29357-01 | 3,9 kΩ | 5 | " | 1/3 | AC2 |
| 1208 | 61 29282-01 | 8,2 kΩ | 5 | " | 1/3 | AC2 |
| 1209 | 61 29258-01 | 1 kΩ | 5 | " | 1/3 | AC2 |
| 1210 | 61 29545-01 | 330 kΩ | 5 | " | 1/3 | AC2 |
| 1211 | 61 29274-01 | 100 kΩ | 5 | " | 1/3 | AC2 |
| 1212 | 61 29676-01 | 1,8 kΩ | 5 | " | 1/3 | AC2 |
| 1213 | 61 29545-01 | 330 kΩ | 5 | " | 1/3 | AC3 |
| 1214 | 61 29268-01 | 22 kΩ | 5 | " | 1/3 | AC3 |
| 1215 | 61 29257-01 | 680 Ω | 5 | " | 1/3 | AC3 |
| 1216 | 61 29291-01 | 5,6 kΩ | 5 | " | 1/3 | AC3 |
| 1217 | 61 29257-01 | 680 Ω | 5 | " | 1/3 | AC3 |
| 1218 | 61 29677-01 | 120 kΩ | 5 | " | 1/3 | AC3 |
| 1219 | 61 29268-01 | 22 kΩ | 5 | " | 1/3 | AC3 |
| 1220 | 61 29677-01 | 120 kΩ | 5 | " | 1/3 | AC3 |
| 1301 | 61 29266-01 | 1,2 kΩ | 5 | Kolskikt | 1/3 | B3 |
| 1302 | 61 29272-01 | 4,7 kΩ | 5 | " | 1/3 | B3 |
| 1303 | 61 29520-01 | 220 kΩ | 5 | " | 1/3 | B3 |
| 1304 | 61 29345-01 | 15 kΩ | 5 | " | 1/3 | B3 |
| 1305 | 61 29675-01 | 820 Ω | 5 | " | 1/3 | B3 |
| 1306 | 61 29274-01 | 100 kΩ | 5 | " | 1/3 | B3 |
| 1307 | 61 29290-01 | 1,2 kΩ | 5 | " | 1/3 | B3 |
| 1308 | 61 29253-01 | 270 Ω | 5 | " | 1/3 | B3 |
| 1309 | 61 29300-01 | 560 Ω | 5 | " | 1/3 | B3 |
| 1310 | 61 29442-01 | 12 Ω | 5 | " | 1/3 | B3 |
| 1311 | 61 29442-01 | 12 Ω | 5 | " | 1/3 | B3 |
| 1312 | 61 29256-01 | 470 Ω | 5 | " | 1/3 | B3 |
| 1313 | 61 29675-01 | 820 Ω | 5 | " | 1/3 | B3 |

(D) Dioder Dioden Diodes Diodit

| Nr | Art nr | Typ | Pos |
|------|-------------|------------|-----|
| 1001 | 63 08725-01 | ZF 18 | A1 |
| 1002 | 63 08719-01 | BZY88/C9V1 | B1 |
| 1101 | 63 08824-01 | IN4148 | B1 |
| 1102 | 63 08824-01 | IN4148 | B1 |
| 1103 | 63 08824-01 | IN4148 | B2 |
| 1104 | 63 08824-01 | IN4148 | B2 |
| 1105 | 63 08824-01 | IN4148 | B2 |
| 1106 | 63 08824-01 | IN4148 | B2 |
| 1201 | 63 08824-01 | IN4148 | AC3 |
| 1202 | 63 08824-01 | IN4148 | AC3 |
| 1203 | 63 08824-01 | IN4148 | AC3 |
| 1204 | 63 08824-01 | IN4148 | AC3 |
| 1205 | 63 08824-01 | IN4148 | AC3 |
| 1206 | 63 08824-01 | IN4148 | AC3 |
| 1301 | 63 40051-01 | BA 217 | B3 |
| 1302 | 63 08803-01 | BA 114 | B3 |
| 1303 | 63 08803-01 | BA 114 | B3 |

(L) Spolar Coils Spulen Kelat

| Nr | Art nr | Benämning | Pos |
|------|-------------|--------------|-----|
| 1001 | 59 10025-01 | Oscillator | B1 |
| 1301 | 59 00066-01 | Motor regler | B3 |

(P) Potentiometrar Potentiometers Potentiometer Potentiometri

| Nr | Art nr | Värde | Funktion | Pos |
|------|-------------|------------|-------------|-----|
| 1001 | 61 17705-01 | 27 kΩ | Bias | B1 |
| 1101 | 61 70008-01 | 2x25kΩ log | Inspeln. | B1 |
| 1102 | 61 17961-01 | 10kΩ | Instrum. | B2 |
| 1301 | 61 82050-01 | 100Ω | Motor regl. | B3 |

Smärre avvikelser från schemat kan förekomma på grund av ändringar företagna under produktionen.
 Minor deviations from the circuit diagram may occur due to alterations during production.
 Kleine Abweichungen dieses Schaltschemas können auf Grund von Änderungen während der Produktion vorkommen.
 Kytikäävassa saatavaa liimettä joutakir poikkeuksia johtuen valmistuksen aikana tehdyistä muutoksista.