

S 103

Leads connected to S103

pre power

tape monitor
aux
tuner
ph 2
ph 1

J102
J103
J104
J105
J106

white
grey
blue
yellow
green
orange
pink

7 MIC
8 PHONO
9 L
3 MIC
2 PHONO

6 L
+20V
5
0V
-20V
4 R

U200
U500

V501
V502
V503
V504
V505
V506

ZTX107BL
ZTX384BL

R291
R292
R293
R294
R295

C291
C292
C293
C294

+35V
+20V
0V
-20V

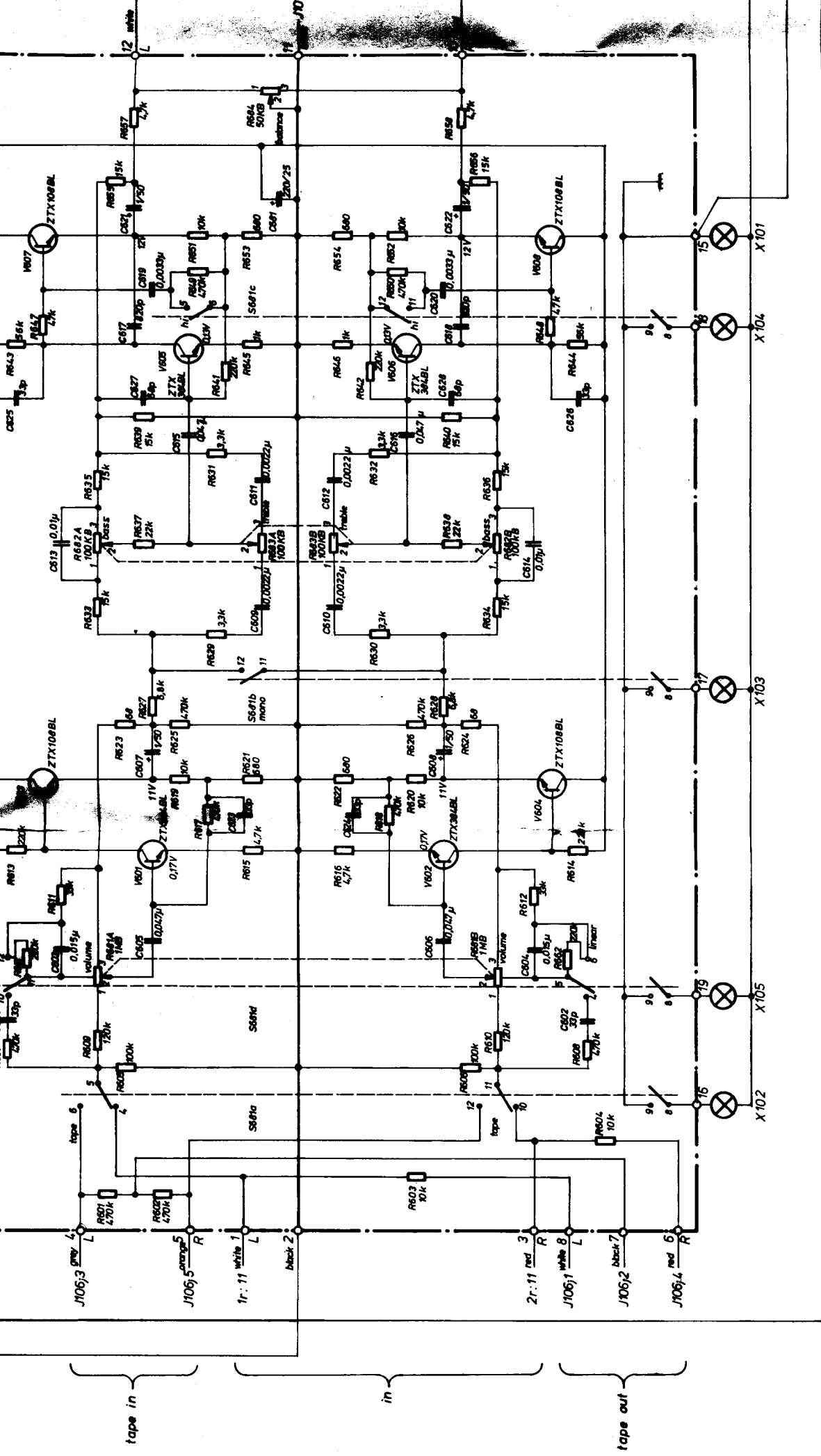
red
black
yellow

tone control
4.5mA

U600
U60011

J103
J104
J105
J106

ground

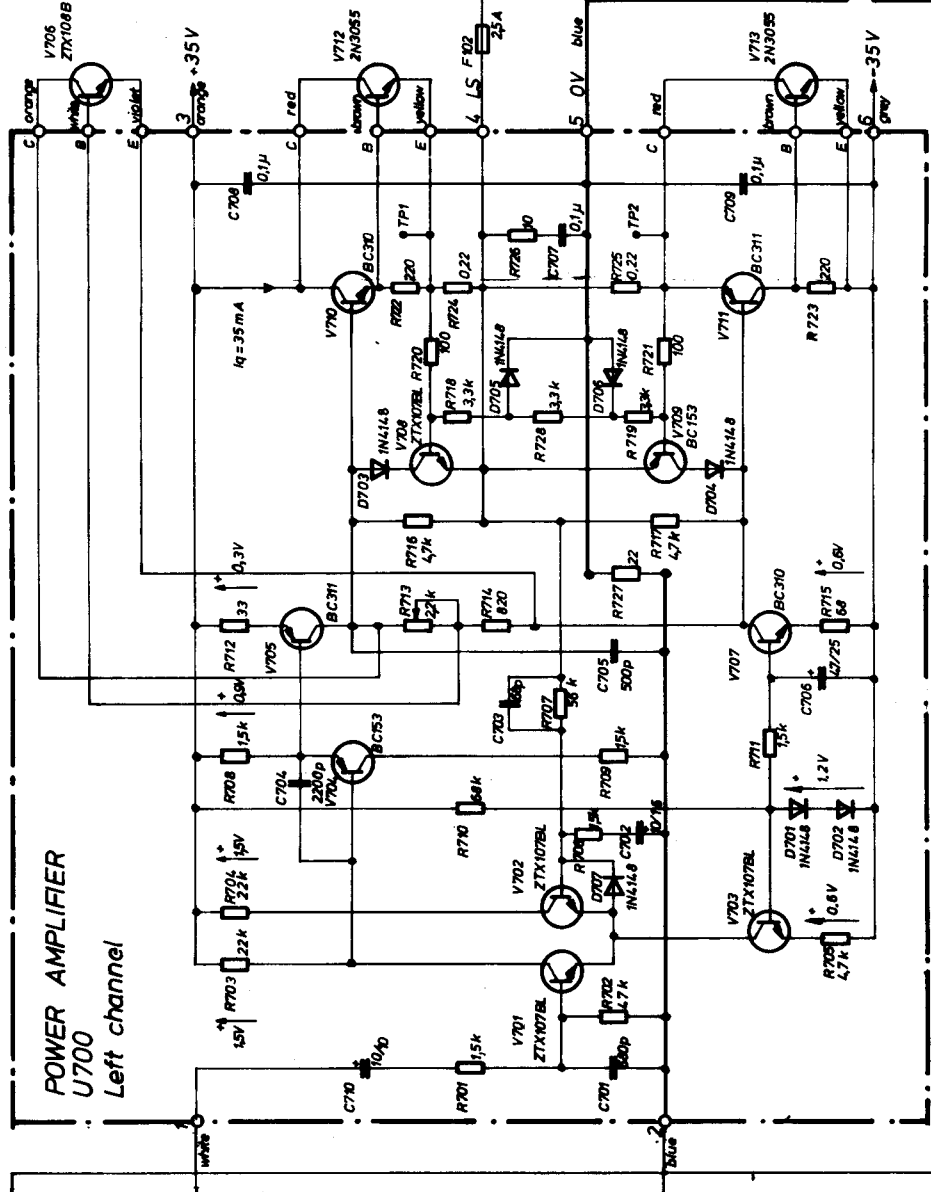


pre amp output
power amp input

monitor



POWER AMPLIFIER U700 Left channel



POWER AMPLIFIER U700 Right channel

