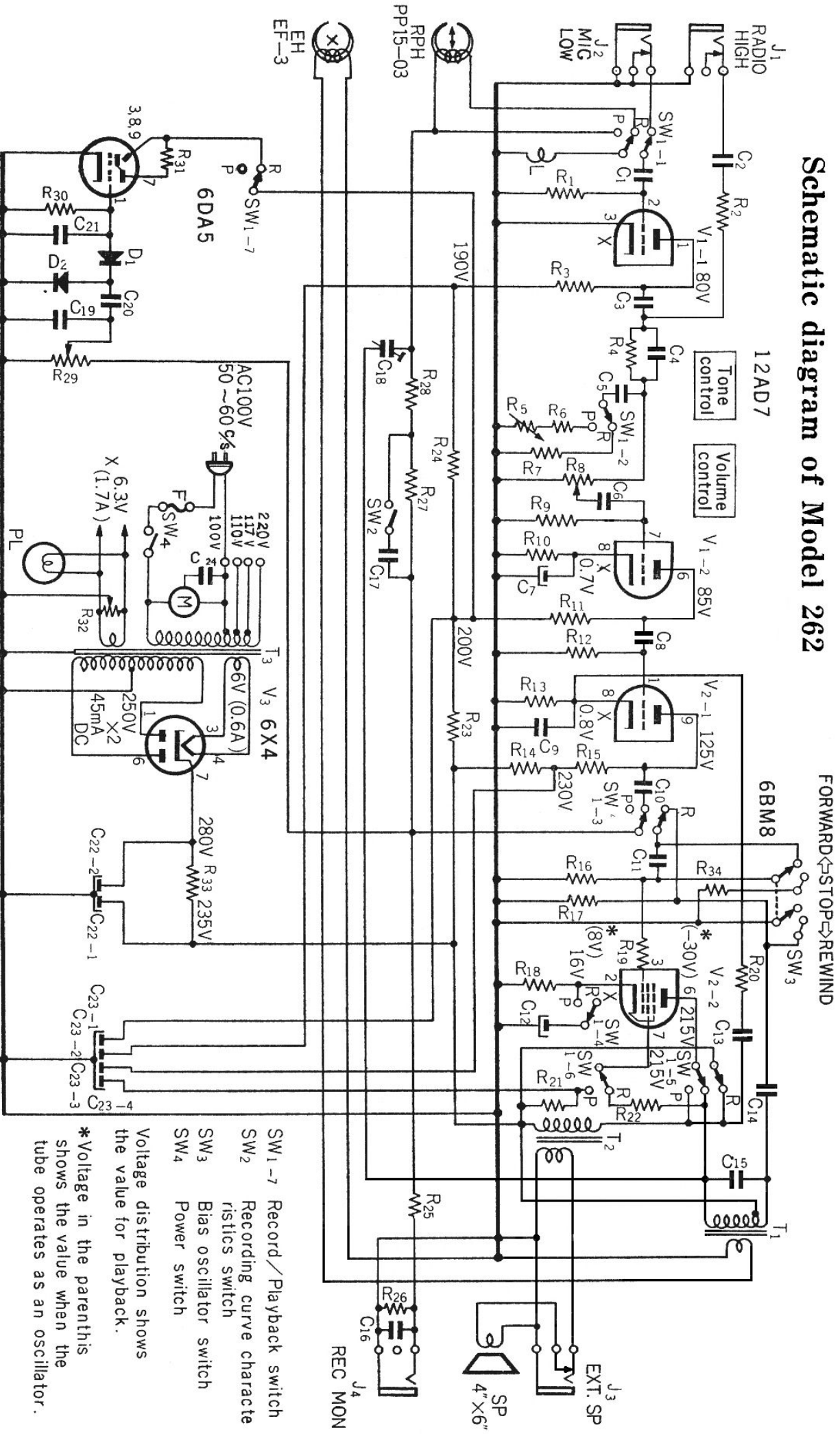


Schematic diagram of Model 262



- SW1-7 Record/Playback switch
 - SW2 Recording curve characteristics switch
 - SW3 Bias oscillator switch
 - SW4 Power switch
- Voltage distribution shows the value for playback.
- *Voltage in the parenthesis shows the value when the tube operates as an oscillator.

Parts list for Tape recorder Model 262 (Electronic section)

Symbol	Description	Quantity
D ₁	Diode	1T22G
D ₂	Diode	1T22G
L	Hum bucking coil	
R ₁	Carbon resistor	5MΩ 3/4W*
R ₂	"	100KΩ 1/4W
R ₃	"	250KΩ 3/4W
R ₄	"	100KΩ 1/4W
R ₅	Volume control	10KΩ A
R ₆	Carbon resistor	2KΩ 1/4W
R ₇	"	100KΩ "
R ₈	Volume control	500KΩ A
R ₉	Carbon resistor	1MΩ 1/4W
R ₁₀	"	1.5KΩ "
R ₁₁	"	250KΩ 3/4W*
R ₁₂	"	500KΩ 1/4W
R ₁₃	"	1.5KΩ "
R ₁₄	"	3KΩ "
R ₁₅	"	100KΩ 3/4W
R ₁₆	"	500KΩ 1/4W
R ₁₇	"	50KΩ "
R ₁₈	"	400Ω 2W
R ₁₉	"	3KΩ 1/4W

Symbol	Description	Quantity
T ₂	Output transformer	5KΩ: 8Ω
T ₃	Power transformer	6.3V 1.7A 6.3V 0.6A 250V × 2 45mA DC
SP	Speaker	4" × 6" Oval 8Ω
M	Motor	IC-124
F	Fuse	1A
PL	Pilot lamp	6-8V
SW ₁	Rec/PB switch	
SW ₂	Rec. curve charact. switch	
SW ₃	Oscillator switch	
SW ₄	Power switch	

Parts list for Tape recorder Model 262 (Electronic section)

Symbol			Description		
R ₂₀	Carbon resistor	330KΩ 1/2W	C ₈	Oil	0.05μF 400WV
R ₂₁	" "	2KΩ 3/4W	C ₉	"	0.02μF 600WV
R ₂₂	" "	100Ω 1/4W	C ₁₀	"	0.1μF 400WV
R ₂₃	" "	30KΩ 3/4W	C ₁₁	Mica	100PF 1KV DC
R ₂₄	" "	30KΩ 1/4W	C ₁₂	Electrolytic	25μF 25WV
R ₂₅	" "	500KΩ "	C ₁₃	Oil	0.03μF 400WV
R ₂₆	" "	100KΩ "	C ₁₄	"	0.001μF 600WV
R ₂₇	" "	100KΩ "	C ₁₅	"	0.0025μF "
R ₂₈	" "	50KΩ "	C ₁₆	Mica	200PF 1KV DC
R ₂₉	Semi fixed	500KΩ	C ₁₇	Oil	0.0015μF 600WV
R ₃₀	Carbon resistor	2MΩ 1/4W	C ₁₈	Trimmer	50 - 200PF
R ₃₁	" "	500KΩ 1/2W	C ₁₉	Oil	0.003μF 600WV
R ₃₂	Hum balancer	100Ω 3W	C ₂₀	MP tubler	0.3μF 250WV
R ₃₃	Wire wound	1KΩ 5W	C ₂₁	" "	0.3μF 250WV
R ₃₄	Carbon resistor	220KΩ 1/4W	C ₂₂₋₁	Electrolytic (block type)	40μF 350WV
C ₁	MP tubler	0.1μF 250WV	C ₂₂₋₂	" "	40μF "
C ₂	" "	0.05μF "	C ₂₃₋₁	" "	20μF "
C ₃	Oil	0.05μF "	C ₂₃₋₂	" "	10μF "
C ₄	Mica	300PF 1KV DC	C ₂₃₋₃	" "	2μF "
C ₅	Oil	0.02μF 600WV	C ₂₃₋₄	" "	2μF "
C ₆	"	0.01μF "	C ₂₄	MP for motor	2μF 250V AC
C ₇	Electrolytic	30μF 6WV	* Noiseless resistor		