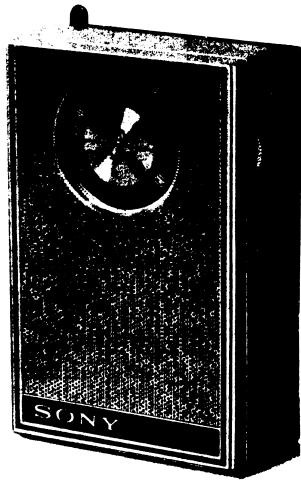


S22-1

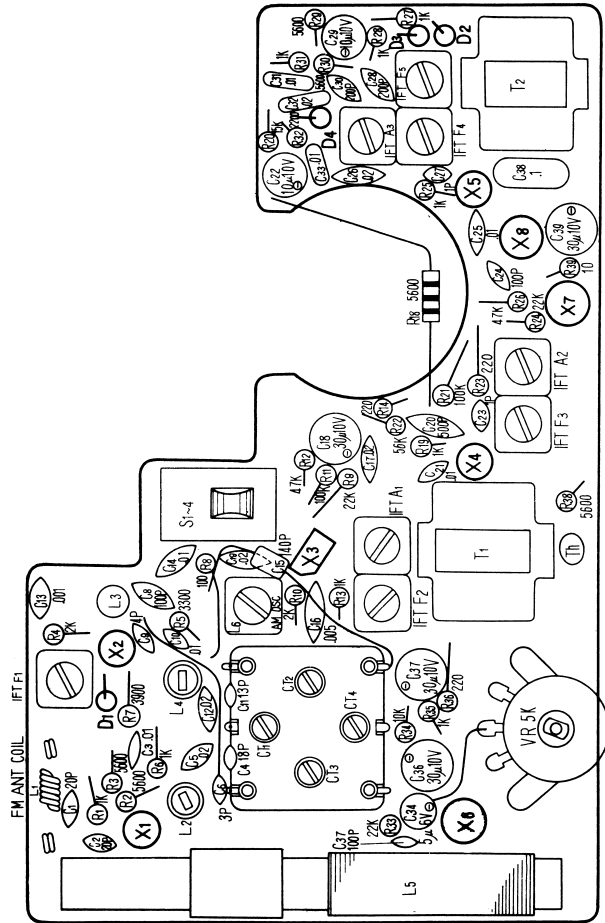
Sony 3F-66W



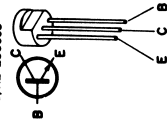
Specifications

- Circuit:** 8 Transistor Superheterodyne
- Frequency Coverage:** FM 86.5 - 108 Mc (3.47 - 2.78 m)
AM 530 - 1,605 Kc (556 - 187 m)
- Antenna System:** FM Built-in Telescopic Antenna
AM Built-in Ferrite Bar Antenna
- Intermediate Frequency:** FM 10.7 Mc
AM 455 Kc
- Maximum Sensitivity:** FM 4.5 μ V
(at 10 mW output) AM 56 μ V/m
- Selectivity:** 21 dB at 10 Kc off resonance, at 1,400 Kc
- Power Output:** 150 mW (undistorted)
250 mW (maximum)
- Current Drain:** 10.5 mA (AM), 14.0 mA (FM) at zero signal, 42 mA at 150 mW output
- Speaker:** 2 1/4" (57 mm) PM dynamic Speaker, 8 Ω
- Power Source:** Eveready 216 (JIS 006 P) or Equivalent (9 Volts)
- Dimensions:** 2 3/8" (W) x 4 1/2" (H) x 1 1/8" (D)
(72 x 112 x 35 mm)
- Weight:** 10 oz. (270 gs) with Battery

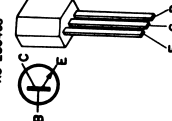
— Component Side —



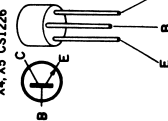
X1, X2 2SC468



X3 2SC403

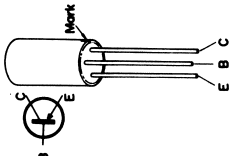


X4, X5 CS1226

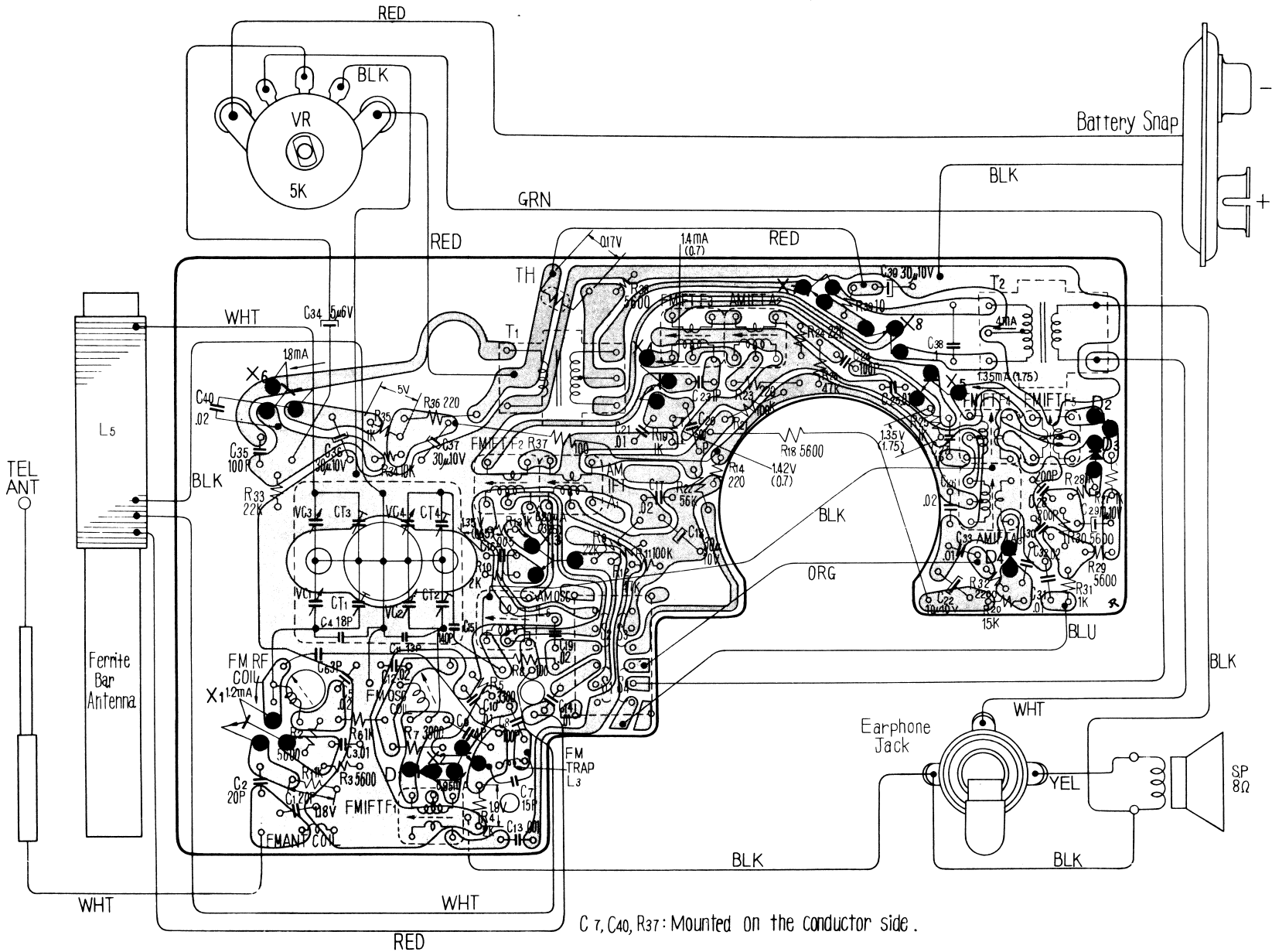


X6 2S8186

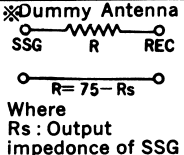
X7, X8 2S8187



— Conductor Side —



Frequency Coverage and Tracking adjustment

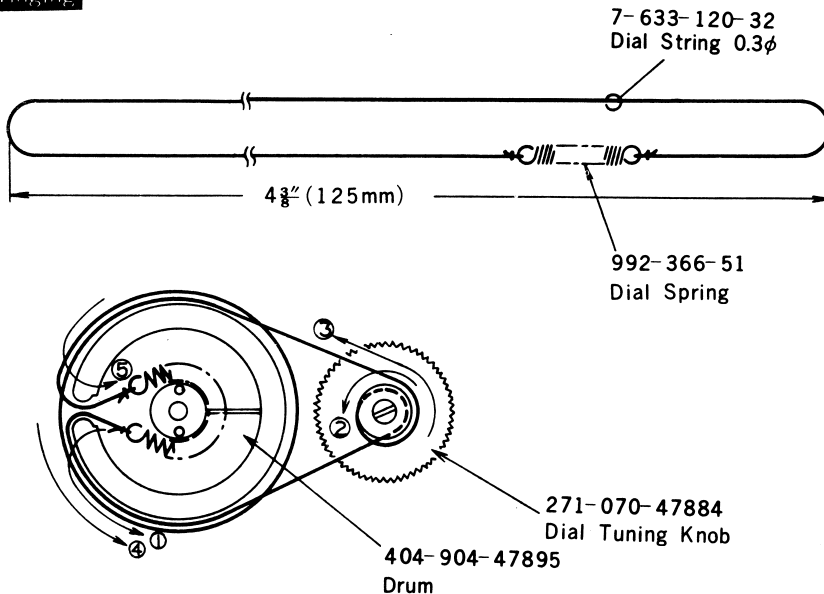
Adj. Item	S.S.G. (Standard Signal Generator) Coupling	S.S.G. Freq.	Receiver Dial Setting	Connect V.T.V.M.	Adjust	Remarks
FM Frequency Coverage	※Dummy Antenna  Where Rs : Output impedance of SSG	85.5 Mc (400 c/s, ±22.5Kc, FM)	Fully Counter-Clockwise	To Earphone Jack with 8Ω Load Resistor in Parallel.	FM OSC Coil (L ₄)	Adjust for maximum Meter reading Volume Control : Max. Power Supply : DC 9V
		109.5 Mc (")	Fully Clockwise		FM OSC Trimmer (CT ₂)	
FM Tracking	— ditto —	85.5 Mc (")	Tune to 85.5Mc Signal	— ditto —	FM RF Coil (L ₂)	— ditto —
		109.5 Mc (")	Tune to 109.5Mc Signal		FM RF Trimmer (CT ₁)	
AM Frequency Coverage	Loop Antenna	520 Kc (1000c/s 30% AM)	Fully Counter-Clockwise	— ditto —	AM OSC Coil (L ₆)	— ditto —
		1,680 Kc (")	Fully Clockwise		AM OSC Trimmer (CT ₄)	
AM Tracking	— ditto —	620 Kc (")	Tune to 620 Kc Signal	— ditto —	AM ANT Coil (L ₅)	— ditto —
		1,400 Kc (")	Tune to 1,400Kc Signal		AM ANT Trimmer (CT ₃)	

※ Dummy Antenna (FM)

Unsolder the White Lead at the Telescopic Antenna Terminal.

Connect the SSG to the White Lead and ground of the receiver through the Dummy Antenna.

Dial Cord Stringing



Tuning Drum set at fully counter-clockwise position.

X₁ 2SC668

X₂ 2SC668

X₃ 2SC403

X₄ CS1226

X₅ CS1226

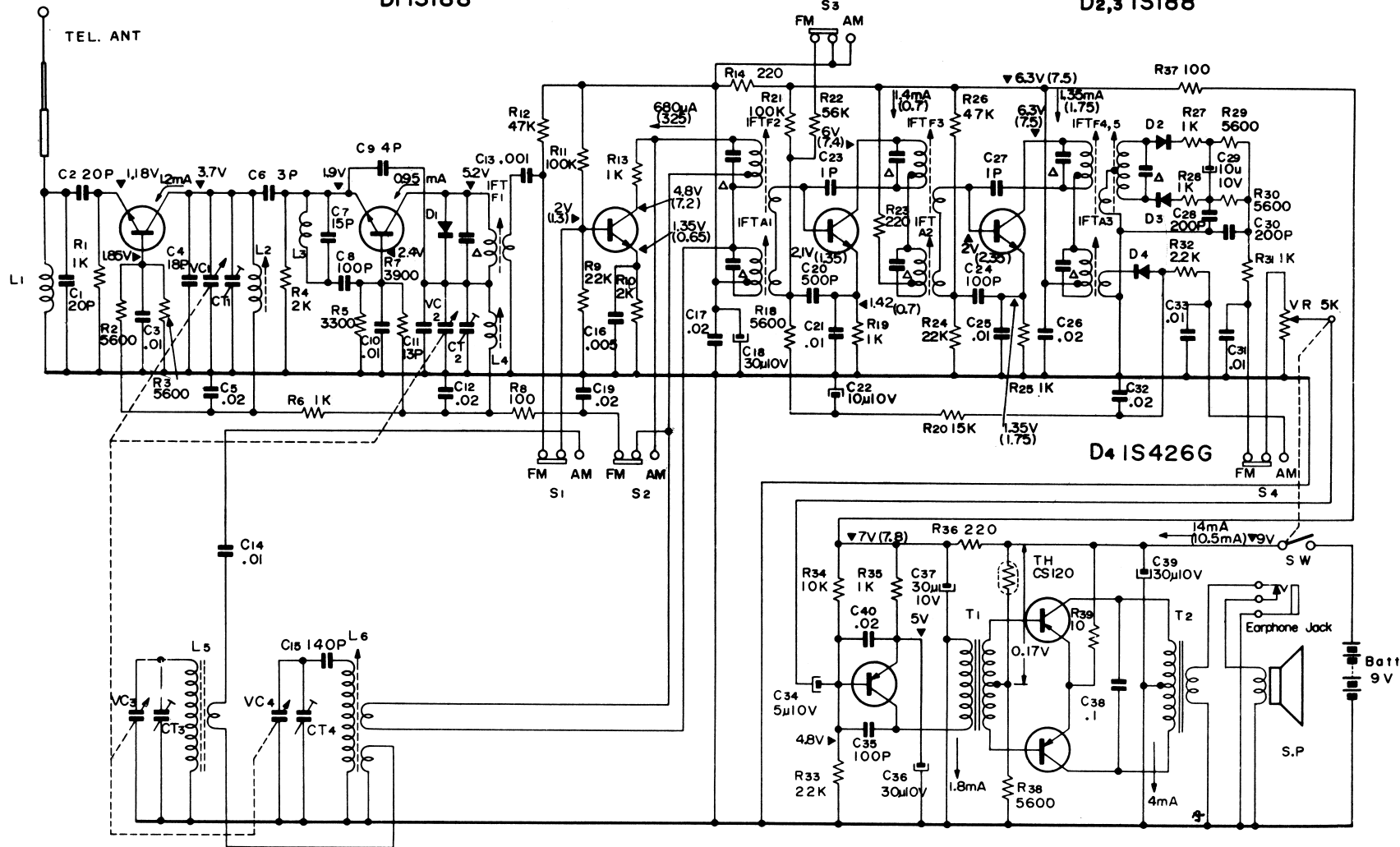
D₁ 1S188

D_{2,3} 1S188

D₄ 1S426G

X₆ 2SB186

X_{7,8} 2SB187



Δ Built in IFT

Value in the Parentheses are for "AM"

S₁~S₄: Band Switch

SW : Power Switch