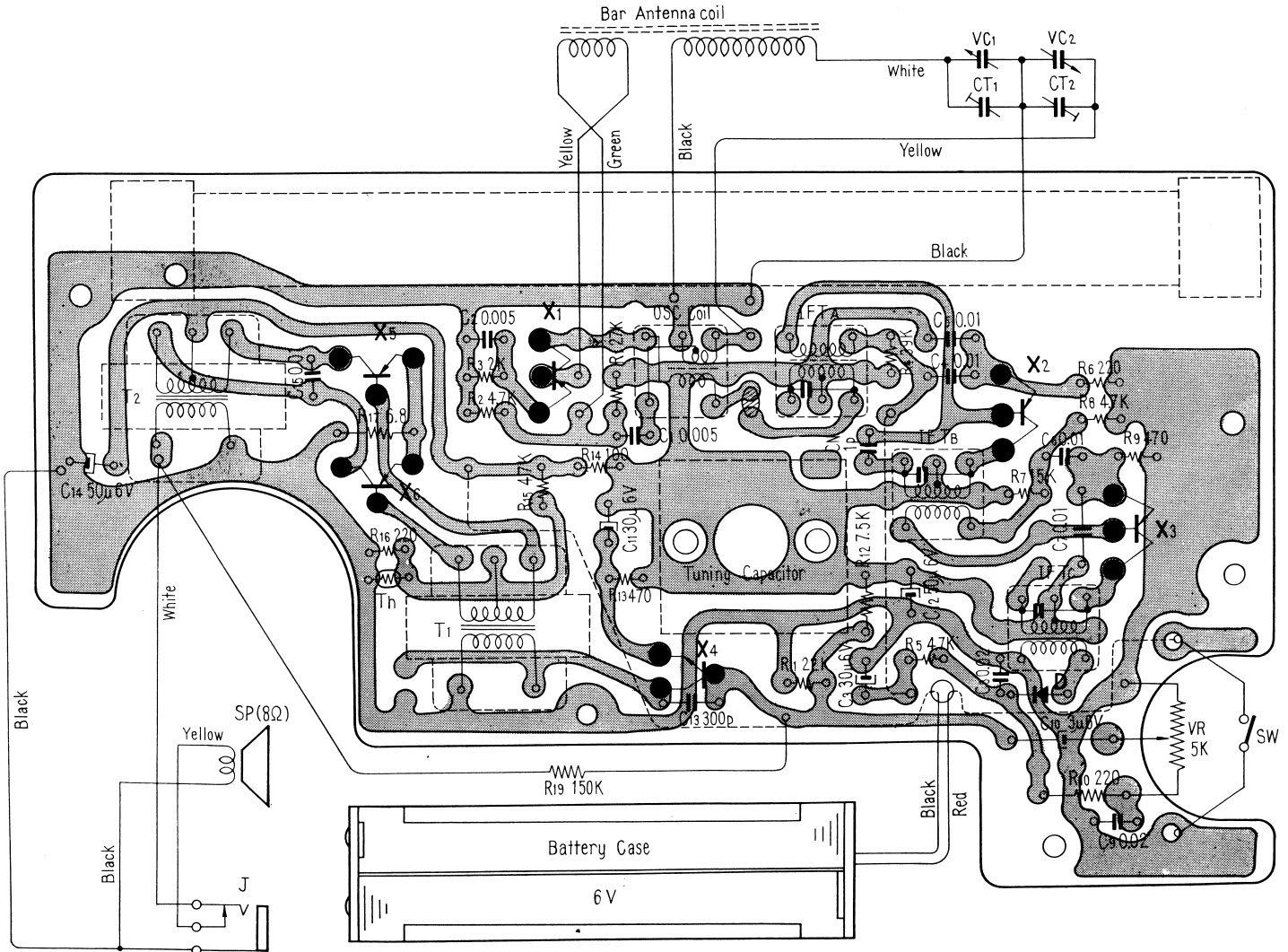
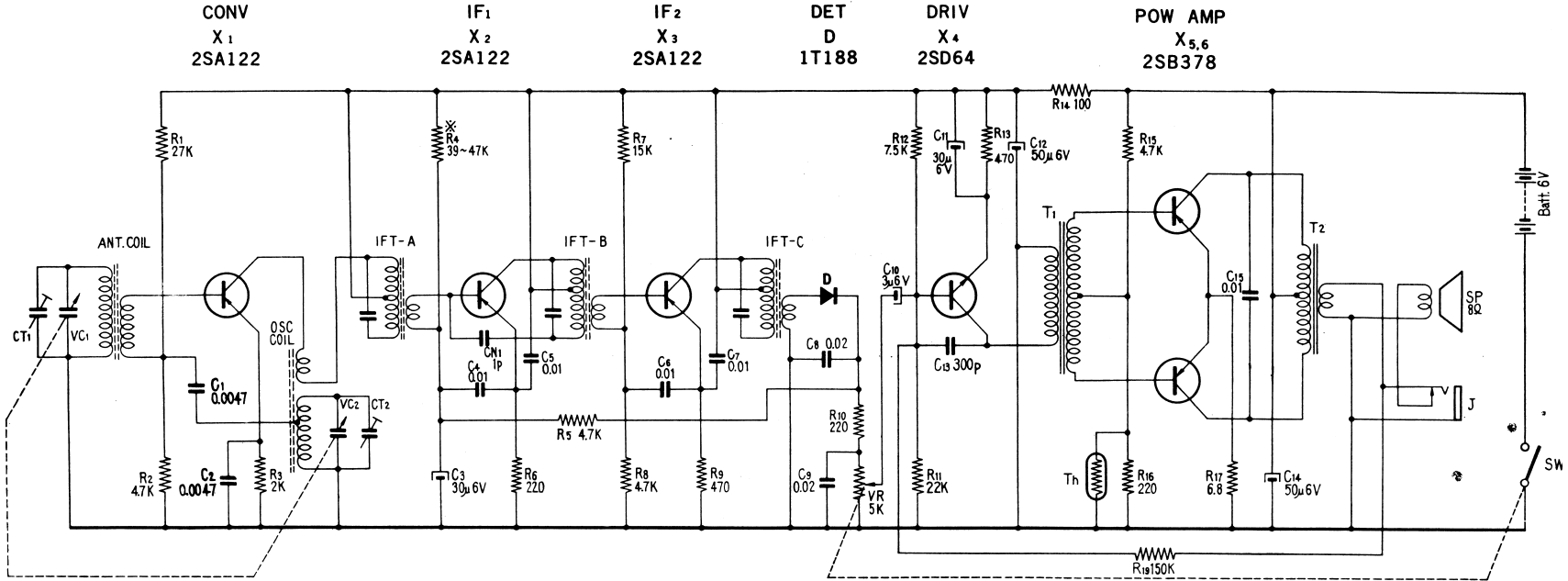


SONY 4R-51

S5a



Schematic Diagram



Voltage and Current Distribution Chart at Zero Signal

