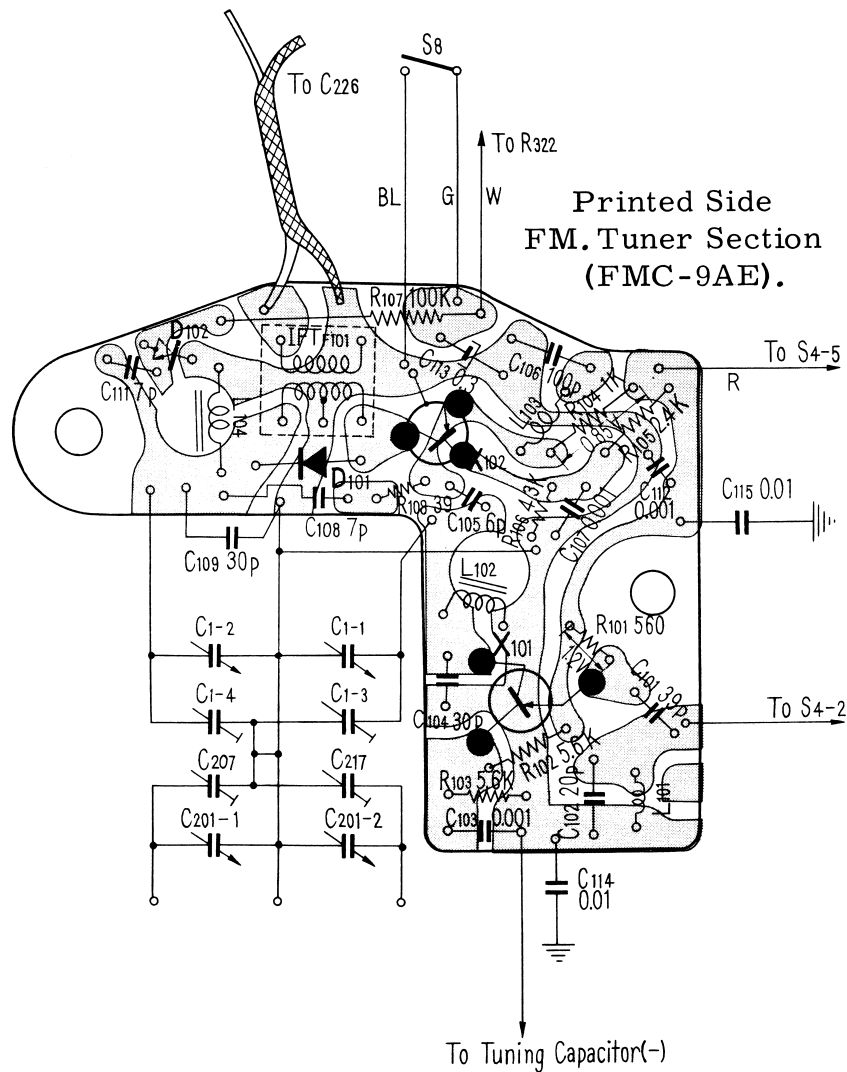
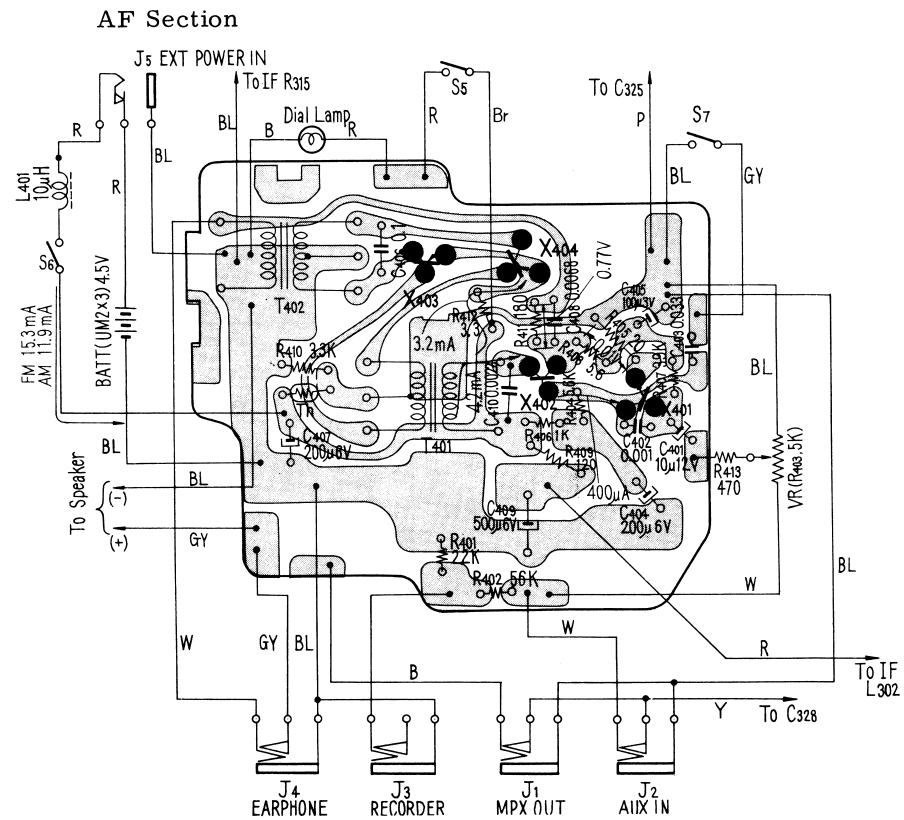


Printed Side FM. Tuner Section (FMC-9AE).

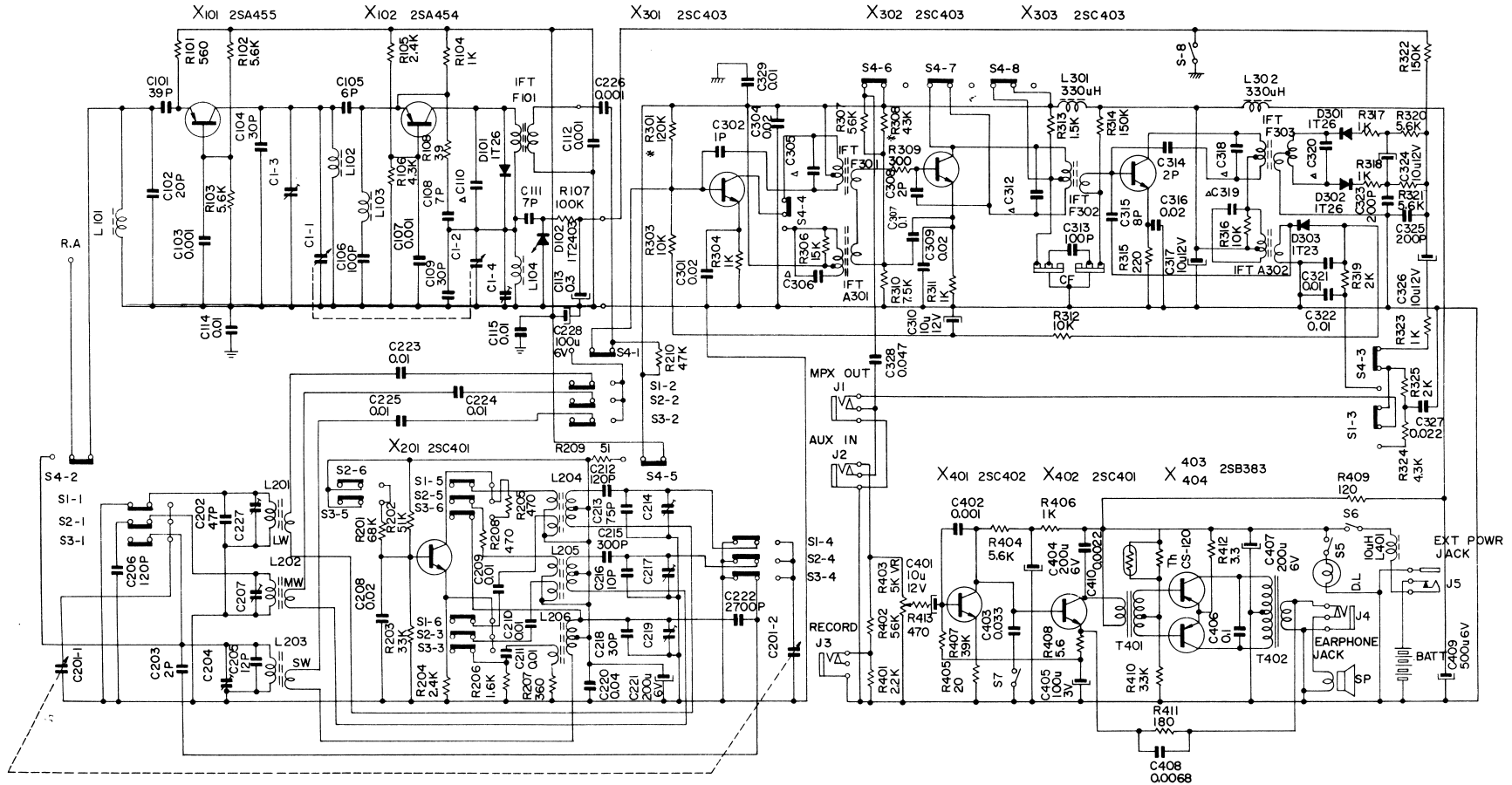


—Printed Side—



Circuit Schematic

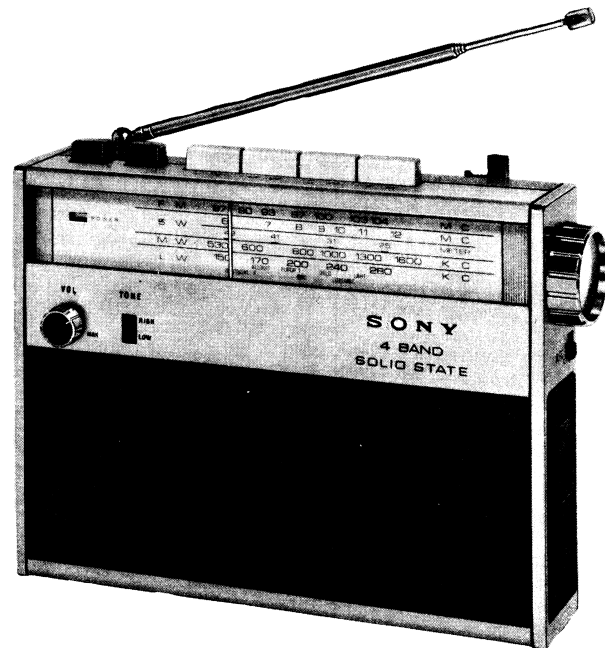
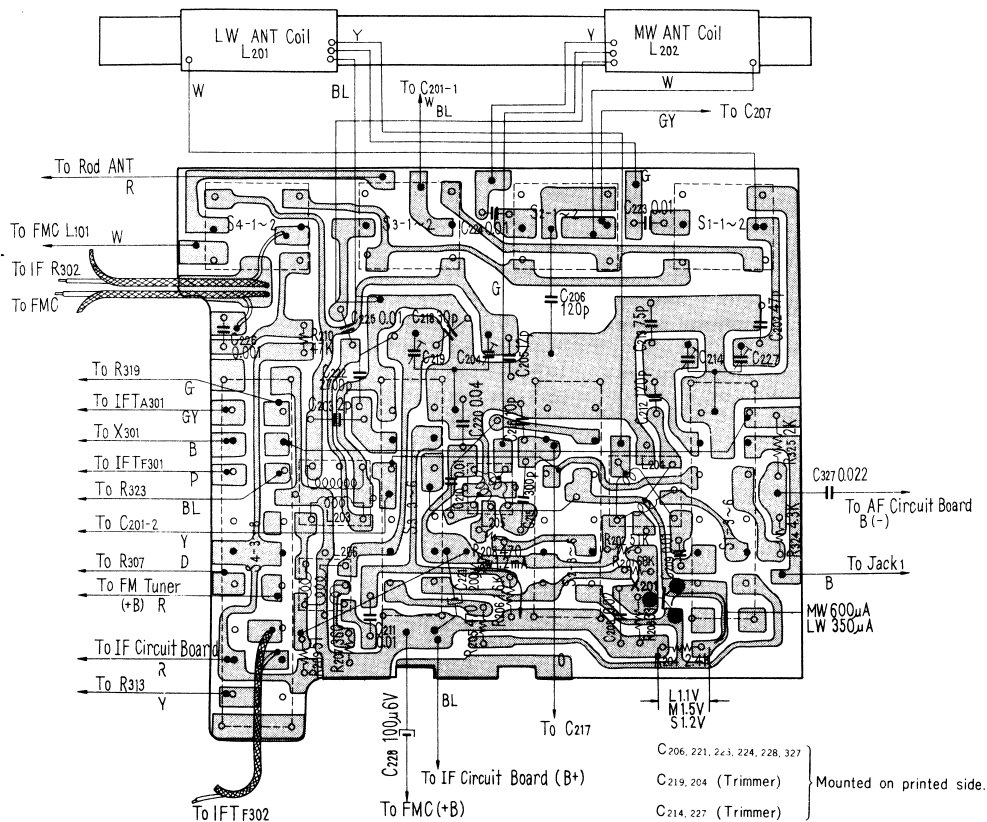
SONY 5F-94L



* To be Adjusted.

Capacitors marked with "Δ" are built in relative IF Transformers.

AM Tuner Section. —Printed Side— Sony 5F-94L

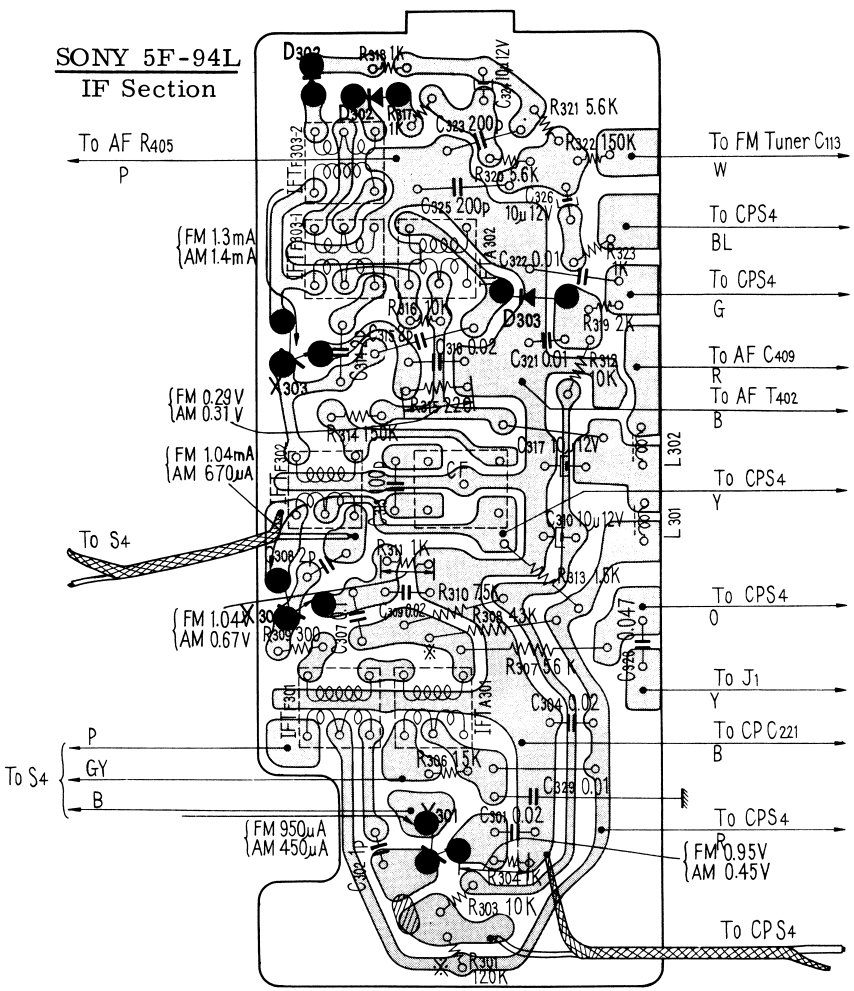


Mounting Diagram

IF Section

— Printed Side —

SONY 5F-94L
IF Section



※ To be Adjusted
C 307 Mounted on printed side.

Specifications

- Circuit:** 10 Transistor Superheterodyne
- Frequency Coverage:** FM 87~104 Mc (3.44~2.89 m)
SW 5.9~12 Mc (50.8~25 m)
MW 530~1,605 Kc (566~187 m)
LW 150~285 Kc (2,000~1,053 m)
- Intermediate Frequency:** FM 10.7 Mc AM 455 Kc
- Antenna System:** FM and SW Built-in Telescopic Antenna
MW and LW Built-in Ferrite Bar Antenna
- Maximum Sensitivity:** (at 10 mW output)
FM 1.8 μ V
SW 4 μ V
MW 70 μ V/m
LW 130 μ V/m
- Selectivity:** 30 dB at 10 Kc off resonance, at 1,400 Kc
- Output Power:** 320 mW (undistorted)
500 mW (maximum)
- Current Drain:** 17 mA (FM) 13 mA (AM) 130 mA at 320 mW output
- Speaker:** 6.5 \times 10 cm (2-1/2 \times 4") PM dynamic, 8 Ω
- Power Source:** Three "C" Size Flashlight Batteries 4.5V in total
- Dimensions:** 139 (H) \times 181 (W) \times 53 (D) mm
(5-1/2 \times 7-1/8 \times 2-1/8")
- Weight:** 0.95 kg. (2.2 lbs.)