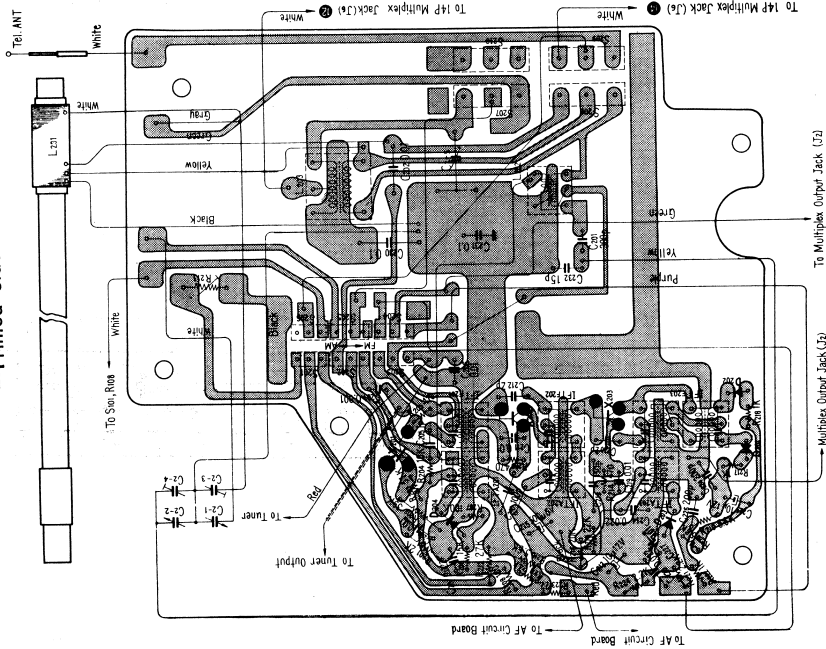


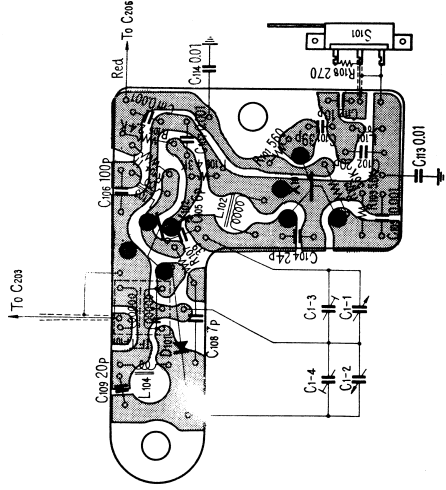


— Printed Side —



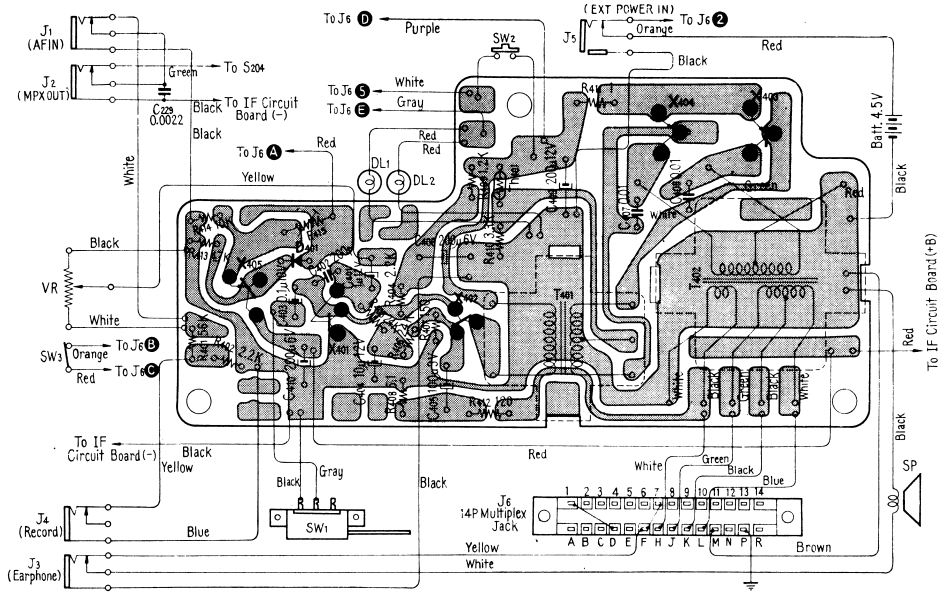
**Mounting Diagram**

Tuner Section  
— Printed Side —



**Mounting Diagram**

AF Section  
— Printed Side —



**Voltage and Current Distribution Chart at Zero Signal**

