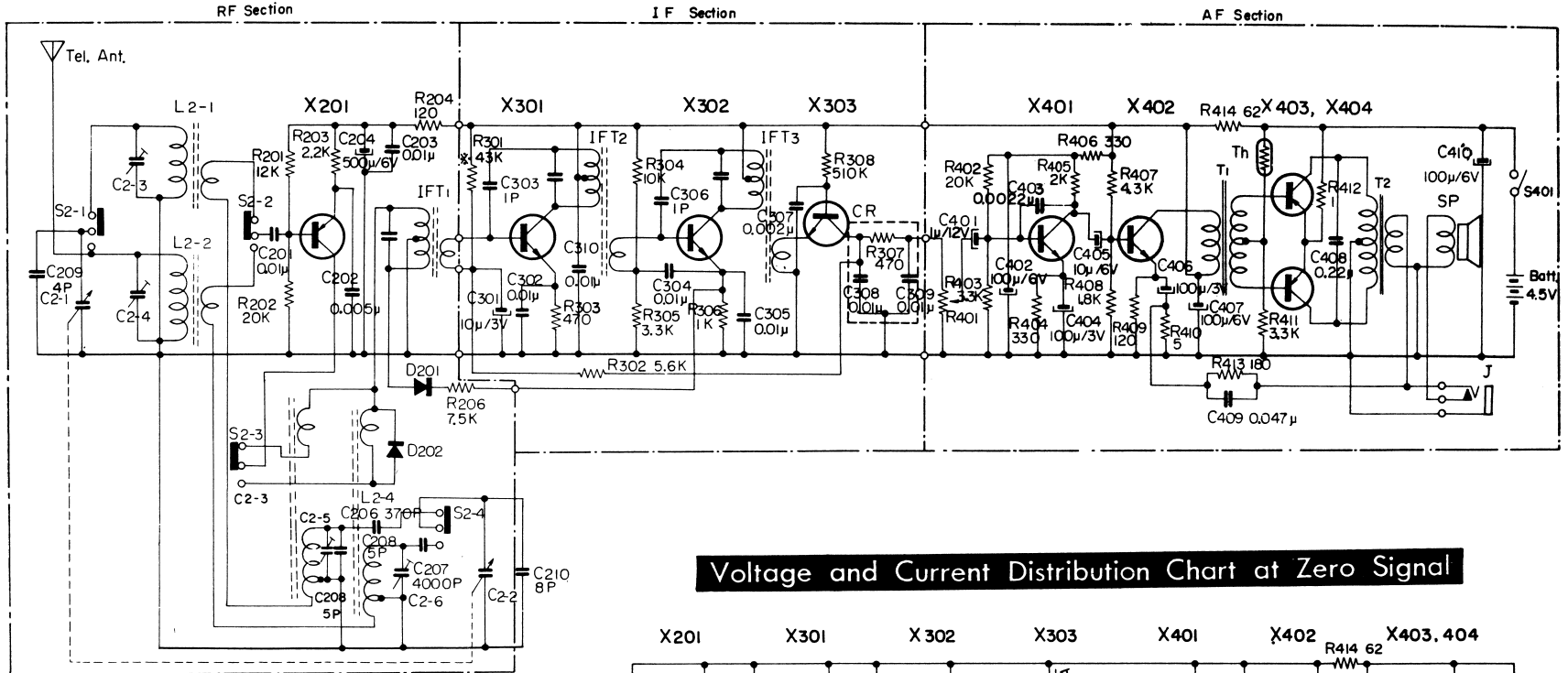
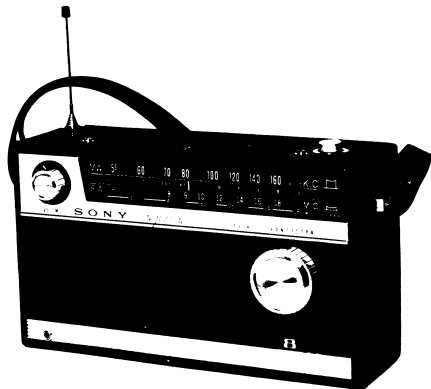


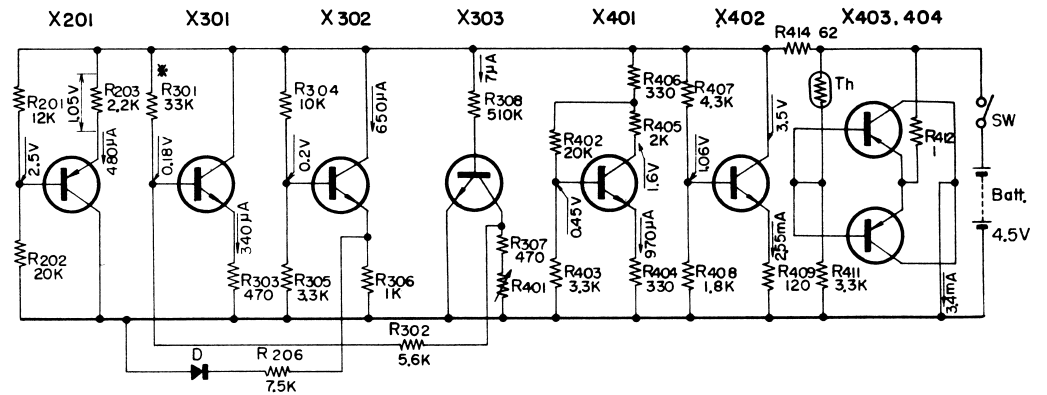
Schematic Diagram



\* To be adjusted



Voltage and Current Distribution Chart at Zero Signal



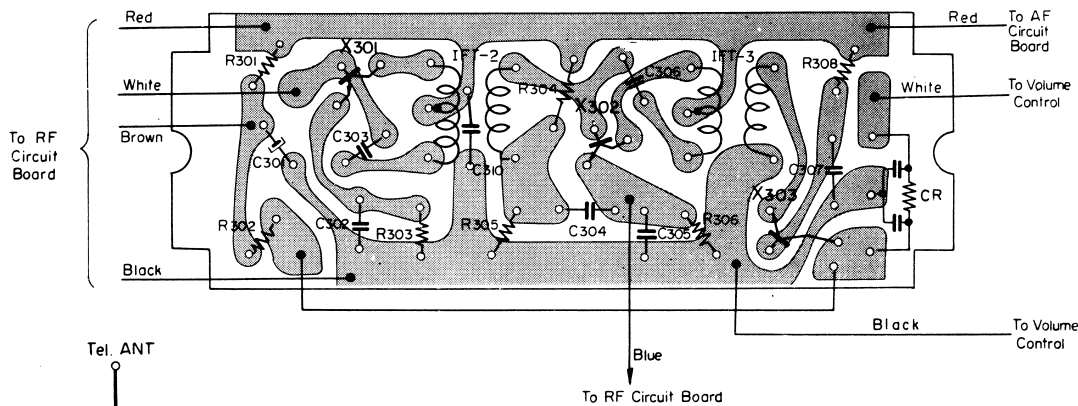
\* To be adjusted

S7a

SONY 7R-71Y

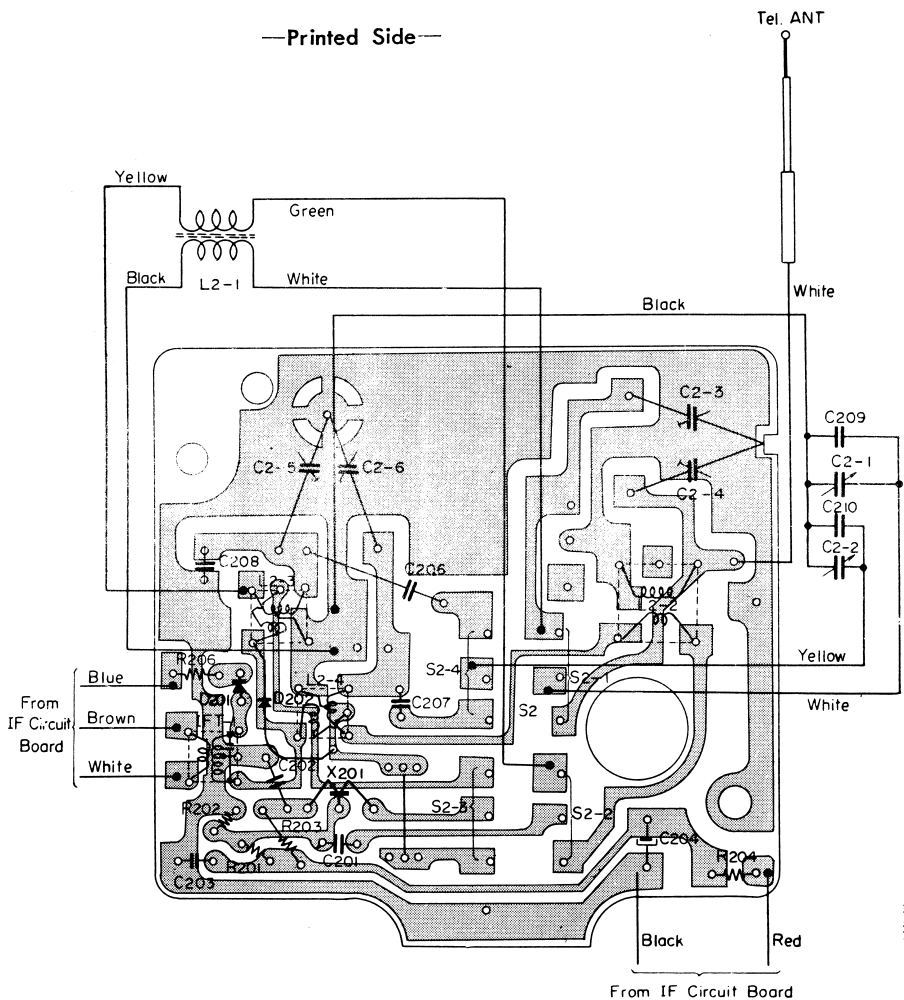
**Mounting Diagram**  
IF Circuit Board

—Printed Side—



**Mounting Diagram**  
RF Circuit Board

—Printed Side—



**AF Circuit Board**

