

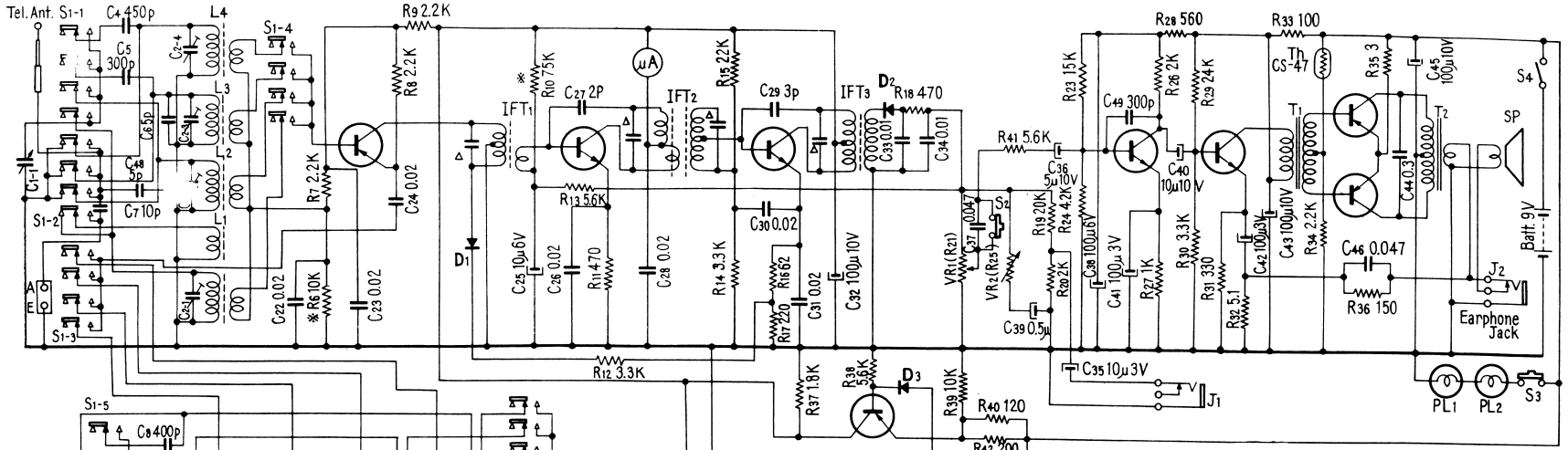


SONY 7R-72

S7b

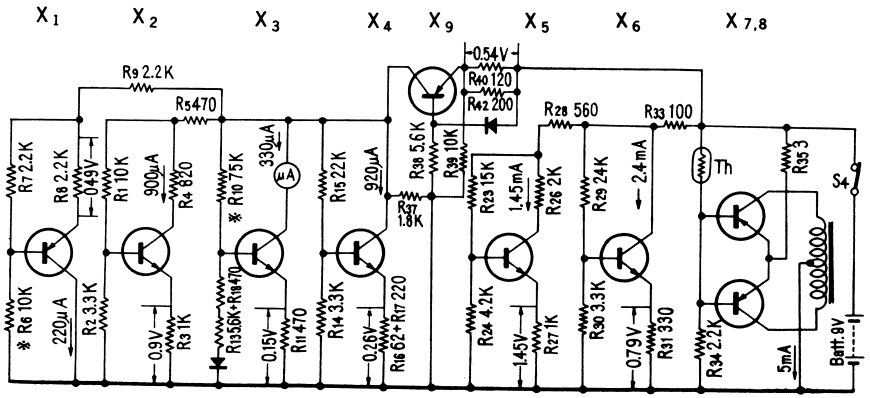
Schematic Diagram

X1 2SA70 D1 1T23 X3 2SC76 X4 2SC76 D2 1T23 X5 2SD64 X6 2SD65 X7,8 2SB382



X9 2SB382 D3 1T23

Voltage and Current Distribution Chart at Zero Signal



* To be adjusted
Capacitors marked with Δ are built in relative IF Transformers.

