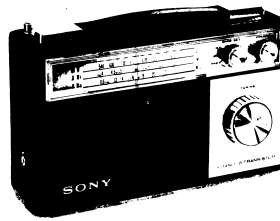
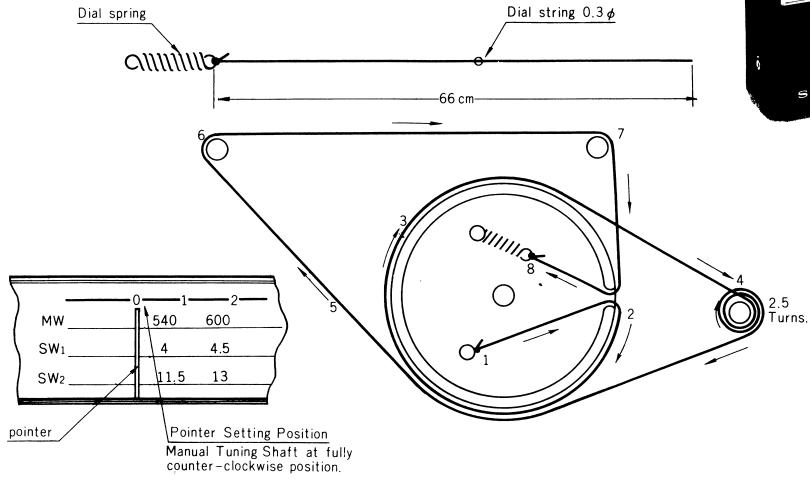


S10-1

SONY MODEL 7R-76



Dial Cord Stringing



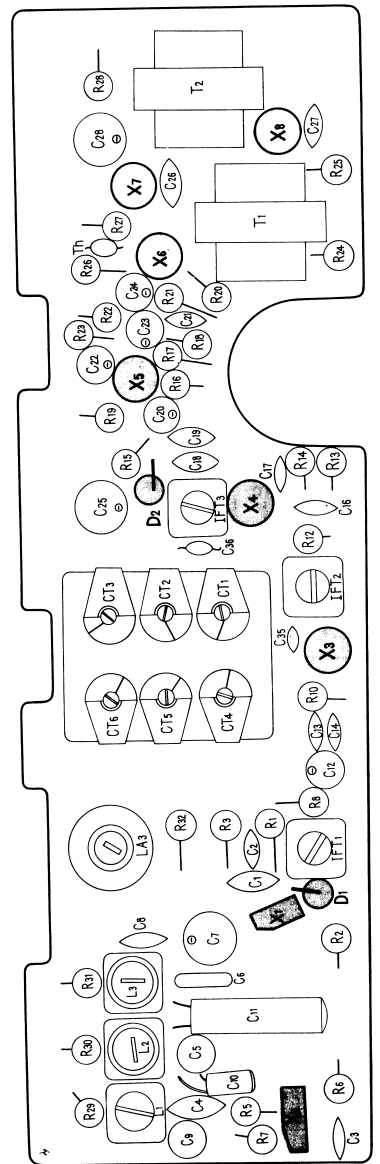
Frequency Coverage and Tracking Adjustment

| Adj. Item | SSG (Standard Signal Generator) Coupling | SSG. Freq. | Receiver Dial Setting | Connect VTVM | Adjust | Remarks |
|------------------------------------|--|------------------------------|------------------------|---------------------------------|--|--|
| MW Frequency Coverage | Loop Antenna | 520 kc (1000 c/s 30% AM MOD) | Fully Left | Across 8 Ω Load Resistor | MW OSC Coil (L ₁) | Adjust for maximum deflection, meter reading Volume Control: MAX Power Supply: DC 6V |
| | | 1680 kc (") | Fully Right | | MW OSC Trimmer (C ₇₁) | |
| MW Tracking | —ditto— | 620 kc (") | Tune to 620 kc signal | —ditto— | MW ANT Coil (L _{A1}) | —ditto— |
| | | 1400 kc (") | Tune to 1400kc signal | | MW ANT Trimmer (C ₇₁) | |
| SW ₁ Frequency Coverage | —ditto— | 3.8 Mc (") | Fully Left | —ditto— | SW ₁ OSC Coil (L ₂) | —ditto— |
| | | 12.3 Mc (") | Fully Right | | SW ₁ OSC Trimmer (C ₇₃) | |
| SW ₁ Tracking | —ditto— | 3.8 Mc (") | Tune to 3.8 Mc signal | —ditto— | SW ₁ ANT Coil (L _{A2}) | —ditto— |
| | | 12.3 Mc (") | Tune to 12.3 Mc signal | | SW ₁ ANT Trimmer (C ₇₃) | |
| SW ₂ Frequency Coverage | | 11.0 Mc (") | Fully Left | —ditto— | SW ₂ OSC Coil (L ₃) | —ditto— |
| | | 23.0 Mc (") | Fully Right | | SW ₂ OSC Trimmer (C ₇₄) | |
| SW ₂ Tracking | —ditto— | 11.0 Mc (") | Tune to 11.0 Mc signal | —ditto— | SW ₂ ANT Coil (L _{A3}) | —ditto— |
| | | 23.0 Mc (") | Tune to 23.0 Mc signal | | SW ₂ ANT Trimmer (C ₇₄) | |

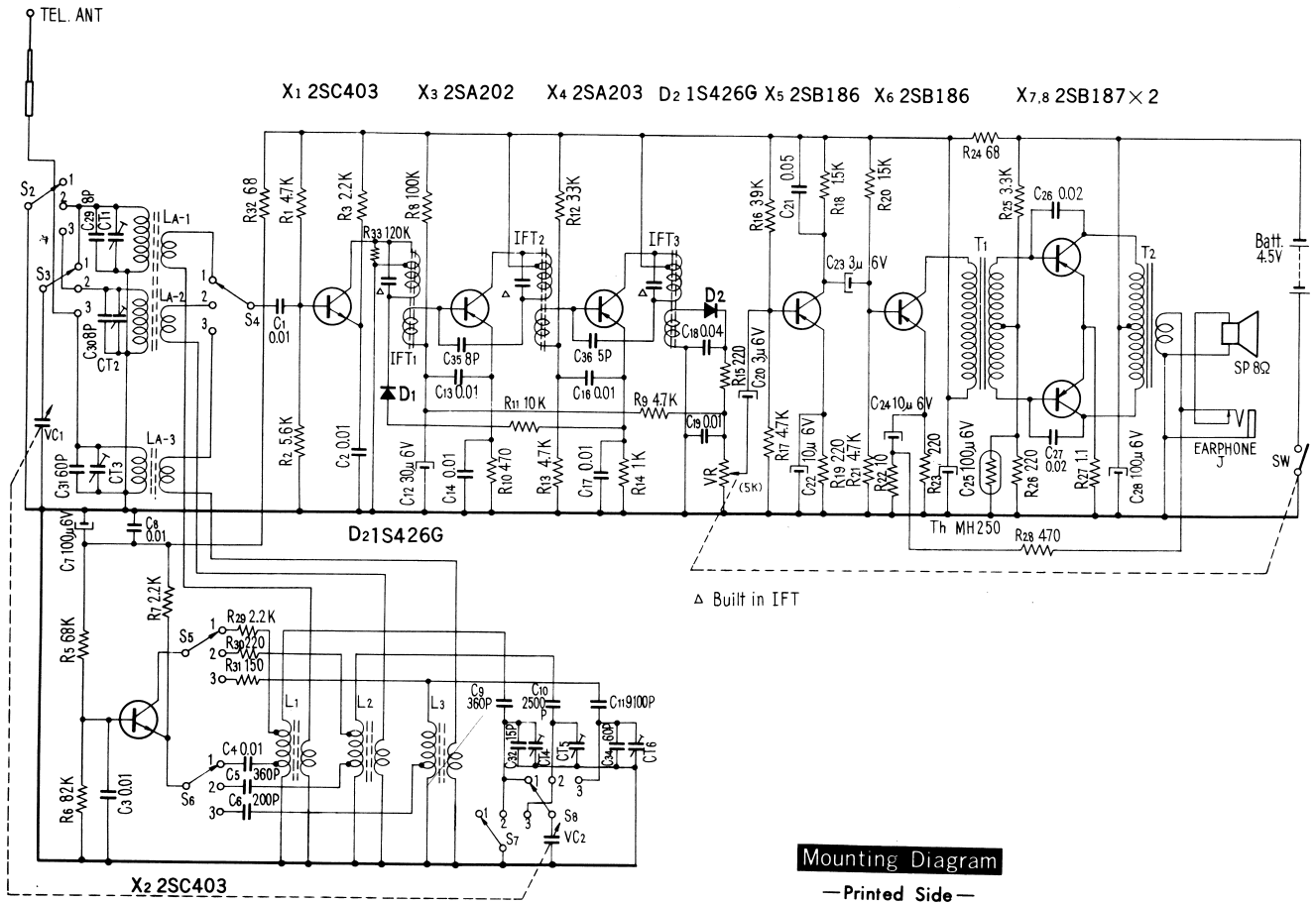
⚡ Dummy Antenna (SW₂)
 Unsolder the white lead at the Telescopic Antenna Terminal.
 Connect the SSG to the white lead and ground of the receiver through the Dummy Antenna.

Mounting Diagram

—Parts Side—



Circuit Schematic



Mounting Diagram

— Printed Side —

