

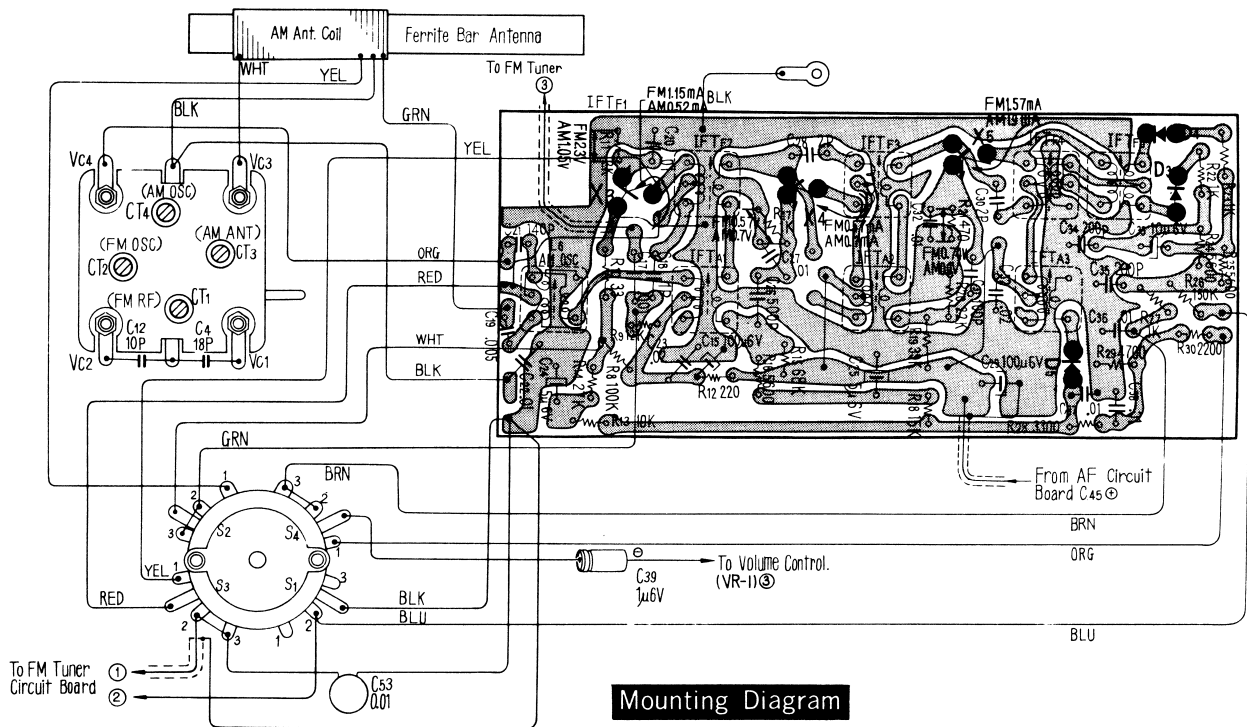
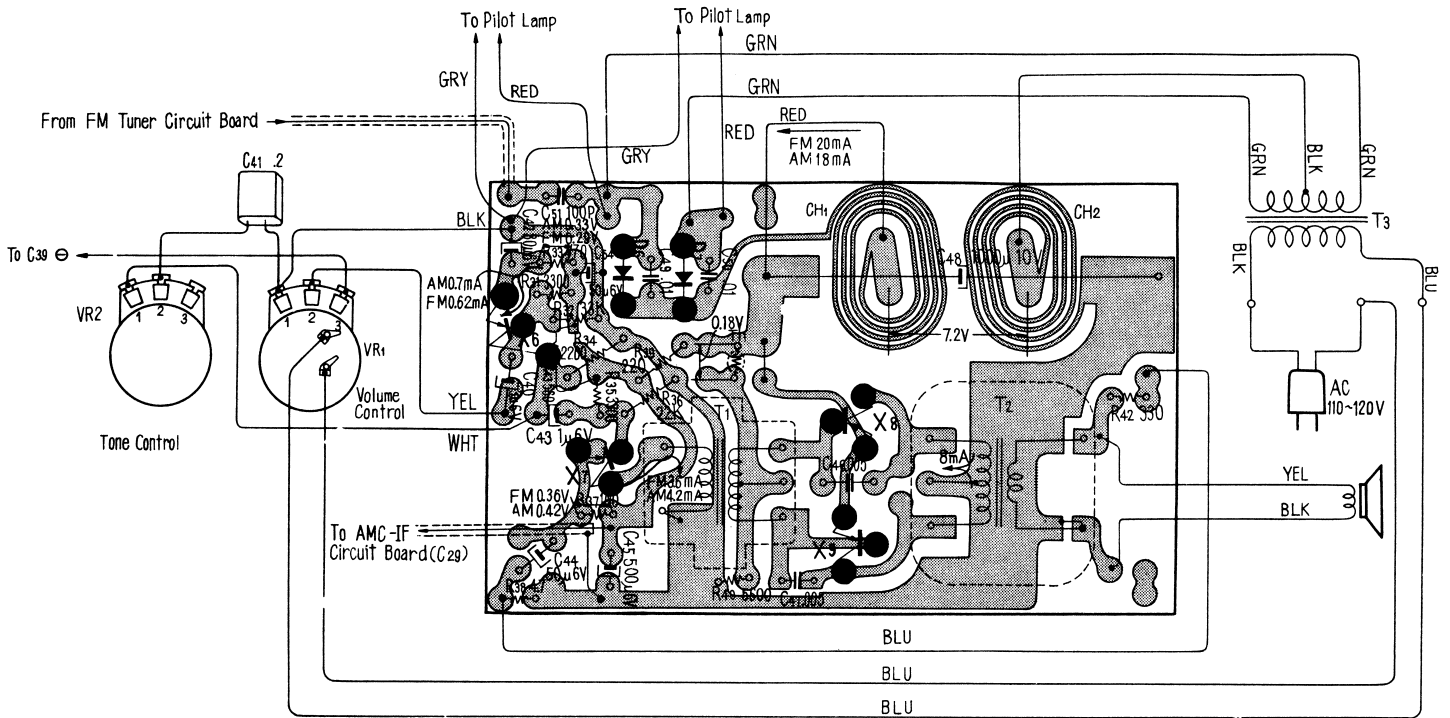
Mounting Diagram

Sony 8F-56W

S42-1

AF Block

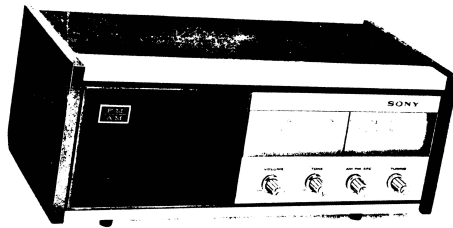
— Conductor Side —



Mounting Diagram

AMC-IF Block

— Conductor Side —



Sony 8F-56W

S42-1

(FM RF Amp)
X1 2SC668 or
2SC629

(FM Conv)
X2 2SC668 or
2SC629

(AM Conv)
(FM IF Amp 1)
X3 CS1226 or
2SC403A

(AM IF Amp 1)
(FM IF Amp 2)
X4 CS1226 or
2SC403A

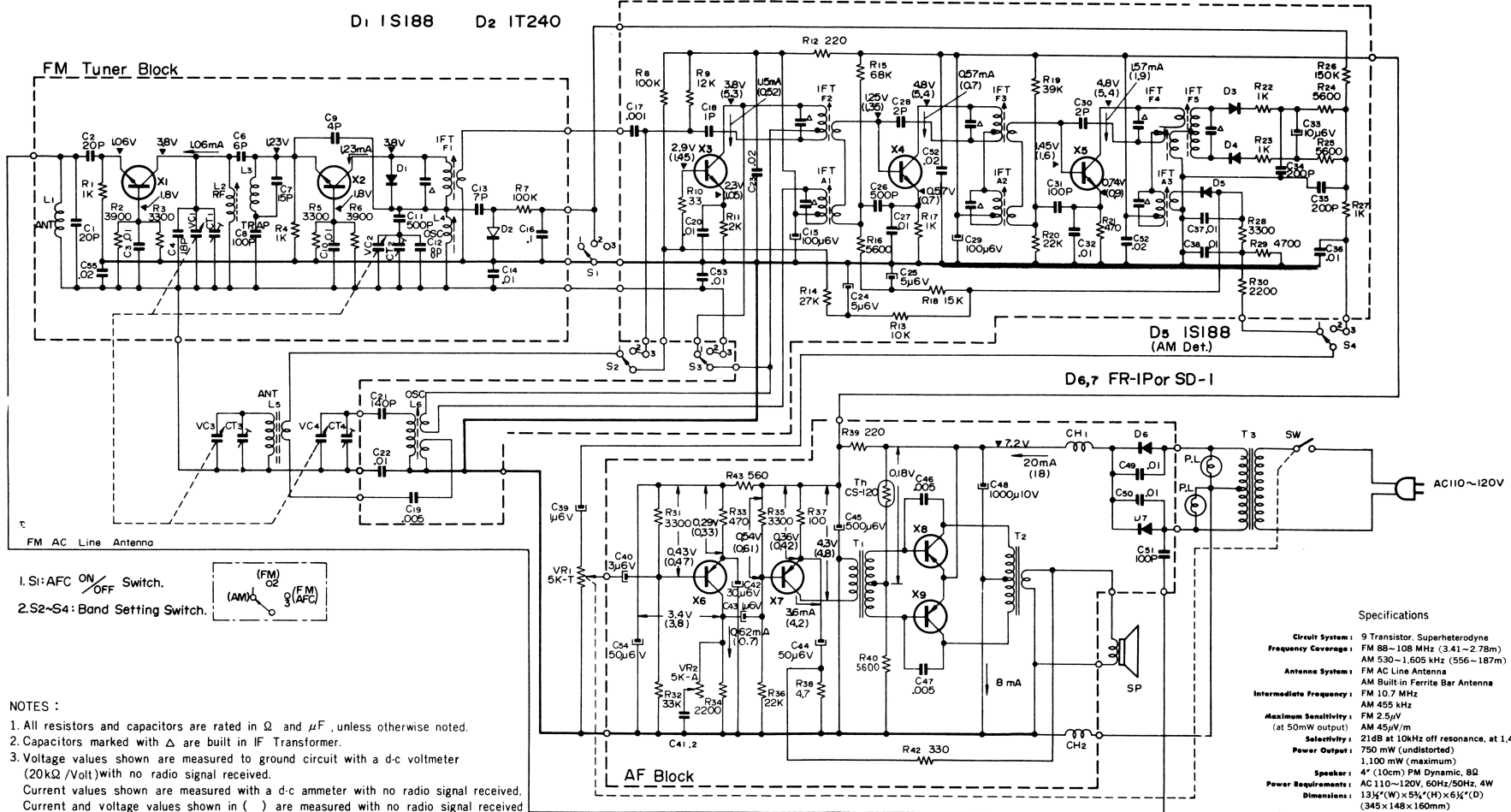
(AM IF Amp 2)
(FM IF Amp 3)
X5 CS1226 or
2SC403A

(FM Ratio Det.)
D3,4 1S188

D1 1S188 D2 1T240

AMC-IF Block

FM Tuner Block



1. S1: AFC ON/OFF Switch.

2. S2-S4: Band Setting Switch.

NOTES :

1. All resistors and capacitors are rated in Ω and μF , unless otherwise noted.
2. Capacitors marked with Δ are built in IF Transformer.

3. Voltage values shown are measured to ground circuit with a d-c voltmeter (20k Ω /Volt) with no radio signal received.

Current values shown are measured with a d-c ammeter with no radio signal received. Current and voltage values shown in () are measured with no radio signal received and with band selector set to AM.

Variations may be noted due to normal production tolerances.

(AF Amp 1)
X6 2S1B86

(AF Amp 2)
X7 2S1B86

(Power Amp)
X8,9 2SB22

D5 1S188
(AM Det.)

D6,7 FR-IPor SD-1

Specifications

Circuit System: 9 Transistor, Superheterodyne
Frequency Coverage: FM 88~108 MHz (3.41~2.78m)
AM 530~1,605 kHz (556~187m)
Antenna System: FM AC Line Antenna
AM Built-in Ferrite Bar Antenna
Intermediate Frequency: FM 10.7 MHz
AM 455 kHz
Maximum Sensitivity: FM 2.5 μV
(at 50mW output) AM 45 $\mu V/m$
Selectivity: 21dB at 10kHz off resonance, at 1.400kHz
Power Output: 750 mW (undistorted)
1,100 mW (maximum)
Speaker: 4" (10cm) FM Dynamic, 8 Ω
Power Requirements: AC 110~120V, 60Hz/50Hz, 4W
Dimensions: 133 \times (W) \times 55 \times (H) \times 63 \times (D)
(345 \times 148 \times 160mm)