

Q1 2SC537D2
or 2SC403A4
(CONV)

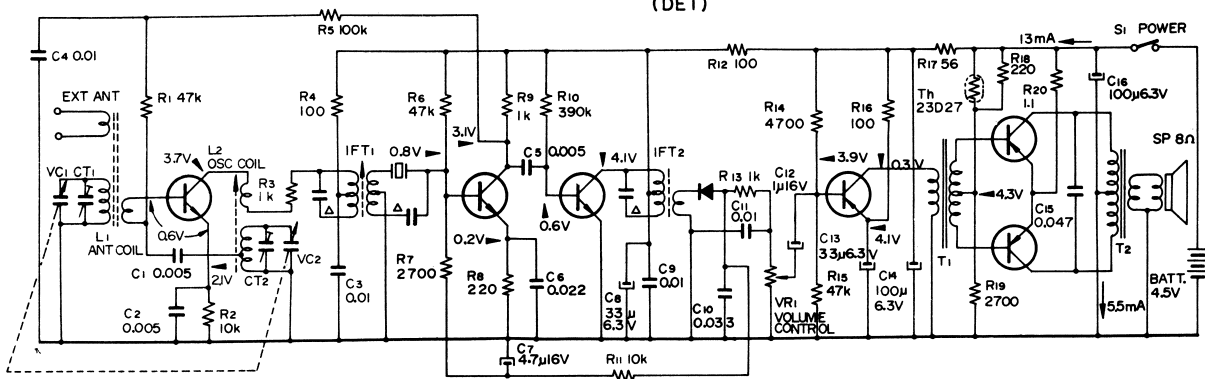
Q2 2SC537 D2
or 2SC403A4
(IF AMP1)

Q3 2SC537 E1
or 2SC403A5
(IF AMP2)

Q4 2SB186
(AF AMP)

Q5,6 2SB187
(AF POWER)

D1 1S188 AM
(DET)



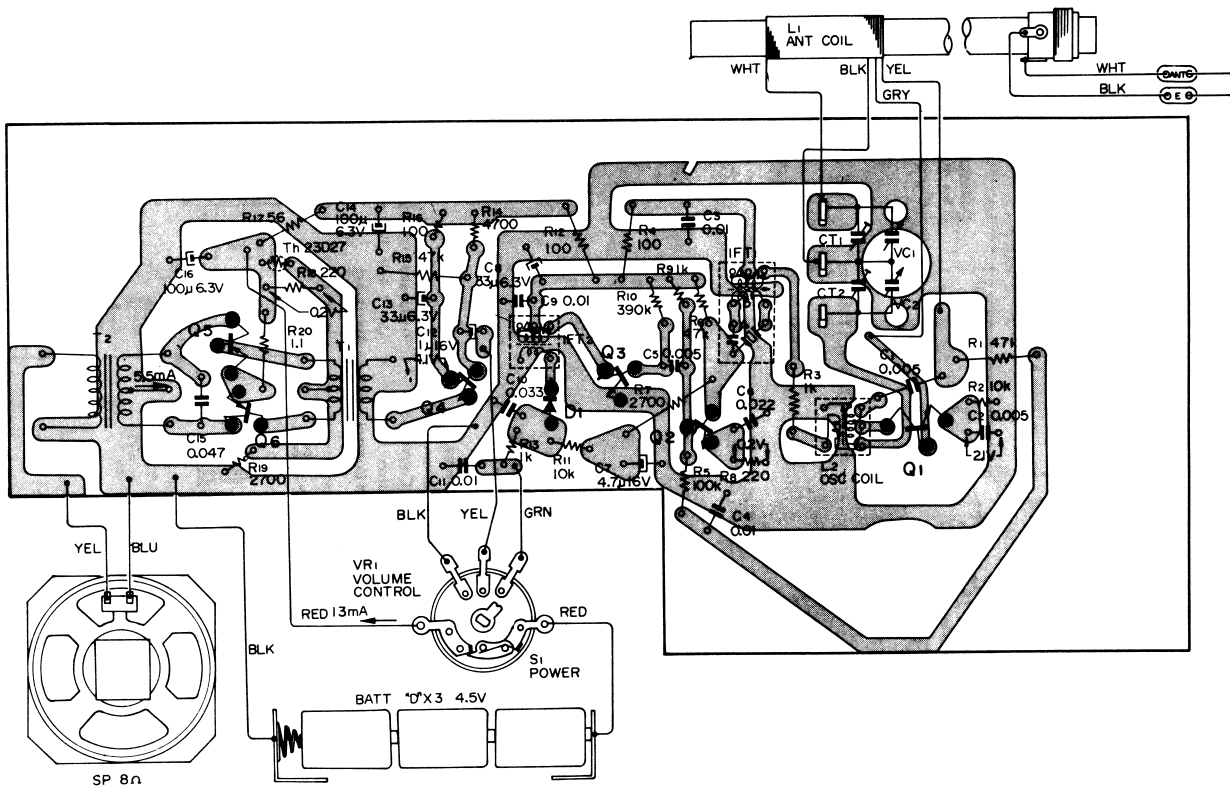
Notes:

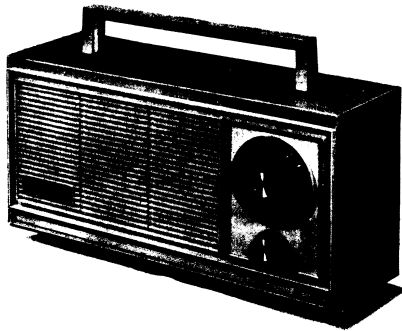
1. All resistors and capacitors are in Ω and μF , unless otherwise indicated.
2. Capacitors marked Δ are built-in i-f transformers.

3. Voltage values are measured to ground circuit with a dc voltmeter (20 k Ω/V) and current values are measured with a dc ammeter, while no radio signal is received.
4. Variations may be noted due to normal production tolerances.

MOUNTING DIAGRAM

- Conductor Side -





SPECIFICATIONS

- Circuit System:** 6-transistor 1-diode superheterodyne
- Frequency Coverage:** 530-1,605 kHz (566 - 187 mm)
- Intermediate Frequency:** 455 kHz
- Antenna System:** built-in ferrite bar antenna
- Maximum Sensitivity:** 56 μ V/m, 35 dB/m
- Selectivity:** 22 dB at 1,000 kHz
- Power Requirement:** Three "D" size flashlight batteries, 4.5V in total
- Power Output**
 - undistorted: 300 mW
 - maximum: 500 mW
- Current Drain**
 - at zero signal: 13 mA
 - at 300 mW output: 100 mA
- Speaker:** 4" (10 cm), 8 Ω
- Dimensions:** 10 $\frac{5}{8}$ " (W) x 5 $\frac{1}{4}$ " (H) x 3 $\frac{3}{4}$ " (D)
(270 mm x 133 mm x 95 mm)
- Weight:** 2 lb 1 oz (980 g) without batteries

Adjustment	Rf Signal Generator Coupling	Rf Signal Generator Frequency	Receiver Pointer Setting	Adjust	Remarks
IF Alignment	Loop antenna (See Fig. 5)	455 kHz	Fully clockwise	IFT-1	Adjust for maximum meter reading.
Frequency Coverage	- ditto -	520 kHz	Fully counter-clockwise	osc coil L2	- ditto -
		1,680 kHz	Fully clockwise	osc trimmer CT-2	
Tracking		620 kHz	Tune to 620 kHz signal	ant coil L1	
		1,400 kHz	Tune to 1,400 kHz signal	ant trimmer CT-1	

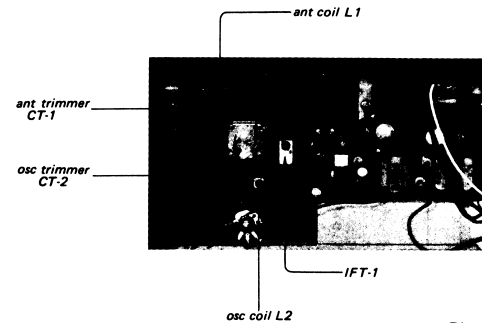


Fig. 6