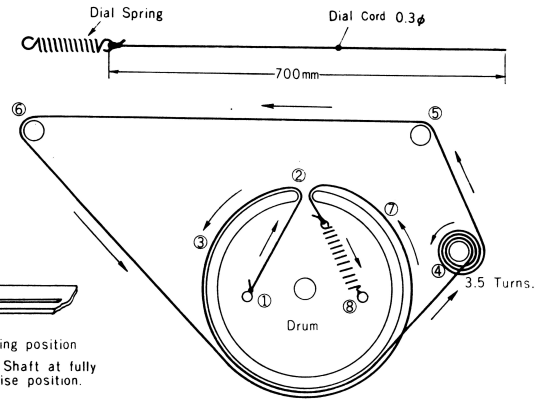
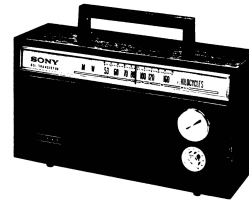
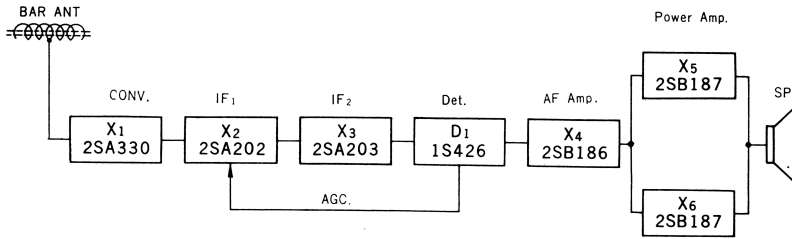


Block Diagram

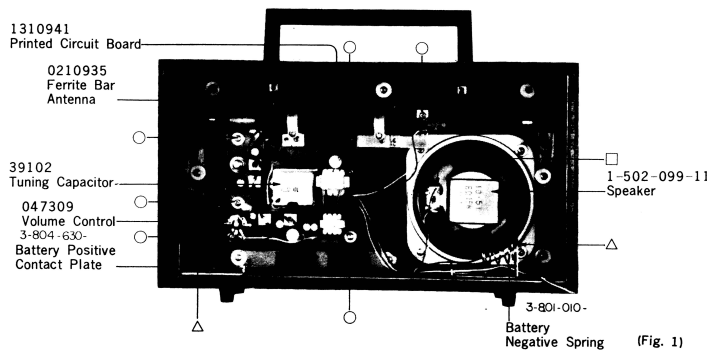


Frequency Coverage and Tracking Adjustment

Adj. Item	SSG (Standard Signal Generator) Coupling	SSG Freq.	Receiver Dial Setting	Connect VTVM	Adjust	Remarks
Frequency Coverage	Loop Antenna	520 Kc (1000 c/s 30% AM)	Fully Left	Across 8Ω Load Resistor	OSC Coil (L ₄)	Adjust for maximum Meter reading Volume Control: MAX. Power Supply: DC 6V
		1680 Kc (")	Fully Right		OSC Trimmer (C _{x2})	
Tracking	—ditto—	620 Kc (")	Tune to 620Kc signal	—ditto—	ANT Coil (L _A)	—ditto—
		1400 Kc (")	Tune to 1400Kc signal		ANT Trimmer (C _{x1})	

Removal of Chassis

- (1) Remove the two Back Cover Holding Screws to remove the Back Cover.
- (2) Remove the Tuning Knob and Volume Control Knob by pulling them straight out.
- (3) Remove the six Screws marked with ○ shown in Fig. 1.
- (4) Unsolder the two leads (a yellow and a blue) at the speaker marked with □ shown in Fig. 1.
- (5) Unsolder the Red lead at the Battery Positive Contact Plate marked with △ shown in Fig. 1.
- (6) Unsolder the Black lead at the Battery Negative Spring marked with ▲ shown in Fig. 1.

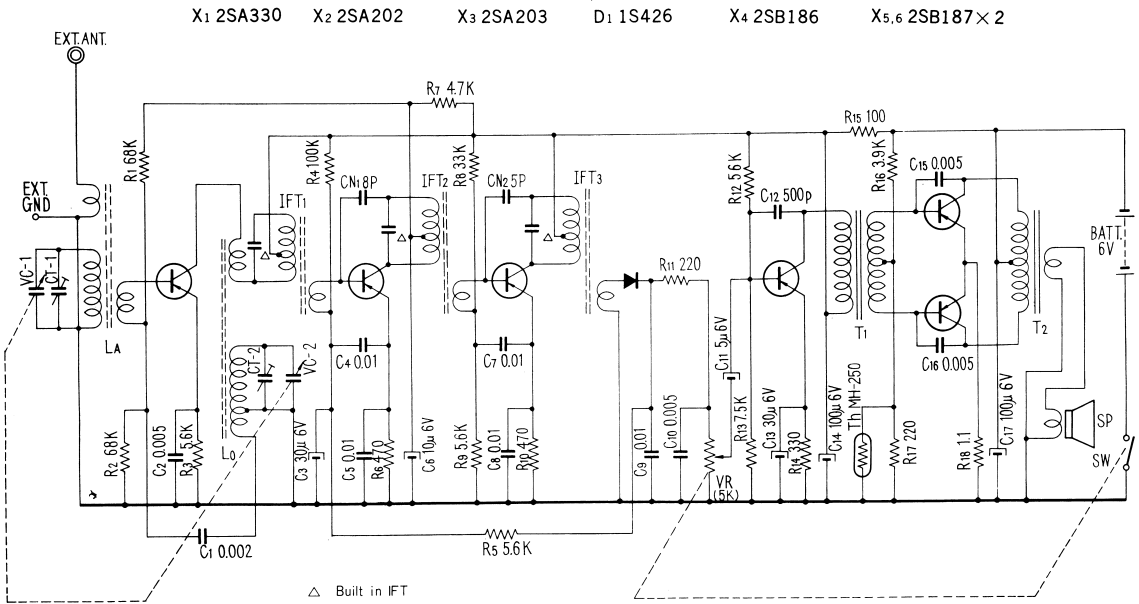


(Fig. 1)

Electrical Parts List

Part No.	Symbol	Description	Part No.	Symbol	Description
0210935	L _A	Ferrite Bar Antenna	1-201-688-	R ₁₂	56KΩ ½W Composition
027295	L ₀	Oscillator Coil	-091-	R ₁₃	7.5KΩ " "
022904	IFT ₁	IF Transformer	-082-	R ₁₄	330Ω " "
022905	IFT ₂	" "	-100-	R ₁₅	100Ω " "
022906	IFT ₃	" "	-085-	R ₁₆	3.9KΩ " "
026105	T ₁	Driver Transformer	-081-	R ₁₇	220Ω " "
026114	T ₂	Output Transformer	1-244-602-11	R ₁₈	1.1Ω ¼W Carbon
0710940	SP	Speaker	047309	VR	5KΩ Volume Control
1-528-001-00	SW	Power Switch (Built in VR)			
	BATT	Battery			
	X ₁	Transistor 2SA330	39102	V _{C1-2}	Capacitor
	X ₂	" 2SA202	1-101-958-	C _{N1-2}	Tuning Capacitor, 2 gang
	X ₃	" 2SA203	-955-	C _{N1}	8pF Ceramic
	X ₄	" 2SB186	-139-	C _{N2}	5pF " "
	X ₅	" 2SB187	-144-	C ₁	0.002μF " "
	X ₆	" 2SB187	-144-	C ₂	0.005μF " "
	D ₁	Diode 1S426	1-121-102-	C ₃	30μF 6V Electrolytic
	Th	Thermistor MH-250	1-101-141-11	C ₄	0.01μF Ceramic
			-141-11	C ₅	0.01μF " "
			1-121-104-	C ₆	10μF 6V Electrolytic
			1-101-141-11	C ₇	0.01μF Ceramic
1-201-098-	R ₁	Resistor 68KΩ ½W Composition	-141-11	C ₈	0.01μF " "
-098-	R ₂	68KΩ " " "	-141-11	C ₉	0.01μF " "
-086-	R ₃	5.6KΩ " " "	-144-	C ₁₀	0.005μF " "
-061-	R ₄	100KΩ " " "	1-121-106-	C ₁₁	5μF 6V Electrolytic
-086-	R ₅	5.6KΩ " " "	1-102-692-	C ₁₂	500pF Ceramic
-096-	R ₆	470Ω " " "	1-121-102-	C ₁₃	30μF 6V Electrolytic
-089-	R ₇	4.7KΩ " " "	-291-11	C ₁₄	100μF 6V " "
-049-	R ₈	33KΩ " " "	1-101-144-	C ₁₅	0.005μF Ceramic
-086-	R ₉	5.6KΩ " " "	-144-	C ₁₆	0.005μF " "
-096-	R ₁₀	470Ω " " "	1-121-291-11	C ₁₇	100μF 6V Electrolytic
-081-	R ₁₁	220Ω " " "			

Circuit Schematic



Mounting Diagram

