

C17, C21, R23, R25: Mounted on the conductor side.

Printed Circuit Board
Part No. 1-539-110-11

Schematic Diagram

SPECIFICATIONS

Circuit System: 6-transistor 2-diode superheterodyne
Frequency Coverage: 530 ~ 1,605 kHz (566 ~ 187 m)
Antenna System: Built-in ferrite bar antenna
Intermediate Frequency: 455 kHz
Maximum Sensitivity: 79µV/m (at 50 mW output)
Selectivity: 27 dB at 10 kHz off resonance, at 1,400 kHz
Power Output: 300 mW (10% distortion)
 500 mW (maximum)
Speaker: 2x" (70 mm) PM dynamic, 8 Ω
Power Requirements: AC 220V, 50Hz, 5W

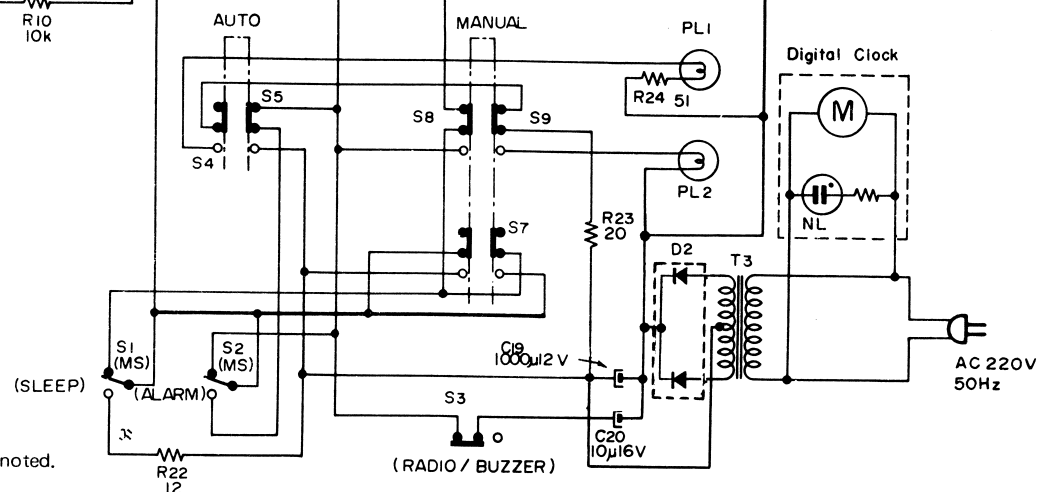
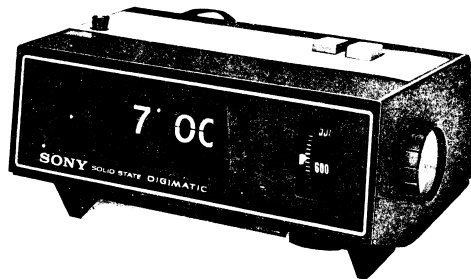
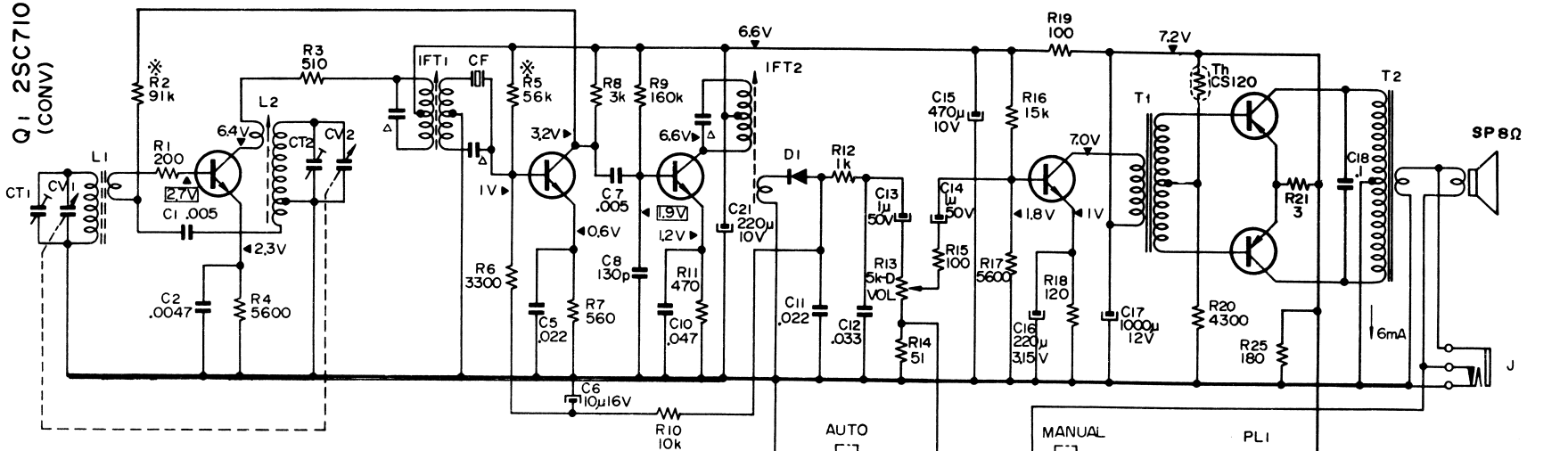
Q₂ 2SC710
(IF AMP1)

Q₃ 2SC710
(IF AMP2)

D₁ 1T23
(DET)

Q₄ 2SC870
(AF AMP)

Q_{5,6} 2SB22
(POWER AMP)



D₂ CD2
(POWER RECTIFIER)

NOTES:

1. All resistors and capacitors are rated in Ω and µF, unless otherwise noted.
2. Capacitors marked with Δ are built in i-f transformers.
3. Resistors marked with * are to be selected in value.
4. Voltage values shown are measured to ground circuit with a dc voltmeter (20 kΩ/volt) or VTVM (enclosed in □) with no radio signal received. Variations may be noted due to normal production tolerances.