

BM-21/23

SONY®

SERVICE MANUAL

US Model
AEP Model

BM-21/23

Canadian Model

UK Model

BM-23

SUPPLEMENT-1

File this supplement with the Service Manual.
(Printed wiring boards only are shown.)

Suffix of board parts number of AUDIO and LCD boards is changed.

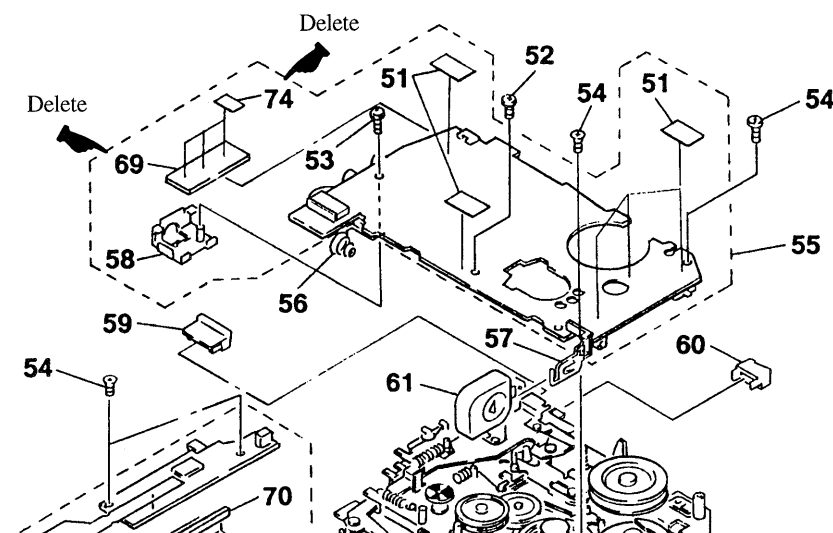
AUDIO BOARD : 1-651-430-**11** → 1-651-430-**13**
LCD BOARD : 1-651-429-**11** → 1-651-429-**13**

• Content of main change

The ALARM board (1-652-833-11) is unified into the AUDIO board.

(Page 23)

6-2. PC BOARD SECTION



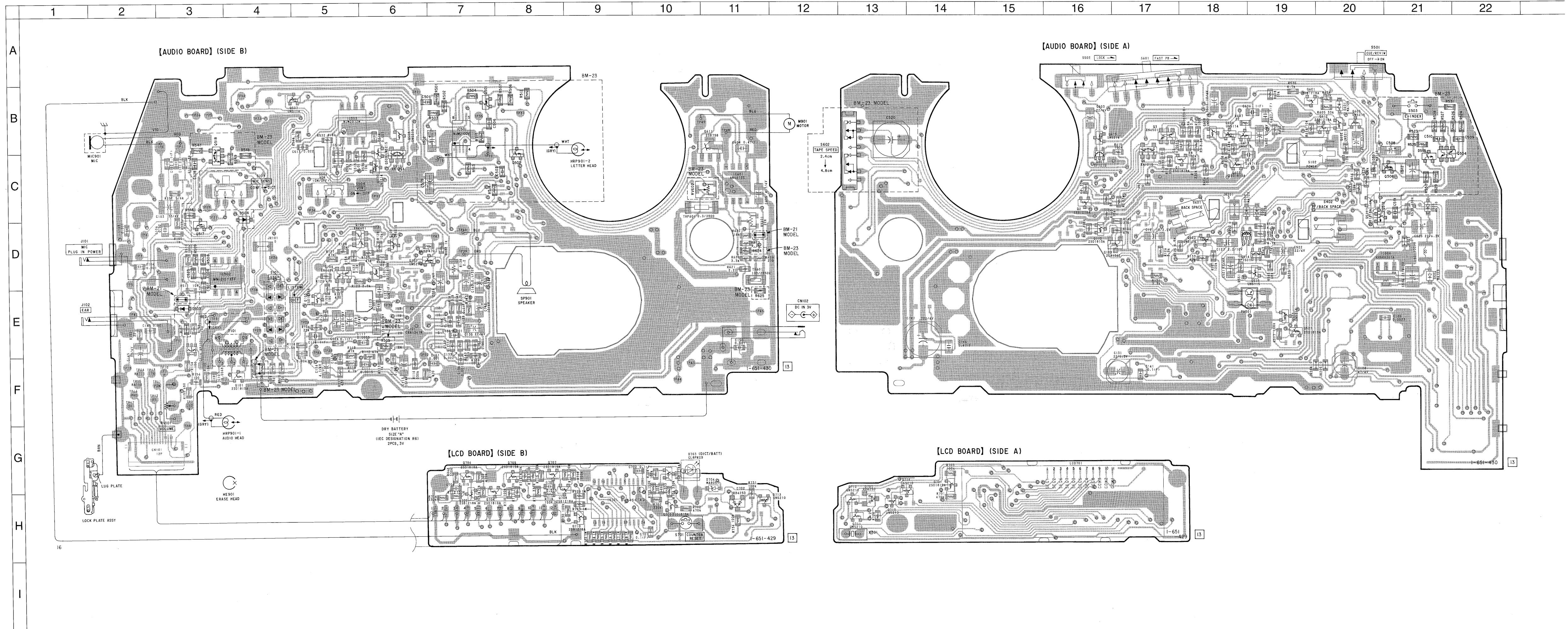
		AUDIO BOARD 1-651-430	
		FORMER (- 11)	NEW (- 13)
* 69	ALARM BOARD	1-652-833-11	_____
74	CUSHION (B)	4-017-441-01	_____

PRINTED WIRING BOARD

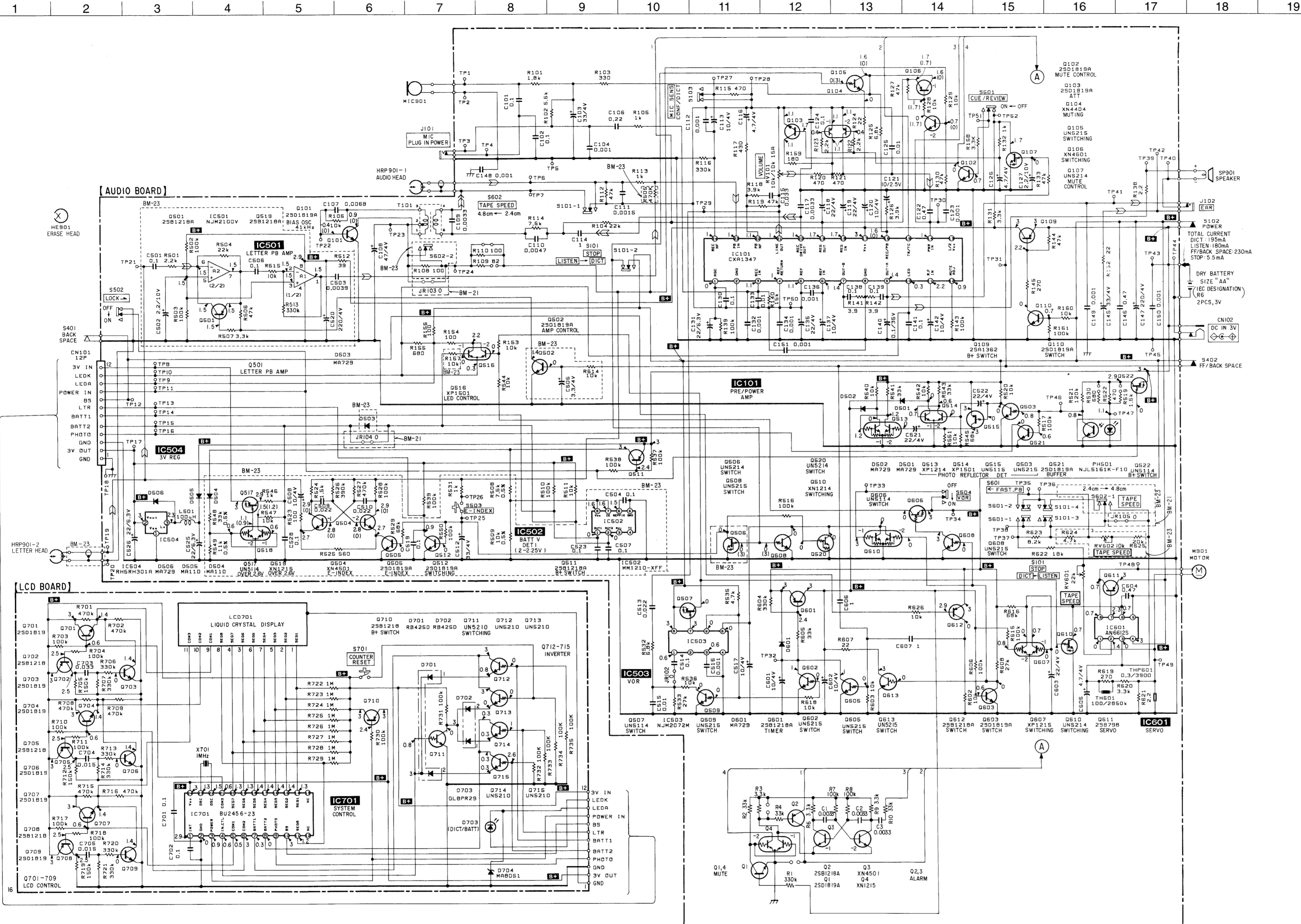
• Semiconductor Location

Ref. No.	Location	Ref. No.	Location
D501	C-19	Q507	B-5
D502	C-18	Q508	B-6
D503	E-3	Q509	C-7
D504	C-4	Q510	C-6
D505	C-21	Q511	C-20
D506	D-21	Q512	C-20
D507	C-20	Q513	D-18
D601	B-20	Q514	D-18
D701	G-13	Q515	D-19
D702	G-11	Q516	E-3
D704	G-11	Q517	D-3
		Q518	B-3
IC101	E-6	Q520	C-6
IC501	B-7	Q521	E-19
IC502	D-4	Q522	D-18
IC503	B-5	Q601	B-19
IC504	D-21	Q602	B-20
IC601	C-11	Q603	C-18
IC701	H-9	Q605	B-20
		Q606	B-18
PH501	E-19	Q607	C-16
		Q608	B-18
Q1	C-18	Q610	B-16
Q2	C-16	Q611	B-11
Q3	B-17	Q612	B-20
Q4	C-17	Q613	B-18
Q101	F-4	Q701	G-14
Q102	D-6	Q702	G-10
Q103	E-5	Q703	H-10
Q104	D-5	Q704	H-7
Q105	D-6	Q705	H-7
Q106	D-5	Q706	G-7
Q107	D-6	Q707	G-8
Q109	D-16	Q708	H-8
Q110	D-16	Q709	G-8
Q501	B-7	Q710	H-9
Q502	C-8	Q711	H-13
Q503	E-19	Q712	G-13
Q504	B-22	Q713	H-11
Q505	B-21	Q714	G-13
Q506	C-21	Q715	H-13

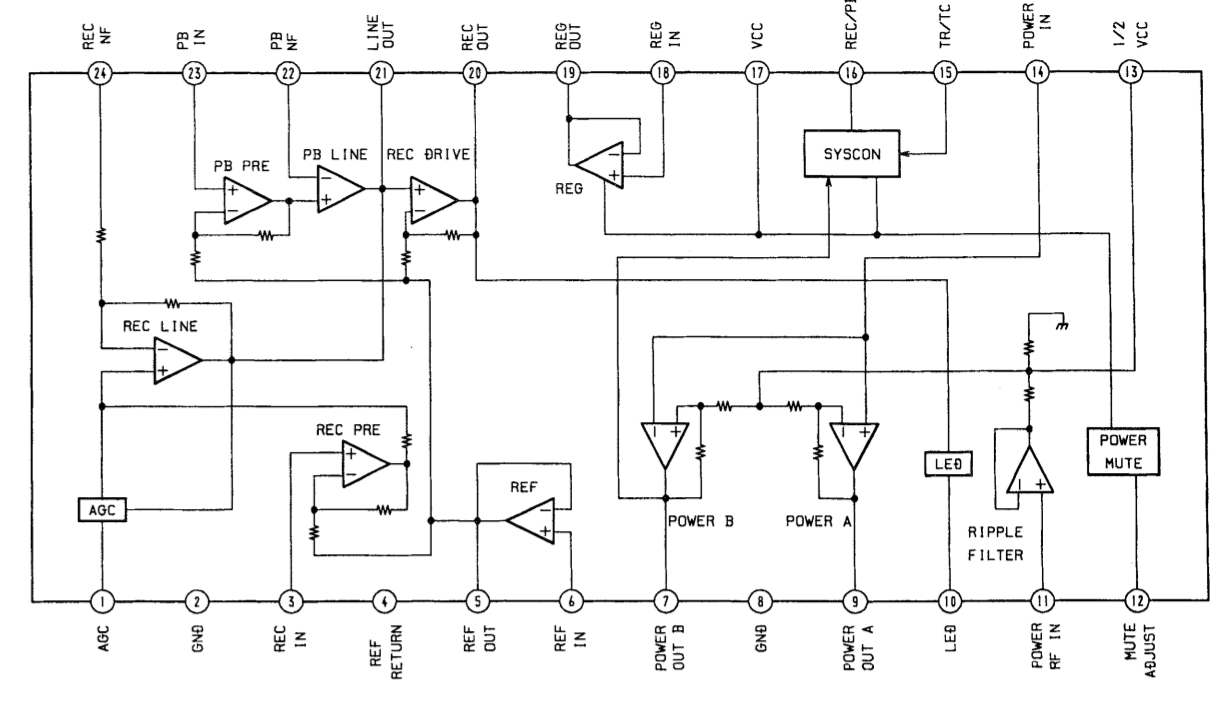
Note :
 • : Parts extracted from the conductor side.
 ○ : Through hole.
 ◌ : Pattern on the side which enable seeing.
 (The other layer's patterns are not indicated.)



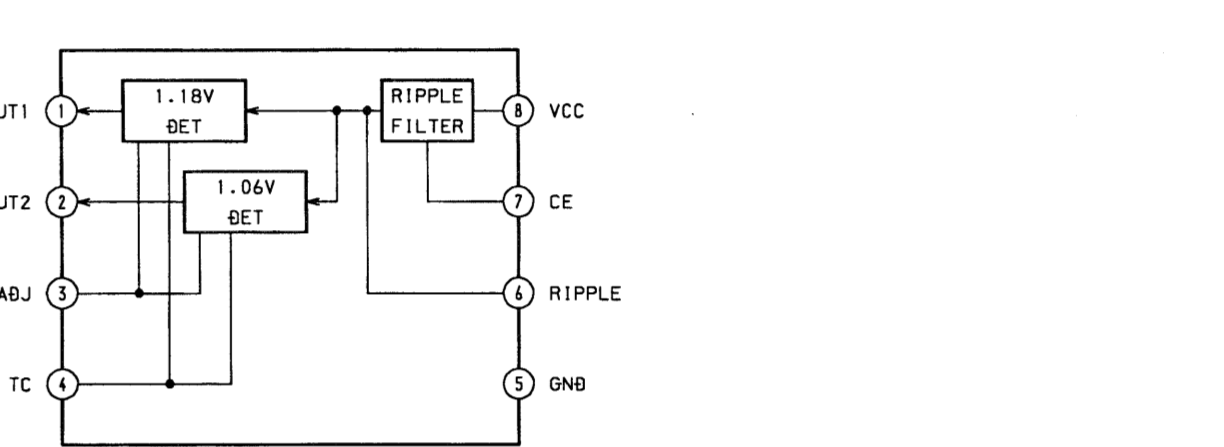
SCHMATIC DIAGRAM



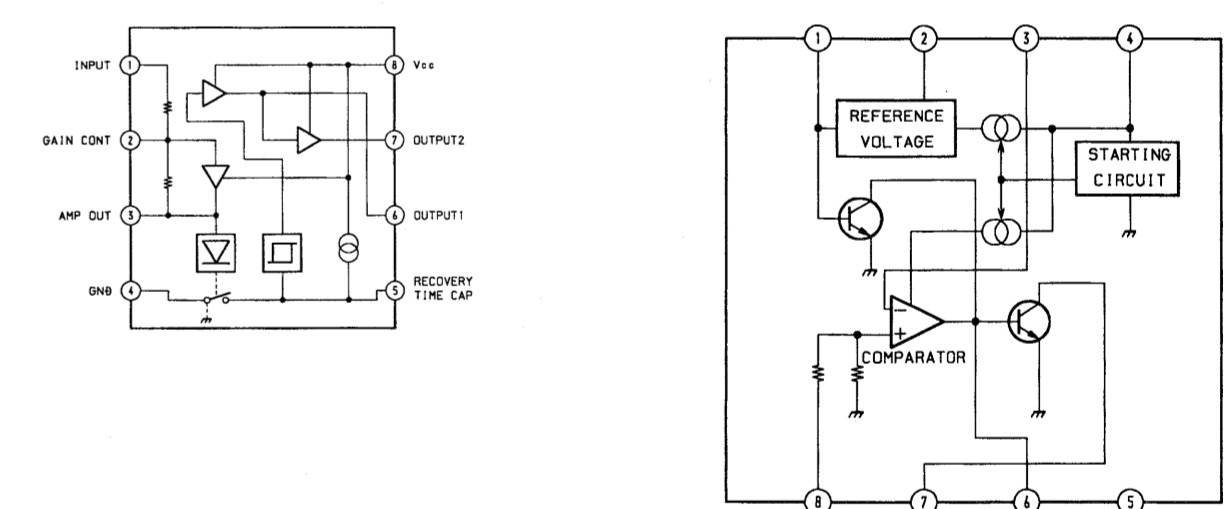
IC101 CXA1347N



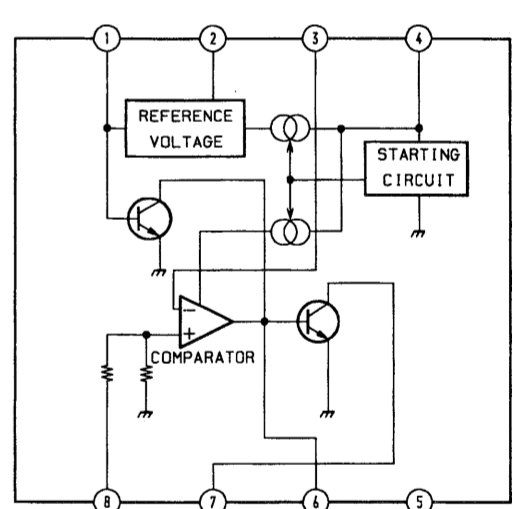
IC502 MM1210XFF



IC503 NJM2072M



IC601 AN6612S



- Note:**
- All capacitors are μF unless otherwise noted. pF ; μF
 - 50WV or less are not indicated except for electrolytics and tantalums.
 - All resistors are in Ω and 1/4W or less unless otherwise specified.
 - % : indicates tolerance.
 - : panel designation.
 - ⊕ : B+ Line
 - ⊖ : adjustment for repair.
 - Voltage and waveforms are dc with respect to ground under no-signal conditions. When opening the board and measuring turned on S102 (POWER) and S402 (FF/BACK SPACE). nomark : REC (DICT)
 - () : PB (LISTEN)
 - Voltages are taken with a VOM (Input impedance $10\text{k}\Omega$).
 - Voltage variations may be noted due to normal production tolerances.
 - Power voltage is dc 3V and fed with regulated dc power supply from external power voltage jack.
 - Total current is measured with no cassette installed.
 - Signal path