

# BM-21/23

SONY®

## SERVICE MANUAL

US Model  
AEP Model

BM-21/23

Canadian Model

UK Model

BM-23

## SUPPLEMENT-1

File this supplement with the Service Manual.  
(Printed wiring boards only are shown.)

Suffix of board parts number of AUDIO and LCD boards is changed.

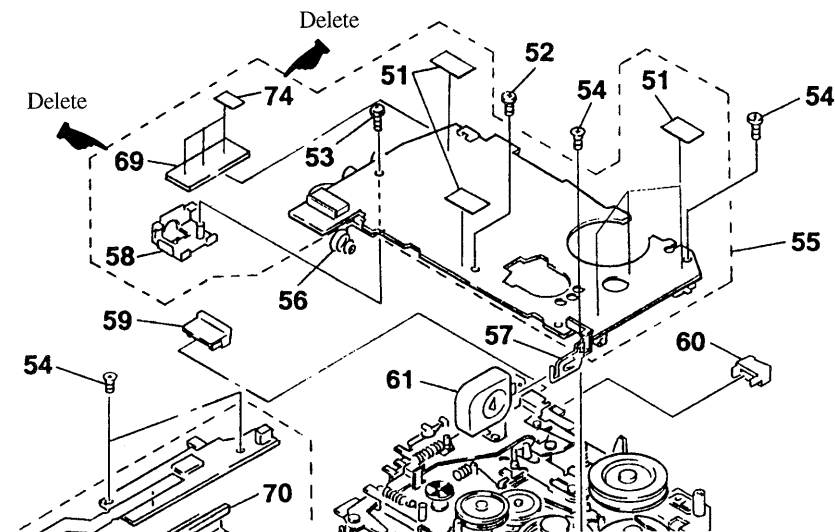
AUDIO BOARD : 1-651-430-**11** → 1-651-430-**13**  
LCD BOARD : 1-651-429-**11** → 1-651-429-**13**

• Content of main change

The ALARM board (1-652-833-11) is unified into the AUDIO board.

(Page 23)

### 6-2. PC BOARD SECTION



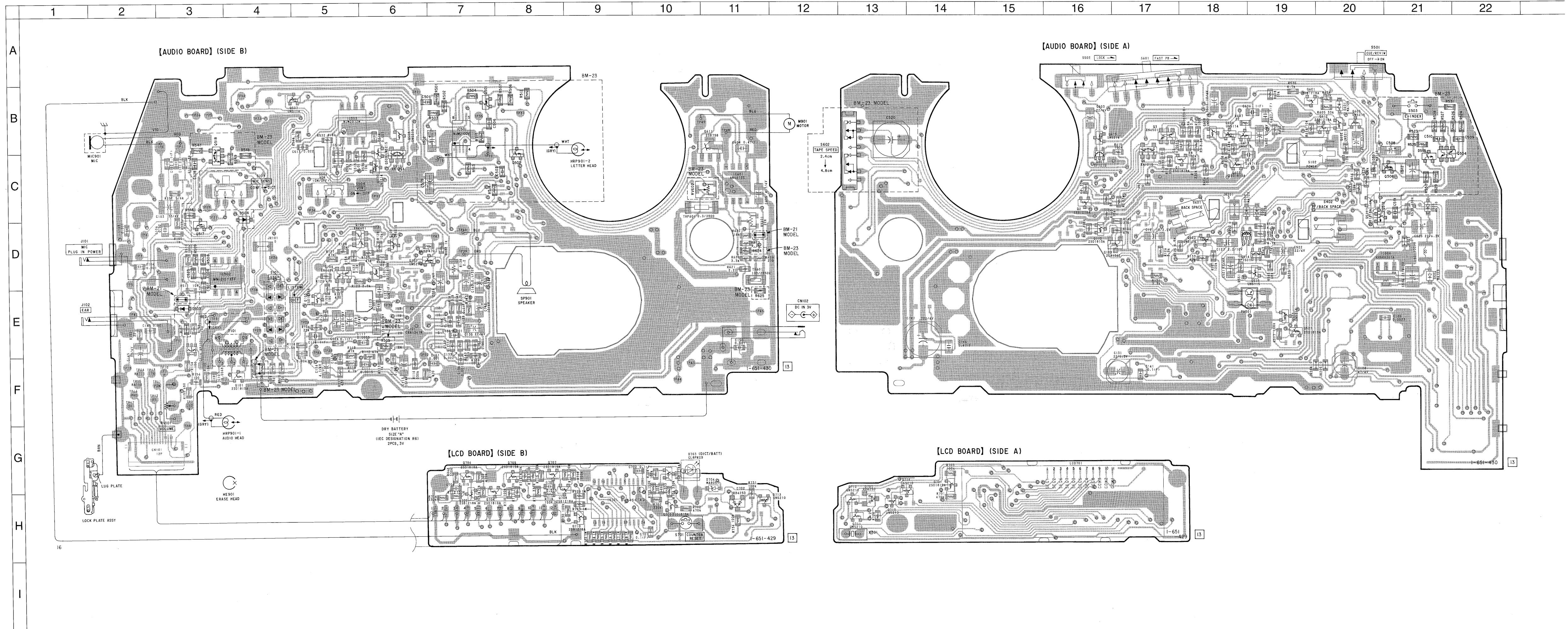
		AUDIO BOARD 1-651-430	
		FORMER (- 11)	NEW (- 13)
* 69	ALARM BOARD	1-652-833-11	_____
74	CUSHION (B)	4-017-441-01	_____

PRINTED WIRING BOARD

• Semiconductor Location

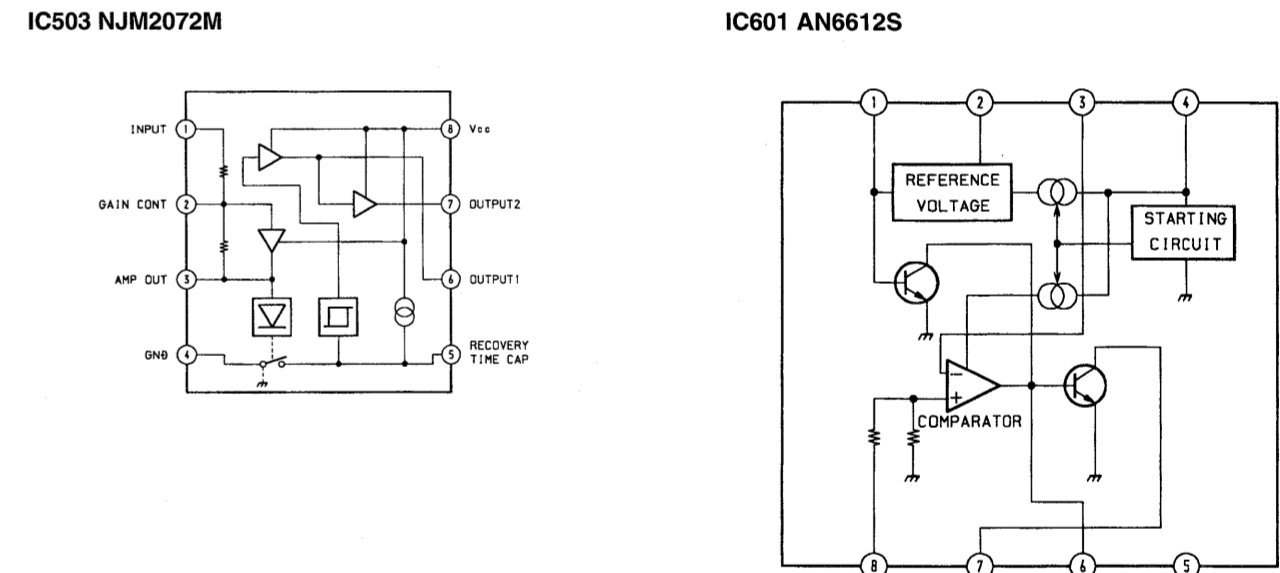
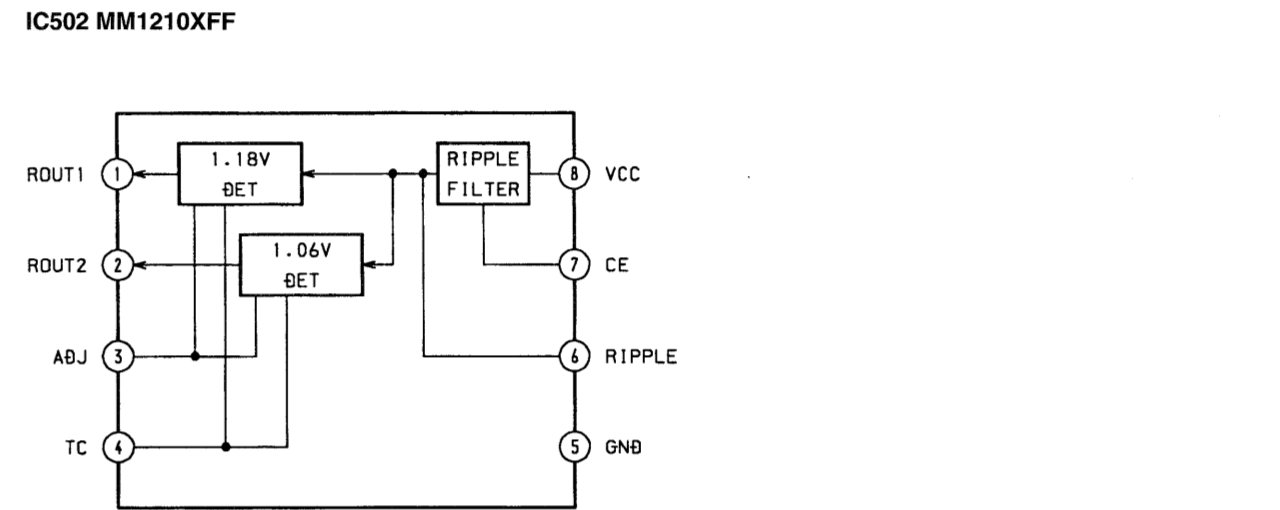
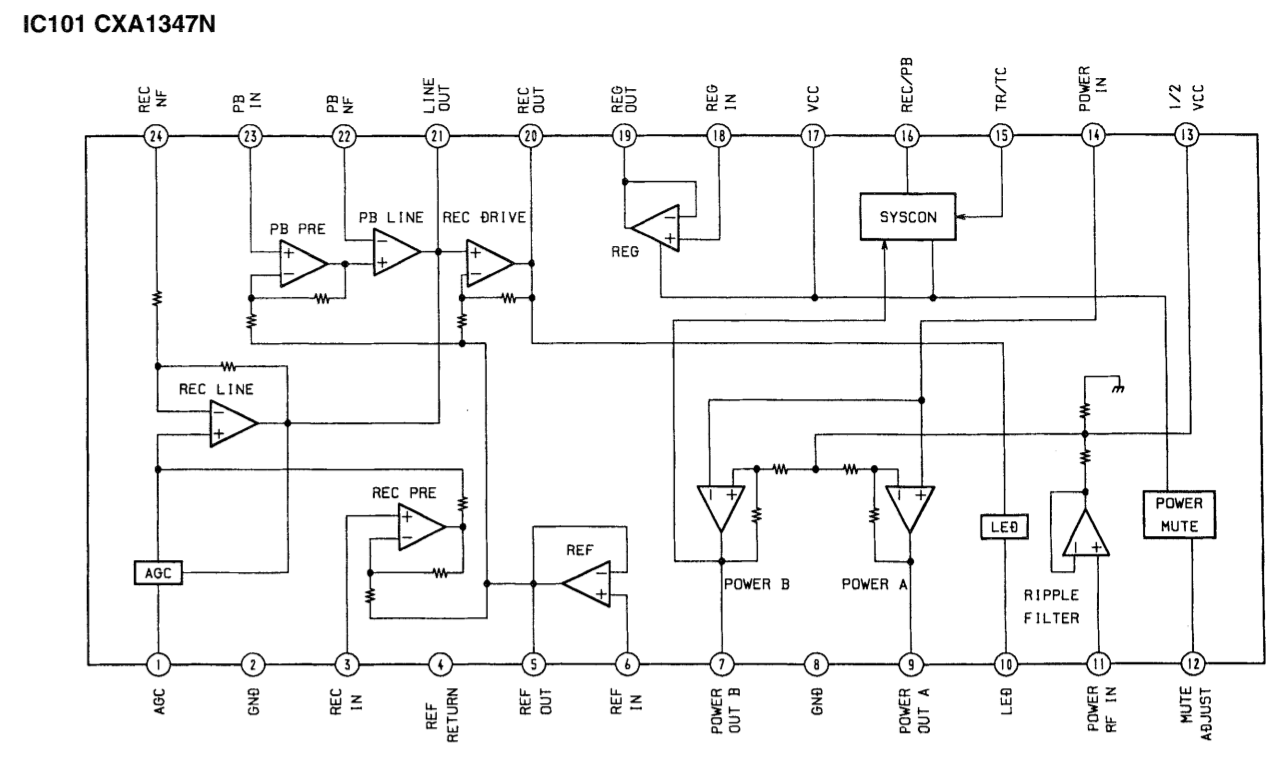
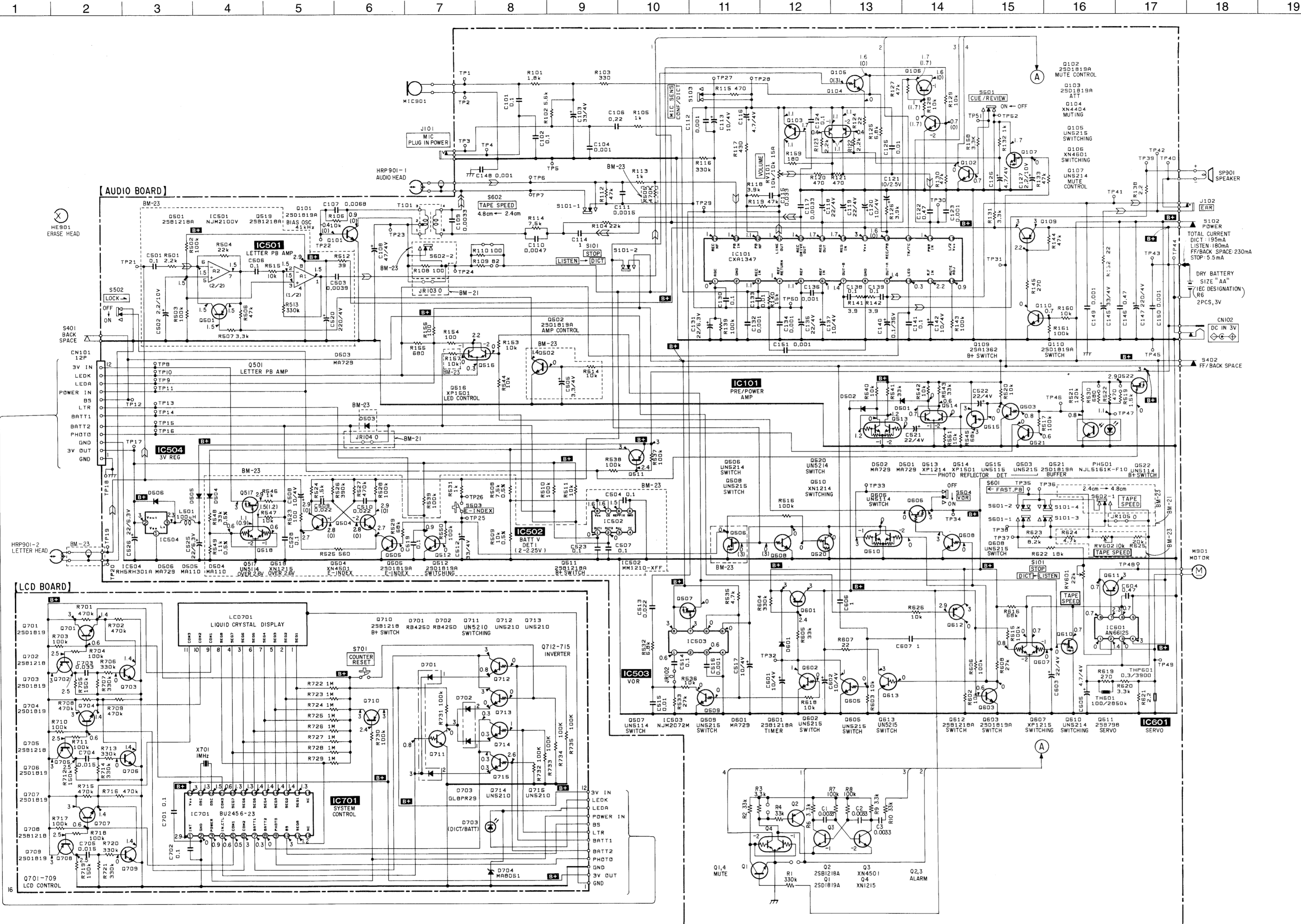
Ref. No.	Location	Ref. No.	Location
D501	C-19	Q507	B-5
D502	C-18	Q508	B-6
D503	E-3	Q509	C-7
D504	C-4	Q510	C-6
D505	C-21	Q511	C-20
D506	D-21	Q512	C-20
D507	C-20	Q513	D-18
D601	B-20	Q514	D-18
D701	G-13	Q515	D-19
D702	G-11	Q516	E-3
D704	G-11	Q517	D-3
		Q518	B-3
IC101	E-6	Q520	C-6
IC501	B-7	Q521	E-19
IC502	D-4	Q522	D-18
IC503	B-5	Q601	B-19
IC504	D-21	Q602	B-20
IC601	C-11	Q603	C-18
IC701	H-9	Q605	B-20
		Q606	B-18
PH501	E-19	Q607	C-16
		Q608	B-18
Q1	C-18	Q610	B-16
Q2	C-16	Q611	B-11
Q3	B-17	Q612	B-20
Q4	C-17	Q613	B-18
Q101	F-4	Q701	G-14
Q102	D-6	Q702	G-10
Q103	E-5	Q703	H-10
Q104	D-5	Q704	H-7
Q105	D-6	Q705	H-7
Q106	D-5	Q706	G-7
Q107	D-6	Q707	G-8
Q109	D-16	Q708	H-8
Q110	D-16	Q709	G-8
Q501	B-7	Q710	H-9
Q502	C-8	Q711	H-13
Q503	E-19	Q712	G-13
Q504	B-22	Q713	H-11
Q505	B-21	Q714	G-13
Q506	C-21	Q715	H-13

Note :  
 • : Parts extracted from the conductor side.  
 ○ : Through hole.  
 ○ : Pattern on the side which enable seeing.  
 (The other layer's patterns are not indicated.)





SCHMATIC DIAGRAM



**Note :**

- All capacitors are  $\mu\text{F}$  unless otherwise noted.  $\text{pF}$  ;  $\mu\text{F}$
- 50WV or less are not indicated except for electrolytics and tantalums.
- All resistors are in  $\Omega$  and 1/4W or less unless otherwise specified.
- % : indicates tolerance.
- : panel designation.
- ⊕ : B+ Line
- ⊖ : adjustment for repair.
- Voltage and waveforms are dc with respect to ground under no-signal conditions.
- When opening the board and measuring turned on S102 (POWER) and S402 (FF/BACK SPACE).  
nomark : REC (DICT)  
( ) : PB (LISTEN)
- Voltages are taken with a VOM (Input impedance  $10\text{k}\Omega$ ).
- Voltage variations may be noted due to normal production tolerances.
- Power voltage is dc 3V and fed with regulated dc power supply from external power voltage jack.
- Total current is measured with no cassette installed.
- Signal path  
: PB (LISTEN)  
: REC (DICT)