

# CFD-8

**SONY.**

*US Model  
Canadian Model*

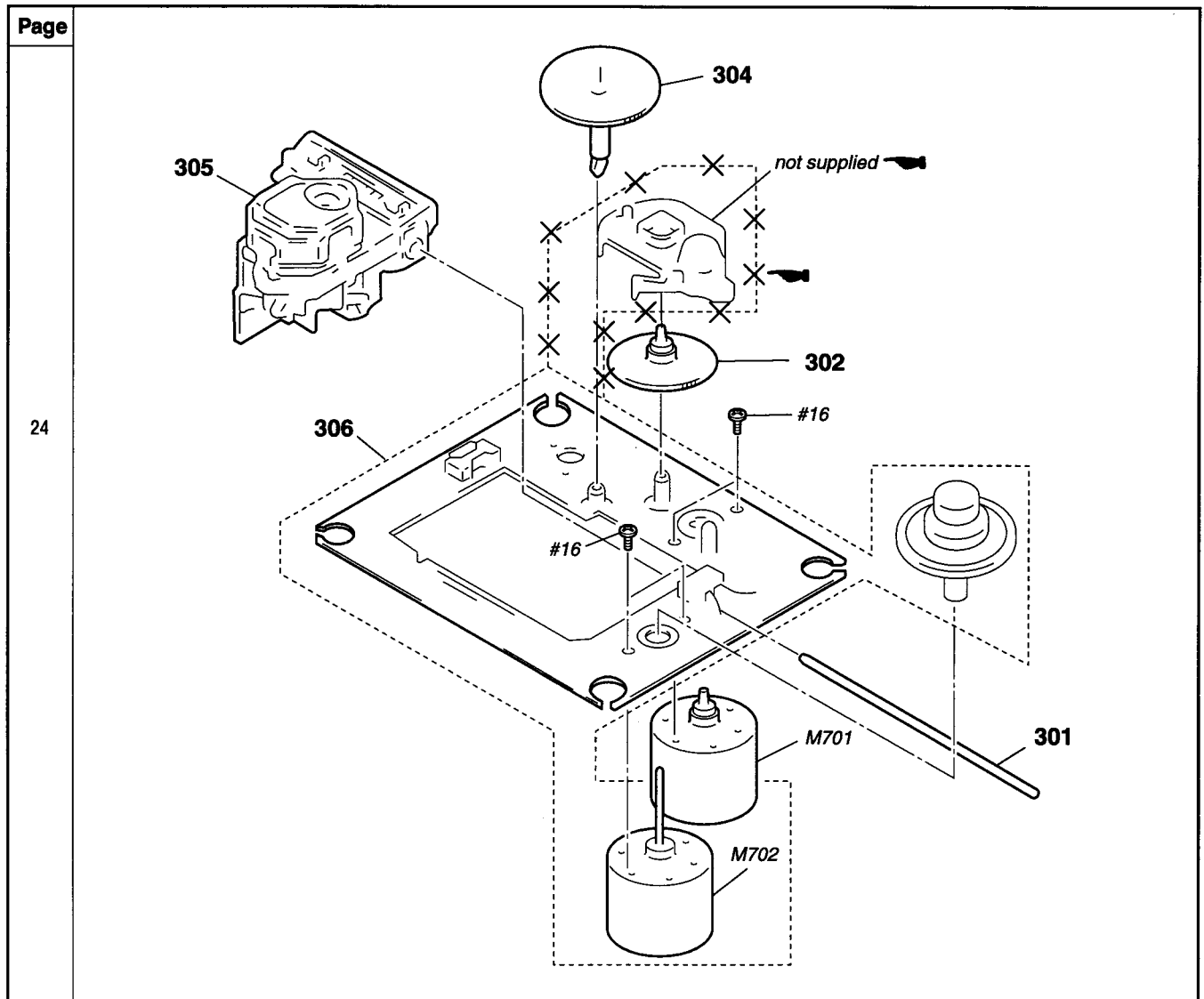
## SERVICE MANUAL

### CORRECTION - 1

Correct your Service Manual Supplement-1 as shown below.

#### 7-6. OPTICAL PICK-UP SECTION (KSM-213BAN/S-N)

● : Correct portion



Page

24

(SPM-97032)

