

CDP-68/207ESD/750

SERVICE MANUAL



PHOTO: CDP-750

US Model
CDP-68

US Model
CDP-207ESD

US Model
Canadian Model
AEP Model
UK Model
E Model
CDP-750

SPECIFICATIONS

Compact disc player

System	Compact disc player
Laser	Semiconductor laser ($\lambda = 780 \text{ nm}$)
Laser output	Max. 0.4 mW * This output is the value measured at a distance of about 1.6 mm from the objective lens surface on the Optical Pick-up Block.
Frequency response	2 Hz - 20 kHz ($\pm 0.5 \text{ dB}$)
Signal to noise ratio	More than 102 dB
Dynamic range	More than 95 dB
Harmonic distortion	Less than 0.003% (at 1 kHz)
Channel separation	More than 95 dB
Wow and flutter	Below measurable limit ($\pm 0.001\%$ WPEAK)

Outputs

	Type	Output level	Load impedance
LINE OUT	Phono jack	2 V (50 kilohms)	more than 10 kilohms
HEADPHONES	Stereo jack	6.6 mW (32 ohms)	—
DIGITAL OUT (CDP-207ESD/ 750: AEP, UK models only)	Phono jack	0.5 Vp-p (75 ohms)	75 ohms

General

Power requirements

US, Canadian Model	120V AC, 60Hz
AEP Model	220V AC, 50/60Hz
UK Model	240V AC, 50/60Hz
E Model	110-120, 220-240V AC, 50/60Hz

Power consumption

12W

Dimensions

Approx. 430 x 100 x 340 mm (w/h/d)
(17 x 4 x 13½ inches)

including projecting parts and controls

Weight

Approx. 4.7kg (10 lbs 6 oz), net

Remote commander (supplied) RM-D450

Remote control system

Infrared control

Power requirements

3 V DC with two R6 batteries (size AA)

Dimensions

62 x 20 x 168.5 mm (w/h/d)
(2½ x 1½ x 6¾ inches)

Weight

130 g (5 oz)
including batteries

Supplied accessories

Connecting cord (2 phono plugs ↔ 2 phono plugs)	1
Remote commander	1
R6 batteries	2



COMPACT DISC PLAYER
SONY®

AUD

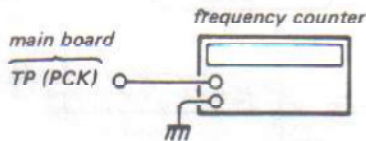
SECTION 1 ADJUSTMENTS

ELECTRICAL ADJUSTMENTS

1. Perform adjustments in the order given.
2. Use YEDS-18 (Part No.: 3-702-101-01) disc unless otherwise indicated.
3. Use the oscilloscope with more than 10 MΩ impedance.

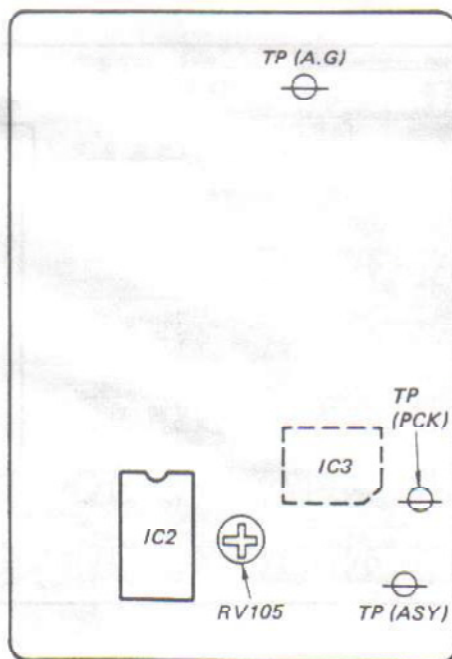
RF PLL Frequency Adjustment/Lock Frequency Check

Procedure:



1. Connect test point TP (ASY) to ground with lead wire.
2. Turn POWER switch on.
3. Connect the frequency counter to test point TP (PCK).
4. Adjust RV105 so that the reading on frequency counter is 4.3218 MHz ± 30 kHz.
..... (RF PLL frequency adjustment)
5. Remove lead wire connecting TP (ASY) to ground.
6. Put disc (YEDS-18) in and press ▷ button.
7. Confirm that the reading on frequency counter is 4.3218 MHz.

Adjustment Location: main board

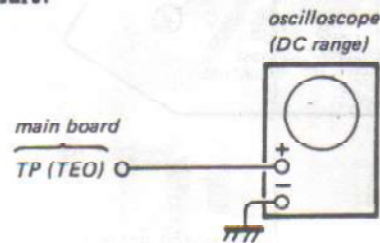


COMPONENT SIDE (FRONT)

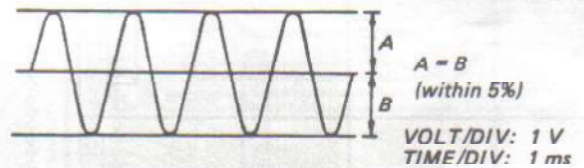
E-F Balance Adjustment

This adjustment should be made when replacing Optical pick-up Block.

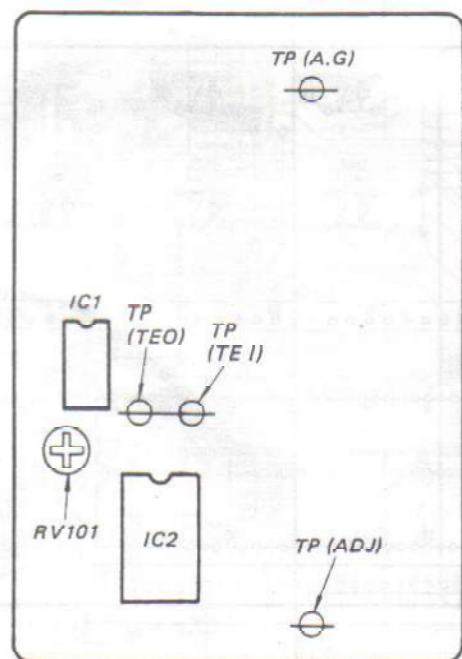
Procedure:



1. Connect test point TP (ADJ) and test point TP (TE I) to ground with lead wire.
2. Connect oscilloscope to test point TP (TEO).
3. Turn POWER switch on.
4. Put disc (YEDS-18) in and press ▷ button.
5. Adjust RV101 so that the traverse waveform is symmetrical above and below.
6. After adjustment, remove the lead wire connected in step 5.



Adjustment Location: main board

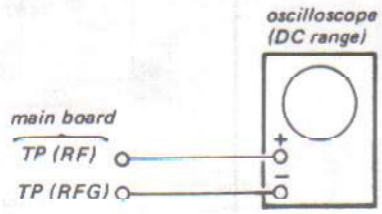


COMPONENT SIDE (FRONT)

Focus Bias Adjustment

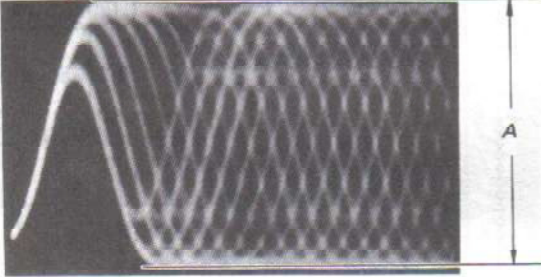
This adjustment should be made when replacing Optical pick-up Block.

Procedure:



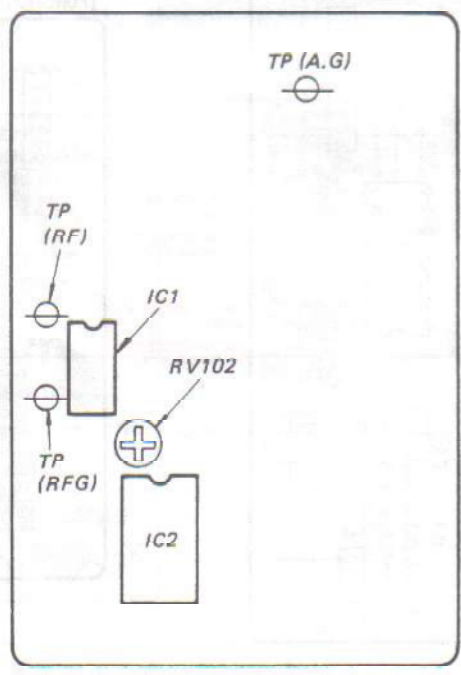
1. Connect oscilloscope to test point TP (RF) and test point TP (RFG).
2. Turn POWER switch on.
3. Put disc (YEDS-18) in and press ▷ button.
4. Adjust RV102 for an optimum waveform eye pattern or so that the peak is maximum. Optimum eye pattern means that shape "◇" can be clearly distinguished at the center of the waveform.

RF signal waveform



$A = 1.2V \pm 0.2 (Vp-p)$

Adjustment Location: main board



COMPONENT SIDE (FRONT)

REFERENCE

Focus/Tracking Gain Adjustment

A frequency response analyzer is necessary in order to perform this adjustment exactly.

However, this gain has a margin, so even if it is slightly off, there is no problem. Therefore, do not perform this adjustment.

Focus/tracking gain determines the pick-up follow-up (vertical and horizontal) relative to mechanical noise and mechanical shock when the 2-axis device operate.

However, as these reciprocate, the adjustment is at the point where both are satisfied.

- When gain is raised, the noise when the 2-axis device operates increases.
- When gain is lowered, it is more susceptible to mechanical shock and skipping occurs more easily.
- When gain adjustment is off, the symptoms below appear.

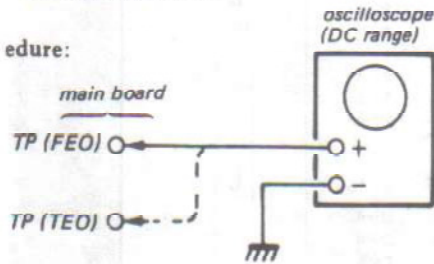
Symptoms	Gain	Focus	Tracking
• The time until music starts becomes longer for STOP → ▷PLAY or automatic selection (◀▶ buttons pressed. (Normally takes about 2 seconds.)		low	low or high
• Music does not start and disc continues to rotate for STOP → ▷PLAY or automatic selection (◀▶ buttons pressed.)			low
• Disc table opens shortly after STOP → ▷PLAY.		low or high	-
• Sound is interrupted during PLAY. Or time counter display stops progressing.		-	low
• More noise during 2-axis device operation.	high	high	high

The following is a simple adjustment method.

Simple Adjustment -

Since exact adjustment cannot be performed, remember the positions of the controls before performing the adjustment. If the positions after the simple adjustment are only a little different, return the controls to the original position.

Procedure:



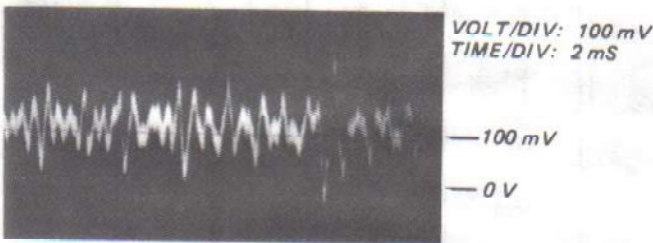
Keep the set horizontal.

If the set is not horizontal, this adjustment cannot be performed due to the gravity against the 2 axis device.

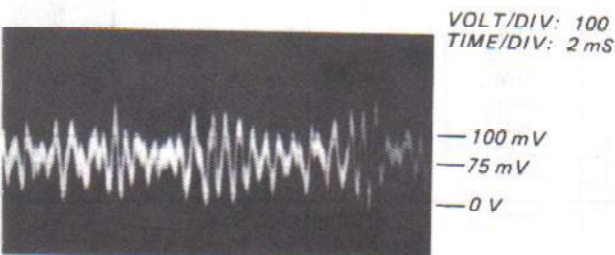
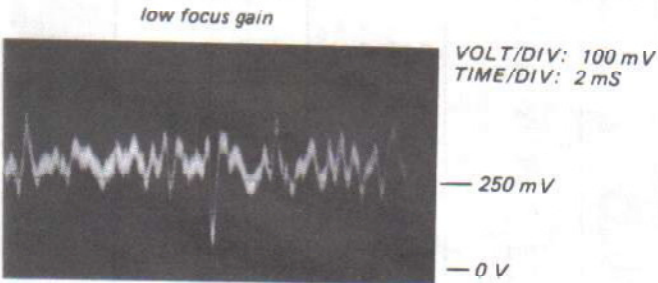
Insert disc (YEDS-18: Fifth Selection) and press PLAY button.

Connect oscilloscope to main amp board TP (TEO).

Adjust RV103 so that the waveform is as shown in the figure below. (focus gain adjustment)



Incorrect Examples (DC level changes more than an adjusted waveform)

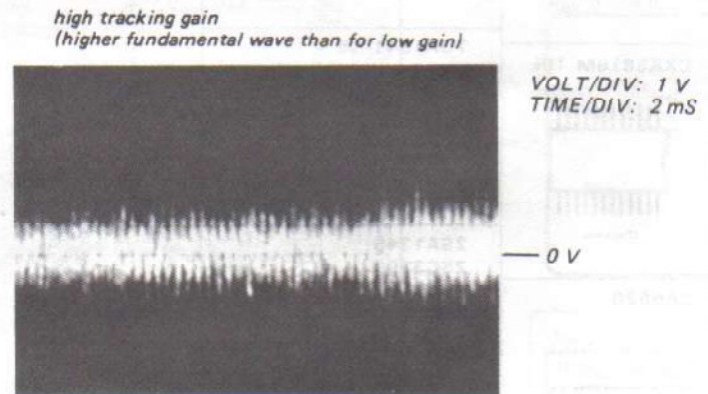


5. Connect oscilloscope to main board TP (TEO).

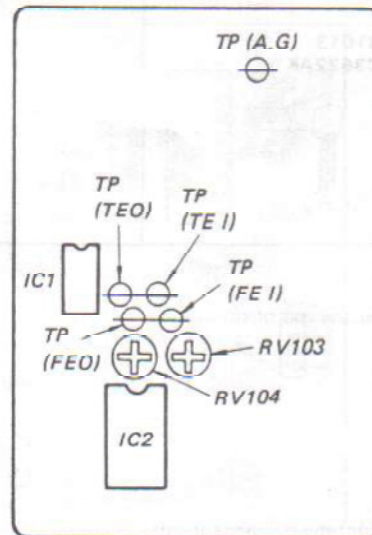
6. Adjust RV104 so that the waveform is as shown in the figure below. (tracking gain adjustment)



Incorrect Examples (fundamental wave appears)



Adjustment Location: main board

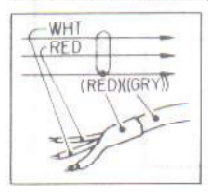


COMPONENT SIDE (FRONT)

● Semiconductors Lead Layout

<p>CXA1081S</p> <p>(Top view)</p>	<p>M5230L-A</p>	<p>2SB1014</p>
<p>CXA1182S</p> <p>(Top view)</p>	<p>M5231TL</p>	<p>2SB1274SA 2SD1913SA</p>
<p>CXD1088Q</p>	<p>M5290P-16 TA8406P</p> <p>(Top view)</p>	<p>HZS9B2L RD5.1ESB</p> <p>cathode anode</p>
<p>CXD1125Q</p> <p>MARKING SIDE VIEW</p>	<p>MSC6458-17SS</p> <p>(Top view)</p>	<p>1SS132 10E2</p> <p>cathode anode</p>
<p>CXK5816M-10L</p> <p>(Top view)</p>	<p>TDA1541-N5</p> <p>(Top view)</p>	
<p>LA6520</p> <p>(Top view)</p>	<p>2SA1345 2SC3399 2SC3402 2SC3860</p>	
<p>M5218P M74HC6004P μPC4570C</p> <p>(Top view)</p>	<p>2SB1013 2SC3622AK</p>	

Note:
● ○ : parts extracted from the component side.
● ■ : parts mounted on the conductor side.

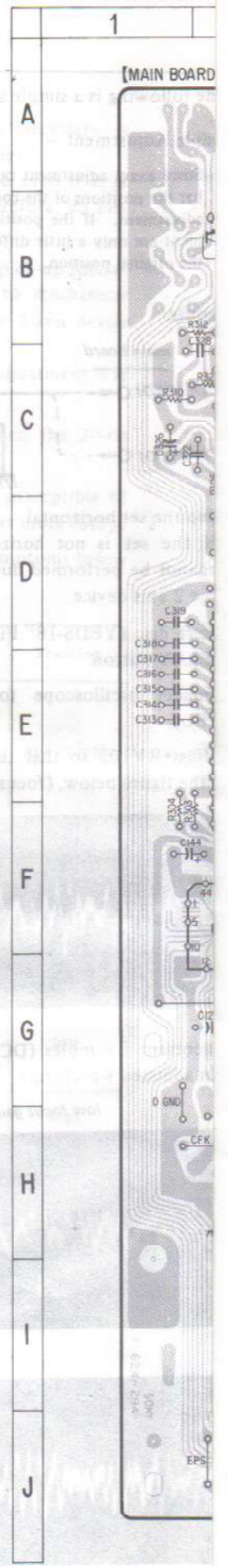


- □ : indicates side identified with part number.
- ○ : Jumper wire connected to the ground pattern on the component side.

SECTION 2
DIAGRAMS

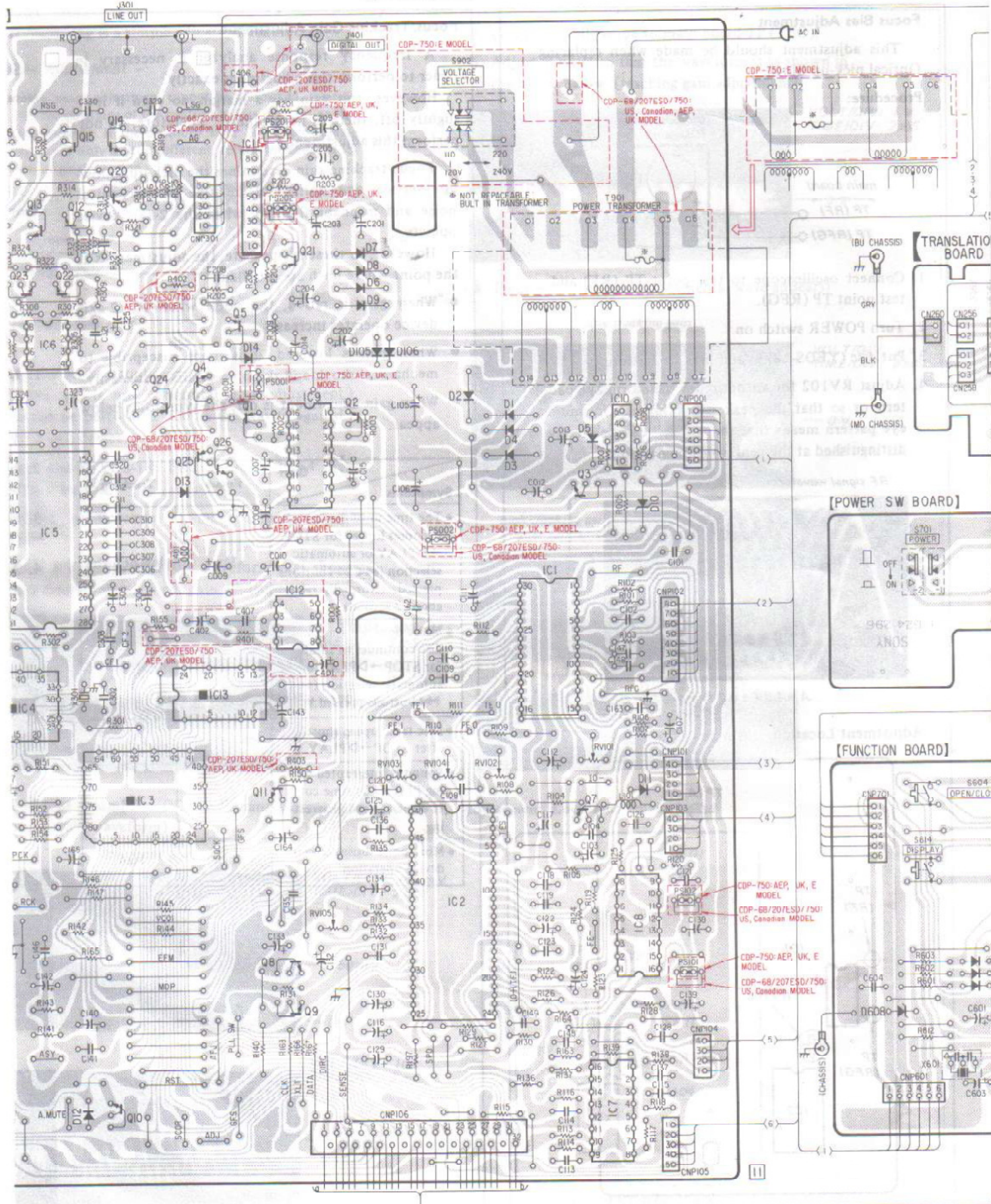
2-1. PRINTED WIRING

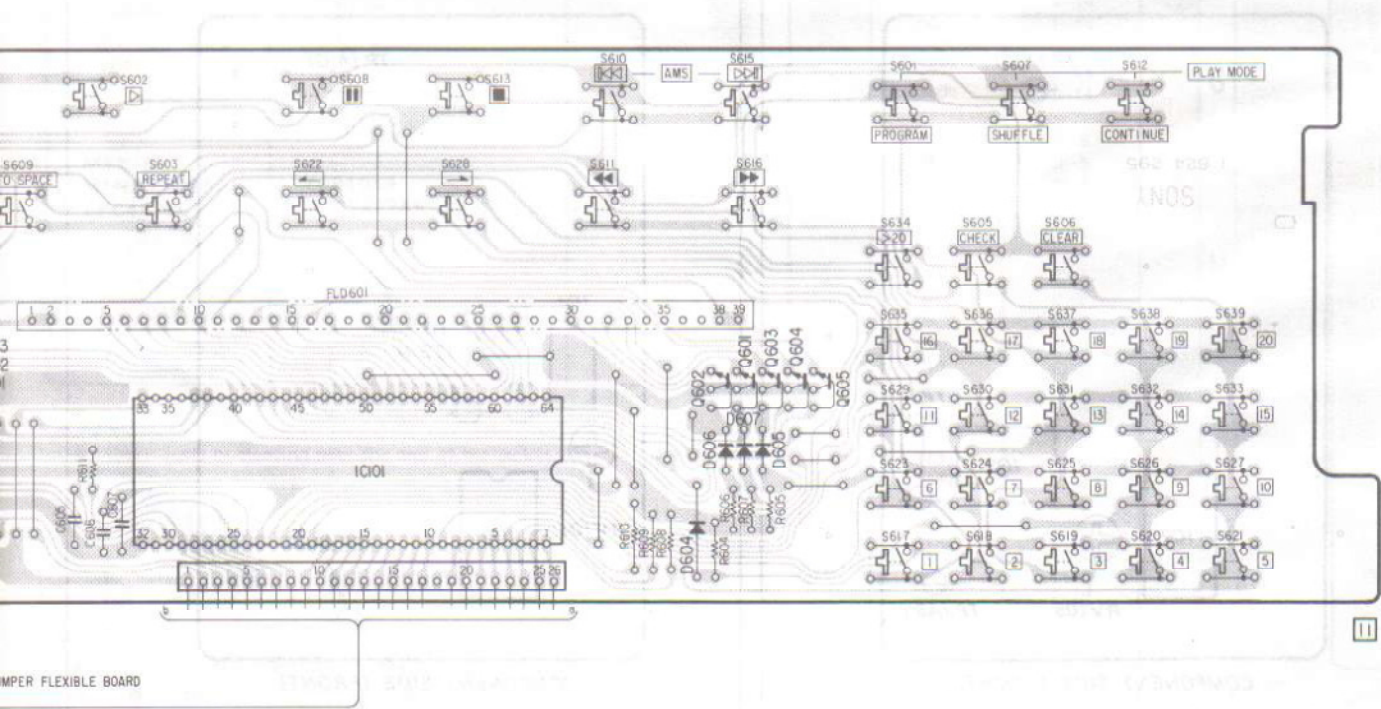
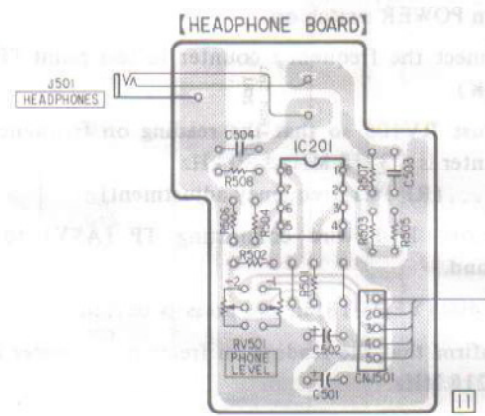
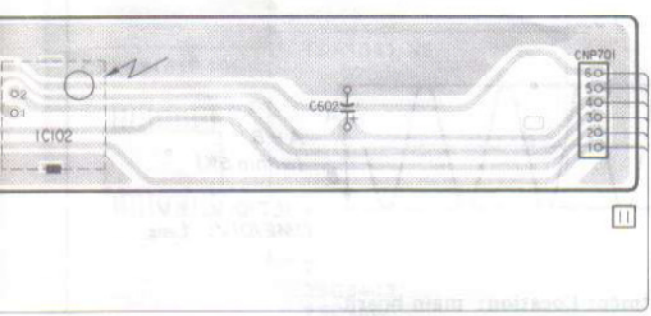
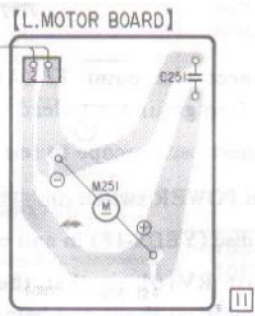
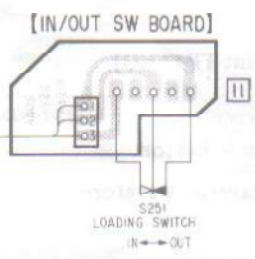
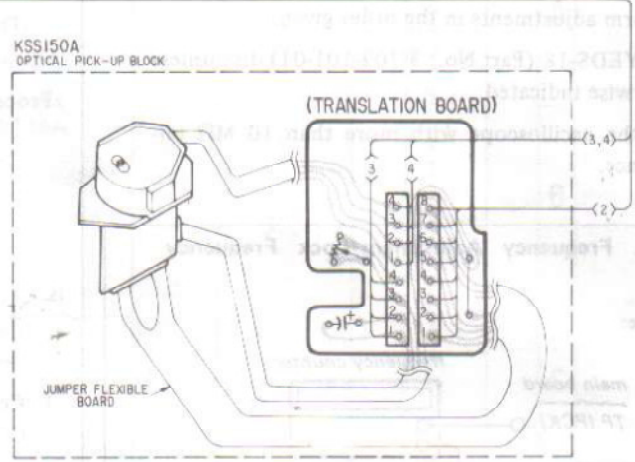
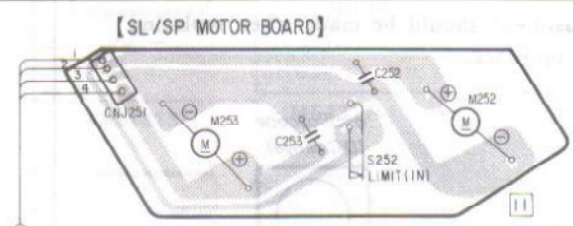
Ref.No.	Location
IC1	F-6
IC2	H-5
IC3	G-3
IC4	F-2
IC5	E-2
IC6	C-2
IC7	J-7
IC8	H-7
IC9	D-4
IC10	D-7
IC11	B-4
IC12	F-4
IC13	F-3
IC101	I-12
IC102	E-10
IC201	E-16
Q1	D-4
Q2	D-4
Q3	E-6
Q4	D-3
Q5	C-3
Q6	B-2
Q7	G-6
Q8	H-4
Q9	I-4
Q10	J-2
Q11	G-4
Q12	B-2
Q13	B-2
Q14	B-3
Q15	B-2
Q20	B-3
Q21	C-4
Q22	C-2
Q23	C-2
Q24	D-3
Q25	D-3
Q26	D-3
Q601	I-14
Q602	I-14
Q603	I-14
Q604	I-14
Q605	I-14
D1	D-6
D2	D-5
D3	D-6
D4	D-6
D5	D-6
D6	C-5
D7	C-5
D8	C-5
D9	C-5
D10	E-7
D11	G-7
D12	J-2
D13	E-3
D14	C-4
D105	C-5
D106	C-5
D601	I-10
D602	I-10
D603	H-10
D604	I-14
D605	I-14
D606	I-14
D607	I-14
D608	I-9



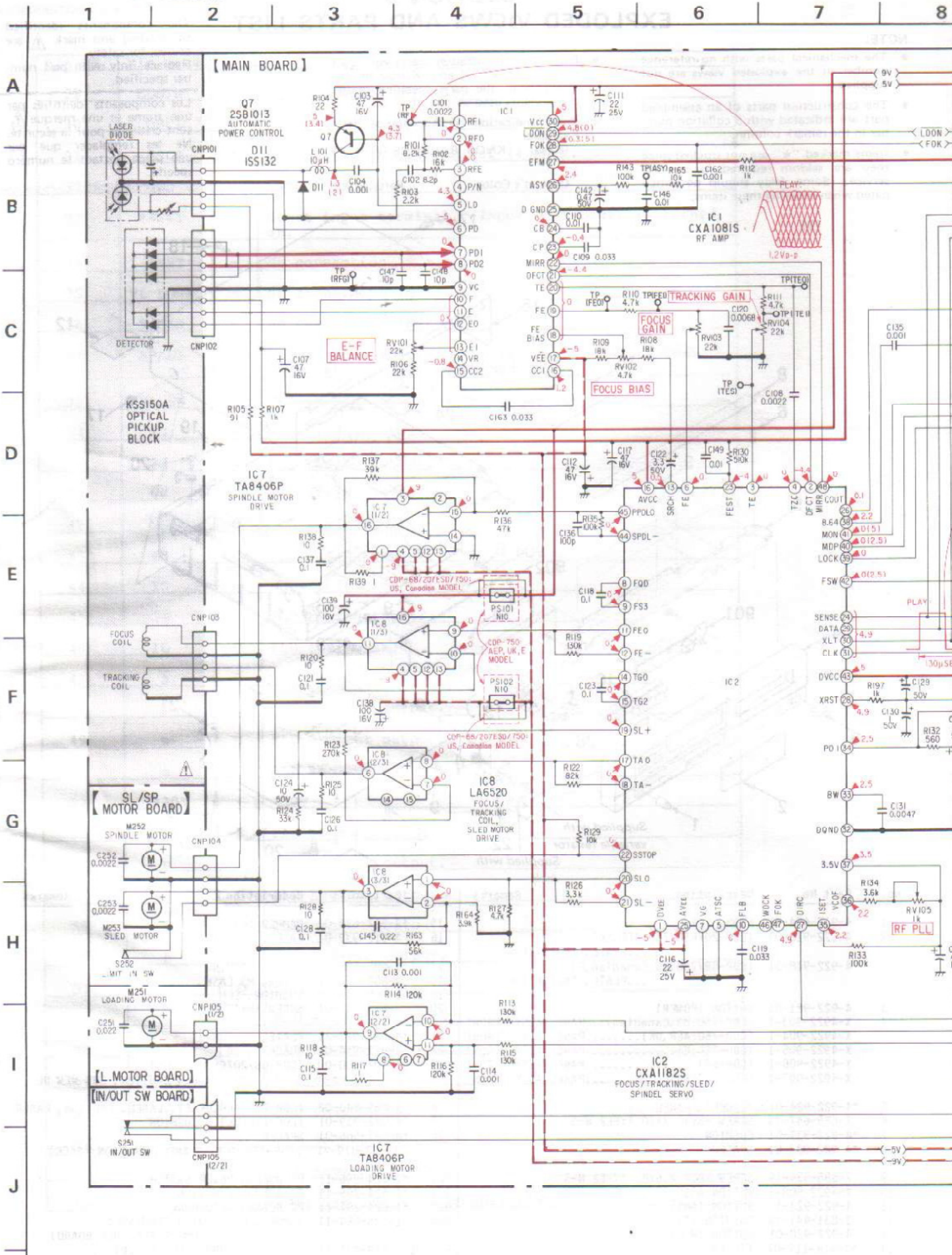
IG BOARDS • See page 18 for IC BLOCK DIAGRAMS

2 3 4 5 6 7 8 9





2-2. SCHEMATIC DIAGRAM



9

10

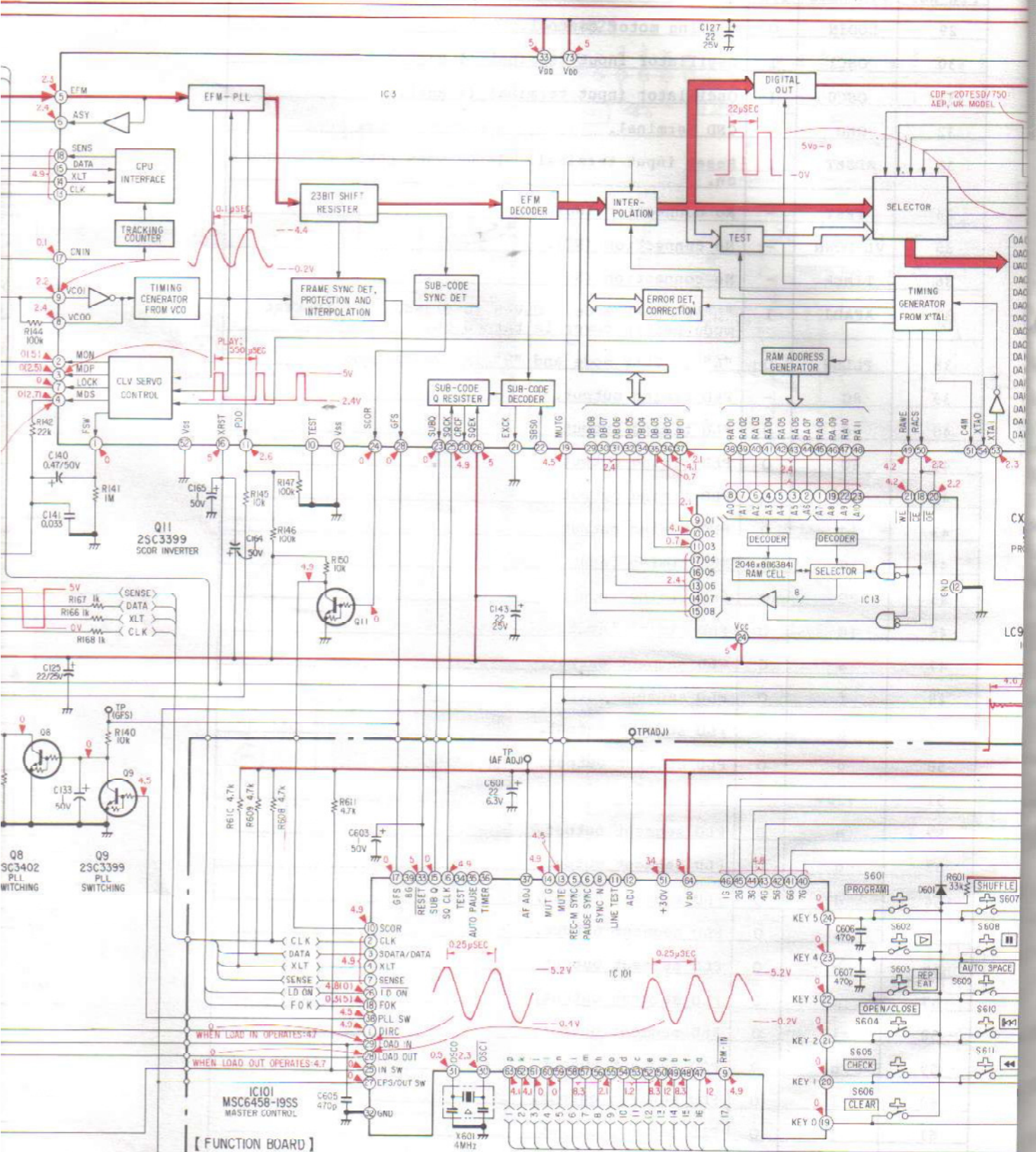
11

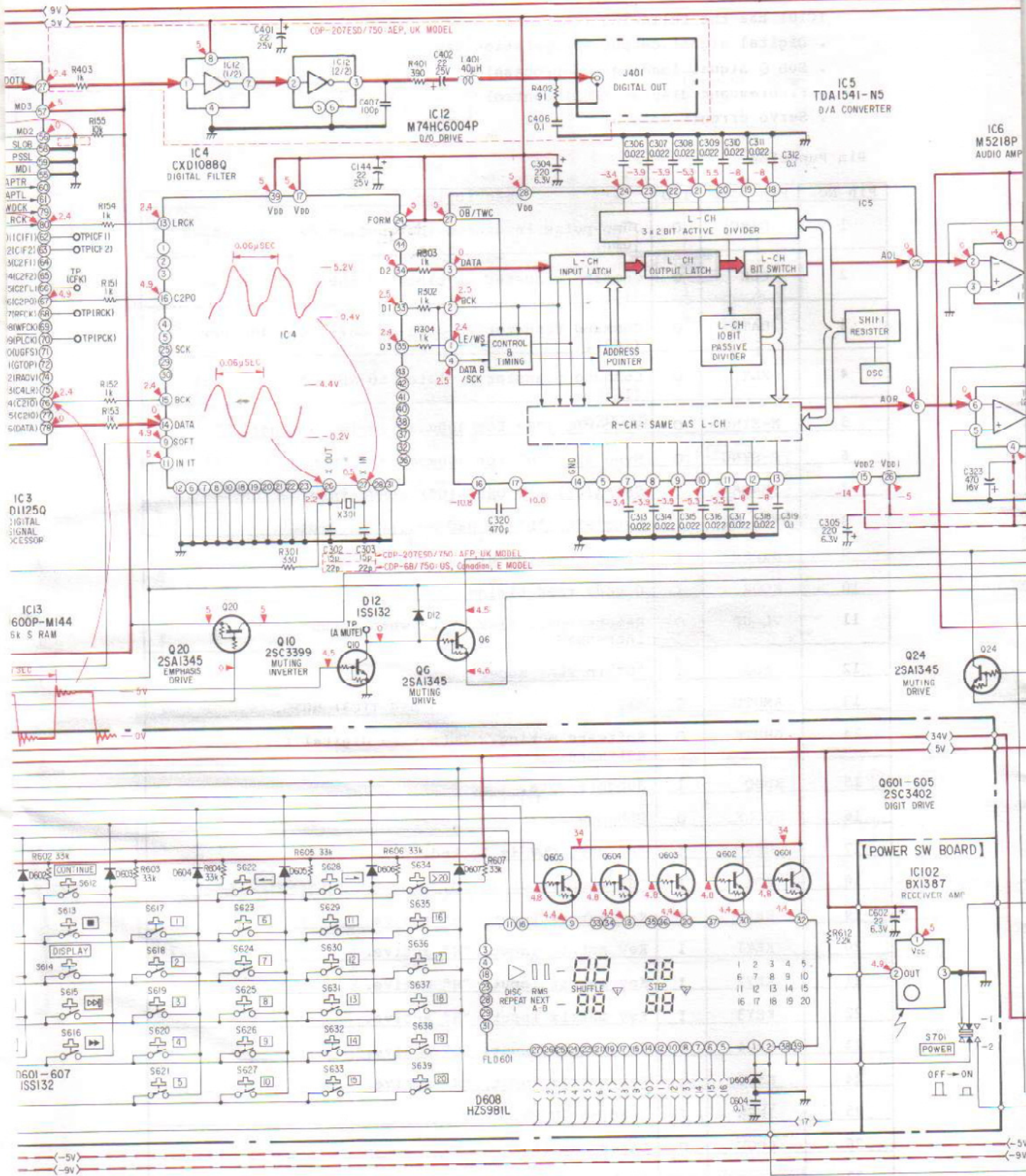
12

13

14

15

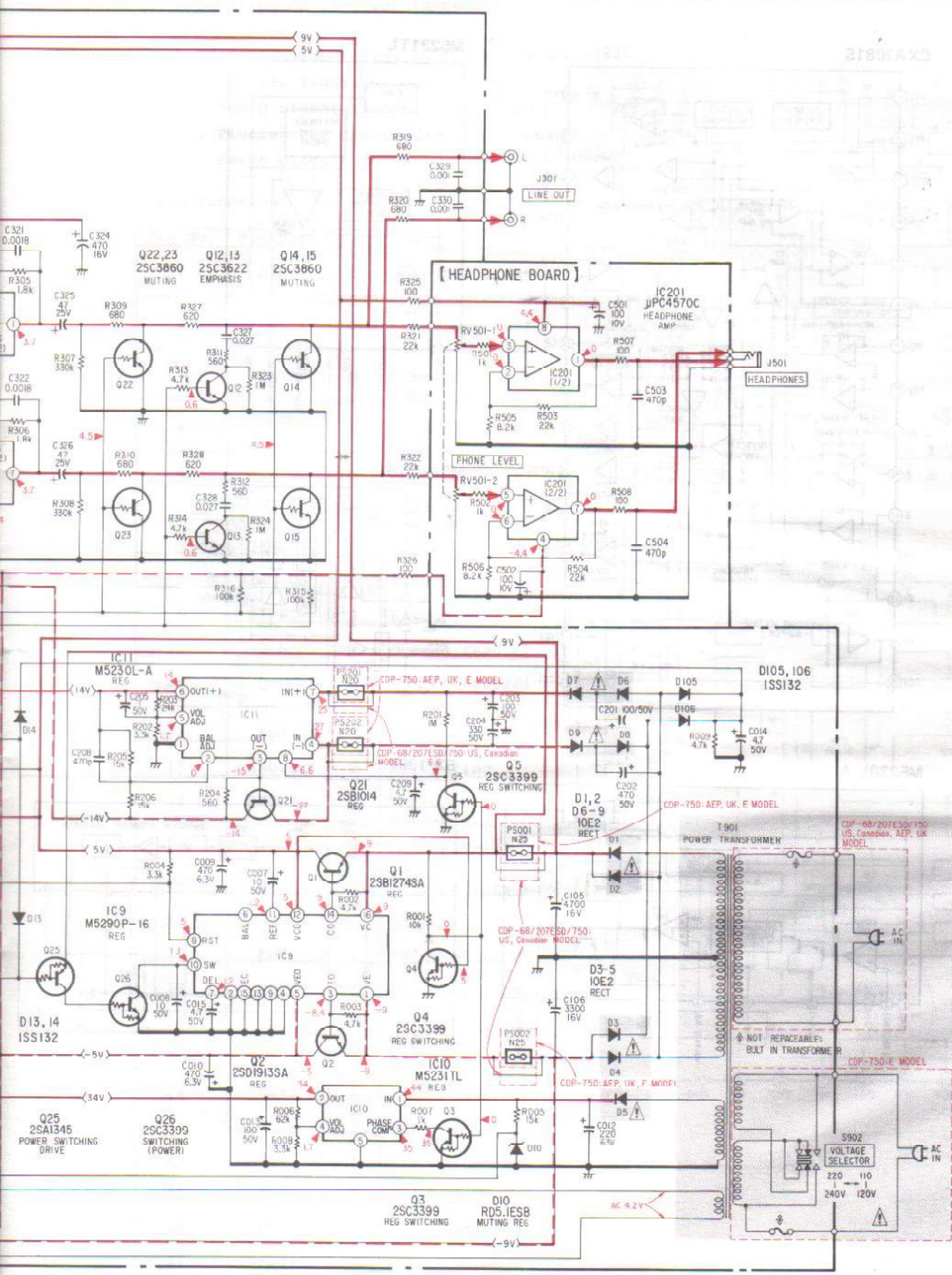




CDP-68/207ESD/750

24 25 26 27 28 29 30 31

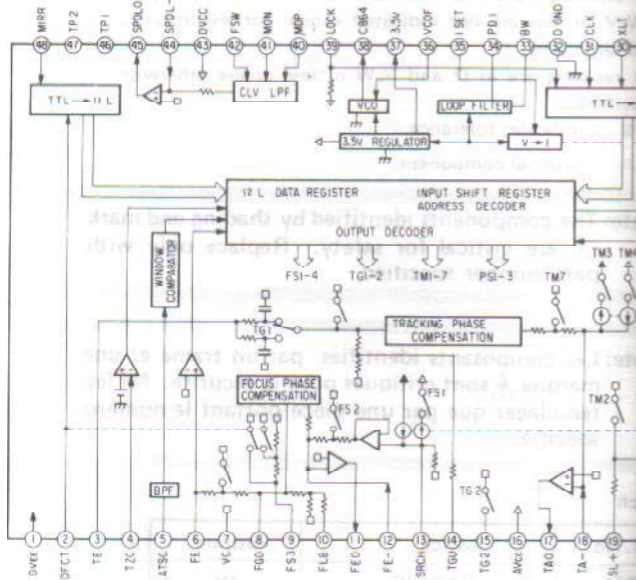
A
B
C
D
E
F
G
H
I
J



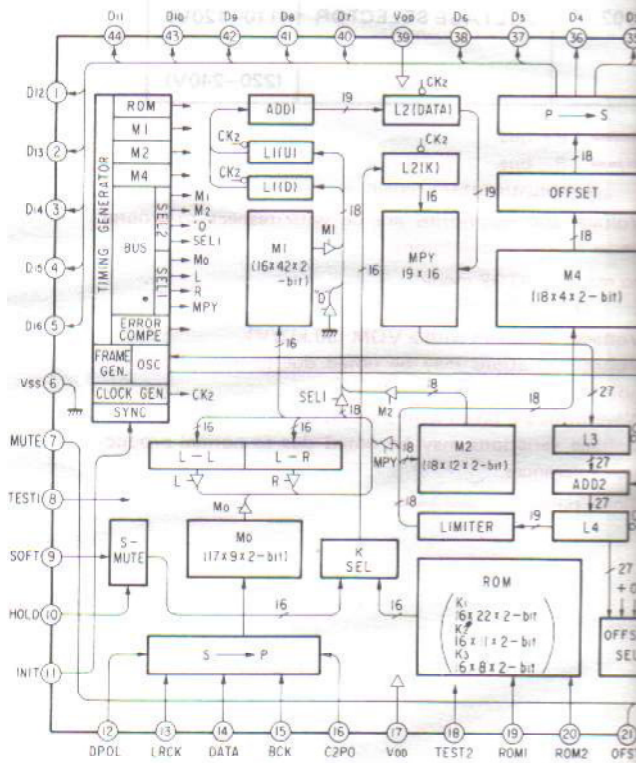
CDP-68/207ESD/750

• IC BLOCK DIAGRAMS

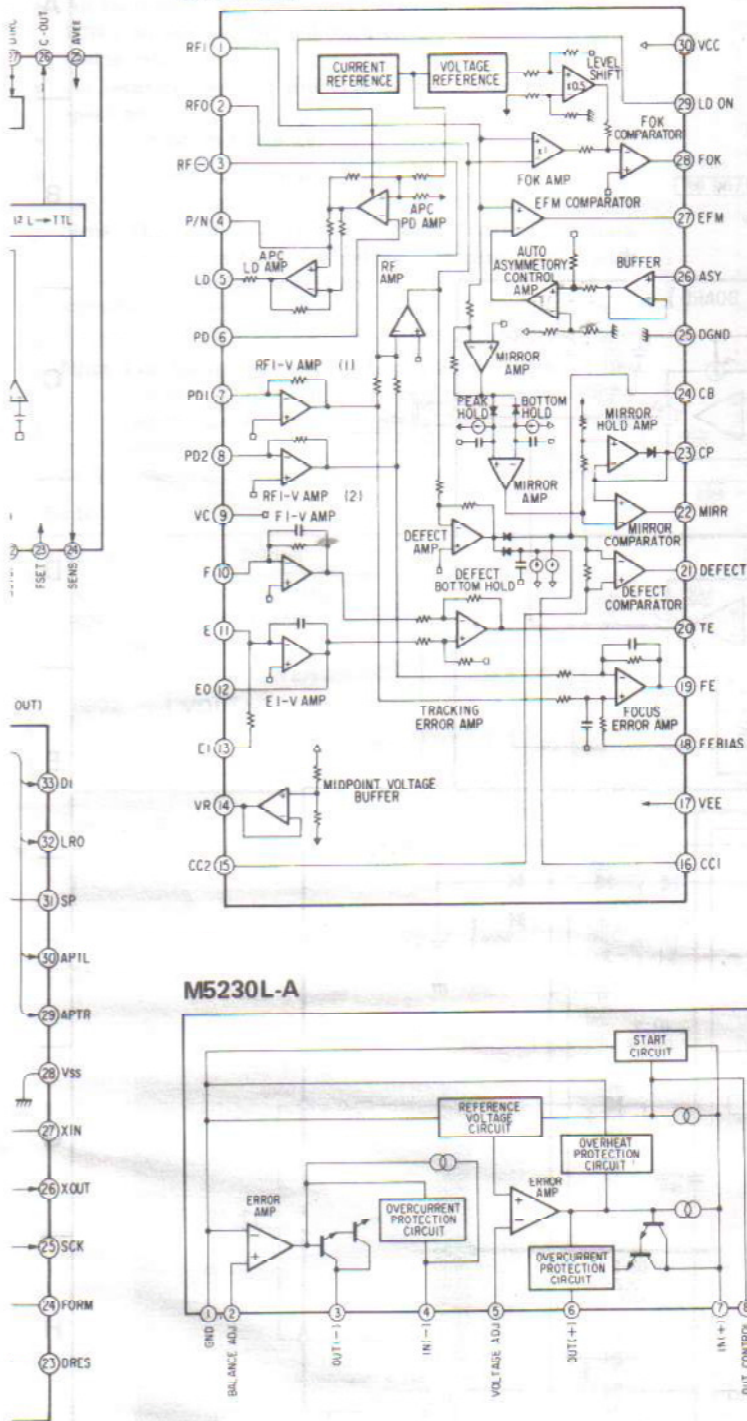
CXA1182S



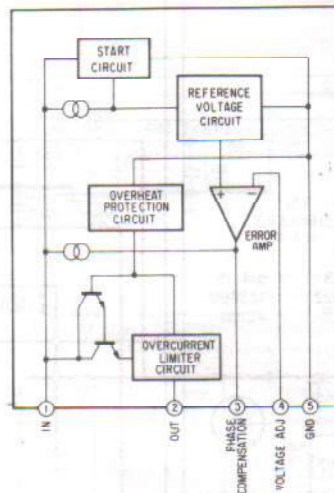
CXD1088Q



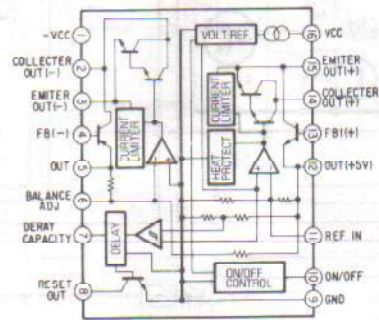
CXA1081S



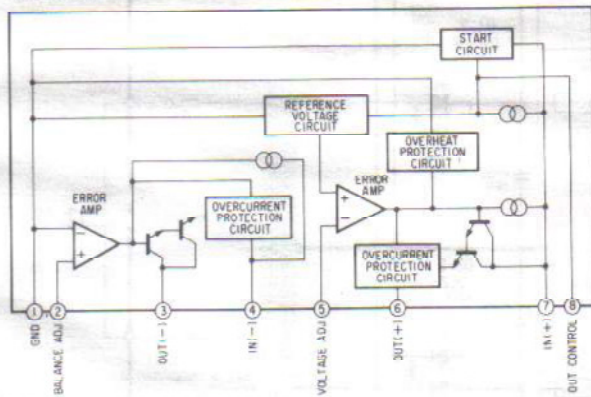
M5231TL



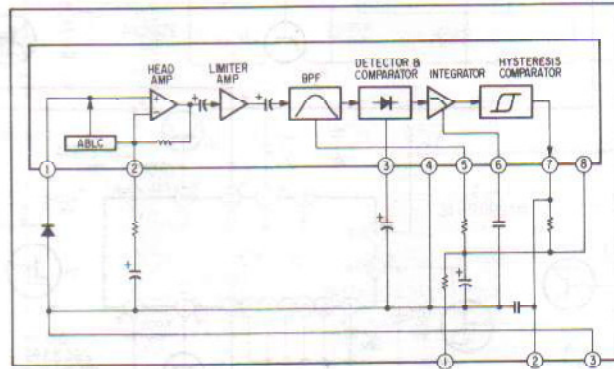
M5290-16



M5230L-A



BX-1387




SECTION 3 EXPLODED VIEWS AND PARTS LIST


NOTE:

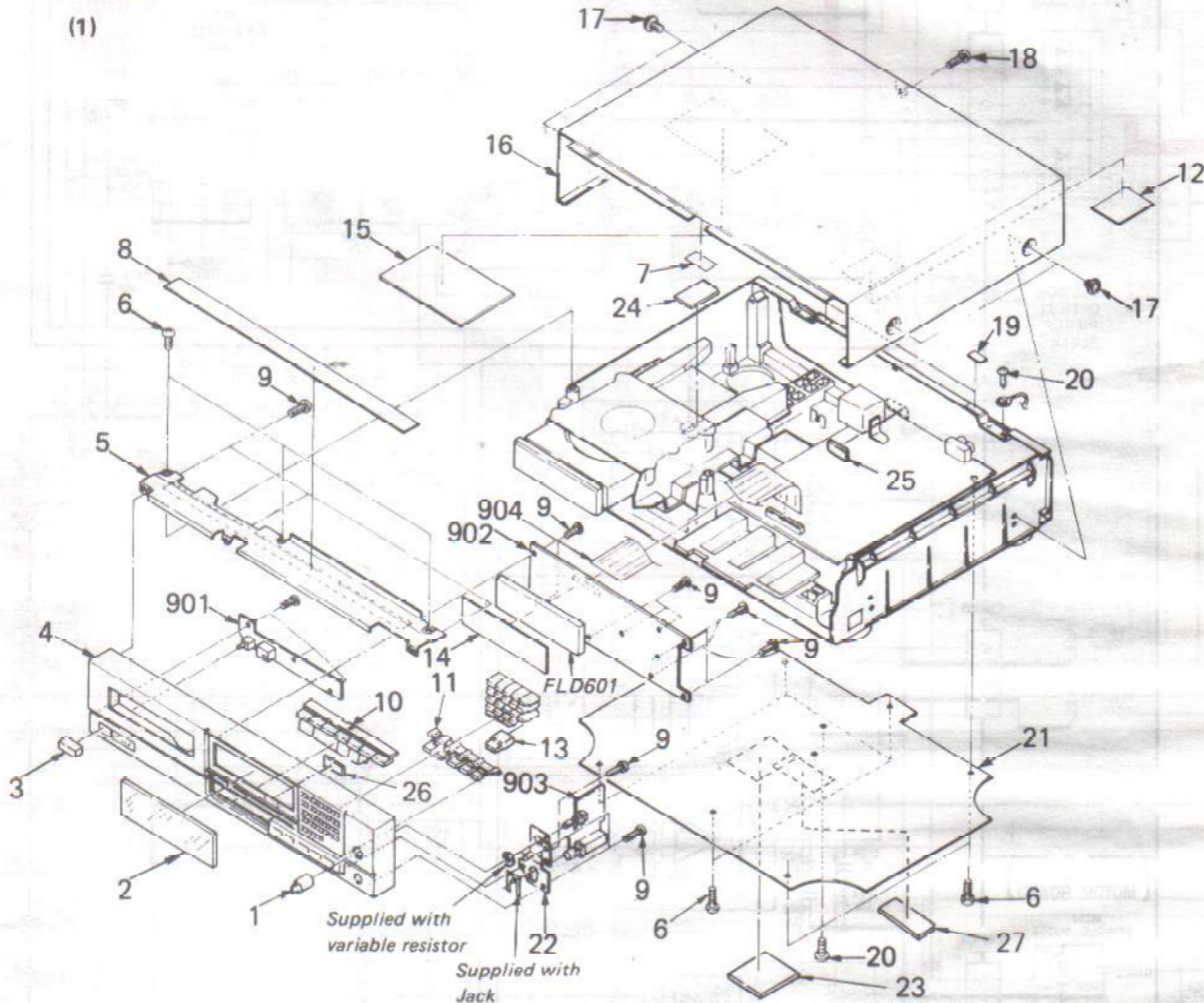
- The mechanical parts with no reference number in the exploded views are not supplied.
- The construction parts of an assembled part are indicated with a collation number in the remark column.
- Items marked "★" are not stocked since they are seldom required for routine service. Some delay should be anticipated when ordering these items.

- Due to standardization, parts with part number suffix -XX and -X may be different from the parts specified in the components used on the set.
- Color Indication of Appearance Parts Example:
(RED) ... KNOB, BALANCE (WHITE)



The components identified by shading and mark  are critical for safety. Replace only with part number specified.

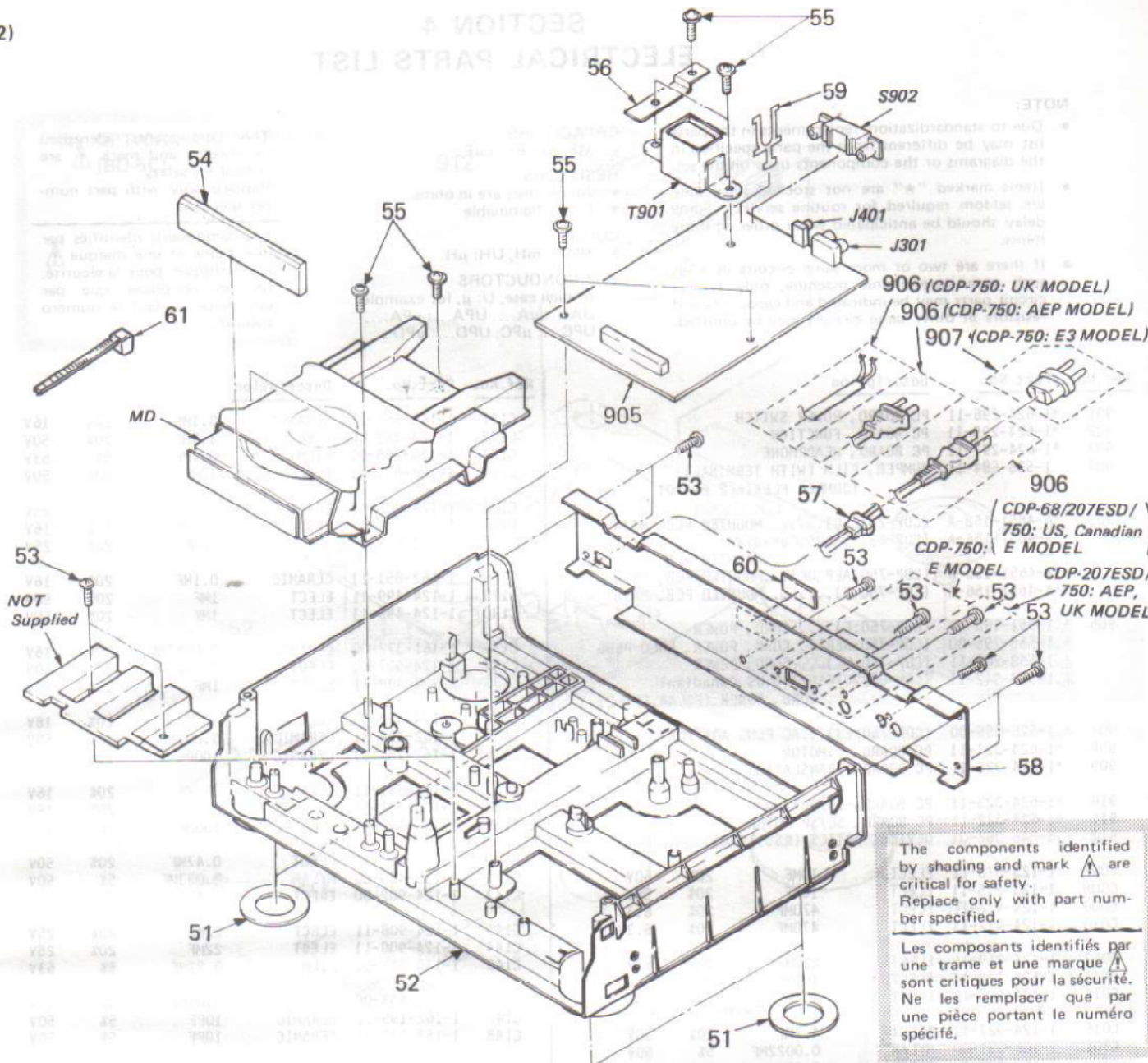
Les composants identifiés par une trame et une marque  sont critiques pour la sécurité. Ne les remplacer que par une pièce portant le numéro spécifié.



No.	Part No.	Description	Remarks
1	4-917-454-01	KNOB, LOV	
2	4-922-918-01	(CDP-207ESD/750:AEP,UK) ...PLATF, INDICATION	
	4-922-918-31	(CDP-68/750:US,Canadian,E) ...PLATE, INDICATION	
3	4-922-921-01	BUTTON (POWER)	
4	X-4922-903-1	(CDP-750:US,Canadian)...PANEL ASSY, FRONT	
	X-4922-904-1	(CDP-750:AEP,UK)...PANEL ASSY, FRONT	
	X-4922-905-1	(CDP-750:E)...PANEL ASSY, FRONT	
	X-4922-906-1	(CDP-68)...PANEL ASSY, FRONT	
	X-4922-907-1	(CDP-207ESD)...PANEL ASSY, FRONT	
5	*4-922-924-01	BRACKET, PANEL	
6	7-685-647-79	SCREW +BVTP 3X10 TYPE2 N-S	
7	*4-922-937-01	CUSHION	
8	*4-922-933-01	SPACER	
9	7-685-534-19	SCREW +BTP 2.6X8 TYPE2 N-S	
10	X-4922-908-1	BUTTON ASSY	
11	4-922-923-11	BUTTON (AMS)	
12	3-831-441-XX	CUSHION (T)	
13	4-922-920-01	BUTTON (M.C)	
14	*4-918-119-01	FILTER	

No.	Part No.	Description	Remarks
15	*4-917-634-01	DAMPER (C)	
16	4-912-939-01	CASE	
17	7-685-646-79	SCREW, TAPPING	
18	4-886-821-01	SCREW, M3 CASE	
19	3-568-749-00	CUSHION, ECM	
20	7-682-147-01	SCREW +DVT 3X6 (S)	
21	*4-922-927-31	PLATE, BOTTOM	
22	*4-922-914-01	BRACKET, VR	
23	3-703-680-00	(CDP-68/207ESD/750:US) ...LABEL, CAUTION, SUB NEW UL	
24	4-885-843-02	(CDP-750:AEP,UK,E)...LABEL, CAUTION, LASER	
25	*4-922-939-01	(CDP-750:UK)...CUSHION	
26	*4-923-565-01	SPACER	
27	3-703-079-21	(CDP-750:UK)...LABEL, CAUTION (RACK)	
901	*1-624-296-11	PC BOARD, POWER SWITCH	
902	*1-624-295-11	PC BOARD, FUNCTION	
903	*1-624-297-11	PC BOARD, HEADPHONE	
904	1-535-684-11	JUMPER, FILM (WITH TERMINAL) (JUMPER FLEXIBLE BOARD)	
FLD601	1-519-411-11	INDICATOR TUBE, FLUORESCENT	

(2)

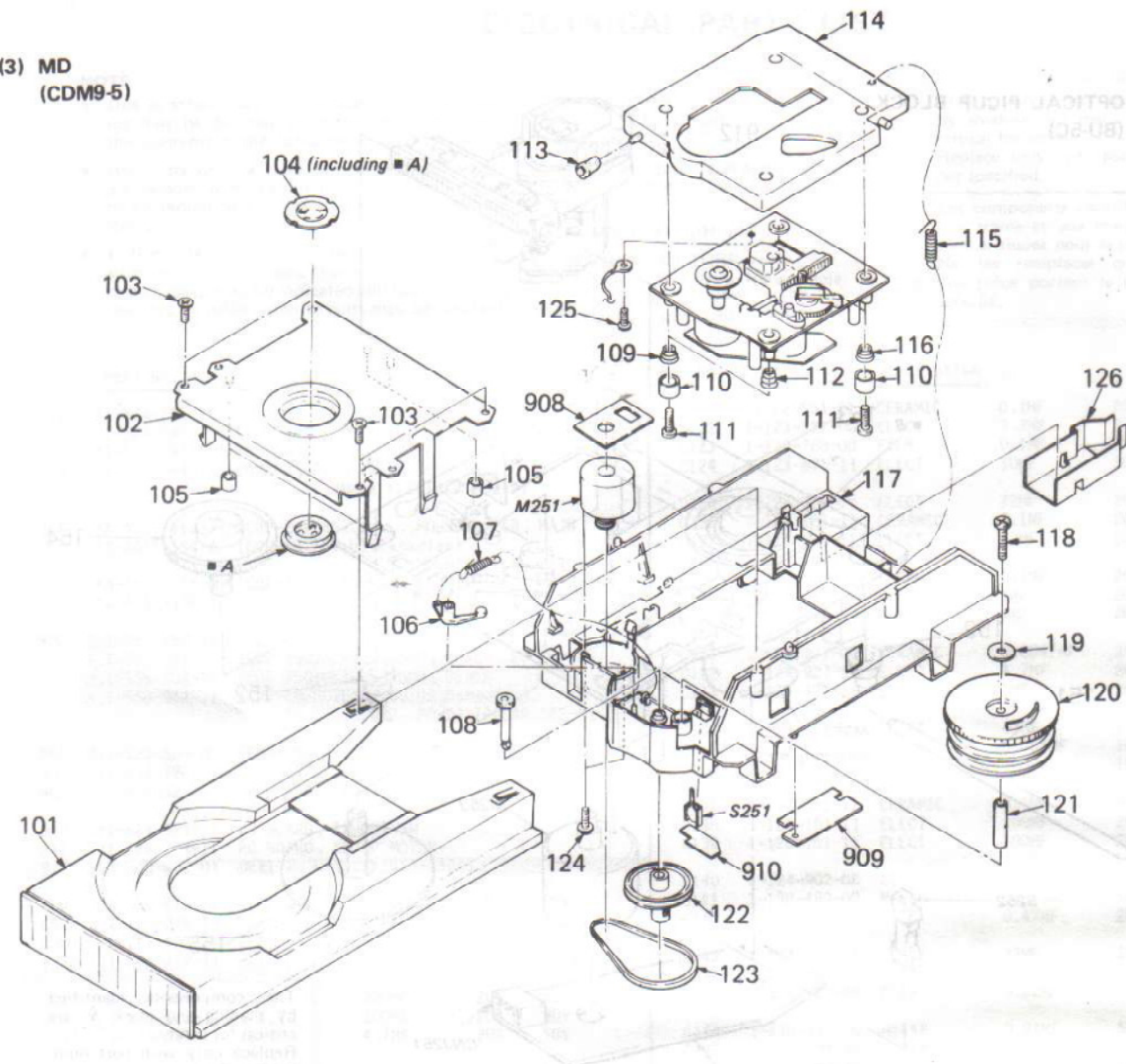


The components identified by shading and mark \triangle are critical for safety. Replace only with part number specified.

Les composants identifiés par une trame et une marque \triangle sont critiques pour la sécurité. Ne les remplacer que par une pièce portant le numéro spécifié.

No.	Part No.	Description	Remarks	No.	Part No.	Description	Remarks
51	4-922-915-01	FOOT (FELT)		905	*A-4651-152-A	(CDP-207ESD).....MOUNTED PCB, MAIN	
52	*4-922-928-01	CHASSIS			*A-4651-154-A	(CDP-68/750:US,Canadian).....MOUNTED PCB, MAIN	
53	7-685-647-79	SCREW +BVTP 3X10 TYPE2 N-S			*A-4651-155-A	(CDP-750:AEP,UK).....MOUNTED PCB, MAIN	
54	4-922-410-41	(CDP-750:US)....PANEL, LOADING			*A-4651-156-A	(CDP-750:E).....MOUNTED PCB, MAIN	
	4-922-919-01	(CDP-207ESD/750:AEP,UK,Canadian,E)....PANEL, LOADING		906	\triangle 1-551-188-XX	(CDP-750:E)....CORD, POWER	
	4-922-919-11	(CDP-68).....PANEL, LOADING			\triangle 1-555-795-00	(CDP-750:AEP)....CORD, POWER, EULO PLUG	
55	7-685-647-79	SCREW, TAPPING			\triangle 1-558-204-11	(CDP-750:UK)....CORD, POWER	
56	*4-922-423-01	REINFORCEMENT (TRANSFORMER)			\triangle 1-558-942-11	(CDP-68/207ESD/750:US,Canadian)....CORD, POWER (POLAR.SPT-2)	
57	\triangle 3-703-244-00	(CDP-68/207ESD/750:US,Canadian,AEP,UK)....BUSHING (2104), CORD		907	\triangle 1-526-565-00	(CDP-750:E3)....AC PLUG ADAPTOR	
	\triangle 3-703-571-11	(CDP-750:E)....BUSHING (S)(4516), CORD		J301	1-566-921-11	JACK, PIN 2P (LINE OUT)	
58	*4-922-501-11	(CDP-207ESD).....PANEL, BACK		J401	1-566-922-11	(CDP-207ESD/750:AEP,UK)....JACK, PIN 1P (DIGITAL OUT)	
	*4-922-501-21	(CDP-750:US).....PANEL, BACK		S902	\triangle 1-571-309-11	(CDP-750:E)....SWITCH (VOLTAGE SELECTOR)	
	*4-922-501-31	(CDP-68).....PANEL, BACK		T901	\triangle 1-449-024-11	(CDP-68/207ESD/750:US,Canadian)....TRANSFORMER, POWER	
	*4-922-501-41	(CDP-750:Canadian)....PANEL, BACK		T901	\triangle 1-449-025-11	(CDP-750:AEP,UK)....TRANSFORMER, POWER	
	*4-922-501-51	(CDP-750:AEP).....PANEL, BACK		T901	\triangle 1-449-026-11	(CDP-750:E).....TRANSFORMER, POWER	
	*4-922-501-61	(CDP-750:UK).....PANEL, BACK					
58	*4-922-501-71	(CDP-750:E).....PANEL, BACK					
59	*1-535-688-11	TERMINAL					
60	*4-885-838-00	(CDP-750:AEP,UK,E)....LABEL, CLASS 1					
61	3-701-748-00	(CDP-750:UK)....CLAMP					

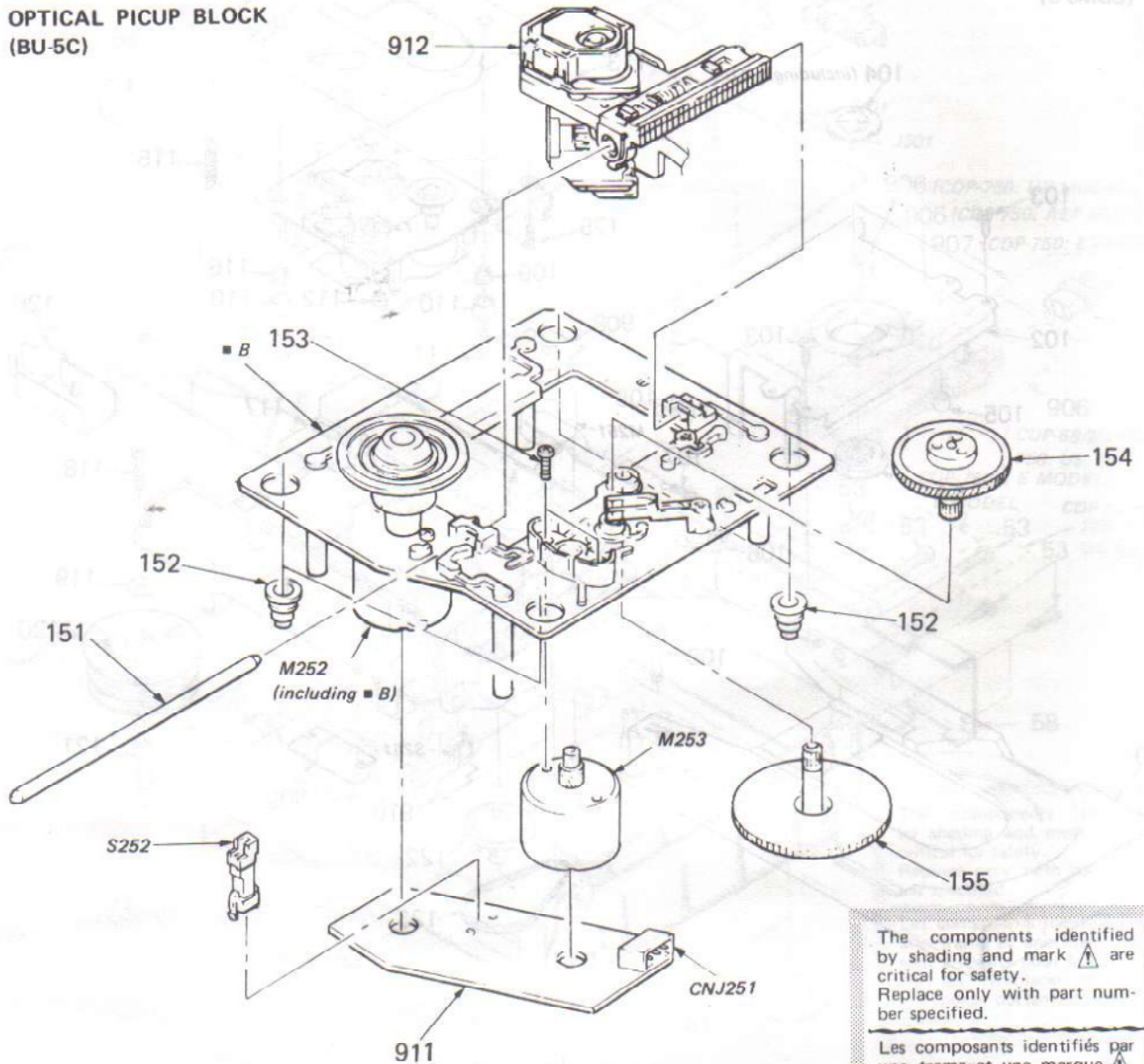
(3) MD
(CDM9-5)



No.	Part No.	Description	Remarks
101	*4-922-515-01	TABLE, DISK	
102	*4-922-510-01	REINFORCEMENT	
103	7-685-646-79	SCREW +BTP 3X8 TYPE2 N-S	
104	A-4665-012-C	MAGNET ASSY	
105	*3-576-990-01	CUSHION	
106	4-917-519-01	LEVER, SET	
107	4-917-514-01	SPRING, TENSION	
108	4-922-508-01	GEAR (DRIVING)	
109	4-917-541-01	SPRING (B)	
110	4-917-508-01	HOLDER, SP	
111	7-685-535-19	SCREW +BTP 2.6X10 TYPE2 N-S	
112	4-918-669-01	SPRING (W)	
113	4-917-515-01	ROLLER	
114	*4-922-514-01	BRACKET (BU-5)	
115	4-917-526-01	SPRING, TENSION	

No.	Part No.	Description	Remarks
116	4-917-507-01	SPRING (H)	
117	*4-922-516-01	CHASSIS (MD)	
118	7-685-552-19	SCREW +BTP 3X25 TYPE2 N-S	
119	0-056-028-00	WASHER, PLAIN, 14 DIA.	
120	4-922-511-01	GEAR (LOADING)	
121	*4-917-523-01	COLLAR, CAM	
122	4-922-512-01	PULLEY	
123	4-917-522-01	BELT	
124	7-621-759-40	+PSW, 2.6X6	
125	7-621-770-67	SCREW +BVTT 2.6X6 (S)	
126	4-923-541-11	SPRING	
908	*1-624-324-11	PC BOARD, L.MOTOR	
909	*1-624-325-11	PC BOARD, TRANSLATION 5	
910	*1-624-323-11	PC BOARD, IN/OUT SW	
M251	A-4608-346-A	MOTOR ASSY, L	
S251	1-571-300-11	SWITCH, ROTARY (LOADING IN/OUT)	

(4) OPTICAL PICKUP BLOCK
(BU-5C)



The components identified by shading and mark ▲ are critical for safety. Replace only with part number specified.

Les composants identifiés par une trame et une marque ▲ sont critiques pour la sécurité. Ne les remplacer que par une pièce portant le numéro spécifié.

No.	Part No.	Description	Remarks	No.	Part No.	Description	Remarks
151	4-917-565-01	SHAFT, SLED		911	*1-624-322-11	PC BOARD, SL/SP MOTOR	
152	4-917-562-01	INSULATOR		912	A.8-848-062-01	DEVICE, OPTICS (KSS-150A)	
153	7-621-255-15	SCREW +P 2X3		CNJ251	*1-564-720-21	PIN, CONNECTOR (SMALL TYPE) 4P	
154	4-917-567-01	GEAR (M)		M252	X-4917-523-1	ASSY, MOTOR (SPINDLE)	
155	4-917-564-01	GEAR (P), FLATNESS		M253	X-4917-504-1	ASSY, MOTOR (SLED)	
				S252	1-571-274-11	SWITCH, LEAF (LIMIT IN)	

SECTION 4 ELECTRICAL PARTS LIST

NOTE:

- Due to standardization, replacements in the parts list may be different from the parts specified in the diagrams or the components used on the set.
- Items marked "★" are not stocked since they are seldom required for routine service. Some delay should be anticipated when ordering these items.
- If there are two or more same circuits in a set such as a stereophonic machine, only typical circuit parts may be indicated and capacitors and resistors in other same circuits may be omitted.

CAPACITORS:

MF: μ F, PF: μ μ F.

RESISTORS

- All resistors are in ohms.
- F: nonflammable.

COILS

- MMH: mH, UH: μ H

SEMICONDUCTORS

In each case, U: μ , for example:

UA...: μ A..., UPA...: μ PA...,

UPC...: μ PC, UPD...: μ PD...


The components identified by shading and mark are critical for safety. Replace only with part number specified.

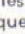
Les composants identifiés par une trame et une marque sont critiques pour la sécurité. Ne les remplacer que par une pièce portant le numéro spécifié.

Ref.No.	Part No.	Description
901	*1-624-296-11	PC BOARD, POWER SWITCH
902	*1-624-295-11	PC BOARD, FUNCTION
903	*1-624-297-11	PC BOARD, HEADPHONE
904	1-535-684-11	JUMPER, FILM (WITH TERMINAL) (JUMPER FLEXIBLE BOARD)
905	*A-4651-152-A	(CDP-207ESD).....MOUNTED PCB, MAIN
	*A-4651-154-A	(CDP-68/750:US,Canadian) ...MOUNTED PCB, MAIN
	*A-4651-155-A	(CDP-750:AEP,UK)....MOUNTED PCB, MAIN
	*A-4651-156-A	(CDP-750:E).....MOUNTED PCB, MAIN
906	A.1-551-188-XX	(CDP-750:E)....CORD, POWER
	A.1-555-795-00	(CDP-750:AEP)....CORD, POWER, EULO PLUG
	A.1-558-204-11	(CDP-750:UK)....CORD, POWER
	A.1-558-942-11	(CDP-68/207ESD/750:US,Canadian) ...CORD, POWER (POLAR.SPT-2)
907	A.1-526-565-00	(CDP-750:E3)....AC PLUG ADAPTOR
908	*1-624-324-11	PC BOARD, L.MOTOR
909	*1-624-325-11	PC BOARD, TRANSLATION 5
910	*1-624-323-11	PC BOARD, IN/OUT SW
911	*1-624-322-11	PC BOARD, SL/SP MOTOR
912	A.8-848-062-01	DEVICE, OPTICS (KSS-150A)
C007	1-123-875-11	ELECT 10MF 20% 50V
C008	1-123-875-11	ELECT 10MF 20% 50V
C009	1-124-472-11	ELECT 470MF 20% 6.3V
C010	1-124-472-11	ELECT 470MF 20% 6.3V
C012	1-124-919-11	ELECT 220MF 20% 63V
C013	1-124-122-11	ELECT 100MF 20% 50V
C014	1-124-927-11	ELECT 4.7MF 20% 50V
C015	1-124-927-11	ELECT 4.7MF 20% 50V
C101	1-106-351-00	MYLAR 0.0022MF 5% 50V
C102	1-162-198-31	CERAMIC 8.2PF 10% 50V
C103	1-124-477-11	ELECT 47MF 20% 16V
C104	1-162-294-31	CERAMIC 0.001MF 10% 50V
C105	1-124-898-11	ELECT 4700MF 20% 16V
C106	1-124-887-00	ELECT 3300MF 20% 16V
C107	1-124-477-11	ELECT 47MF 20% 16V
C108	1-161-375-00	CERAMIC 0.0022MF 30% 16V
C109	1-130-489-00	MYLAR 0.033MF 5% 50V
C110	1-130-483-00	MYLAR 0.01MF 5% 50V
C111	1-124-908-11	ELECT 22MF 20% 25V
C112	1-124-477-11	ELECT 47MF 20% 16V
C113	1-162-294-31	CERAMIC 0.001MF 10% 50V
C114	1-162-294-31	CERAMIC 0.001MF 10% 50V
C115	1-162-851-11	CERAMIC 0.1MF 20% 16V
C116	1-124-908-11	ELECT 22MF 20% 25V
C117	1-124-477-11	ELECT 47MF 20% 16V
C118	1-130-768-00	FILM 0.1MF 5% 63V
C119	1-130-489-00	MYLAR 0.033MF 5% 50V
C120	1-161-329-00	CERAMIC 0.0068MF 20% 16V

Ref.No.	Part No.	Description			
C121	1-162-851-11	CERAMIC	0.1MF	20%	16V
C122	1-123-382-00	ELECT	3.3MF	20%	50V
C123	1-130-768-00	FILM	0.1MF	5%	63V
C124	1-123-875-11	ELECT	10MF	20%	50V
C125	1-124-908-11	ELECT	22MF	20%	25V
C126	1-162-851-11	CERAMIC	0.1MF	20%	16V
C127	1-124-908-11	ELECT	22MF	20%	25V
C128	1-162-851-11	CERAMIC	0.1MF	20%	16V
C129	1-124-499-11	ELECT	1MF	20%	50V
C130	1-124-499-11	ELECT	1MF	20%	50V
C131	1-161-377-00	CERAMIC	0.0047MF	30%	16V
C132	1-124-927-11	ELECT	4.7MF	20%	50V
C133	1-124-499-11	ELECT	1MF	20%	50V
C134	1-124-477-11	ELECT	47MF	20%	16V
C135	1-162-294-31	CERAMIC	0.001MF	10%	50V
C136	1-162-282-31	CERAMIC	100PF	10%	50V
C137	1-162-851-11	CERAMIC	0.1MF	20%	16V
C138	1-126-101-11	ELECT	100MF	20%	16V
C139	1-126-101-11	ELECT	100MF	20%	16V
C140	1-124-902-00	ELECT	0.47MF	20%	50V
C141	1-130-489-00	MYLAR	0.033MF	5%	50V
C142	1-124-902-00	ELECT	0.47MF	20%	50V
C143	1-124-908-11	ELECT	22MF	20%	25V
C144	1-124-908-11	ELECT	22MF	20%	25V
C145	1-130-772-00	FILM	0.22MF	5%	63V
C146	1-130-483-00	MYLAR	0.01MF	5%	50V
C147	1-162-199-31	CERAMIC	10PF	5%	50V
C148	1-162-199-31	CERAMIC	10PF	5%	50V
C149	1-161-379-00	CERAMIC	0.01MF	20%	16V
C162	1-162-294-31	CERAMIC	0.001MF	10%	50V
C163	1-130-489-00	MYLAR	0.033MF	5%	50V
C164	1-124-499-11	ELECT	1MF	20%	50V
C165	1-124-499-11	ELECT	1MF	20%	50V
C201	1-124-122-11	ELECT	100MF	20%	50V
C202	1-124-913-11	ELECT	470MF	20%	50V
C203	1-124-122-11	ELECT	100MF	20%	50V
C204	1-124-912-11	ELECT	330MF	20%	50V
C205	1-124-499-11	ELECT	1MF	20%	50V
C208	1-162-290-31	CERAMIC	470PF	10%	50V
C209	1-124-927-11	ELECT	4.7MF	20%	50V
C251	1-136-157-00	FILM	0.022MF	5%	50V
C252	1-106-351-00	MYLAR	0.0022MF	5%	50V
C253	1-106-351-00	MYLAR	0.0022MF	5%	50V
C302	1-162-203-31	(CDP-207ESD/750:AEP,UK) ...CERAMIC	15PF	5%	50V
C302	1-162-207-31	(CDP-68/750:US,Canadian,E) ...CERAMIC	22PF	5%	50V

Ref.No.	Part No.	Description	Ref.No.	Part No.	Description
C303	1-162-203-31	(CDP-207ESD/750:AEP,UK) ...CERAMIC 15PF 5%	CNP103*1-564-706-41		PIN, CONNECTOR (SMALL TYPE) 4P
C303	1-162-207-31	(CDP-68/750:US,Canadian,E) ...CERAMIC 22PF 5%	CNP104*1-564-706-11		PIN, CONNECTOR (SMALL TYPE) 4P
C304	1-124-444-00	ELECT 220MF 20%	CNP105*1-564-339-61		PIN, CONNECTOR 5P
C305	1-124-444-00	ELECT 220MF 20%	CNP106 1-566-908-11		SOCKET, CONNECTOR 32P
C306	1-161-494-00	CERAMIC 0.022MF	CNP301*1-564-707-11		PIN, CONNECTOR (SMALL TYPE) 5P
C307	1-161-494-00	CERAMIC 0.022MF	CNP701*1-564-499-11		PIN, CONNECTOR 6P
C308	1-161-494-00	CERAMIC 0.022MF	D1	A.8-719-200-02	DIODE 10E2
C309	1-161-494-00	CERAMIC 0.022MF	D2	A.8-719-200-02	DIODE 10E2
C310	1-161-494-00	CERAMIC 0.022MF	D3	A.8-719-200-02	DIODE 10E2
C311	1-161-494-00	CERAMIC 0.022MF	D4	A.8-719-200-02	DIODE 10E2
C312	1-162-851-11	CERAMIC 0.1MF 20%	D5	A.8-719-200-02	DIODE 10E2
C313	1-161-494-00	CERAMIC 0.022MF	D6	A.8-719-200-02	DIODE 10E2
C314	1-161-494-00	CERAMIC 0.022MF	D7	A.8-719-200-02	DIODE 10E2
C315	1-161-494-00	CERAMIC 0.022MF	D8	A.8-719-200-02	DIODE 10E2
C316	1-161-494-00	CERAMIC 0.022MF	D9	A.8-719-200-02	DIODE 10E2
C317	1-161-494-00	CERAMIC 0.022MF	D10	8-719-109-83	DIODE RD5.1ESB
C318	1-161-494-00	CERAMIC 0.022MF	D11	8-719-940-76	DIODE 1SS132
C319	1-162-851-11	CERAMIC 0.1MF 20%	D12	8-719-940-76	DIODE 1SS132
C320	1-162-290-31	CERAMIC 470PF 10%	D13	8-719-940-76	DIODE 1SS132
C321	1-130-474-00	MYLAR 0.0018MF 5%	D14	8-719-940-76	DIODE 1SS132
C322	1-130-474-00	MYLAR 0.0018MF 5%	D105	8-719-940-76	DIODE 1SS132
C323	1-126-103-11	ELECT 470MF 20%	D106	8-719-940-76	DIODE 1SS132
C324	1-126-103-11	ELECT 470MF 20%	D601	8-719-940-76	DIODE 1SS132
C325	1-123-332-00	ELECT 47MF 20%	D602	8-719-940-76	DIODE 1SS132
C326	1-123-332-00	ELECT 47MF 20%	D603	8-719-940-76	DIODE 1SS132
C327	1-130-488-00	MYLAR 0.027MF 5%	D604	8-719-940-76	DIODE 1SS132
C328	1-130-488-00	MYLAR 0.027MF 5%	D605	8-719-940-76	DIODE 1SS132
C329	1-106-343-00	MYLAR 0.001MF 5%	D606	8-719-940-76	DIODE 1SS132
C330	1-106-343-00	MYLAR 0.001MF 5%	D607	8-719-940-76	DIODE 1SS132
C401	1-124-908-11	(CDP-207ESD/750:AEP,UK) ...ELECT 22MF 20%	D608	8-719-933-57	DIODE HZS9B2L
C402	1-124-908-11	(CDP-207ESD/750:AEP,UK) ...ELECT 22MF 20%	FLD601	1-519-411-11	INDICATOR TUBE, FLUORESCENT
C406	1-162-851-11	(CDP-207ESD/750:AEP,UK) ...CERAMIC 0.1MF 20%	IC1	8-752-031-80	IC CXA1081S
C407	1-162-282-31	(CDP-207ESD/750:AEP,UK) ...CERAMIC 100PF 10%	IC2	8-752-032-33	IC CXA1182S
C501	1-124-443-00	ELECT 100MF 20%	IC3	8-752-322-04	IC CXD1125Q
C502	1-124-443-00	ELECT 100MF 20%	IC4	8-759-939-35	IC CXD1088Q
C503	1-162-290-31	CERAMIC 470PF 10%	IC5	8-759-939-94	IC TDA1541-N5
C504	1-162-290-31	CERAMIC 470PF 10%	IC6	8-759-601-02	IC M5218P
C601	1-124-638-11	ELECT 22MF 20%	IC7	8-759-208-96	IC TA8406P
C602	1-124-638-11	ELECT 22MF 20%	IC8	8-759-805-18	IC LA6520
C603	1-123-611-00	ELECT 1MF 20%	IC9	8-759-630-21	IC M5290P-16
C604	1-162-851-11	CERAMIC 0.1MF 20%	IC10	8-759-605-43	IC M5231TL
C605	1-162-290-31	CERAMIC 470PF 10%	IC11	8-759-602-66	IC M5230L-A
C606	1-162-290-31	CERAMIC 470PF 10%	IC12	8-759-605-44	(CDP-207ESD/750:AEP,UK)..IC M74HC6004
C607	1-162-290-31	CERAMIC 470PF 10%	IC13	8-752-320-44	IC CXC5816M-10L
CN256	*1-564-336-51	PIN, CONNECTOR 2P	IC101	8-759-945-87	IC MSC6458-17SS
CN258	*1-564-337-51	PIN, CONNECTOR 3P	IC102	8-741-138-70	IC BX-1387
CN260	*1-564-704-11	PIN, CONNECTOR (SMALL TYPE) 2P	IC201	8-759-106-41	IC UPC4570C
CNJ251*1-564-720-21		PIN, CONNECTOR (SMALL TYPE) 4P	J301	1-566-921-11	JACK, PIN 2P (LINE OUT)
CNJ501*1-564-721-11		PIN, CONNECTOR (SMALL TYPE) 5P	J401	1-566-922-11	(CDP-207ESD/750:AEP,UK) ...JACK, PIN 1P (DIGITAL OUT)
CNP001*1-564-340-00		PIN, CONNECTOR 6P	J501	1-563-485-21	JACK, LARGE TYPE (HEADPHONES)
CNP101*1-564-706-31		PIN, CONNECTOR (SMALL TYPE) 4P	L101	1-408-563-00	INDUCTOR 10UH
CNP102*1-564-710-11		PIN, CONNECTOR (SMALL TYPE) 8P	L401	*1-410-858-11	(CDP-207ESD/750:AEP,UK) ...INDUCTOR, SMALL TYPE
			M251	A-4608-346-A	MOTOR ASSY, L
			M252	X-4917-523-1	ASSY, MOTOR (SPINDLE)
			M253	X-4917-504-1	ASSY, MOTOR (SLED)

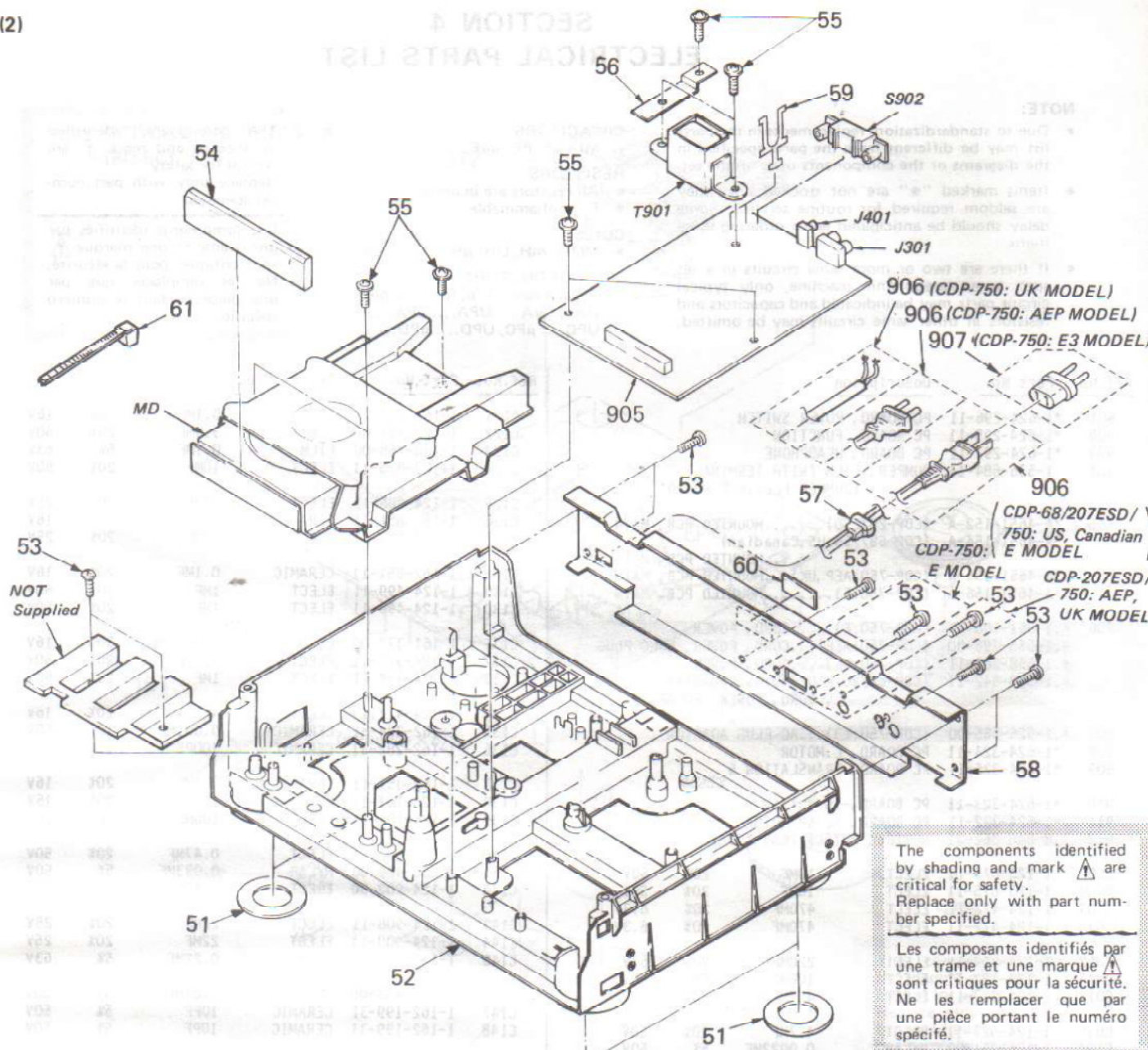
The components identified by shading and mark  are critical for safety. Replace only with part number specified.

Les composants identifiés par une trame et une marque  sont critiques pour la sécurité. Ne les remplacer que par une pièce portant le numéro spécifié.

Ref.No.	Part No.	Description
PS001	1-532-637-00	(CDP-750:AEP,UK,E)...LINK, IC
PS002	1-532-637-00	(CDP-750:AEP,UK,E)...LINK, IC
PS101	1-532-605-00	(CDP-750:AEP,UK,E)...LINK, IC
PS102	1-532-605-00	(CDP-750:AEP,UK,E)...LINK, IC
PS201	1-532-685-00	(CDP-750:AEP,UK,E)...LINK, IC
PS202	1-532-685-00	(CDP-750:AEP,UK,E)...LINK, IC
Q1	8-729-808-72	TRANSISTOR 2SB1274SA
Q2	8-729-808-76	TRANSISTOR 2SD1913SA
Q3	8-729-806-38	TRANSISTOR 2SC3399
Q4	8-729-806-38	TRANSISTOR 2SC3399
Q5	8-729-806-38	TRANSISTOR 2SC3399
Q6	8-729-806-20	TRANSISTOR 2SA1345
Q7	8-729-801-83	TRANSISTOR 2SB1013
Q8	8-729-806-28	TRANSISTOR 2SC3402
Q9	8-729-806-38	TRANSISTOR 2SC3399
Q10	8-729-806-38	TRANSISTOR 2SC3399
Q11	8-729-806-38	TRANSISTOR 2SC3399
Q12	8-729-107-99	TRANSISTOR 2SC3622A-K
Q13	8-729-107-99	TRANSISTOR 2SC3622A-K
Q14	8-729-806-32	TRANSISTOR 2SC3860
Q15	8-729-806-32	TRANSISTOR 2SC3860
Q20	8-729-806-20	TRANSISTOR 2SA1345
Q21	8-729-802-22	TRANSISTOR 2SB1014
Q22	8-729-806-32	TRANSISTOR 2SC3860
Q23	8-729-806-32	TRANSISTOR 2SC3860
Q24	8-729-806-20	TRANSISTOR 2SA1345
Q25	8-729-806-20	TRANSISTOR 2SA1345
Q26	8-729-806-38	TRANSISTOR 2SC3399
Q601	8-729-806-28	TRANSISTOR 2SC3402
Q602	8-729-806-28	TRANSISTOR 2SC3402
Q603	8-729-806-28	TRANSISTOR 2SC3402
Q604	8-729-806-28	TRANSISTOR 2SC3402
Q605	8-729-806-28	TRANSISTOR 2SC3402
R001	1-249-429-11	CARBON 10K 5% 1/4W
R002	1-249-425-11	CARBON 4.7K 5% 1/4W
R003	1-249-425-11	CARBON 4.7K 5% 1/4W
R004	1-249-423-11	CARBON 3.3K 5% 1/4W
R005	1-249-431-11	CARBON 15K 5% 1/4W
R006	1-215-464-00	CARBON 62K 5% 1/4W
R007	1-249-417-11	CARBON 1K 5% 1/4W
R008	1-249-423-11	CARBON 3.3K 5% 1/4W
R009	1-249-425-11	CARBON 4.7K 5% 1/4W
R101	1-249-428-11	CARBON 8.2K 5% 1/4W
R102	1-215-450-00	CARBON 16K 5% 1/4W
R103	1-249-421-11	CARBON 2.2K 5% 1/4W
R104	1-214-092-00	METAL 22 1% 1/4W
R105	1-215-396-00	CARBON 91 5% 1/4W
R106	1-249-433-11	CARBON 22K 5% 1/4W
R107	1-249-417-11	CARBON 1K 5% 1/4W
R108	1-249-432-11	CARBON 18K 5% 1/4W
R109	1-249-432-11	CARBON 18K 5% 1/4W
R110	1-249-425-11	CARBON 4.7K 5% 1/4W
R111	1-249-425-11	CARBON 4.7K 5% 1/4W
R112	1-249-417-11	CARBON 1K 5% 1/4W
R113	1-215-472-00	CARBON 130K 5% 1/4W
R114	1-247-881-00	CARBON 120K 5% 1/4W
R115	1-215-472-00	CARBON 130K 5% 1/4W
R116	1-247-881-00	CARBON 120K 5% 1/4W

Ref.No.	Part No.	Description
R117	1-249-381-11	CARBON 1 5% 1/4W
R118	1-249-393-11	CARBON 10 5% 1/4W
R119	1-215-472-00	CARBON 130K 5% 1/4W
R120	1-249-393-11	CARBON 10 5% 1/4W
R122	1-249-440-11	CARBON 82K 5% 1/4W
R123	1-215-479-00	CARBON 270K 5% 1/4W
R124	1-249-435-11	CARBON 33K 5% 1/4W
R125	1-249-393-11	CARBON 10 5% 1/4W
R126	1-249-423-11	CARBON 3.3K 5% 1/4W
R127	1-249-425-11	CARBON 4.7K 5% 1/4W
R128	1-249-393-11	CARBON 10 5% 1/4W
R129	1-249-429-11	CARBON 10K 5% 1/4W
R130	1-215-486-00	CARBON 510K 5% 1/4W
R131	1-249-433-11	CARBON 22K 5% 1/4W
R132	1-249-414-11	CARBON 560 5% 1/4W
R133	1-249-441-11	CARBON 100K 5% 1/4W
R134	1-215-434-00	METAL 3.6K 1% 1/6W
R135	1-249-441-11	CARBON 100K 5% 1/4W
R136	1-249-437-11	CARBON 47K 5% 1/4W
R137	1-249-436-11	CARBON 39K 5% 1/4W
R138	1-249-393-11	CARBON 10 5% 1/4W
R139	1-249-381-11	CARBON 1 5% 1/4W
R140	1-249-429-11	CARBON 10K 5% 1/4W
R141	1-215-493-00	CARBON 1M 5% 1/4W
R142	1-249-433-11	CARBON 22K 5% 1/4W
R143	1-249-441-11	CARBON 100K 5% 1/4W
R144	1-249-441-11	CARBON 100K 5% 1/4W
R145	1-249-429-11	CARBON 10K 5% 1/4W
R146	1-215-469-00	METAL 100K 1% 1/6W
R147	1-215-469-00	METAL 100K 1% 1/6W
R150	1-249-429-11	CARBON 10K 5% 1/4W
R151	1-249-417-11	CARBON 1K 5% 1/4W
R152	1-249-417-11	CARBON 1K 5% 1/4W
R153	1-249-417-11	CARBON 1K 5% 1/4W
R154	1-249-417-11	CARBON 1K 5% 1/4W
R155	1-249-429-11	CARBON 10K 5% 1/4W
R163	1-249-438-11	CARBON 56K 5% 1/4W
R164	1-249-424-11	CARBON 3.9K 5% 1/4W
R165	1-249-429-11	CARBON 10K 5% 1/4W
R166	1-249-417-11	CARBON 1K 5% 1/4W
R167	1-249-417-11	CARBON 1K 5% 1/4W
R168	1-249-417-11	CARBON 1K 5% 1/4W
R197	1-249-417-11	CARBON 1K 5% 1/4W
R201	1-215-493-00	CARBON 1M 5% 1/4W
R202	1-249-423-11	CARBON 3.3K 5% 1/4W
R203	1-215-454-00	CARBON 24K 5% 1/4W
R204	1-249-414-11	CARBON 560 5% 1/4W
R205	1-249-431-11	CARBON 15K 5% 1/4W
R206	1-249-431-11	CARBON 15K 5% 1/4W
R301	1-249-411-11	CARBON 330 5% 1/4W
R302	1-249-417-11	CARBON 1K 5% 1/4W
R303	1-249-417-11	CARBON 1K 5% 1/4W
R304	1-249-417-11	CARBON 1K 5% 1/4W
R305	1-259-434-11	CARBON 1.8K 5% 1/6W
R306	1-259-434-11	CARBON 1.8K 5% 1/6W
R307	1-259-488-11	CARBON 330K 5% 1/6W
R308	1-259-488-11	CARBON 330K 5% 1/6W
R309	1-259-424-11	CARBON 680 5% 1/6W

(2)



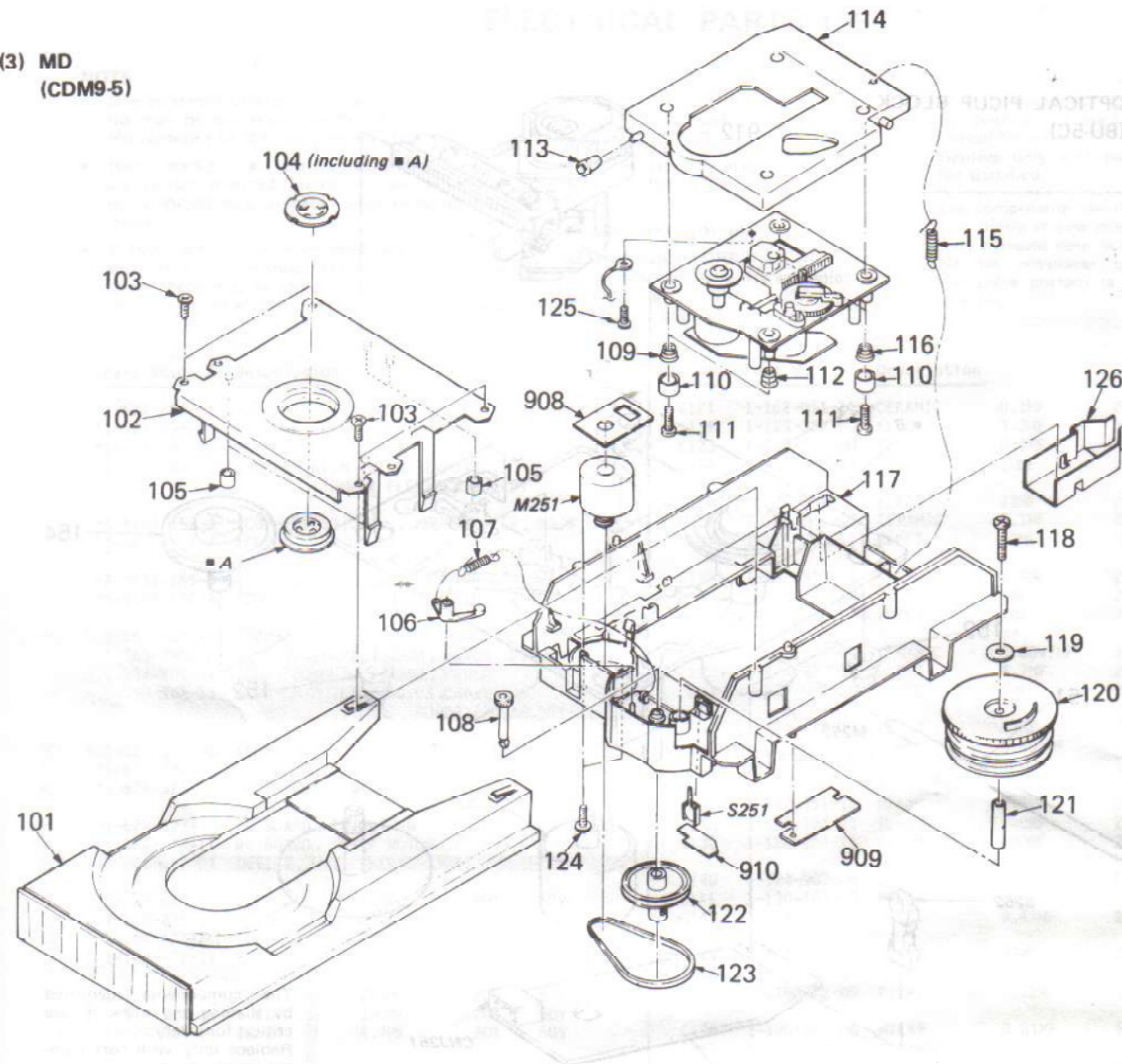
The components identified by shading and mark Δ are critical for safety. Replace only with part number specified.

Les composants identifiés par une trame et une marque Δ sont critiques pour la sécurité. Ne les remplacer que par une pièce portant le numéro spécifié.

No.	Part No.	Description	Remarks
51	4-922-915-01	FOOT (FELT)	
52	*4-922-928-01	CHASSIS	
53	7-685-647-79	SCREW +BVTP 3X10 TYPE2 N-S	
54	4-922-410-41	(CDP-750:US)...PANEL, LOADING	
	4-922-919-01	(CDP-207ESD/750:AEP,UK,Canadian,E) ...PANEL, LOADING	
	4-922-919-11	(CDP-68)...PANEL, LOADING	
55	7-685-647-79	SCREW, TAPPING	
56	*4-922-423-01	REINFORCEMENT (TRANSFORMER)	
57	Δ 3-703-244-00	(CDP-68/207ESD/750:US,Canadian,AEP,UK) ...BUSHING (2104), CORD	
	Δ 3-703-571-11	(CDP-750:E) ...BUSHING (S)(4516), CORD	
58	*4-922-501-11	(CDP-207ESD)...PANEL, BACK	
	*4-922-501-21	(CDP-750:US)...PANEL, BACK	
	*4-922-501-31	(CDP-68)...PANEL, BACK	
	*4-922-501-41	(CDP-750:Canadian)...PANEL, BACK	
	*4-922-501-51	(CDP-750:AEP)...PANEL, BACK	
	*4-922-501-61	(CDP-750:UK)...PANEL, BACK	
58	*4-922-501-71	(CDP-750:E)...PANEL, BACK	
59	*1-535-688-11	TERMINAL	
60	*4-885-838-00	(CDP-750:AEP,UK,E)...LABEL, CLASS 1	
61	3-701-748-00	(CDP-750:UK)...CLAMP	

No.	Part No.	Description	Remarks
905	*A-4651-152-A	(CDP-207ESD)...MOUNTED PCB, MAIN	
	*A-4651-154-A	(CDP-68/750:US,Canadian) ...MOUNTED PCB, MAIN	
	*A-4651-155-A	(CDP-750:AEP,UK)...MOUNTED PCB, MAIN	
	*A-4651-156-A	(CDP-750:E)...MOUNTED PCB, MAIN	
906	Δ 1-551-188-XX	(CDP-750:E)...CORD, POWER	
	Δ 1-555-795-00	(CDP-750:AEP)...CORD, POWER, EULO PLUG	
	Δ 1-558-204-11	(CDP-750:UK)...CORD, POWER	
	Δ 1-558-942-11	(CDP-68/207ESD/750:US,Canadian) ...CORD, POWER (POLAR.SPT-2)	
907	Δ 1-526-565-00	(CDP-750:E3)...AC PLUG ADAPTOR	
J301	1-566-921-11	JACK, PIN 2P (LINE OUT)	
J401	1-566-922-11	(CDP-207ESD/750:AEP,UK) ...JACK, PIN 1P (DIGITAL OUT)	
S902	Δ 1-571-309-11	(CDP-750:E)...SWITCH (VOLTAGE SELECTOR)	
T901	Δ 1-449-024-11	(CDP-68/207ESD/750:US,Canadian) ...TRANSFORMER, POWER	
T901	Δ 1-449-025-11	(CDP-750:AEP,UK)...TRANSFORMER, POWER	
T901	Δ 1-449-026-11	(CDP-750:E)...TRANSFORMER, POWER	

(3) MD
(CDM9-5)



No.	Part No.	Description	Remarks
101	*4-922-515-01	TABLE, DISK	
102	*4-922-510-01	REINFORCEMENT	
103	7-685-646-79	SCREW +BTP 3X8 TYPE2 N-S	
104	A-4665-012-C	MAGNET ASSY	
105	*3-576-990-01	CUSHION	
106	4-917-519-01	LEVER, SET	
107	4-917-514-01	SPRING, TENSION	
108	4-922-508-01	GEAR (DRIVING)	
109	4-917-541-01	SPRING (B)	
110	4-917-508-01	HOLDER, SP	
111	7-685-535-19	SCREW +BTP 2.6X10 TYPE2 N-S	
112	4-918-669-01	SPRING (W)	
113	4-917-515-01	ROLLER	
114	*4-922-514-01	BRACKET (BU-5)	
115	4-917-526-01	SPRING, TENSION	


No.	Part No.	Description	Remarks
116	4-917-507-01	SPRING (H)	
117	*4-922-516-01	CHASSIS (MD)	
118	7-685-552-19	SCREW +BTP 3X25 TYPE2 N-S	
119	0-056-028-00	WASHER, PLAIN, 14 DIA.	
120	4-922-511-01	GEAR (LOADING)	
121	*4-917-523-01	COLLAR, CAM	
122	4-922-512-01	PULLEY	
123	4-917-522-01	BELT	
124	7-621-759-40	+PSW, 2.6X6	
125	7-621-770-67	SCREW +BVT 2.6X6 (S)	
126	4-923-541-11	SPRING	
908	*1-624-324-11	PC BOARD, L.MOTOR	
909	*1-624-325-11	PC BOARD, TRANSLATION 5	
910	*1-624-323-11	PC BOARD, IN/OUT SW	
M251	A-4608-346-A	MOTOR ASSY, L	
S251	1-571-300-11	SWITCH, ROTARY (LOADING IN/OUT)	

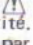
Ref.No.	Part No.	Description				
R310	1-259-424-11	CARBON	680	5%	1/6W	
R311	1-259-422-11	CARBON	560	5%	1/6W	
R312	1-259-422-11	CARBON	560	5%	1/6W	
R313	1-249-425-11	CARBON	4.7K	5%	1/4W	
R314	1-249-425-11	CARBON	4.7K	5%	1/4W	
R315	1-249-441-11	CARBON	100K	5%	1/4W	
R316	1-249-441-11	CARBON	100K	5%	1/4W	
R319	1-259-424-11	CARBON	680	5%	1/6W	
R320	1-259-424-11	CARBON	680	5%	1/6W	
R321	1-259-460-11	CARBON	22K	5%	1/6W	
R322	1-259-460-11	CARBON	22K	5%	1/6W	
R323	1-259-500-11	CARBON	1M	5%	1/6W	
R324	1-259-500-11	CARBON	1M	5%	1/6W	
R325	1-259-404-11	CARBON	100	5%	1/6W	
R326	1-259-404-11	CARBON	100	5%	1/6W	
R327	1-259-423-11	CARBON	620	5%	1/6W	
R328	1-259-423-11	CARBON	620	5%	1/6W	
R401	1-249-412-11	(CDP-207ESD/750:AEP,UK) ...CARBON 390	5%	1/4W		
R402	1-215-396-00	(CDP-207ESD/750:AEP,UK) ...CARBON 91	5%	1/4W		
R403	1-249-417-11	(CDP-207ESD/750:AEP,UK) ...CARBON 1K	5%	1/4W		
R501	1-259-428-11	CARBON	1K	5%	1/6W	
R502	1-259-428-11	CARBON	1K	5%	1/6W	
R503	1-259-460-11	CARBON	22K	5%	1/6W	
R504	1-259-460-11	CARBON	22K	5%	1/6W	
R505	1-259-450-11	CARBON	8.2K	5%	1/6W	
R506	1-259-450-11	CARBON	8.2K	5%	1/6W	
R507	1-259-404-11	CARBON	100	5%	1/6W	
R508	1-259-404-11	CARBON	100	5%	1/6W	
R601	1-249-435-11	CARBON	33K	5%	1/4W	
R602	1-249-435-11	CARBON	33K	5%	1/4W	
R603	1-249-435-11	CARBON	33K	5%	1/4W	
R604	1-249-435-11	CARBON	33K	5%	1/4W	
R605	1-249-435-11	CARBON	33K	5%	1/4W	
R606	1-249-435-11	CARBON	33K	5%	1/4W	
R607	1-249-435-11	CARBON	33K	5%	1/4W	
R608	1-249-425-11	CARBON	4.7K	5%	1/4W	
R609	1-249-425-11	CARBON	4.7K	5%	1/4W	
R610	1-249-425-11	CARBON	4.7K	5%	1/4W	
R611	1-249-425-11	CARBON	4.7K	5%	1/4W	
R612	1-249-421-11	CARBON	2.2K	5%	1/4W	
RV101	1-228-995-00	RES, ADJ, CARBON 22K (E-F BALANCE)				
RV102	1-228-993-00	RES, ADJ, CARBON 4.7K (FOCUS BIAS)				
RV103	1-228-995-00	RES, ADJ, CARBON 22K (FOCUS GAIN)				
RV104	1-228-995-00	RES, ADJ, CARBON 22K (TRACKING GAIN)				
RV105	1-228-990-00	RES, ADJ, METAL GLAZE 1K (RF PLL)				
RV501	1-237-789-11	RES, VAR, CARBON 20K/20K (PHONE LEVEL)				
S251	1-571-300-11	SWITCH, ROTARY (LOADING IN/OUT)				
S252	1-571-274-11	SWITCH, LEAF (LIMIT IN)				
S601	1-554-303-21	SWITCH, KEY BOARD (PROGRAM)				
S602	1-554-303-21	SWITCH, KEY BOARD (>)				
S603	1-554-303-21	SWITCH, KEY BOARD (REPEAT)				
S604	1-554-303-21	SWITCH, KEY BOARD (OPEN/CLOSE)				
S605	1-554-303-21	SWITCH, KEY BOARD (CHECK)				
S606	1-554-303-21	SWITCH, KEY BOARD (CLEAR)				
S607	1-554-303-21	SWITCH, KEY BOARD (SHUFFLE)				
S608	1-554-303-21	SWITCH, KEY BOARD (II)				
S609	1-554-303-21	SWITCH, KEY BOARD (AUTO SPACE)				
S610	1-554-303-21	SWITCH, KEY BOARD (K)				
S611	1-554-303-21	SWITCH, KEY BOARD (K)				
S612	1-554-303-21	SWITCH, KEY BOARD (CONTINUE)				
S613	1-554-303-21	SWITCH, KEY BOARD (M)				
S614	1-554-303-21	SWITCH, KEY BOARD (DISPLAY)				

Ref.No.	Part No.	Description
S615	1-554-303-21	SWITCH, KEY BOARD (D)
S616	1-554-303-21	SWITCH, KEY BOARD (D)
S617	1-554-303-21	SWITCH, KEY BOARD (1)
S618	1-554-303-21	SWITCH, KEY BOARD (2)
S619	1-554-303-21	SWITCH, KEY BOARD (3)
S620	1-554-303-21	SWITCH, KEY BOARD (4)
S621	1-554-303-21	SWITCH, KEY BOARD (5)
S622	1-554-303-21	SWITCH, KEY BOARD (—)
S623	1-554-303-21	SWITCH, KEY BOARD (6)
S624	1-554-303-21	SWITCH, KEY BOARD (7)
S625	1-554-303-21	SWITCH, KEY BOARD (8)
S626	1-554-303-21	SWITCH, KEY BOARD (9)
S627	1-554-303-21	SWITCH, KEY BOARD (10)
S628	1-554-303-21	SWITCH, KEY BOARD (—)
S629	1-554-303-21	SWITCH, KEY BOARD (11)
S630	1-554-303-21	SWITCH, KEY BOARD (12)
S631	1-554-303-21	SWITCH, KEY BOARD (13)
S632	1-554-303-21	SWITCH, KEY BOARD (14)
S633	1-554-303-21	SWITCH, KEY BOARD (15)
S634	1-554-303-21	SWITCH, KEY BOARD (>20)
S635	1-554-303-21	SWITCH, KEY BOARD (16)
S636	1-554-303-21	SWITCH, KEY BOARD (17)
S637	1-554-303-21	SWITCH, KEY BOARD (18)
S638	1-554-303-21	SWITCH, KEY BOARD (19)
S639	1-554-303-21	SWITCH, KEY BOARD (20)
S701	1-571-305-11	SWITCH, PUSH (1 KEY)(POWER)
S902	1-571-309-11	(CDP-750:E)...SWITCH (VOLTAGE SELECTOR)
T901	1-449-024-11	(CDP-68/207ESD/750:US,Canadian) ...TRANSFORMER, POWER
T901	1-449-025-11	(CDP-750:AEP,UK)...TRANSFORMER, POWER
T901	1-449-026-11	(CDP-750:E).....TRANSFORMER, POWER
X301	1-567-908-11	(CDP-68/750:US,Canadian,E) ...VIBRATOR, CRYSTAL
X301	1-567-926-11	(CDP-207ESD/750:AEP,UK) ...VIBRATOR, CRYSTAL
X601	1-567-686-11	OSCILLATOR, CERAMIC (4MHZ)

ACCESSORY & PACKING MATERIAL

1-463-923-11	REMOTO COMMANDER (RM-D450)
1-558-543-11	CORD, CONNECTION
3-565-234-00	(CDP-750:E)...BAG, PROTECTION
3-704-346-01	(CDP-68/207ESD/750:US,Canadian,AEP,UK) ...SHEET (STANDARD)
3-703-390-01	(CDP-68/207ESD/750:US)...INSTRUCTION
*3-795-629-11	(CDP-750:AEP).....INSTRUCTION
3-769-585-11	(CDP-750:AEP,UK,Canadian,E) ...MANUAL, INSTRUCTION
3-769-585-21	(CDP-750:US).....MANUAL, INSTRUCTION
3-769-585-41	(CDP-750:AEP).....MANUAL, INSTRUCTION
3-769-585-51	(CDP-207ESD).....MANUAL, INSTRUCTION
3-769-585-61	(CDP-68).....MANUAL, INSTRUCTION
4-922-417-01	LID, BATTERY CASE (FOR RM-D450)
*4-922-581-01	CUSHION
4-922-517-51	(CDP-750).....INDIVIDUAL CARTON
4-922-517-61	(CDP-207ESD)...INDIVIDUAL CARTON
4-922-517-71	(CDP-68).....INDIVIDUAL CARTON

The components identified by shading and mark  are critical for safety. Replace only with part number specified.

Les composants identifiés par une trame et une marque  sont critiques pour la sécurité. Ne les remplacer que par une pièce portant le numéro spécifié.