

CDP-C525/C625

SERVICE MANUAL

US Model
 Canadian Model
 CDP-C525/C625
 AEP Model
 Australian Model
 E Model
 CDP-C525



Photo : CDP-C625



Model Name Using Similar Mechanism	CDP-C425
Optical Pick-up Block Type	BU-5BD8B

SPECIFICATIONS

System Compact disc digital audio system
Laser Semiconductor laser ($\lambda=780$ nm)
Laser output Emission duration: continuous
 Max. 44.6 μ W*
 * This output is the value measured at a distance of about 200 mm from the objective lens surface on the Optical Pick-up Block.

Frequency response 2 Hz - 20 kHz (± 0.5 dB)
Signal to noise ratio CDP-C525
 More than 105 dB
 CDP-C625
 More than 110 dB

Dynamic range More than 98 dB
Harmonic distortion CDP-C525
 Less than 0.005% (1 kHz)
 CDP-C625
 Less than 0.0027% (1 kHz)

Channel separation CDP-C525
 More than 100 dB (1 kHz)
 CDP-C625
 More than 102 dB (1 kHz)

Wow and flutter Below measurable limit

Outputs
LINE OUT (FIXED) (phono jacks)
 Output level 2 V (at 50 kilohms, non DSP mode)
 Load impedance over 10 kilohms

LINE OUT (VARIABLE) (phono jacks)
 Output level max. 2 V (at 50 kilohms, non DSP mode)
 Load impedance over 10 kilohms

DIGITAL OUT (OPTICAL) (optical output connector) (CDP-C625 only)
 Wave length 660 nm
 Output level -18 dBm

PHONES (stereo phone jack)
 Output level max. 15 mW
 Load impedance 32 ohms

General

Power requirements Model for USA and Canada
 120 V AC, 60 Hz
 Model for Australia
 240 V AC, 50/60 Hz

Power consumption 13 W

Dimensions Approx. 430 \times 125 \times 385 mm (w/h/d) (17 \times 5 \times 15 $\frac{1}{4}$ inches) not including projecting parts and controls

Weight Approx. 6 kg (13 lbs 4 oz), net

Remote commander **RM-D615**
Remote control system Infrared control
Power requirements 3 V DC with two batteries size AA (IEC designation R6)

- Continued on next page -

COMPACT DISC PLAYER
SONY[®]

Supplied accessories

- Connecting cord (1)
- (2 phono plugs ↔ 2 phono plugs)
- Remote commander (1)
- Sony SUM-3(NS) batteries (2)
- Operating Manual (1)

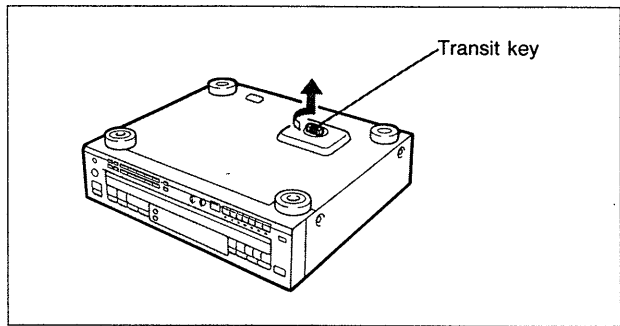
Optional accessory (CDP-C625 only)

- Audio optical connecting cord POC-15

Design and specifications subject to change without notice.

Note on the Transit Key

The transit key on the bottom exterior of the unit protects the optical system against shock during transportation. Before operating the CD player, be sure to remove the key by following the instructions on the label, and store it in a safe place. When transporting the unit, replace the key in its original hole and lock it in place.

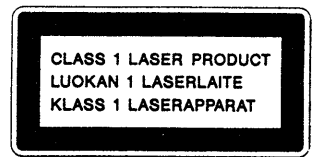


For the customers in Canada

CAUTION:
 TO PREVENT ELECTRIC SHOCK, DO NOT USE THIS POLARIZED AC PLUG WITH AN EXTENSION CORD, RECEPTACLE OR OTHER OUTLET UNLESS THE BLADES CAN BE FULLY INSERTED TO PREVENT BLADE EXPOSURE.

THIS APPARATUS COMPLIES WITH THE CLASS B LIMITS FOR RADIO NOISE EMISSIONS SET OUT IN RADIO INTERFERENCE REGULATIONS.

For the customers in Australia



This Compact Disc player is classified as a CLASS 1 LASER product. The CLASS 1 LASER PRODUCT label is located on the rear exterior.

SAFETY-RELATED COMPONENT WARNING!!

COMPONENTS IDENTIFIED BY MARK OR DOTTED LINE WITH MARK ON THE SCHEMATIC DIAGRAMS AND IN THE PARTS LIST ARE CRITICAL TO SAFE OPERATION. REPLACE THESE COMPONENTS WITH SONY PARTS WHOSE PART NUMBERS APPEAR AS SHOWN IN THIS MANUAL OR IN SUPPLEMENTS PUBLISHED BY SONY.

TABLE OF CONTENTS

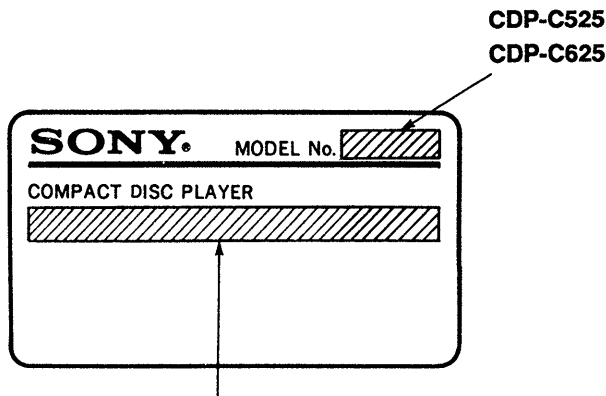
<u>Section</u>	<u>Title</u>	<u>Page</u>
1. GENERAL		
1-1.	Location of Controls	5
2. DISASSEMBLY		
2-1.	Removal of Front Panel and Case Assemblies	6
2-2.	Removal of Disc Tray Assembly	6
2-3.	Removal of Optical Pick-up Block Assembly	6
3. ELECTRICAL BLOCK CHECKING		7
4. DIAGRAMS		
4-1.	Circuit Boards Location	9
4-2.	Semiconductor Lead Layouts	10
4-3.	IC Block Diagrams	11
4-4.	Block Diagrams	12
4-5.	Printed Wiring Boards	16
4-6.	Schematic Diagram	21
5. EXPLODED VIEWS		
5-1.	Front Panel and Case Assemblies (CDP-C525 model)	25
5-1.	Front Panel and Case Assemblies (CDP-C625 model)	26
5-2.	Disc Tray Assembly	27
5-3.	Chassis Assembly	28
5-4.	Optical Pick-up Block Assembly (BU-5BD8B)	29
6. ELECTRICAL PARTS LIST		30

ATTENTION AU COMPOSANT AYANT RAPPORT À LA SÉCURITÉ!

LES COMPOSANTS IDENTIFIÉS PAR UNE MARQUE SUR LES DIAGRAMMES SCHÉMATIQUES ET LA LISTE DES PIÈCES SONT CRITIQUES POUR LA SÉCURITÉ DE FONCTIONNEMENT. NE REMPLACER CES COMPOSANTS QUE PAR DES PIÈCES SONY DONT LES NUMÉROS SONT DONNÉS DANS CE MANUEL OU DANS LES SUPPLÉMENTS PUBLIÉS PAR SONY.

MODEL IDENTIFICATION

—Model Number Label—



US, Canadian model : AC : 120V 60Hz

Australian model : AC : 240V~50/60Hz

AEP model : AC : 220-230V~50/60Hz

E model : AC : 110-120V, 220-240V~50/60Hz

NOTES ON HANDLING THE OPTICAL PICK-UP BLOCK OR BASE UNIT

The laser diode in the optical pick-up block may suffer electrostatic breakdown because of the potential difference generated by the charged electrostatic load, etc. on clothing and the human body.

During repair, pay attention to electrostatic breakdown and also use the procedure in the printed matter which is included in the repair parts.

The flexible board is easily damaged and should be handled with care.

NOTES ON LASER DIODE EMISSION CHECK

The laser beam on this model is concentrated so as to be focused on the disc reflective surface by the objective lens in the optical pick-up block. Therefore, when checking the laser diode emission, observe from more than 30cm away from the objective lens.

SAFETY CHECK-OUT

After correcting the original service problem, perform the following safety checks before releasing the set to the customer:

Check the antenna terminals, metal trim, "metallized" knobs, screws, and all other exposed metal parts for AC leakage. Check leakage as described below.

LEAKAGE TEST

The AC leakage from any exposed metal part to earth ground and from all exposed metal parts to any exposed metal part having a return to chassis, must not exceed 0.5 mA (500 microampers). Leakage current can be measured by any one of three methods.

1. A commercial leakage tester, such as the Simpson 229 or RCA WT-540A. Follow the manufacturers' instructions to use these instruments.
2. A battery-operated AC milliammeter. The Data Precision 245 digital multimeter is suitable for this job.
3. Measuring the voltage drop across a resistor by means of a VOM or battery-operated AC voltmeter. The "limit" indication is 0.75 V, so analog meters must have an accurate low-voltage scale. The Simpson 250 and Sanwa SH-63Trd are examples of a passive VOM that is suitable. Nearly all battery operated digital multimeters that have a 2V AC range are suitable. (See Fig. A)

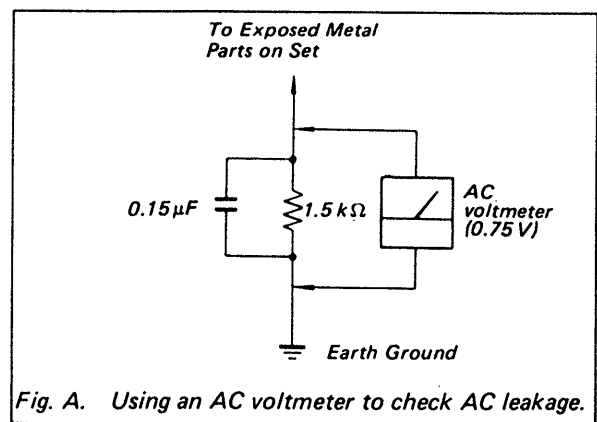


Fig. A. Using an AC voltmeter to check AC leakage.

PROTECTION OF EYES FROM LASER BEAM DURING SERVICING

This set employs a laser. Therefore, be sure to follow carefully the instructions below when servicing.

CAUTION

Use of controls or adjustments or performance of procedures other than those specified herein may result in hazardous radiation exposure.

1. Laser Diode Properties

- Material: GaAlAs
- Wavelength: 780 nm
- Emission Duration: continuous
- Laser Output: max. 44.6 μ W*

* This output is the value measured at a distance of about 200 mm from the objective lens surface on the Optical Pick-up Block.

2. During service, do not take the Optical Pick-up Block apart, and do not adjust the APC circuit. If there is a breakdown in the APC circuit (including laser diode), replace the entire Optical Pick-up Block (including APC board).

BESKYTTELSE AF ØJNE MOD LASERSTRÅLING UNDER SERVICE

I dette apparat anvendes laserlys. Derfor skal nedenstående instruktioner nøje følges under service.

Følg iøvrigt instruktionerne i servicemanualen.

ADVARSEL!!

Under service må øjnene ikke komme nær objektiv-linsen på den optiske pick-up enhed. I tilfælde af at det er nødvendigt at kontrollere udsendelsen af laserlys, skal det ske i en afstand af mere end 25 cm fra den optiske pick-up.

1. Laser-dioe data

- Materiale: GaAlAs
- Bølgelængde: 780 nm
- Udstråling: Kontinuerlig
- Laseroutput: Max. 0,4 mW*

* Målt i 1,6 mm afstand fra overfladen af objektiv-linsen på den optiske pick-up enhed.

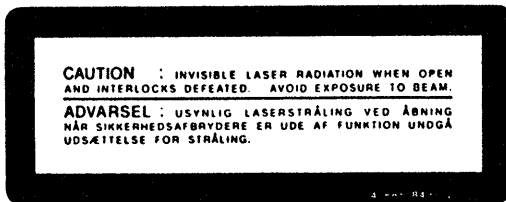
- Klassifikation: Klasse IIIb.

2. Adskil aldrig den optiske pick-up enhed under service, og juster ikke APC kredsløbet (Automatic Power Control). Hvis APC kredsløbet (incl. laserdioden) bryder ned, skal hele den optiske pick-up enhed (incl. APC printkortet) udskiftes.

LASER ADVARSEL MÆRKNING

Følgende mærkning findes indvendig i apparatet:

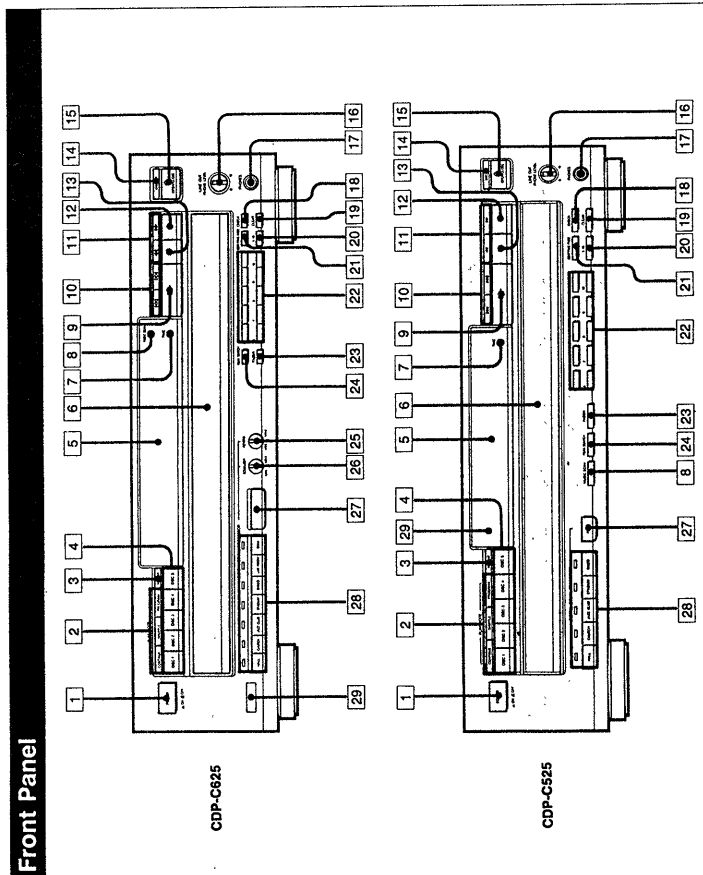
1. Advarsel Mærkning



VAROITUS: Laite sisältää, laserdiodin, joka lähettää (näkyvätöntä) silmille vaarallista lasersäteilyä.

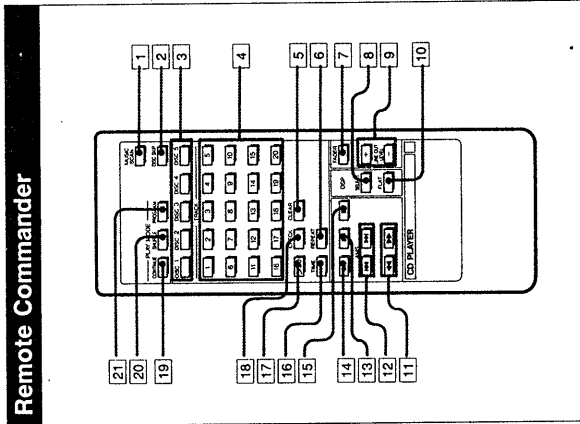
SECTION 1
GENERAL

1-1. LOCATION OF CONTROLS



- 1 POWER switch
- 2 PLAY MODE buttons
- 3 CONTINUE button
- 4 SHUFFLE button
- 5 PROGRAM button
- 6 REPEAT button
- 7 DISC 1-5 buttons
- 8 Display window
- 9 Disc tray
- 10 MUSIC SCAN button
- 11 (play) button
- 12 (AMS*) buttons
- 13 (manual search) buttons
- 14 (pause) button
- 15 DISC SKIP button
- 16 OPEN/CLOSE button
- 17 LIEN OUT/PHONE LEVEL control
- 18 PHONES jack
- 19 CHECK (program check) button
- 20 CLEAR (program clear) button
- 21 > 10 (over 10) button
- 22 EDIT/TIME FADE button
- 23 Numeric buttons (1-10)
- 24 FADER button
- 25 PEAK SEARCH button
- 26 DIGITAL SIGNAL PROCESSOR REVERB control (CDP-625 only)
- 27 DIGITAL SIGNAL PROCESSOR EQUALIZER control (CDP-C625 only)
- 28 DIGITAL SIGNAL PROCESSOR FLAT button and indicators
- 29 Remote sensor

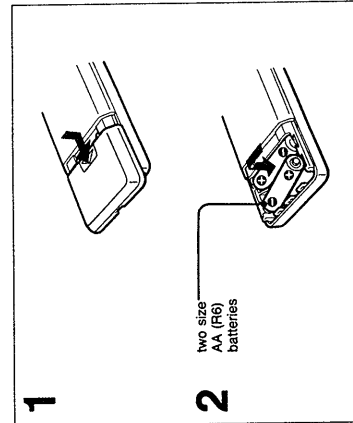
* AMS is the abbreviation of Automatic Music Sensor.



- 1 MUSIC SCAN button
- 2 DISC SKIP button
- 3 DISC 1-5 buttons
- 4 Numeric buttons
- 5 CLEAR (program clear) button
- 6 REPEAT button
- 7 FADER button
- 8 DIGITAL SIGNAL PROCESSOR SELECT button
- 9 LINE OUT LEVEL buttons
- 10 DIGITAL SIGNAL PROCESSOR FLAT button
- 11 (manual search) buttons
- 12 (AMS) buttons
- 13 (pause) button
- 14 (play) button
- 15 (stop) button
- 16 TIME button
- 17 > 20 (over 20) button
- 18 CHECK (program check) button
- 19 CONTINUE button
- 20 SHUFFLE button
- 21 PROGRAM button

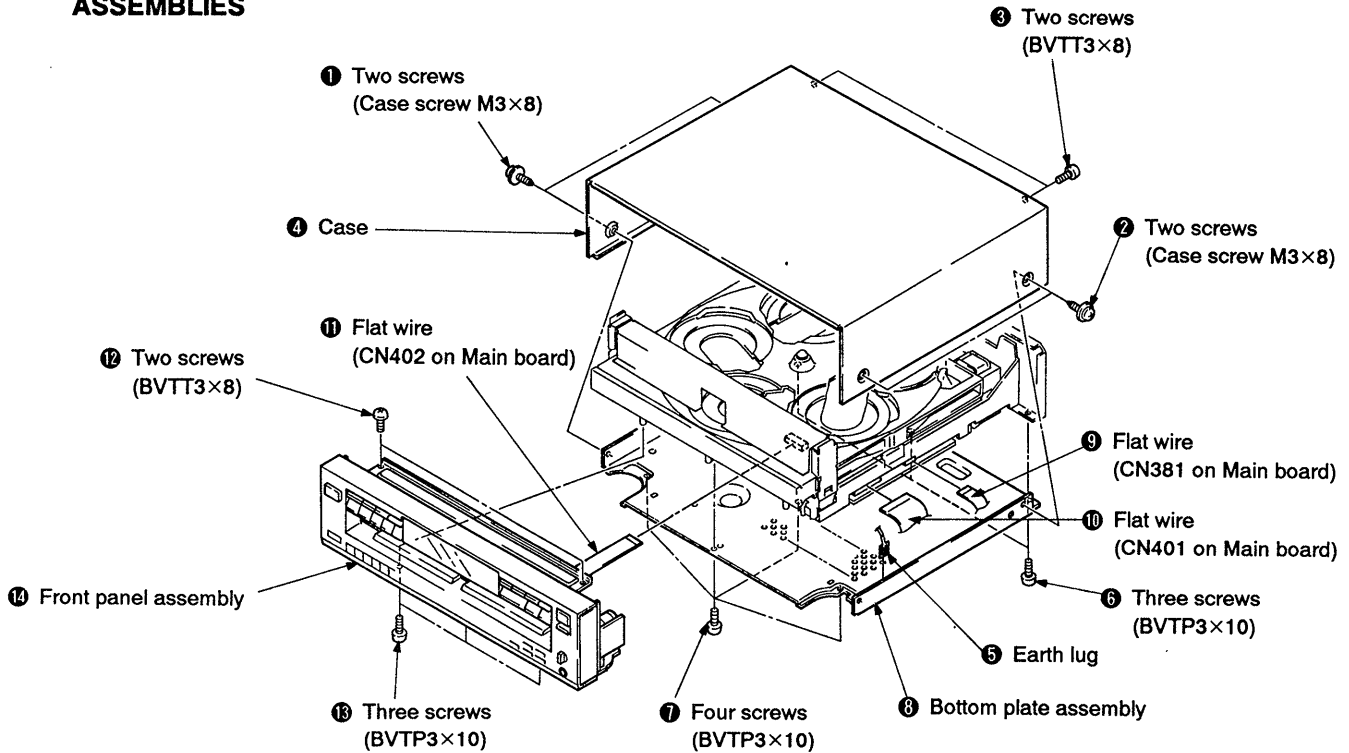
Installing Batteries in the Remote Commander

- On battery life**
- About half a year of normal operation can be expected when using the Sony SUM-3(NS) batteries.
 - When the batteries are run down, the remote commander will not operate the unit. In this case, replace both batteries with new ones.
- Notes on the remote commander and remote control operation**
- Keep the commander away from extremely hot or humid places.
 - Avoid dropping any foreign objects into the commander casing, particularly when replacing the batteries.
 - Avoid exposing the remote sensor to direct sunlight or lighting apparatus. Such exposure can cause a malfunction.
 - To avoid damage caused by battery leakage and corrosion, remove the batteries when the commander will not be used for a long time.

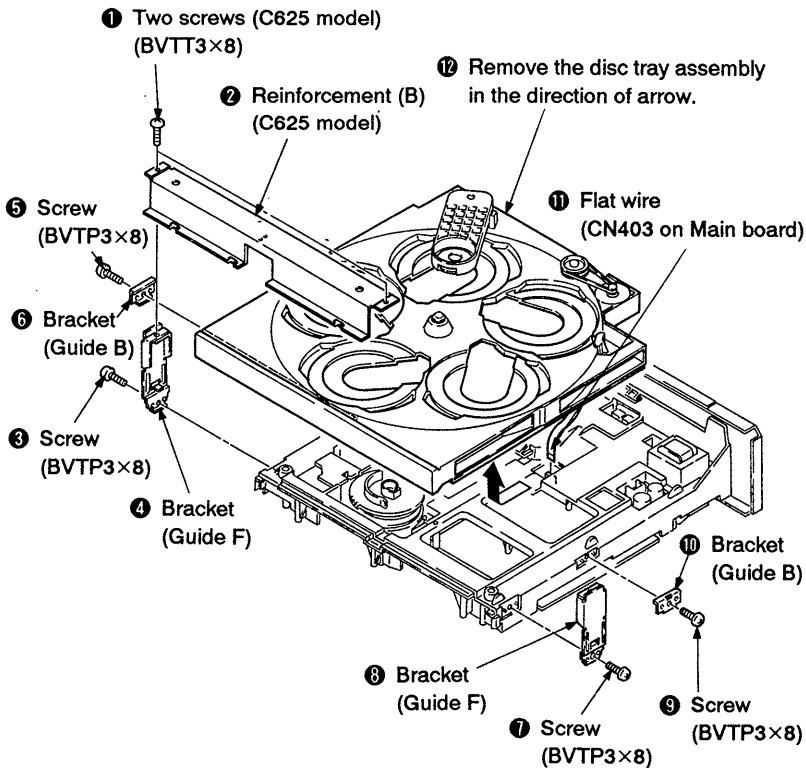


SECTION 2 DISASSEMBLY

2-1. REMOVAL OF CASE AND FRONT PANEL ASSEMBLIES

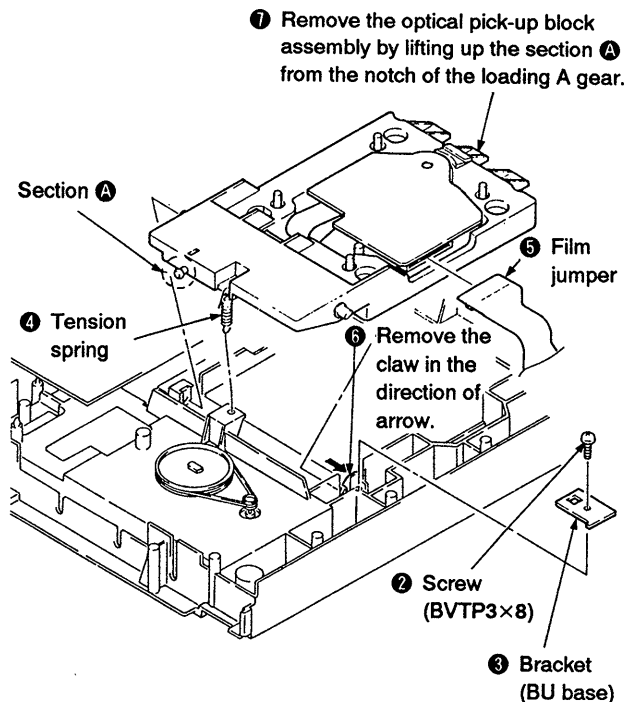


2-2. REMOVAL OF DISC TRAY ASSEMBLY



2-3. REMOVAL OF OPTICAL PICK-UP BLOCK ASSEMBLY

1) Replace the set up side down.



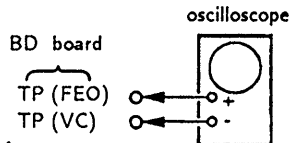
SECTION 3

ELECTRICAL BLOCK CHECKING

Note :

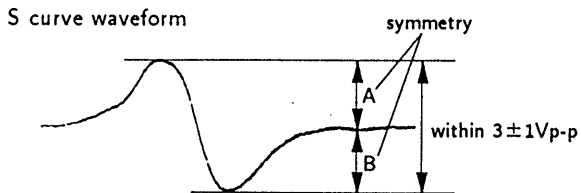
1. CD Block basically constructed to operate without adjustment. Therefore, check each item in order given.
2. Use YEDS-18 disc (3-702-101-01) unless otherwise indicated.
3. Use the oscilloscope with more than $10M\Omega$ impedance.
4. Clean an object lens by an applicator with neutral detergent when the signal level is low than specified value with the following checks.

S Curve Check



Procedure :

1. Connect oscilloscope to test point TP (FEO) on BD board.
2. Connect between test point TP (FES) and TP (VC) by lead wire.
3. Turned Power switch on and actuate the focus serch. (actuate the focus serch when disc table is moving in and out.)
4. Check the oscilloscope waveform (S curve) is symmetrical between A and B. And confirm peak to peak level within $3 \pm 1V_{p-p}$.

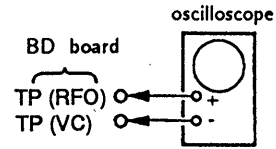


5. After check, remove the lead wire connected in step 2.

Note :

- Try to measure several times to make sure that the ratio of A : B or B : A is more than 10 : 7.
- Take sweep time as long as possible and light up the brightness to obtain best waveform.

RF Level Check

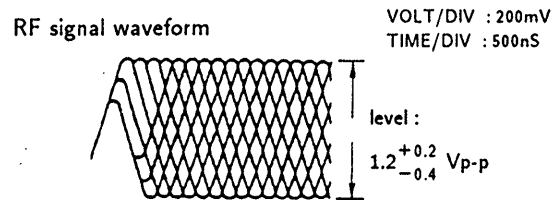


Procedure :

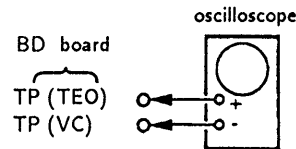
1. Connect oscilloscope to test point TP (RFO) on BD board.
2. Turn Power switch on.
3. Put disc (YEDS-18) in and playback.
4. Confirm that oscilloscope waveform is clear and check RF signal level is correct or not.

Note :

Clear RF signal waveform means that the shape "◇" can be clearly distinguished at the center of the waveform.

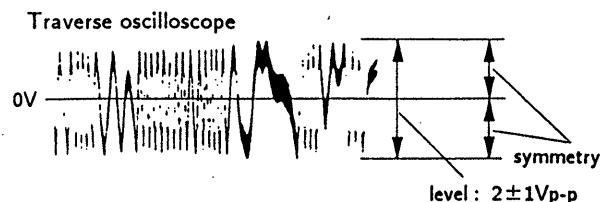


E-F Balance Check



Procedure :

1. Connect test point TP (ADJ) to ground and TP (TES) to TP (VC) with lead wire.
2. Connect oscilloscope to test point TP (TEO) on BD board.
3. Turn Power switch on.
4. Put disc (YEDS-18) in and playback.
5. Confirm that the oscilloscope waveform is symmetrical on the top and bottom in relation to 0V, and check this level.

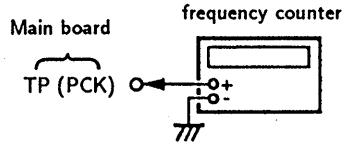


6. Remove the lead wire connected in step 1.

RF PLL Free-run Frequency Check

Procedure :

1. Connect frequency counter to test point (PCK) with lead wire.



2. Turn Power switch on.
3. Confirm that reading on frequency counter is
4. 3218MHz.

Focus/Tracking Gain

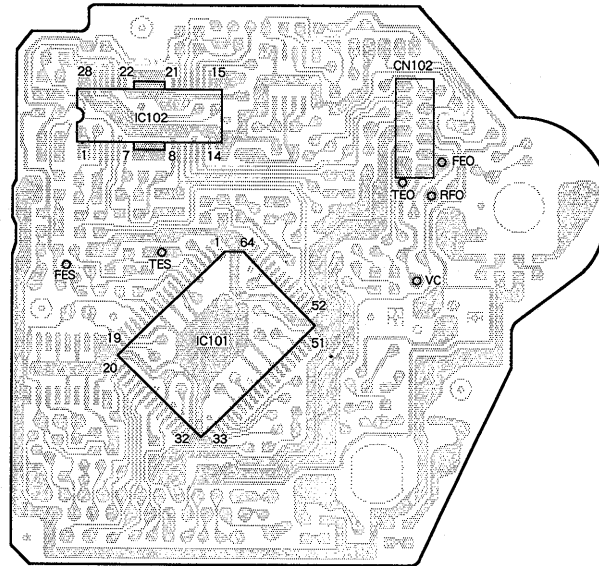
This gain has a margin, so even if it is slightly off. There is no problem.

Therefore, do not perform, this adjustment.

Please note that it should be fixed to mechanical center position when you moved and do not know original position.

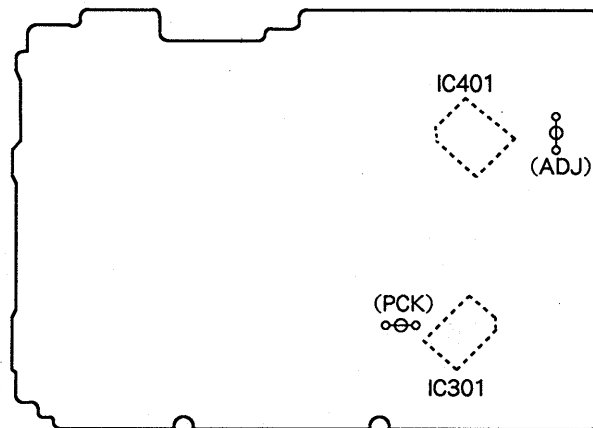
Adjustment Locations : [BD board]

— conductor side —



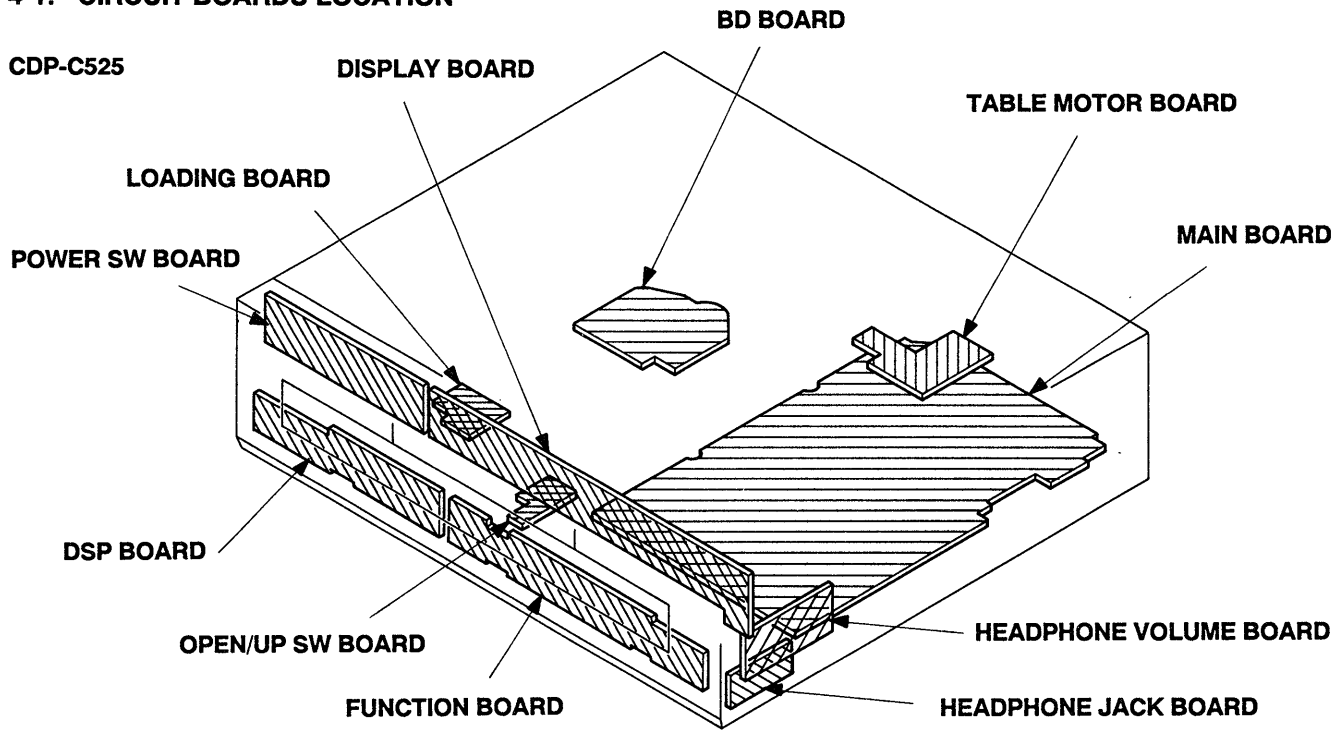
[Main board]

— component side —

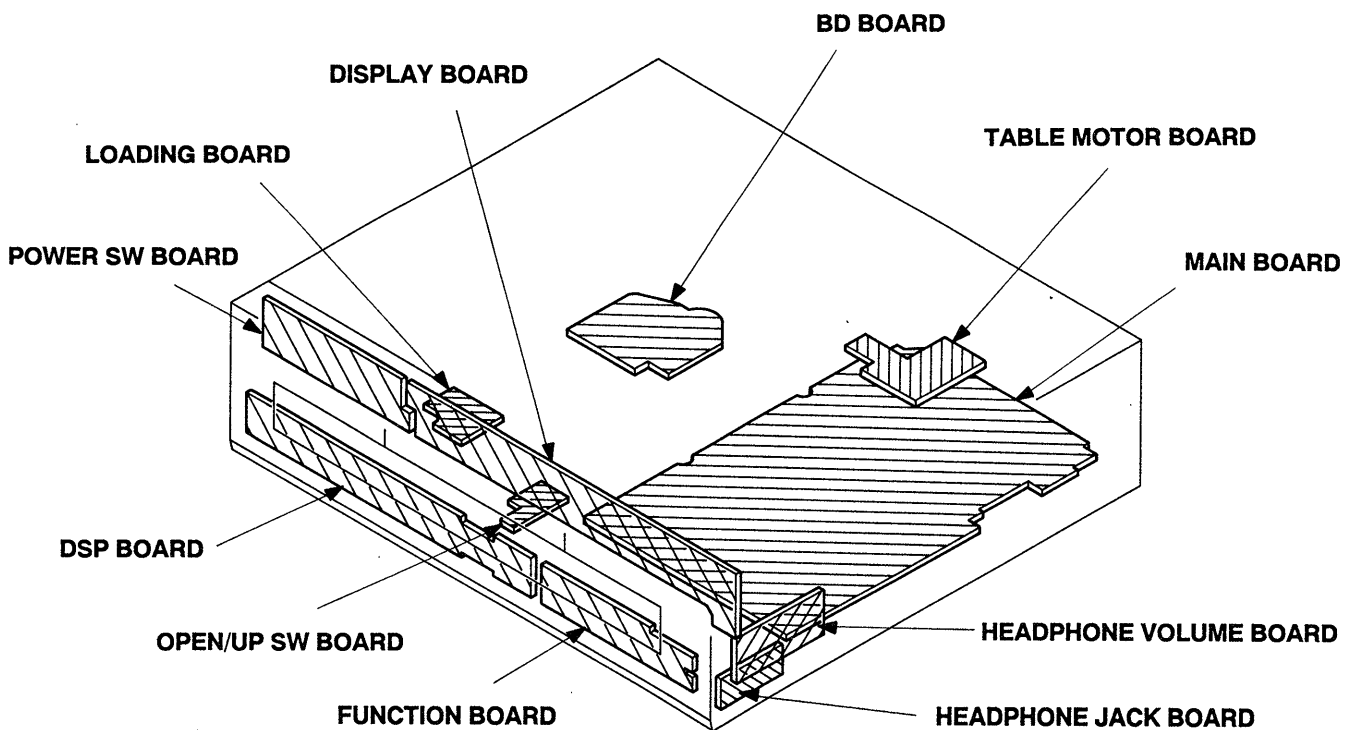


SECTION 4 DIAGRAMS

4-1. CIRCUIT BOARDS LOCATION



CDP-C625

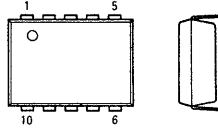


4-2. SEMICONDUCTOR LEAD LAYOUTS

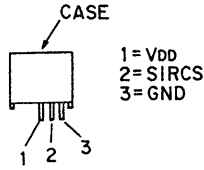
CXA1291P



LA5601



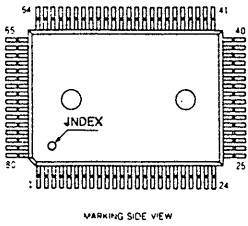
SBX1610-59



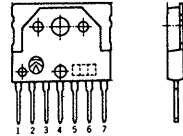
RC78L12A-T1



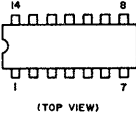
CXD2500AQ



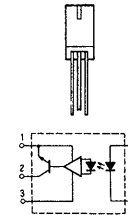
LA5602



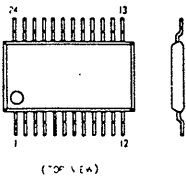
SN74HCU04AN



GP-1A521



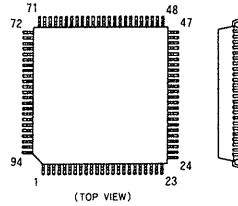
CXD2560M



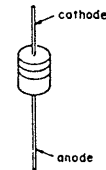
M5293L



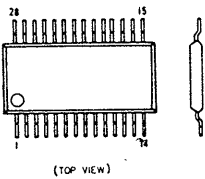
μPD75237GJ-024-5BG



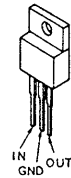
**11ES2
RD8.2ES-B2**



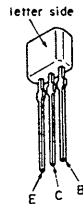
CXD2561BM



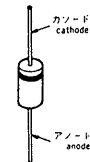
M5F7807L



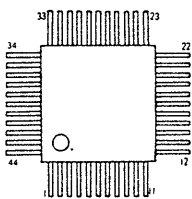
**2SA1175-HFE
2SC3623-LK
DTA124ES
DTC144ES**



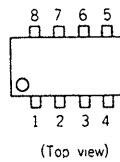
1N4148M



CXD2701Q



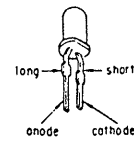
**MC33078
RC4556D
RC4558P
TL082ACP**



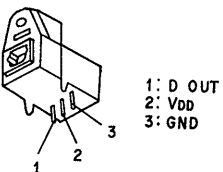
**2SC1815-Y
DTA144ES**



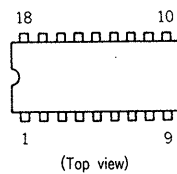
SEL2810A-C



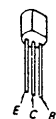
GP1F32T



MS51464-10NC

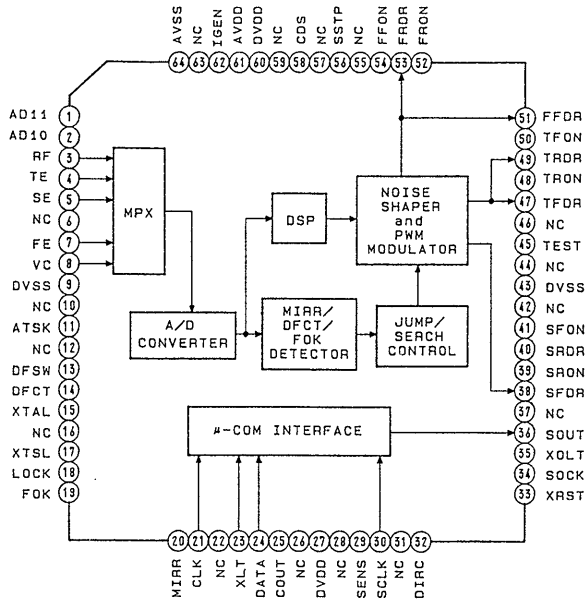


2SC2878-AB

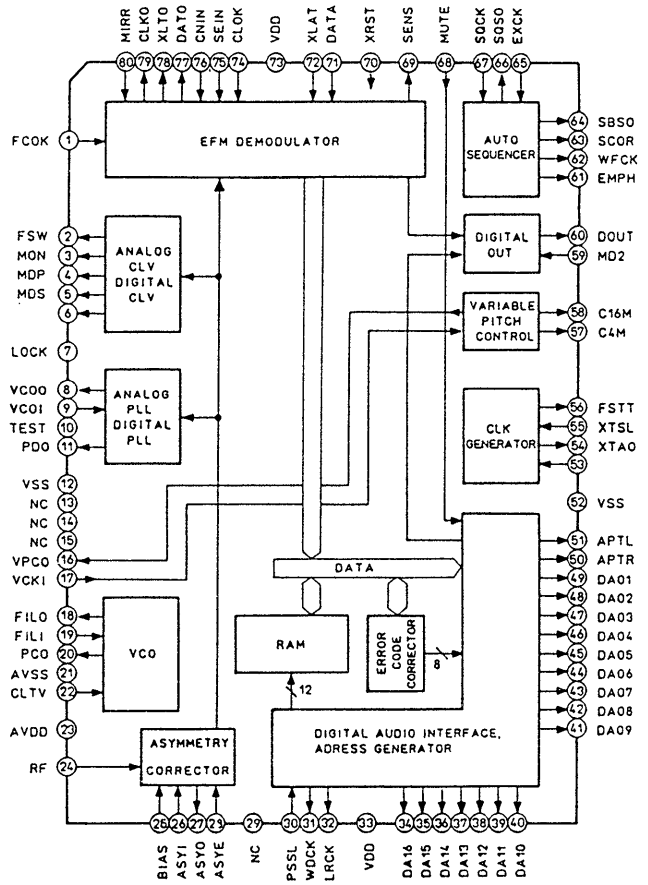


4-3. IC BLOCK DIAGRAMS

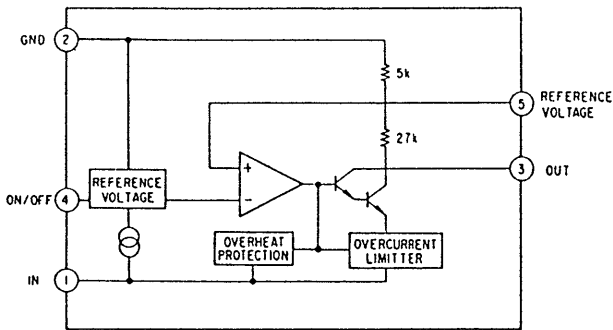
IC101 CXD2501Q



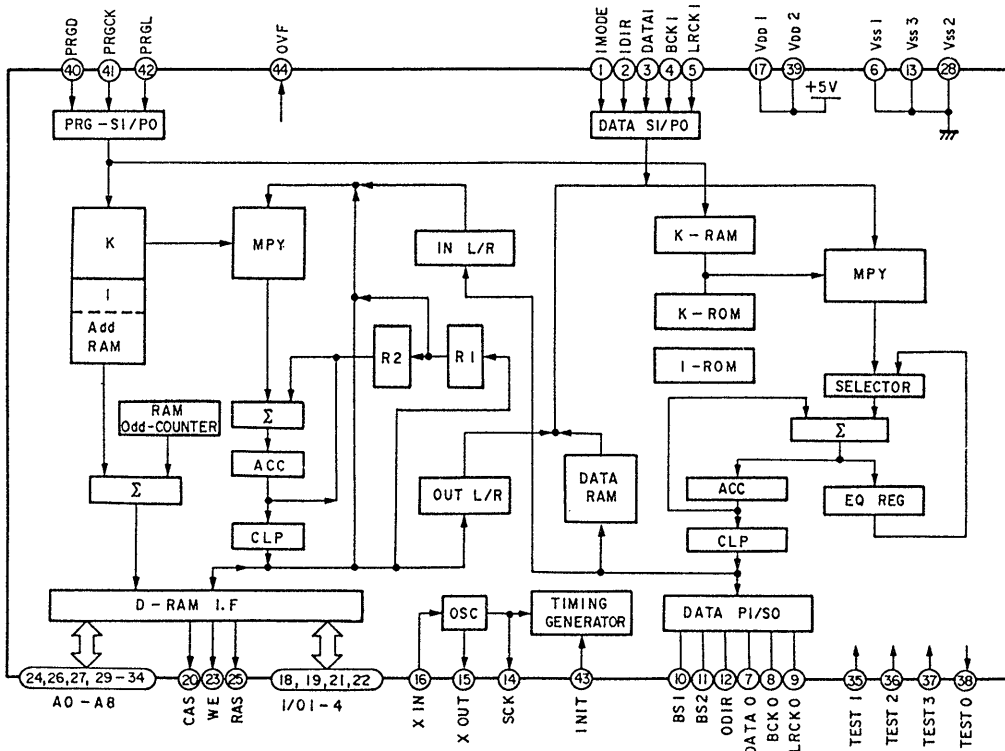
IC301 CXD2500Q



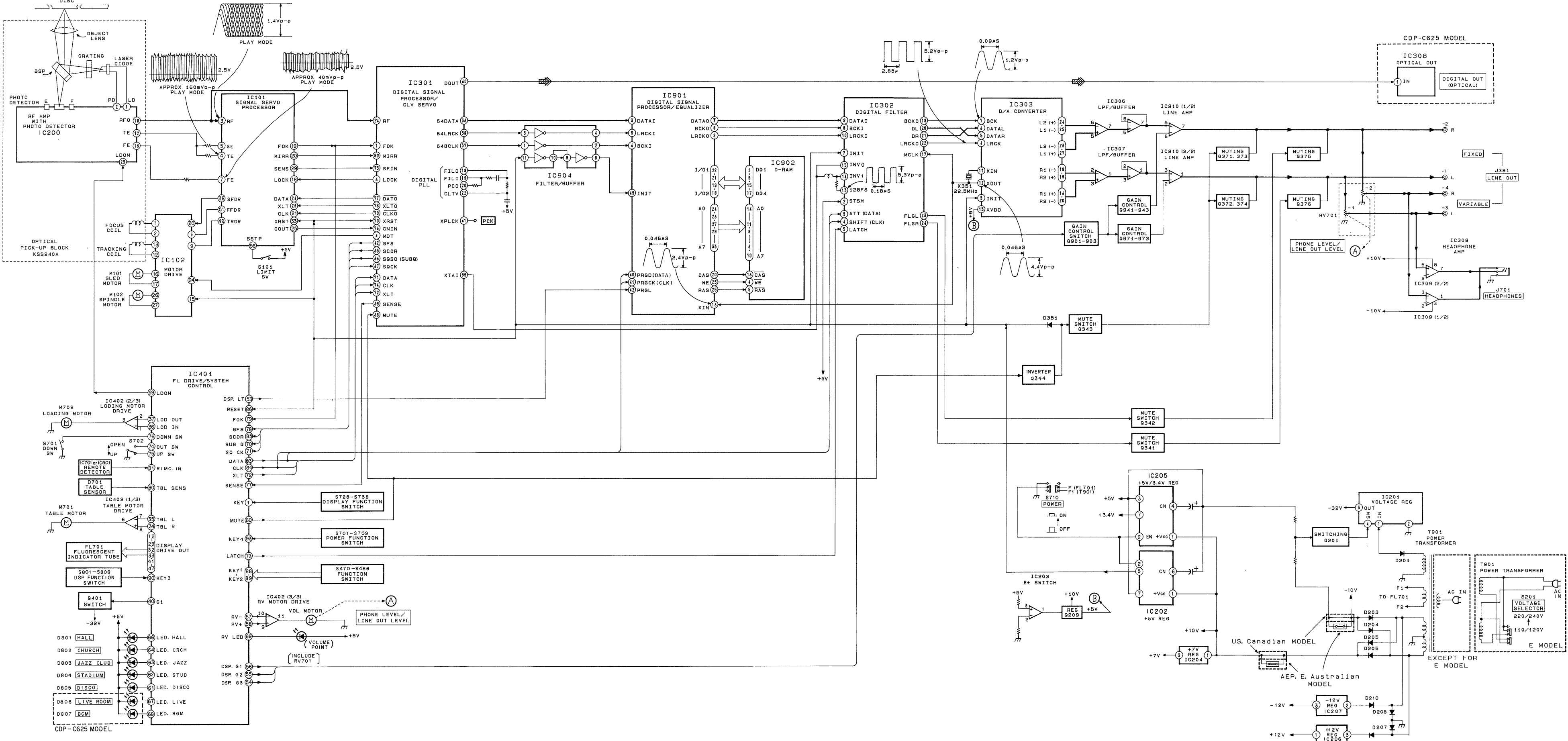
IC201 M5293L



IC901 CXD2701Q



4-4. BLOCK DIAGMS



4-5. PRINTED WIRING BOARDS

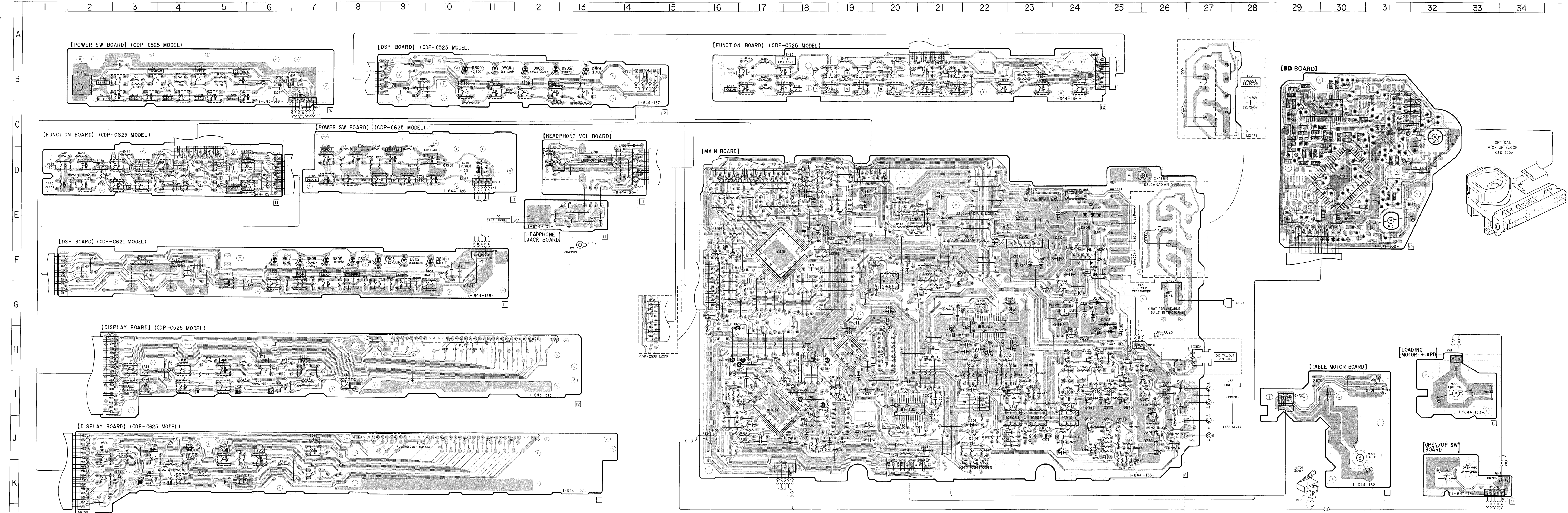
- Refer to page 10 for Semiconductor Lead Layouts.
- Refer to page 11 for IC BLOCK Diagrams.

• Semiconductor Location

Ref.No.	Location
D201	F-25
D202	F-25
D203	E-25
D204	E-25
D205	F-25
D206	E-24
D207	H-25
D208	G-25
D209	H-25
D210	G-25
D351	J-22
D701	I-31
D801(C525)	B-13
D802(C525)	B-13
D803(C525)	B-12
D804(C525)	B-11
D805(C525)	B-11
D801(C625)	F-10
D802(C625)	F-9
D803(C625)	F-9
D804(C625)	F-8
D805(C625)	F-8
D806(C625)	F-7
D807(C625)	F-6
IC101	D-30
IC102	C-30
IC201	F-24
IC202	F-23
IC203	F-21
IC204	F-24
IC205	G-20
IC206	H-24
IC207	G-24
IC301	I-18
IC302	I-21
IC303	H-22
IC306	J-23
IC307	J-23
IC308	H-27
IC309	E-21
IC401	F-18
IC402	E-19
IC701	B-2
IC801	F-11
IC901	H-19
IC902	H-20
IC904	J-19
IC910	J-24
Q201	G-24
Q209	G-22
Q341	K-22
Q342	K-22
Q343	K-22
Q344	J-22
Q371	I-25
Q372	J-26
Q373	I-26
Q374	J-26
Q375	I-26
Q376	J-26
Q401	E-16
Q901	H-24
Q902	H-25
Q903	H-25
Q941	I-25
Q942	I-25
Q943	I-25
Q971	J-25
Q972	J-25
Q973	J-25

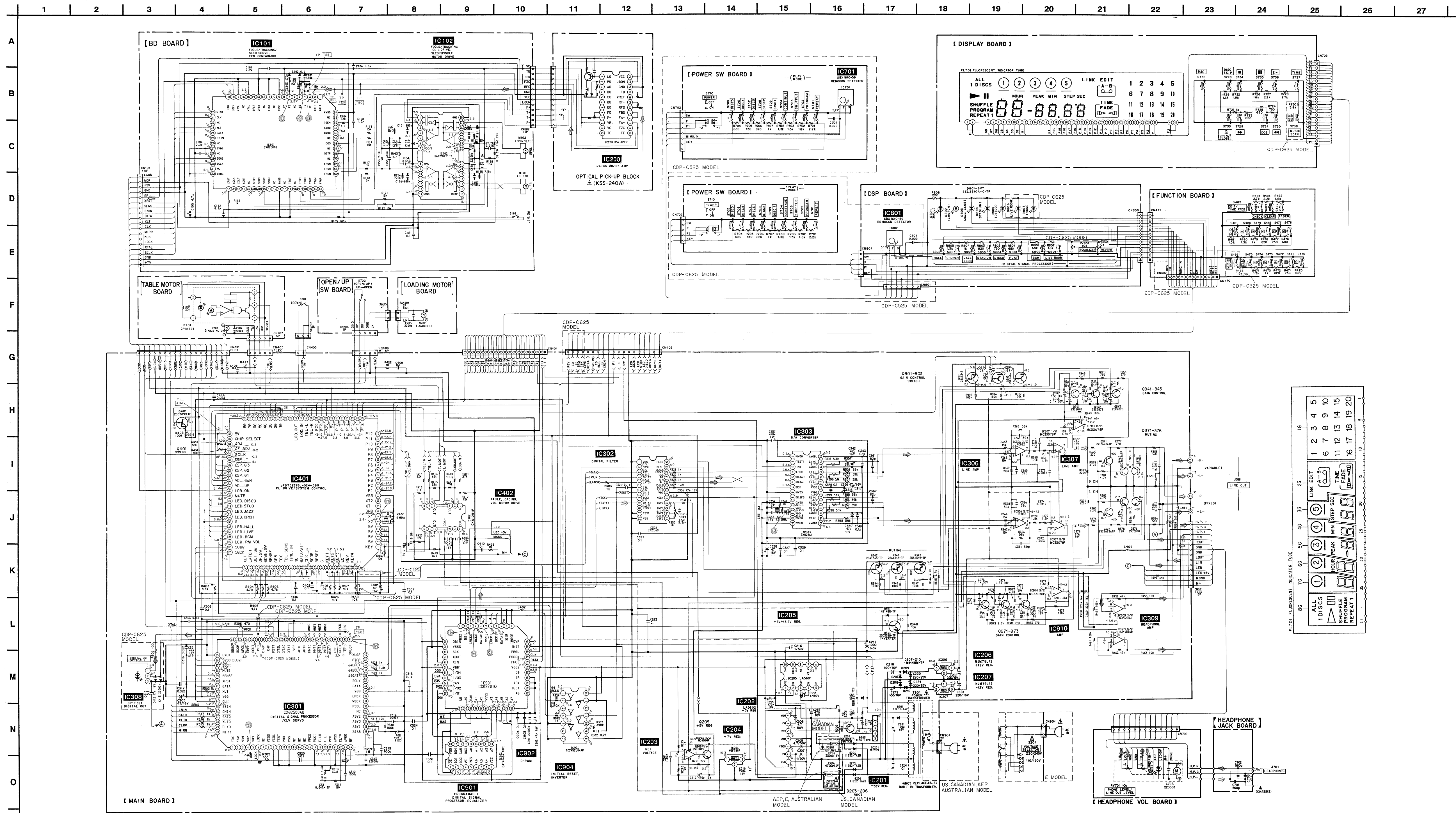
Note on Mounting Diagram:

- Note:
- : parts extracted from the component side.
 - : Through hole.
 - ▨ : Pattern on the side which is seen.
 - ▩ : Pattern of the rear side.



4-6. SCHEMATIC DIAGRAM

- Refer to page 10 for Semiconductor Lead Layouts.
- Refer to page 11 for IC BLOCK Diagrams.



Note on Schematic Diagram:

Note:

- All capacitors are in μF unless otherwise noted. pF: $\mu \mu F$ 50WV or less are not indicated except for electrolytics and tantalums.
- All resistors are in Ω and 1/4W or less unless otherwise specified.

Note: The components identified by mark Δ or dotted line with mark Δ are critical for safety. Replace only with part number specified.

Note: Les composants identifiés par une marque Δ sont critiques pour la sécurité. Ne les remplacer que par une pièce portant le numéro spécifié.

- —: B+ line
- ---: B- line
- □: adjustment for repair.
- Voltage and waveforms are dc with respect to ground under no-signal (detuned) conditions.
- Voltages are taken with a VOM (Input Impedance 10 M Ω) Voltage variations may be noted due to normal production tolerances.
- Waveforms are taken with an oscilloscope. Voltage variations may be noted due to normal production tolerances.
- Circled numbers refer to waveforms.
- Signal path.
- \Rightarrow : CD

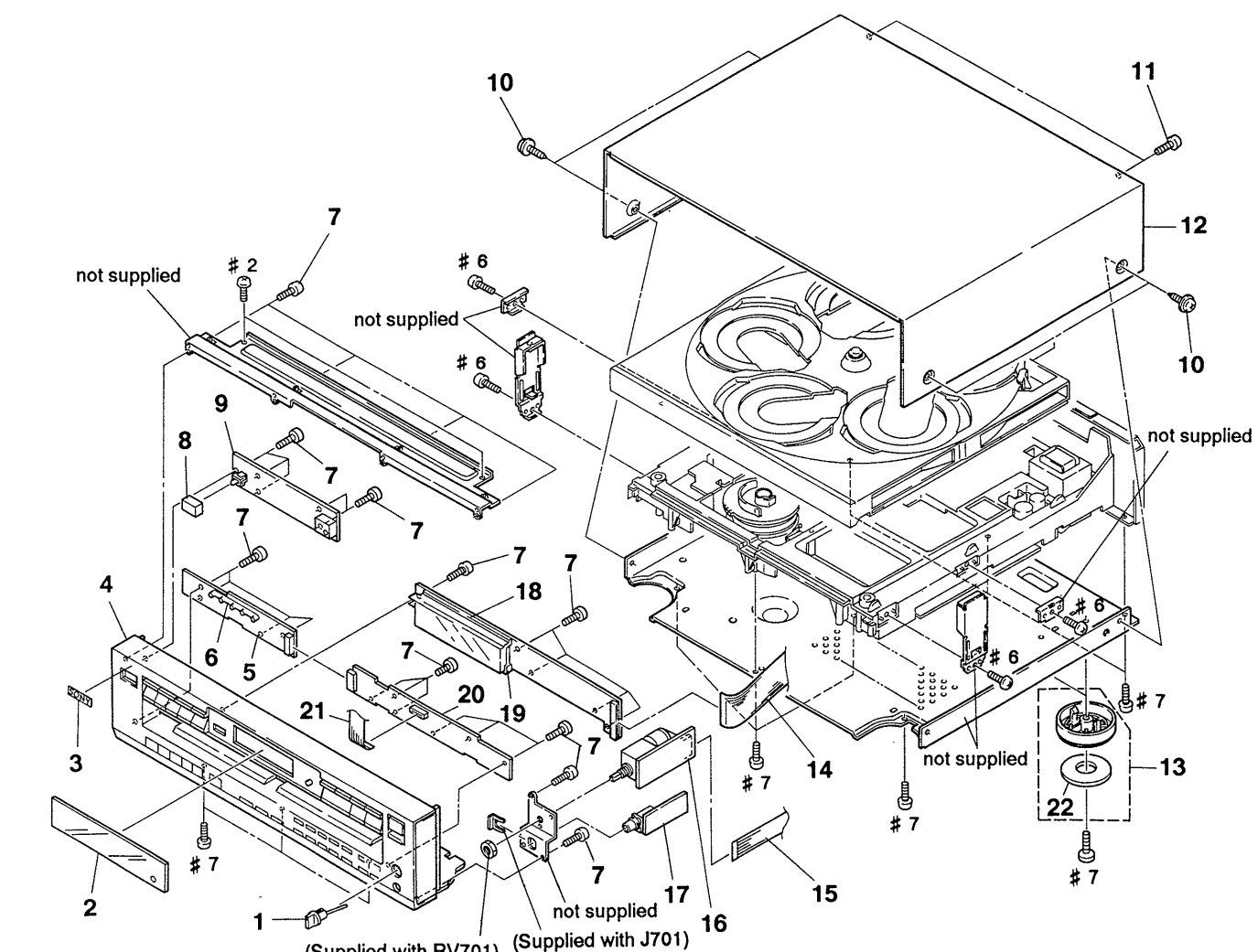
**SECTION 5
EXPLODED VIEWS**

NOTE:

- XX, -X mean standardized parts, so they may have some difference from the original one.
- Color Indication of Appearance Parts Example: KNOB, BALANCE (WHITE)... (RED)
↑ ↑
Parts color Cabinet's color
- Items marked " * " are not stocked since they are seldom required for routine service. Some delay should be anticipated when ordering these items.
- The mechanical parts with no reference number in the exploded views are not supplied.
- Hardware (# mark) list is given in the last of this parts list.

The components identified by mark Δ or dotted line with mark Δ are critical for safety. Replace only with part number specified.
Les composants identifiés par une marque Δ sont critiques pour la sécurité. Ne les remplacer que par une pièce portant le numéro spécifié.

5-1. FRONT PANEL AND CASE ASSEMBLIES (CDP-C525 model)



Ref. No.	Part No.	Description	Remark	Ref. No.	Part No.	Description	Remark
1	A-4660-105-A	KNOB (HP) ASSY		12	4-944-153-01	CASE	
2	4-950-862-01	PLATE (FL), INDICATION		13	X-4942-197-1	FOOT ASSY (US, Canadian)	
3	4-925-534-11	EMBLEM (S-A), SONY (AEP, E, Australian)		13	X-4942-196-1	FOOT ASSY (AEP, E, Australian)	
4	X-4942-482-1	PANEL ASSY, FRONT (US, Canadian)		14	1-690-933-11	WIRE (FLAT TYPE) (32 CORE)	
4	X-4942-483-1	PANEL ASSY, FRONT (AEP, E, Australian)		15	1-690-934-11	WIRE (FLAT TYPE) (13 CORE)	
* 5	1-644-137-11	DSP BOARD		* 16	1-644-130-11	HEADPHONE VOLUME BOARD	
* 6	4-950-865-01	HOLDER (LED)		* 17	1-844-131-11	HEADPHONE JACK BOARD	
7	4-951-620-01	SCREW (2, 6X8), +BVTP		* 18	1-643-515-11	DISPLAY BOARD	
8	4-922-921-01	BUTTON (POWER)		* 19	4-950-864-01	HOLDER (FL)	
* 9	1-643-516-11	POWER SW BOARD		* 20	A-4649-296-A	FUNCTION BOARD, COMPLETE	
10	3-704-366-01	SCREW (CASE) (M3X8)		21	1-690-932-11	WIRE (FLAT TYPE) (15 CORE)	
11	3-703-685-21	SCREW (+BV 3X8)		22	4-923-836-11	CUSHION	

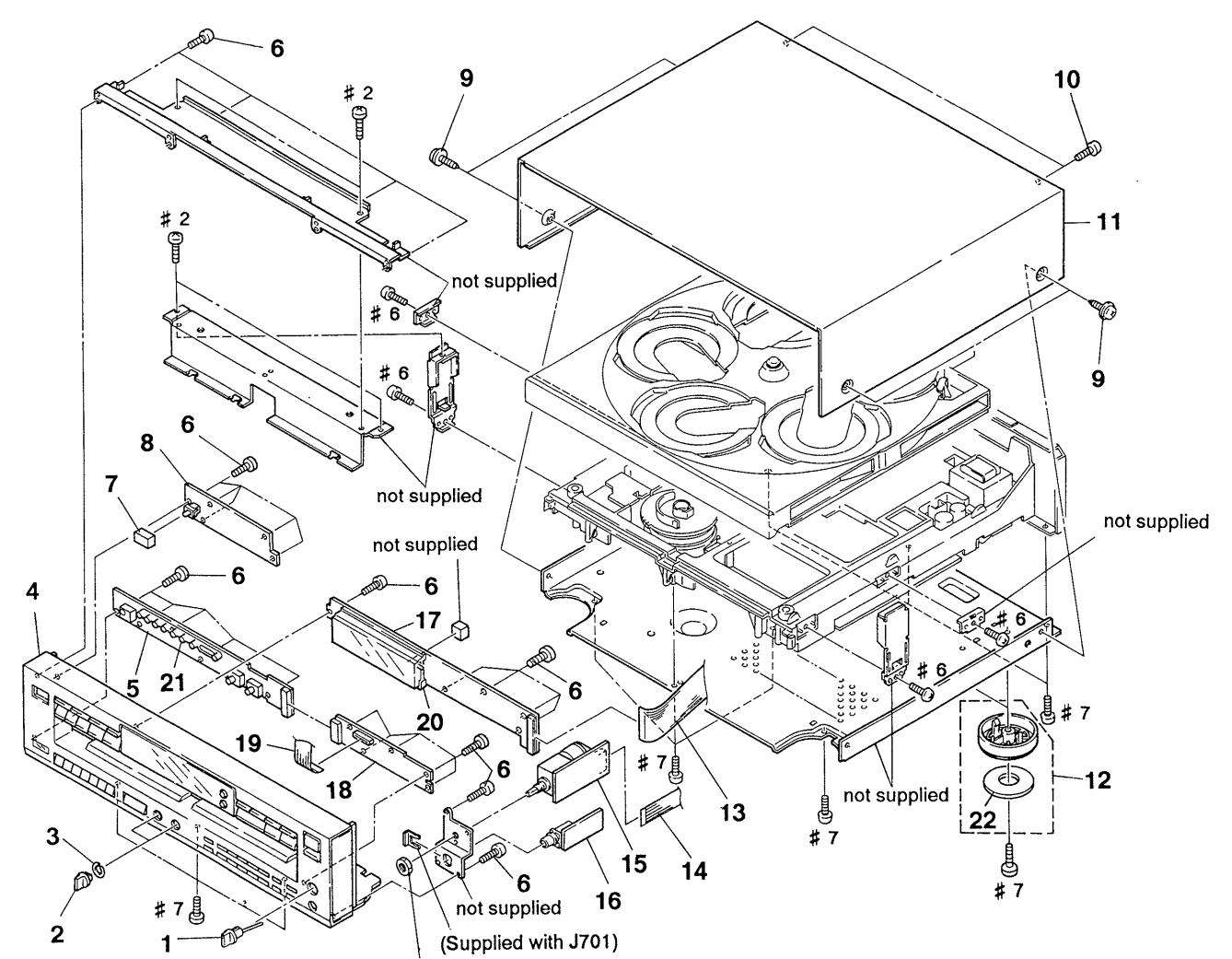
**SECTION 5
EXPLODED VIEWS**

NOTE:

- XX, -X mean standardized parts, so they may have some difference from the original one.
- Color Indication of Appearance Parts Example: KNOB, BALANCE (WHITE)... (RED)
↑ ↑
Parts color Cabinet's color
- Items marked " * " are not stocked since they are seldom required for routine service. Some delay should be anticipated when ordering these items.
- The mechanical parts with no reference number in the exploded views are not supplied.
- Hardware (# mark) list is given in the last of this parts list.

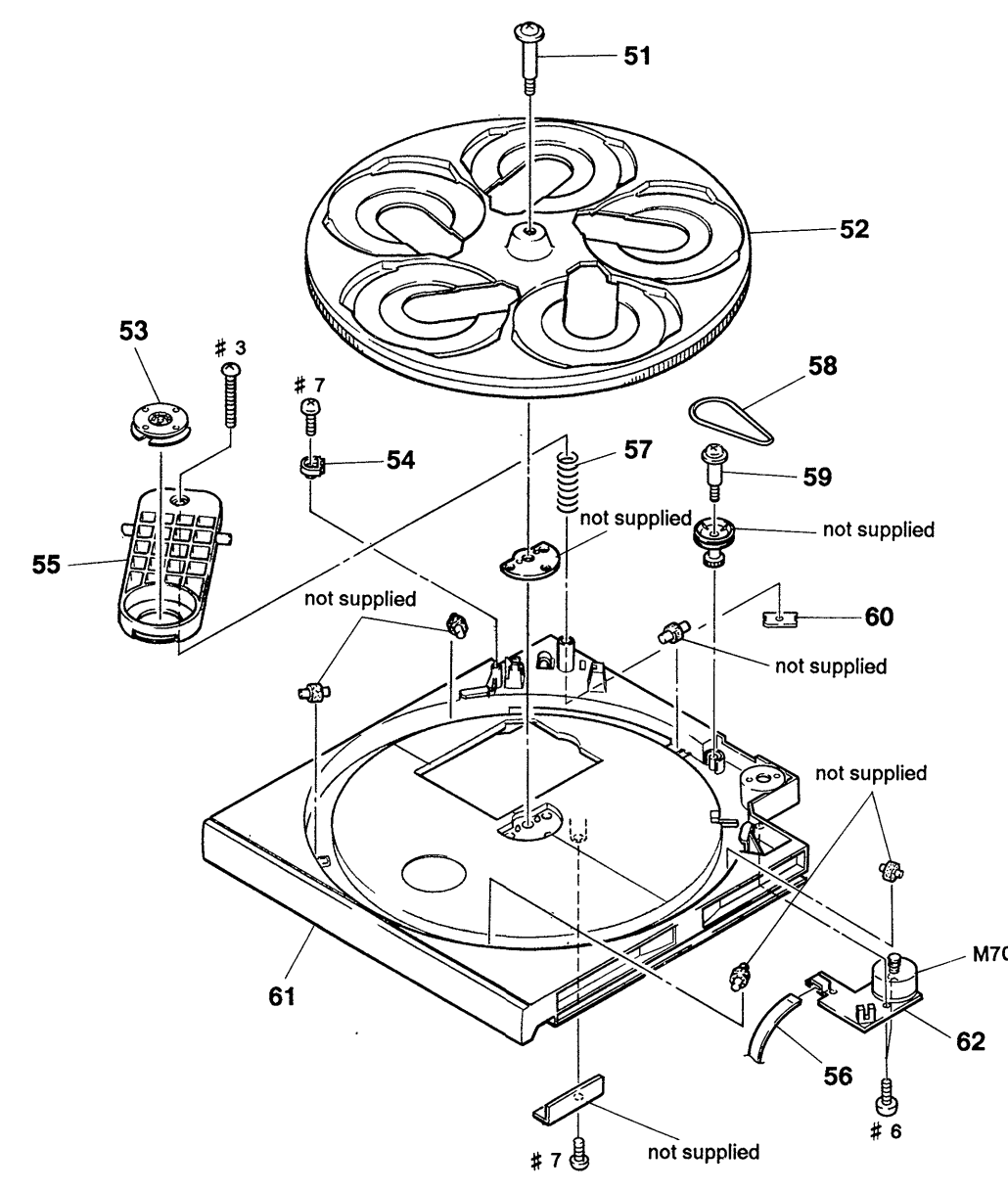
The components identified by mark Δ or dotted line with mark Δ are critical for safety. Replace only with part number specified.
Les composants identifiés par une marque Δ sont critiques pour la sécurité. Ne les remplacer que par une pièce portant le numéro spécifié.

5-1. FRONT PANEL AND CASE ASSEMBLIES (CDP-C625 model)



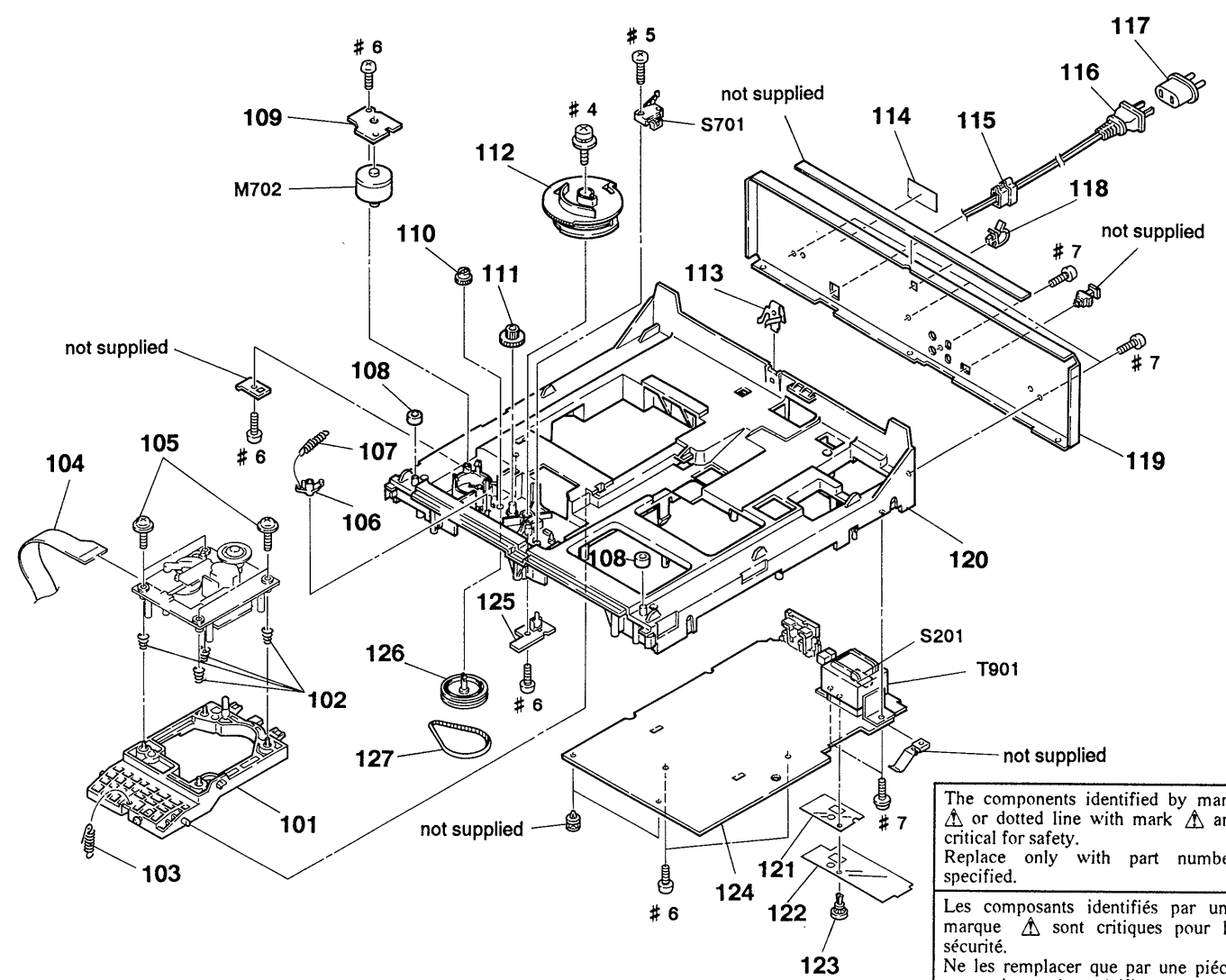
Ref. No.	Part No.	Description	Remark	Ref. No.	Part No.	Description	Remark
1	A-4660-105-A	KNOB (HP) ASSY		12	X-4942-197-1	FOOT ASSY	
2	4-944-154-01	KNOB (DSP)		13	1-690-933-11	WIRE (FLAT TYPE) (32 CORE)	
3	3-354-981-01	SPRING (SUS), RING		14	1-690-934-11	WIRE (FLAT TYPE) (13 CORE)	
4	X-4942-669-1	PANEL ASSY, FRONT		* 15	1-644-130-11	HEADPHONE VOLUME BOARD	
* 5	1-644-128-11	DSP BOARD		* 16	1-844-131-11	HEADPHONE JACK BOARD	
6	4-951-620-01	SCREW (2, 6X8), +BVTP		* 17	1-844-127-11	DISPLAY BOARD	
7	4-922-921-01	BUTTON (POWER)		* 18	1-844-129-11	FUNCTION BOARD	
8	1-644-126-11	POWER SW BOARD		19	1-690-931-11	WIRE (FLAT TYPE) (19 CORE)	
9	3-704-366-01	SCREW (CASE) (M3X8)		* 20	4-950-864-01	HOLDER (FL)	
10	3-703-685-21	SCREW (+BV 3X8)		* 21	4-952-230-01	HOLDER (LED)	
* 11	4-944-153-01	CASE		22	4-923-836-11	CUSHION	

5-2. DISC TRAY ASSEMBLY



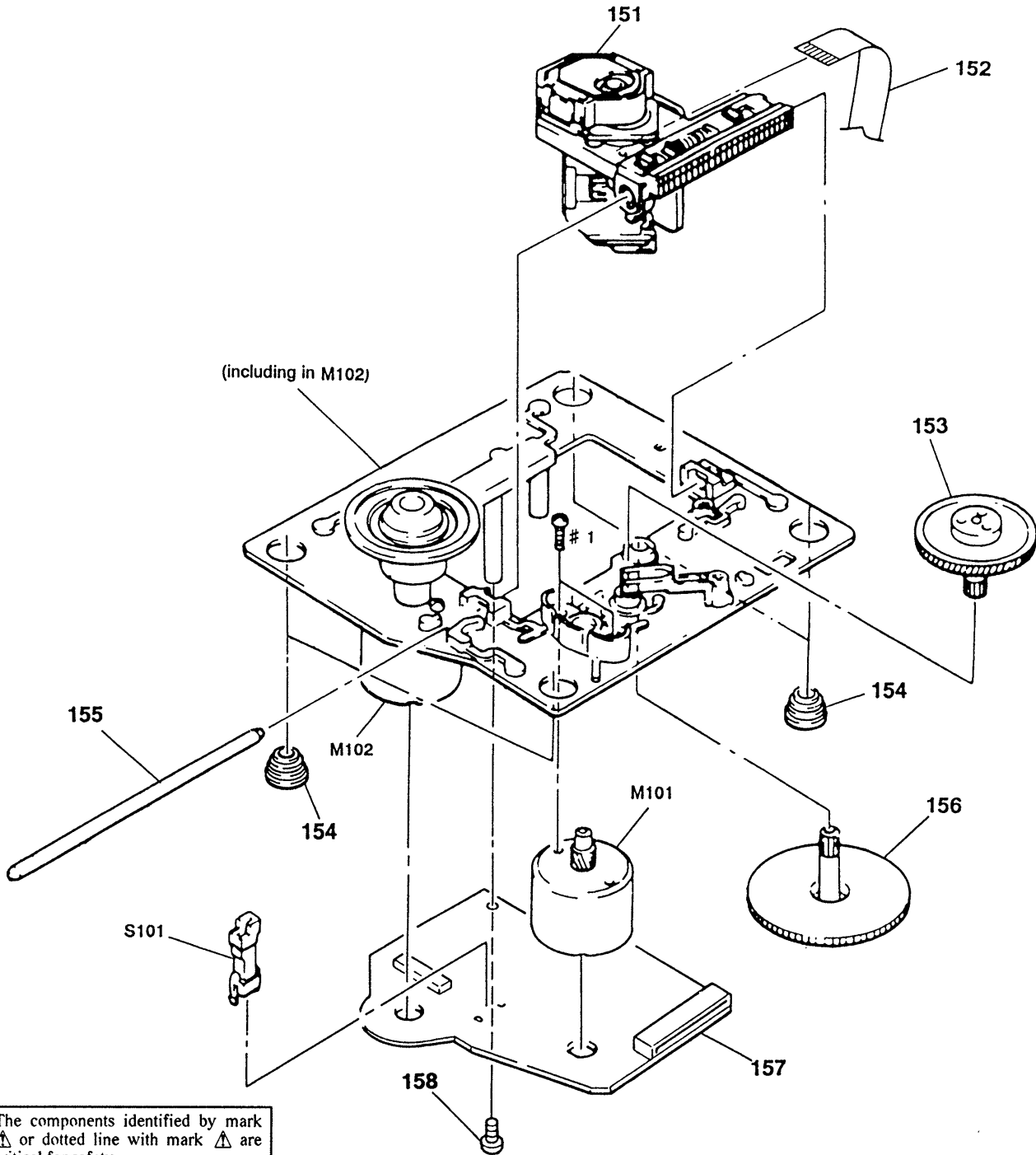
Ref. No.	Part No.	Description	Remark	Ref. No.	Part No.	Description	Remark
51	4-926-384-01	SCREW, STEP		58	4-926-399-01	BELT	
* 52	4-926-383-01	TABLE (B), DISK		* 59	4-923-597-01	SCREW, STEP	
* 53	1-452-538-11	MAGNET		* 60	4-926-388-01	BRACKET (ADJUSTMENT)	
* 54	4-949-226-01	PLATE, LOCK					
* 55	4-930-506-02	BRACKET (PRESS PULLEY)		61	4-950-866-01	TABLE (A), DISK	
				* 62	1-644-132-11	TABLE MOTOR BOARD	
56	1-590-849-11	WIRE, FLAT TYPE (5 CORE)		M701	A-4604-585-A	MOTOR ASSY, ROTARY (TABLE)	
57	4-926-395-01	SPRING, COMPRESSION					

5-3. CHASSIS ASSEMBLY



Ref. No.	Part No.	Description	Remark	Ref. No.	Part No.	Description	Remark
* 101	4-934-373-01	BRACKET (BU)		* 119	4-949-993-21	PANEL, BACK (C525:AEP)	
102	4-949-385-01	SPRING (D), COIL		* 119	4-949-993-41	PANEL, BACK (C525:Australian)	
103	4-937-911-01	SPRING, TENSION		* 119	4-949-993-31	PANEL, BACK (C525:E)	
104	1-694-003-11	JUMPER, FILM (WITH TERMINAL)		* 119	4-951-174-01	PANEL, BACK (C625)	
105	4-933-134-01	SCREW (+PTPHW M2, 6X6)		* 120	4-943-997-01	CHASSIS	
106	4-917-519-01	LEVER, SET		* 121	4-951-933-02	SHEET, INSULATING (C525:AEP, Australian)	
107	4-951-618-01	TENSION		* 122	4-944-178-01	SHEET (INSULATING)	
* 108	1-644-133-11	LOADING MOTOR BOARD		123	3-531-576-11	RIVET	
* 109	1-644-133-11	LOADING MOTOR BOARD		* 124	A-4649-295-A	MAIN BOARD, COMPLETE (C525:US, Canadian)	
110	4-934-375-01	GEAR (LOADING B)		* 124	A-4649-297-A	MAIN BOARD, COMPLETE (C525:AEP, Australian)	
111	4-934-381-01	GEAR (LOADING C)		* 124	A-4649-305-A	MAIN BOARD, COMPLETE (C625)	
112	4-934-391-01	GEAR (LOADING A)		* 124	A-4649-311-A	MAIN BOARD, COMPLETE (C525:E)	
* 113	4-943-996-01	SPRING, LEAF		* 125	1-644-134-11	OPEN/UP SW BOARD	
* 114	4-941-548-01	LABEL, CLASS 1 (C525:AEP, E, Australian)		126	X-4941-529-1	PULLEY ASSY	
* 115	3-703-244-00	BUSHING (2104), CORD (EXCEPT C525:E)		127	4-944-490-01	BELT (TIMING)	
				M702	A-4604-834-A	MOTOR ASSY, LOADING	
				* S201	1-571-722-11	SWITCH, VOLTAGE SELECTION (C525:E)	
* 115	3-703-571-11	BUSHING (S) (4516), CORD (C525:E)		S701	1-572-713-11	SWITCH, PUSH (WITH CONNECTOR) (DOWN)	
* 116	1-558-943-41	CORD, POWER (C525:E)		* T901	1-449-955-11	TRANSFORMER, POWER (C525:AEP, Australian)	
* 116	1-574-358-31	CORD, POWER (WITH CONNECTOR)		* T901	1-449-956-11	TRANSFORMER, POWER (C525:E)	
				* T901	1-450-876-11	TRANSFORMER, POWER (C525:US, Canadian / C625)	

5-4. OPTICAL PICK-UP BLOCK ASSEMBLY (BU-5BD8B)



The components identified by mark Δ or dotted line with mark Δ are critical for safety. Replace only with part number specified.

Les composants identifiés par une marque Δ sont critiques pour la sécurité. Ne les remplacer que par une pièce portant le numéro spécifié.

Ref. No.	Part No.	Description	Remark	Ref. No.	Part No.	Description	Remark
Δ 151	8-848-144-11	DEVICE, OPTICAL KSS-240A		* 157	A-4649-199-A	BD BOARD, COMPLETE	
152	1-575-001-11	WIRE, FLAT TYPE (12 CORE)		158	4-951-620-01	SCREW (2.6X8), +BVTP	
153	4-917-567-01	GEAR (M)		M101	X-4917-504-1	MOTOR ASSY (SLED)	
154	4-951-940-01	INSULATOR (BU)		M102	X-4917-523-3	BASE (OUTSERT) ASSY (SPINDLE)	
155	4-917-565-01	SHAFT, SLED		S101	1-572-085-11	SWITCH, LEAF (LIMIT IN)	
156	4-917-564-01	GEAR (P), FLATNESS					

MAIN

Ref. No.	Part No.	Description		Remark	Ref. No.	Part No.	Description		Remark
C215	1-124-997-11	ELECT	470uF	20% 10V	C366	1-162-213-31	CERAMIC	39PF	5% 50V
C216	1-126-301-11	ELECT	1uF	20% 50V	C367	1-162-280-31	CERAMIC	82PF	10% 50V
C217	1-124-471-00	ELECT	1000uF	20% 6. 3V	C371	1-130-479-00	MYLAR	0. 0047uF	5% 50V
C218	1-126-023-11	ELECT	100uF	20% 16V	C372	1-130-479-00	MYLAR	0. 0047uF	5% 50V
C219	1-126-023-11	ELECT	100uF	20% 16V	C373	1-130-472-00	MYLAR	0. 0012uF	5% 50V
C220	1-124-120-11	ELECT	220uF	20% 25V	C374	1-130-472-00	MYLAR	0. 0012uF	5% 50V
C221	1-124-120-11	ELECT	220uF	20% 25V	C377	1-126-022-11	ELECT	47uF	20% 16V
C222	1-126-024-11	ELECT	220uF	20% 16V	C378	1-126-022-11	ELECT	47uF	20% 16V
C223	1-126-024-11	ELECT	220uF	20% 16V	C379	1-130-472-00	MYLAR	0. 0012uF	5% 50V
C224	1-161-494-00	CERAMIC	0. 022uF	25V	C380	1-130-472-00	MYLAR	0. 0012uF	5% 50V
C301	1-124-589-11	ELECT	47uF	20% 16V	C401	1-126-022-11	ELECT	47uF	20% 16V
C303	1-164-159-11	CERAMIC	0. 1uF	50V	C402	1-164-159-11	CERAMIC	0. 1uF	50V
C305	1-126-022-11	ELECT	47uF	20% 16V	C403	1-126-023-11	ELECT	100uF	20% 16V
C306	1-164-159-11	CERAMIC	0. 1uF	50V	C404	1-126-023-11	ELECT	100uF	20% 16V
C307	1-164-159-11	CERAMIC	0. 1uF	50V	C408	1-164-159-11	CERAMIC	0. 1uF	50V
C311	1-130-491-00	MYLAR	0. 047uF	5% 50V	C409	1-164-159-11	CERAMIC	0. 1uF	50V
C312	1-161-374-11	CERAMIC	0. 0015uF	20% 50V	C410	1-164-159-11	CERAMIC	0. 1uF	50V
C313	1-161-494-00	CERAMIC	0. 022uF	25V	C412	1-126-022-11	ELECT	47uF	20% 16V (C625)
C314	1-162-306-11	CERAMIC	0. 01uF	20% 16V	C413	1-161-494-00	CERAMIC	0. 022uF	25V (C625)
C315	1-124-465-00	ELECT	0. 47uF	20% 50V	C414	1-161-494-00	CERAMIC	0. 022uF	25V
C316	1-161-494-00	CERAMIC	0. 022uF	25V	C415	1-164-159-11	CERAMIC	0. 1uF	50V
C317	1-161-494-00	CERAMIC	0. 022uF	25V	C416	1-164-159-11	CERAMIC	0. 1uF	50V
C318	1-164-159-11	CERAMIC	0. 1uF	50V	C450	1-126-024-11	ELECT	220uF	20% 16V
C319	1-162-282-31	CERAMIC	100PF	10% 50V	C460	1-126-024-11	ELECT	220uF	20% 16V
C320	1-130-483-00	MYLAR	0. 01uF	5% 50V	C901	1-161-494-00	CERAMIC	0. 022uF	25V
C321	1-164-159-11	CERAMIC	0. 1uF	50V	C902	1-126-022-11	ELECT	47uF	20% 16V
C322	1-164-159-11	CERAMIC	0. 1uF	50V	C903	1-164-159-11	CERAMIC	0. 1uF	50V
C323	1-164-159-11	CERAMIC	0. 1uF	50V	C904	1-164-159-11	CERAMIC	0. 1uF	50V
C324	1-164-159-11	CERAMIC	0. 1uF	50V	C941	1-162-219-31	CERAMIC	68PF	5% 50V
C327	1-164-159-11	CERAMIC	0. 1uF	50V	C942	1-126-022-11	ELECT	47uF	20% 16V
C328	1-126-022-11	ELECT	47uF	20% 16V	C943	1-124-463-00	ELECT	0. 1uF	20% 50V
C329	1-164-159-11	CERAMIC	0. 1uF	50V	C944	1-124-463-00	ELECT	0. 1uF	20% 50V
C331	1-162-208-31	CERAMIC	24PF	5% 50V	C945	1-124-463-00	ELECT	0. 1uF	20% 50V
C332	1-136-170-00	FILM	0. 27uF	5% 50V	C971	1-162-219-31	CERAMIC	68PF	5% 50V
C336	1-126-022-11	ELECT	47uF	20% 16V	C972	1-126-022-11	ELECT	47uF	20% 16V
C342	1-126-022-11	ELECT	47uF	20% 16V	C973	1-124-463-00	ELECT	0. 1uF	20% 50V
C343	1-164-159-11	CERAMIC	0. 1uF	50V	C974	1-124-463-00	ELECT	0. 1uF	20% 50V
C349	1-164-159-11	CERAMIC	0. 1uF	50V	C975	1-124-463-00	ELECT	0. 1uF	20% 50V
C350	1-126-022-11	ELECT	47uF	20% 16V	< CONNECTOR >				
C351	1-161-494-00	CERAMIC	0. 022uF	25V	* CN301	1-691-895-11	CONNECTOR, FFC/FPC 18P		
C353	1-162-205-31	CERAMIC	18PF	5% 50V	* CN381	1-691-892-11	CONNECTOR, FFC/FPC 13P		
C354	1-162-205-31	CERAMIC	18PF	5% 50V	* CN401	1-691-900-11	CONNECTOR, FFC/FPC 32P		
C355	1-161-494-00	CERAMIC	0. 022uF	25V	* CN402	1-691-894-11	CONNECTOR, FFC/FPC 15P (C525)		
C356	1-126-022-11	ELECT	47uF	20% 16V	* CN402	1-691-898-11	CONNECTOR, FFC/FPC 19P (C625)		
C357	1-124-997-11	ELECT	470uF	20% 10V	* CN403	1-568-824-11	SOCKET, CONNECTOR 5P		
C358	1-164-159-11	CERAMIC	0. 1uF	50V	* CN404	1-568-943-11	PIN, CONNECTOR 5P		
C361	1-162-280-31	CERAMIC	82PF	10% 50V	* CN470	1-691-893-11	CONNECTOR, FFC/FPC 15P (C525)		
C363	1-162-213-31	CERAMIC	39PF	5% 50V	* CN471	1-691-962-11	CONNECTOR, BOARD TO BOARD 14P (C525)		
C364	1-162-213-31	CERAMIC	39PF	5% 50V					
C365	1-162-213-31	CERAMIC	39PF	5% 50V					

MAIN

Ref. No.	Part No.	Description	Remark	Ref. No.	Part No.	Description	Remark
CN705	1-573-383-11	PIN, CONNECTOR (PC BOARD) 2P		L351	1-412-473-21	INDUCTOR	0uH
CN901	1-573-047-11	PIN, CONNECTOR (PC BOARD) 2P		L401	1-412-473-21	INDUCTOR	0uH
		(DIODE)		L402	1-412-473-21	INDUCTOR	0uH
D201	8-719-200-82	DIODE	11ES2			(IC LINK)	
D202	8-719-110-08	DIODE	RD8. 2ES-B2	△PS201	1-532-685-00	LINK, IC	(C525:AEP, E2/3, AUS)
D203	8-719-200-82	DIODE	11ES2	△PS202	1-532-637-00	LINK, IC	1.0A (C525:AEP, E2/3, AUS)
D204	8-719-200-82	DIODE	11ES2			(TRANSISTOR)	
D205	8-719-200-82	DIODE	11ES2				
D206	8-719-200-82	DIODE	11ES2	Q201	8-729-119-76	TRANSISTOR	2SA1175-HFE
D207	8-719-987-63	DIODE	1N4148M	Q209	8-729-281-52	TRANSISTOR	2SC1815-Y
D208	8-719-987-63	DIODE	1N4148M	Q341	8-729-900-65	TRANSISTOR	DTA144ES
D209	8-719-987-63	DIODE	1N4148M	Q342	8-729-900-65	TRANSISTOR	DTA144ES
D210	8-719-987-63	DIODE	1N4148M	Q343	8-729-900-65	TRANSISTOR	DTA144ES
D351	8-719-987-63	DIODE	1N4148M	Q344	8-729-900-89	TRANSISTOR	DTC144ES
		(IC)		Q371	8-729-141-30	TRANSISTOR	2SC3623A-LK
IC201	8-759-633-42	IC	M5293L	Q372	8-729-141-30	TRANSISTOR	2SC3623A-LK
IC202	8-759-061-65	IC	LA5602	Q373	8-729-141-30	TRANSISTOR	2SC3623A-LK
IC203	8-759-945-58	IC	RC4558P	Q374	8-729-141-30	TRANSISTOR	2SC3623A-LK
IC204	8-759-604-86	IC	M5F7807L	Q375	8-729-231-55	TRANSISTOR	2SC2878-AB
IC205	8-759-821-93	IC	LA5601	Q376	8-729-231-55	TRANSISTOR	2SC2878-AB
IC206	8-759-982-26	IC	RC78L12A	Q401	8-729-900-89	TRANSISTOR	DTC144ES
IC207	8-759-982-48	IC	NJM79L12A	Q901	8-729-900-63	TRANSISTOR	DTA124ES
IC301	8-752-337-26	IC	CXD2500AQ	Q902	8-729-900-63	TRANSISTOR	DTA124ES
IC302	8-752-342-65	IC	CXD2560M	Q903	8-729-900-63	TRANSISTOR	DTA124ES
IC303	8-752-351-19	IC	CXD2561BM (C525)	Q941	8-729-231-55	TRANSISTOR	2SC2878-AB
IC303	8-752-351-20	IC	CXD2561BM-1 (C625)	Q942	8-729-231-55	TRANSISTOR	2SC2878-AB
IC306	8-759-503-91	IC	TL082ACP	Q943	8-729-231-55	TRANSISTOR	2SC2878-AB
IC307	8-759-073-60	IC	MC33078	Q971	8-729-231-55	TRANSISTOR	2SC2878-AB
IC308	8-749-921-12	IC	GP1F32T (C625)	Q972	8-729-231-55	TRANSISTOR	2SC2878-AB
IC309	8-759-981-85	IC	RC4556D	Q973	8-729-231-55	TRANSISTOR	2SC2878-AB
IC401	8-759-066-14	IC	μPD75237GJ-024-5BG			(RESISTOR)	
IC402	8-759-821-32	IC	CXA1291P	R201	1-249-435-11	CARBON	33K 5% 1/4W
IC901	8-752-341-99	IC	CXD2701Q	R202	1-249-438-11	CARBON	56K 5% 1/4W
IC902	8-759-508-41	IC	MS51464-10NC	R203	1-249-429-11	CARBON	10K 5% 1/4W
IC904	8-759-917-18	IC	SN74HCU04AN	R210	1-249-429-11	CARBON	10K 5% 1/4W
IC910	8-759-073-60	IC	MC33078	R211	1-249-410-11	CARBON	270 5% 1/4W
		(PIN JACK)		R215	1-249-417-11	CARBON	1K 5% 1/4W
* J381	1-569-443-11	JACK, PIN 4P (LINE OUT)		R302	1-249-417-11	CARBON	1K 5% 1/4W
		(COIL)		R303	1-249-417-11	CARBON	1K 5% 1/4W
L306	1-408-403-00	INDUCTOR	3. 3uH	R305	1-249-411-11	CARBON	330 5% 1/4W (C625)
L311	1-412-473-21	INDUCTOR	0uH	R306	1-249-413-11	CARBON	470 5% 1/4W
L313	1-412-473-21	INDUCTOR	0uH	R309	1-249-405-11	CARBON	100 5% 1/4W
L331	1-408-403-00	INDUCTOR	3. 3uH	R311	1-249-423-11	CARBON	3. 3K 5% 1/4W
L350	1-412-473-21	INDUCTOR	0uH	R312	1-249-429-11	CARBON	10K 5% 1/4W
				R313	1-249-423-11	CARBON	3. 3K 5% 1/4W
				R314	1-249-429-11	CARBON	10K 5% 1/4W
				R315	1-249-417-11	CARBON	1K 5% 1/4W
				R316	1-249-417-11	CARBON	1K 5% 1/4W

The components identified by mark \triangle or dotted line with mark \triangle are critical for safety.
Replace only with part number specified.

Les composants identifiés par une marque \triangle sont critiques pour la sécurité.
Ne les remplacer que par une pièce portant le numéro spécifié.

MAIN

Ref. No.	Part No.	Description	Remark	Ref. No.	Part No.	Description	Remark
R317	1-249-417-11	CARBON	1K 5% 1/4W	R385	1-249-393-11	CARBON	10 5% 1/4W
R318	1-249-441-11	CARBON	100K 5% 1/4W	R386	1-249-393-11	CARBON	10 5% 1/4W
R319	1-247-903-00	CARBON	1M 5% 1/4W	R389	1-249-414-11	CARBON	560 5% 1/4W
R321	1-249-417-11	CARBON	1K 5% 1/4W	R390	1-249-414-11	CARBON	560 5% 1/4W
R322	1-249-417-11	CARBON	1K 5% 1/4W	R396	1-247-848-11	CARBON	5.1K 5% 1/4W
R323	1-249-417-11	CARBON	1K 5% 1/4W	R397	1-247-848-11	CARBON	5.1K 5% 1/4W
R324	1-249-418-11	CARBON	1.2K 5% 1/4W	R398	1-247-848-11	CARBON	5.1K 5% 1/4W
R330	1-249-417-11	CARBON	1K 5% 1/4W	R399	1-247-848-11	CARBON	5.1K 5% 1/4W
R331	1-249-417-11	CARBON	1K 5% 1/4W	R403	1-249-425-11	CARBON	4.7K 5% 1/4W
R332	1-247-893-11	CARBON	390K 5% 1/4W	R404	1-249-425-11	CARBON	4.7K 5% 1/4W
R342	1-249-417-11	CARBON	1K 5% 1/4W	R405	1-249-425-11	CARBON	4.7K 5% 1/4W
R343	1-249-441-11	CARBON	100K 5% 1/4W	R406	1-249-425-11	CARBON	4.7K 5% 1/4W
R344	1-249-441-11	CARBON	100K 5% 1/4W	R408	1-249-441-11	CARBON	100K 5% 1/4W
R345	1-249-425-11	CARBON	4.7K 5% 1/4W	R409	1-249-434-11	CARBON	27K 5% 1/4W
R346	1-249-425-11	CARBON	4.7K 5% 1/4W	R410	1-249-441-11	CARBON	100K 5% 1/4W
R347	1-249-441-11	CARBON	100K 5% 1/4W	R411	1-247-876-11	CARBON	75K 5% 1/4W
R348	1-249-429-11	CARBON	10K 5% 1/4W	R412	1-247-876-11	CARBON	75K 5% 1/4W
R351	1-249-436-11	CARBON	39K 5% 1/4W	R413	1-249-440-11	CARBON	82K 5% 1/4W
R352	1-249-436-11	CARBON	39K 5% 1/4W	R414	1-247-874-11	CARBON	62K 5% 1/4W
R353	1-249-436-11	CARBON	39K 5% 1/4W	R415	1-249-435-11	CARBON	33K 5% 1/4W
R354	1-249-436-11	CARBON	39K 5% 1/4W	R416	1-247-878-00	CARBON	91K 5% 1/4W
R355	1-249-436-11	CARBON	39K 5% 1/4W	R417	1-247-878-00	CARBON	91K 5% 1/4W
R356	1-249-436-11	CARBON	39K 5% 1/4W	R418	1-247-878-00	CARBON	91K 5% 1/4W
R357	1-249-436-11	CARBON	39K 5% 1/4W	R419	1-249-440-11	CARBON	82K 5% 1/4W
R358	1-249-436-11	CARBON	39K 5% 1/4W	R420	1-249-440-11	CARBON	82K 5% 1/4W
R359	1-247-903-00	CARBON	1M 5% 1/4W	R421	1-249-393-11	CARBON	10 5% 1/4W
R361	1-249-432-11	CARBON	18K 5% 1/4W	R422	1-249-393-11	CARBON	10 5% 1/4W
R362	1-249-432-11	CARBON	18K 5% 1/4W	R423	1-249-393-11	CARBON	10 5% 1/4W
R363	1-249-432-11	CARBON	18K 5% 1/4W	R424	1-249-411-11	CARBON	330 5% 1/4W
R364	1-249-432-11	CARBON	18K 5% 1/4W	R425	1-249-429-11	CARBON	10K 5% 1/4W
R365	1-249-438-11	CARBON	56K 5% 1/4W	R426	1-249-429-11	CARBON	10K 5% 1/4W
R366	1-249-438-11	CARBON	56K 5% 1/4W	R427	1-249-429-11	CARBON	10K 5% 1/4W
R367	1-249-438-11	CARBON	56K 5% 1/4W	R430	1-249-429-11	CARBON	10K 5% 1/4W
R368	1-249-438-11	CARBON	56K 5% 1/4W	R432	1-249-429-11	CARBON	10K 5% 1/4W
R369	1-249-419-11	CARBON	1.5K 5% 1/4W	R433	1-249-429-11	CARBON	10K 5% 1/4W
R370	1-249-419-11	CARBON	1.5K 5% 1/4W	R434	1-249-429-11	CARBON	10K 5% 1/4W
R371	1-249-419-11	CARBON	1.5K 5% 1/4W	R451	1-249-441-11	CARBON	100K 5% 1/4W
R372	1-249-419-11	CARBON	1.5K 5% 1/4W	R452	1-249-437-11	CARBON	47K 5% 1/4W
R373	1-247-887-00	CARBON	220K 5% 1/4W	R453	1-249-405-11	CARBON	100 5% 1/4W
R374	1-247-887-00	CARBON	220K 5% 1/4W	R461	1-249-441-11	CARBON	100K 5% 1/4W
R375	1-249-409-11	CARBON	220 5% 1/4W	R462	1-249-437-11	CARBON	47K 5% 1/4W
R376	1-249-409-11	CARBON	220 5% 1/4W	R463	1-249-405-11	CARBON	100 5% 1/4W
R377	1-249-409-11	CARBON	220 5% 1/4W	R470	1-249-415-11	CARBON	680 5% 1/4W (C525)
R378	1-249-409-11	CARBON	220 5% 1/4W	R471	1-247-828-11	CARBON	750 5% 1/4W (C525)
R379	1-249-425-11	CARBON	4.7K 5% 1/4W	R472	1-249-416-11	CARBON	820 5% 1/4W (C525)
R380	1-249-425-11	CARBON	4.7K 5% 1/4W	R473	1-249-417-11	CARBON	1K 5% 1/4W (C525)
R381	1-249-425-11	CARBON	4.7K 5% 1/4W	R474	1-247-834-11	CARBON	1.3K 5% 1/4W (C525)
R382	1-249-425-11	CARBON	4.7K 5% 1/4W	R475	1-249-419-11	CARBON	1.5K 5% 1/4W (C525)
R383	1-249-414-11	CARBON	560 5% 1/4W	R476	1-249-415-11	CARBON	680 5% 1/4W (C525)
R384	1-249-414-11	CARBON	560 5% 1/4W	R477	1-247-828-11	CARBON	750 5% 1/4W (C525)

MAIN

DISPLAY

Ref. No.	Part No.	Description	Remark
R478	1-249-416-11	CARBON 820 5% 1/4W (C525)	
R479	1-249-417-11	CARBON 1K 5% 1/4W (C525)	
R480	1-247-834-11	CARBON 1.3K 5% 1/4W (C525)	
R481	1-249-419-11	CARBON 1.5K 5% 1/4W (C525)	
R482	1-249-420-11	CARBON 1.8K 5% 1/4W (C525)	
R483	1-249-421-11	CARBON 2.2K 5% 1/4W (C525)	
R484	1-249-422-11	CARBON 2.7K 5% 1/4W (C525)	
R901	1-249-417-11	CARBON 1K 5% 1/4W	
R902	1-249-417-11	CARBON 1K 5% 1/4W	
R903	1-249-417-11	CARBON 1K 5% 1/4W	
R915	1-249-441-11	CARBON 100K 5% 1/4W	
R916	1-249-441-11	CARBON 100K 5% 1/4W	
R917	1-249-441-11	CARBON 100K 5% 1/4W	
R921	1-249-417-11	CARBON 1K 5% 1/4W	
R922	1-249-420-11	CARBON 1.8K 5% 1/4W	
R923	1-249-417-11	CARBON 1K 5% 1/4W	
R924	1-249-417-11	CARBON 1K 5% 1/4W	
R925	1-249-417-11	CARBON 1K 5% 1/4W	
R941	1-249-419-11	CARBON 1.5K 5% 1/4W	
R943	1-249-441-11	CARBON 100K 5% 1/4W	
R945	1-249-425-11	CARBON 4.7K 5% 1/4W	
R946	1-249-425-11	CARBON 4.7K 5% 1/4W	
R947	1-249-425-11	CARBON 4.7K 5% 1/4W	
R948	1-249-421-11	CARBON 2.2K 5% 1/4W	
R949	1-249-422-11	CARBON 2.7K 5% 1/4W	
R950	1-247-836-11	CARBON 1.6K 5% 1/4W	
R951	1-247-828-11	CARBON 750 5% 1/4W	
R952	1-247-832-11	CARBON 1.1K 5% 1/4W	
R953	1-249-410-11	CARBON 270 5% 1/4W	
R971	1-249-419-11	CARBON 1.5K 5% 1/4W	
R973	1-249-441-11	CARBON 100K 5% 1/4W	
R975	1-249-425-11	CARBON 4.7K 5% 1/4W	
R976	1-249-425-11	CARBON 4.7K 5% 1/4W	
R977	1-249-425-11	CARBON 4.7K 5% 1/4W	
R978	1-249-421-11	CARBON 2.2K 5% 1/4W	
R979	1-249-422-11	CARBON 2.7K 5% 1/4W	
R980	1-247-836-11	CARBON 1.6K 5% 1/4W	
R981	1-247-828-11	CARBON 750 5% 1/4W	
R982	1-247-832-11	CARBON 1.1K 5% 1/4W	
R983	1-249-410-11	CARBON 270 5% 1/4W	

< SWITCH >

△S201	1-571-722-11	SWITCH, VOLTAGE SELECTION (C525:E2/3)	
S470	1-554-303-21	SWITCH, TACTILE (10) (C525)	
S471	1-554-303-21	SWITCH, TACTILE (9) (C525)	
S472	1-554-303-21	SWITCH, TACTILE (8) (C525)	
S473	1-554-303-21	SWITCH, TACTILE (7) (C525)	
S474	1-554-303-21	SWITCH, TACTILE (6) (C525)	
S475	1-554-303-21	SWITCH, TACTILE (PEAK SERCH) (C525)	
S476	1-554-303-21	SWITCH, TACTILE (5) (C525)	

Ref. No.	Part No.	Description	Remark
S477	1-554-303-21	SWITCH, TACTILE (4) (C525)	
S478	1-554-303-21	SWITCH, TACTILE (3) (C525)	
S479	1-554-303-21	SWITCH, TACTILE (2) (C525)	
S480	1-554-303-21	SWITCH, TACTILE (1) (C525)	
S481	1-554-303-21	SWITCH, TACTILE (10) (C525)	
S482	1-554-303-21	SWITCH, TACTILE (FADER) (C525)	
S483	1-554-303-21	SWITCH, TACTILE (CLEAR) (C525)	
S484	1-554-303-21	SWITCH, TACTILE (CHECK) (C525)	
S485	1-554-303-21	SWITCH, TACTILE (EDIT/TIME FADER) (C525)	
S486	1-554-303-21	SWITCH, TACTILE (MUSIC SCAN) (C525)	
		< VIBRATOR >	
X351	1-579-314-11	VIBRATOR, CRYSTAL	
X401	1-577-358-21	VIBRATOR, CERAMIC	

*	1-643-515-11	DISPLAY BOARD (C525)	

*	1-644-127-11	DISPLAY BOARD (C625)	

*	4-950-864-01	HOLDER (FL)	
		< CONNECTOR >	
* CN705	1-691-899-11	CONNECTOR, FFC/FPC 32P	
		< TUBE INDICATOR >	
FL701	1-519-721-11	INDICATOR TUBE, FLUORESCENT	
		< RESISTOR >	
R721	1-249-417-11	CARBON 1K 5% 1/4W	
R722	1-249-419-11	CARBON 1.5K 5% 1/4W	
R723	1-249-416-11	CARBON 820 5% 1/4W	
R724	1-247-828-11	CARBON 750 5% 1/4W	
R725	1-249-415-11	CARBON 680 5% 1/4W	
R726	1-249-420-11	CARBON 1.8K 5% 1/4W	
R727	1-249-421-11	CARBON 2.2K 5% 1/4W	
R728	1-249-422-11	CARBON 2.7K 5% 1/4W	
R729	1-247-834-11	CARBON 1.3K 5% 1/4W	
R730	1-249-424-11	CARBON 3.9K 5% 1/4W (C625)	

< SWITCH >

S728	1-554-303-21	SWITCH, TACTILE (DISC SKIP)	
S729	1-554-303-21	SWITCH, TACTILE (▶▶)	
S730	1-554-303-21	SWITCH, TACTILE (◀◀)	
S731	1-554-303-21	SWITCH, TACTILE (▷◁)	
S732	1-554-303-21	SWITCH, TACTILE (◁◀)	
S733	1-554-303-21	SWITCH, TACTILE (△ OPEN/CLOSE)	
S734	1-554-303-21	SWITCH, TACTILE (■)	
S735	1-554-303-21	SWITCH, TACTILE (▣)	

The components identified by mark △ or dotted line with mark △ are critical for safety. Replace only with part number specified.

Les composants identifiés par une marque △ sont critiques pour la sécurité. Ne les remplacer que par une pièce portant le numéro spécifié.

DISPLAY

POWER SW

DSP

FUNCTION

Ref. No.	Part No.	Description	Remark	Ref. No.	Part No.	Description	Remark
S736	1-554-303-21	SWITCH, TACTILE (<>)				< CAPACITOR >	
S737	1-554-303-21	SWITCH, TACTILE (TIME)					
S738	1-554-303-21	SWITCH, TACTILE (MUSIC SCAN) (C625)		C801	1-161-494-00	CERAMIC 0.022uF 25V	

*	1-643-516-11	POWER SW BOARD (C525)		* CN800	1-691-188-11	CONNECTOR, BOARD TO BOARD 18P	
		*****				< DIODE >	
*	1-644-126-11	POWER SW BOARD (C625)		D801	8-719-301-52	LED SEL2810A-C	
		*****		D802	8-719-301-52	LED SEL2810A-C	
		< CAPACITOR >		D803	8-719-301-52	LED SEL2810A-C	
C704	1-161-494-00	CERAMIC 0.022u 25V (C525)		D804	8-719-301-52	LED SEL2810A-C	
		< CONNECTOR >		D805	8-719-301-52	LED SEL2810A-C	
* CN702	1-568-945-11	PIN, CONNECTOR 7P (C525)		D806	8-719-301-52	LED SEL2810A-C	
* CN702	1-568-943-11	PIN, CONNECTOR 5P (C625)		D807	8-719-301-52	LED SEL2810A-C	
		< IC >				< IC >	
IC701	8-741-100-48	IC SBX1610-59 (C525)		IC801	8-741-100-48	IC SBX1610-59	
		< RESISTOR >				< RESISTOR >	
R701	1-249-421-11	CARBON 2.2K 5% 1/4W		R806	1-249-419-11	CARBON 1.5K 5% 1/4W	
R702	1-249-420-11	CARBON 1.8K 5% 1/4W		R807	1-249-420-11	CARBON 1.8K 5% 1/4W	
R703	1-249-419-11	CARBON 1.5K 5% 1/4W		R808	1-249-409-11	CARBON 220 5% 1/4W	
R704	1-249-415-11	CARBON 680 5% 1/4W				< VARIABLE RESISTOR >	
R705	1-247-828-11	CARBON 750 5% 1/4W		RV801	1-241-514-11	RES, VAR, CARBON 10K	
R706	1-249-416-11	CARBON 820 5% 1/4W		RV802	1-241-514-11	RES, VAR, CARBON 10K	
R707	1-249-417-11	CARBON 1K 5% 1/4W				< SWITCH >	
R708	1-247-834-11	CARBON 1.3K 5% 1/4W		S801	1-554-303-21	SWITCH, TACTILE (FLAT (DIGITAL SIGNAL PROCESSOR))	
		< SWITCH >		S802	1-554-303-21	SWITCH, TACTILE (BGM (DIGITAL SIGNAL PROCESSOR))	
S701	1-554-303-21	SWITCH, TACTILE (REPEAT (PLAY MODE))		S803	1-554-303-21	SWITCH, TACTILE (LIVE ROOM(DIGITAL SIGNAL PROCESSOR))	
S702	1-554-303-21	SWITCH, TACTILE (PROGRAM(PLAY MODE))		S804	1-554-303-21	SWITCH, TACTILE (DISCO (DIGITAL SIGNAL PROCESSOR))	
S703	1-554-303-21	SWITCH, TACTILE (SHUFFLE(PLAY MODE))		S805	1-554-303-21	SWITCH, TACTILE (STADIUM (DIGITAL SIGNAL PROCESSOR))	
S704	1-554-303-21	SWITCH, TACTILE (CONTINUE)		S806	1-554-303-21	SWITCH, TACTILE (JAZZ CLUB(DIGITAL SIGNAL PROCESSOR))	
S705	1-554-303-21	SWITCH, TACTILE (DISC 5)		S807	1-554-303-21	SWITCH, TACTILE (CHURCH (DIGITAL SIGNAL PROCESSOR))	
S706	1-554-303-21	SWITCH, TACTILE (DISC 4)		S808	1-554-303-21	SWITCH, TACTILE (HALL (DIGITAL SIGNAL PROCESSOR))	
S707	1-554-303-21	SWITCH, TACTILE (DISC 3)					
S708	1-554-303-21	SWITCH, TACTILE (DISC 2)					
S709	1-554-303-21	SWITCH, TACTILE (DISC 1)					
S710	1-572-714-11	SWITCH, PUSH (POWER) (C525)					
S710	1-572-714-11	SWITCH, PUSH (POWER) (C625)					

*	1-644-128-11	DSP BOARD (C625)		*	1-644-129-11	FUNCTION BOARD (C625)	
		*****				*****	
*	4-952-230-01	HOLDER (LED)				< CONNECTOR >	

FUNCTION HEADPHONE VOL HEADPHONE JACK TABLE MOTOR

LOADING MOTOR OPEN/UP SW DSP

Ref. No.	Part No.	Description	Remark	Ref. No.	Part No.	Description	Remark
* CN402	1-691-897-11	CONNECTOR, FFC/FPC 19P		*****			
* CN471	1-691-187-11	CONNECTOR, BOARD TO BOARD 18P		*****			
		< RESISTOR >		*****			
R470	1-249-415-11	CARBON	680 5% 1/4W	*	1-644-131-11	HEADPHONE JACK BOARD	
R471	1-247-828-11	CARBON	750 5% 1/4W	*****			
R472	1-249-416-11	CARBON	820 5% 1/4W	< CAPACITOR >			
R473	1-249-417-11	CARBON	1K 5% 1/4W	C701	1-162-291-31	CERAMIC	560PF 10% 50V
R474	1-247-834-11	CARBON	1.3K 5% 1/4W	C702	1-162-291-31	CERAMIC	560PF 10% 50V
				C703	1-164-159-11	CERAMIC	0.1uF 50V
R476	1-249-415-11	CARBON	680 5% 1/4W	< JACK >			
R477	1-247-828-11	CARBON	750 5% 1/4W	J701	1-568-519-41	JACK, LARGE TYPE (HEADPHONES)	
R478	1-249-416-11	CARBON	820 5% 1/4W	*****			
R479	1-249-417-11	CARBON	1K 5% 1/4W	*****			
R480	1-247-834-11	CARBON	1.3K 5% 1/4W	*	1-644-132-11	TABLE MOTOR BOARD	

R481	1-249-419-11	CARBON	1.5K 5% 1/4W	< CAPACITOR >			
R482	1-249-420-11	CARBON	1.8K 5% 1/4W	C704	1-161-375-00	CERAMIC	0.0022uF 20% 50V
R483	1-249-421-11	CARBON	2.2K 5% 1/4W	< CONNECTOR >			
R484	1-249-422-11	CARBON	2.7K 5% 1/4W	* CN707	1-573-044-11	SOCKET, CONNECTOR 5P	
				< DIODE >			
		< SWITCH >		D701	8-719-970-19	DIODE	GP-1A521
S470	1-554-303-21	SWITCH, TACTILE (10)		< RESISTOR >			
S471	1-554-303-21	SWITCH, TACTILE (9)		R701	1-249-416-11	CARBON	820 5% 1/4W
S472	1-554-303-21	SWITCH, TACTILE (8)		*****			
S473	1-554-303-21	SWITCH, TACTILE (7)		*	1-644-133-11	LOADING MOTOR BOARD	
S474	1-554-303-21	SWITCH, TACTILE (6)		*****			
				< CAPACITOR >			
S475	1-554-303-21	SWITCH, TACTILE (PEAK SERCH)		C705	1-161-375-00	CERAMIC	0.0022uF 20% 50V
S476	1-554-303-21	SWITCH, TACTILE (5)		*****			
S477	1-554-303-21	SWITCH, TACTILE (4)		*****			
S478	1-554-303-21	SWITCH, TACTILE (3)		*	1-644-134-11	OPEN/UP SW BOARD	
S479	1-554-303-21	SWITCH, TACTILE (2)		*****			
				< SWITCH >			
S480	1-554-303-21	SWITCH, TACTILE (1)		S702	1-571-300-21	SWITCH, ROTARY (OPEN/UP)	
S481	1-554-303-21	SWITCH, TACTILE (10)		*****			
S482	1-554-303-21	SWITCH, TACTILE (FADER)		*****			
S483	1-554-303-21	SWITCH, TACTILE (CLEAR)		*	1-644-137-11	DSP BOARD (C525)	
S484	1-554-303-21	SWITCH, TACTILE (CHECK)		*****			
				< CONNECTOR >			
S485	1-554-303-21	SWITCH, TACTILE (EDIT/TIME FADER)		*****			

*	1-644-130-11	HEADPHONE VOL BOARD		*****			
		< CAPACITOR >		*****			
C706	1-161-494-00	CERAMIC	0.022uF 25V	< SWITCH >			
		< CONNECTOR >		*****			
* CN702	1-691-892-11	CONNECTOR, FFC/FPC 13P		*****			
		< VARIABLE RESISTOR >		*****			
RV701	1-241-919-11	RES, VAR CARBON 10K/10K (VOLUME)		< CONNECTOR >			

DSP

Ref. No.	Part No.	Description	Remark	Ref. No.	Part No.	Description	Remark
* CN800	1-691-963-11	CONNECTOR, BOARD TO BOARD 14P (DIODE)		M102	X-4917-523-3	BASE (OUTSERT) ASSY (SPINDLE)	
D801	8-719-301-52	LED	SEL2810A-C	M701	A-4604-585-A	MOTOR ASSY, ROTARY (TABLE)	
D802	8-719-301-52	LED	SEL2810A-C	M702	A-4604-834-A	MOTOR ASSY, LOADING	
D803	8-719-301-52	LED	SEL2810A-C	S101	1-572-085-11	SWITCH, LEAF (LIMIT IN)	
D804	8-719-301-52	LED	SEL2810A-C	△S201	1-571-722-11	SWITCH, VOLTAGE SELECTION (C525:E)	
D805	8-719-301-52	LED	SEL2810A-C	S701	1-572-713-11	SWITCH, PUSH (WITH CONNECTOR) (DOWN)	
		(RESISTOR)		△T901	1-449-955-11	TRANSFORMER, POWER (C525:AEP, Australian)	
R801	1-249-415-11	CARBON	680 5% 1/4W	△T901	1-449-956-11	TRANSFORMER, POWER (C525:E)	
R802	1-247-828-11	CARBON	750 5% 1/4W	△T901	1-450-876-11	TRANSFORMER, POWER (C525:US, Canadian/C625)	
R803	1-249-416-11	CARBON	820 5% 1/4W	*****			
R804	1-249-417-11	CARBON	1K 5% 1/4W	ACCESSORIES & PACKING MATERIALS			
R805	1-247-834-11	CARBON	1.3K 5% 1/4W	*****			
R808	1-249-409-11	CARBON	220 5% 1/4W	1-465-729-11	REMOTE COMMANDER		
		(SWITCH)		1-558-271-11	CORD, CONNECTION		
S801	1-554-303-21	SWITCH, TACTILE (FLAT (DIGITAL SIGNAL PROCESSOR))		3-707-584-01	COVER, BATTERY		
S804	1-554-303-21	SWITCH, TACTILE (DISCO (DIGITAL SIGNAL PROCESSOR))		3-754-917-11	MANUAL, INSTRUCTION (ENGLISH, FRENCH, SPANISH, PORTUGUESE) (C525:AEP, E)		
S805	1-554-303-21	SWITCH, TACTILE (STADIUM (DIGITAL SIGNAL PROCESSOR))		3-754-917-21	MANUAL, INSTRUCTION (ENGLISH) (C525:US, Canadian, Australian/C625)		
S806	1-554-303-21	SWITCH, TACTILE (JAZZ CLUB (DIGITAL SIGNAL PROCESSOR))		3-754-917-31	MANUAL, INSTRUCTION (FRENCH) (C525:Canadian/C625:Canadian)		
S807	1-554-303-21	SWITCH, TACTILE (CHURCH (DIGITAL SIGNAL PROCESSOR))		3-754-917-41	MANUAL, INSTRUCTION (GERMAN, DUTCH, SWEDISH, ITALIAN) (C525:AEP)		
S808	1-554-303-21	SWITCH, TACTILE (HALL (DIGITAL SIGNAL PROCESSOR))		3-754-917-71	MANUAL, INSTRUCTION (DANISH, FINNISH) (C525:AEP)		
*****				4-937-945-01	PLATE (TRANSPORT), LOCK		
MISCELLANEOUS				* 4-941-548-01	LABEL, CLASS 1 (C525:AEP, E, Australian)		
*****				* 4-944-110-01	CUSHION (FRONT)		
13	1-690-933-11	WIRE (FLAT TYPE) (32 CORE)		* 4-944-111-01	CUSHION (REAR)		
14	1-690-934-11	WIRE (FLAT TYPE) (13 CORE)		* 4-949-235-01	HOOK		
19	1-690-931-11	WIRE (FLAT TYPE) (19 CORE) (C625)		* 4-951-752-21	INDIVIDUAL CARTON (C525)		
21	1-690-932-11	WIRE (FLAT TYPE) (15 CORE) (C525)		* 4-951-752-31	INDIVIDUAL CARTON (C625)		
* 53	1-452-538-11	MAGNET		* 4-952-391-01	INDIVIDUAL CARTON (C625)		
56	1-590-849-11	WIRE, FLAT TYPE (5 CORE)		* 4-952-392-01	INDIVIDUAL CARTON (C525)		
104	1-694-003-11	JAMPER, FILM (WITH TARMINAL)		*****			
△116	1-558-943-41	CORD, POWER (C525:E)		HARDWARE LIST			
△116	1-574-358-31	CORD, POWER (WITH CONNECTOR) (C525: Australian)		*****			
△116	1-575-651-21	CORD, POWER (C525:AEP)		#1	7-621-255-15	SCREW +P 2X3	
△116	1-590-836-11	CORD, POWER (C525:US, Canadian/C625)		#2	7-682-548-04	SCREW +BVTT 3X8 (S)	
△117	1-569-007-11	ADAPTER, CONVERSION 2P (C525:E)		#3	7-682-554-04	SCREW +B 3X25	
△151	8-848-144-11	DEVICE, OPTICAL KSS-240A		#4	7-682-661-09	SCREW +PSW 4X8	
152	1-575-001-11	WIRE, FLAT TYPE (12 CORE)		#5	7-685-136-19	SCREW +P 2. 6X12 TYPE2 NON-SLIT	
M101	X-4917-504-1	MOTOR ASSY (SLED)		#6	7-685-646-79	SCREW +BVTP 3X8 TYPE2 N-S	
				#7	7-685-647-79	SCREW, TAPPING	

The components identified by mark △ or dotted line with mark △ are critical for safety. Replace only with part number specified.	Les composants identifiés par une marque △ sont critiques pour la sécurité. Ne les remplacer que par une pièce portant le numéro spécifié.
---	---

