

CDP-C701ES/C801ES

SERVICE MANUAL

US Model

CDP-C701ES/C801ES

Canadian Model

AEP Model

E Model

CDP-C701ES

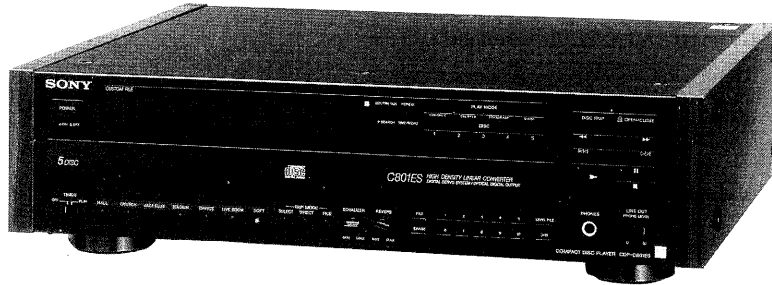


Photo: CDP-C801ES



SPECIFICATIONS

Compact Disc Player

| | |
|-----------------------|-----------------------------------|
| System | Compact disc digital audio system |
| Laser | Semiconductor laser |
| Wavelength | 780 - 790 nm |
| Frequency response | 2 Hz - 20 kHz (± 0.3 dB) |
| Signal to noise ratio | More than 116 dB |
| Dynamic range | More than 100 dB |
| Harmonic distortion | Less than 0.0023% (1 kHz) |
| Channel separation | More than 110 dB (1 kHz) |

Outputs

| | |
|---|---|
| LINE OUT (FIXED) (phono jacks) | Output level 2 V (at 50 kilohms, non-DSP mode) Load impedance over 10 kilohms |
| LINE OUT (VARIABLE) (phono jacks) | Output level max. 2 V (at 50 kilohms, non-DSP mode) Load impedance over 10 kilohms |
| DIGITAL OUTPUT (OPTICAL) (optical output connector) | Wave length 660 nm Output level -18 dBm |
| PHONES (stereo phone jack) | Output level max. 15 mW Load impedance 32 ohms |

General

| | |
|--------------------|--|
| Power requirements | US, Canadian model: 120 V AC, 60 Hz AEP model: 220-230 V AC, 50/60 Hz E model: 110-120 V or 220-240 V AC adjustable, 50/60 Hz |
| Power consumption | 23 W |
| Dimensions (w/h/d) | Approx. 470 x 125 x 385 mm (18 5/8 x 5 x 15 1/4 inches) Including projecting parts and controls |
| Mass (approx.) | CDP-C801ES 9.1 kg (20 lbs 1 oz) CDP-C701ES 8.7 kg (19 lbs 3 oz) |

| | |
|------------------------------------|----------|
| Model Name Using Similar Mechanism | NEW |
| Optical Pick-up Block Type | BU-5BD11 |

Remote Commander RM-D801

| | |
|-----------------------|---|
| Remote control system | Infrared control |
| Power requirements | 3 V DC with two size AA batteries (IEC designation R6) |
| Dimensions | 62 x 20 x 175 mm (w/h/d) (2 1/2 x 13/16 x 7 inches) |
| Mass (approx.) | 130 g including batteries (4.6 oz) |

Design and specifications are subject to change without notice.

SAFETY-RELATED COMPONENT WARNING!!

COMPONENTS IDENTIFIED BY MARK Δ OR DOTTED LINE WITH MARK Δ ON THE SCHEMATIC DIAGRAMS AND IN THE PARTS LIST ARE CRITICAL TO SAFE OPERATION. REPLACE THESE COMPONENTS WITH SONY PARTS WHOSE PART NUMBERS APPEAR AS SHOWN IN THIS MANUAL OR IN SUPPLEMENTS PUBLISHED BY SONY.

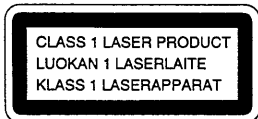
ATTENTION AU COMPOSANT AYANT RAPPORT À LA SÉCURITÉ!

LES COMPOSANTS IDENTIFIÉS PAR UNE MARQUE Δ SUR LES DIAGRAMMES SCHÉMATIQUES ET LA LISTE DES PIÈCES SONT CRITIQUES POUR LA SÉCURITÉ DE FONCTIONNEMENT. NE REMPLACER CES COMPOSANTS QUE PAR DES PIÈCES SONY DONT LES NUMÉROS SONT DONNÉS DANS CE MANUEL OU DANS LES SUPPLÉMENTS PUBLIÉS PAR SONY.

COMPACT DISC PLAYER
SONY[®]



For the European Countries



This appliance is classified as a CLASS 1 LASER Product. The CLASS 1 LASER PRODUCT MARKING is located on the rear exterior.

Note

This appliance conforms with EEC Directive 87/308/EEC regarding interference suppression.

The following caution label is located inside the unit.

CAUTION : INVISIBLE LASER RADIATION WHEN OPEN,
AVOID EXPOSURE TO BEAM.

ADVARSEL: USYNLIG LASERSTRÅLING VED ÅBNING NÅR
SIKKERHEADSAFBRYDERE ER UDE AF FUNKTION.
UNDGÅ UDSÆTTELSE FOR STRÅLING.

VARO! : AVATTAESSA JA SUOJALUKITUS OHITETTAESSA
DLET ALTTIINA LASERSÄTEILYLLE.

VARNING : LASERSTRÅLING NÅR DENNA DEL ÄR ÖPPNAD
OCH SPÄRREN ÄR URKOPPLAD.

ADVERSEL: USYNLIG LASERSTRÅLING NÅR DEKSEL ÅPNES
UNNGÅ EKSPONERING FOR STRÅLEN.

NOTES ON HANDLING THE OPTICAL PICK-UP BLOCK OR BASE UNIT

The laser diode in the optical pick-up block may suffer electrostatic breakdown because of the potential difference generated by the charged electrostatic load, etc. on clothing and the human body.

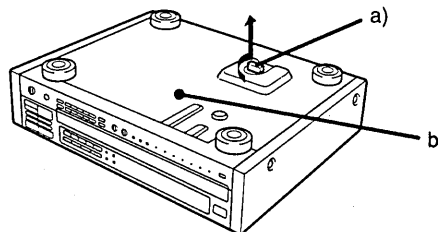
During repair, pay attention to electrostatic breakdown and also use the procedure in the printed matter which is included in the repair parts.

The flexible board is easily damaged and should be handled with care.

NOTES ON LASER DIODE EMISSION CHECK

The laser beam on this model is concentrated so as to be focused on the disc reflective surface by the objective lens in the optical pick-up block. Therefore, when checking the laser diode emission, observe from more than 30cm away from the objective lens.

Notes on the Transit Key (and Red Lock Screw: CDP-C801ES only)



a) Transit key

The transit key on the bottom of the player protects the optical system against shock during transportation. Before operating the player, be sure to remove the key by following the instructions on the label, and keep it in a safe place.

When transporting the player, re-install the key by following the instructions below.

- 1 Remove all the discs from the player.
- 2 Press \blacktriangle to close the disc tray and wait for "⌂ (or ⌂, ⌂...)" to disappear in the display.
- 3 Turn the power off.
- 4 Insert the key into its original hole and lock it in place.

b) Red lock screw (CDP-C801ES only)

Besides the transit key, the CDP-C801ES has a red lock screw on the bottom. Before operating the CDP-C801ES, be sure to remove the transit key and red lock screw, and keep them in a safe place.

When transporting the player, re-install the screw and key by following the instructions below.

- 1 Remove all the discs from the player.
- 2 Press DISC SKIP until the DISC 1 compartment is at the front position.
- 3 Press \blacktriangle to close the disc tray and wait for "⌂" to disappear in the display.
- 4 Turn the power off.
- 5 Re-install the red lock screw and transit key.

SAFETY CHECK-OUT (US Model)

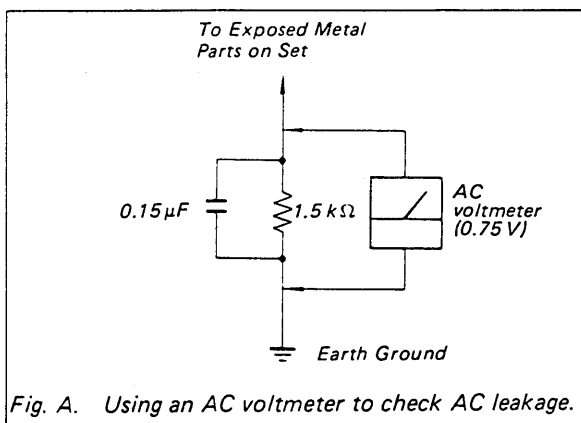
After correcting the original service problem, perform the following safety check before releasing the set to the customer:

Check the antenna terminals, metal trim, "metallized" knobs, screws, and all other exposed metal parts for AC leakage. Check leakage as described below.

LEAKAGE TEST

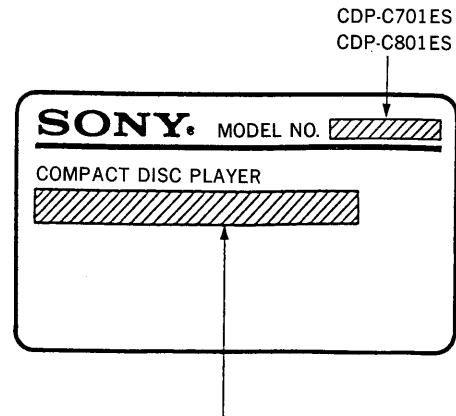
The AC leakage from any exposed metal part to earth ground and from all exposed metal parts to any exposed metal part having a return to chassis, must not exceed 0.5 mA (500 microampers). Leakage current can be measured by any one of three methods.

1. A commercial leakage tester, such as the Simpson 229 or RCA WT-540A. Follow the manufacturers' instructions to use these instruments.
2. A battery-operated AC milliammeter. The Data Precision 245 digital multimeter is suitable for this job.
3. Measuring the voltage drop across a resistor by means of a VOM or battery-operated AC voltmeter. The "limit" indication is 0.75 V, so analog meters must have an accurate low-voltage scale. The Simpson 250 and Sanwa SH-63Trd are examples of a passive VOM that is suitable. Nearly all battery operated digital multimeters that have a 2V AC range are suitable. (See Fig. A)



MODEL IDENTIFICATION

— Specification Label —



US, Canadian model: AC: 120V 60Hz 23W
AEP model: AC: 220—230V~50/60Hz 23W
E model: AC: 110—120, 220—240V~50/60Hz 23W

TABLE OF CONTENTS

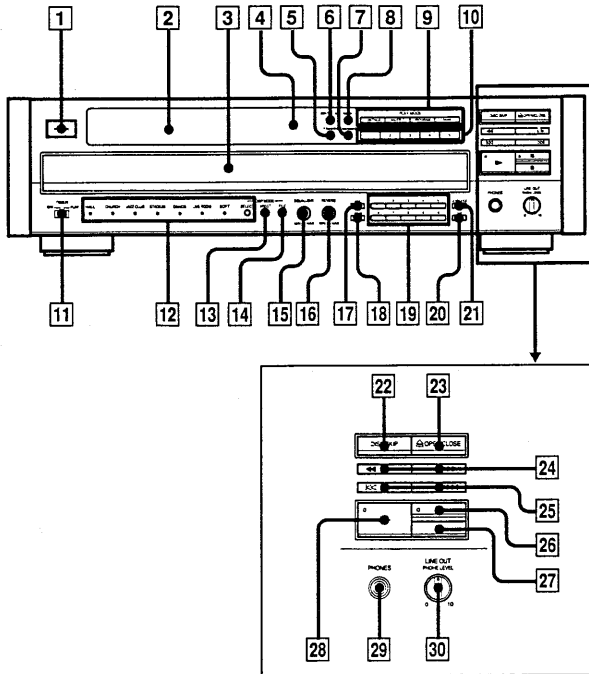
| <u>Section</u> | <u>Title</u> | <u>Page</u> |
|---|--|-------------|
| 1. GENERAL | | |
| | Identifying the Parts | 4 |
| 2. DISASSEMBLY | | |
| 2-1. | Bottom Plate | 5 |
| 2-2. | Front Panel (1) | 5 |
| 2-3. | Front Panel (2) | 6 |
| 2-4. | Tray Assy | 6 |
| 3. ELECTRICAL BLOCK CHECKING | | 7 |
| 4. DIAGRAMS | | |
| 4-1. | Circuit Boards Location | 9 |
| 4-2. | Block Diagram | 10 |
| 4-3. | Printed Wiring Boards —Main Section— | 15 |
| 4-4. | Schematic Diagram —Main Section— | 19 |
| 4-5. | Printed Wiring Boards —MD Section— | 23 |
| 4-6. | Schematic Diagram —MD Section— | 24 |
| 4-7. | Semiconductor Lead Layouts | 27 |
| 5. EXPLODED VIEWS | | |
| 5-1. | Cabinet Section (C801ES) | 31 |
| 5-2. | Cabinet Section (C701ES) | 32 |
| 5-3. | Front Panel Section | 33 |
| 5-4. | Chassis Section | 34 |
| 5-5. | Tray Section | 35 |
| 5-6. | Optical Pick-up Block | 36 |
| 6. ELECTRICAL PARTS LIST | | 37 |

SECTION 1 GENERAL

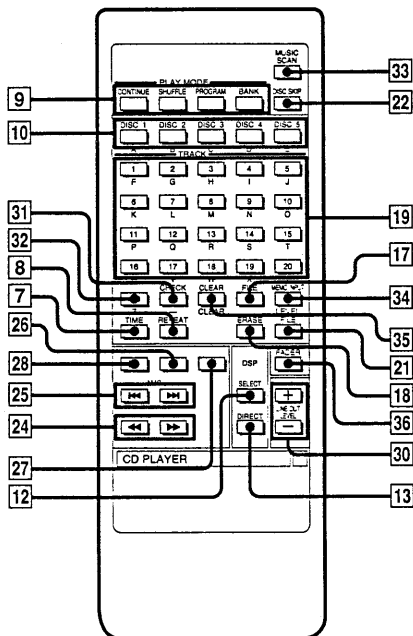
This section is extracted from instruction manual.

Identifying the Parts

A



B



Front Panel **A** Remote Commander **B**

See the pages indicated in () for details.

- 1 POWER switch (10)
- 2 Display (10)
- 3 Disc tray (10)
- 4 Remote sensor (8)
- 5 P.SEARCH button (29)
- 6 EDIT/TIME FADE button (24, 27)
- 7 TIME/MEMO button (TIME button on the remote commander) (12)
- 8 REPEAT button (23)
- 9 PLAY MODE buttons
 - CONTINUE button (10)
 - SHUFFLE button (17)
 - PROGRAM button (18)
 - BANK button (33)
- 10 DISC 1-5 buttons (11)
- 11 TIMER switch (37)
- 12 DSP SELECT button and indicators (16, 36)
- 13 DSP DIRECT button (16)
- 14 DSP FILE button (36)
- 15 DSP EQUALIZER level control (16)
- 16 DSP REVERB level control (16)
- 17 FILE button (32, 33)
- 18 ERASE button (30)
- 19 Numeric buttons (13)
- 20 >10 (over 10) button (13)
- 21 LEVEL FILE button (35)
- 22 DISC SKIP button (10)
- 23 ▲ OPEN/CLOSE button (10)
- 24 ◀▶ (manual search) buttons (13)
- 25 ◀▶▶ (AMS*) buttons (13)
- 26 || (pause) button and indicator (11)
- 27 ■ (stop) button (11)
- 28 ▶ (play) button and indicator (11)
- 29 PHONES jack (11)
- 30 LINE OUT/PHONE LEVEL control (LINE OUT LEVEL +/- buttons on the remote commander) (11, 35)
- 31 CHECK button (21)
- 32 >20 (over 20) button (13)
- 33 MUSIC SCAN button (22)
- 34 MEMO INPUT button (31)
- 35 CLEAR button (21)
- 36 FADER button (14)

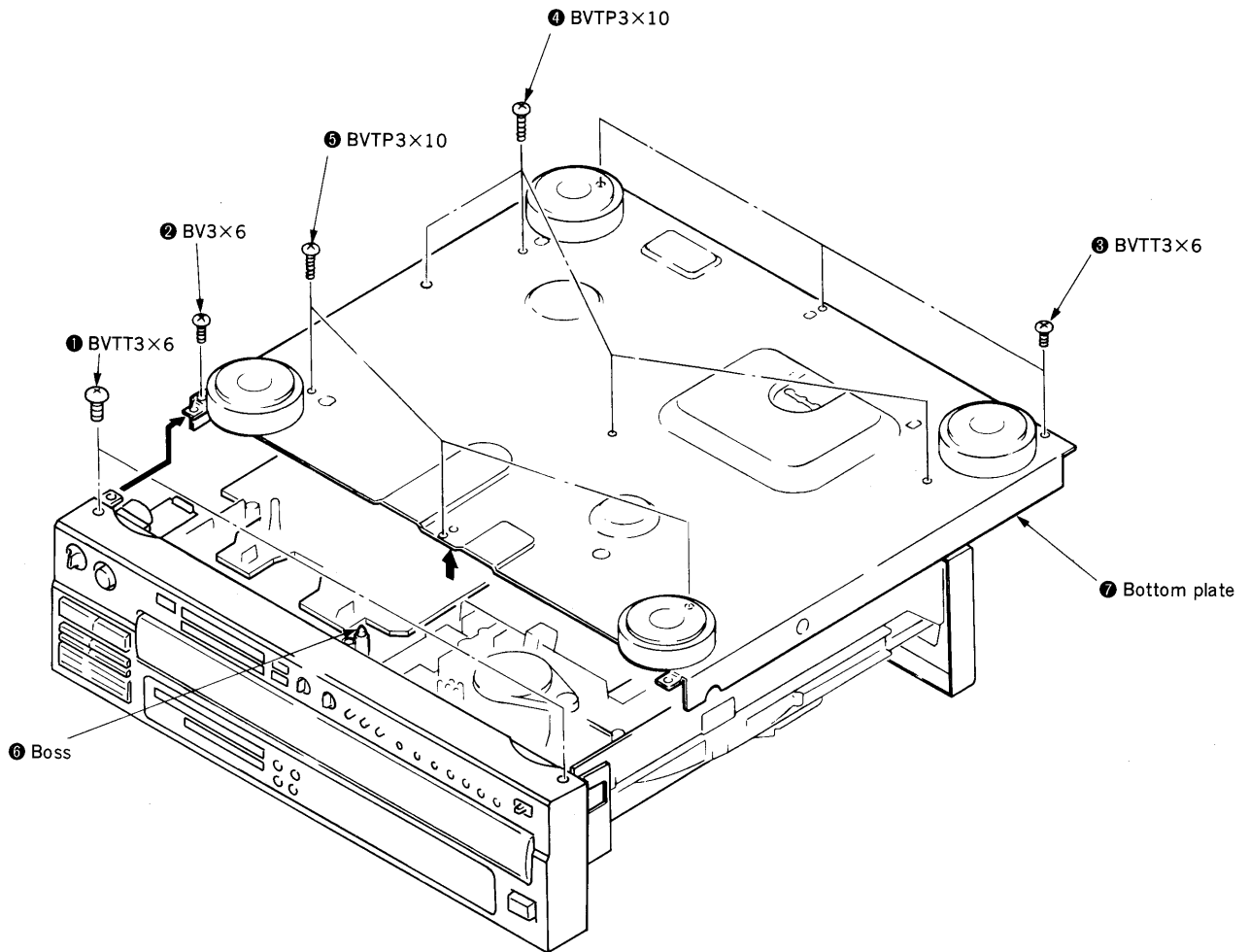
Buttons with orange letters (A, B,) on the remote commander are for writing a disc memo (page 31).

* AMS is the abbreviation for Automatic Music Sensor.

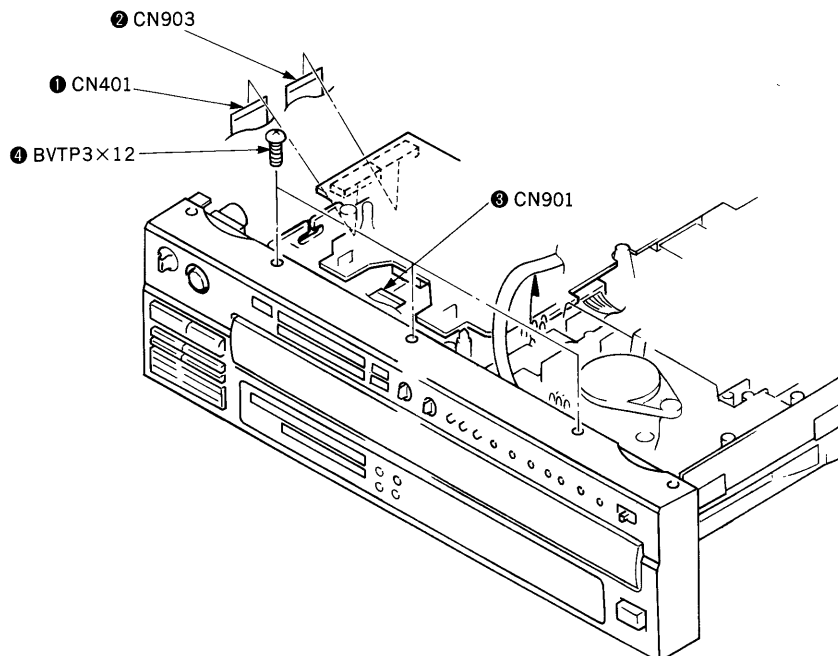
SECTION 2 DISASSEMBLY

Note : Follow the disassembly procedure in the numerical order given.

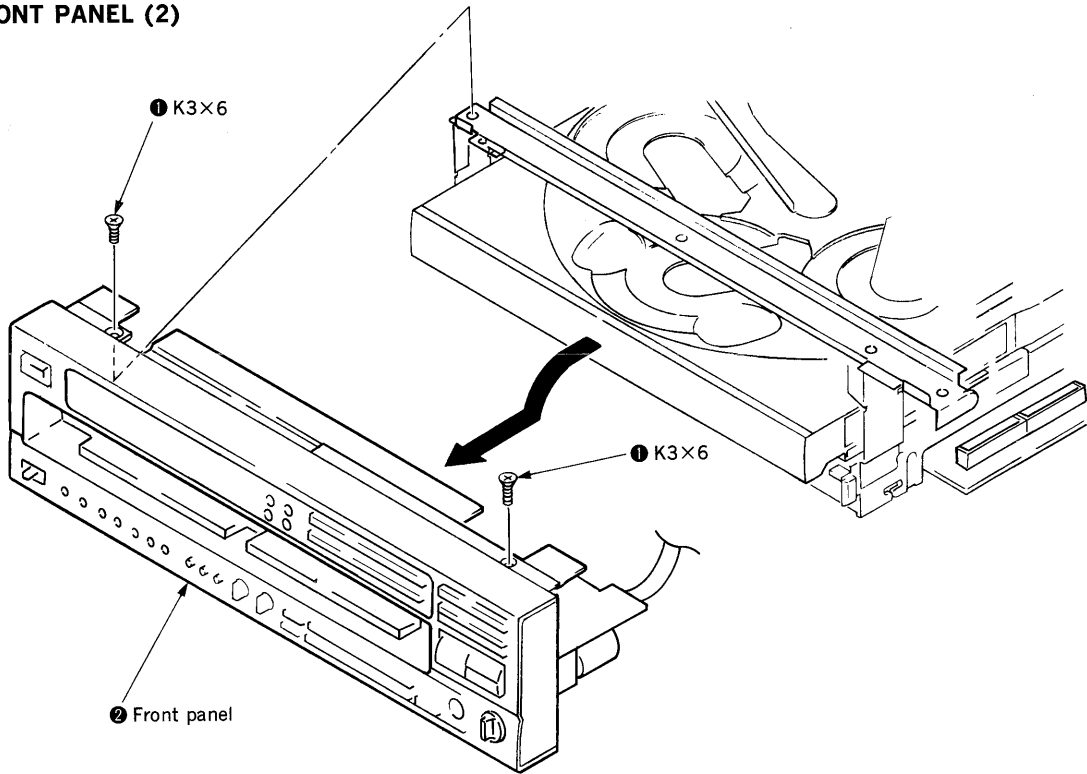
2-1. BOTTOM PLATE



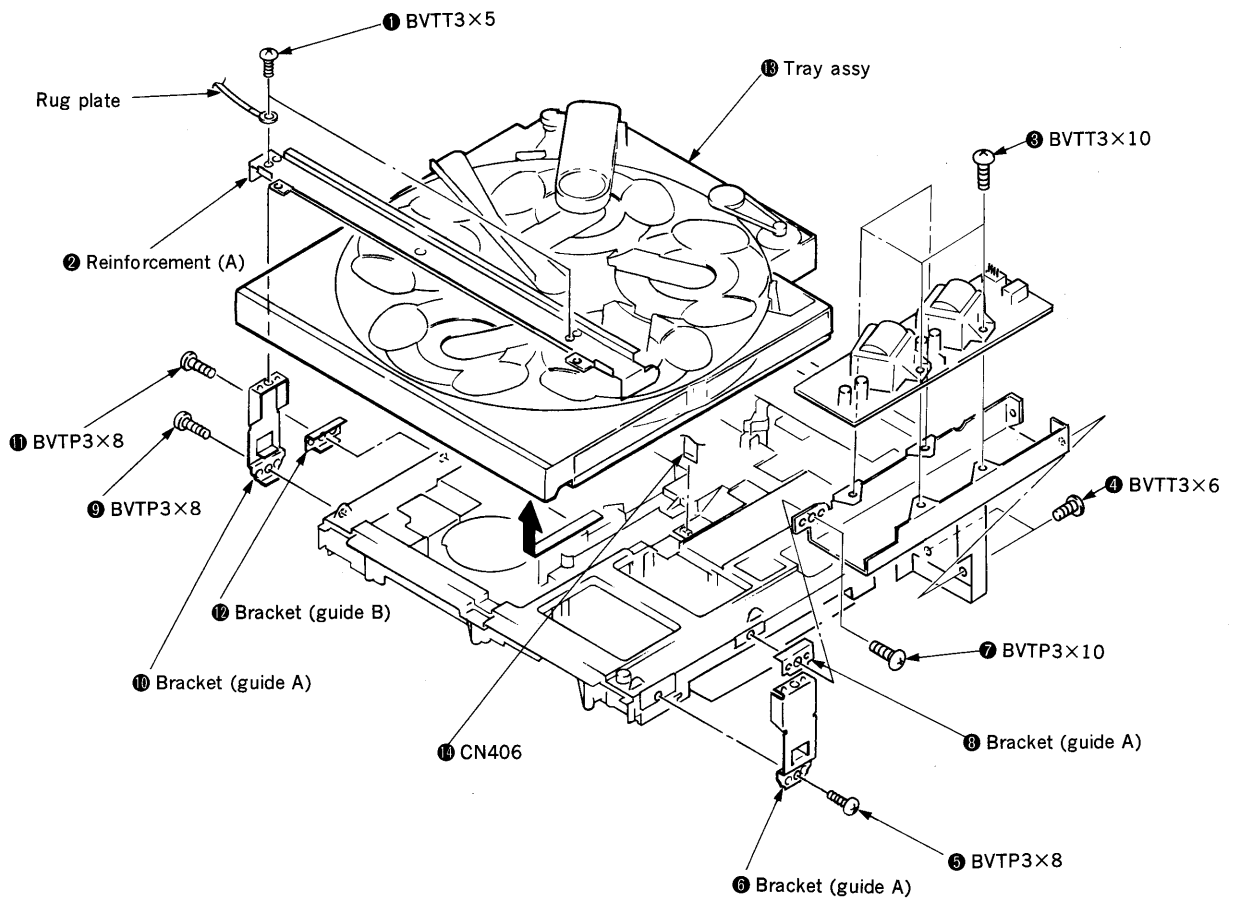
2-2. FRONT PANEL (1)



2-3. FRONT PANEL (2)



2-4. TRAY ASSY

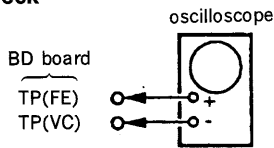


SECTION 3 ELECTRICAL BLOCK CHECKING

Note :

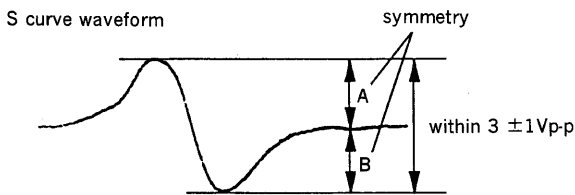
1. CD Block basically constructed to operate without adjustment. Therefore, check each item in order given.
2. Use YEDS-18 disc (3-702-101-01) unless otherwise indicated.
3. Use the oscilloscope with more than $10M\Omega$ impedance.
4. Clean an object lens by an applicator with neutral detergent when the signal level is low than specified value with the following checks.

S Curve Check



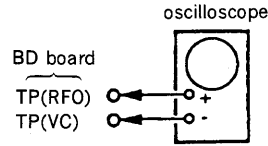
Procedure :

1. Connect oscilloscope to test point TP (FE) on BD board.
2. Connect between test point TP (FEI) and TP (VC) by lead wire.
3. Turned Power switch on and actuate the focus serch. (actuate the focus serch when disc table is moving in and out.)
4. Check the oscilloscope waveform (S curve) is symmetrical between A and B. And confirm peak to peak level within $3 \pm 1V_{p-p}$.



5. After check, remove the lead wire connected in step 2.
- Note :**
- Try to measure several times to make sure that the ratio of A : B or B : A is more than 10 : 7.
 - Take sweep time as long as possible and light up the brightness to obtain best waveform.

RF Level Check

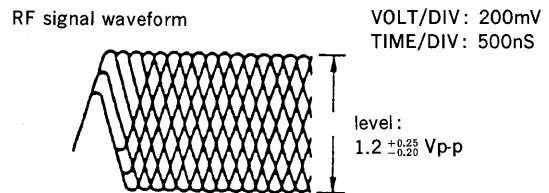


Procedure :

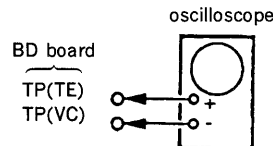
1. Connect oscilloscope to test point TP (RFO) on BD board.
2. Turn Power switch on.
3. Put disc (YEDS-18) in and playback.
4. Confirm that oscilloscope waveform is clear and check RF signal level is correct or not.

Note :

Clear RF signal waveform means that the shape "◇" can be clearly distinguished at the center of the waveform.

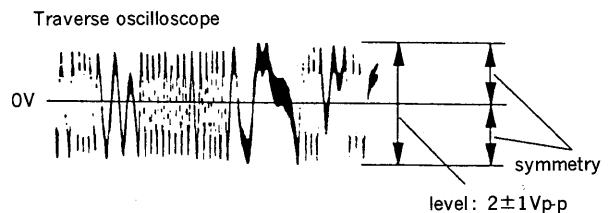


E-F Balance Check



Procedure :

1. Connect test point TP (ADJ) to ground and TP (TEI) to TP (VC) with lead wire.
2. Connect oscilloscope to test point TP (TE) on BD board.
3. Turn Power switch on.
4. Put disc (YEDS-18) in and playback.
5. Confirm that the oscilloscope waveform is symmetrical on the top and bottom in relation to 0V, and check this level.

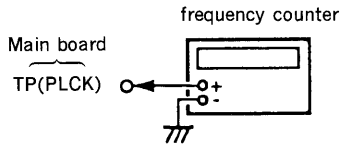


6. Remove the lead wire connected in step 1.

RF PLL Free-run Frequency Check

Procedure :

1. Connect frequency counter to test point (PLCK) with lead wire.

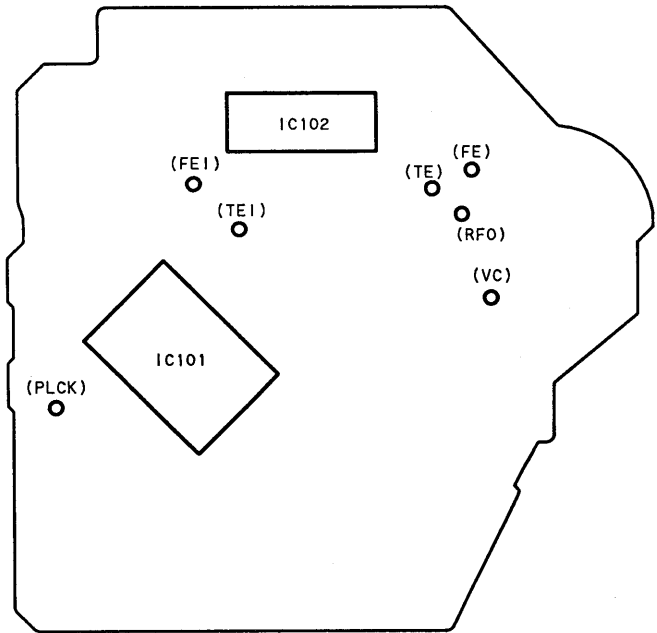


2. Turn Power switch on.
3. Confirm that reading on frequency counter is 4.3218MHz.

Adjustment Locations :

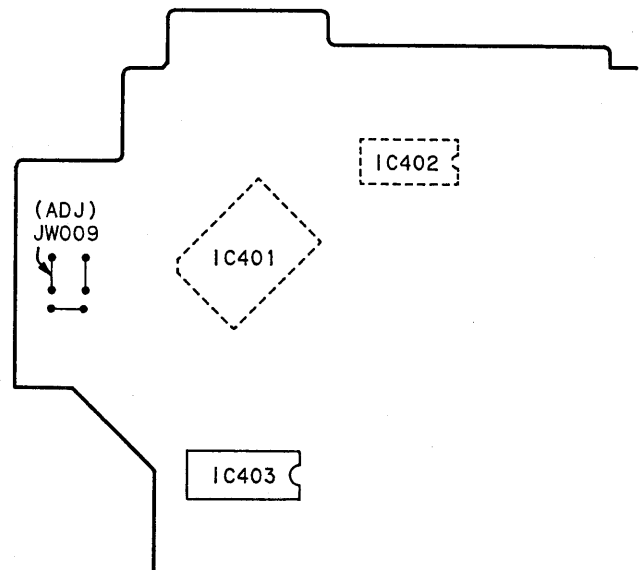
【BD Board】

—Conductor Side—



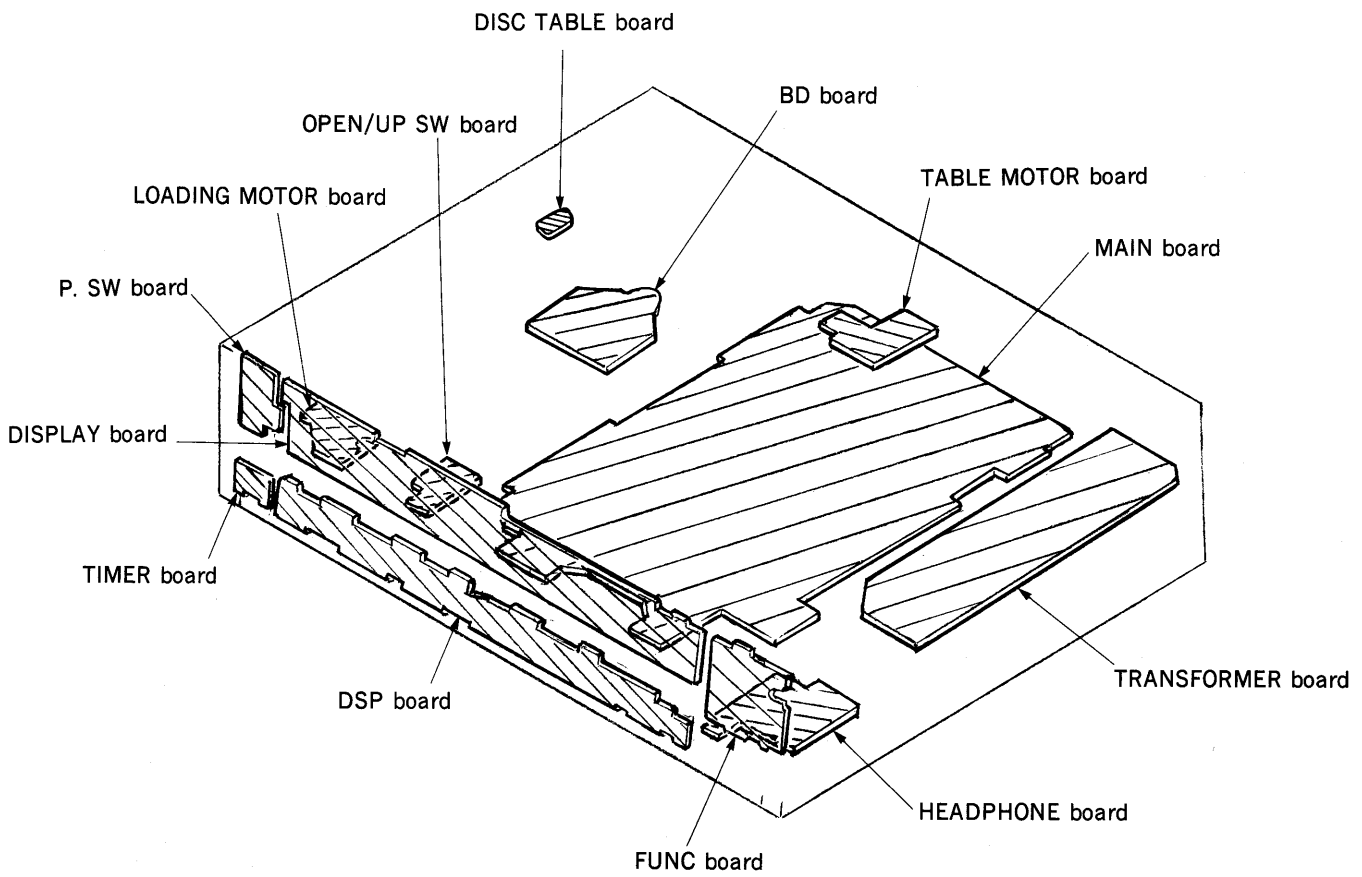
【MAIN Board】

—Component Side—

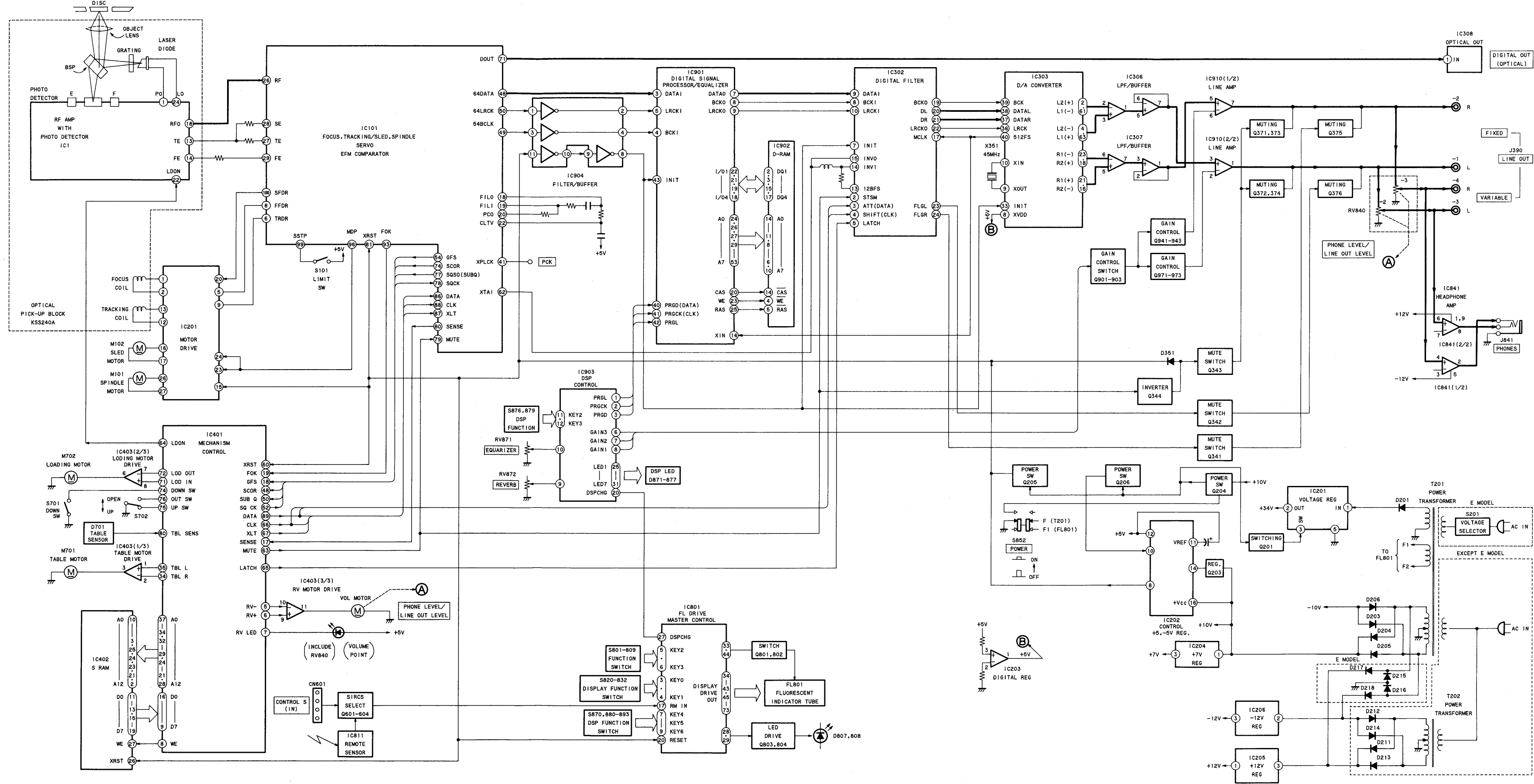


SECTION 4 DIAGRAMS

4-1. CIRCUIT BOARDS LOCATION



4-2. BLOCK DIAGRAM

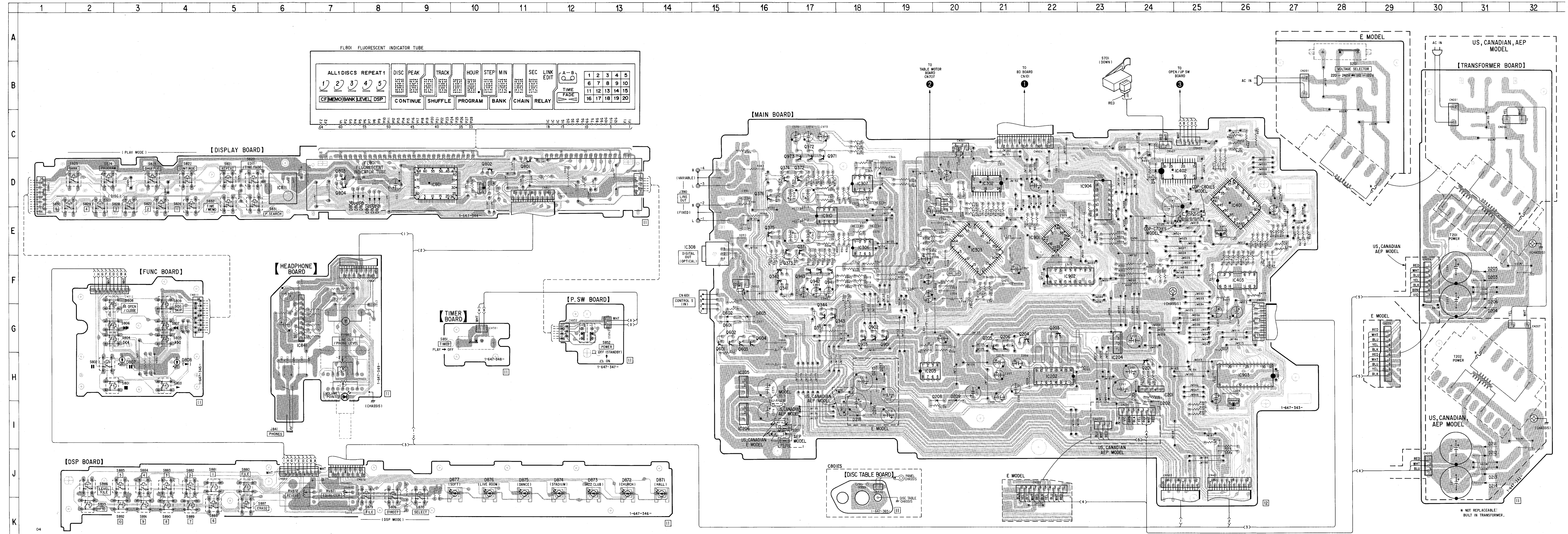


4-3. PRINTED WIRING BOARDS —MAIN SECTION— • Refer to page 27 for Semiconductor Lead Layouts.

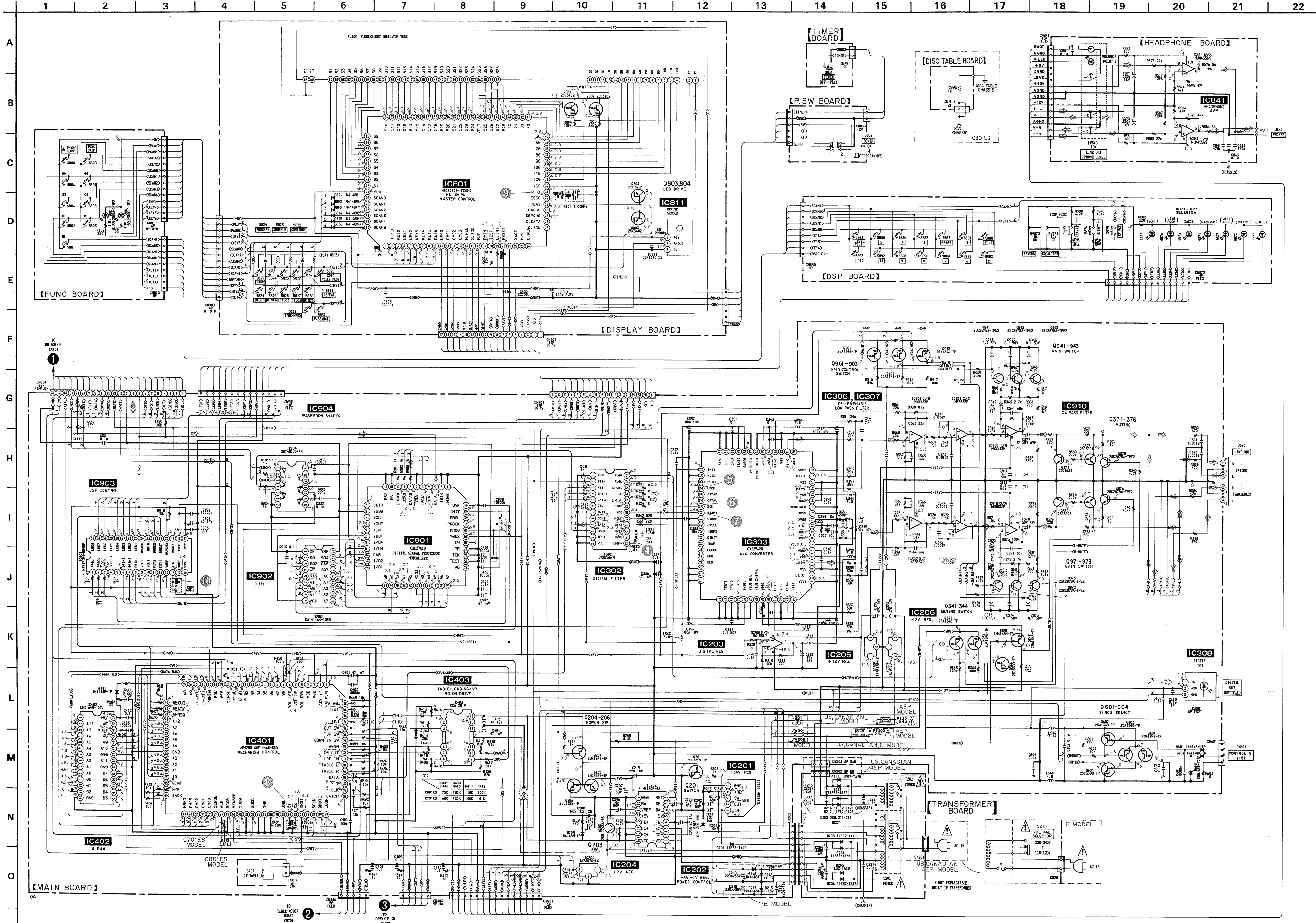
• Semiconductor Location

| Ref. No. | Location | Ref. No. | Location |
|----------|----------|----------|----------|
| D201 | H-24 | IC306 | E-18 |
| D202 | I-24 | IC307 | D-18 |
| D203 | F-31 | IC308 | E-15 |
| D204 | G-31 | IC401 | D-26 |
| D205 | F-31 | IC402 | D-25 |
| D206 | F-31 | IC403 | F-26 |
| D208 | H-20 | IC801 | D-9 |
| D209 | H-20 | IC811 | D-6 |
| D211 | I-31 | IC841 | G-6 |
| D212 | J-31 | IC901 | E-22 |
| D213 | J-31 | IC902 | F-22 |
| D214 | J-31 | IC903 | H-26 |
| D216 | I-18 | IC904 | D-23 |
| D218 | I-18 | IC910 | E-17 |
| D351 | G-7 | | |
| D401 | D-24 | Q201 | H-24 |
| D601 | G-15 | Q203 | G-22 |
| D602 | G-15 | Q204 | G-21 |
| D603 | G-16 | Q205 | G-21 |
| D801 | D-8 | Q206 | G-21 |
| D802 | D-8 | Q341 | F-16 |
| D803 | D-8 | Q342 | F-16 |
| D804 | D-8 | Q343 | G-17 |
| D805 | D-8 | Q344 | G-17 |
| D806 | D-7 | Q371 | E-17 |
| D807 | H-3 | Q372 | D-17 |
| D808 | H-4 | Q373 | F-16 |
| D871 | J-14 | Q374 | D-16 |
| D872 | J-13 | Q375 | E-16 |
| D873 | J-12 | Q376 | D-16 |
| D874 | J-12 | Q601 | G-15 |
| D875 | J-11 | Q602 | G-15 |
| D876 | J-10 | Q603 | G-16 |
| D877 | J-10 | Q604 | G-16 |
| IC201 | H-24 | Q902 | G-18 |
| IC202 | H-22 | Q903 | G-18 |
| IC203 | H-19 | Q941 | F-17 |
| IC204 | G-24 | Q942 | F-17 |
| IC205 | H-16 | Q943 | F-17 |
| IC206 | I-16 | Q971 | C-17 |
| IC302 | D-21 | Q972 | C-17 |
| IC303 | E-20 | Q973 | C-17 |

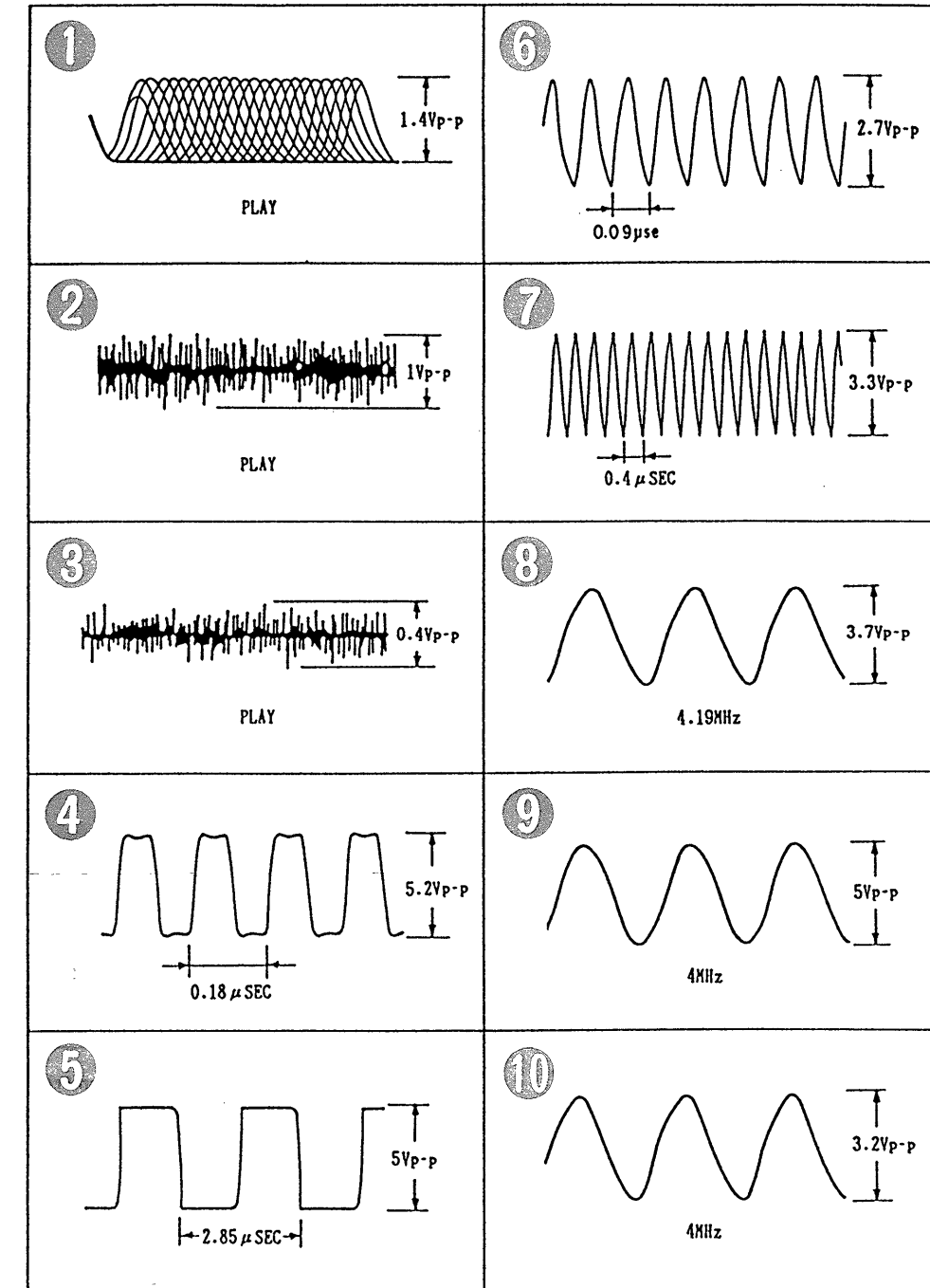
Note:
 ○ — parts extracted from the component side.
 ● — parts mounted on the conductor side.



4-4. SCHEMATIC DIAGRAM — MAIN SECTION — Refer to page 28 for IC Block Diagrams.



Waveforms



Note:

- All capacitors are in μF unless otherwise noted. pF : μF 50WV or less are not indicated except for electrolytics and tantalums.
- All resistors are in Ω and $1/4\text{W}$ or less unless otherwise specified.
- Δ : internal component.

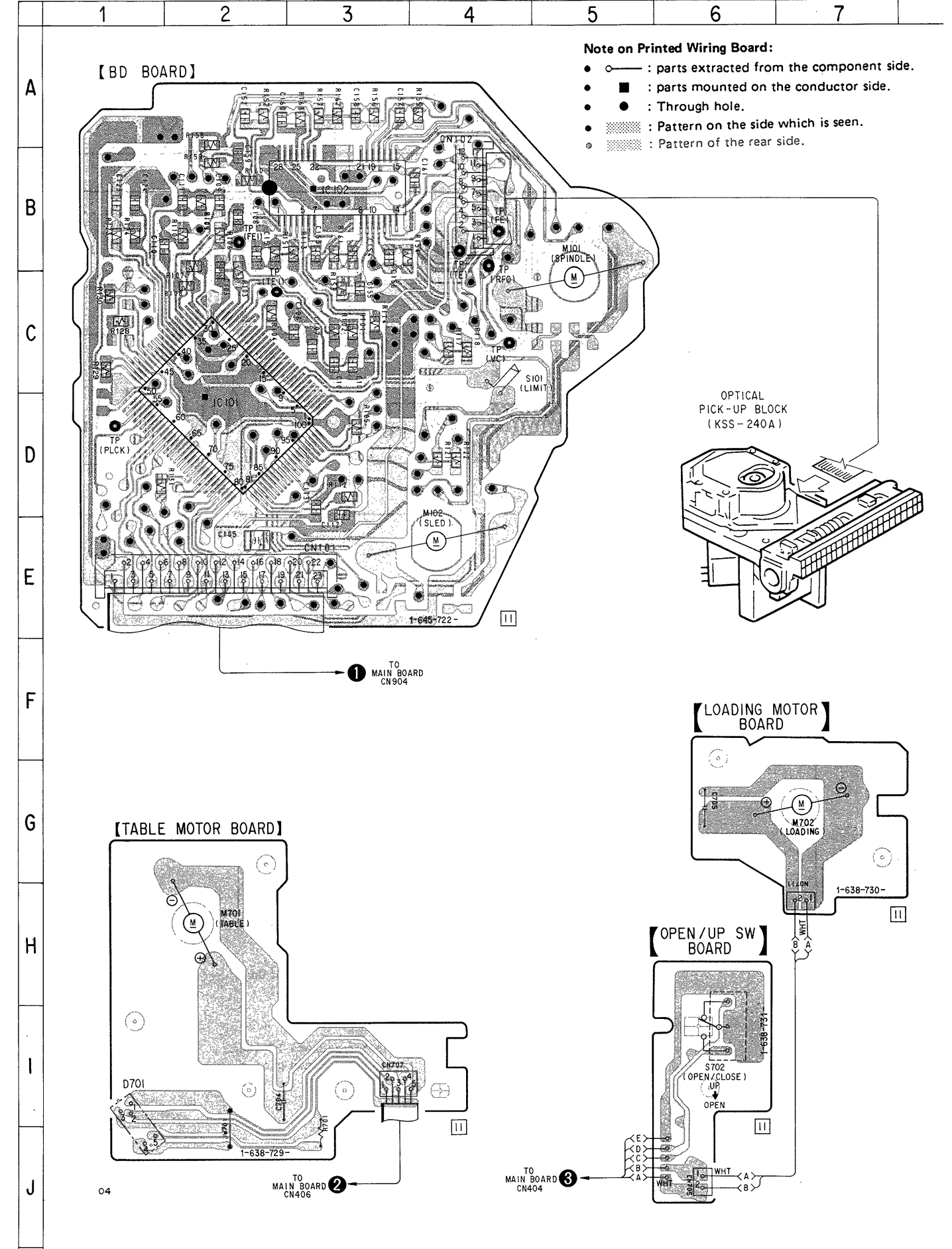
Note:

The components identified by mark Δ or dotted line with mark Δ are critical for safety. Replace only with part number specified.

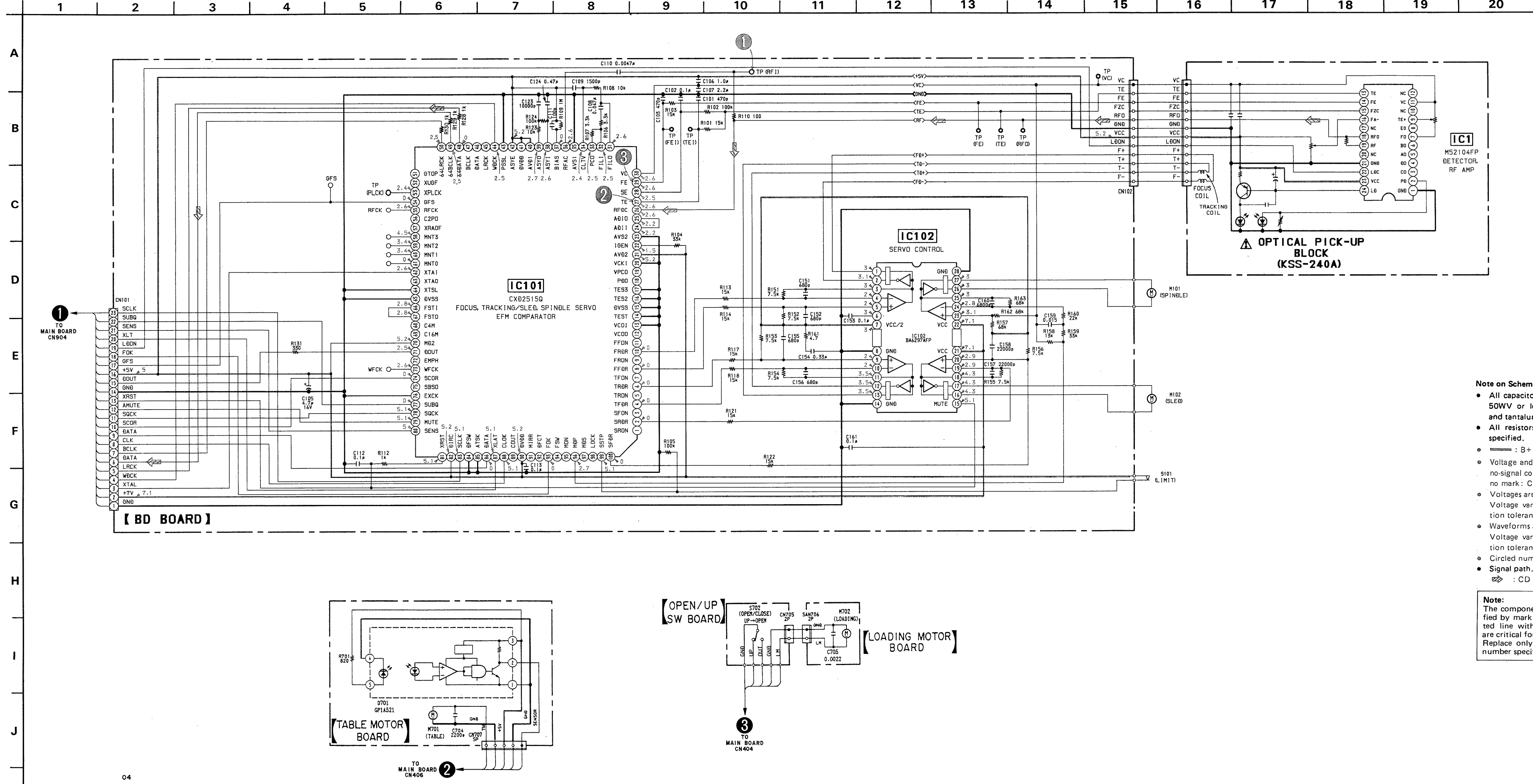
Les composants identifiés par une marque Δ sont critiques pour la sécurité. Ne les remplacer que par une pièce portant le numéro spécifié.

- : B+ Line
- : B- Line
- Voltage and waveforms are dc with respect to ground under no-signal conditions. no mark: CD STOP
- × : Impossible measurement point
- Voltagés are taken with a VOM (Input Impedance 10M Ω). Voltage variations may be noted due to normal production tolerances.
- Waveforms are taken with an oscilloscope. Voltage variations may be noted due to normal production tolerances.
- : Circled numbers refer to waveforms.
- Signal path:
 - ⊞ : CD
 - ⊞ : DIGITAL OUT

4-5. PRINTED WIRING BOARDS —MD SECTION— • Refer to page 27 for Semiconductor Lead Layouts.



4-6. SCHEMATIC DIAGRAM —MD SECTION— • Refer to page 28 for IC Block Diagrams.



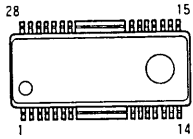
- Note on Schematic Diagram:**
- All capacitors are in μF unless otherwise noted. pF : μF 50WV or less are not indicated except for electrolytics and tantalums.
 - All resistors are in Ω and $1/2W$ or less unless otherwise specified.
 - — : B+ Line
 - Voltage and waveforms are dc with respect to ground under no-signal conditions. no mark: CD STOP
 - Voltages are taken with a VOM (Input Impedance $10M\Omega$). Voltage variations may be noted due to normal production tolerances.
 - Waveforms are taken with an oscilloscope. Voltage variations may be noted due to normal production tolerances.
 - Circled numbers refer to waveforms.
 - Signal path.
 - : CD

Note:
The components identified by mark Δ or ∇ are critical for safety. Replace only with part number specified.

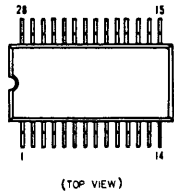
Note:
Les composants identifiés par une marque Δ ou ∇ sont critiques pour la sécurité. Ne les remplacer que par une pièce portant le numéro spécifié.

4-7. SEMICONDUCTOR LEAD LAYOUTS

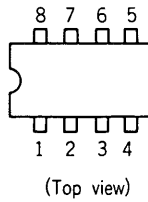
BA6297AFP



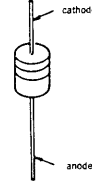
LH5160N-10L



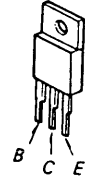
**RC5532DD
μPC4558C**



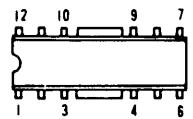
**RD5.1ES-B2
RD5.6ES-B
11ES2**



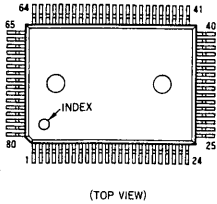
2SB1274SA-RS



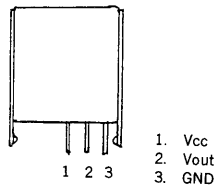
CXA1291P



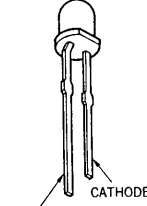
**MSC62408-102V1K
μPD75516GF-468-3B9**



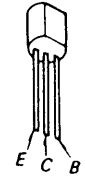
SBX1610-59



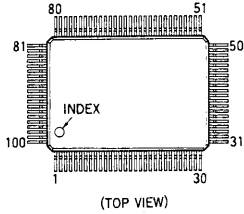
**SEL2510C-C
SEL2810A**



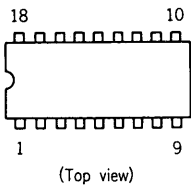
2SC2878-AB



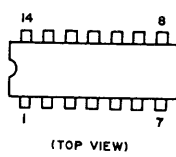
CXD2515Q



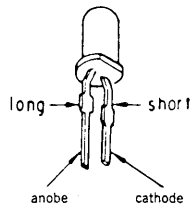
MS51464-10XC



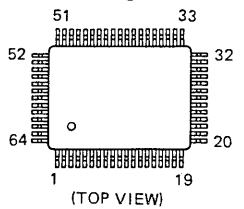
SN74HCU04AN



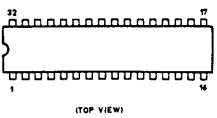
SEL2810A-C



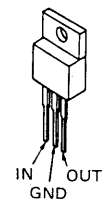
CXD2562Q



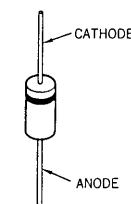
M37470M4-089SP



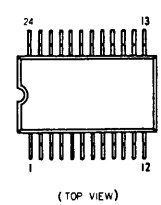
**TA7807S-LC
TA7812S-LC**



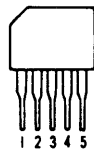
1N4148M



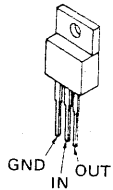
CXD2567M



M5231TL



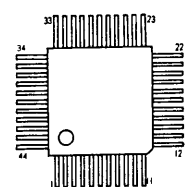
TA7912S-LC



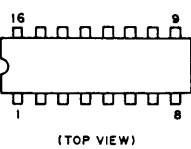
**DTA114ES
DTA144ES
DTC114ES
DTC143TS
2SC3622A-LK**



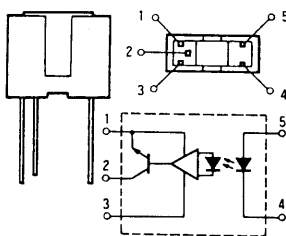
CXD2701Q



M5290P-16



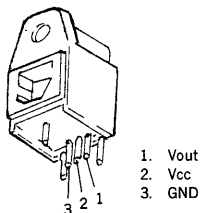
GP1A521



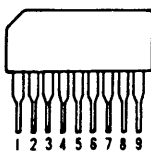
**DTA124ES
DTC144ES**



GP1F32T

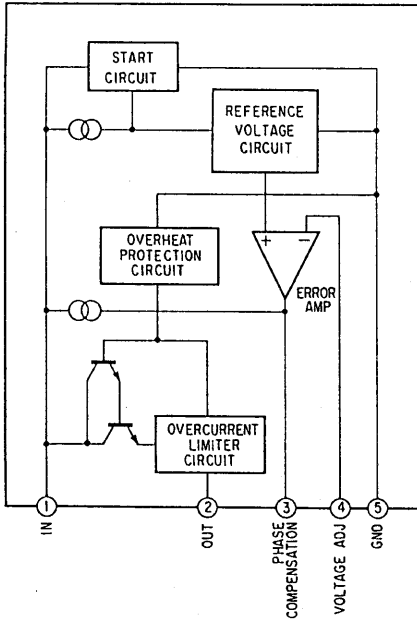


RC4556S

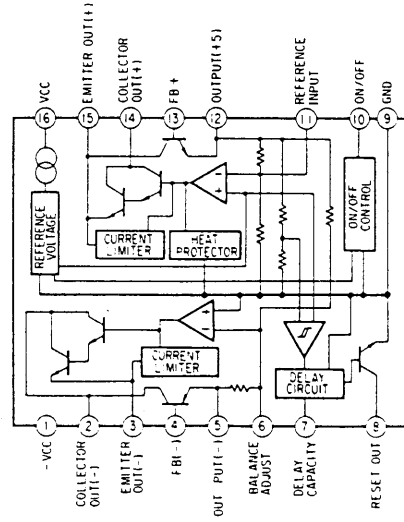


• IC Block Diagrams

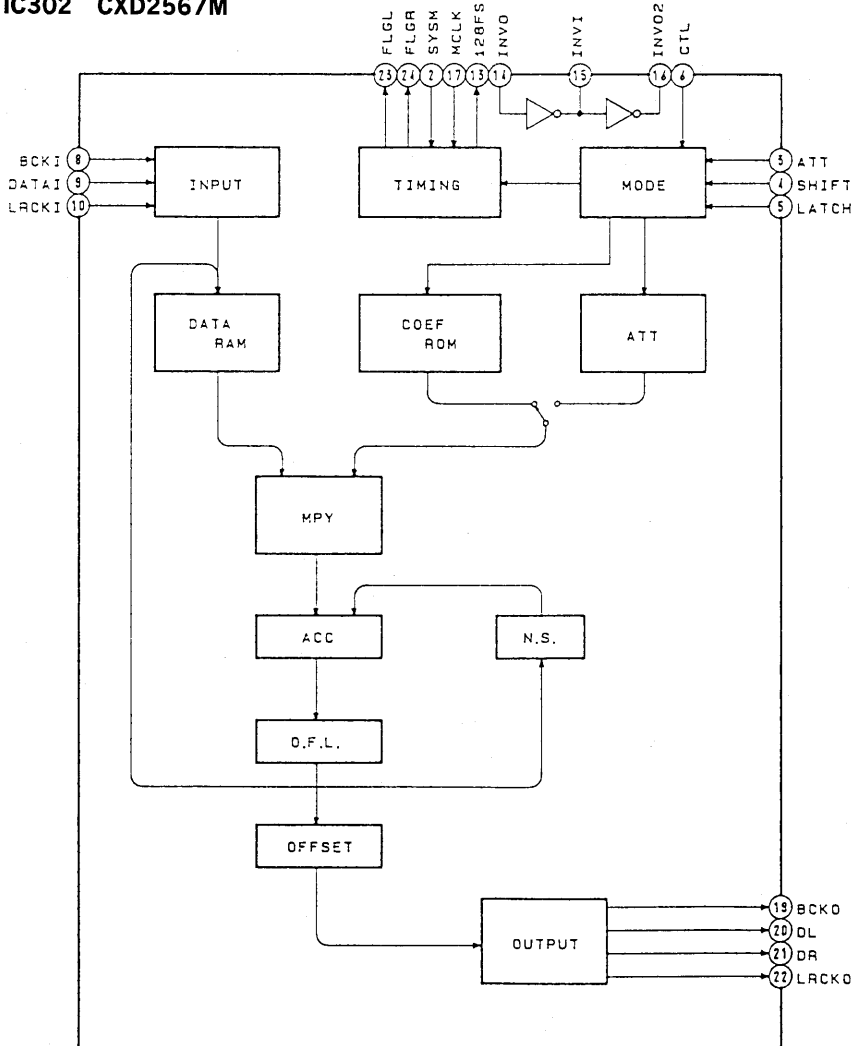
IC201 M5231TL



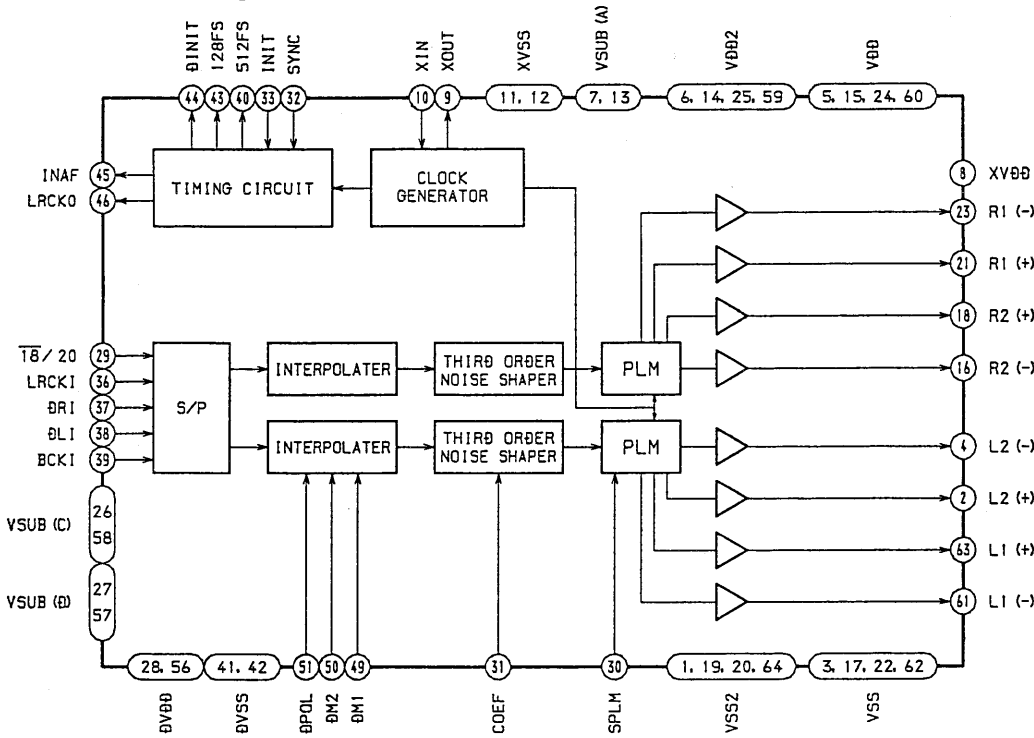
IC202 M5290P-16



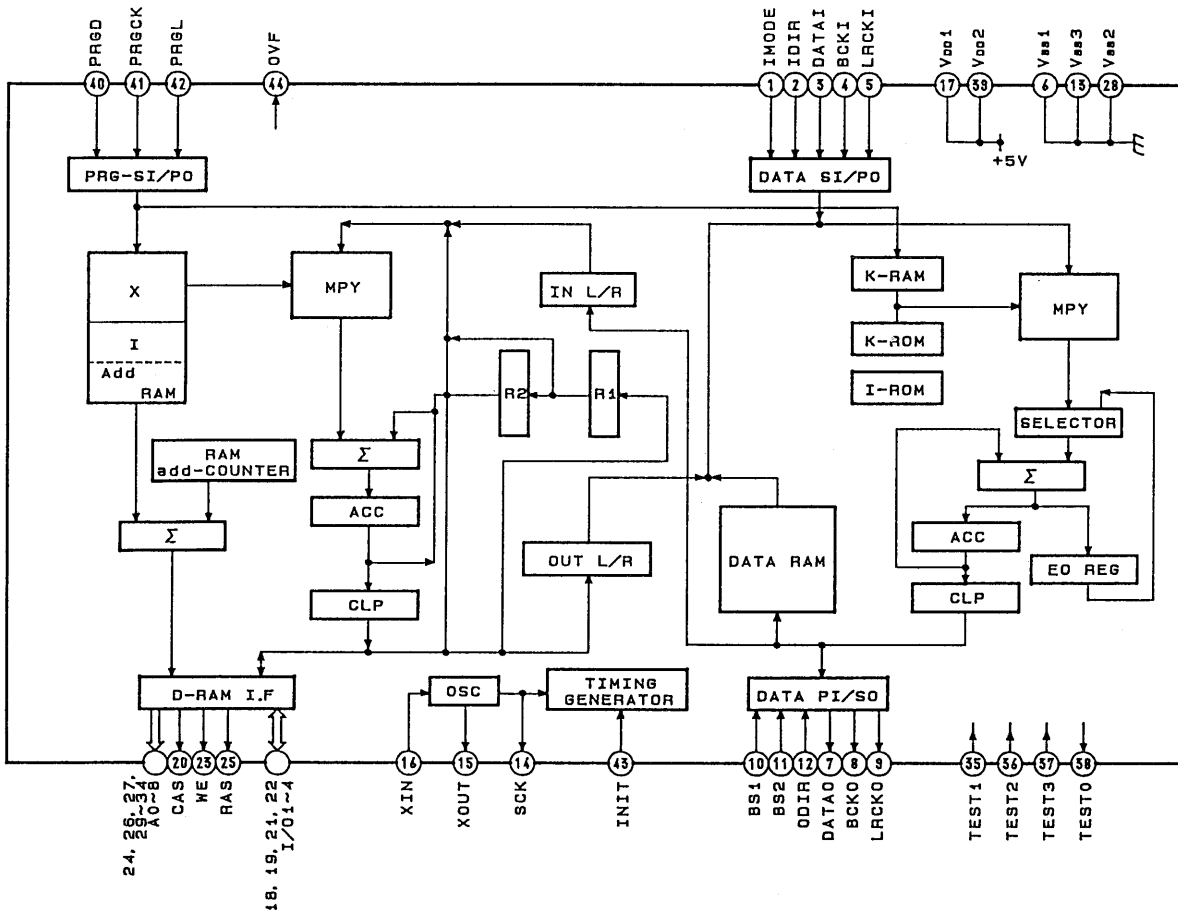
IC302 CXD2567M



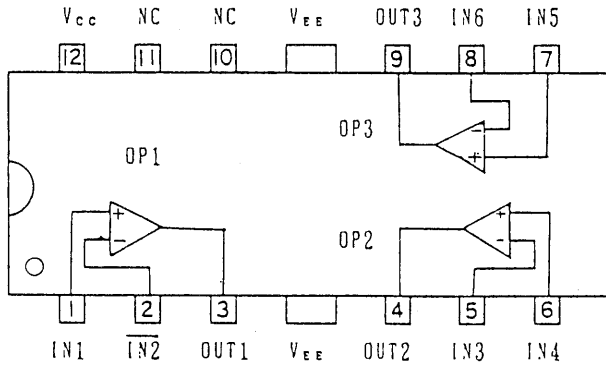
IC303 CXD2562Q



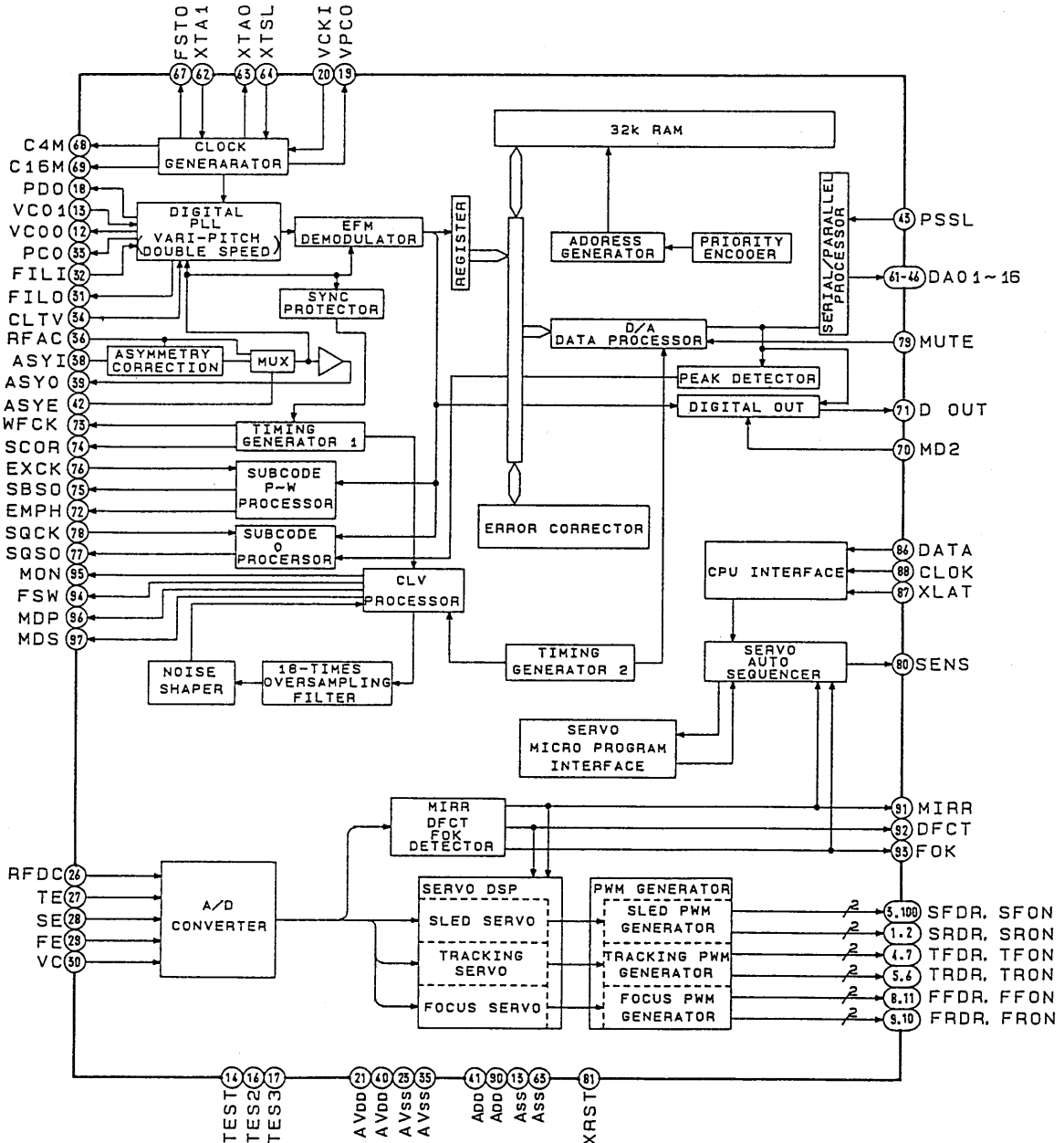
IC901 CXD2701Q



IC403 CXA1291P



IC101 CXD2515Q



SECTION 5 EXPLODED VIEWS

NOTE:

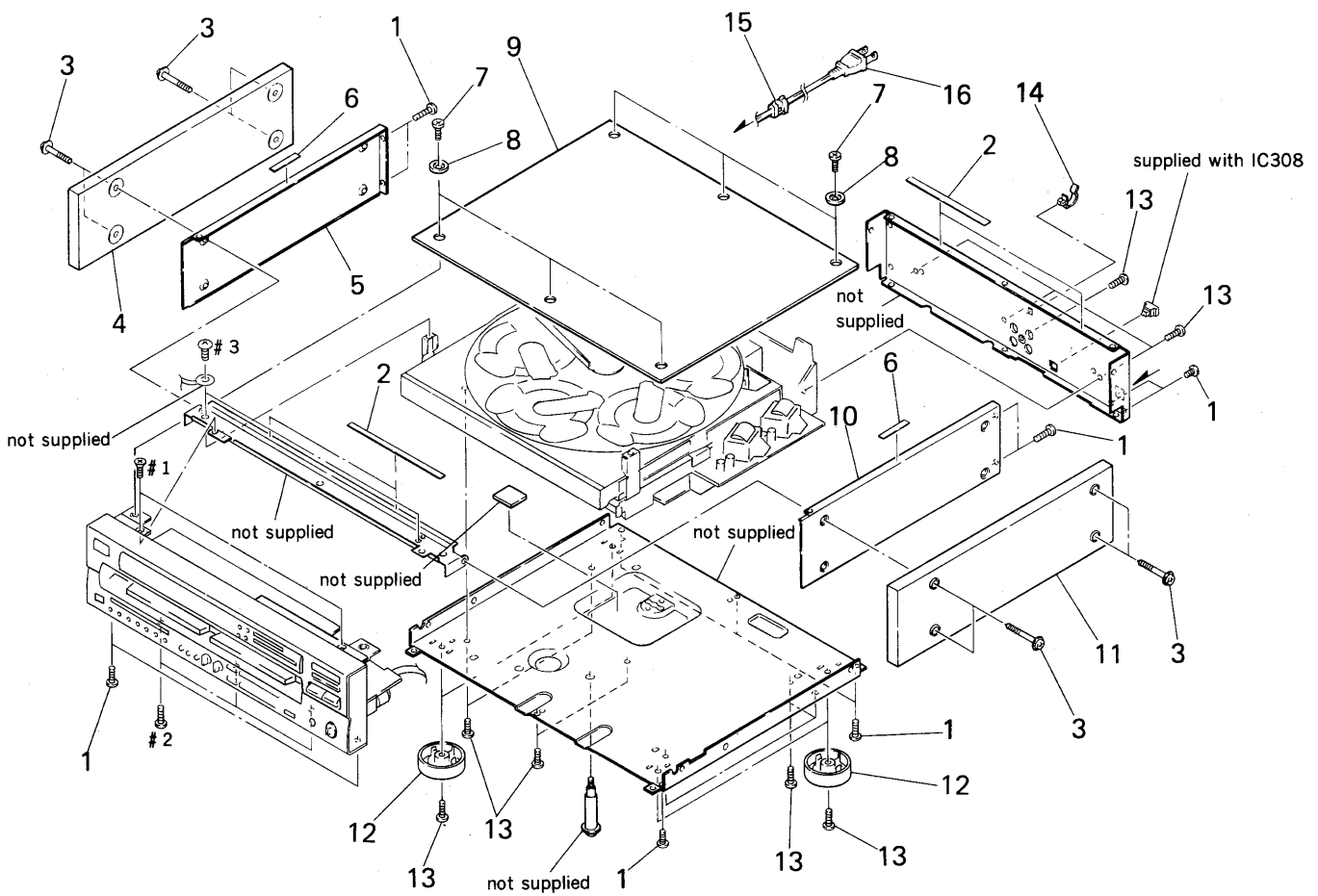
- The mechanical parts with no reference number in the exploded views are not supplied.
- Items marked "*" are not stocked since they are seldom required for routine service. Some delay should be anticipated when ordering these items.

- -XX and -X mean standardized parts, so they may have some difference from the original one.
- Color Indication of Appearance Parts
Example :
KNOB, BALANCE (WHITE)... (RED)
 ↑ ↑
 Parts Color Cabinet's Color
- Hardware (# mark) list is given in the last of this parts list.

The components identified by mark Δ or dotted line with mark Δ are critical for safety. Replace only with part number specified.

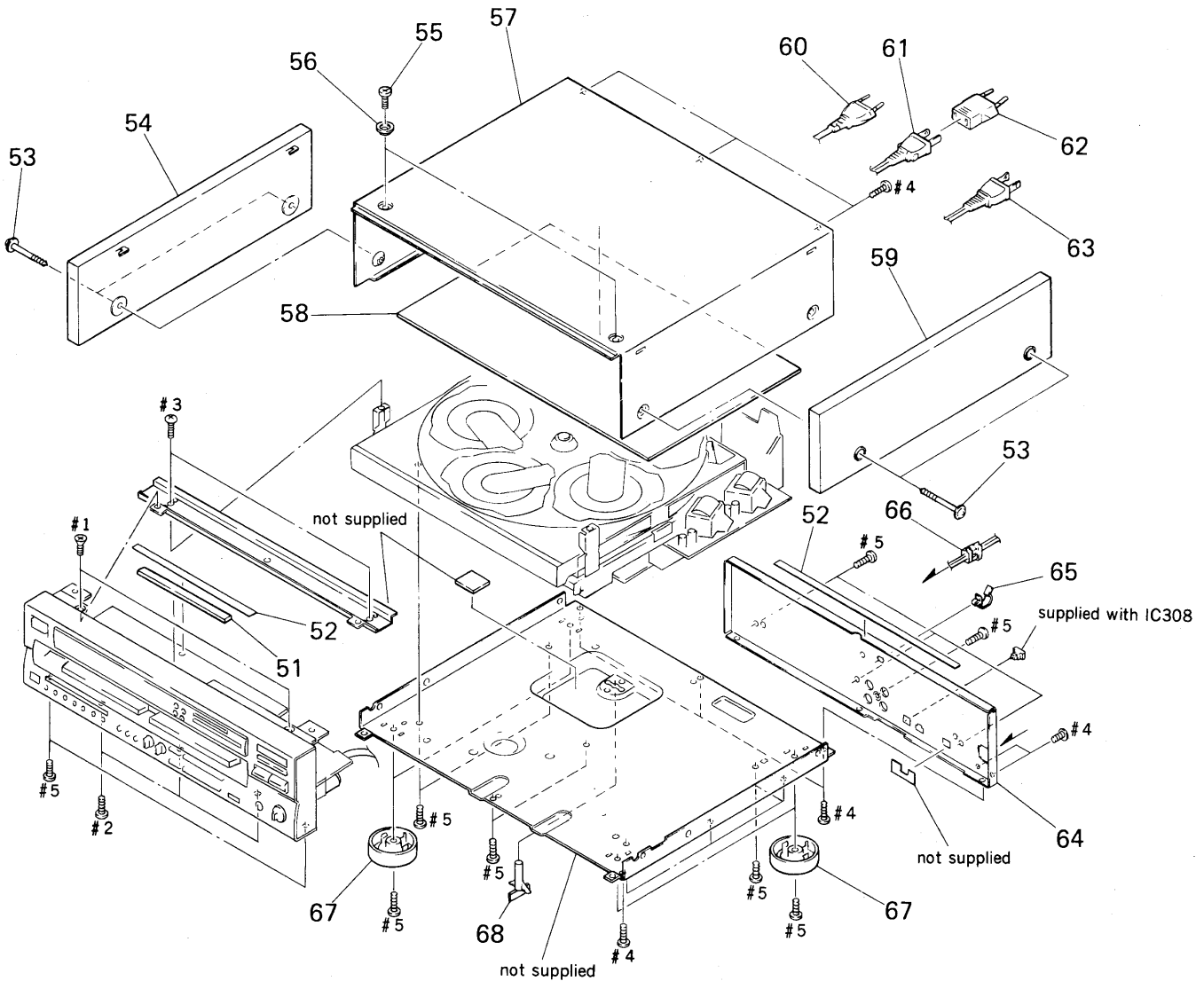
Les composants identifiés par une marque Δ sont critiques pour la sécurité. Ne les remplacer que par une pièce portant le numéro spécifié.

5-1. CABINET SECTION (C801ES)



| Ref. No. | Part No. | Description | Remark | Ref. No. | Part No. | Description | Remark |
|----------|--------------|-------------------------|--------|-------------|--------------|----------------------|--------|
| 1 | 3-703-108-31 | SCREW +BV 3X6, S TIGHT | | 9 | 4-945-422-01 | PLATE, TOP | |
| * 2 | 4-927-653-01 | SHEET (F/P) | | * 10 | 4-945-429-11 | PLATE (R), SIDE | |
| 3 | 4-933-446-01 | SCREW (SIDE PANEL) | | 11 | X-4941-641-1 | PANEL (R) ASSY, SIDE | |
| 4 | X-4941-640-1 | PANEL (L) ASSY, SIDE | | 12 | X-4943-497-1 | FOOT ASSY | |
| * 5 | 4-945-428-11 | PLATE (L), SIDE | | 13 | 4-951-621-01 | SCREW | |
| 6 | 3-831-441-XX | CUSHION (B), CABINET | | * 14 | 4-949-235-01 | HOOK | |
| 7 | 4-924-242-11 | SCREW (M3X6), FLAT HEAD | | * 15 | 3-703-244-00 | BUSHING (2104), CORD | |
| 8 | 4-928-025-11 | ESCUTCHEON (TOP PLATE) | | Δ 16 | 1-559-583-21 | CORD, POWER | |

5-2. CABINET SECTION (C701ES)

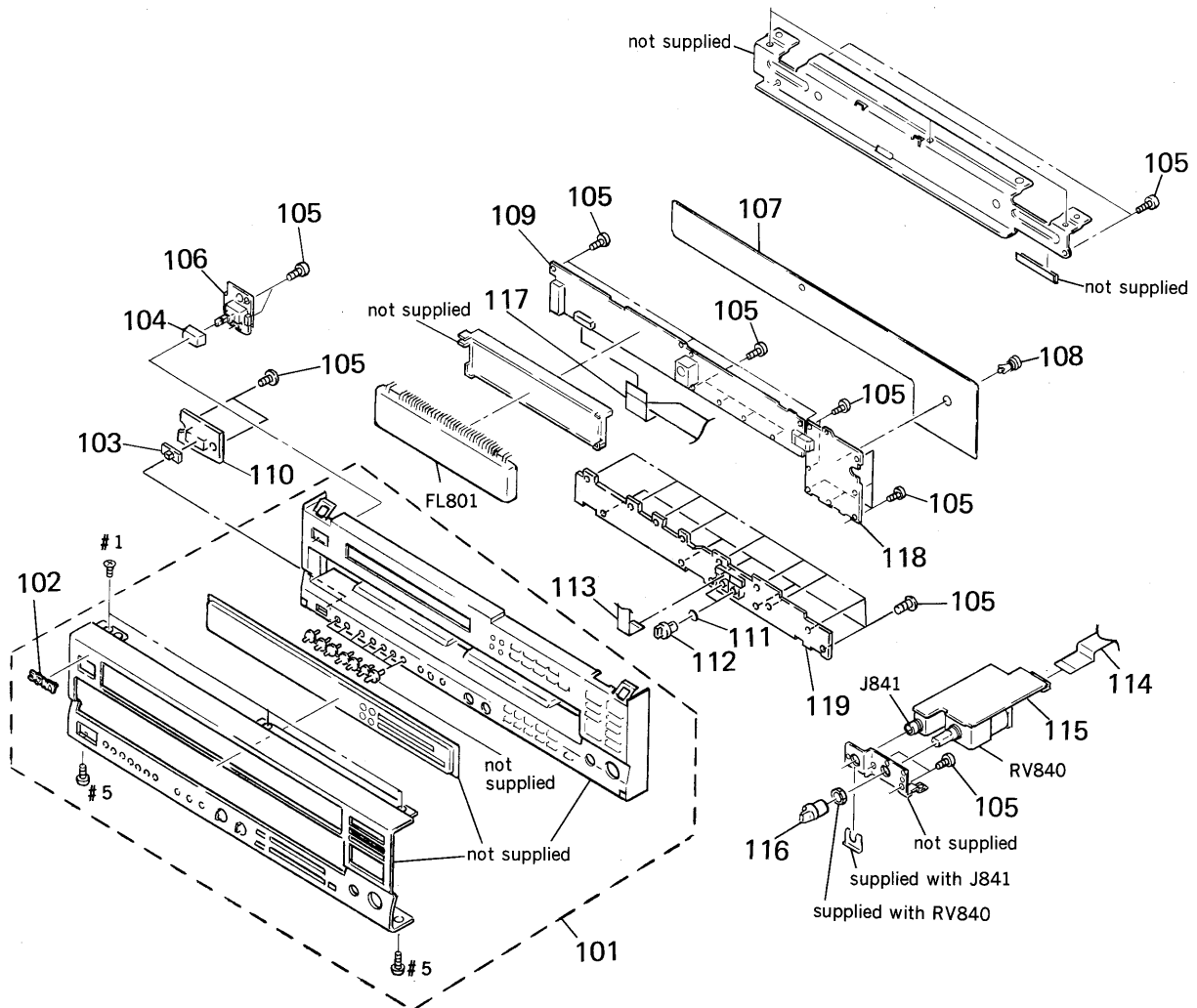


| | |
|---|--|
| <p>The components identified by mark \triangle or dotted line with mark \triangle are critical for safety. Replace only with part number specified.</p> | <p>Les composants identifiés par une marque \triangle sont critiques pour la sécurité. Ne les remplacer que par une pièce portant le numéro spécifié.</p> |
|---|--|

| Ref. No. | Part No. | Description | Remark |
|----------------|--------------|--------------------------------|--------|
| * 51 | 4-929-561-01 | CUSHION (CASE) | |
| * 52 | 4-927-653-01 | SHEET (F/P) | |
| 53 | 4-933-446-01 | SCREW (SIDE PANEL) | |
| 54 | X-4924-465-1 | PANEL (L) ASSY, SIDE | |
| 55 | 4-924-242-11 | SCREW (M3X6), FLAT HEAD | |
| 56 | 4-928-025-11 | ESCUTCHEON (TOP PLATE) | |
| * 57 | 4-937-934-01 | CASE | |
| 58 | A-4675-309-A | REINFORCEMENT (TOP PLATE) ASSY | |
| 59 | X-4924-466-1 | PANEL (R) ASSY, SIDE | |
| \triangle 60 | 1-558-568-21 | CORD, POWER (AEP) | |

| Ref. No. | Part No. | Description | Remark |
|----------------|--------------|----------------------------|--------|
| \triangle 61 | 1-558-181-21 | CORD, POWER (E) | |
| \triangle 62 | 1-569-007-11 | ADAPTER, CONVERSION 2P (E) | |
| \triangle 63 | 1-559-583-21 | CORD, POWER (US, Canadian) | |
| * 64 | 4-957-431-01 | PANEL, BACK (US, Canadian) | |
| * 64 | 4-957-431-11 | PANEL, BACK (AEP) | |
| * 64 | 4-957-431-21 | PANEL, BACK (E) | |
| * 65 | 4-949-235-01 | HOOK | |
| * 66 | 3-703-244-00 | BUSHING (2104), CORD | |
| 67 | X-4943-497-1 | FOOT ASSY | |
| 68 | 4-937-945-01 | PLATE (TRANSPORT), LOCK | |

5-3. FRONT PANEL SECTION



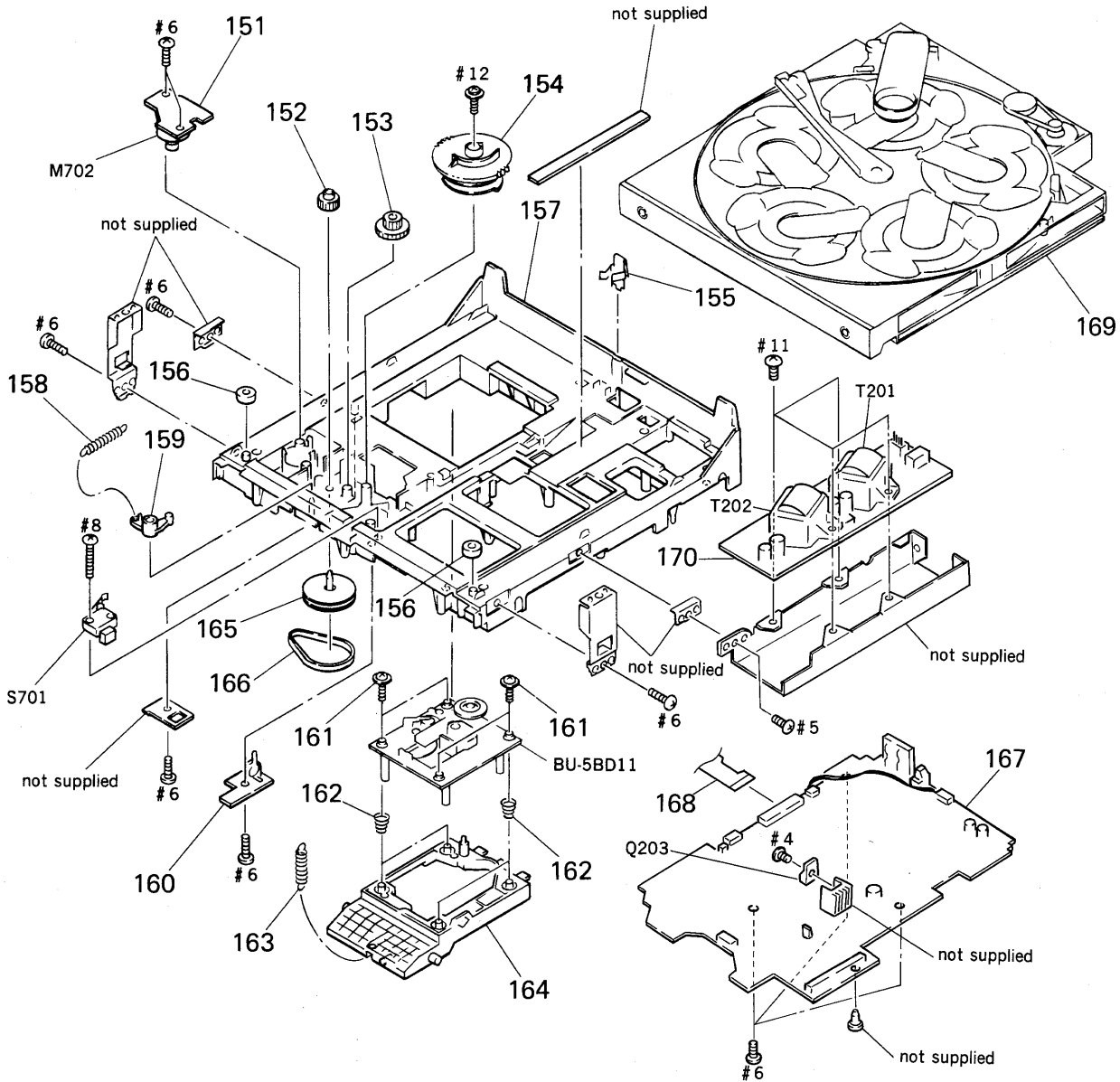
| Ref. No. | Part No. | Description | Remark |
|----------|--------------|---|--------|
| 101 | A-4660-340-A | PANEL ASSY, FRONT (C701ES:US, Canadian) | |
| 101 | A-4660-342-A | PANEL ASSY, FRONT (C701ES:AEP, E) | |
| 101 | A-4660-345-A | PANEL ASSY, FRONT (C801ES) | |
| 102 | 4-942-568-01 | EMBLEM (NO. 5), SONY | |
| 103 | 4-922-518-11 | KNOB (TIMER) | |
| 104 | 4-922-921-01 | BUTTON (POWER) | |
| 105 | 4-951-620-01 | SCREW (2. 6X8), +BVTP | |
| * 106 | 1-647-347-11 | P. SW BOARD | |
| 107 | 4-957-458-01 | SHEET (PANEL) | |
| 108 | 3-531-576-11 | RIVET | |
| * 109 | A-4649-638-A | DISPLAY BOARD, COMPLETE | |
| * 110 | 1-647-348-11 | TIMER BOARD | |

| Ref. No. | Part No. | Description | Remark |
|----------|--------------|---|--------|
| 111 | 3-354-981-01 | SPRING (SUS), RING | |
| 112 | 4-944-154-01 | KNOB (DSP) | |
| 113 | 1-751-045-11 | WIRE (FLAT TYPE) (14 CORE) | |
| 114 | 1-751-044-11 | WIRE (FLAT TYPE) (15 CORE) | |
| * 115 | 1-647-349-11 | HEADPHONE BOARD | |
| 116 | A-4660-389-A | KNOB (HP) ASSY | |
| 117 | 1-751-046-11 | WIRE (FLAT TYPE) (17 CORE) | |
| * 118 | 1-647-345-11 | FUNC BOARD | |
| * 119 | 1-647-346-11 | DSP BOARD | |
| FL801 | 1-519-714-11 | INDICATOR TUBE, FLUORESCENT | |
| J841 | 1-750-162-61 | JACK (LARGE TYPE) (PHONES) | |
| RV840 | 1-223-322-11 | RES, VAR, CARBON 10K/10K/10K (LINE OUT/PHONE LEVEL) | |

5-4. CHASSIS SECTION

The components identified by mark \triangle or dotted line with mark \triangle are critical for safety. Replace only with part number specified.

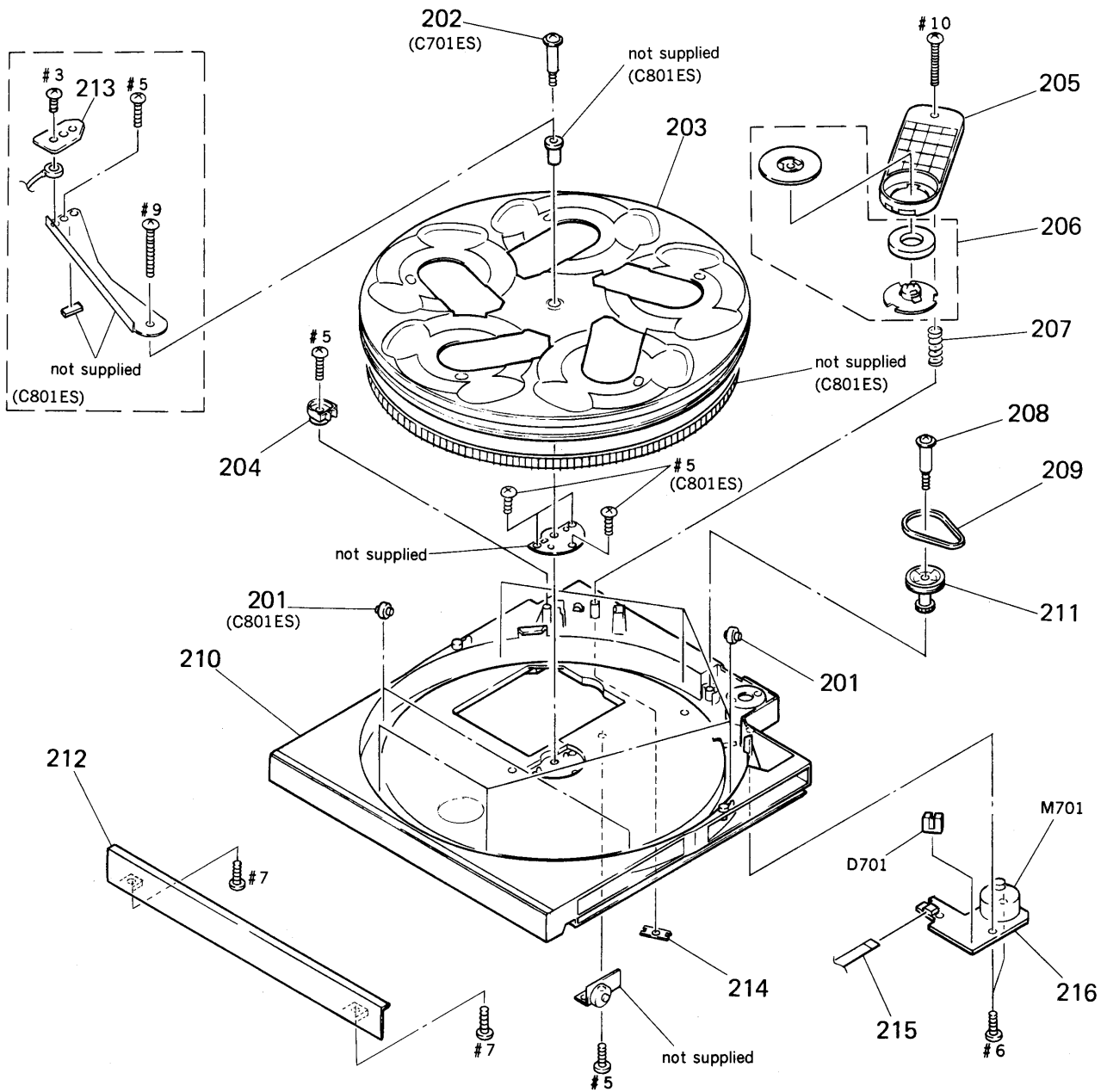
Les composants identifiés par une marque \triangle sont critiques pour la sécurité. Ne les remplacer que par une pièce portant le numéro spécifié.



| Ref. No. | Part No. | Description | Remark |
|----------|--------------|--------------------------|--------|
| * 151 | 1-638-730-11 | LOADING MOTOR BOARD | |
| 152 | 4-934-375-01 | GEAR (LOADING B) | |
| 153 | 4-934-381-01 | GEAR (LOADING C) | |
| 154 | 4-934-391-01 | GEAR (LOADING A) | |
| * 155 | 4-943-996-06 | SPRING, LEAF | |
| * 156 | 4-951-619-01 | CUSHION (A) | |
| * 157 | 4-943-997-01 | CHASSIS | |
| 158 | 4-924-412-01 | SPRING (B), TENSION | |
| 159 | 4-917-519-01 | LEVER, SET | |
| * 160 | 1-638-731-11 | OPEN/UP SW BOARD | |
| 161 | 4-933-134-01 | SCREW (+PTPWH M2. 6X6) | |
| 162 | 4-958-593-01 | SPRING (BU), COMPRESSION | |
| 163 | 4-937-911-01 | SPRING, TENSION | |
| * 164 | 4-934-373-01 | BRACKET (BU) | |
| 165 | 4-944-491-01 | PULLEY (LOADING A) | |
| 166 | 4-949-430-01 | BELT (G RIB) | |

| Ref. No. | Part No. | Description | Remark |
|------------------|--------------|--|--------|
| * 167 | A-4649-629-A | MAIN BOARD, COMPLETE (C701ES:US, Canadian) | |
| * 167 | A-4649-630-A | MAIN BOARD, COMPLETE (C701ES:E) | |
| * 167 | A-4649-634-A | MAIN BOARD, COMPLETE (C801ES) | |
| * 167 | A-4649-780-A | MAIN BOARD, COMPLETE (C701ES:AEP) | |
| 168 | 1-537-501-11 | JUMPER, FILM (WITH TERMINAL) | |
| 169 | A-4660-338-A | TABLE ASSY (CDM16P1), DISC (C701ES) | |
| 169 | A-4660-348-A | TABLE ASSY (CDM16K1), DISC (C801ES) | |
| * 170 | 1-647-342-11 | TRANSFORMER BOARD | |
| M702 | A-4604-871-A | MOTOR ASSY, LOADING | |
| Q203 | 8-729-821-73 | TRANSISTOR 2SB1274SA-RS | |
| S701 | 1-572-713-11 | SWITCH, PUSH (WITH CONNECTOR) (DOWN) | |
| \triangle T201 | 1-423-508-11 | TRANSFORMER, POWER (US, Canadian) | |
| \triangle T201 | 1-423-509-11 | TRANSFORMER, POWER (AEP) | |
| \triangle T201 | 1-423-510-11 | TRANSFORMER, POWER (E) | |
| \triangle T202 | 1-423-506-11 | TRANSFORMER, POWER (US, Canadian) | |
| \triangle T202 | 1-423-507-11 | TRANSFORMER, POWER (AEP) | |

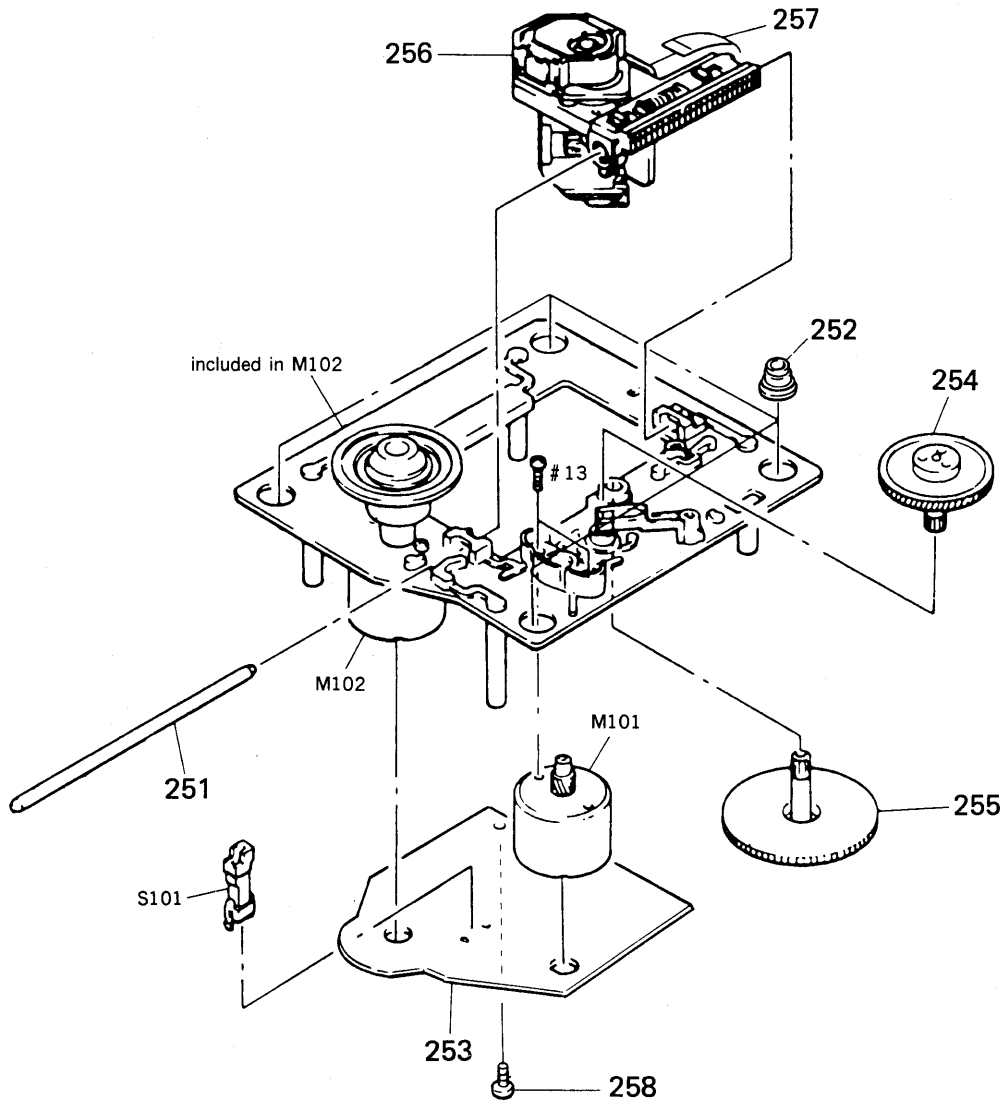
5-5. TRAY SECTION



| Ref. No. | Part No. | Description | Remark |
|----------|--------------|--------------------------|--------|
| 201 | X-4924-457-1 | ROLLER ASSY | |
| 202 | 4-926-384-01 | SCREW, STEP (C701ES) | |
| 203 | 4-926-383-11 | TABLE (B), DISC (C701ES) | |
| 203 | 4-944-305-01 | TABLE (B), DISC (C801ES) | |
| * 204 | 4-949-226-01 | PLATE, LOCK | |
| * 205 | 4-930-506-02 | BRACKET (PRESS PULLEY) | |
| * 206 | 1-452-538-11 | MAGNET | |
| 207 | 4-926-395-01 | SPRING, COMPRESSION | |
| 208 | 4-923-597-01 | SCREW, STEP | |
| 209 | 4-926-399-01 | BELT | |

| Ref. No. | Part No. | Description | Remark |
|----------|--------------|---------------------------|--------|
| 210 | 4-957-457-01 | TABLE (A), DISC | |
| 211 | 4-934-380-01 | PULLEY (R) | |
| 212 | 4-957-439-01 | PANEL (TABLE) (C801ES) | |
| 212 | 4-957-439-11 | PANEL (TABLE) (C701ES) | |
| * 213 | 1-647-365-11 | DISC TABLE BOARD (C801ES) | |
| * 214 | 4-926-388-01 | BRACKET (ADJUSTMENT) | |
| 215 | 1-590-849-11 | WIRE, FLAT TYPE (5 CORE) | |
| * 216 | 1-638-729-11 | TABLE MOTOR BOARD | |
| D701 | 8-719-970-19 | DIODE GP1A521 | |
| M701 | A-4604-585-A | MOTOR ASSY, ROTARY | |

5-6. OPTICAL PICK-UP BLOCK
(BU-5BD11)



| | |
|---|--|
| <p>The components identified by mark \triangle or dotted line with mark \triangle are critical for safety. Replace only with part number specified.</p> | <p>Les composants identifiés par une marque \triangle sont critiques pour la sécurité. Ne les remplacer que par une pièce portant le numéro spécifié.</p> |
|---|--|

| Ref. No. | Part No. | Description | Remark |
|-----------------|--------------|--------------------------|--------|
| 251 | 4-917-565-01 | SHAFT, SLED | |
| 252 | 4-933-126-01 | INSULATOR (A) | |
| * 253 | A-4649-433-A | BD BOARD, COMPLETE | |
| 254 | 4-917-567-01 | GEAR (M) | |
| 255 | 4-917-564-01 | GEAR (P), FLATNESS | |
| \triangle 256 | 8-848-144-11 | DEVICE, OPTICAL KSS-240A | |

| Ref. No. | Part No. | Description | Remark |
|----------|--------------|---------------------------|--------|
| 257 | 1-575-001-11 | WIRE, FLAT TYPE (12 CORE) | |
| 258 | 4-951-620-01 | SCREW (2.6X8), +BVTP | |
| M101 | X-4917-504-1 | MOTOR ASSY, SLED | |
| M102 | X-4917-523-3 | MOTOR ASSY, SPINDLE | |
| S101 | 1-572-085-11 | SWITCH, LEAF (LIMIT) | |

SECTION 6 ELECTRICAL PARTS LIST

BD

NOTE:

- Due to standardization, replacements in the parts list may be different from the parts specified in the diagrams or the components used on the set.
- -XX and -X mean standardized parts, so they may have some difference from the original one.
- RESISTORS
All resistors are in ohms.
METAL: Metal-film resistor.
METAL OXIDE: Metal oxide-film resistor.
F: nonflammable

- Items marked "*" are not stocked since they are seldom required for routine service. Some delay should be anticipated when ordering these items.
- SEMICONDUCTORS
In each case, u: μ , for example:
uA.: μ A. uPA.: μ PA.
uPB.: μ PB. uPC.: μ PC. uPD.: μ PD.
- CAPACITORS
uF: μ F
- COILS
uH: μ H

The components identified by mark Δ or dotted line with mark Δ are critical for safety. Replace only with part number specified.

Les composants identifiés par une marque Δ sont critiques pour la sécurité. Ne les remplacer que par une pièce portant le numéro spécifié.

When indicating parts by reference number, please include the board.

| Ref. No. | Part No. | Description | Remark |
|----------|--------------|-----------------------------|---------|
| * | A-4649-433-A | BD BOARD, COMPLETE ***** | |
| | | < CAPACITOR > | |
| C101 | 1-163-005-11 | CERAMIC CHIP 470PF | 10% 50V |
| C102 | 1-163-038-00 | CERAMIC CHIP 0.1uF | 25V |
| C103 | 1-163-005-11 | CERAMIC CHIP 470PF | 10% 50V |
| C105 | 1-135-155-21 | TANTALUM CHIP 4.7uF | 10% 16V |
| C106 | 1-164-346-11 | CERAMIC CHIP 1uF | 16V |
| C107 | 1-164-505-11 | CERAMIC CHIP 2.2uF | 16V |
| C108 | 1-163-035-00 | CERAMIC CHIP 0.047uF | 50V |
| C109 | 1-163-011-11 | CERAMIC CHIP 0.0015uF | 10% 50V |
| C110 | 1-163-017-00 | CERAMIC CHIP 0.0047uF | 5% 50V |
| C111 | 1-163-251-11 | CERAMIC CHIP 100PF | 5% 50V |
| C112 | 1-163-038-00 | CERAMIC CHIP 0.1uF | 25V |
| C113 | 1-163-038-00 | CERAMIC CHIP 0.1uF | 25V |
| C123 | 1-164-232-11 | CERAMIC CHIP 0.01uF | 50V |
| C124 | 1-164-005-11 | CERAMIC CHIP 0.47uF | 25V |
| C151 | 1-163-007-11 | CERAMIC CHIP 680PF | 10% 50V |
| C152 | 1-163-007-11 | CERAMIC CHIP 680PF | 10% 50V |
| C153 | 1-163-038-00 | CERAMIC CHIP 0.1uF | 25V |
| C154 | 1-164-336-11 | CERAMIC CHIP 0.33uF | 25V |
| C155 | 1-163-007-11 | CERAMIC CHIP 680PF | 10% 50V |
| C156 | 1-163-007-11 | CERAMIC CHIP 680PF | 10% 50V |
| C157 | 1-163-033-00 | CERAMIC CHIP 0.022uF | 50V |
| C158 | 1-163-033-00 | CERAMIC CHIP 0.022uF | 50V |
| C159 | 1-163-023-00 | CERAMIC CHIP 0.015uF | 5% 50V |
| C160 | 1-163-019-00 | CERAMIC CHIP 0.0068uF | 10% 50V |
| C161 | 1-163-038-00 | CERAMIC CHIP 0.1uF | 25V |
| | | < CONNECTOR > | |
| * CN101 | 1-568-865-11 | SOCKET, CONNECTOR 23P | |
| CN102 | 1-568-795-11 | SOCKET, CONNECTOR 12P | |
| | | < IC > | |
| IC101 | 8-752-351-94 | IC CXD2515Q | |
| IC102 | 8-759-071-79 | IC BA6297AFP | |

| Ref. No. | Part No. | Description | Remark |
|----------|--------------|----------------------|--------|
| | | < RESISTOR > | |
| R101 | 1-216-077-00 | METAL CHIP 15K 5% | 1/10W |
| R102 | 1-216-097-00 | METAL CHIP 100K 5% | 1/10W |
| R103 | 1-216-077-00 | METAL CHIP 15K 5% | 1/10W |
| R104 | 1-216-085-00 | METAL CHIP 33K 5% | 1/10W |
| R105 | 1-216-097-00 | METAL CHIP 100K 5% | 1/10W |
| R106 | 1-216-061-00 | METAL CHIP 3.3K 5% | 1/10W |
| R107 | 1-216-061-00 | METAL CHIP 3.3K 5% | 1/10W |
| R108 | 1-216-073-00 | METAL CHIP 10K 5% | 1/10W |
| R109 | 1-216-121-00 | METAL CHIP 1M 5% | 1/10W |
| R110 | 1-216-025-00 | METAL CHIP 100 5% | 1/10W |
| R112 | 1-216-049-00 | METAL CHIP 1K 5% | 1/10W |
| R113 | 1-216-077-00 | METAL CHIP 15K 5% | 1/10W |
| R114 | 1-216-077-00 | METAL CHIP 15K 5% | 1/10W |
| R117 | 1-216-077-00 | METAL CHIP 15K 5% | 1/10W |
| R118 | 1-216-077-00 | METAL CHIP 15K 5% | 1/10W |
| R121 | 1-216-077-00 | METAL CHIP 15K 5% | 1/10W |
| R122 | 1-216-077-00 | METAL CHIP 15K 5% | 1/10W |
| R123 | 1-216-073-00 | METAL CHIP 10K 5% | 1/10W |
| R124 | 1-216-097-00 | METAL CHIP 100K 5% | 1/10W |
| R128-130 | 1-216-049-00 | METAL CHIP 1K 5% | 1/10W |
| R131 | 1-216-037-00 | METAL CHIP 330 5% | 1/10W |
| R151-156 | 1-216-070-00 | METAL CHIP 7.5K 5% | 1/10W |
| R157 | 1-216-093-00 | METAL CHIP 68K 5% | 1/10W |
| R158 | 1-216-076-00 | METAL CHIP 13K 5% | 1/10W |
| R159 | 1-216-085-00 | METAL CHIP 33K 5% | 1/10W |
| R160 | 1-216-081-00 | METAL CHIP 22K 5% | 1/10W |
| R161 | 1-216-308-00 | METAL CHIP 4.7 5% | 1/10W |
| R162 | 1-216-093-00 | METAL CHIP 68K 5% | 1/10W |
| R163 | 1-216-093-00 | METAL CHIP 68K 5% | 1/10W |
| | | < SWITCH > | |
| S101 | 1-572-085-11 | SWITCH, LEAF (LIMIT) | |

DISC TABLE

DISPLAY

DSP

| Ref.No. | Part No. | Description | Remark |
|----------|--------------|------------------------------------|--------|
| * | 1-647-365-11 | DISC TABLE BOARD (C801ES) ***** | |
| | | < CONNECTOR > | |
| * CN410 | 1-564-704-11 | PIN, CONNECTOR 2P (C801ES) | |
| | | < RESISTOR > | |
| R999 | 1-249-417-11 | CARBON 1K 5% 1/4W (C801ES) | |
| ***** | | | |
| * | A-4649-638-A | DISPLAY BOARD, COMPLETE ***** | |
| * | 4-945-419-01 | HOLDER (FL) < CAPACITOR > | |
| C801 | 1-124-584-00 | ELECT 100uF 20% 10V | |
| C802 | 1-161-494-00 | CERAMIC 0.022uF 25V | |
| C803 | 1-161-494-00 | CERAMIC 0.022uF 25V | |
| C811 | 1-161-494-00 | CERAMIC 0.022uF 25V | |
| | | < CONNECTOR > | |
| CN801 | 1-750-234-11 | CONNECTOR, FFC/FPC 17P | |
| CN802 | 1-750-195-11 | CONNECTOR, BOARD TO BOARD 6P | |
| * CN803 | 1-691-963-11 | CONNECTOR, BOARD TO BOARD 14P | |
| | | < DIODE > | |
| D801 | 8-719-987-63 | DIODE 1N4148M | |
| D802 | 8-719-987-63 | DIODE 1N4148M | |
| D803 | 8-719-987-63 | DIODE 1N4148M | |
| D804 | 8-719-987-63 | DIODE 1N4148M | |
| D805 | 8-719-987-63 | DIODE 1N4148M | |
| D806 | 8-719-987-63 | DIODE 1N4148M | |
| | | < FLUORESCENT INDICATOR > | |
| FL801 | 1-519-714-11 | INDICATOR TUBE, FLUORESCENT | |
| | | < IC > | |
| IC801 | 8-759-164-91 | IC MSC62408-102V1K | |
| IC811 | 8-741-100-48 | IC SBX1610-59 | |
| | | < TRANSISTOR > | |
| Q801-804 | 8-729-900-80 | TRANSISTOR DTC114ES | |
| | | < RESISTOR > | |
| R801 | 1-249-425-11 | CARBON 4.7K 5% 1/4W | |

| Ref.No. | Part No. | Description | Remark |
|---------|--------------|--|--------|
| R802 | 1-249-429-11 | CARBON 10K 5% 1/4W | |
| R803 | 1-247-903-00 | CARBON 1M 5% 1/4W | |
| R804 | 1-249-441-11 | CARBON 100K 5% 1/4W | |
| R805 | 1-249-441-11 | CARBON 100K 5% 1/4W | |
| R808 | 1-249-417-11 | CARBON 1K 5% 1/4W | |
| | | < SWITCH > | |
| S820 | 1-554-303-21 | SWITCH, TACTILE (EDIT/TIME FADE) | |
| S821 | 1-554-303-21 | SWITCH, TACTILE (REPEAT) | |
| S822 | 1-554-303-21 | SWITCH, TACTILE (CONTINUE (PLAY MODE)) | |
| S823 | 1-554-303-21 | SWITCH, TACTILE (SHUFFLE (PLAY MODE)) | |
| S824 | 1-554-303-21 | SWITCH, TACTILE (PROGRAM (PLAY MODE)) | |
| S825 | 1-554-303-21 | SWITCH, TACTILE (BANK (PLAY MODE)) | |
| S826 | 1-554-303-21 | SWITCH, TACTILE (DISC 1) | |
| S827 | 1-554-303-21 | SWITCH, TACTILE (DISC 2) | |
| S828 | 1-554-303-21 | SWITCH, TACTILE (DISC 3) | |
| S829 | 1-554-303-21 | SWITCH, TACTILE (DISC 4) | |
| S830 | 1-554-303-21 | SWITCH, TACTILE (DISC 5) | |
| S831 | 1-554-303-21 | SWITCH, TACTILE (P. SEARCH) | |
| S832 | 1-554-303-21 | SWITCH, TACTILE (TIME/MEMO) | |
| | | < VIBRATOR > | |
| X801 | 1-577-358-21 | VIBRATOR, CERAMIC (4MHz) | |
| ***** | | | |
| * | 1-647-346-11 | DSP BOARD ***** | |
| | | < CONNECTOR > | |
| CN872 | 1-750-225-11 | CONNECTOR, FFC/FPC 14P | |
| * CN880 | 1-568-936-11 | PIN, CONNECTOR 9P | |
| | | < DIODE > | |
| D871 | 8-719-301-49 | LED SEL2810A (HALL) | |
| D872 | 8-719-301-49 | LED SEL2810A (CHURCH) | |
| D873 | 8-719-301-49 | LED SEL2810A (JAZZ CLUB) | |
| D874 | 8-719-301-49 | LED SEL2810A (STADIUM) | |
| D875 | 8-719-301-49 | LED SEL2810A (DANCE) | |
| D876 | 8-719-301-49 | LED SEL2810A (LIVE ROOM) | |
| D877 | 8-719-301-49 | LED SEL2810A (SOFT) | |
| | | < RESISTOR > | |
| R870 | 1-249-425-11 | CARBON 4.7K 5% 1/4W | |
| R876 | 1-249-416-11 | CARBON 820 5% 1/4W | |
| R879 | 1-247-850-11 | CARBON 6.2K 5% 1/4W | |
| R880 | 1-249-425-11 | CARBON 4.7K 5% 1/4W | |
| R882 | 1-249-409-11 | CARBON 220 5% 1/4W | |

DSP

FUNC

HEADPHONE

LOADING MOTOR

| Ref. No. | Part No. | Description | Remark |
|----------|--------------|-------------------------------------|--------|
| | | < VARIABLE RESISTOR > | |
| RV871 | 1-241-514-11 | RES, VAR, CARBON 10K (EQUALIZER) | |
| RV872 | 1-241-514-11 | RES, VAR, CARBON 10K (REVERB) | |
| | | < SWITCH > | |
| S870 | 1-554-303-21 | SWITCH, TACTILE (SELECT (DSP MODE)) | |
| S876 | 1-554-303-21 | SWITCH, TACTILE (DIRECT (DSP MODE)) | |
| S879 | 1-554-303-21 | SWITCH, TACTILE (FILE (DSP MODE)) | |
| S880 | 1-554-303-21 | SWITCH, TACTILE (FILE) | |
| S881 | 1-554-303-21 | SWITCH, TACTILE (1) | |
| S882 | 1-554-303-21 | SWITCH, TACTILE (2) | |
| S883 | 1-554-303-21 | SWITCH, TACTILE (3) | |
| S884 | 1-554-303-21 | SWITCH, TACTILE (4) | |
| S885 | 1-554-303-21 | SWITCH, TACTILE (5) | |
| S886 | 1-554-303-21 | SWITCH, TACTILE (LEVEL FILE) | |
| S887 | 1-554-303-21 | SWITCH, TACTILE (ERASE) | |
| S888 | 1-554-303-21 | SWITCH, TACTILE (6) | |
| S889 | 1-554-303-21 | SWITCH, TACTILE (7) | |
| S890 | 1-554-303-21 | SWITCH, TACTILE (8) | |
| S891 | 1-554-303-21 | SWITCH, TACTILE (9) | |
| S892 | 1-554-303-21 | SWITCH, TACTILE (10) | |
| S893 | 1-554-303-21 | SWITCH, TACTILE (>10) | |
| ***** | | | |
| * | 1-647-345-11 | FUNC BOARD | |
| | | ***** | |
| * | 3-362-478-11 | HOLDER (T), LED | |
| | | < CONNECTOR > | |
| * CN811 | 1-691-962-11 | CONNECTOR, BOARD TO BOARD 14P | |
| | | < DIODE > | |
| D807 | 8-719-301-52 | LED SEL2810A-C (■) | |
| D808 | 8-719-303-00 | LED SEL2510C-C (>) | |
| | | < RESISTOR > | |
| R306 | 1-249-409-11 | CARBON 220 5% 1/4W | |
| R307 | 1-249-406-11 | CARBON 120 5% 1/4W | |
| | | < SWITCH > | |
| S801 | 1-554-303-21 | SWITCH, TACTILE (■) | |
| S802 | 1-554-303-21 | SWITCH, TACTILE (■) | |
| S803 | 1-554-303-21 | SWITCH, TACTILE (▶) | |
| S804 | 1-554-303-21 | SWITCH, TACTILE (▶▶) | |
| S805 | 1-554-303-21 | SWITCH, TACTILE (◀) | |
| S806 | 1-554-303-21 | SWITCH, TACTILE (▶▶) | |
| S807 | 1-554-303-21 | SWITCH, TACTILE (◀◀) | |

| Ref. No. | Part No. | Description | Remark |
|----------|--------------|---|---------|
| S808 | 1-554-303-21 | SWITCH, TACTILE (☒ OPEN/CLOSE) | |
| S809 | 1-554-303-21 | SWITCH, TACTILE (DISC SKIP) | |
| ***** | | | |
| * | 1-647-349-11 | HEADPHONE BOARD | |
| | | ***** | |
| | | < CAPACITOR > | |
| C501 | 1-164-159-11 | CERAMIC 0.1uF | 50V |
| C571 | 1-126-024-11 | ELECT 220uF | 20% 16V |
| C572 | 1-126-024-11 | ELECT 220uF | 20% 16V |
| C841 | 1-162-290-31 | CERAMIC 470PF | 10% 50V |
| C842 | 1-162-290-31 | CERAMIC 470PF | 10% 50V |
| C843 | 1-164-159-11 | CERAMIC 0.1uF | 50V |
| | | < CONNECTOR > | |
| CN841 | 1-750-232-11 | CONNECTOR, FFC/FPC 15P | |
| | | < IC > | |
| IC841 | 8-759-981-89 | IC RC4556S | |
| | | < JACK > | |
| J841 | 1-750-162-61 | JACK (LARGE TYPE) (PHONES) | |
| | | < RESISTOR > | |
| R571 | 1-249-405-11 | CARBON 100 5% 1/4W | |
| R572 | 1-249-405-11 | CARBON 100 5% 1/4W | |
| R573 | 1-249-434-11 | CARBON 27K 5% 1/4W | |
| R574 | 1-249-437-11 | CARBON 47K 5% 1/4W | |
| R575 | 1-249-437-11 | CARBON 47K 5% 1/4W | |
| R576 | 1-249-402-11 | CARBON 56 5% 1/4W | |
| R577 | 1-247-881-00 | CARBON 120K 5% 1/4W | |
| R583 | 1-249-434-11 | CARBON 27K 5% 1/4W | |
| R584 | 1-249-437-11 | CARBON 47K 5% 1/4W | |
| R585 | 1-249-437-11 | CARBON 47K 5% 1/4W | |
| R586 | 1-249-402-11 | CARBON 56 5% 1/4W | |
| R587 | 1-247-881-00 | CARBON 120K 5% 1/4W | |
| | | < VARIABLE RESISTOR > | |
| RV840 | 1-223-322-11 | RES, VAR, CARBON 10K/10K/10K (LINE OUT/PHONE LEVEL) | |
| ***** | | | |
| * | 1-638-730-11 | LOADING MOTOR BOARD | |
| | | ***** | |
| | | < CAPACITOR > | |
| C705 | 1-161-375-00 | CERAMIC 0.0022uF | 20% 50V |

MAIN

| Ref. No. | Part No. | Description | Remark |
|---------------|--------------|--|---------------|
| * | A-4649-629-A | MAIN BOARD, COMPLETE (C701ES:US, Canadian) | |
| * | A-4649-630-A | MAIN BOARD, COMPLETE (C701ES:E) | |
| * | A-4649-634-A | MAIN BOARD, COMPLETE (C801ES) | |
| * | A-4649-780-A | MAIN BOARD, COMPLETE (C701ES:AEP) | |
| ***** | | | |
| * | 4-363-146-21 | HEAT SINK, V. OUT | |
| | 7-682-547-09 | SCREW +BVTT 3X6 (S) | |
| < CAPACITOR > | | | |
| C201 | 1-124-572-11 | ELECT | 100uF 20% 63V |
| C202 | 1-126-163-11 | ELECT | 4.7uF 20% 50V |
| C205 | 1-126-163-11 | ELECT | 4.7uF 20% 50V |
| C206 | 1-126-059-11 | ELECT | 10uF 20% 50V |
| C207 | 1-126-059-11 | ELECT | 10uF 20% 50V |
| C208 | 1-126-022-11 | ELECT | 47uF 20% 16V |
| C210 | 1-126-101-11 | ELECT | 100uF 20% 16V |
| C211 | 1-126-012-11 | ELECT | 470uF 20% 16V |
| C212 | 1-126-024-11 | ELECT (E) | 220uF 20% 16V |
| C213 | 1-126-024-11 | ELECT (E) | 220uF 20% 16V |
| C215 | 1-126-101-11 | ELECT | 100uF 20% 16V |
| C218 | 1-126-053-11 | ELECT (E) | 220uF 20% 35V |
| C219 | 1-126-053-11 | ELECT (E) | 220uF 20% 35V |
| C220 | 1-164-159-11 | CERAMIC | 0.1uF 50V |
| C223 | 1-126-022-11 | ELECT | 47uF 20% 16V |
| C301 | 1-164-159-11 | CERAMIC | 0.1uF 50V |
| C310 | 1-136-165-00 | FILM | 0.1uF 5% 50V |
| C320 | 1-164-159-11 | CERAMIC | 0.1uF 50V |
| C323 | 1-164-159-11 | CERAMIC | 0.1uF 50V |
| C331 | 1-162-208-31 | CERAMIC | 24PF 5% 50V |
| C332 | 1-164-159-11 | CERAMIC | 0.1uF 50V |
| C333 | 1-162-205-31 | CERAMIC | 18PF 5% 50V |
| C336 | 1-124-589-11 | ELECT | 47uF 20% 16V |
| C337 | 1-164-159-11 | CERAMIC | 0.1uF 50V |
| C341 | 1-164-159-11 | CERAMIC | 0.1uF 50V |
| C342 | 1-124-994-11 | ELECT | 100uF 20% 10V |
| C343 | 1-164-159-11 | CERAMIC | 0.1uF 50V |
| C344 | 1-124-994-11 | ELECT | 100uF 20% 10V |
| C345 | 1-164-159-11 | CERAMIC | 0.1uF 50V |
| C346 | 1-164-159-11 | CERAMIC | 0.1uF 50V |
| C348 | 1-164-159-11 | CERAMIC | 0.1uF 50V |
| C349 | 1-124-994-11 | ELECT | 100uF 20% 10V |
| C351 | 1-164-159-11 | CERAMIC | 0.1uF 50V |
| C353 | 1-162-199-31 | CERAMIC | 10PF 5% 50V |
| C354 | 1-162-199-31 | CERAMIC | 10PF 5% 50V |
| C356 | 1-124-994-11 | ELECT | 100uF 20% 10V |

| Ref. No. | Part No. | Description | Remark |
|----------|--------------|--------------------|-----------------|
| C357 | 1-124-994-11 | ELECT | 100uF 20% 10V |
| C358 | 1-164-159-11 | CERAMIC | 0.1uF 50V |
| C361 | 1-162-280-31 | CERAMIC | 82PF 10% 50V |
| C363-366 | | | |
| | 1-162-211-31 | CERAMIC | 33PF 5% 50V |
| C367 | 1-162-280-31 | CERAMIC | 82PF 10% 50V |
| C371 | 1-106-359-00 | MYLAR | 4700PF 5% 200V |
| C372 | 1-106-359-00 | MYLAR | 4700PF 5% 200V |
| C373 | 1-130-472-00 | MYLAR | 0.0012uF 5% 50V |
| C374 | 1-130-472-00 | MYLAR | 0.0012uF 5% 50V |
| C375 | 1-126-012-11 | ELECT | 470uF 20% 16V |
| C376 | 1-126-012-11 | ELECT | 470uF 20% 16V |
| C377 | 1-124-910-11 | ELECT | 47uF 20% 50V |
| C378 | 1-124-910-11 | ELECT | 47uF 20% 50V |
| C390 | 1-130-472-00 | MYLAR | 0.0012uF 5% 50V |
| C391 | 1-130-472-00 | MYLAR | 0.0012uF 5% 50V |
| C401 | 1-126-022-11 | ELECT | 47uF 20% 16V |
| C402 | 1-162-306-11 | CERAMIC | 0.01uF 20% 16V |
| C403 | 1-126-022-11 | ELECT | 47uF 20% 16V |
| C404 | 1-126-022-11 | ELECT | 47uF 20% 16V |
| C408-410 | | | |
| | 1-164-159-11 | CERAMIC | 0.1uF 50V |
| C411 | 1-104-905-11 | CAP, DOUBLE LAYERS | 0.22F 5.5V |
| C412 | 1-164-159-11 | CERAMIC | 0.1uF 50V |
| C413 | 1-162-306-11 | CERAMIC | 0.01uF 20% 16V |
| C434-436 | | | |
| | 1-162-294-31 | CERAMIC | 0.001uF 10% 50V |
| C451 | 1-162-306-11 | CERAMIC | 0.01uF 20% 16V |
| C490 | 1-162-282-31 | CERAMIC | 100PF 10% 50V |
| C520 | 1-162-306-11 | CERAMIC | 0.01uF 20% 16V |
| C601 | 1-162-306-11 | CERAMIC | 0.01uF 20% 16V |
| C602-605 | | | |
| | 1-164-159-11 | CERAMIC | 0.1uF 50V |
| C901 | 1-164-159-11 | CERAMIC | 0.1uF 50V |
| C902 | 1-124-589-11 | ELECT | 47uF 20% 16V |
| C903 | 1-164-159-11 | CERAMIC | 0.1uF 50V |
| C904 | 1-126-022-11 | ELECT | 47uF 20% 16V |
| C905 | 1-162-306-11 | CERAMIC | 0.01uF 20% 16V |
| C909 | 1-162-306-11 | CERAMIC | 0.01uF 20% 16V |
| C912 | 1-136-165-00 | FILM | 0.1uF 5% 50V |
| C913 | 1-136-165-00 | FILM | 0.1uF 5% 50V |
| C915 | 1-164-159-11 | CERAMIC | 0.1uF 50V |
| C941 | 1-162-219-31 | CERAMIC | 68PF 5% 50V |
| C942 | 1-124-910-11 | ELECT | 47uF 20% 50V |
| C943-945 | | | |
| | 1-124-463-00 | ELECT | 0.1uF 20% 50V |
| C971 | 1-162-219-31 | CERAMIC | 68PF 5% 50V |
| C972 | 1-124-910-11 | ELECT | 47uF 20% 50V |
| C973-975 | | | |
| | 1-124-463-00 | ELECT | 0.1uF 20% 50V |

| Ref. No. | Part No. | Description | Remark |
|---------------|--------------|------------------------------------|--------|
| < CONNECTOR > | | | |
| CN401 | 1-750-227-11 | CONNECTOR, FFC/FPC 17P | |
| * CN404 | 1-568-943-11 | PIN, CONNECTOR 5P | |
| * CN406 | 1-568-824-11 | SOCKET, CONNECTOR 5P | |
| CN601 | 1-566-213-11 | PIN, CONNECTOR 4P (CONTROLS (IN)) | |
| CN901 | 1-750-231-11 | CONNECTOR, FFC/FPC 14P | |
| CN903 | 1-750-226-11 | CONNECTOR, FFC/FPC 15P | |
| CN904 | 1-750-235-11 | CONNECTOR, FFC/FPC 22P | |
| < DIODE > | | | |
| D201 | 8-719-200-82 | DIODE 11ES2 | |
| D202 | 8-719-109-87 | DIODE RD5.6ES-B | |
| D208 | 8-719-109-85 | DIODE RD5.1ES-B2 | |
| D209 | 8-719-987-63 | DIODE 1N4148M | |
| D215 | 8-719-200-82 | DIODE 11ES2 (E) | |
| D216 | 8-719-200-82 | DIODE 11ES2 (E) | |
| D217 | 8-719-987-63 | DIODE 1N4148M (E) | |
| D218 | 8-719-987-63 | DIODE 1N4148M (E) | |
| D351 | 8-719-987-63 | DIODE 1N4148M | |
| D401 | 8-719-987-63 | DIODE 1N4148M | |
| D601 | 8-719-987-63 | DIODE 1N4148M | |
| D602 | 8-719-987-63 | DIODE 1N4148M | |
| D603 | 8-719-109-87 | DIODE RD5.6ES-B | |
| < IC > | | | |
| IC201 | 8-759-605-43 | IC M5231TL | |
| IC202 | 8-759-630-21 | IC M5290P-16 | |
| IC203 | 8-759-145-58 | IC uPC4558C | |
| IC204 | 8-759-605-00 | IC TA7807S-LC | |
| IC205 | 8-759-094-64 | IC TA7812S-LC | |
| IC206 | 8-759-094-59 | IC TA7912S-LC | |
| IC302 | 8-752-356-03 | IC CXD2567M | |
| IC303 | 8-759-044-10 | IC CXD2562Q | |
| IC306 | 8-759-982-03 | IC RC5532DD | |
| IC307 | 8-759-982-03 | IC RC5532DD | |
| IC308 | 8-749-921-12 | IC GP1F32T (DIGITAL OUT (OPTICAL)) | |
| IC401 | 8-759-164-92 | IC uPD75516GF-468-3B9 | |
| IC402 | 8-759-512-81 | IC LH5160N-10L | |
| IC403 | 8-759-821-32 | IC CXA1291P | |
| IC901 | 8-752-341-99 | IC CXD2701Q | |
| IC902 | 8-759-508-41 | IC MS51464-10XC | |
| IC903 | 8-759-065-83 | IC M37470M4-089SP | |
| IC904 | 8-759-917-18 | IC SN74HCU04AN | |
| IC910 | 8-759-982-03 | IC RC5532DD | |
| < JACK > | | | |
| J390 | 1-569-443-21 | JACK, PIN 4P (LINE OUT) | |

| Ref. No. | Part No. | Description | Remark |
|----------------|--------------|-----------------------------|--------|
| < INDUCTOR > | | | |
| L201 | 1-410-970-11 | INDUCTOR 6.8uH (E) | |
| L331 | 1-408-403-00 | INDUCTOR 3.3uH | |
| L341-348 | | | |
| | 1-412-473-21 | INDUCTOR 0uH | |
| L904 | 1-408-403-00 | INDUCTOR 3.3uH | |
| < IC LINK > | | | |
| △PS201 | 1-532-605-00 | LINK, IC ICP-N10 0.4A (AEP) | |
| △PS202 | 1-532-605-00 | LINK, IC ICP-N10 0.4A (AEP) | |
| < TRANSISTOR > | | | |
| Q201 | 8-729-900-89 | TRANSISTOR DTC144ES | |
| Q203 | 8-729-821-73 | TRANSISTOR 2SB1274SA-RS | |
| Q204 | 8-729-900-61 | TRANSISTOR DTA114ES | |
| Q205 | 8-729-900-89 | TRANSISTOR DTC144ES | |
| Q206 | 8-729-900-89 | TRANSISTOR DTC144ES | |
| Q341 | 8-729-900-61 | TRANSISTOR DTA114ES | |
| Q342 | 8-729-900-61 | TRANSISTOR DTA114ES | |
| Q343 | 8-729-900-65 | TRANSISTOR DTA144ES | |
| Q344 | 8-729-900-89 | TRANSISTOR DTC144ES | |
| Q371 | 8-729-141-26 | TRANSISTOR 2SC3622A-LK | |
| Q372 | 8-729-141-26 | TRANSISTOR 2SC3622A-LK | |
| Q373 | 8-729-900-74 | TRANSISTOR DTC143TS | |
| Q374 | 8-729-900-74 | TRANSISTOR DTC143TS | |
| Q375 | 8-729-231-55 | TRANSISTOR 2SC2878-AB | |
| Q376 | 8-729-231-55 | TRANSISTOR 2SC2878-AB | |
| Q601 | 8-729-900-89 | TRANSISTOR DTC144ES | |
| Q602-604 | | | |
| | 8-729-900-61 | TRANSISTOR DTA114ES | |
| Q901-903 | | | |
| | 8-729-900-63 | TRANSISTOR DTA124ES | |
| Q941-943 | | | |
| | 8-729-231-55 | TRANSISTOR 2SC2878-AB | |
| Q971-973 | | | |
| | 8-729-231-55 | TRANSISTOR 2SC2878-AB | |
| < RESISTOR > | | | |
| R201 | 1-249-429-11 | CARBON 10K 5% 1/4W | |
| R202 | 1-249-417-11 | CARBON 1K 5% 1/4W | |
| R205 | 1-249-425-11 | CARBON 4.7K 5% 1/4W | |
| R208 | 1-249-423-11 | CARBON 3.3K 5% 1/4W | |
| R209 | 1-249-413-11 | CARBON 470 5% 1/4W | |
| R210 | 1-249-429-11 | CARBON 10K 5% 1/4W | |
| R211 | 1-249-410-11 | CARBON 270 5% 1/4W | |
| R212 | 1-249-439-11 | CARBON 68K 5% 1/4W | |
| R213 | 1-249-423-11 | CARBON 3.3K 5% 1/4W | |
| R214 | 1-249-417-11 | CARBON 1K 5% 1/4W | |
| R220 | 1-249-417-11 | CARBON 1K 5% 1/4W | |

The components identified by mark △ or dotted line with mark △ are critical for safety. Replace only with part number specified.

Les composants identifiés par une marque △ sont critiques pour la sécurité. Ne les remplacer que par une pièce portant le numéro spécifié.

MAIN

| Ref. No. | Part No. | Description | Remark | | |
|----------|--------------|--------------------|--------|----|------|
| R301-303 | 1-249-417-11 | CARBON | 1K | 5% | 1/4W |
| R321-324 | 1-249-417-11 | CARBON | 1K | 5% | 1/4W |
| R330 | 1-249-417-11 | CARBON | 1K | 5% | 1/4W |
| R331 | 1-249-409-11 | CARBON | 220 | 5% | 1/4W |
| R332 | 1-247-887-00 | CARBON | 220K | 5% | 1/4W |
| R342 | 1-249-416-11 | CARBON | 820 | 5% | 1/4W |
| R343 | 1-249-441-11 | CARBON | 100K | 5% | 1/4W |
| R344 | 1-249-441-11 | CARBON | 100K | 5% | 1/4W |
| R345 | 1-249-425-11 | CARBON | 4.7K | 5% | 1/4W |
| R346 | 1-249-425-11 | CARBON | 4.7K | 5% | 1/4W |
| R347 | 1-249-441-11 | CARBON | 100K | 5% | 1/4W |
| R349 | 1-249-416-11 | CARBON | 820 | 5% | 1/4W |
| R351-358 | 1-215-459-00 | METAL | 39K | 1% | 1/6W |
| R359 | 1-247-848-11 | CARBON | 5.1K | 5% | 1/4W |
| R361-364 | 1-215-453-00 | METAL | 22K | 1% | 1/6W |
| R365-368 | 1-215-462-00 | METAL | 51K | 1% | 1/6W |
| R369-372 | 1-249-419-11 | CARBON | 1.5K | 5% | 1/4W |
| R373 | 1-247-891-00 | CARBON | 330K | 5% | 1/4W |
| R374 | 1-247-891-00 | CARBON | 330K | 5% | 1/4W |
| R375-378 | 1-249-409-11 | CARBON | 220 | 5% | 1/4W |
| R379 | 1-249-421-11 | CARBON | 2.2K | 5% | 1/4W |
| R380 | 1-249-421-11 | CARBON | 2.2K | 5% | 1/4W |
| R383 | 1-249-413-11 | CARBON | 470 | 5% | 1/4W |
| R384 | 1-249-413-11 | CARBON | 470 | 5% | 1/4W |
| R385 | 1-249-393-11 | CARBON | 10 | 5% | 1/4W |
| R386 | 1-249-393-11 | CARBON | 10 | 5% | 1/4W |
| R389 | 1-249-413-11 | CARBON | 470 | 5% | 1/4W |
| R390 | 1-249-413-11 | CARBON | 470 | 5% | 1/4W |
| R401 | 1-249-411-11 | CARBON | 330 | 5% | 1/4W |
| R402 | 1-249-399-11 | CARBON | 33 | 5% | 1/4W |
| R403 | 1-249-417-11 | CARBON | 1K | 5% | 1/4W |
| R409 | 1-247-881-00 | CARBON (C701ES) | 120K | 5% | 1/4W |
| R409 | 1-247-882-11 | CARBON (C801ES) | 130K | 5% | 1/4W |
| R410 | 1-247-881-00 | CARBON (C701ES) | 120K | 5% | 1/4W |
| R410 | 1-247-882-11 | CARBON (C801ES) | 130K | 5% | 1/4W |
| R411 | 1-247-880-11 | CARBON (C801ES) | 110K | 5% | 1/4W |
| R411 | 1-249-441-11 | CARBON (C701ES) | 100K | 5% | 1/4W |

| Ref. No. | Part No. | Description | Remark | | |
|----------|--------------|--------------------|--------|----|------|
| R412 | 1-247-878-00 | CARBON (C701ES) | 91K | 5% | 1/4W |
| R412 | 1-249-441-11 | CARBON (C801ES) | 100K | 5% | 1/4W |
| R413 | 1-247-881-00 | CARBON | 120K | 5% | 1/4W |
| R414 | 1-247-881-00 | CARBON | 120K | 5% | 1/4W |
| R415 | 1-247-876-11 | CARBON (C801ES) | 75K | 5% | 1/4W |
| R415 | 1-249-439-11 | CARBON (C701ES) | 68K | 5% | 1/4W |
| R416 | 1-247-876-11 | CARBON (C801ES) | 75K | 5% | 1/4W |
| R416 | 1-249-439-11 | CARBON (C701ES) | 68K | 5% | 1/4W |
| R417 | 1-247-878-00 | CARBON | 91K | 5% | 1/4W |
| R418 | 1-247-878-00 | CARBON | 91K | 5% | 1/4W |
| R419 | 1-249-440-11 | CARBON | 82K | 5% | 1/4W |
| R420 | 1-249-440-11 | CARBON | 82K | 5% | 1/4W |
| R421-423 | 1-249-393-11 | CARBON | 10 | 5% | 1/4W |
| R450-454 | 1-249-429-11 | CARBON | 10K | 5% | 1/4W |
| R456-465 | 1-249-429-11 | CARBON | 10K | 5% | 1/4W |
| R470-472 | 1-249-417-11 | CARBON | 1K | 5% | 1/4W |
| R473 | 1-249-429-11 | CARBON (C801ES) | 10K | 5% | 1/4W |
| R490-493 | 1-249-429-11 | CARBON | 10K | 5% | 1/4W |
| R601 | 1-249-429-11 | CARBON | 10K | 5% | 1/4W |
| R602 | 1-249-429-11 | CARBON | 10K | 5% | 1/4W |
| R603 | 1-249-393-11 | CARBON | 10 | 5% | 1/4W |
| R901-903 | 1-249-417-11 | CARBON | 1K | 5% | 1/4W |
| R904 | 1-249-405-11 | CARBON | 100 | 5% | 1/4W |
| R905-907 | 1-249-417-11 | CARBON | 1K | 5% | 1/4W |
| R910 | 1-249-429-11 | CARBON | 10K | 5% | 1/4W |
| R915-917 | 1-249-441-11 | CARBON | 100K | 5% | 1/4W |
| R924 | 1-249-417-11 | CARBON | 1K | 5% | 1/4W |
| R925 | 1-249-417-11 | CARBON | 1K | 5% | 1/4W |
| R941 | 1-249-419-11 | CARBON | 1.5K | 5% | 1/4W |
| R943 | 1-215-469-00 | METAL | 100K | 1% | 1/6W |
| R945-947 | 1-249-425-11 | CARBON | 4.7K | 5% | 1/4W |
| R948 | 1-249-421-11 | CARBON | 2.2K | 5% | 1/4W |
| R949 | 1-249-422-11 | CARBON | 2.7K | 5% | 1/4W |
| R950 | 1-247-836-11 | CARBON | 1.6K | 5% | 1/4W |
| R951 | 1-247-828-11 | CARBON | 750 | 5% | 1/4W |

MAIN

OPEN/UP SW

P. SW

TABLE MOTOR

TIMER

TRANSFORMER

| Ref.No. | Part No. | Description | Remark |
|---------------|--------------|------------------------------|------------------|
| R952 | 1-247-832-11 | CARBON | 1.1K 5% 1/4W |
| R953 | 1-249-410-11 | CARBON | 270 5% 1/4W |
| R971 | 1-249-419-11 | CARBON | 1.5K 5% 1/4W |
| R973 | 1-215-469-00 | METAL | 100K 1% 1/6W |
| R975-977 | | | |
| | 1-249-425-11 | CARBON | 4.7K 5% 1/4W |
| R978 | 1-249-421-11 | CARBON | 2.2K 5% 1/4W |
| R979 | 1-249-422-11 | CARBON | 2.7K 5% 1/4W |
| R980 | 1-247-836-11 | CARBON | 1.6K 5% 1/4W |
| R981 | 1-247-828-11 | CARBON | 750 5% 1/4W |
| R982 | 1-247-832-11 | CARBON | 1.1K 5% 1/4W |
| R983 | 1-249-410-11 | CARBON | 270 5% 1/4W |
| < VIBRATOR > | | | |
| X351 | 1-579-161-11 | VIBRATOR, CRYSTAL (45MHz) | |
| X401 | 1-577-359-21 | VIBRATOR, CERAMIC (4.19MHz) | |
| X901 | 1-577-358-21 | VIBRATOR, CERAMIC (4MHz) | |
| ***** | | | |
| * | 1-638-731-11 | OPEN/UP SW BOARD | ***** |
| < CONNECTOR > | | | |
| CN705 | 1-573-383-11 | PIN, CONNECTOR (PC BOARD) 2P | |
| < SWITCH > | | | |
| S702 | 1-571-300-21 | SWITCH, ROTARY (OPEN/CLOSE) | |
| ***** | | | |
| * | 1-647-347-11 | P. SW BOARD | ***** |
| < CONNECTOR > | | | |
| CN852 | 1-750-186-11 | CONNECTOR, BOARD TO BOARD 6P | |
| < SWITCH > | | | |
| S852 | 1-572-714-11 | SWITCH, PUSH (POWER) | |
| ***** | | | |
| * | 1-638-729-11 | TABLE MOTOR BOARD | ***** |
| < CAPACITOR > | | | |
| C704 | 1-161-375-00 | CERAMIC | 0.0022uF 20% 50V |
| < CONNECTOR > | | | |
| * CN707 | 1-573-044-11 | SOCKET, CONNECTOR 5P | |

| Ref.No. | Part No. | Description | Remark |
|---------------|--------------|---|----------------|
| < DIODE > | | | |
| D701 | 8-719-970-19 | DIODE GP1A521 | |
| < RESISTOR > | | | |
| R701 | 1-249-416-11 | CARBON | 820 5% 1/4W |
| ***** | | | |
| * | 1-647-348-11 | TIMER BOARD | ***** |
| S851 | 1-570-157-51 | SWITCH, SLIDE (TIMER) | |
| ***** | | | |
| * | 1-647-342-11 | TRANSFORMER BOARD | ***** |
| < CAPACITOR > | | | |
| C203 | 1-124-887-00 | ELECT | 3300uF 20% 16V |
| C204 | 1-124-887-00 | ELECT | 3300uF 20% 16V |
| C216 | 1-124-962-11 | ELECT | 2200uF 20% 25V |
| (EXCEPT E) | | | |
| C217 | 1-124-962-11 | ELECT | 2200uF 20% 25V |
| (EXCEPT E) | | | |
| C221 | 1-164-159-11 | CERAMIC | 0.1uF 50V |
| C222 | 1-164-159-11 | CERAMIC | 0.1uF 50V |
| (EXCEPT E) | | | |
| < CONNECTOR > | | | |
| * CN201 | 1-580-230-11 | PIN, CONNECTOR (PC BOARD) 3P | |
| * CN202 | 1-564-506-11 | PLUG, CONNECTOR 3P (EXCEPT E) | |
| * CN204 | 1-564-510-11 | PLUG, CONNECTOR 7P (EXCEPT E) | |
| * CN204 | 1-564-513-11 | PLUG, CONNECTOR 10P (E) | |
| CN206 | 1-696-980-11 | LEAD (WITH CONNECTOR) (EXCEPT E) | |
| CN207 | 1-564-321-00 | PIN, CONNECTOR 2P (EXCEPT E) | |
| < DIODE > | | | |
| D203 | 8-719-200-82 | DIODE 11ES2 | |
| D204 | 8-719-200-82 | DIODE 11ES2 | |
| D205 | 8-719-200-82 | DIODE 11ES2 | |
| D206 | 8-719-200-82 | DIODE 11ES2 | |
| D211 | 8-719-200-82 | DIODE 11ES2 (EXCEPT E) | |
| D212 | 8-719-200-82 | DIODE 11ES2 (EXCEPT E) | |
| D213 | 8-719-200-82 | DIODE 11ES2 (EXCEPT E) | |
| D214 | 8-719-200-82 | DIODE 11ES2 (EXCEPT E) | |
| < SWITCH > | | | |
| △S201 | 1-572-675-11 | SWITCH, POWER VOLTAGE CHANGE (VOLTAGE SELECTOR) (E) | |
| ***** | | | |

| | |
|---|--|
| The components identified by mark △ or dotted line with mark. △ are critical for safety. Replace only with part number specified. | Les composants identifiés par une marque △ sont critiques pour la sécurité. Ne les remplacer que par une pièce portant le numéro spécifié. |
|---|--|

CDP-C701ES/C801ES

| Ref. No. | Part No. | Description | Remark |
|------------------------|--------------|--------------------------------------|--------|
| MISCELLANEOUS ***** | | | |
| △16 | 1-559-583-21 | CORD, POWER (US, Canadian) | |
| △60 | 1-558-568-21 | CORD, POWER (AEP) | |
| △61 | 1-558-181-21 | CORD, POWER (E) | |
| △62 | 1-569-007-11 | ADAPTER, CONVERSION 2P (E) | |
| △63 | 1-559-583-21 | CORD, POWER (US, Canadian) | |
| 113 | 1-751-045-11 | WIRE (FLAT TYPE) (14 CORE) | |
| 114 | 1-751-044-11 | WIRE (FLAT TYPE) (15 CORE) | |
| 117 | 1-751-046-11 | WIRE (FLAT TYPE) (17 CORE) | |
| 168 | 1-537-501-11 | JUMPER, FILM (WITH TERMINAL) | |
| * 206 | 1-452-538-11 | MAGNET | |
| 215 | 1-590-849-11 | WIRE, FLAT TYPE (5 CORE) | |
| △256 | 8-848-144-11 | DEVICE, OPTICAL KSS-240A | |
| 257 | 1-575-001-11 | WIRE, FLAT TYPE (12 CORE) | |
| M101 | X-4917-504-1 | MOTOR ASSY, SLED | |
| M102 | X-4917-523-3 | MOTOR ASSY, SPINDLE | |
| M701 | A-4604-585-A | MOTOR ASSY, ROTARY | |
| M702 | A-4604-871-A | MOTOR ASSY, LOADING | |
| S701 | 1-572-713-11 | SWITCH, PUSH (WITH CONNECTOR) (DOWN) | |
| △T201 | 1-423-508-11 | TRANSFORMER, POWER (US, Canadian) | |
| △T201 | 1-423-509-11 | TRANSFORMER, POWER (AEP) | |
| △T201 | 1-423-510-11 | TRANSFORMER, POWER (E) | |
| △T202 | 1-423-506-11 | TRANSFORMER, POWER (US, Canadian) | |
| △T202 | 1-423-507-11 | TRANSFORMER, POWER (AEP) | |

ACCESSORIES & PACKING MATERIALS

| | | | |
|---|--------------|--|--|
| | 1-466-995-11 | REMOTE COMMANDER (RM-D801) | |
| | 1-558-271-11 | CORD, CONNECTION | |
| | 1-590-925-31 | CORD, CONNECTION | |
| | 3-704-366-01 | SCREW (CASE) (M3X8) | |
| | 3-707-584-01 | COVER, BATTERY | |
| | 3-756-499-11 | MANUAL, INSTRUCTION (ENGLISH, FRENCH, SPANISH, CHINESE) (Canadian, AEP, E) | |
| | 3-756-499-21 | MANUAL, INSTRUCTION (ENGLISH) (US) | |
| | 3-756-499-41 | MANUAL, INSTRUCTION (GERMAN, DUTCH, ITALIAN, PORTUGUESE) (AEP) | |
| * | 4-934-320-01 | CUSHION (FRONT) | |
| * | 4-934-321-01 | CUSHION (REAR) | |
| | 4-945-435-01 | SCREW (TRANSPORT LOCK) (C801ES) | |
| * | 4-958-481-01 | INDIVIDUAL CARTON (C701ES) | |
| * | 4-958-482-01 | INDIVIDUAL CARTON (C801ES) | |

| Ref. No. | Part No. | Description | Remark |
|---------------------------------|--------------|-------------------------------------|--------|
| ***** HARDWARE LIST ***** | | | |
| #1 | 7-682-247-09 | SCREW +K 3X6 | |
| #2 | 7-685-648-79 | SCREW +BVTP 3X12 TYPE2 N-S | |
| #3 | 7-685-870-01 | SCREW +BVTT 3X5 (S) | |
| #4 | 7-682-547-09 | SCREW +BV 3X6, S TIGHT | |
| #5 | 7-685-647-79 | SCREW +BVTP 3X10 TYPE2 N-S | |
| #6 | 7-685-646-79 | SCREW +BVTP 3X8 TYPE2 N-S | |
| #7 | 7-685-134-19 | SCREW +P 2.6X8 TYPE2 NON-SLIT | |
| #8 | 7-685-136-19 | SCREW +P 2.6X12 TYPE2 NON-SLIT | |
| #9 | 7-685-666-79 | SCREW +BVTP 4X30 TYPE2 N-S (C801ES) | |
| #10 | 7-682-554-04 | SCREW +B 3X25 | |
| #11 | 7-682-549-04 | SCREW +BVTT 3X10 (S) | |
| #12 | 7-682-961-01 | SCREW +PSW 4X8 | |
| #13 | 7-621-255-15 | SCREW +P 2X3 | |
| #14 | 7-685-872-01 | SCREW +BVTT 3X8 (S) | |

The components identified by mark △ or dotted line with mark △ are critical for safety. Replace only with part number specified.

Les composants identifiés par une marque △ sont critiques pour la sécurité. Ne les remplacer que par une pièce portant le numéro spécifié.

CDP-C701ES/C801ES

SONY SERVICE MANUAL

US Model
CDP-C701ES/C801ES

Canadian Model
AEP Model
E Model
CDP-C701ES

SUPPLEMENT-1

File this supplement with the service manual.

Subject : US model disuse the side panel.

• Difference Parts

| Page | Ref.No. | Part No. | Description |
|------|---------|----------------|---------------------------------|
| 31 | 3 | 3-704-366-01 | SCREW (CASE) (M3×8) |
| 32 | 53 | 3-704-366-01 | SCREW (CASE) (M3×8) |
| 44 | — | * 4-964-909-01 | INDIVIDUAL CARTON (C701ES : US) |
| | — | * 4-964-911-01 | INDIVIDUAL CARTON (C801ES) |