

CDP-C90ES / C910

SERVICE MANUAL

US Model
Canadian Model
CDP-C90ES

US Model
Canadian Model
AEP Model
E Model
Australian Model
CDP-C910



Photo : CDP-C90ES

Model Name Using Similar Mechanism	New Mechanism
CD Mechanism Name	CDM10-5BD7
Base Unit Name	BU-5BD7

SPECIFICATIONS

Compact Disc Player

Frequency response 2 Hz - 20 kHz (± 0.3 dB)
Signal to noise ratio More than 110 dB
Dynamic range More than 100 dB
Harmonic distortion Less than 0.0030%
Channel separation More than 105 dB

Outputs

LINE OUT (FIXED) (phono jacks) Output level 2 V (at 50 kilohms)
Load impedance over 10 kilohms
LINE OUT (VARIABLE) (phono jacks) Output level max 2 V (at 50 kilohms)
Load impedance over 10 kilohms
DIGITAL OUTPUT (OPTICAL) (optical output connector) Wave length 660 nm
Output level -18 dBm
HEADPHONES (stereo phone jack) Output level max. 15 mW
Load impedance 32 ohms

General

Power requirements

US, Canadian model : AC120V, 60Hz
AEP model : 220-230V AC, 50/60Hz
E model : 110-120V or 220-240V AC
adjustable 50/60Hz
Australian model : AC240V, 50Hz/60Hz

Power consumption

CDP-C910(US, Australian) model,
CDP-C90ES(US, Canadian) model : 18W
CDP-C910(Canadian, AEP, E,
Australian) model : 15W

Dimensions (w/h/d)

CDP-C910 model : Approx. 430 × 125 × 385mm
(17 × 5 × 15¹/₄ inches)

CDP-C90ES model : Approx. 470 × 125 × 385mm
(18⁵/₈ × 5 × 15¹/₄ inches)

Including projecting parts and controls

Weight

CDP-C910 model : Approx. 6.3kg(13lbs 15oz),net
CDP-C90ES model : Approx. 7.4kg(16lbs 6oz),net

Supplied Accessories

Connecting cord
(2 phono plugs ↔ 2 phono plugs) (1)
Disc magazine (1)
Remote commander (1)
Size AA batteries (2)

Design and specifications subject to change without notice.

COMPACT DISK PLAYER
SONY®



使用時は添付資料も参照のこと
Refer to the additional documents.

SAFETY CHECK-OUT

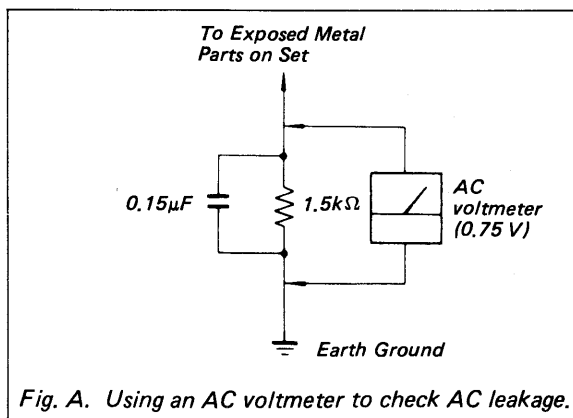
After correcting the original service problem, perform the following safety check before releasing the set to the customer:

Check the antenna terminals, metal trim, "metallized" knobs, screws, and all other exposed metal parts for AC leakage. Check leakage as described below.

LEAKAGE TEST

The AC leakage from any exposed metal part to earth ground and from all exposed metal parts to any exposed metal part having a return to chassis, must not exceed 0.5 mA (500 microamperes). Leakage current can be measured by any one of three methods.

1. A commercial leakage tester, such as the Simpson 229 or RCA WT-540A. Follow the manufacturers' instructions to use these instruments.
2. A battery-operated AC milliammeter. The Data Precision 245 digital multimeter is suitable for this job.
3. Measuring the voltage drop across a resistor by means of a VOM or battery-operated AC voltmeter. The "limit" indication is 0.75 V, so analog meters must have an accurate low-voltage scale. The Simpson 250 and Sanwa SH-63Trd are examples of a passive VOM that is suitable. Nearly all battery operated digital multimeters that have a 2 V AC range are suitable. (See Fig. A)



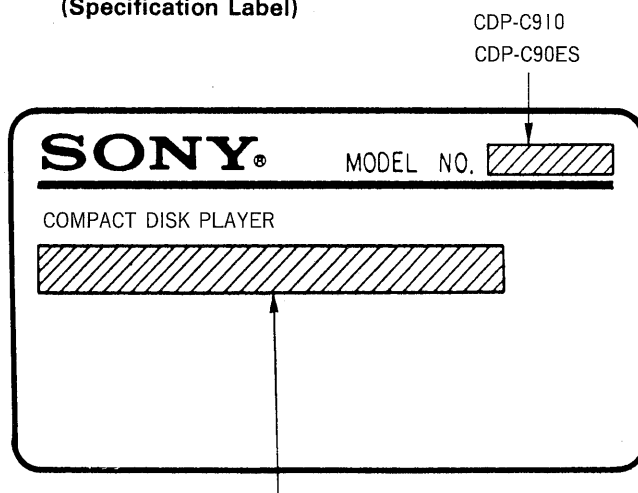
SAFETY-RELATED COMPONENT WARNING!!
 COMPONENTS IDENTIFIED BY MARK OR DOTTED LINE WITH MARK ON THE SCHEMATIC DIAGRAMS AND IN THE PARTS LIST ARE CRITICAL TO SAFE OPERATION. REPLACE THESE COMPONENTS WITH SONY PARTS WHOSE PART NUMBERS APPEAR AS SHOWN IN THIS MANUAL OR IN SUPPLEMENTS PUBLISHED BY SONY.

TABLE OF CONTENTS

<i>Section</i>	<i>Title</i>	<i>Page</i>
SECTION 1.	GENERAL	3
SECTION 2.	SWITCH AND SENSOR OPERATIONS	4
SECTION 3.	MECHANICAL ADJUSTMENTS	5
SECTION 4.	ELECTRICAL BLOCK CHECKING	7
SECTION 5.	DIAGRAMS	
5-1.	Printed Wiring Boards	9
5-2.	Schematic Diagram — MAIN Section —	13
5-3.	Schematic Diagram — BD Section —	18
5-4.	WAVEFORMS	23
SECTION 6.	EXPLODED VIEWS	
6-1.	Front Panel Assembly Section	24
6-2.	Chassis Assembly Section	25
6-3.	MD Section-1	26
6-4.	MD Section-2	27
6-5.	Optical Pick-Up Block Section	28
SECTION 7.	ELECTRICAL PARTS LIST	29

MODEL IDENTIFICATION

(Specification Label)



US, Canadian model: AC: 120V 60Hz 15W
 AEP model: AC: 220-230V~50/60Hz
 E model: AC: 110-120V, 220-230V~50/60Hz 15W
 Australian model: AC: 240V~50/60Hz

ATTENTION AU COMPOSANT AYANT RAPPORT À LA SÉCURITÉ!

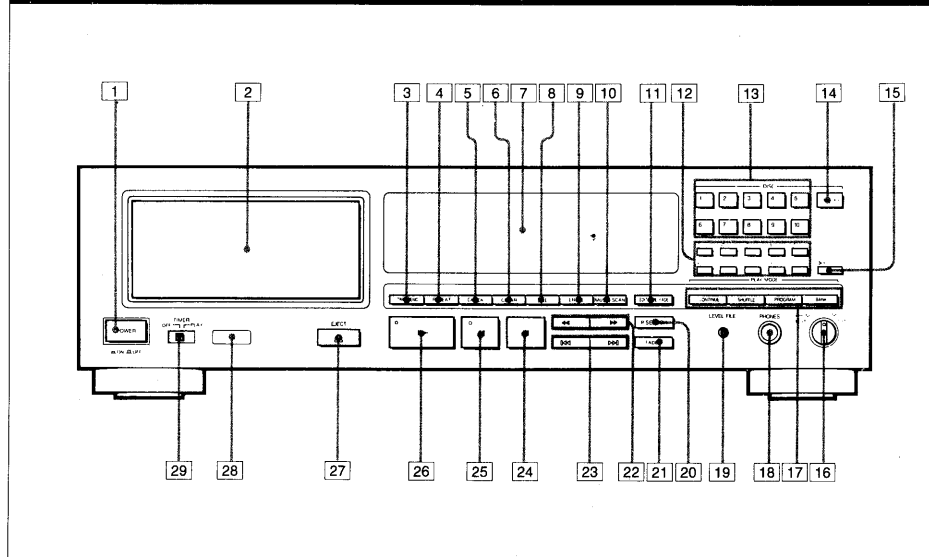
LES COMPOSANTS IDENTIFIÉS PAR UNE MARQUE SUR LES DIAGRAMMES SCHÉMATIQUES ET LA LISTE DES PIÈCES SONT CRITIQUES POUR LA SÉCURITÉ DE FONCTIONNEMENT. NE REMPLACER CES COMPOSANTS QUE PAR DES PIÈCES SONY DONT LES NUMÉROS SONT DONNÉS DANS CE MANUEL OU DANS LES SUPPLÉMENTS PUBLIÉS PAR SONY.

This section is extracted from instruction manual.

SECTION 1 GENERAL

Location of Controls

Front Panel

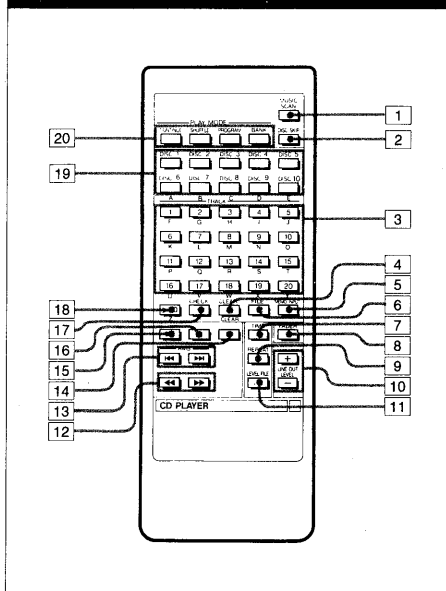


Refer to the pages indicated in ● for details.

- | | |
|--|---|
| <ul style="list-style-type: none"> 1 POWER switch ● 2 Magazine slot ● 3 TIME/MEMO button ● 4 REPEAT button ● 5 CHECK (program check) button ● 6 CLEAR (program clear) button ● 7 Display window ● 8 FILE button ● 9 ERASE button ● 10 MUSIC SCAN button ● 11 EDIT/TIME FADE button ● 12 Track buttons ● 13 DISC selectors ● 14 DISC SKIP button ● 15 > 10 (over 10) button ● | <ul style="list-style-type: none"> 16 PHONE LEVEL/LINE OUT LEVEL control ● 17 PLAY MODE buttons
CONTINUE button ●
SHUFFLE button ●
PROGRAM button ●
BANK button ● 18 HEADPHONES jack 19 LEVEL FILE button ● 20 P(peak).SEARCH button ● 21 FADER button ● 22 ◀▶▶▶ (manual search) buttons ● 23 ◀▶▶▶ (AMS*) buttons ● 24 ■ (stop) button ● 25 (pause) button/indicator ● 26 ▶ (play) button/indicator ● 27 ▲ EJECT button ● 28 Remote sensor 29 TIMER switch ● |
|--|---|

* AMS is the abbreviation of Automatic Music Sensor.

Remote Commander

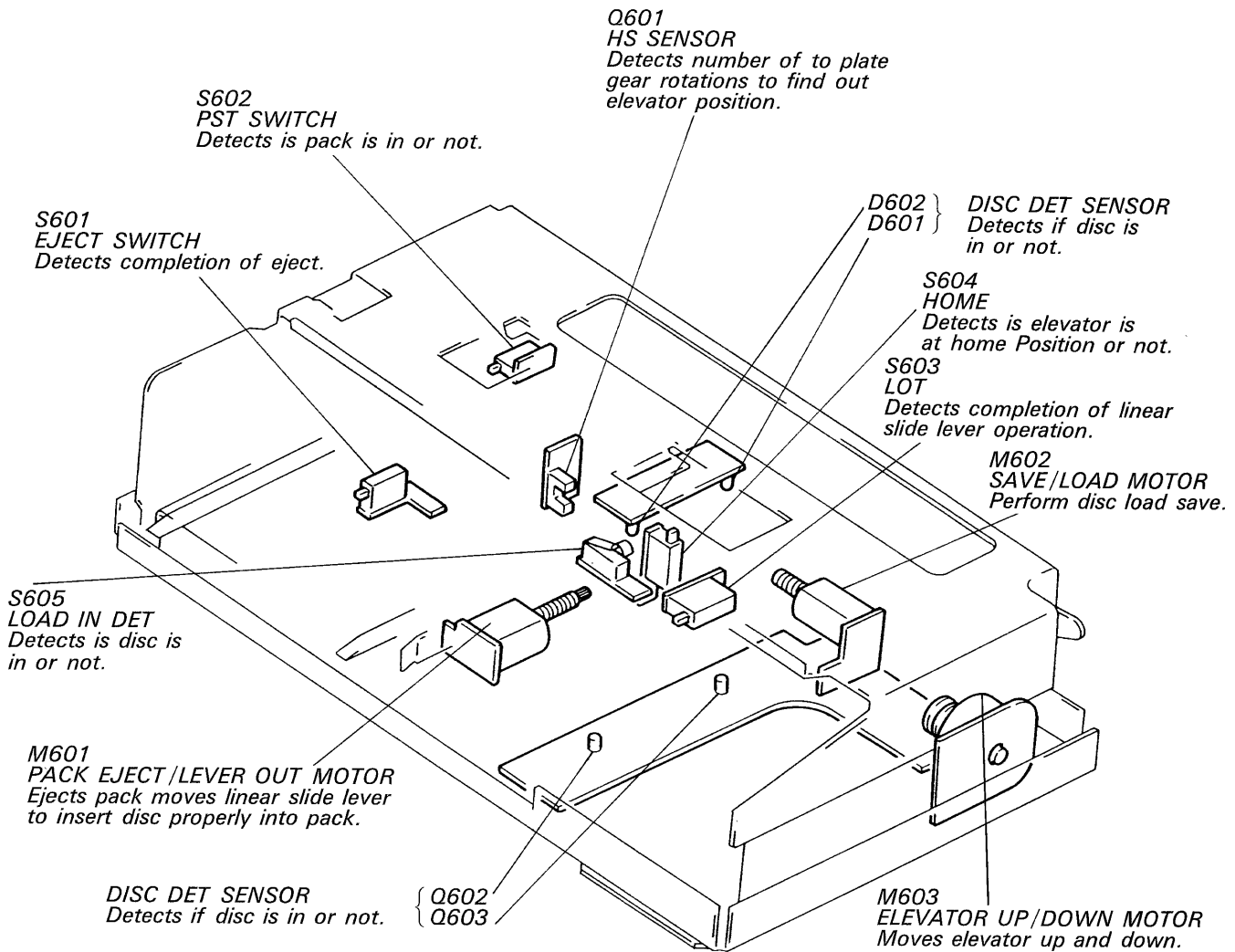


Refer to the pages indicated in ● for details.

- 1 MUSIC SCAN button ●
- 2 DISC SKIP button ●
- 3 Track buttons ●
- 4 CLEAR (program clear) button ●
- 5 MEMO INPUT button ●
- 6 FILE button ●
- 7 TIME button ●
- 8 FADER button ●
- 9 REPEAT button ●
- 10 LINE OUT LEVEL buttons ●
- 11 LEVEL FILE button ●
- 12 ◀▶▶▶ (manual search) buttons ●
- 13 ◀▶▶▶ (AMS) buttons ●
- 14 ■ (stop) button ●
- 15 ▶ (play) button ●
- 16 || (pause) button ●
- 17 CHECK (program check) button ●
- 18 > 20 (over 20) button ●
- 19 DISC selectors ●
- 20 PLAY MODE buttons
CONTINUE button ●
SHUFFLE button ●
PROGRAM button ●
BANK button ●

Buttons with yellow letters (A, B, C,) are for writing a disc memo (page 22).

SECTION 2 SWITCH AND SENSOR OPERATIONS

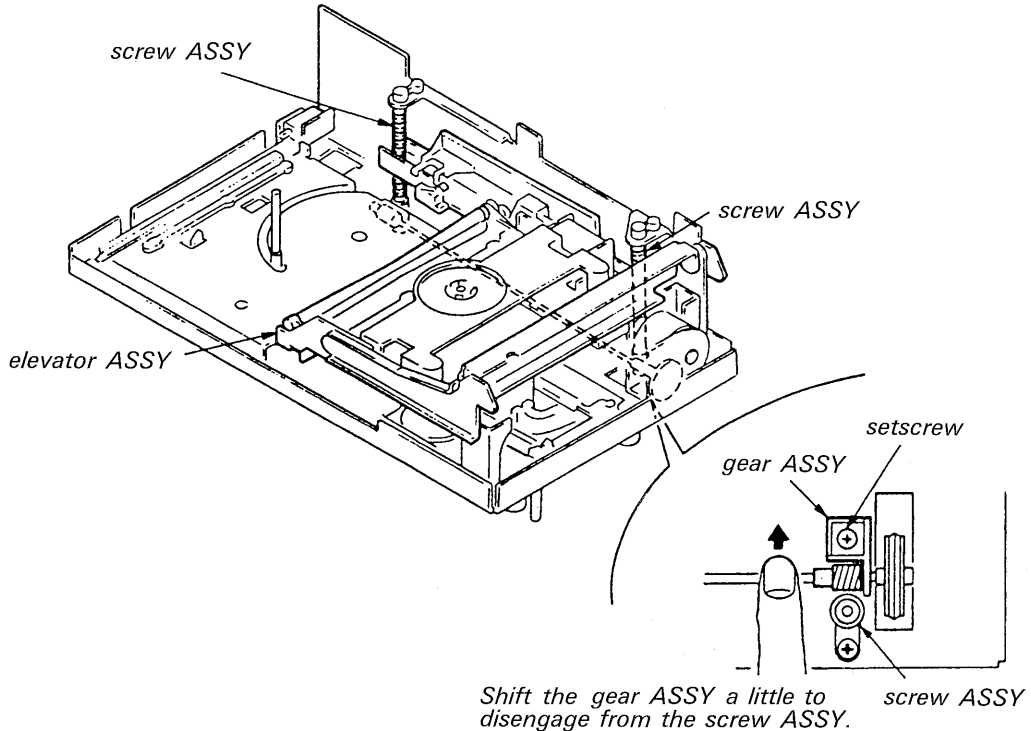


SECTION 3 MECHANICAL ADJUSTMENTS

LEVELING OF ELEVATOR ASSY

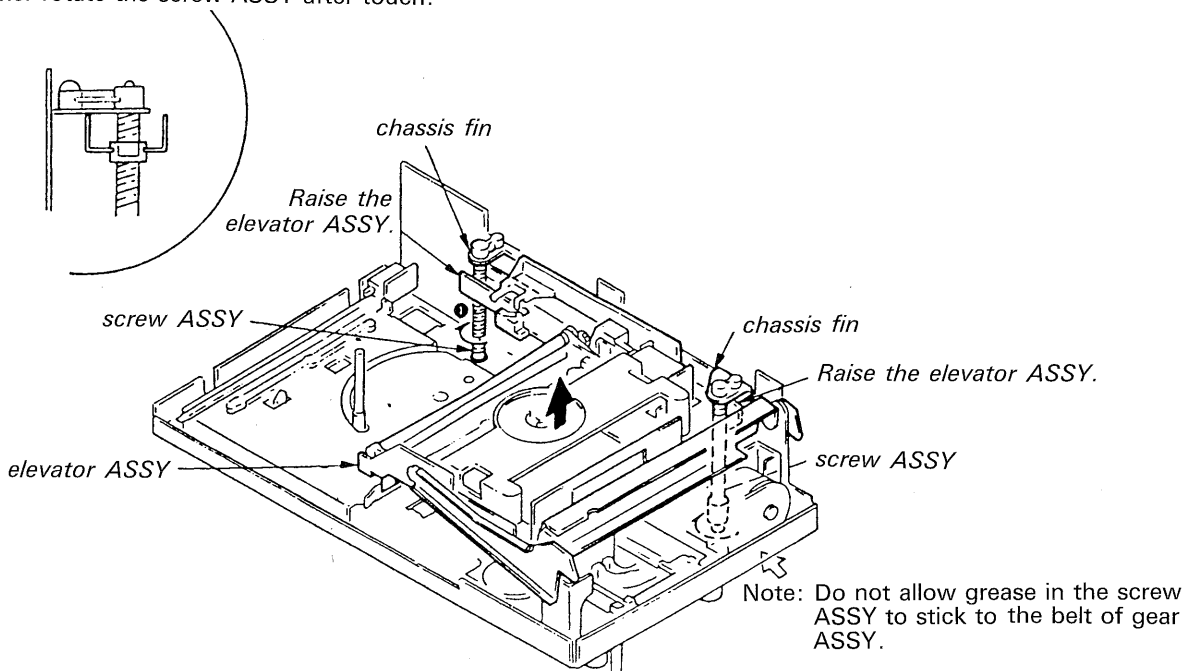
Adjusting Method:

1. Loosen a setscrew on the gear ASSY to free the screw ASSY on both sides.



2. Rotating the screw ASSY on both side in arrow ① direction, raise the elevator ASSY while keeping it level until the elevator rise-up portion touches the chassis fin, then tighten a setscrews on the gear ASSY. (See "Leveling of Elevator ASSY".)

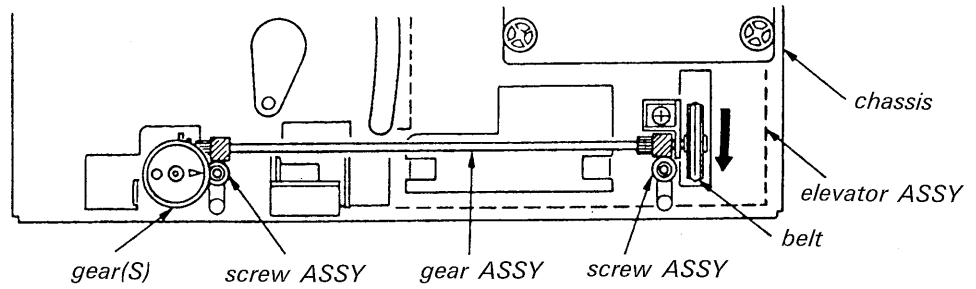
Note: Do not further rotate the screw ASSY after touch.



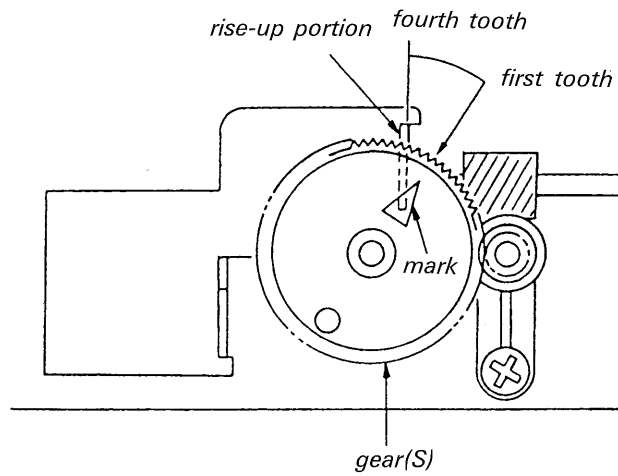
ADJUSTMENT OF ELEVATOR ASSY HEIGHT

Adjusting Method:

1. Rotating the belt of gear ASSY in the arrow direction, raise the elevator ASSY until it touches the chassis.



2. Assuming that the marked tooth on gear(S) is the first tooth, align the fourth tooth with chassis rise-up portion, and fix.

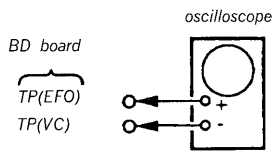


SECTION 4 ELECTRICAL BLOCK CHECKING

Note:

- i. CD Block basically constructed to operate without adjustment. Therefore, check each item in order given.
2. Use YEDS-18 disc (3-702-101-01) unless otherwise indicated.
3. Use the oscilloscope with more than 10MΩ impedance.
4. Clean an object lens by an applicator with neutral detergent when the signal level is low than specified value with the following checks.

S Curve Check

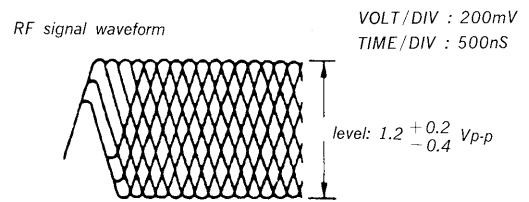


Procedure:

1. Connect oscilloscope to test point TP(RF) on BD board.
2. Turn Power switch on.
3. Put disc(YEDS-18) in and playback.
4. Confirm that oscilloscope waveform is clear and check RF signal level is correct or not.

Note:

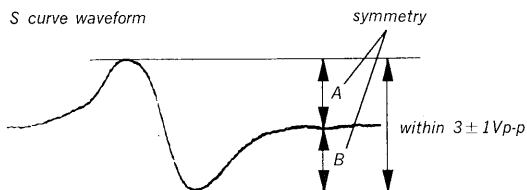
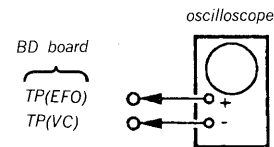
Clear RF signal waveform means that the shape "◇" can be clearly distinguished at the center of the waveform.



Procedure:

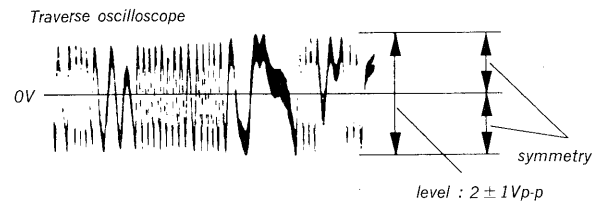
1. Connect oscilloscope to test point TP(FEO) on BD board.
2. Connect between test point TP(FES) and TP(VC) by lead wire.
3. Turned Power switch on and actuate the focus search.(actuate the focus search when disc table is moving in and out.)
4. Check the oscilloscope waveform(S curve) is symmetrical between A and B. And confirm peak to peak level within $3 \pm 1Vp-p$.

E-F Balance Check



Procedure:

1. Connect test point TP(ADJ) to ground and TP(TES) to TP(VC) with lead wire.
2. Connect oscilloscope to test point TP(TEO) on BD board.

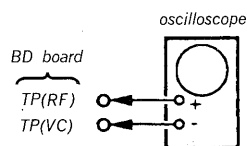


5. After check, remove the lead wire connected in step 2.

Note :

- Try to measure several times to make sure that the ratio of A:B or B:A is more than 10:7.
- Take sweep time as long as possible and light up the brightness to obtain best waveform.

RF Level Check

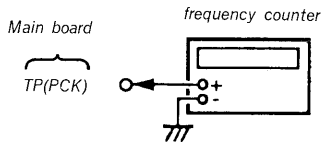


3. Turn Power switch on.
4. Put disc(YEDS-18) in and playback.
5. Confirm that the oscilloscope waveform is symmetrical on the top and bottom in relation to 1V, and check this level.
6. Remove the lead wire connected in step 1.

RF PLL Free-run Frequency Check

Procedure:

1. Connect frequency counter to test point(PCK) with lead wire.

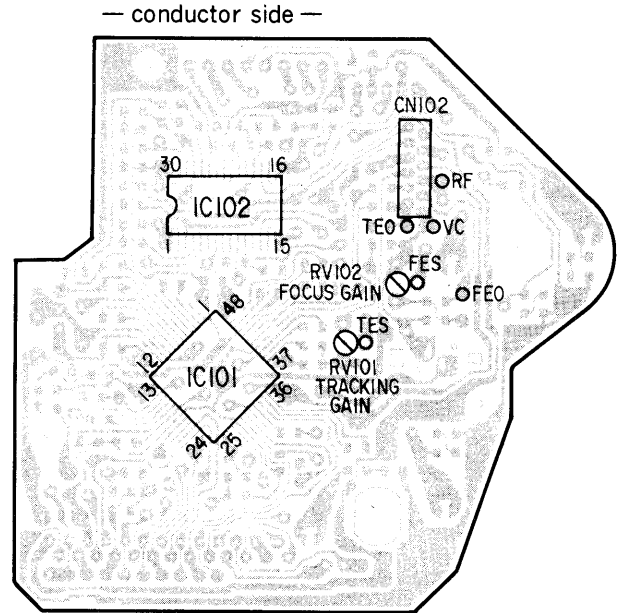


2. Turn Power switch on.
3. Confirm that reading on frequency counter is 4.3218MHz.

Focus/Tracking Gain

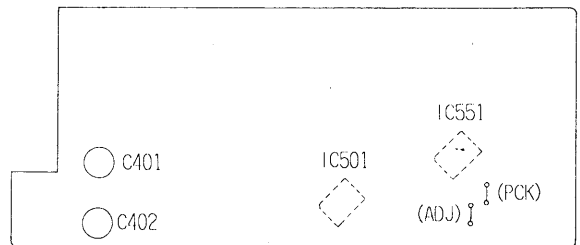
This gain has a margin, so even if it is slightly off. There is no problem. Therefore, do not perform, this adjustment. Please note that it should be fixed to mechanical center position when you moved and do not know original position.

Adjustment Locations : [BD board]



[Main board]

— component side —

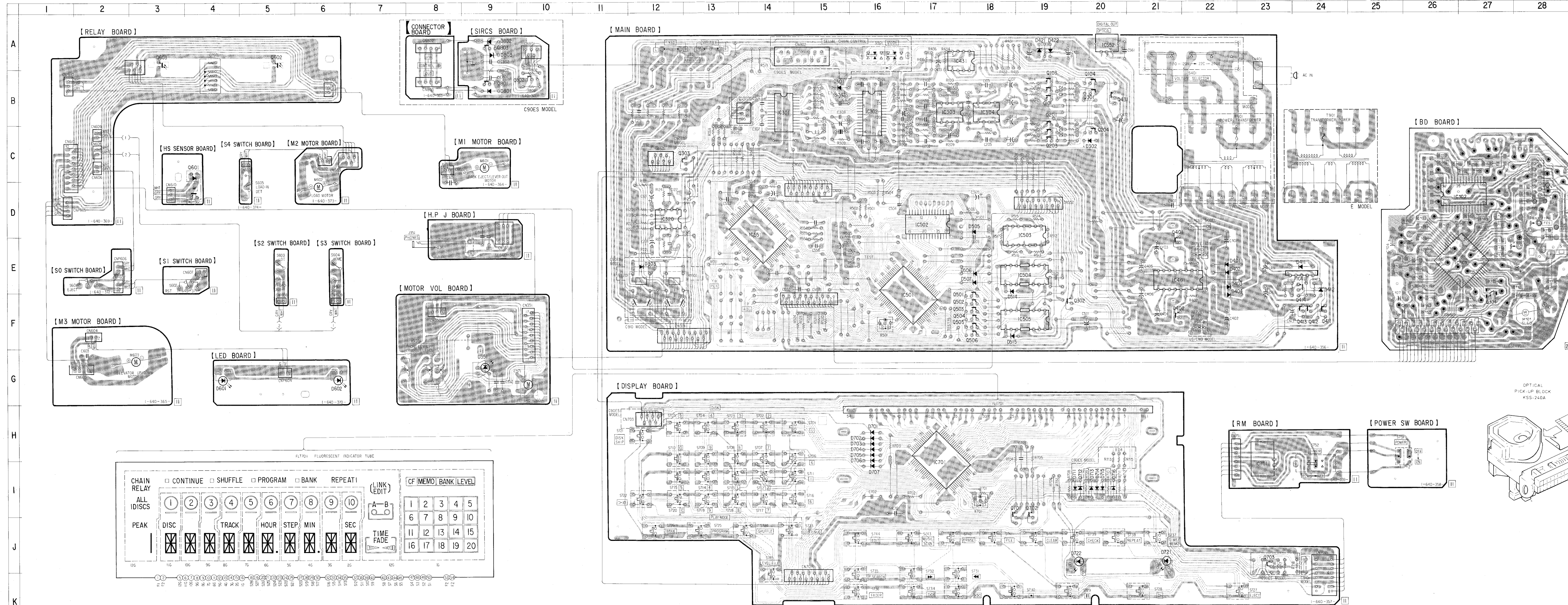


SECTION 5 DIAGRAMS

5-1. PRINTED WIRING BOARDS • Refer to page 20,21 for Circuit Boards Location and Semiconductor Lead Layouts.

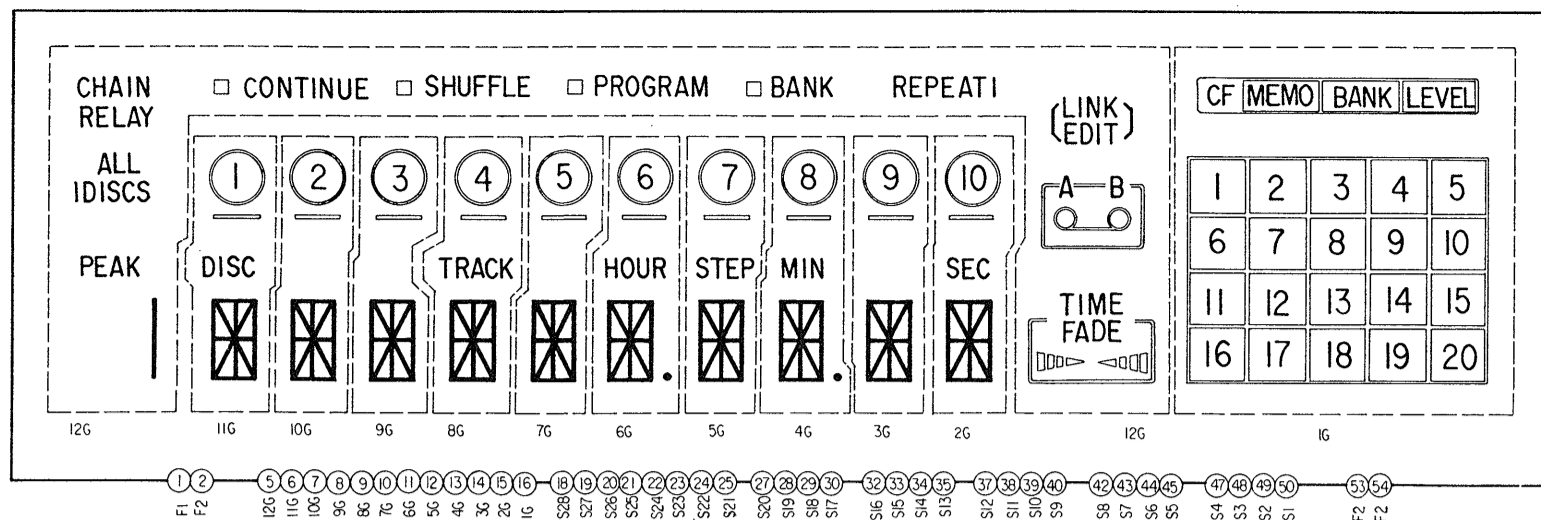
● Semiconductor Location

Ref. No.	Location	Ref. No.	Location
D301	B-15	IC411	E-24
D302	C-20	IC431	A-18
D303	E-12	IC501	F-17
D351	G-9	IC502	D-17
D401	E-22	IC503	E-19
D402	E-22	IC504	E-19
D403	E-22	IC505	F-19
D404	F-22	IC551	D-14
D411	E-24	IC552	A-20
D412	E-24	IC701	I-17
D421	A-19	IC751	I-23
D422	A-19		
D505	D-18	Q101(MAIN)	B-19
D506	E-18	Q101(BD)	F-27
D507	E-18	Q102	B-19
D514	E-18	Q103	B-19
D515	F-18	Q104	B-20
D601	G-4	Q201	B-19
D602	G-6	Q202	B-19
D701	H-16	Q203	B-19
D702	H-16	Q204	C-20
D703	H-16	Q301	B-20
D704	H-16	Q302	F-19
D705	H-16	Q303	C-12
D706	I-16	Q401	E-21
D707	I-16	Q402	F-21
D711	I-20	Q411	F-24
D712	I-20	Q412	F-24
D713	I-20	Q413	F-24
D714	I-20	Q414	E-24
D715	I-20	Q431	B-20
D716	I-20	Q501	F-18
D721	J-21	Q502	F-18
D722	J-20	Q503	F-18
D801	B-9	Q504	F-18
D802	A-9	Q505	F-18
D803	A-9	Q506	F-18
IC101	E-27	Q601	C-4
IC102	D-27	Q602	A-5
IC301	B-14	Q701	J-18
IC302	B-16	Q702	J-19
IC303	B-17	Q703	J-23
IC304	B-18	Q802	B-9
IC320	D-12	Q803	B-10
IC401	E-21		



Note:
 ● : parts extracted from the component side.
 ○ : Through hole.
 ● : Pattern on the side which is seen.
 ○ : Pattern of the rear side.

CND: Canadian
 AUS: Australian
 C910: CDP-C910
 C90ES: CDP-C90ES



Note:
 • All capacitors are in μF unless otherwise noted. pF : μF 50WV or less are not indicated except for electrolytics and tantalums.
 • All resistors are in Ω and $\frac{1}{2}W$ or less unless otherwise specified.
 • % : indicates tolerance.
 • \square : internal component.

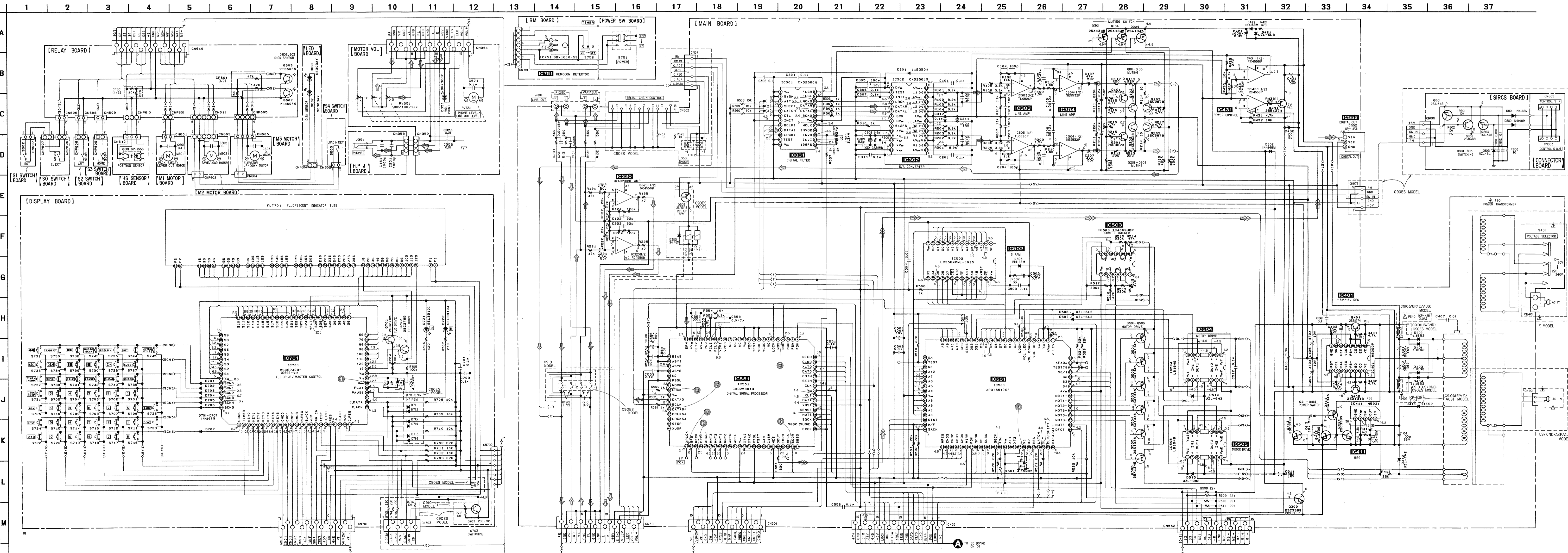
Note:
 The components identified by mark Δ or dotted line with mark Δ are critical for safety. Replace only with part number specified.

Note:
 Les composants identifiés par une marque Δ sont critiques pour la sécurité. Ne les remplacer que par une pièce portant le numéro spécifié.

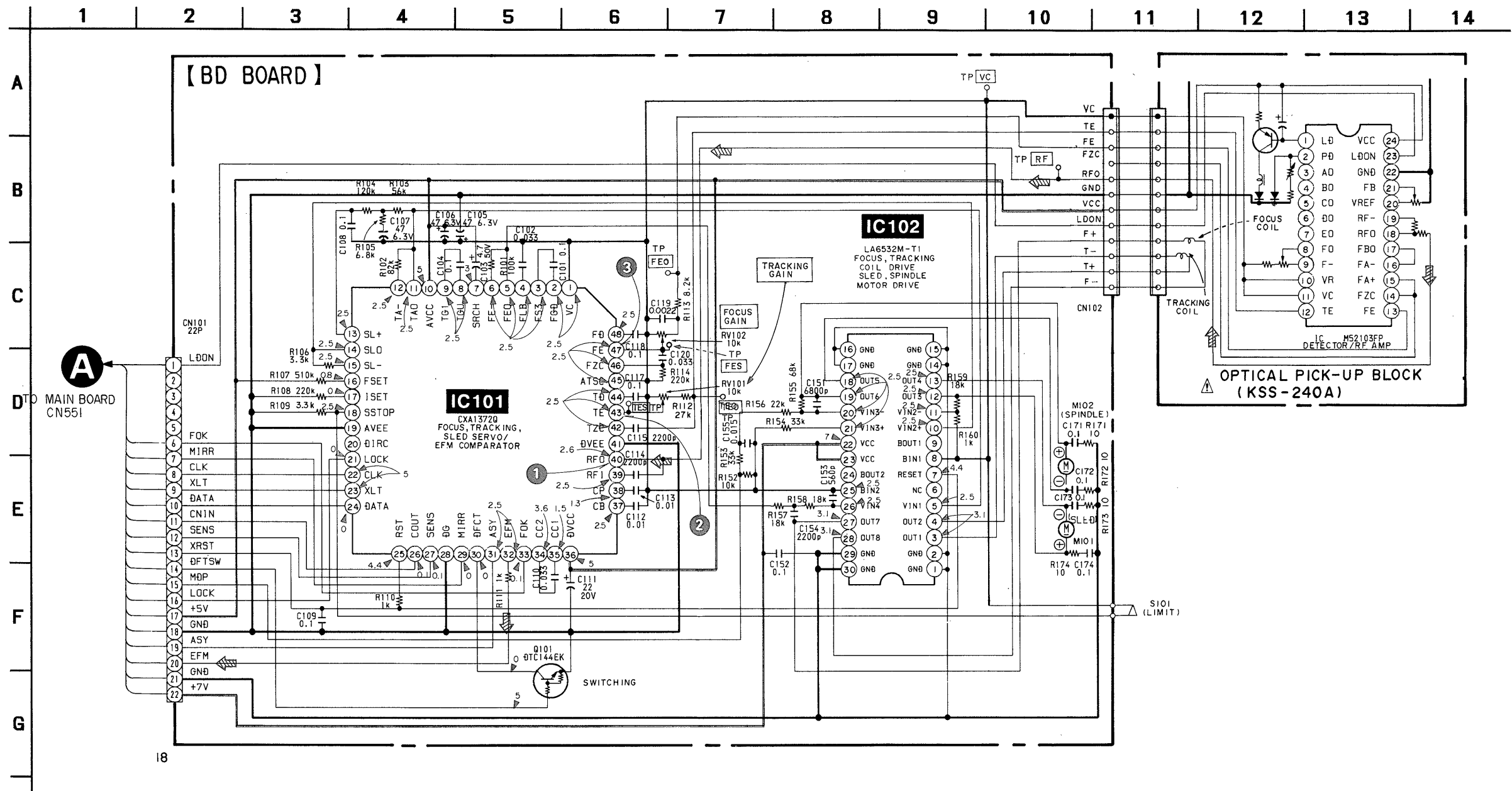
• \square : B+ Line
 • \square : B- Line
 • \square : adjustment for repair.
 • Voltage and waveforms are dc with respect to ground under no-signal (detuned) conditions.
 no mark: Stop mode
 * : impossible to measure the voltage at the marked points.

• Voltages are taken with a VOM (input impedance 10M Ω). Voltage variations may be noted due to normal production tolerances.
 • Waveforms are taken with an oscilloscope. Voltage variations may be noted due to normal production tolerances.
 • Circled numbers refer to waveforms.
 • Signal path.
 • \square : CD
 • \square : digital out
 CND: Canadian
 AUS: Australian
 CS10: CDP-C910
 C90ES: CDP-C90ES

5-2. SCHEMATIC DIAGRAM MAIN Section Refer to page 20,21 for Circuit Boards Location and Semiconductor Lead Layouts.



5-3. SCHEMATIC DIAGRAM BD Section • Refer to page 20,21 for Circuit Boards Location and Semiconductor Lead Layouts.



Note:

- All capacitors are in μF unless otherwise noted, pF : $\mu\mu\text{F}$ 50WV or less are not indicated except for electrolytics and tantalums.
- All resistors are in Ω and $\frac{1}{4}\text{W}$ or less unless otherwise specified.
- % : indicates tolerance.

Note:

The components identified by mark Δ or dotted line with mark Δ are critical for safety. Replace only with part number specified.

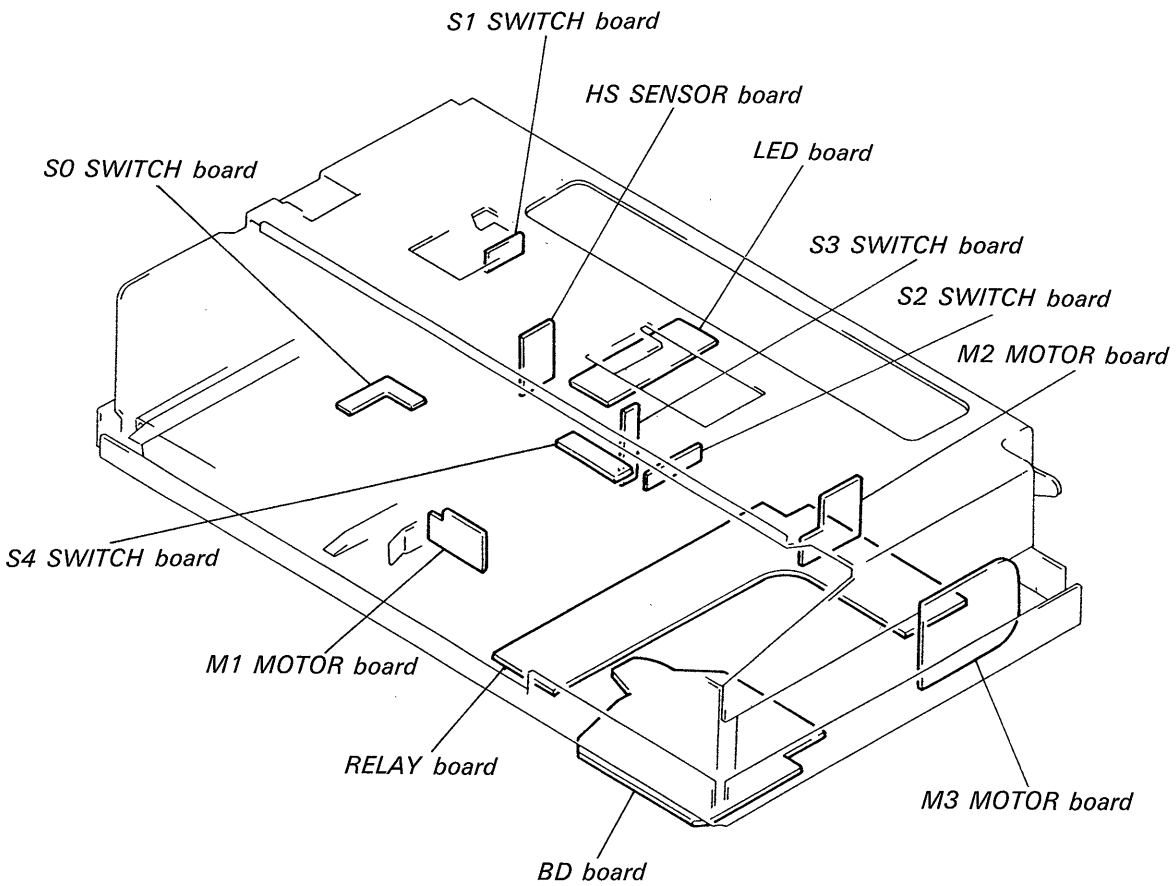
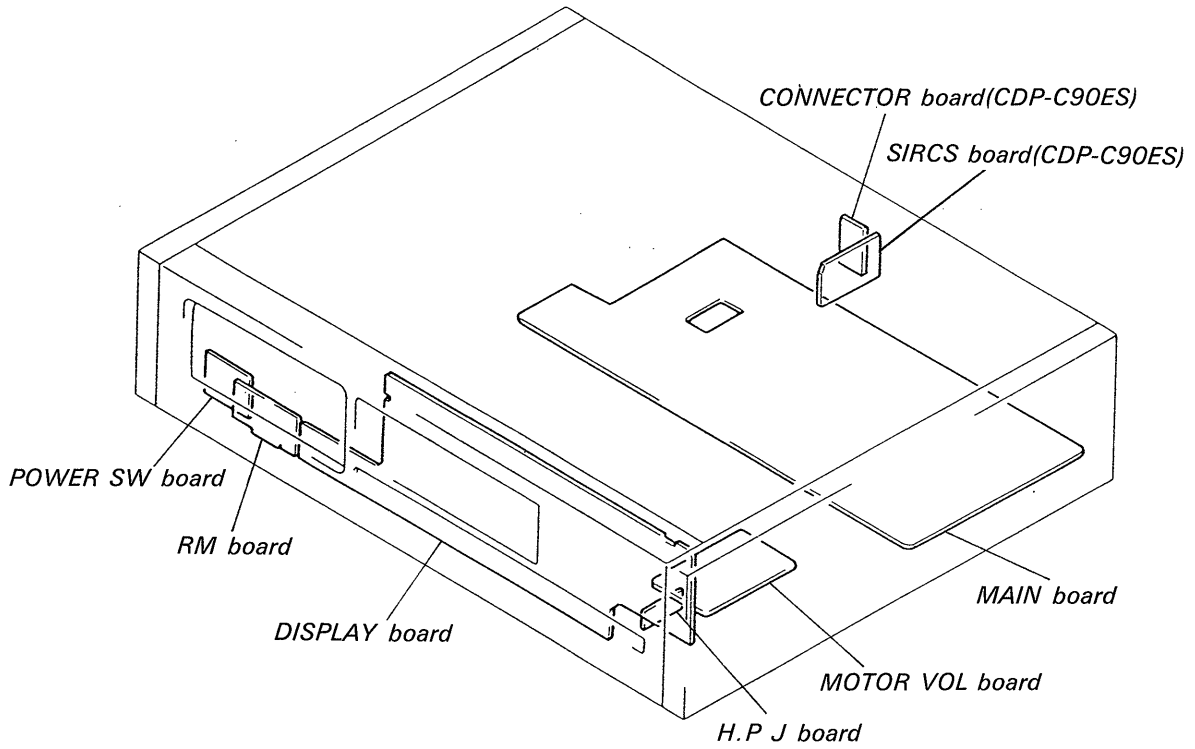
Note:

Les composants identifiés par une marque Δ sont critiques pour la sécurité. Ne les remplacer que par une pièce portant le numéro spécifié.

- Voltage and waveforms are dc with respect to ground under no-signal (detuned) conditions.
no mark : Stop mode
- Waveforms are taken with an oscilloscope.
Voltage variations may be noted due to normal production tolerances.
- Circled numbers refer to waveforms.
- Signal path.
 \Rightarrow : CD

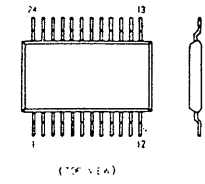
- --- : B+ Line
- --- : adjustment for repair.

● Circuit Boards Location

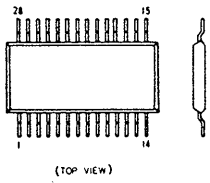


● Semiconductor Lead Layouts

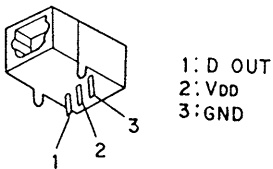
CXD2560M



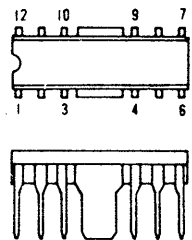
CXD2561M
CXD2561M-1



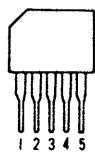
GP-1F31T



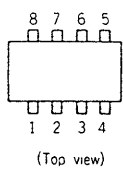
LB1649



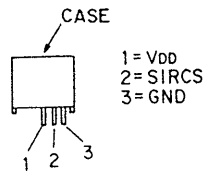
M5231TL



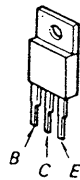
RC4556D



SBX1610-59



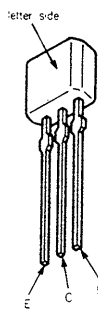
2SB1094-L
2SD1913-RS



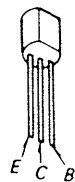
2SB1274SA-RS



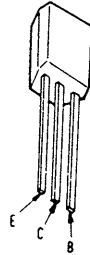
2SC2785-HFE



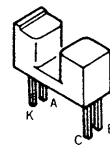
2SC2878-AB



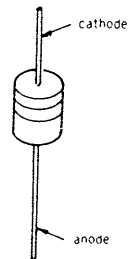
2SC3623A-LK
DTA114ES
DTA144ES
DTC144ES



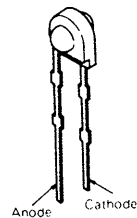
GP-1S53



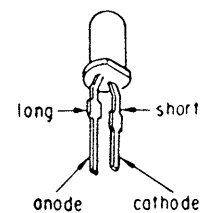
11EQS04
11ES2
1SS120
HZS6C3L
SLR-54GG4-L
UZL-6L1
UZL-6L3
UZL-9M2



BR4361F

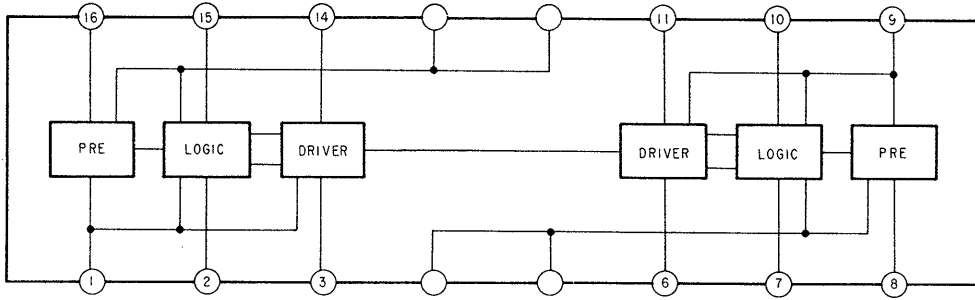


SEL3510C-TH12
SEL3810A-TH12

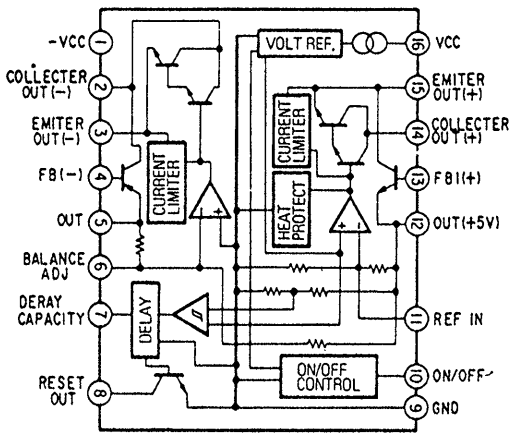


● IC Block Diagrams

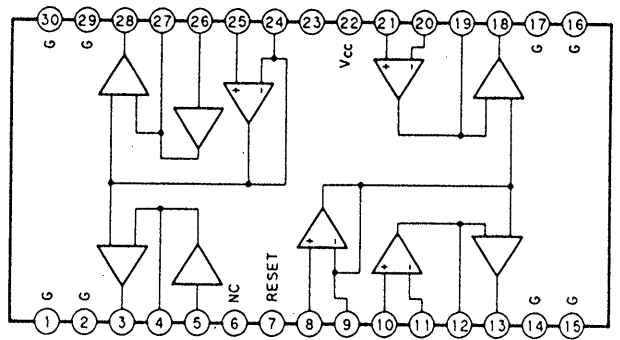
IC504,505 LB1649



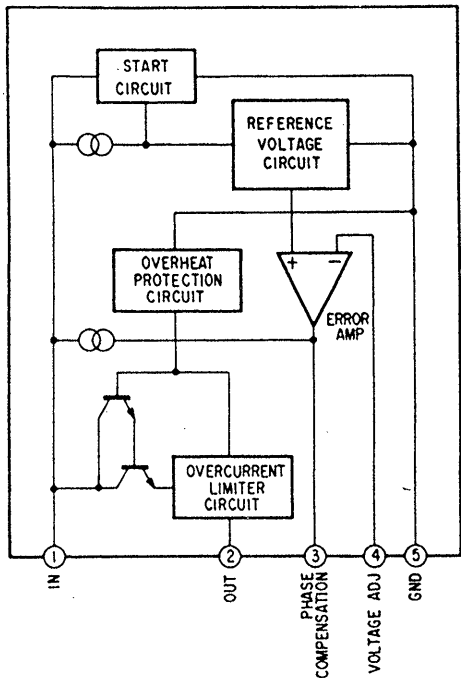
IC401 M5290P-16



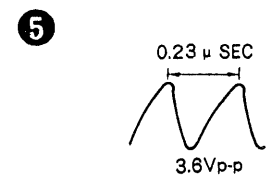
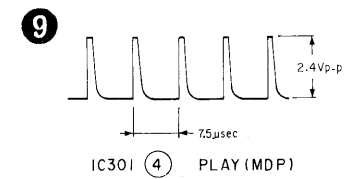
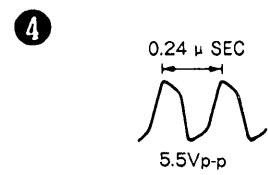
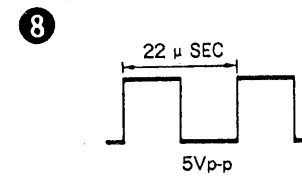
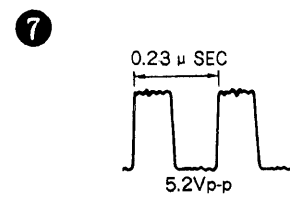
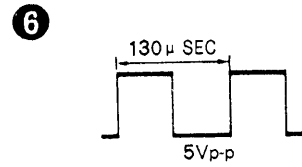
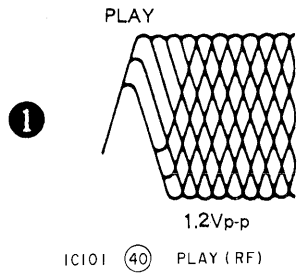
IC102 LA6532M



IC411 M5231TL



5-4. WAVEFORMS



SECTION 6 EXPLODED VIEWS

NOTE:

- -XX, -X mean standardized parts, so they may have some differences from the original one.
- Color Indication of Appearance Parts
Example:
KNOB, BALANCE(WHITE)...(RED)
↑ ↑
Parts color Cabinet's color

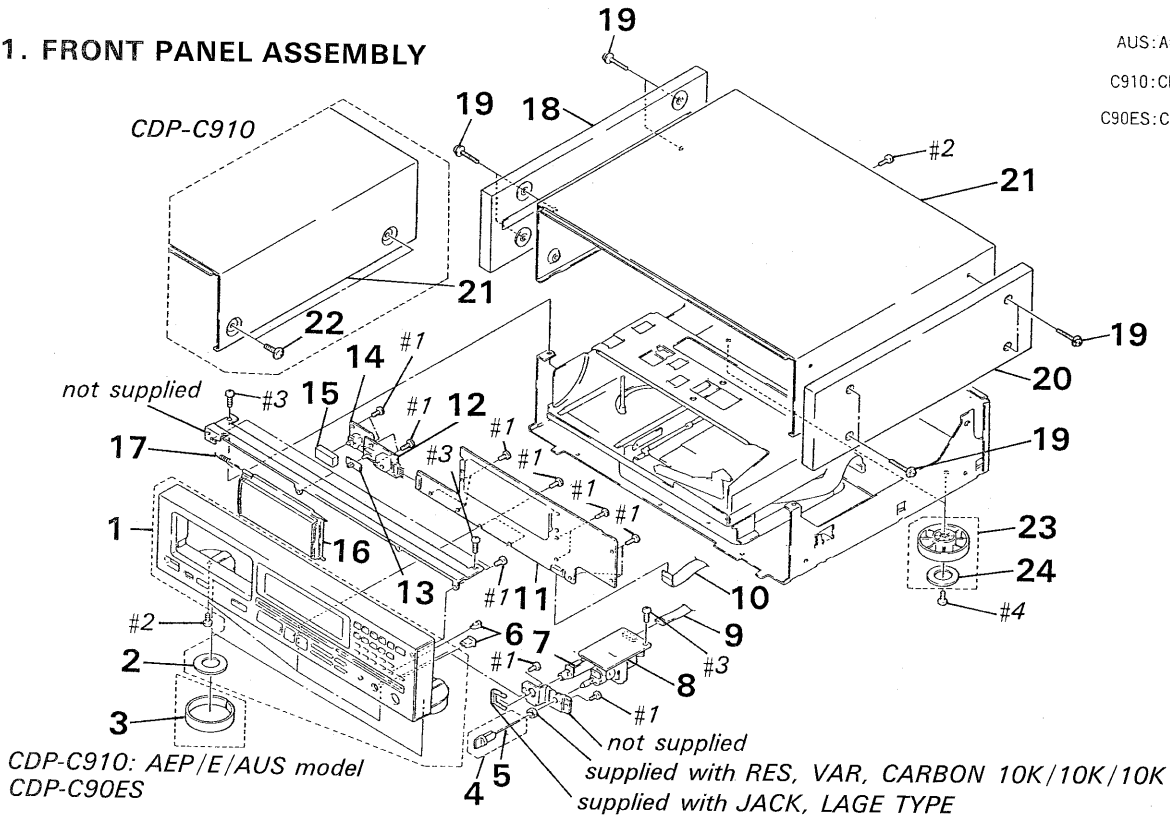
- Items marked " * " are not stocked since they are seldom required for routine service. Some delay should be anticipated when ordering these items.
- The mechanical parts with no reference number in the exploded views are not supplied.
- hardware (#mark) list is given in the last of this parts list.

The components identified by mark or dotted line with mark are critical for safety. Replace only with part number specified.

Les composants identifiés par une marque sont critiques pour la sécurité. Ne les remplacer que par une pièce portant le numéro spécifié.

AUS: Australian
C910: CDP-C910
C90ES: CDP-C90ES

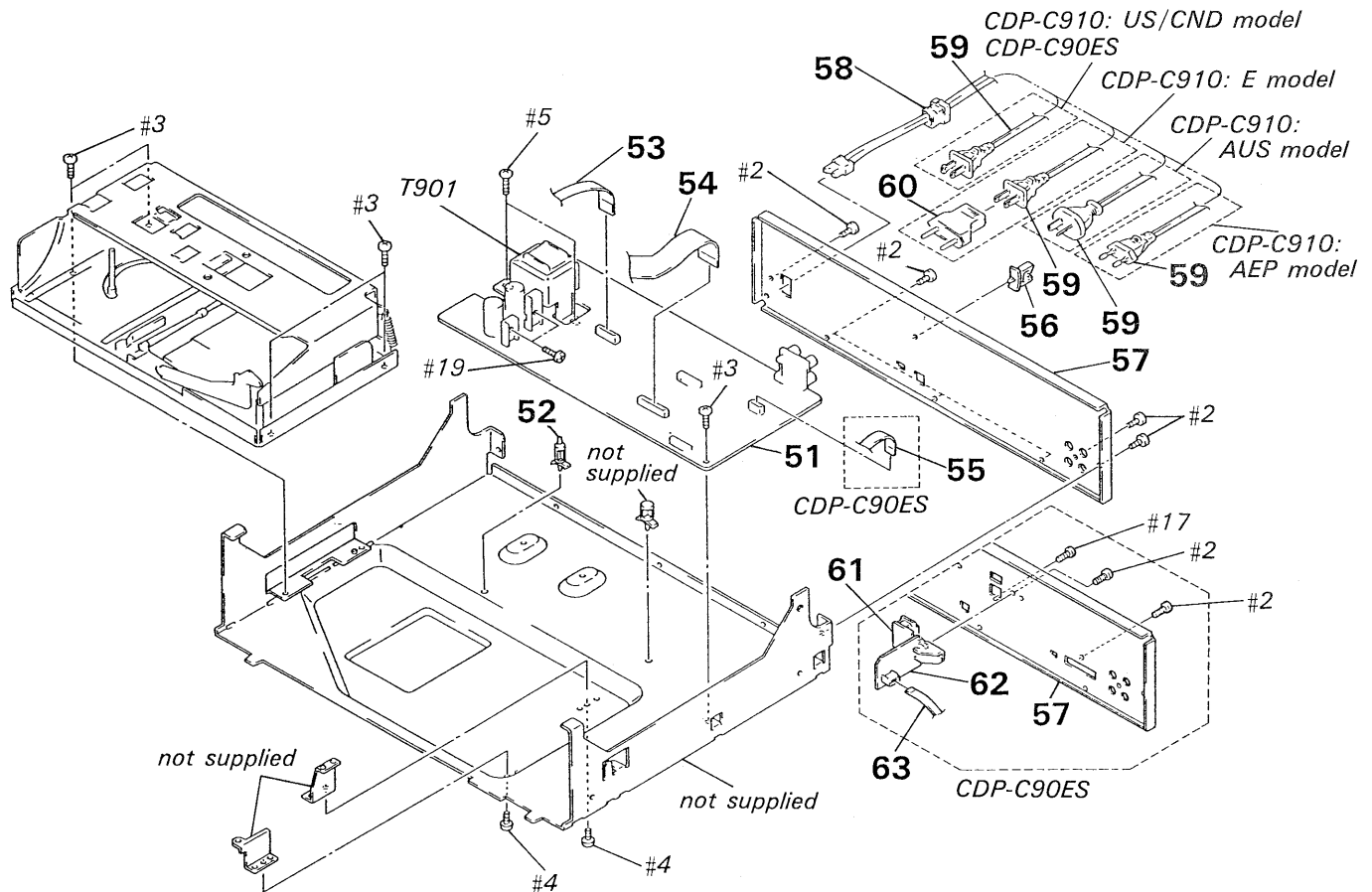
6-1. FRONT PANEL ASSEMBLY



Ref. No.	Part No.	Description	Remark
1	X-4941-764-1	PANEL ASSY, FRONT (C910:US, Canadian)	
1	X-4941-767-1	PANEL ASSY, FRONT (C90ES)	
1	X-4941-768-1	PANEL ASSY, FRONT (C910:AEP, E, AUS)	
2	4-926-391-01	FOOT (FELT)	
3	4-926-398-01	PLATE, ORNAMENTAL (C910:AEP, E, AUS/C90ES)	
4	A-4604-869-A	KNOB (HP) ASSY	
5	4-922-979-41	INDICATOR	
6	4-941-079-01	BUTTON (20 KEY)	
7	* 1-640-361-11	H. P. J BOARD	
8	* 1-640-360-11	MOTOR VOL BOARD	
9	1-575-218-11	WIRE, FLAT TYPE (17 CORE)	
10	1-690-113-11	WIRE, FLAT TYPE (15 CORE)	
11	* A-4617-923-A	DISPLAY BOARD, COMPLETE (C90ES)	
11	* A-4617-929-A	DISPLAY BOARD, COMPLETE (C910)	
12	* 1-640-359-11	RM BOARD	
13	4-922-518-11	KNOB (TIMER)	
14	* 1-640-358-11	POWER SW BOARD	
15	4-922-921-01	BUTTON (POWER)	

Ref. No.	Part No.	Description	Remark
16	4-946-204-01	PANEL (M) (C910)	
16	4-946-204-11	PANEL (M) (C90ES)	
17	4-924-499-01	SPRING	
18	X-4941-769-1	PLAET (L) ASSY, SIDE, ORNAMENTAL (C90ES)	
19	4-885-979-11	SCREW (4X25) (C90ES)	
20	X-4941-770-1	PLAET (R) ASSY, SIDE, ORNAMENTAL (C90ES)	
21	* 4-934-043-21	CASE (C910)	
21	4-934-043-61	CASE (C90ES)	
22	4-847-802-00	SCREW (C910)	
23	X-3304-938-2	FOOT ASSY (C910:AEP, E, AUS/C90ES)	
23	X-4885-950-1	FOOT ASSY (C910:US, Canadian)	
24	4-923-836-11	CUSHION	

6-2. CHASSIS ASSEMBLY



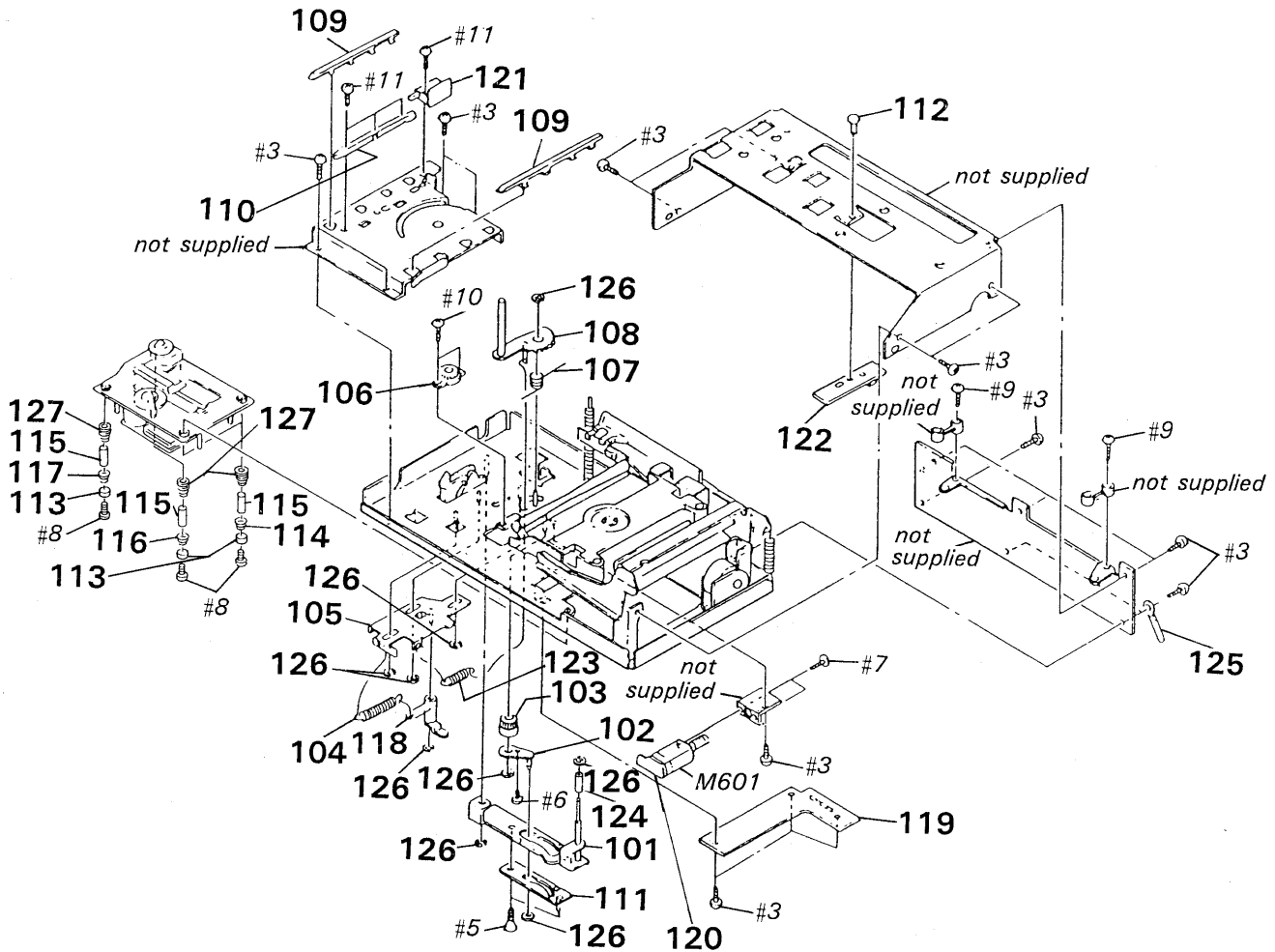
Ref.No.	Part No.	Description	Remark
51	* A-4617-922-A	MAIN BOARD, COMPLETE (C90ES)	
51	* A-4617-926-A	MAIN BOARD, COMPLETE (C910:AEP, AUS)	
51	* A-4617-927-A	MAIN BOARD, COMPLETE (C910:US, Canadian)	
51	* A-4617-928-A	MAIN BOARD, COMPLETE (C910:E)	
52	* 3-346-265-11	HOLDER, PC BOARD	
53	1-575-664-11	WIRE, FLAT TYPE (15 CORE)	
54	1-535-944-11	JUMPER, FILM (WITH TERMINAL)	
55	1-690-114-11	WIRE, FLAT TYPE (7 CORE) (C90ES)	
57	* 4-945-368-11	PANEL, BACK (C910:US, Canadian)	
57	* 4-945-368-31	PANEL, BACK (C910:AEP)	
57	* 4-945-368-41	PANEL, BACK (C910:E)	
57	* 4-945-368-51	PANEL, BACK (C910:AUS)	
57	* 4-945-368-61	PANEL, BACK (C90ES)	

Ref.No.	Part No.	Description	Remark
58	* 3-703-244-00	BUSHING (2104), CORD (C910:US, Canadian, AEP, AUS/C90ES)	
58	* 3-703-571-11	BUSHING (S) (4516), CORD (C910:E)	
59	⚠ 1-574-358-31	CORD, POWER (WITH CONNECTOR) (C910:AUS)	
59	⚠ 1-575-651-21	CORD, POWER (C910:AEP)	
59	⚠ 1-575-653-21	CORD, POWER (C910:E)	
59	⚠ 1-590-926-11	CORD, POWER (C910:US, Canadian/C90ES)	
60	⚠ 1-569-007-11	ADAPTER, CONVERSION 2P (C910:E)	
61	* 1-640-363-11	CONNECTOR BOARD (C90ES)	
62	* 1-640-362-11	SIRCS BOARD (C90ES)	
63	1-590-031-11	WIRE, FLAT TYPE (5 CORE) (C90ES)	
T901	⚠ 1-450-614-11	TRANSFORMER, POWER (C910:US, Canadian/C90ES)	
T901	⚠ 1-450-615-11	TRANSFORMER, POWER (C910:AEP, AUS)	
T901	⚠ 1-450-616-11	TRANSFORMER, POWER (C910:E)	

Note:
The components identified by mark ⚠ or dotted line with mark ⚠ are critical for safety. Replace only with part number specified.

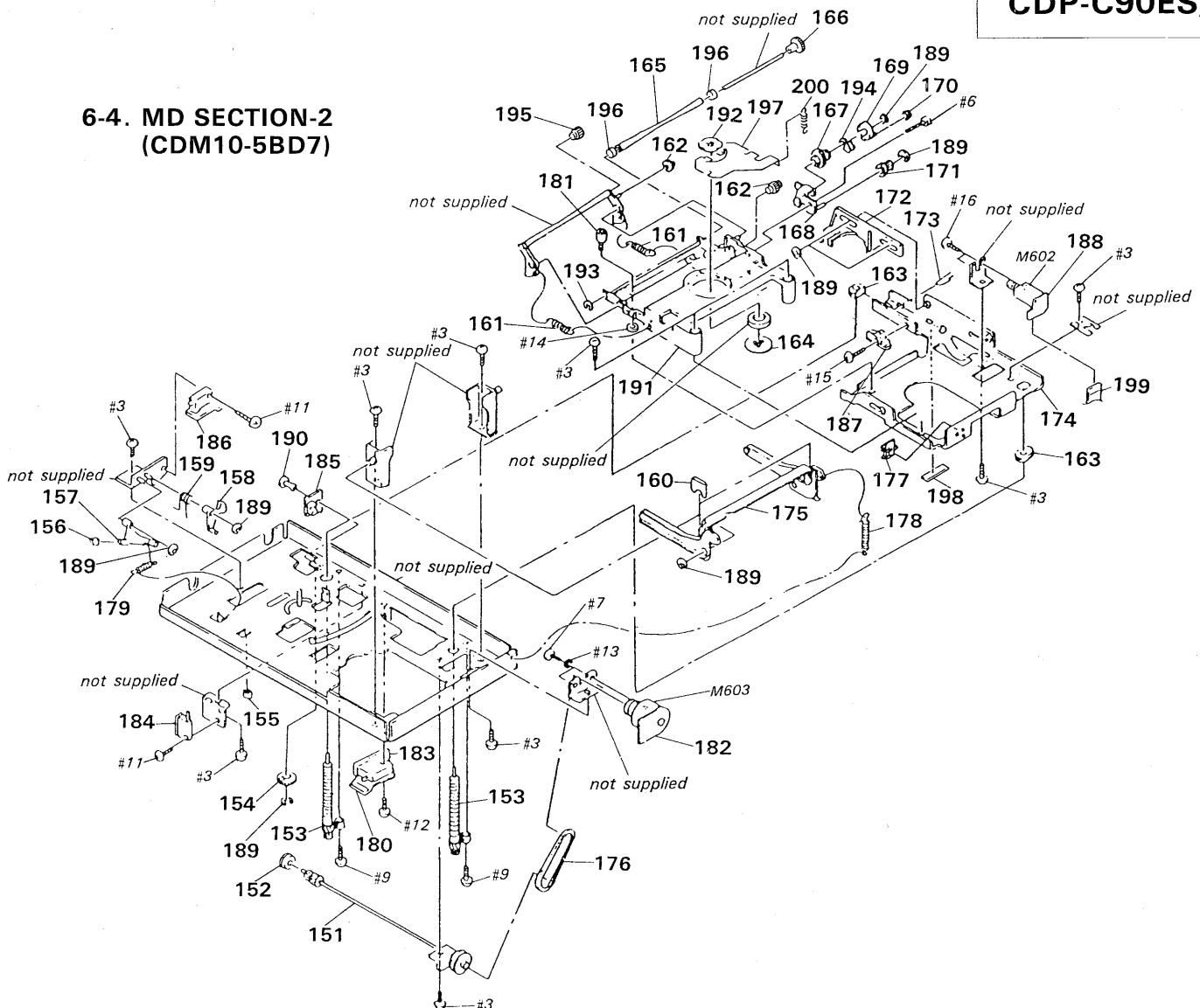
Note:
Les composants identifiés par une marque ⚠ sont critiques pour la sécurité. Ne les remplacer que par une pièce portant le numéro spécifié.

6-3. MD SECTION-1
(CDM10-5BD7)



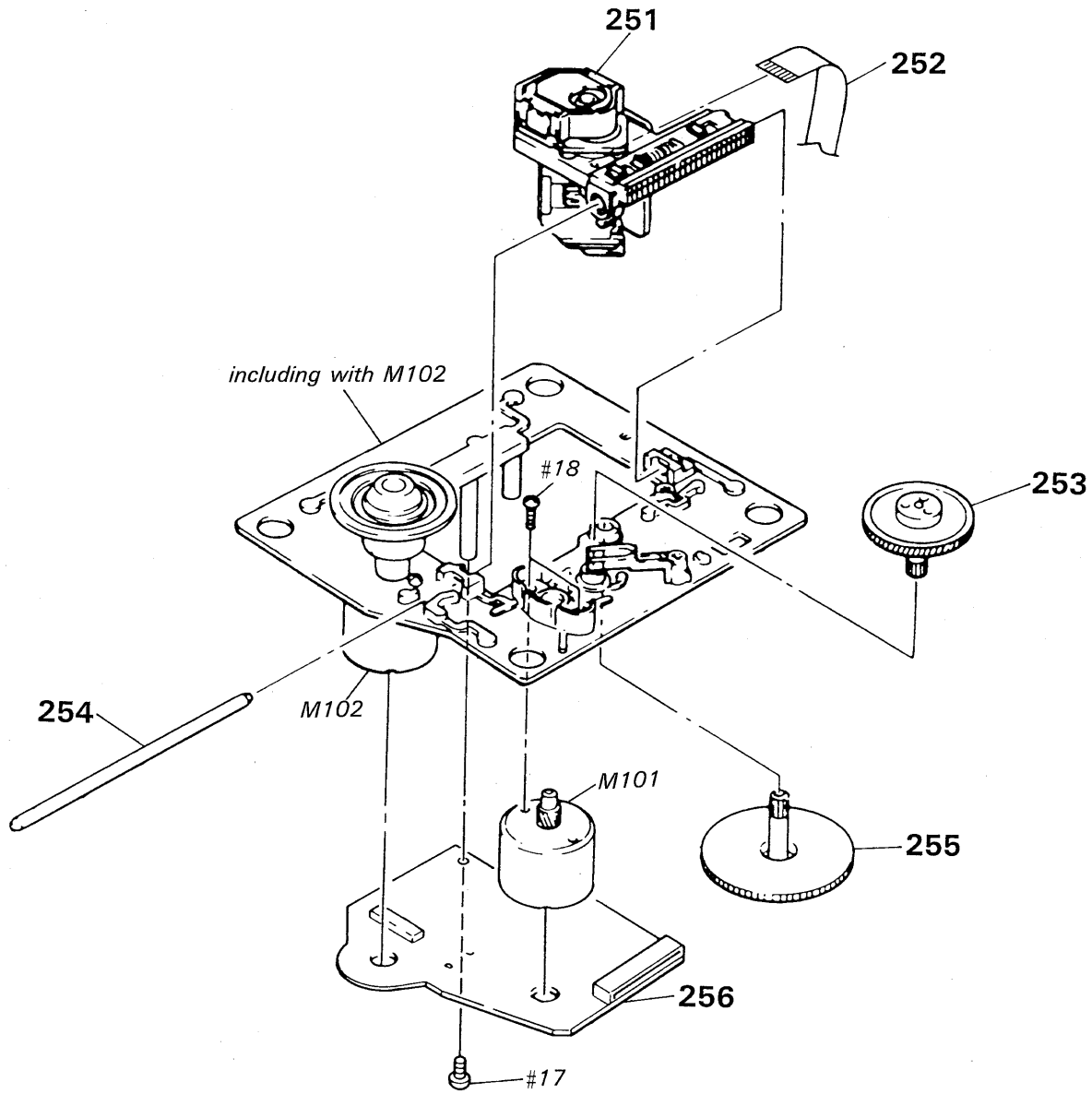
Ref. No.	Part No.	Description	Remark	Ref. No.	Part No.	Description	Remark
101	* X-4917-728-1	LEVER (D1) ASSY		115	* 4-926-249-01	COLLAR	
102	X-4917-733-1	LEVER (G) ASSY		116	4-917-541-01	SPRING (B)	
103	4-926-230-11	GEAR (P1)		117	4-918-669-01	SPRING (W)	
104	4-926-213-01	SPRING (I), TENSION		118	4-926-244-01	LEVER (EJECT)	
105	X-4941-772-1	SLIDER (A) ASSY		119	* 1-640-369-11	RELAY BOARD	
106	3-319-224-31	DAMPER, SMALL		120	* 1-640-364-11	M1 MOTOR BOARD	
107	4-926-208-01	SPRING (EJECT)		121	* 1-640-371-11	S1 SWITCH BOARD	
108	X-4917-729-1	LEVER (E) ASSY		122	* 1-640-370-11	LED BOARD	
109	4-926-246-01	RAIL		123	4-926-201-01	SPRING (2), TENSION	
110	* 4-926-247-01	GUIDE		124	* 4-927-507-01	ROLLER (D)	
111	* 4-926-210-11	LEVER (D2)		125	* 3-701-822-00	HOLDER, WIRE	
112	3-531-576-11	RIVET		126	3-701-439-01	WASHER	
113	4-917-508-01	HOLDER, SP		127	4-917-562-01	INSULATOR	
114	4-917-507-01	SPRING (H)		M601	A-4608-356-A	MOTOR ASSY, M1 (PACK EJECT/LEVER OUT)	

6-4. MD SECTION-2
(CDM10-5BD7)



Ref. No.	Part No.	Description	Remark	Ref. No.	Part No.	Description	Remark
151	A-4675-265-A	GEAR ASSY		177	* 4-927-599-01	STOPPER	
152	4-926-211-01	BEARING		178	4-926-202-01	SPRING (4), TENSION	
153	* A-4675-264-A	SCREW ASSY		179	4-926-203-01	SPRING (5), TENSION	
154	4-926-232-01	GEAR (S)		180	* 4-926-590-01	HOLDER (S)	
155	4-887-175-00	RUBBER, STOPPER		181	4-932-901-01	BOLT (SPECIAL), HEXAGON SOCKET	
156	4-926-215-01	HOLDER		182	* 1-640-365-11	M3 MOTOR BOARD	
157	4-926-209-01	LEVER (STOP)		183	* 1-640-368-11	S2 SWITCH BOARD	
158	4-926-245-01	LEVER (P)		184	* 1-640-366-11	S3 SWITCH BOARD	
159	4-920-299-01	SPRING (LOCK)		185	* 1-640-367-11	HS SENSOR BOARD	
160	* 4-927-508-01	SPACER		186	* 1-640-372-11	S0 SWITCH BOARD	
161	4-926-214-01	SPRING (3), TENSION		187	* 1-640-374-11	S4 SWITCH BOARD	
162	4-926-235-11	GEAR (R3)		188	* 1-640-373-11	M2 MOTOR BOARD	
163	4-926-241-01	HOLDER (E2)		189	4-926-219-01	RING (DIA. 2.3), RETAINING	
164	4-921-022-01	PULLEY, CHUCKING		190	3-531-576-11	RIVET	
165	3-323-231-02	ROLLER (LOWER)		191	X-4917-777-1	ESCUTCHEON (2) ASSY	
166	4-926-233-11	GEAR (R1)		192	4-921-029-01	YOKE, CHUCKING	
167	4-926-234-11	GEAR (R2)		193	4-926-218-01	RING (DIA. 2), RETAINING	
168	X-4941-771-1	HOLDER (G) ASSY		194	A-4675-276-A	GEAR ASSY, PLANET	
169	4-926-239-11	GEAR (R7)		195	4-926-236-11	GEAR (R4)	
170	4-926-250-01	ROLLER (S)		196	4-932-905-01	ROLLER	
171	4-926-238-11	GEAR (R6)		197	* 4-932-904-01	ARM	
172	4-920-289-01	SLIDER (B)		198	3-831-441-XX	CUSHION (B), CABINET	
173	4-920-298-01	SPRING (CLIP)		199	1-690-115-11	WIRE, FLAT TYPE	
174	* X-4917-738-4	CHASSIS (E) ASSY		200	4-932-906-01	SPRING (ARM), TENSION	
175	* A-4675-256-A	ARM ASSY		M602	A-4608-360-A	MOTOR ASSY, M2 (SAVE/LOAD)	
176	4-920-288-01	BELT		M603	A-4608-358-A	MOTOR ASSY, M3 (ELEVATOR UP/DOWN)	

6-5. OPTICAL PICK-UP BLOCK
(BU-5BD7)



Ref. No.	Part No.	Description	Remark
251	8-848-144-11	PICK-UP, OPTICAL KSS-240A	
252	1-575-001-11	WIRE, FLAT TYPE (12 CORE)	
253	4-917-567-01	GEAR (M)	
254	4-917-565-01	SHAFT, SLED	
255	4-917-564-01	GEAR (P), FLATNESS	
256	* A-4617-371-A	BD BOARD, COMPLETE	
M101	X-4917-504-1	MOTOR ASSY (SLED)	
M102	X-4917-523-3	MOTOR ASSY (SPINDLE)	

SECTION 7
ELECTRICAL PARTS LIST

BD

NOTE:

- Due to standardization, replacements in the parts list may be different from the parts specified in the diagrams or the components used on the set.
- -XX, -X mean standardized parts, so they may have some differences from the original one.
- RESISTORS
All resistors are in ohms
METAL: Metal-film resistor
METAL OXIDE: Metal Oxide-film resistor
F: nonflammable

- Items marked " * " are not stocked since they are seldom required for routine service. Some delay should be anticipated when ordering these items.
- SEMICONDUCTORS
In each case, u: μ , for example:
uA...: μ A..., uPA...: μ PA...,
uPB...: μ PB..., uPC...: μ PC...,
uPD...: μ PB...
- CAPACITORS
uF: μ F
- COILS
uH: μ H

When indication parts by reference number, please include the board name.

The components identified by mark Δ or dotted line with mark Δ are critical for safety. Replace only with part number specified.

Les composants identifiés par une marque Δ sont critiques pour la sécurité. Ne les remplacer que par une pièce portant le numéro spécifié.

AUS: Australian
C910: CDP-C910
C90ES: CDP-C90ES

Ref. No.	Part No.	Description	Remark	Ref. No.	Part No.	Description	Remark
	* A-4617-371-A	BD BOARD, COMPLETE *****				< CONNECTOR >	
		< CAPACITOR >				< IC >	
C101	1-163-038-00	CERAMIC CHIP	0.1uF	25V			
C102	1-163-989-11	CERAMIC CHIP	0.033uF	10% 25V	CN101	1-568-796-11	SOCKET, CONNECTOR 22P
C103	1-126-163-11	ELECT	4.7uF	20% 50V	CN102	1-568-795-11	SOCKET, CONNECTOR 12P
C104	1-163-038-00	CERAMIC CHIP	0.1uF	25V			< IC >
C105	1-126-154-11	ELECT	47uF	20% 6.3V	IC101	8-752-050-82	IC CXA1372Q
					IC102	8-759-822-36	IC LA6532M
							< JACK >
C106	1-126-154-11	ELECT	47uF	20% 6.3V	J101	1-216-295-00	METAL CHIP 0 5% 1/10W
C107	1-126-154-11	ELECT	47uF	20% 6.3V	J102	1-216-295-00	METAL CHIP 0 5% 1/10W
C108	1-163-038-00	CERAMIC CHIP	0.1uF	25V			< MOTOR >
C109	1-163-038-00	CERAMIC CHIP	0.1uF	25V	M101	X-4917-504-1	MOTOR ASSY (SLED)
C110	1-163-989-11	CERAMIC CHIP	0.033uF	10% 25V	M102	X-4917-523-3	MOTOR ASSY (SPINDLE)
							< TRANSISTOR >
C111	1-131-367-00	TANTALUM	22uF	10% 20V	Q101	8-729-901-01	TRANSISTOR DTC144EK
C112	1-164-232-11	CERAMIC CHIP	0.01uF	50V			< RESISTOR >
C113	1-164-232-11	CERAMIC CHIP	0.01uF	50V	R101	1-216-097-00	METAL CHIP 100K 5% 1/10W
C114	1-164-161-11	CERAMIC CHIP	0.0022uF	10% 100V	R102	1-216-095-00	METAL CHIP 82K 5% 1/10W
C115	1-164-161-11	CERAMIC CHIP	0.0022uF	10% 100V	R103	1-216-091-00	METAL CHIP 56K 5% 1/10W
					R104	1-216-099-00	METAL CHIP 120K 5% 1/10W
C117	1-163-038-00	CERAMIC CHIP	0.1uF	25V	R105	1-216-069-00	METAL CHIP 6.8K 5% 1/10W
C118	1-163-038-00	CERAMIC CHIP	0.1uF	25V			
C119	1-164-161-11	CERAMIC CHIP	0.0022uF	10% 100V	R106	1-216-061-00	METAL CHIP 3.3K 5% 1/10W
C120	1-163-989-11	CERAMIC CHIP	0.033uF	10% 25V	R107	1-216-114-00	METAL GLAZE 510K 5% 1/10W
C151	1-163-019-00	CERAMIC CHIP	0.0068uF	10% 50V	R108	1-216-105-00	METAL CHIP 220K 5% 1/10W
					R109	1-216-061-00	METAL CHIP 3.3K 5% 1/10W
C152	1-163-038-00	CERAMIC CHIP	0.1uF	25V	R110	1-216-049-00	METAL CHIP 1K 5% 1/10W
C153	1-163-006-11	CERAMIC CHIP	560PF	10% 50V			
C154	1-164-161-11	CERAMIC CHIP	0.0022uF	10% 100V			
C155	1-163-023-00	CERAMIC CHIP	0.015uF	5% 50V			
C171	1-163-038-00	CERAMIC CHIP	0.1uF	25V			
C172	1-163-038-00	CERAMIC CHIP	0.1uF	25V			
C173	1-163-038-00	CERAMIC CHIP	0.1uF	25V			
C174	1-163-038-00	CERAMIC CHIP	0.1uF	25V			

BD HS SENSOR LED MAIN DISPLAY POWER SW RM

MOTOR VOL H.P J SIRCS CONNECTOR

Ref. No.	Part No.	Description	Remark
R111	1-216-049-00	METAL CHIP 1K 5%	1/10W
R112	1-216-083-00	METAL CHIP 27K 5%	1/10W
R113	1-216-071-00	METAL CHIP 8.2K 5%	1/10W
R114	1-216-105-00	METAL CHIP 220K 5%	1/10W
R152	1-216-073-00	METAL CHIP 10K 5%	1/10W
R153	1-216-085-00	METAL CHIP 33K 5%	1/10W
R154	1-216-085-00	METAL CHIP 33K 5%	1/10W
R155	1-216-093-00	METAL CHIP 68K 5%	1/10W
R156	1-216-081-00	METAL CHIP 22K 5%	1/10W
R157	1-216-079-00	METAL CHIP 18K 5%	1/10W
R158	1-216-079-00	METAL CHIP 18K 5%	1/10W
R159	1-216-079-00	METAL CHIP 18K 5%	1/10W
R160	1-216-049-00	METAL CHIP 1K 5%	1/10W
R171	1-216-001-00	METAL CHIP 10 5%	1/10W
R172	1-216-001-00	METAL CHIP 10 5%	1/10W
R173	1-216-001-00	METAL CHIP 10 5%	1/10W
R174	1-216-001-00	METAL CHIP 10 5%	1/10W

< VARIABLE RESISTOR >

RV101	1-238-016-11	RES, ADJ, CARBON 10K
RV102	1-238-016-11	RES, ADJ, CARBON 10K

< SWITCH >

S101	1-572-085-11	SWITCH, LEAF (LIMIT)
------	--------------	----------------------

* 1-640-367-11 HS SENSOR BOARD

< TRANSISTOR >

Q601	8-719-941-80	TRANSISTOR GP1S53
------	--------------	-------------------

* 1-640-370-11 LED BOARD

< CONNECTOR >

CNP604	* 1-564-495-11	PIN, CONNECTOR 2P
--------	----------------	-------------------

< DIODE >

D601	8-719-107-82	DIODE SE303AY
D602	8-719-107-82	DIODE SE303AY

Ref. No.	Part No.	Description	Remark
* A-4617-922-A		MAIN BOARD, COMPLETE (C90ES)	
* A-4617-926-A		MAIN BOARD, COMPLETE (910:AEP, AUS)	
* A-4617-927-A		MAIN BOARD, COMPLETE (910:US, Canadian)	
* A-4617-928-A		MAIN BOARD, COMPLETE (910:E)	

* A-4617-923-A		DISPLAY BOARD, COMPLETE (C90ES)	
* A-4617-929-A		DISPLAY BOARD, COMPLETE (910)	

* 1-640-358-11		POWER SW BOARD	

* 1-640-359-11		RM BOARD	

* 1-640-360-11		MOTOR VOL BOARD	

* 1-640-361-11		H. P. J BOARD	

* 1-640-362-11		SIRCS BOARD (C90ES)	

* 1-640-363-11		CONNECTOR BOARD (C90ES)	

* 3-322-818-01 HOLDER, CONNECTOR (C90ES)

* 4-922-980-01 HOLDER (LED)

(Q401) * 4-941-237-01 HEAT SINK

(Q402) 4-902-345-01 HEAT SINK

(FLH701) * 4-946-721-01 HOLDER (FL/L)

(FLH702) * 4-946-209-01 HOLDER (FL)

(Q602) 4-946-219-01 HOLDER, LED

7-682-547-09 SCREW +B 3X6

< CAPACITOR >

C101	1-164-159-11	CERAMIC	0.1uF	50V
C102	1-162-289-31	CERAMIC	390PF	10% 50V
C103	1-162-285-31	CERAMIC	180PF	10% 50V
C104	1-162-285-31	CERAMIC	180PF	10% 50V
C105	1-130-479-00	MYLAR	0.0047uF	5% 50V
C106	1-130-472-00	MYLAR	0.0012uF	5% 50V
C107	1-124-910-11	ELECT	47uF	20% 50V
C121	1-126-163-11	ELECT	4.7uF	20% 50V
C122	1-162-207-31	CERAMIC	22PF	5% 50V
C131	1-130-473-00	MYLAR	0.0015uF	5% 50V
C151	1-162-294-31	CERAMIC	0.001uF	10% 50V
C201	1-164-159-11	CERAMIC	0.1uF	50V
C202	1-162-289-31	CERAMIC	390PF	10% 50V
C203	1-162-285-31	CERAMIC	180PF	10% 50V
C204	1-162-285-31	CERAMIC	180PF	10% 50V
C205	1-130-479-00	MYLAR	0.0047uF	5% 50V
C206	1-130-472-00	MYLAR	0.0012uF	5% 50V
C207	1-124-910-11	ELECT	47uF	20% 50V
C221	1-126-163-11	ELECT	4.7uF	20% 50V
C222	1-162-207-31	CERAMIC	22PF	5% 50V

MAIN

DISPLAY

POWER SW

RM

MOTOR VOL

H.P J

The components identified by mark Δ or dotted line with mark Δ are critical for safety. Replace only with part number specified.

Les composants identifiés par une marque Δ sont critiques pour la sécurité. Ne les remplacer que par une pièce portant le numéro spécifié.

SIRCS

CONNECTOR

Ref. No.	Part No.	Description		Remark
C231	1-130-473-00	MYLAR	0.0015uF	5% 50V
C251	1-162-294-31	CERAMIC	0.001uF	10% 50V
C301	1-164-159-11	CERAMIC	0.1uF	50V
C302	1-164-159-11	CERAMIC	0.1uF	50V
C303	1-162-208-31	CERAMIC	24PF	5% 50V
C305	1-124-994-11	ELECT	100uF	20% 10V
C306	1-164-159-11	CERAMIC	0.1uF	50V
C307	1-164-159-11	CERAMIC	0.1uF	50V
C308	1-162-196-31	CERAMIC	5.6PF	10% 50V
C309	1-162-196-31	CERAMIC	5.6PF	10% 50V
C310	1-164-159-11	CERAMIC	0.1uF	50V
C311	1-124-994-11	ELECT	100uF	20% 10V
C312	1-164-159-11	CERAMIC	0.1uF	50V
C313	1-126-161-11	ELECT	2.2uF	20% 50V
C314	1-126-161-11	ELECT	2.2uF	20% 50V
C351	1-162-306-11	CERAMIC	0.01uF	20% 16V
C352	1-162-306-11	CERAMIC	0.01uF	20% 16V
C401	1-126-017-11	ELECT	6800uF	20% 16V
C402	1-126-017-11	ELECT	6800uF	20% 16V
C403	1-126-059-11	ELECT	10uF	20% 50V
C404	1-126-163-11	ELECT	4.7uF	20% 50V
C405	1-124-997-11	ELECT	470uF	20% 10V
C406	1-124-997-11	ELECT	470uF	20% 10V
C407	1-162-306-11	CERAMIC	0.01uF	20% 16V
C411	1-124-572-11	ELECT	100uF	20% 63V
C412	1-126-059-11	ELECT	10uF	20% 50V
C413	1-126-059-11	ELECT	10uF	20% 50V
C421	1-124-471-00	ELECT	1000uF	20% 6.3V
C431	1-126-059-11	ELECT	10uF	20% 50V
C432	1-126-101-11	ELECT	100uF	20% 16V
C433	1-126-161-11	ELECT	2.2uF	20% 50V
C501	1-124-994-11	ELECT	100uF	20% 10V
C502	1-164-159-11	CERAMIC	0.1uF	50V
C503	1-164-159-11	CERAMIC	0.1uF	50V
C504	1-162-306-11	CERAMIC	0.01uF	20% 16V
C505	1-125-486-11	DUBLE LAYERS	0.22F	5.5V
C511	1-126-025-11	ELECT	330uF	20% 16V
C512	1-164-159-11	CERAMIC	0.1uF	50V
C551	1-164-159-11	CERAMIC	0.1uF	50V
C552	1-164-159-11	CERAMIC	0.1uF	50V
C553	1-164-159-11	CERAMIC	0.1uF	50V
C554	1-162-306-11	CERAMIC	0.01uF	20% 16V
C556	1-126-300-11	ELECT	0.47uF	20% 50V
C557	1-161-374-11	CERAMIC	0.0015uF	20% 50V
C558	1-136-161-00	FILM	0.047uF	5% 50V
C561	1-164-159-11	CERAMIC	0.1uF	50V
C571	1-164-159-11	CERAMIC	0.1uF	50V
C701	1-164-159-11	CERAMIC	0.1uF	50V
C702	1-164-159-11	CERAMIC	0.1uF	50V

Ref. No.	Part No.	Description		Remark
C703	1-164-159-11	CERAMIC	0.1uF	50V
C801	1-162-306-11	CERAMIC	0.01uF	20% 16V (C90ES)
C802	1-164-159-11	CERAMIC	0.1uF	50V (C90ES)
< CONNECTOR >				
CN301	* 1-568-836-11	SOCKET, CONNECTOR	17P	
CN302	* 1-566-859-11	SOCKET, CONNECTOR	15P	(SELIAL CHAIN CONTROL) (C90ES)
CN351	1-568-860-11	SOCKET, CONNECTOR	17P	
CN352	* 1-568-544-11	PIN, CONNECTOR (PC BOARD)	3P	
CN353	1-568-545-11	SOCKET, CONNECTOR (PC BOARD)	3P	
CN401	* Δ 1-580-230-11	PIN, CONNECTOR (PC BOARD)	3P	
CN501	* 1-568-834-11	SOCKET, CONNECTOR	15P	
CN551	1-568-802-11	SOCKET, CONNECTOR	19P	
CN552	* 1-568-834-11	SOCKET, CONNECTOR	15P	
CN571	* 1-568-826-11	SOCKET, CONNECTOR	7P (C90ES)	
CN572	* 1-568-824-11	SOCKET, CONNECTOR	5P (C90ES)	
CN701	* 1-569-306-11	SOCKET, CONNECTOR	15P	
CN702	* 1-565-347-11	SOCKET, CONNECTOR (PC BOARD)	8P	
CN703	* 1-568-850-11	SOCKET, CONNECTOR	7P (C90ES)	
CN751	* 1-565-322-11	PIN, CONNECTOR (PC BOARD)	8P	
CN801	* 1-568-824-11	SOCKET, CONNECTOR	5P (C90ES)	
CN802	* 1-560-039-21	PIN, CONNECTOR (CONTROL S IN)	(C90ES)	
CN803	* 1-560-039-21	PIN, CONNECTOR (CONTROL S OUT)	(C90ES)	
< DIODE >				
D301	8-719-210-21	DIODE 11EQS04		
D302	8-719-912-20	DIODE 1SS120		
D303	8-719-912-20	DIODE 1SS120	(C90ES)	
D351	8-719-970-49	DIODE BR4361F		
D401	8-719-200-82	DIODE 11ES2		
D402	8-719-200-82	DIODE 11ES2		
D403	8-719-200-82	DIODE 11ES2		
D404	8-719-200-82	DIODE 11ES2		
D411	8-719-200-82	DIODE 11ES2		
D412	8-719-933-47	DIODE SLR-546G4-L		
D421	8-719-000-54	DIODE UZL-6L3		
D422	8-719-912-20	DIODE 1SS120		
D505	8-719-912-20	DIODE 1SS120		
D506	8-719-000-54	DIODE UZL-6L3		
D507	8-719-000-54	DIODE UZL-6L3		
D514	8-719-933-41	DIODE HZS6C3L		
D515	8-719-001-15	DIODE UZL-9M2		
D701	8-719-912-20	DIODE 1SS120		
D702	8-719-912-20	DIODE 1SS120		
D703	8-719-912-20	DIODE 1SS120		
D704	8-719-912-20	DIODE 1SS120		
D705	8-719-912-20	DIODE 1SS120		
D706	8-719-912-20	DIODE 1SS120		

MAIN

DISPLAY

POWER SW

RM

MOTOR VOL

H.P J

SIRCS

CONNECTOR

Ref. No.	Part No.	Description	Remark
D707	8-719-912-20	DIODE 1SS120	
D711	8-719-912-20	DIODE 1SS120 (C90ES)	
D712	8-719-912-20	DIODE 1SS120 (C90ES)	
D713	8-719-912-20	DIODE 1SS120 (C90ES)	
D714	8-719-912-20	DIODE 1SS120 (C90ES)	
D715	8-719-912-20	DIODE 1SS120 (C90ES)	
D716	8-719-912-20	DIODE 1SS120 (C90ES)	
D721	8-719-313-49	DIODE SEL3510C-TH12	
D722	8-719-313-72	DIODE SEL3810A-TH12	
D801	8-719-912-20	DIODE 1SS120 (C90ES)	
D802	8-719-912-20	DIODE 1SS120 (C90ES)	
D803	8-719-933-33	DIODE UZL-6L1 (C90ES)	
< FLUORESCENT >			
FLT701	1-519-662-11	INDICATOR TUBE, FLUORESCENT	
< IC >			
IC301	8-752-342-65	IC CXD2560M	
IC302	8-752-343-01	IC CXD2561M (C910)	
IC302	8-752-344-10	IC CXD2561M-1 (C90ES)	
IC303	8-759-990-82	IC TL082CP	
IC304	8-759-900-72	IC NE5532P	
IC320	8-759-981-85	IC RC4556D	
IC401	8-759-630-21	IC M5290P-16	
IC411	8-759-605-43	IC M5231TL	
IC431	8-759-945-58	IC RC4558P	
IC501	8-759-153-76	IC uPD75512GF-085	
IC502	8-759-822-78	IC LC3564PML-1015	
IC503	8-759-240-69	IC TC4069UBP	
IC504	8-759-802-32	IC LB1649	
IC505	8-759-802-32	IC LB1649	
IC551	8-752-337-26	IC CXD2500AQ	
IC552	8-759-977-71	IC GP1F31T	
IC701	8-759-513-86	IC MSC62408-025GS-V1K	
IC751	8-741-100-48	IC SBX1610-59	

< JACK >

J301	* 1-569-443-11	JACK, PIN 4P (LINE OUT FIXED/VARIABLE) (C910)	
J301	1-569-443-21	JACK, PIN 4P (LINE OUT FIXED/VARIABLE) (C90ES)	
J351	1-568-519-21	JACK, LARGE TYPE (PHONES) (C910)	
J351	1-568-519-41	JACK, LARGE TYPE (PHONES) (C90ES)	

< COIL >

L301	1-408-403-00	INDUCTOR	3.3uH
------	--------------	----------	-------

Ref. No.	Part No.	Description	Remark
< LINK >			
PS401	△ 1-532-637-00	LINK, IC ICP-F25 (1.0A) (C910:AEP, E, AUS)	
PS402	△ 1-532-637-00	LINK, IC ICP-F25 (1.0A) (C910:AEP, E, AUS)	
< TRANSISTOR >			
Q101	8-729-141-30	TRANSISTOR 2SC3623A-LK	
Q102	8-729-141-30	TRANSISTOR 2SC3623A-LK	
Q103	8-729-231-55	TRANSISTOR 2SC2878-AB	
Q104	8-729-900-65	TRANSISTOR DTA144ES	
Q201	8-729-141-30	TRANSISTOR 2SC3623A-LK	
Q202	8-729-141-30	TRANSISTOR 2SC3623A-LK	
Q203	8-729-231-55	TRANSISTOR 2SC2878-AB	
Q204	8-729-900-65	TRANSISTOR DTA144ES	
Q301	8-729-900-65	TRANSISTOR DTA144ES	
Q302	8-729-900-89	TRANSISTOR DTC144ES	
Q303	8-729-900-61	TRANSISTOR DTA114ES (C90ES)	
Q401	8-729-111-67	TRANSISTOR 2SB1274-RS	
Q402	8-729-820-14	TRANSISTOR 2SD1913-RS	
Q411	8-729-900-65	TRANSISTOR DTA144ES	
Q412	8-729-900-89	TRANSISTOR DTC144ES	
Q413	8-729-900-89	TRANSISTOR DTC144ES	
Q414	8-729-900-89	TRANSISTOR DTC144ES	
Q431	8-729-821-73	TRANSISTOR 2SB1274SA-RS	
Q501	8-729-900-65	TRANSISTOR DTA144ES	
Q502	8-729-900-65	TRANSISTOR DTA144ES	
Q503	8-729-900-65	TRANSISTOR DTA144ES	
Q504	8-729-900-65	TRANSISTOR DTA144ES	
Q505	8-729-900-65	TRANSISTOR DTA144ES	
Q506	8-729-900-65	TRANSISTOR DTA144ES	
Q701	8-729-119-78	TRANSISTOR 2SC2785-HFE	
Q702	8-729-119-78	TRANSISTOR 2SC2785-HFE	
Q703	8-729-119-78	TRANSISTOR 2SC2785-HFE (C90ES)	
Q801	8-729-900-61	TRANSISTOR DTA114ES (C90ES)	
Q802	8-729-119-76	TRANSISTOR 2SA1175-HFE (C90ES)	
Q803	8-729-900-61	TRANSISTOR DTA114ES (C90ES)	

< RESISTOR >

R101	1-249-428-11	CARBON	8.2K	5%	1/4W
R102	1-249-428-11	CARBON	8.2K	5%	1/4W
R103	1-249-428-11	CARBON	8.2K	5%	1/4W
R104	1-249-428-11	CARBON	8.2K	5%	1/4W
R105	1-249-423-11	CARBON	3.3K	5%	1/4W
R106	1-249-423-11	CARBON	3.3K	5%	1/4W
R107	1-247-856-00	CARBON	11K	5%	1/4W
R108	1-247-856-00	CARBON	11K	5%	1/4W
R109	1-249-419-11	CARBON	1.5K	5%	1/4W
R110	1-249-419-11	CARBON	1.5K	5%	1/4W

The components identified by mark △ or dotted line with mark △ are critical for safety. Replace only with part number specified.

Les composants identifiés par une marque △ sont critiques pour la sécurité. Ne les remplacer que par une pièce portant le numéro spécifié.

MAIN

DISPLAY

POWER SW

RM

MOTOR VOL

H.P J

SIRCS

CONNECTOR

Ref. No.	Part No.	Description	Remark		
R111	1-247-887-00	CARBON	220K	5%	1/4W
R112	1-249-409-11	CARBON	220	5%	1/4W
R113	1-249-409-11	CARBON	220	5%	1/4W
R114	1-249-393-11	CARBON	10	5%	1/4W
R115	1-249-425-11	CARBON	4.7K	5%	1/4W
R116	1-249-425-11	CARBON	4.7K	5%	1/4W
R117	1-249-425-11	CARBON	4.7K	5%	1/4W
R118	1-249-441-11	CARBON	100K	5%	1/4W
R121	1-249-437-11	CARBON	47K	5%	1/4W
R122	1-249-433-11	CARBON	22K	5%	1/4W
R123	1-249-434-11	CARBON	27K	5%	1/4W
R124	1-247-881-00	CARBON	120K	5%	1/4W
R125	1-249-401-11	CARBON	47	5%	1/4W
R131	1-249-414-11	CARBON	560	5%	1/4W
R132	1-249-414-11	CARBON	560	5%	1/4W
R201	1-249-428-11	CARBON	8.2K	5%	1/4W
R202	1-249-428-11	CARBON	8.2K	5%	1/4W
R203	1-249-428-11	CARBON	8.2K	5%	1/4W
R204	1-249-428-11	CARBON	8.2K	5%	1/4W
R205	1-249-423-11	CARBON	3.3K	5%	1/4W
R206	1-249-423-11	CARBON	3.3K	5%	1/4W
R207	1-247-856-00	CARBON	11K	5%	1/4W
R208	1-247-856-00	CARBON	11K	5%	1/4W
R209	1-249-419-11	CARBON	1.5K	5%	1/4W
R210	1-249-419-11	CARBON	1.5K	5%	1/4W
R211	1-247-887-00	CARBON	220K	5%	1/4W
R212	1-249-409-11	CARBON	220	5%	1/4W
R213	1-249-409-11	CARBON	220	5%	1/4W
R214	1-249-393-11	CARBON	10	5%	1/4W
R215	1-249-425-11	CARBON	4.7K	5%	1/4W
R216	1-249-425-11	CARBON	4.7K	5%	1/4W
R217	1-249-425-11	CARBON	4.7K	5%	1/4W
R218	1-249-441-11	CARBON	100K	5%	1/4W
R221	1-249-437-11	CARBON	47K	5%	1/4W
R222	1-249-433-11	CARBON	22K	5%	1/4W
R223	1-249-434-11	CARBON	27K	5%	1/4W
R224	1-247-881-00	CARBON	120K	5%	1/4W
R225	1-249-401-11	CARBON	47	5%	1/4W
R231	1-249-414-11	CARBON	560	5%	1/4W
R232	1-249-414-11	CARBON	560	5%	1/4W
R301	1-249-417-11	CARBON	1K	5%	1/4W
R303	1-249-417-11	CARBON	1K	5%	1/4W
R304	1-249-417-11	CARBON	1K	5%	1/4W
R305	1-249-417-11	CARBON	1K	5%	1/4W
R306	1-249-417-11	CARBON	1K	5%	1/4W
R309	1-247-903-00	CARBON	1M	5%	1/4W
R310	1-249-417-11	CARBON	1K	5%	1/4W
R311	1-249-441-11	CARBON	100K	5%	1/4W
R401	1-249-425-11	CARBON	4.7K	5%	1/4W

Ref. No.	Part No.	Description	Remark		
R402	1-249-425-11	CARBON	4.7K	5%	1/4W
R403	1-249-423-11	CARBON	3.3K	5%	1/4W
R411	1-247-874-11	CARBON	62K	5%	1/4W
R412	1-249-423-11	CARBON	3.3K	5%	1/4W
R413	1-249-433-11	CARBON	22K	5%	1/4W
R421	1-249-413-11	CARBON	470	5%	1/4W
R431	1-249-425-11	CARBON	4.7K	5%	1/4W
R432	1-249-429-11	CARBON	10K	5%	1/4W
R433	1-249-413-11	CARBON	470	5%	1/4W
R434	1-249-425-11	CARBON	4.7K	5%	1/4W
R435	1-249-410-11	CARBON	270	5%	1/4W
R436	1-249-429-11	CARBON	10K	5%	1/4W
R501	1-249-433-11	CARBON	22K	5%	1/4W
R502	1-249-433-11	CARBON	22K	5%	1/4W
R503	1-249-411-11	CARBON	330	5%	1/4W
R504	1-249-417-11	CARBON	1K	5%	1/4W
R505	1-249-433-11	CARBON	22K	5%	1/4W
R506	1-249-417-11	CARBON	1K	5%	1/4W
R507	1-249-399-11	CARBON	33	5%	1/4W
R508	1-249-433-11	CARBON	22K	5%	1/4W
R509	1-249-433-11	CARBON	22K	5%	1/4W
R510	1-249-433-11	CARBON	22K	5%	1/4W
R511	1-249-433-11	CARBON	22K	5%	1/4W
R512	1-249-437-11	CARBON	47K	5%	1/4W
R513	1-247-891-00	CARBON	330K	5%	1/4W
R514	1-249-437-11	CARBON	47K	5%	1/4W
R515	1-247-891-00	CARBON	330K	5%	1/4W
R516	1-249-437-11	CARBON	47K	5%	1/4W
R517	1-247-891-00	CARBON	330K	5%	1/4W
R518	1-249-433-11	CARBON	22K	5%	1/4W
R520	1-249-433-11	CARBON	22K	5%	1/4W
R521	1-249-433-11	CARBON	22K	5%	1/4W
R522	1-249-429-11	CARBON	10K	5%	1/4W
R523	1-249-433-11	CARBON	22K	5%	1/4W
R524	1-249-433-11	CARBON	22K	5%	1/4W
R551	1-249-411-11	CARBON	330	5%	1/4W
R552	1-249-429-11	CARBON	10K	5%	1/4W
R553	1-249-441-11	CARBON	100K	5%	1/4W
R554	1-249-429-11	CARBON	10K	5%	1/4W
R555	1-249-423-11	CARBON	3.3K	5%	1/4W
R556	1-249-423-11	CARBON	3.3K	5%	1/4W
R557	1-249-417-11	CARBON	1K	5%	1/4W
R558	1-249-429-11	CARBON	10K	5%	1/4W
R559	1-249-429-11	CARBON	10K	5%	1/4W
R560	1-249-429-11	CARBON	10K	5%	1/4W
R561	1-249-417-11	CARBON	1K	5%	1/4W
R562	1-249-417-11	CARBON	1K	5%	1/4W
R563	1-249-417-11	CARBON	1K	5%	1/4W
R571	1-249-393-11	CARBON	10	5%	1/4W (C90ES)

MAIN **DISPLAY** **POWER SW** **RM** **MOTOR VOL** **H.P J**
SIRCS **CONNECTOR**

Ref. No.	Part No.	Description	Remark
R572	1-249-393-11	CARBON 10 5%	1/4W (C90ES)
R701	1-247-903-00	CARBON 1M 5%	1/4W
R702	1-249-433-11	CARBON 22K 5%	1/4W
R703	1-249-433-11	CARBON 22K 5%	1/4W
R704	1-249-441-11	CARBON 100K 5%	1/4W
R705	1-249-441-11	CARBON 100K 5%	1/4W
R706	1-249-406-11	CARBON 120 5%	1/4W
R707	1-249-410-11	CARBON 270 5%	1/4W
R708	1-249-429-11	CARBON 10K 5%	1/4W
R709	1-249-429-11	CARBON 10K 5%	1/4W
R710	1-249-429-11	CARBON 10K 5%	1/4W
R711	1-249-429-11	CARBON 10K 5%	1/4W
R712	1-249-429-11	CARBON 10K 5%	1/4W
R713	1-249-409-11	CARBON 220 5%	1/4W (C90ES)
R714	1-249-409-11	CARBON 220 5%	1/4W (C90ES)
R715	1-249-409-11	CARBON 220 5%	1/4W (C90ES)
R716	1-249-429-11	CARBON 10K 5%	1/4W (C90ES)
R717	1-249-429-11	CARBON 10K 5%	1/4W (C90ES)
R718	1-249-429-11	CARBON 10K 5%	1/4W (C90ES)
R801	1-249-429-11	CARBON 10K 5%	1/4W (C90ES)
R802	1-249-429-11	CARBON 10K 5%	1/4W (C90ES)
R803	1-249-393-11	CARBON 10 5%	1/4W (C90ES)
< VARIABLE RESISTOR >			
RV351	1-241-576-11	RES. VAR. CARBON 10K/10K/10K (PHONE LEVEL/LINE OUT LEVEL)	
< RELAY >			
RY101	1-515-803-11	RELAY (C90ES)	
RY201	1-515-803-11	RELAY (C90ES)	
< SWITCH >			
S401	△ 1-571-722-11	SWITCH, VOLTAGE SELECTION (VOLTAGE SELECTOR) (C910:E)	
S501	1-570-815-21	SWITCH, SLIDE (MODE) (C90ES)	
S701	1-554-303-21	SWITCH, TACTILE (DISC 1)	
S702	1-554-303-21	SWITCH, TACTILE (DISC 2)	
S703	1-554-303-21	SWITCH, TACTILE (DISC 3)	
S704	1-554-303-21	SWITCH, TACTILE (DISC 4)	
S705	1-554-303-21	SWITCH, TACTILE (DISC 5)	
S706	1-554-303-21	SWITCH, TACTILE (DISC 6)	
S707	1-554-303-21	SWITCH, TACTILE (DISC 7)	
S708	1-554-303-21	SWITCH, TACTILE (DISC 8)	
S709	1-554-303-21	SWITCH, TACTILE (DISC 9)	
S710	1-554-303-21	SWITCH, TACTILE (DISC 10)	

Ref. No.	Part No.	Description	Remark
S711	1-554-303-21	SWITCH, TACTILE (1)	
S712	1-554-303-21	SWITCH, TACTILE (2)	
S713	1-554-303-21	SWITCH, TACTILE (3)	
S714	1-554-303-21	SWITCH, TACTILE (4)	
S715	1-554-303-21	SWITCH, TACTILE (5)	
S716	1-554-303-21	SWITCH, TACTILE (6)	
S717	1-554-303-21	SWITCH, TACTILE (7)	
S718	1-554-303-21	SWITCH, TACTILE (8)	
S719	1-554-303-21	SWITCH, TACTILE (9)	
S720	1-554-303-21	SWITCH, TACTILE (10)	
S721	1-554-303-21	SWITCH, TACTILE (DISK SKIP)	
S722	1-554-303-21	SWITCH, TACTILE (>10)	
S723	1-554-303-21	SWITCH, TACTILE (CONTINUE)	
S724	1-554-303-21	SWITCH, TACTILE (SHUFFLE)	
S725	1-554-303-21	SWITCH, TACTILE (PROGRAM)	
S726	1-554-303-21	SWITCH, TACTILE (BANK)	
S727	1-554-303-21	SWITCH, TACTILE (EJECT)	
S728	1-554-303-21	SWITCH, TACTILE (PLAY)	
S729	1-554-303-21	SWITCH, TACTILE (PAUSE)	
S730	1-554-303-21	SWITCH, TACTILE (STOP)	
S731	1-554-303-21	SWITCH, TACTILE (SEARCH REC)	
S732	1-554-303-21	SWITCH, TACTILE (SEARCH FWD)	
S733	1-554-303-21	SWITCH, TACTILE (AMS REW)	
S734	1-554-303-21	SWITCH, TACTILE (AMS FF)	
S735	1-554-303-21	SWITCH, TACTILE (P. SEARCH)	
S736	1-554-303-21	SWITCH, TACTILE (FADER)	
S737	1-554-303-21	SWITCH, TACTILE (TIME/MEMO)	
S738	1-554-303-21	SWITCH, TACTILE (REPEAT)	
S739	1-554-303-21	SWITCH, TACTILE (CHECK)	
S740	1-554-303-21	SWITCH, TACTILE (CLEAR)	
S741	1-554-303-21	SWITCH, TACTILE (FILE)	
S742	1-554-303-21	SWITCH, TACTILE (ERASE)	
S743	1-554-303-21	SWITCH, TACTILE (MUSIC SCAN)	
S744	1-554-303-21	SWITCH, TACTILE (EDIT)	
S745	1-554-303-21	SWITCH, TACTILE (LEVEL FILE)	
S751	1-572-714-11	SWITCH, PUSH (POWER)	
S752	1-570-974-11	SWITCH, SLIDE (TIMER)	
< TRANSFORMER >			
T901	△ 1-450-614-11	TRANSFORMER, POWER (910:US, Canadian/C90ES)	
T901	△ 1-450-615-11	TRANSFORMER, POWER (910:AEP, AUS)	
T901	△ 1-450-616-11	TRANSFORMER, POWER (910:E)	
< CRYSTAL >			
X301	1-567-965-11	VIBRATOR, CRYSTAL (22.5MHz)	
X501	1-577-101-11	VIBRATOR, CERAMIC (4.19MHz)	
X701	1-577-101-11	VIBRATOR, CERAMIC (4.19MHz)	

<p>The components identified by mark △ or dotted line with mark △ are critical for safety. Replace only with part number specified.</p>	<p>Les composants identifiés par une marque △ sont critiques pour la sécurité. Ne les remplacer que par une pièce portant le numéro spécifié.</p>
---	---

M1 MOTOR

M2 MOTOR

M3 MOTOR

RELAY

S0 SWITCH

S1 SWITCH

S2 SWITCH

S3 SWITCH

Ref.No.	Part No.	Description	Remark
	* 1-640-364-11	M1 MOTOR BOARD ***** < CAPACITOR >	
C601	1-136-165-00	FILM 0.1uF 5% 50V < MOTOR >	
M601	A-4608-356-A	MOTOR ASSY, M1 (PACK EJECT/LEVER OUT) *****	
	* 1-640-373-11	M2 MOTOR BOARD ***** < CAPACITOR >	
C602	1-136-165-00	FILM 0.1uF 5% 50V < CONNECTOR >	
CN603	* 1-568-848-11	SOCKET, CONNECTOR 5P	
CNP602	* 1-564-495-11	PIN, CONNECTOR 2P < MOTOR >	
M602	A-4608-360-A	MOTOR ASSY, M2 (SAVE/LOAD) *****	
	* 1-640-365-11	M3 MOTOR BOARD ***** < CAPACITOR >	
C603	1-136-165-00	FILM 0.1uF 5% 50V < MOTOR >	
M603	A-4608-358-A	MOTOR ASSY, M3 (ELEVATOR UP/DOWN) *****	
	* 1-640-369-11	RELAY BOARD ***** < CONNECTOR >	
CN610	* 1-568-858-11	SOCKET, CONNECTOR 15P	
CN611	* 1-568-848-11	SOCKET, CONNECTOR 5P	
CNP601	* 1-564-495-11	PIN, CONNECTOR 2P	
CNP605	* 1-564-497-11	PIN, CONNECTOR 4P	
CNP610	* 1-564-496-11	PIN, CONNECTOR 3P	

Ref.No.	Part No.	Description	Remark
		< CIRCUIT BLOCK >	
CP601	1-239-141-11	COMPOSITION CIRCUIT BLOCK < TRANSISTOR >	
Q602	8-729-904-10	TRANSISTOR PT360FS	
Q603	8-729-904-10	TRANSISTOR PT360FS *****	
	* 1-640-372-11	S0 SWITCH BOARD ***** < CONNECTOR >	
CNP606	* 1-564-495-11	PIN, CONNECTOR 2P	
CNP607	* 1-564-495-11	PIN, CONNECTOR 2P < SWITCH >	
S601	1-554-205-00	SWITCH, PUSH (EJECT) *****	
	* 1-640-371-11	S1 SWITCH BOARD ***** < SWITCH >	
S602	1-554-205-00	SWITCH, PUSH (RST) *****	
	* 1-640-368-11	S2 SWITCH BOARD ***** < CONNECTOR >	
CNP608	* 1-564-336-71	PIN, CONNECTOR 2P < SWITCH >	
S603	1-554-205-00	SWITCH, PUSH (LOT) *****	
	* 1-640-366-11	S3 SWITCH BOARD ***** < CONNECTOR >	
CNP609	* 1-564-336-81	PIN, CONNECTOR 2P < SWITCH >	
S604	1-554-205-00	SWITCH, PUSH (HOME)	

S4 SWITCH

Ref.No.	Part No.	Description	Remark
	* 1-640-374-11	S4 SWITCH BOARD *****	
		< SWITCH >	
S605	1-570-886-11	SWITCH, MICRO (LOAD IN DET)	

		MISCELLANEOUS *****	
9	1-575-218-11	WIRE, FLAT TYPE (17 CORE)	
10	1-690-113-11	WIRE, FLAT TYPE (15 CORE)	
53	1-575-664-11	WIRE, FLAT TYPE (15 CORE)	
54	1-535-944-11	JUMPER, FILM (WITH TERMINAL)	
55	1-690-114-11	WIRE, FLAT TYPE (7 CORE) (C90ES)	
59	△ 1-574-358-31	CORD, POWER (WITH CONNECTOR) (910:AUS)	
59	△ 1-575-651-21	CORD, POWER (910:AEP)	
59	△ 1-575-653-21	CORD, POWER (910:E)	
59	△ 1-590-926-11	CORD, POWER (910:US, Canadian/C90ES)	
60	△ 1-569-007-11	ADAPTER, CONVERSION 2P (910:E)	
63	1-590-031-11	WIRE, FLAT TYPE (5 CORE) (C90ES)	
199	1-690-115-11	WIRE, FLAT TYPE	
251	8-848-144-11	PICK-UP, OPTICAL KSS-240A	
252	1-575-001-11	WIRE, FLAT TYPE (12 CORE)	
M101	X-4917-504-1	MOTOR ASSY (SLED)	
M102	X-4917-523-3	MOTOR ASSY (SPINDLE)	
M601	A-4608-356-A	MOTOR ASSY, M1 (PACK EJECT/LEVER OUT)	
M602	A-4608-360-A	MOTOR ASSY, M2 (SAVE/LOAD)	
M603	A-4608-358-A	MOTOR ASSY, M3 (ELEVATOR UP/DOWN)	

The components identified by mark **△** or dotted line with mark **△** are critical for safety. Replace only with part number specified.

Les composants identifiés par une marque **△** sont critiques pour la sécurité. Ne les remplacer que par une pièce portant le numéro spécifié.

Ref.No.	Part No.	Description	Remark
		ACCESSORY & PACKING MATERIAL *****	
	1-465-731-11	REMOTE COMMANDER (RM-D900) (C90ES) (including \$)	
	1-465-732-11	REMOTE COMMANDER (RM-D910) (C910) (including \$)	
	1-558-233-11	CORD (WITH CONNECTOR) (SIRCS) 4P (C90ES)	
	1-559-533-11	CORD, CONNECTION	
\$	3-707-584-11	COVER, BATTERY	
	3-753-610-11	MANUAL, INSTRUCTION (ENGLISH, FRENCH, SPANISH, PORTUGUESE) (C910:Canadian, AEP, E)	
	3-753-610-21	MANUAL, INSTRUCTION (ENGLISH) (C910:US, AUS)	
	3-753-610-41	MANUAL, INSTRUCTION (GERMAN, DUTCH, SWEDISH, ITALIAN) (C910:AEP)	
	3-753-611-21	MANUAL, INSTRUCTION (ENGLISH, FRENCH) (C90ES)	
	4-847-802-00	SCREW (C90ES)	
*	4-885-838-00	LABEL, CLASS 1 (C910:AEP, E, AUS)	
*	4-946-352-01	INDIVIDUAL CARTON (C910)	
*	4-946-353-01	INDIVIDUAL CARTON (C90ES)	
*	4-946-354-01	CUSHION (UPPER)	
*	4-946-355-01	CUSHION (LOWER)	
	7-685-103-19	SCREW +P 2X5 TYPE2 NON-SLIT	
	7-685-105-19	TAPPING +P 2X8 NON-SLIT	
	A-4675-162-B	MAGAZINE ASSY	
	J-609-001-3A	CORD (WITH CONNECTOR) (C90ES)	

HARDWARE LIST

# 1	7-621-773-93	SCREW (PANEL 2.6 TP2)
# 2	7-685-646-79	SCREW +BVTP 3X8 TYPE2 N-S
# 3	7-682-547-04	SCREW +BVTT 3X6 (S)
# 4	7-682-548-09	SCREW +BVTT 3X8 (S)
# 5	7-682-245-09	SCREW +K 3X4
# 6	7-685-103-19	SCREW +P 2X5 TYPE2 N-S
# 7	7-621-775-00	SCREW +B 2.6X3
# 8	7-685-868-01	SCREW +BVTT 2.6X20 (S)
# 9	7-682-548-04	SCREW +BVTT 3X8 (S)
#10	7-621-255-25	SCREW +BVTT 2X4 (S)
#11	7-621-773-87	SCREW +BVTT 2.6X10 (S)
#12	7-621-775-68	SCREW +BVTT 2.6X12 (S)
#13	7-688-002-03	W 2.6, SMALL
#14	7-624-105-04	STOP RING 2.3, TYPE -E
#15	7-627-553-78	SCREW, PRECISION +P 2X10
#16	7-621-772-00	SCREW +B 2X3
#17	7-685-134-19	SCREW +BTP 2.6X8 TYPE2 N-S
#18	7-621-255-15	SCREW +P 2X3
#19	7-682-547-09	SCREW +B 3X6

CDP-C90ES / C910

SONY[®] SERVICE MANUAL

US Model
Canadian Model
CDP-C90ES

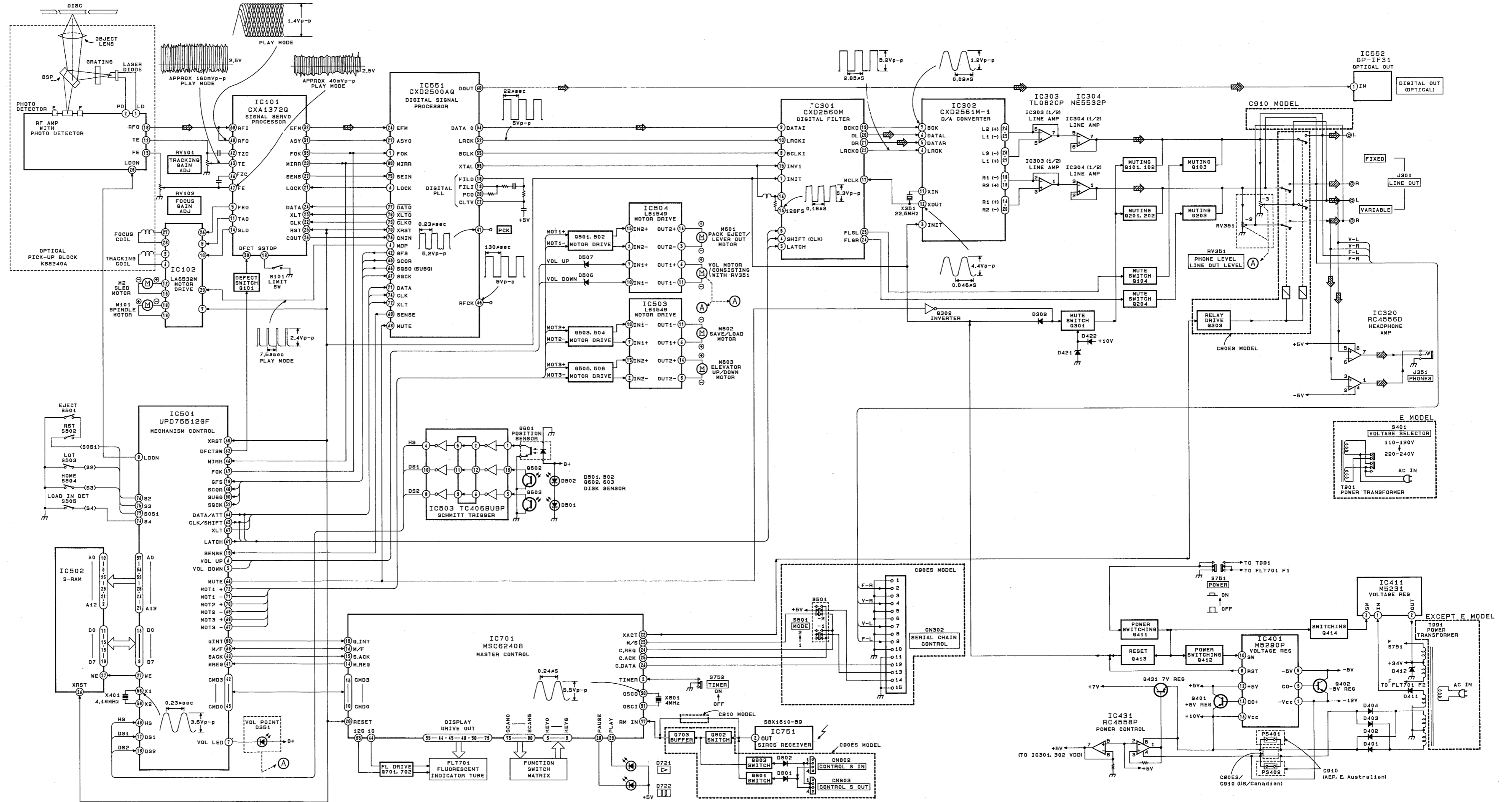
US Model
Canadian Model
AEP Model
E Model
Australian Model
CDP-C910

SUPPLEMENT-1

File this supplement with the service manual.

Block Diagram

BLOCK DIAGRAM



CDP-C90ES / C910

SONY SERVICE MANUAL

*US Model
Canadian Model
CDP-C90ES*

*US Model
Canadian Model
AEP Model
E Model
Australian Model
CDP-C910*

SUPPLEMENT-2

File this supplement with the service manual.

Subject : CDP-C90ES US model disuse the side panel.

• Difference Parts

Page	Ref.No.	Part No.	Description
24	19	4-847-802-00	SCREW, CASE STOPPER (C90ES : US)
36	—	* 4-946-352-21	INDIVIDUAL CARTON (C90ES : US)

CDP-C90ES/C910

SONY SERVICE MANUAL


*US Model
Canadian Model
CDP-C90ES*

*US Model
Canadian Model
AEP Model
E Model
Australian Model
CDP-C910*

CORRECTION-1

Correct your service manual as shown below.

 : indicates corrected portion.

Page	INCORRECT			CORRECT	
	<u>No.</u>	<u>Part No.</u>	<u>Description</u>	<u>Part No.</u>	<u>Description</u>
25	53	1-575-664-11	WIRE, FLAT TYPE (15 CORE)	 <u>1-690-113-11</u>	WIRE, FLAT TYPE (15 CORE)