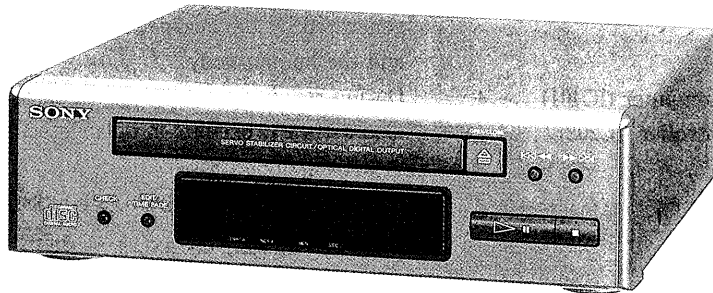


CDP-H6700

SERVICE MANUAL

AEP Model
UK Model



This set is the CD player section
in MHC-6700.

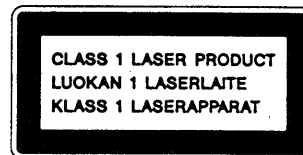
Model Name Using Similar Mechanism	CDP-H3700
CD Mechanism Type	CDM13BA-5BD3
Optical Pick-Up Block Type	BU-5BD3

SPECIFICATIONS

System	Compact disc digital audio system
Laser	Semiconductor laser ($\lambda = 780 \text{ nm}$) Emission duration: continuous
Laser output	Max. $44.6 \mu\text{W}^*$ * This output is the value measured at a distance of about 200 mm from the objective lens surface on the Optical Pick-up Block.

Design and specifications subject to change without notice.

For the United Kingdom and European countries.



This appliance is classified as a CLASS 1 LASER product. The CLASS 1 LASER PRODUCT label is located on the rear exterior.

SAFETY-RELATED COMPONENT WARNING!!

COMPONENTS IDENTIFIED BY MARK Δ OR DOTTED LINE WITH MARK Δ ON THE SCHEMATIC DIAGRAMS AND IN THE PARTS LIST ARE CRITICAL TO SAFE OPERATION. REPLACE THESE COMPONENTS WITH SONY PARTS WHOSE PART NUMBERS APPEAR AS SHOWN IN THIS MANUAL OR IN SUPPLEMENTS PUBLISHED BY SONY.

COMPACT DISC PLAYER
SONY[®]

TABLE OF CONTENTS

<u>Section</u>	<u>Title</u>	<u>Page</u>
1. GENERAL		
1-1.	Parts Identification	3
2. TEST MODES		
2-1.	Test Mode of Display Microcomputer (IC401)	4
2-2.	Test Mode of CD System Controller (IC202)	4
3. ELECTRICAL BLOCK CHECKING		5
4. DIAGRAMS		
4-1.	Pin Description	7
4-2.	Block Diagram	9
4-3.	Printed Wiring Boards	12
4-4.	Schematic Diagram	15
4-5.	Semiconductor Lead Layouts	22
5. EXPLODED VIEWS		
5-1.	Chassis	23
5-2.	CD Block (CDM13BA-5BD3)	24
5-3.	Optical Pick-Up Block (BU-5BD3)	25
6. ELECTRICAL PARTS LIST		26

NOTES ON HANDLING THE OPTICAL PICK-UP BLOCK OR BASE UNIT

The laser diode in the optical pick-up block may suffer electrostatic breakdown because of the potential difference generated by the charged electrostatic load, etc. on clothing and the human body.

During repair, pay attention to electrostatic breakdown and also use the procedure in the printed matter which is included in the repair parts.

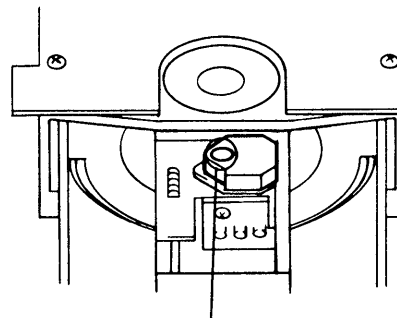
The flexible board is easily damaged and should be handled with care.

NOTES ON LASER DIODE EMISSION CHECK

The laser beam on this model is concentrated so as to be focused on the disc reflective surface by the objective lens in the optical pick-up block. Therefore, when checking the laser diode emission, observe from more than 30cm away from the objective lens.

LASER DIODE AND FOCUS SERCH OPERATION CHECK

1. Make POWER switch on with no disc inserted and disc table closed.
2. Confirm that the following operation is performed while observing the objective lens.

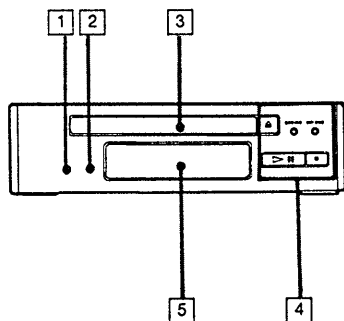


- Confirm that laser beam is spread.
- Up and down motion of the objective lens. (3 times)

SECTION 1 GENERAL

This section is extracted from
instruction manual.

1-1. PARTS IDENTIFICATION



- 1 CHECK button
- 2 EDIT/TIME FADE button
- 3 Disc tray
- 4 CD operation buttons
 - : OPEN/CLOSE
 - : Play/pause
 - : Manual search (when kept depressed) / Automatic Music Sensor (when pressed)
- 5 Display window

SECTION 2 TEST MODES


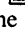
2-1. Test Mode of Display Microcomputer (IC401)

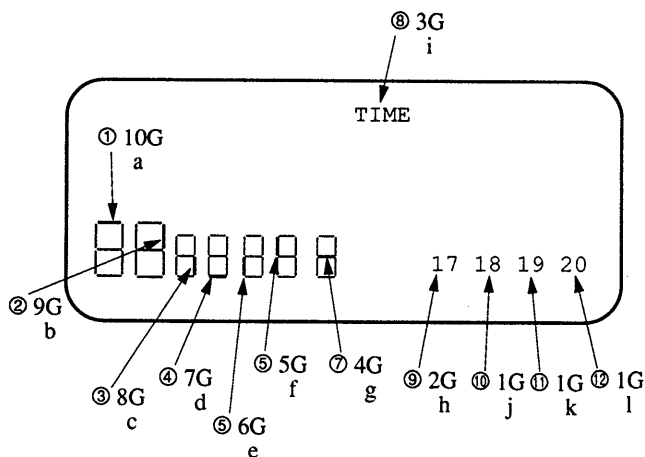
Connect Pin ③ of IC401 to ground and turn ON the POWER switch, thus you can test the following 3 tests.

(1) All FL tube ON


This mode is actuated immediately after turning ON the POWER switch.



(2) FL tube segment check

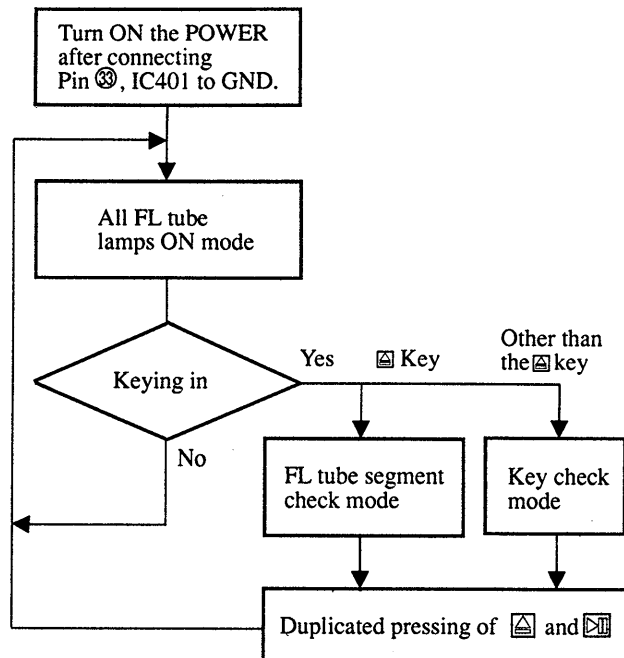
This mode is actuated by pressing the  key in the state of (1). Every time the  key is pressed, the segments are indicated sequentially from the segment a. When the last l segment is displayed, keying in is no longer accepted while continuing the lighting-up state of the last segment. Conditions are normal provided all lamps light up in the following order.



(3) KEY check

This mode is effected by pressing the  key in the state of (1), while indicating "1." Every time a new key is pressed subsequently, the indicated number is incremented. Conditions are normal provided "7" is indicated when all types of keys are pressed. Even if a key is pressed again, it is not counted.

* To leave the mode (2) or (3), press the  and  keys in duplication, thereby the mode returning to all ON mode.



2-2. Test Modes of CD System Controller (IC202)


(1) ADJUST mode

When this mode is effected, the machine is operated normally except for the following.

- When pin ⑩, IC201 (ADJ) is set to "L" after turning ON the POWER switch:
 1. GFS is no longer monitored during PLAY, PAUSE or SEARCH, while not stopping even with GFS remaining still at "L" (NG).
 2. No high-speed feeding is activated during SEARCH.
 3. Focus gain is reset to normal gain during PLAY (normally, the gain is lowered to reduce noise when FOCUS is locked).
- When Pin ⑪, IC201 (AFADJ) is set to "L" after turning ON the POWER switch:
 1. Regardless of Pin ⑩ (ADJ) of the CLV-S fixed function, the CLV mode during PLAY becomes CLV-S (rough servo) only while Pin e remains "L".

(2) AFADJUST mode

In this mode, it is possible to check the interface between the display micon (IC401) and CD syscon (IC201).

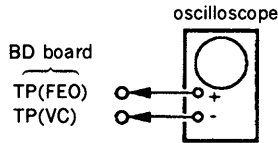
- Set Pin ⑪, IC201 (AFADJ) to "L" before turning ON the POWER switch.
 1. Every time the  key is pressed after turning On the POWER switch, indication on the FL tube is switched correspondingly. Conditions are normal provided the indication repeats the 4 patterns including all lamp ON.

SECTION 3 ELECTRICAL BLOCK CHECKING

Note :

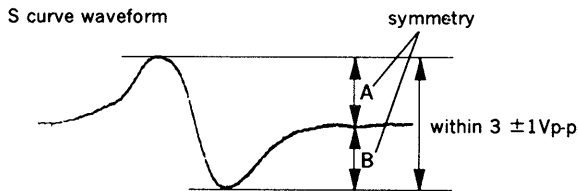
1. CD Block basically constructed to operate without adjustment. Therefore, check each item in order given.
2. Use YEDS-18 disc (3-702-101-01) unless otherwise indicated.
3. Use the oscilloscope with more than $10M\Omega$ impedance.
4. Clean an object lens by an applicator with neutral detergent when the signal level is low than specified value with the following checks.

S Curve Check



Procedure :

1. Connect oscilloscope to test point TP (FEO) on BD board.
2. Connect between test point TP (FES) and TP (VC) by lead wire.
3. Turned Power switch on and actuate the focus serch. (actuate the focus serch when disc table is moving in and out.)
4. Check the oscilloscope waveform (S curve) is symmetrical between A and B. And confirm peak to peak level within $3\pm 1V_{p-p}$.

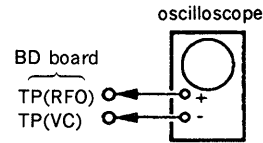


5. After check, remove the lead wire connected in step 2.

Note: • Try to measure several times to make sure that the ratio of A : B or B : A is more than 10 : 7.

- Take sweep time as long as possible and light up the brightness to obtain best waveform.

RF Level Check



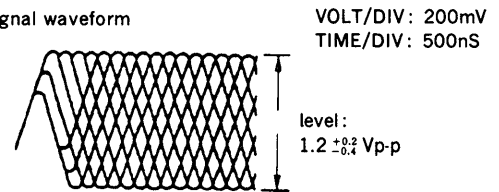
Procedure :

1. Connect oscilloscope to test point TP (RFO) on BD board.
2. Turn Power switch on.
3. Put disc (YEDS-18) in and playback.
4. Confirm that oscilloscope waveform is clear and check RF signal level is correct or not.

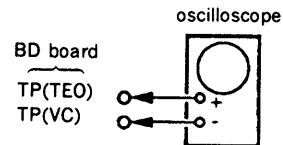
Note :

Clear RF signal waveform means that the shape “◇” can be clearly distinguished at the center of the waveform.

RF signal waveform

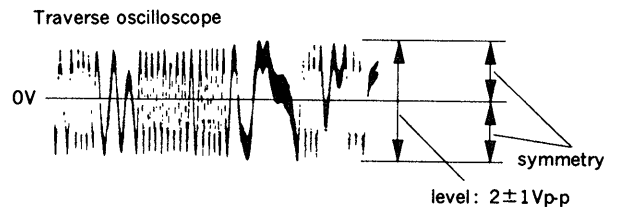


E-F Balance Check



Procedure :

1. Connect test point TP (ADJ) to ground and TP (TES) to TP (VC) with lead wire.
2. Connect oscilloscope to test point TP (TEO) on BD board.
3. Turn Power switch on.
4. Put disc (YEDS-18) in and playback.
5. Confirm that the oscilloscope waveform is symmetrical on the top and bottom in relation to 0V, and check this level.

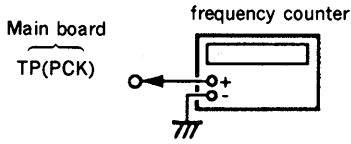


6. Remove the lead wire connected in step 1.

RF PLL Free-run Frequency Check

Procedure :

1. Connect frequency counter to test point (PCK) with lead wire.



2. Turn Power switch on.
3. Confirm that reading on frequency counter is 4.3218MHz.

Focus/Tracking Gain

This gain has a margin, so even if it is slightly off.

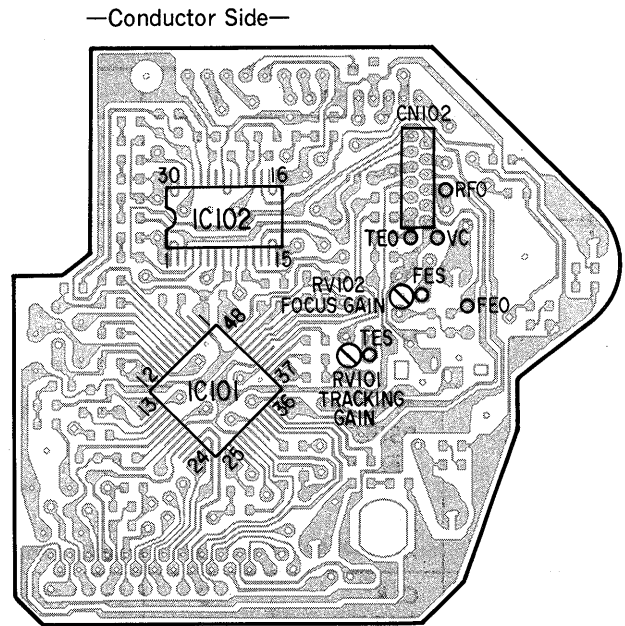
There is no problem.

Therefore, do not perform, this adjustment.

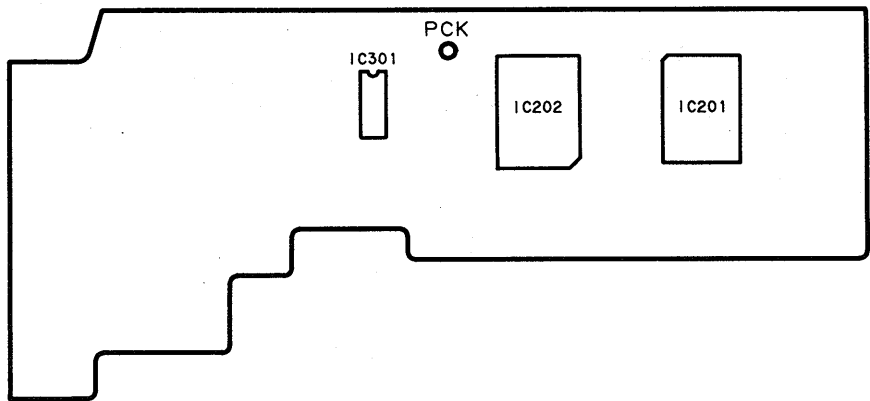
Please note that it should be fixed to mechanical center position when you moved and do not know original position.

Checking Location :

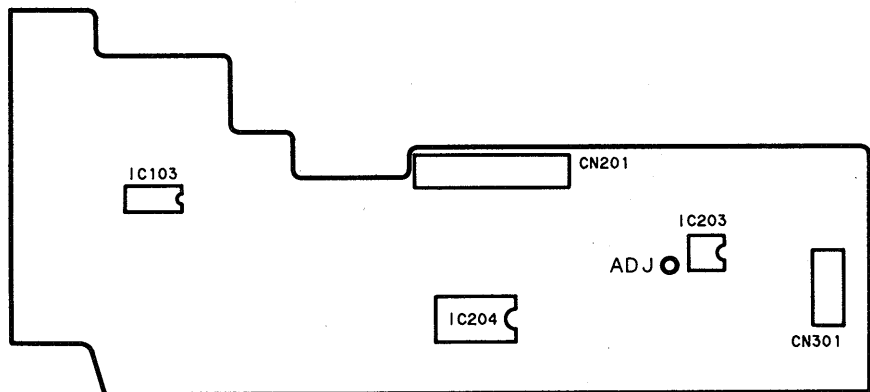
[BD Board]



[MAIN Board] —Component Side—



[MAIN Board] —Conductor Side—



SECTION 4 DIAGRAMS

4-1. PIN DESCRIPTION

• IC201 CD System Controller (μ PD75116GF-F21-3BE)

Functions effected by the captioned controller include IC101 (RF signal processing, servo), IC202 (DSP, digital filter) and loading control in the CD unit, data exchange with IC401 (display controller), audio bus entry, etc.

Pin No.	Pin Name	I/O	Description
1-2	G MUTE, GCLR	O	Not in use with the model (open).
3	DPCLK	O	Display data transfer clock output to IC401 (display micon)
4-6		O	IC204 (CXD2554M) control output.
7	RESET	I	System reset input. "L": Reset
8	X2	I	Clock input
9	X1	I	Clock input (4 MHz)
10	DFCT SW	O	DEFECT circuit ON/OFF switching output of IC101 (CXA1372Q). It is turned OFF ("H") to focus-search the DISC flaw detection circuit.
11	AMUTE	O	Muting control output. "H": Mute
12	BSOUT	O	Audio bus output
13	AFADJ	I	Test mode input. Various test operations are effected upon "L" after turning ON the POWER.
14	LDON	O	Optical pickup laser diode ON/OFF switching output. "H": ON
15	XLT	O	Serial data latch output to IC202 (CXD2500AQ)
16	CLK	O	Serial data transfer clock output to IC202 (CXD2500AQ)
17	DATA	O	Serial data output to IC202 (CXD2500AQ)
18	MODE	I	Not in use with the model (GND)
19	ADJ	I	Test mode input. Upon "L," GFS checking is disabled while continuously rotating the spindle no matter whether frame synch is issued during PLAY, PAUSE or SEARCH.
20	GFS	I	GFS signal input from IC202 (CXD2500AQ). "L": NG "H": OK
21	FOK	I	Focus OK signal input from IC101 (CXA1372Q). "H": OK
22 - 23		O	Not in use with the model (open)
24	LODOUT	O	Output to rotate M291 (loading motor) in the loading out direction. *1
25	LODIN	O	Output to rotate M291 (loading motor) in the loading in direction. *1
26	V _{ss}	-	Power terminal (GND)
27	IN SW	I	S292 (Loading in switch) input
28	OUT SW	I	S291 (Loading out switch) input
29	KEY REQ	I	Key data request input from IC401 (display controller)
30	BS IN	I	Audio bus input
31 - 36			Not in use with the model (GND)
37	SENS	I	SENS input from IC101 (CXA1372Q) and IC202 (CXD2500AQ)
38	TIMER	I	Not in use with the model (pull up)
39	D/F 16BIT	I	IC202 (CXD2500AQ) digital filter mode setting input. It is fixed at 16 bit, 4fs with the model (pull up).
40		I	Not in use with the model (GND)
41	SUBQ	I	Subcode Q data input from IC202 (CXD2500AQ)
42		O	Not in use with the model (open)
43	SQCLK	O	Subcode Q data readout clock output to IC202 (CXD2500AQ)
44	SCOR	I	Subcode sync S0 + S1 detection input from IC202 (CXD2500AQ)
45 - 56		O	Not in use with the model (open)
57	N.C.	I	Not in use with the model (+5V)
58	V _{DD}	-	Power terminal (+5V)
59 - 62	DPDATA3-0	I/O	Key data input and display data output with IC401 (display controller)
63 - 64		O	Not in use with the model (open)

*1 Loading motor control

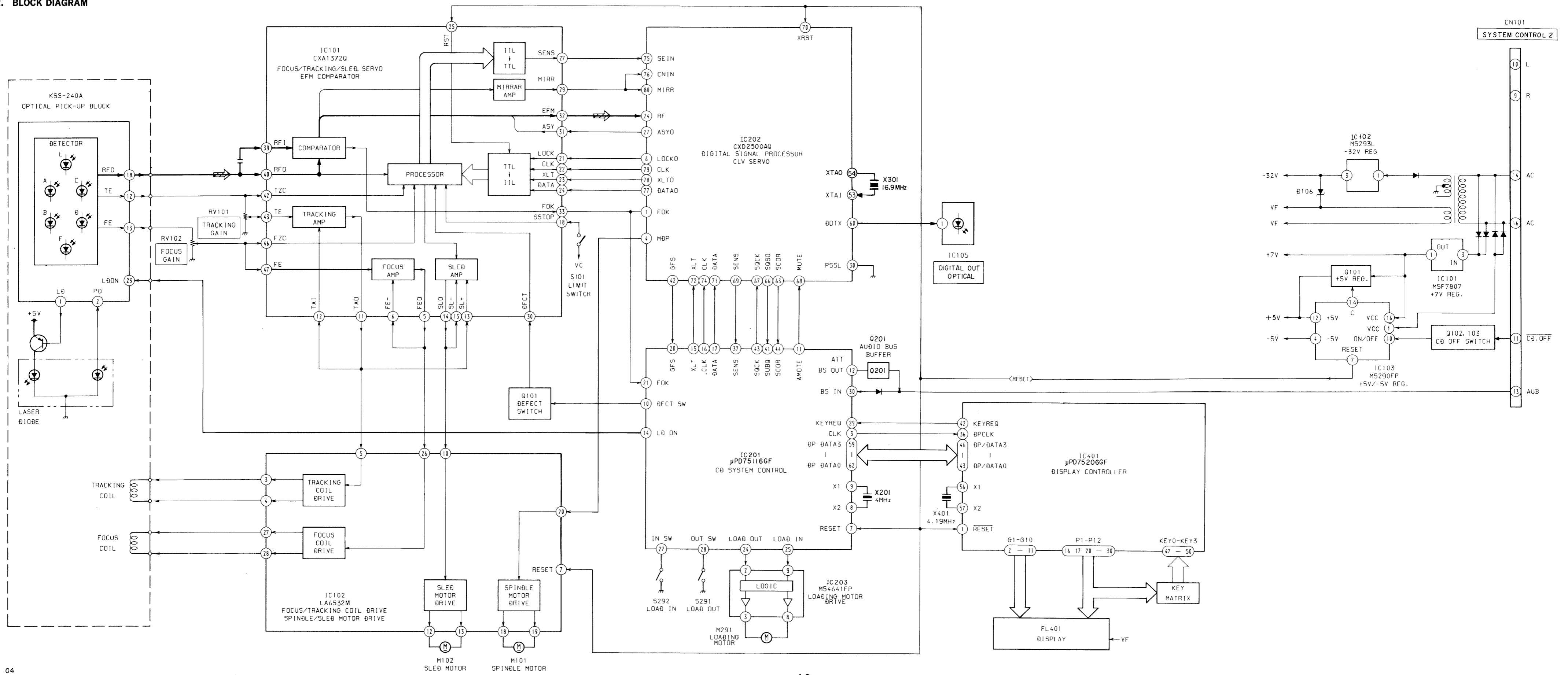
	IN	OUT	BRAKE
LODOUT ②	L	H	H
LODIN ②	H	L	H

• **IC401 Display controller (μ PD75206GF-716-3BE)**

In charge of displaying the FL tube and keying in, it exchanges data with the IC201 (CD system controller) in 4-bit parallel mode.

Pin No.	Pin Name	I/O	Description
1	$\overline{\text{RESET}}$	I	System reset input. "L": Reset
2 - 11	G1-10	O	Digital output to the FL tube
12 - 15		O	Not in use with the model (open)
16, 17	l, k	O	FL tube segment output
18	VLOAD	-	Power supply for the FL tube controller (builtin) (-32V)
19	VPRE	-	Power supply for the FL tube predriver (-3.5V)
20 - 25	j ~ e	O	FL tube segment output
26	VDD	-	Power terminal (+5V)
27, 28	d, c	O	FL tube segment output
29, 30	b, a	O	FL tube segment, key scan output
31, 32		I	Not in use with the model (GND)
33	$\overline{\text{TEST}}$	I	Test mode input. "L": Test mode
34	SELECT	I	Not in use with the model (pull up)
35	BSIN	I	Not in use with the model (pull up)
36	DPCLK	I	Display data transfer clock input from IC201 (CD system controller)
37, 38		I	Not in use with the model (pull up)
39		O	Not in use with the model (pull up)
40, 41		O	Not in use with the model (open)
42	KEY REQ	O	Key data request output to IC201 (CD system controller)
43 - 46	DPDATA0-3	I/O	Key data output and display data input with IC201 (CD system controller)
47 - 50	KEY0-3	I	Key data input
51, 52		I	Not in use with the model (pull up)
53, 54		I	Not in use with the model (GND)
55		O	Not in use with the model (open)
56	X1	I	System clock input (4.19 MHz)
57	X2	I	System clock input
58	Vss	-	Power supply terminal (GND)
59		I	Not in use with the model (GND)
60 - 64		O	Not in use with the model (open)

4-2. BLOCK DIAGRAM



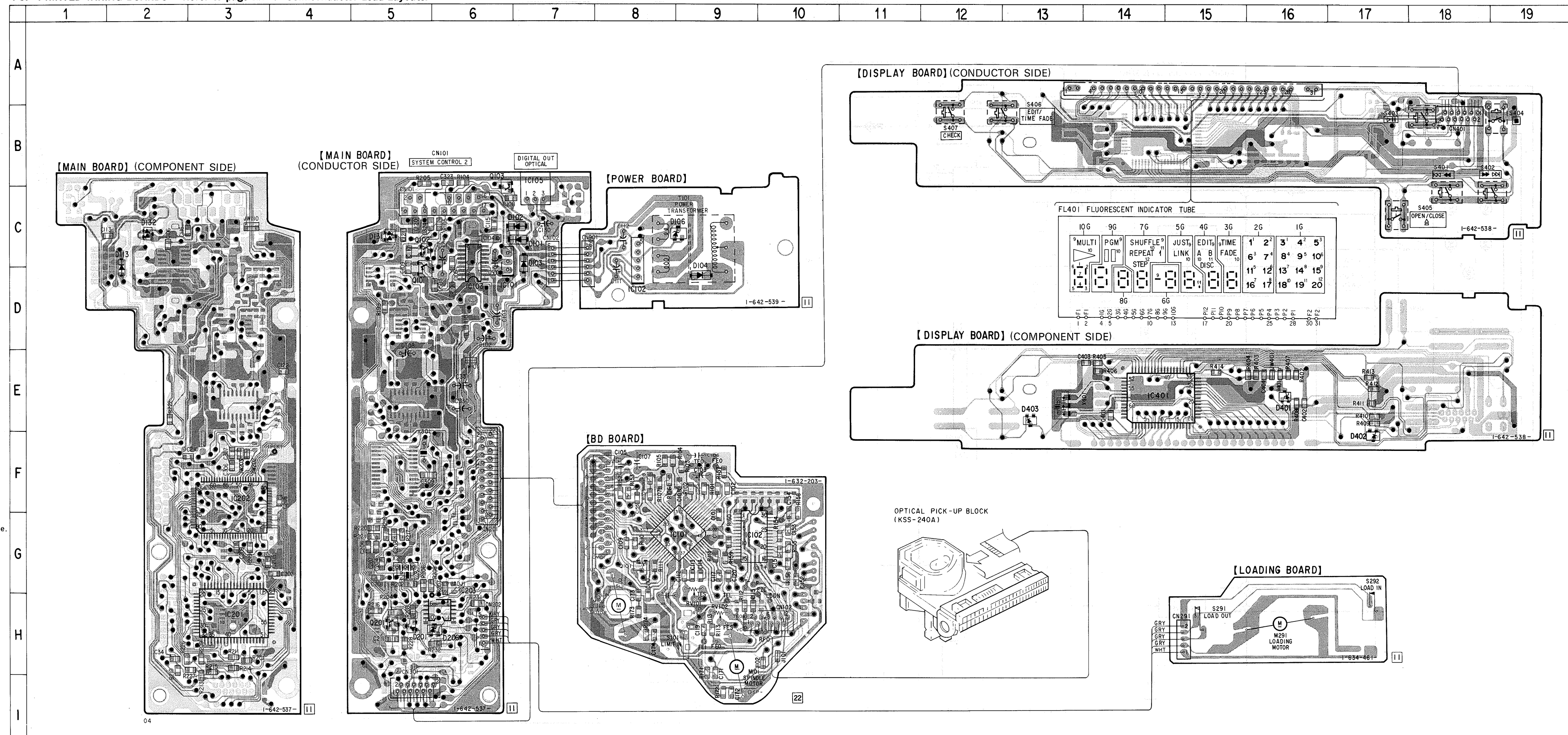
● Semiconductor Location
Except BD Board

Ref. No.	Location
D101	C-7
D102	C-6
D103	C-7
D104	D-9
D106	C-8
D113	C-2
D131	C-5
D132	C-2
D201	H-5
D206	H-6
D401	E-16
D402	F-17
D403	E-13
IC101	D-6
IC102	C-8
IC103	D-6
IC105	B-7
IC201	H-3
IC202	F-3
IC203	H-6
IC401	E-14
Q101	D-5
Q102	C-5
Q103	B-6
Q201	H-5

BD Board

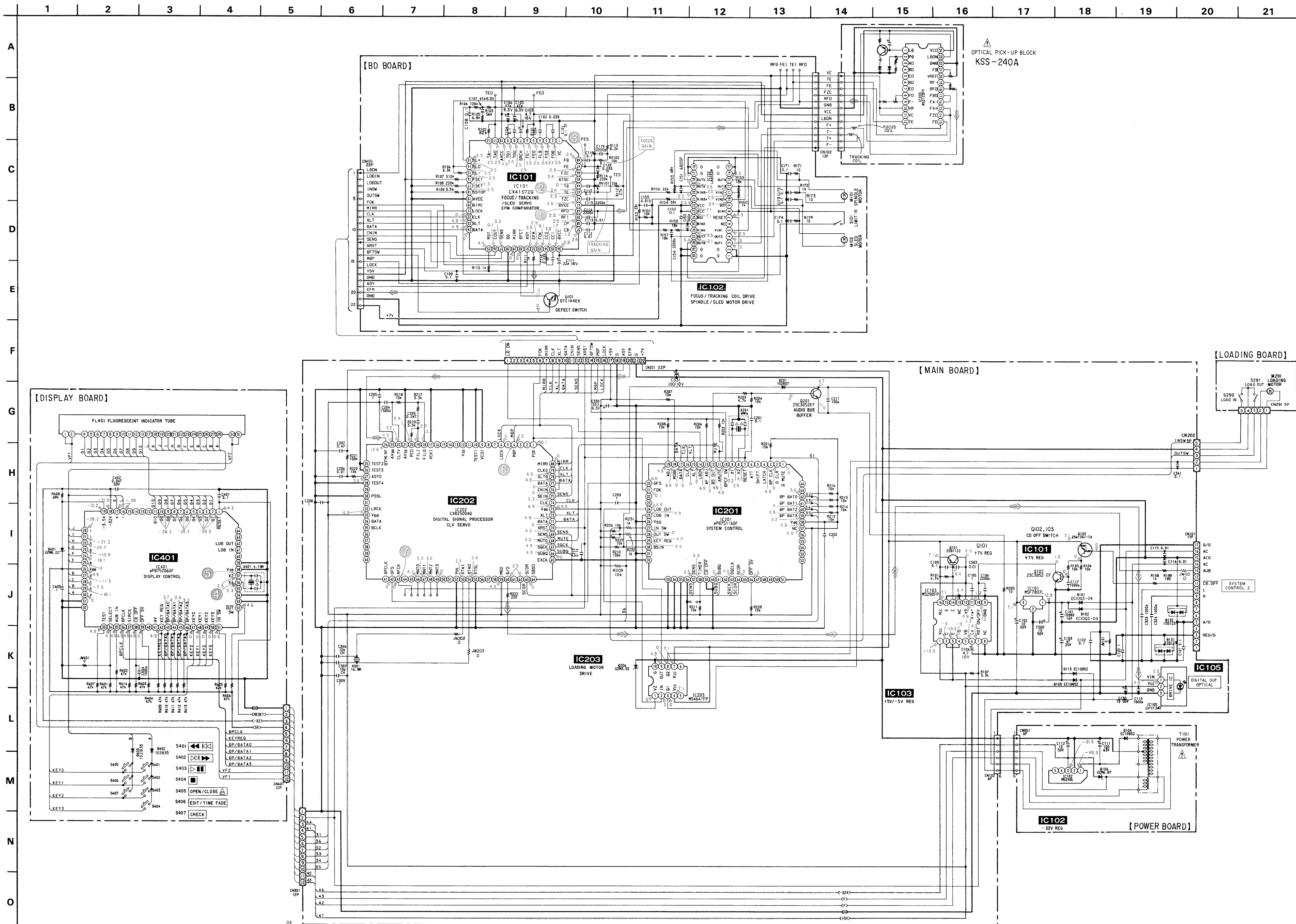
Ref. No.	Location
IC101	G-8
IC102	G-9
Q101	G-8

4-3. PRINTED WIRING BOARDS ● Refer to page 22 for Semiconductor Lead Layouts.

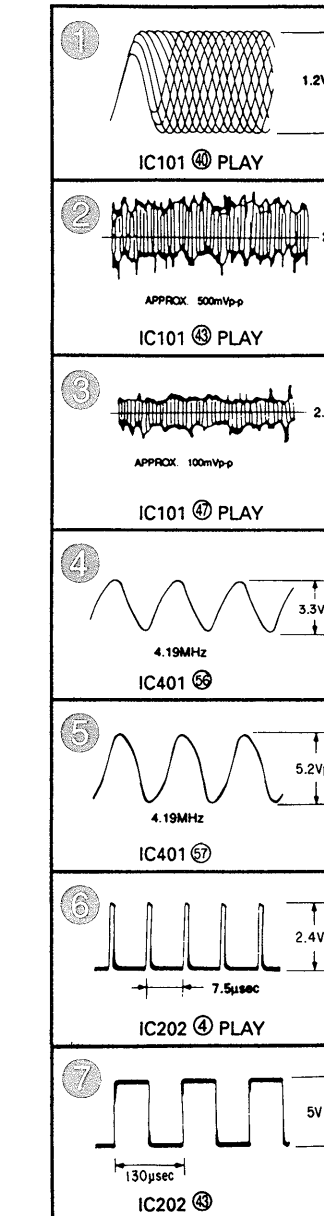


Note:

- : parts extracted from the component side.
- : Through hole.
- : Pattern on the side which is seen.
- : Pattern of the rear side.



• Waveforms



Note:

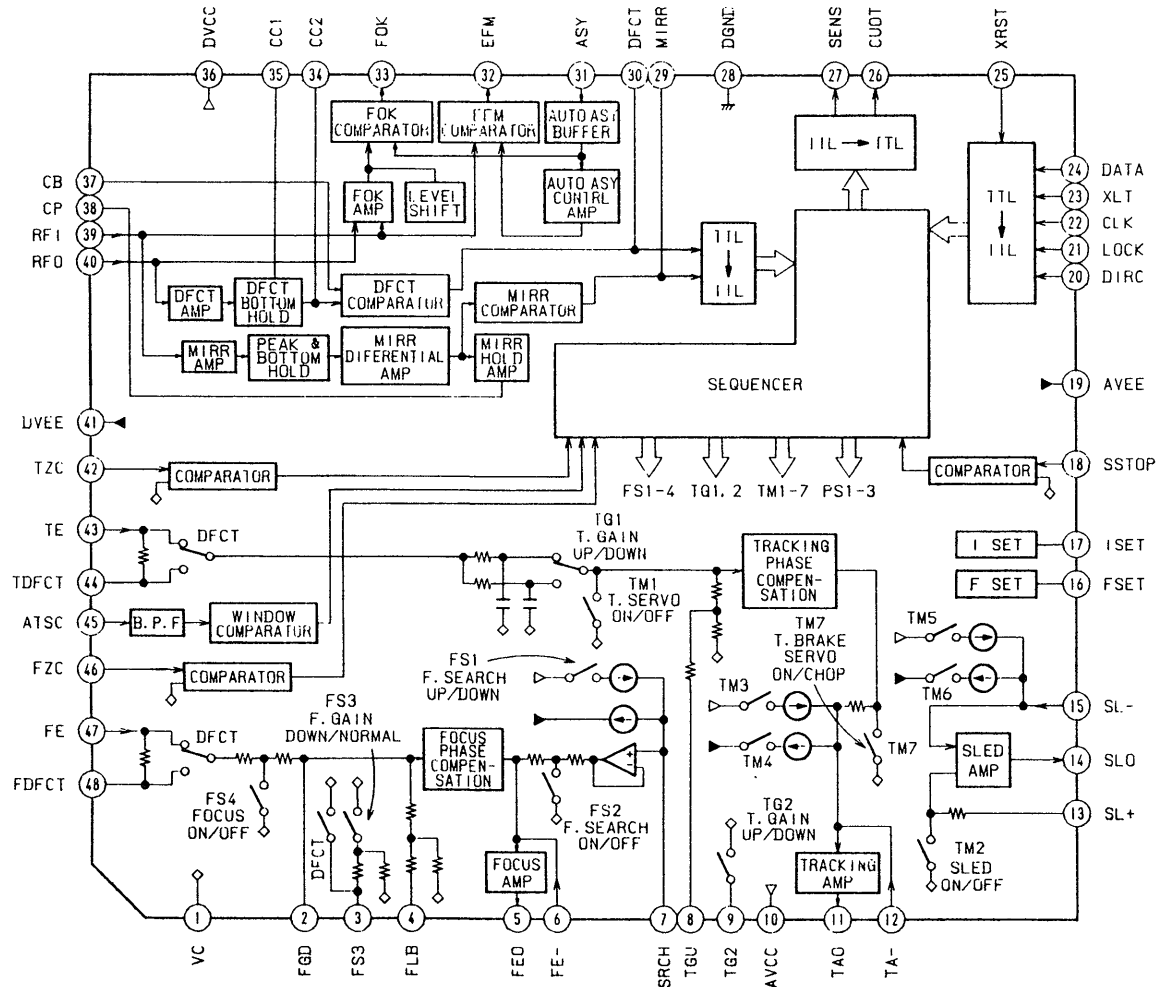
- All capacitors are in μF unless otherwise noted. $\text{pF} = \mu\text{F} / 100$ or less are not indicated except for electrolytics and tantalums.
- All resistors are in Ω and $1/4\text{W}$ or less unless otherwise specified.
- Δ : internal component.
- \square : nonflammable resistor.

Note: The components identified by mark Δ or dotted line with mark \square are critical for safety. Replace only with part number specified.

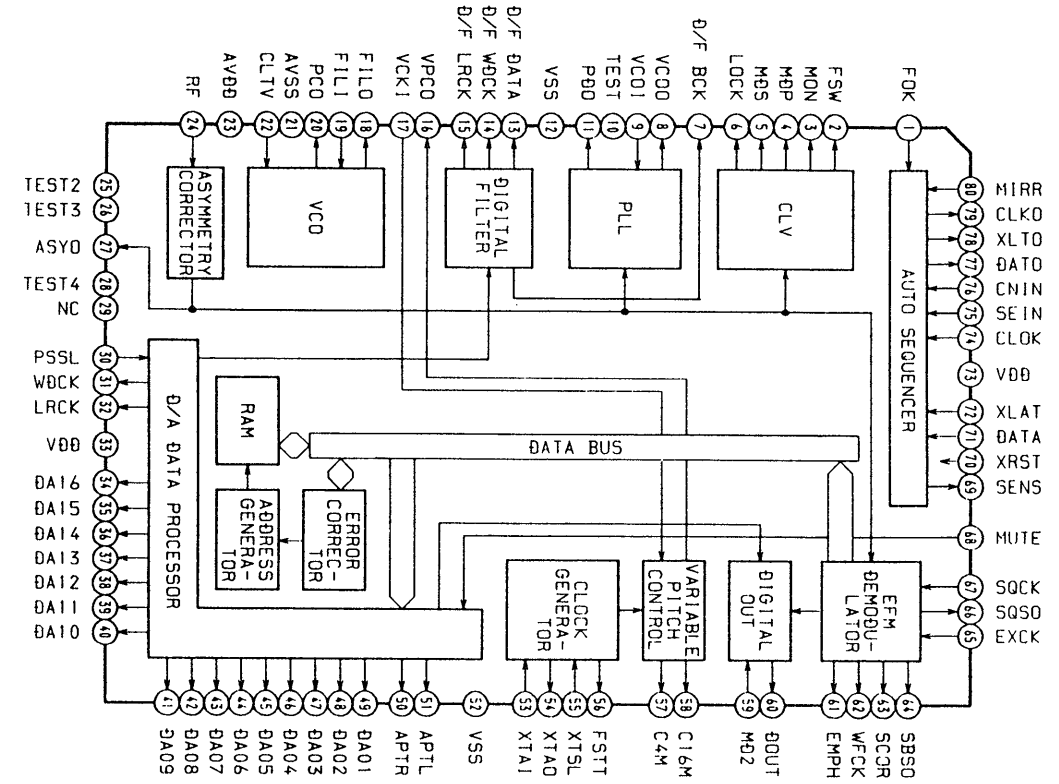
- : B+ Line
- ◊ : B- Line
- ◻ : adjustment for repair.
- Voltage and waveforms are dc with respect to ground under no-signal conditions. no mark : STOP
- Voltages are taken with a VOM (Input impedance 10M Ω). Voltage variations may be noted due to normal production tolerances.
- Waveforms are taken with an oscilloscope. Voltage variations may be noted due to normal production tolerances.
- Circled numbers refer to waveforms.
- Signal path.
- ◻ : CD

• IC Block Diagrams

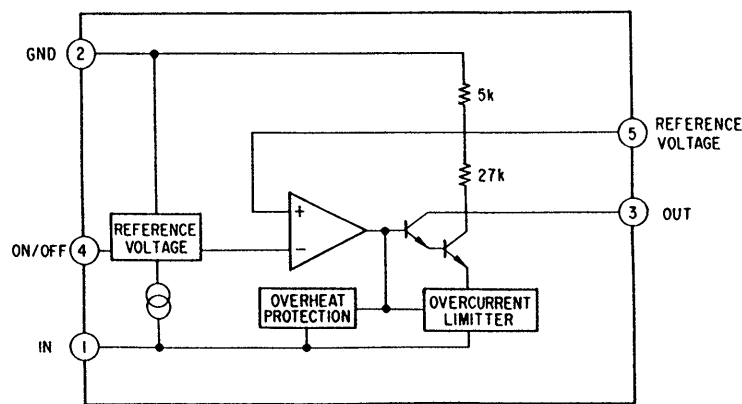
IC101 CXA1372Q (BD Board)



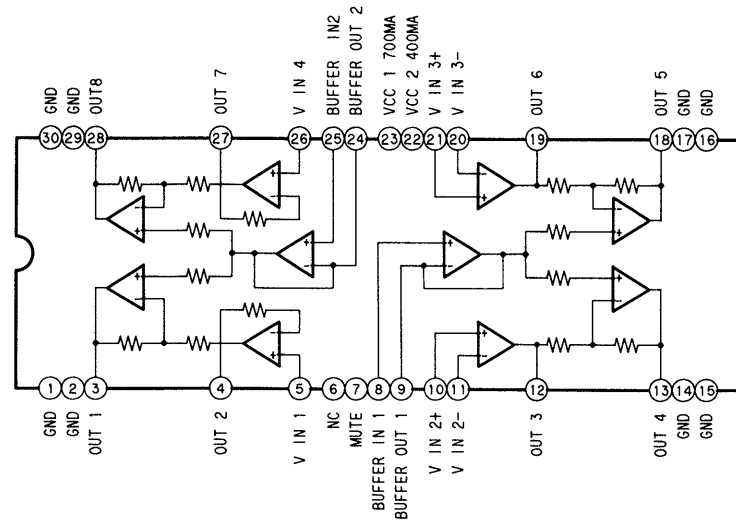
IC202 CXD2500AQ



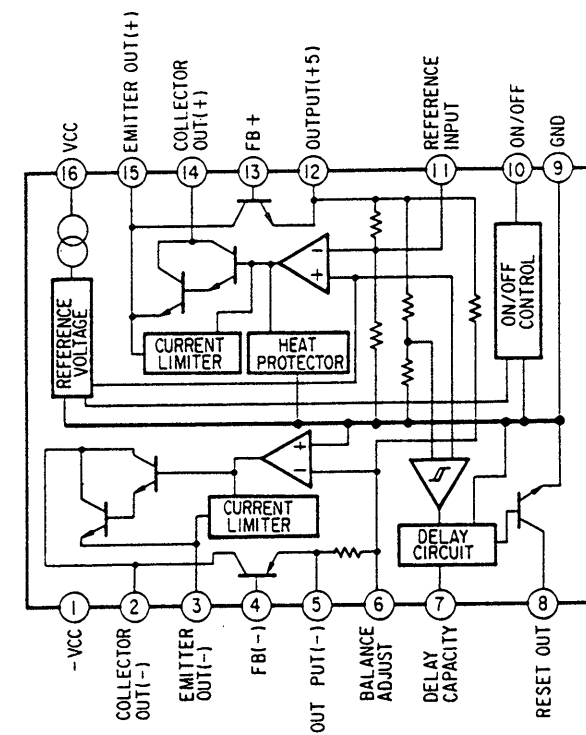
IC102 M5293L (Power Board)



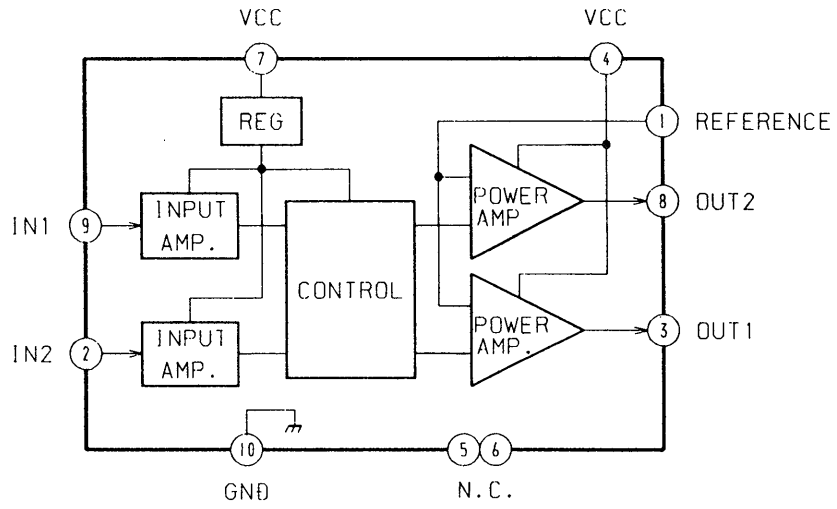
IC102 LA6532M (BD Board)



IC103 M5290FP

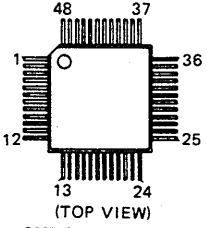


IC203 M54641FP

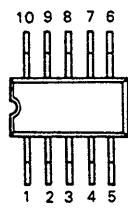


4-5. SEMICONDUCTOR LEAD LAYOUTS

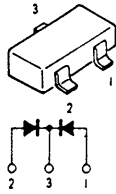
CXA1372AQ



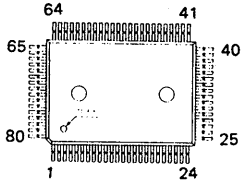
M54641FP



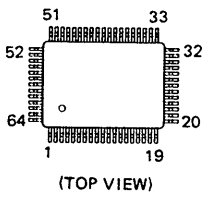
MA152WK



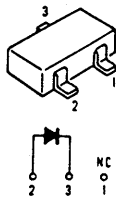
CXD2500AQ



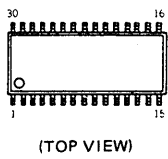
**μPD75206GF
-716-3BE**



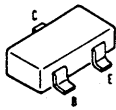
**UZM3.9Z
UZM6.8Y**



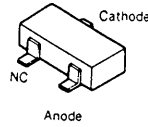
LA6532M



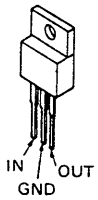
**DTC144EK
2SC3052-EF**



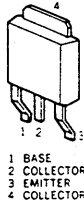
UZM8.2Z



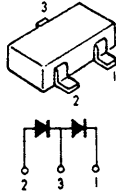
M5F7807L



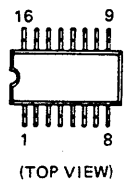
2SA1341



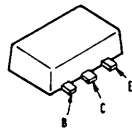
1SS226



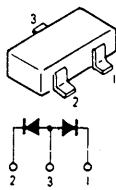
M5290FP



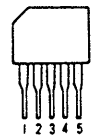
2SB1122-S



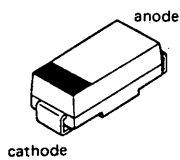
1S2836



M5293L



**EC10DS2
EC10QS-04**



SECTION 5 EXPLODED VIEWS

NOTE:

- The mechanical parts with no reference number in the exploded views are not supplied.
- Items marked "*" are not stocked since they are seldom required for routine service. Some delay should be anticipated when ordering these items.

- -XX and -X mean standardized parts, so they may have some difference from the original one.

- Color Indication of Appearance Parts

Example :

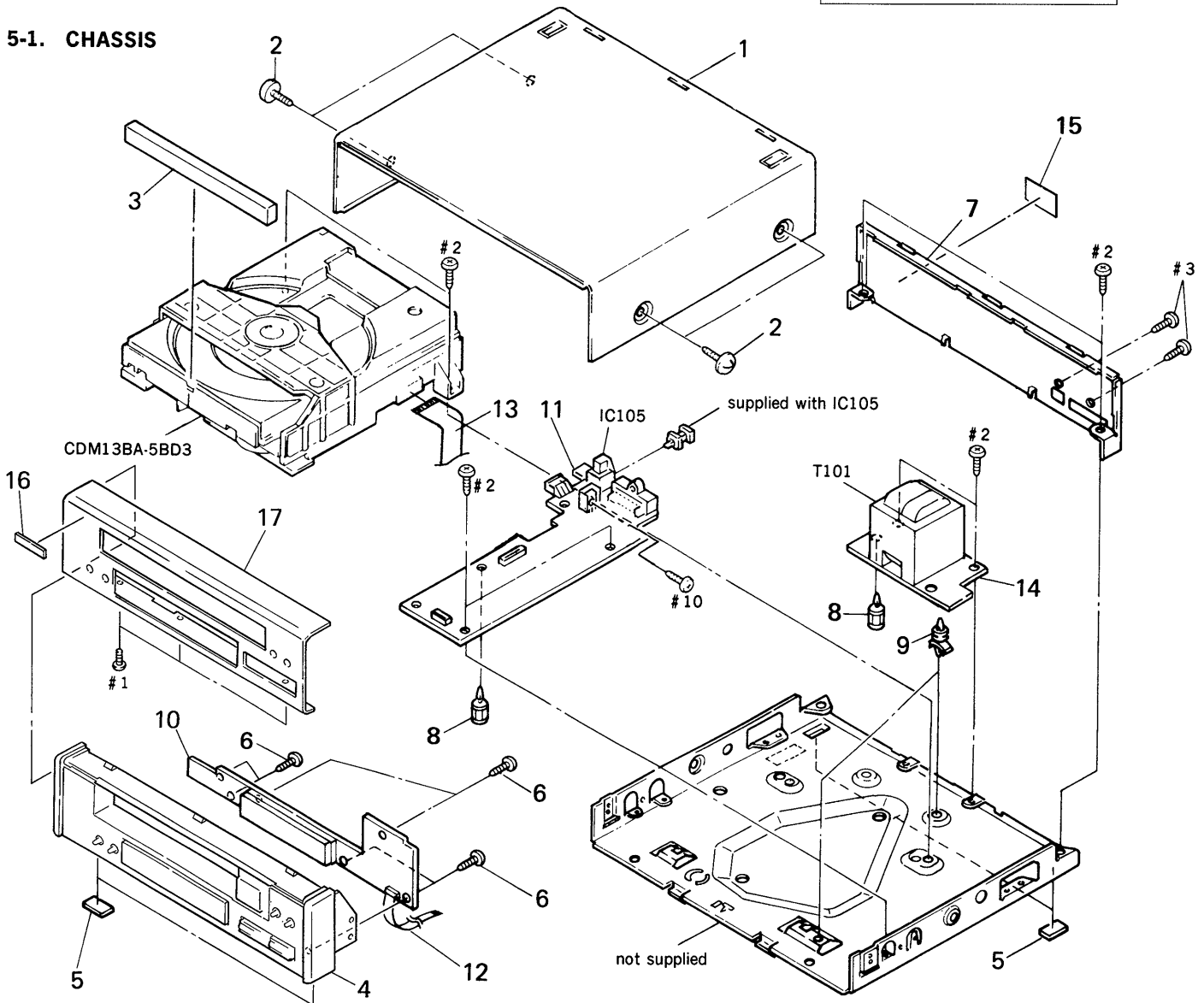
KNOB, BALANCE (WHITE)... (RED)

↑ ↑
Parts Color Cabinet's Color

- Hardware (# mark) list is given in the last of this parts list.

The components identified by mark Δ or dotted line with mark Δ are critical for safety. Replace only with part number specified.

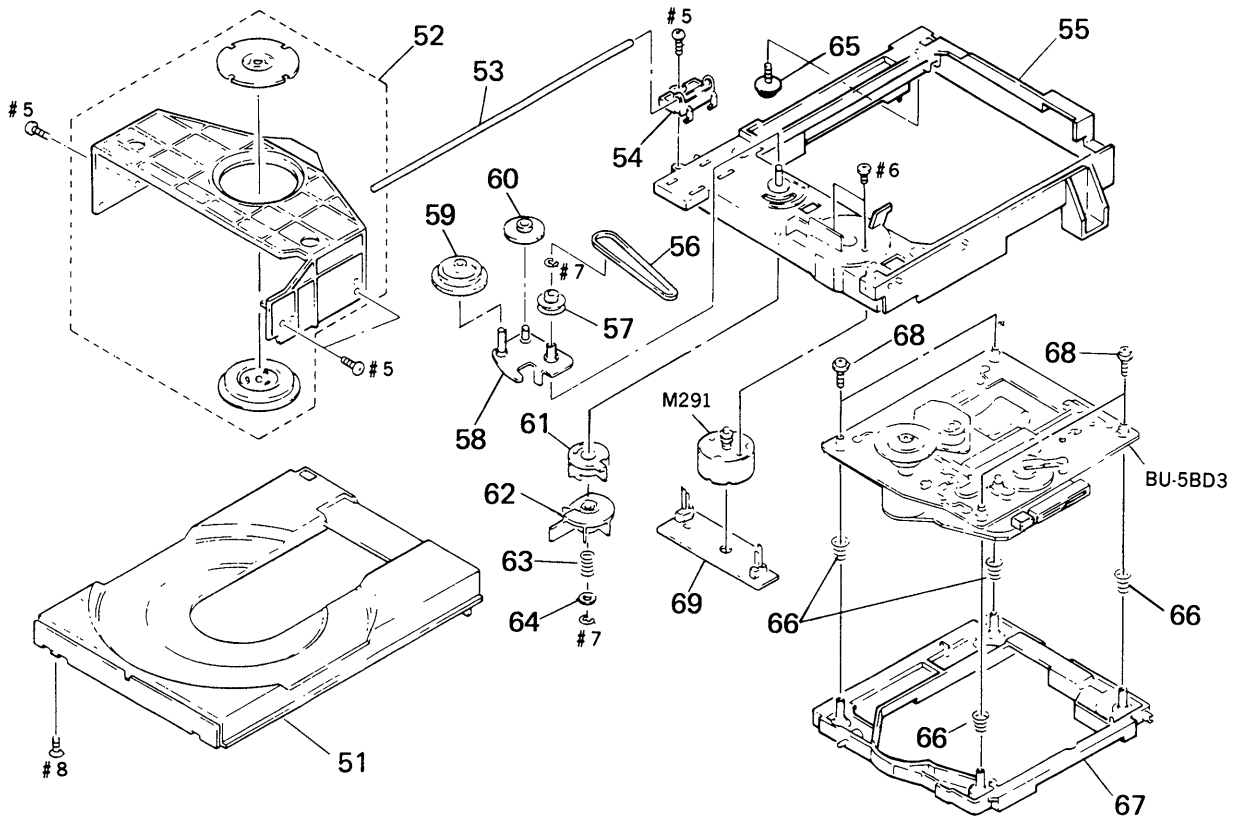
5-1. CHASSIS



Ref. No.	Part No.	Description	Remark
1	4-932-844-01	CASE	
2	3-363-099-01	SCREW (CASE +3X8 TP2)	
3	X-4941-527-1	LID (TRAY) ASSY	
4	X-4941-525-1	PANEL ASSY, FRONT	
5	4-930-336-21	FOOT (FELT)	
6	4-951-620-01	SCREW (2.6X8), +BVTP	
* 7	4-948-753-51	PANEL (CDP), BACK (AEP, UK, Italian)	
* 7	4-948-753-61	PANEL (CDP), BACK (Germany)	
* 8	3-669-610-00	SPACER	
* 9	4-924-098-11	HOLDER, PC BOARD	

Ref. No.	Part No.	Description	Remark
* 10	A-4649-269-A	DISPLAY BOARD, COMPLETE	
* 11	A-4649-267-A	MOUNTED PCB (A), MAIN	
12	1-575-001-11	WIRE, FLAT TYPE (12 CORE)	
13	1-690-753-11	WIRE (FLAT TYPE) (22 CORE)	
* 14	1-642-539-11	POWER BOARD	
* 15	4-941-548-01	LABEL, CLASS1	
16	4-942-636-01	EMBLEM (NO. 3.5), SONY	
17	4-944-445-01	PANEL, FRONT	
IC105	8-749-921-12	IC GPIF32T	
Δ T101	1-450-704-11	TRANSFORMER, POWER	

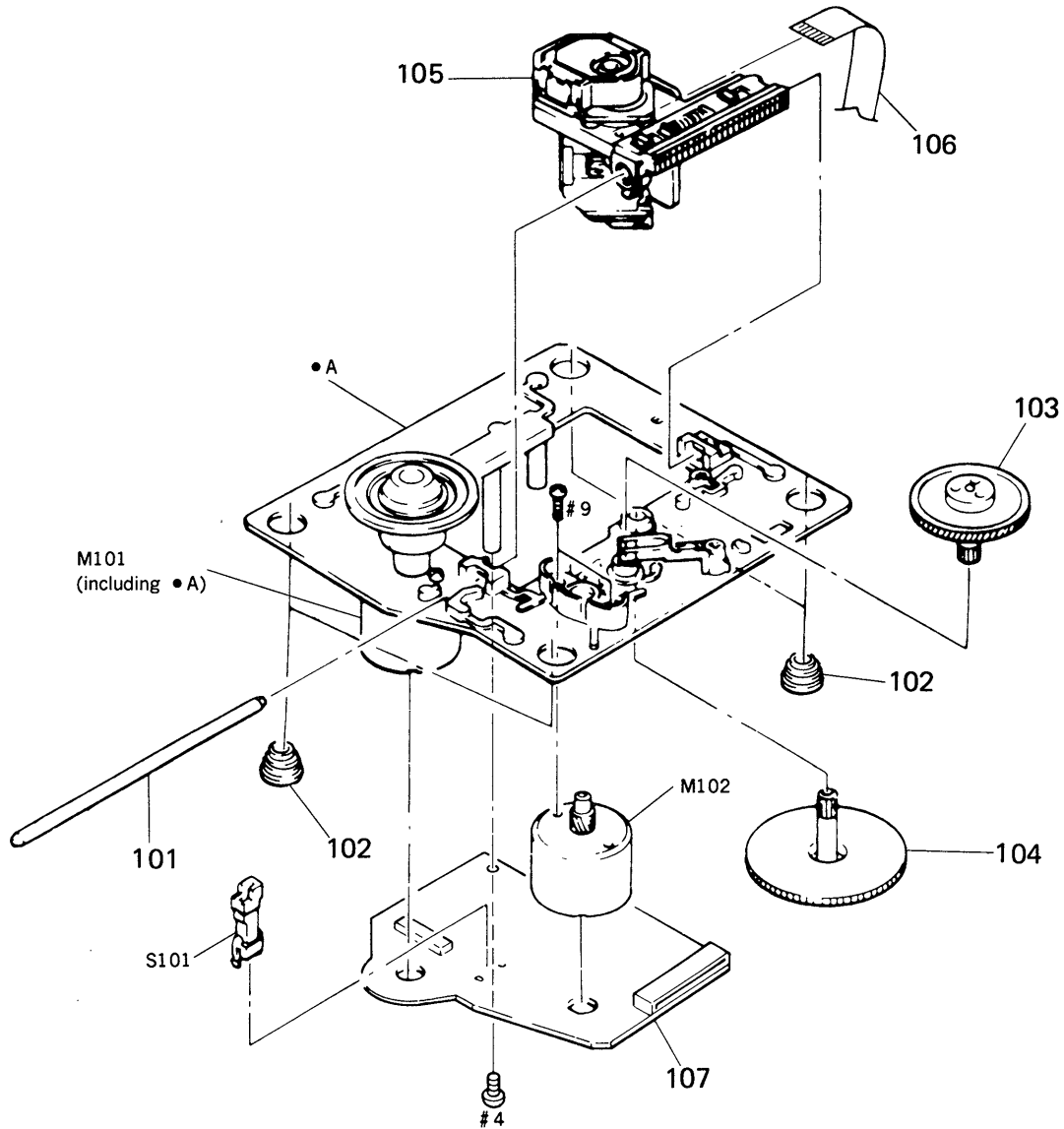
5-2. CD BLOCK (CDM13BA-5BD3)



Ref. No.	Part No.	Description	Remark
51	4-944-012-01	TABLE, DISC	
52	A-4604-752-A	HOLDER (MG) ASSY	
53	4-929-764-01	SHAFT (TABLE GUIDE)	
54	4-944-006-01	BEARING	
55	X-4941-462-1	CHASSIS (MD) ASSY	
56	4-927-649-01	BELT	
57	4-929-724-01	PULLEY (B)	
58	X-4929-703-1	ARM ASSY, SWING	
59	4-927-620-01	GEAR (P)	
60	4-927-628-01	GEAR (C)	

Ref. No.	Part No.	Description	Remark
61	4-929-727-01	CAM (A)	
62	4-929-729-01	CAM (B)	
63	3-659-338-00	SPRING, COMPRESSION	
64	4-927-654-01	WASHER (LIMITER)	
* 65	4-917-583-21	BRACKET, YOKE	
66	4-917-541-01	SPRING (B)	
67	4-929-747-01	HOLDER (BU)	
68	4-933-134-01	SCREW (+PTPWH M2.6X6)	
* 69	1-634-461-11	LOADING BOARD	
M291	A-4608-362-A	MOTOR (L) ASSY	

5-3. OPTICAL PICK-UP BLOCK (BU-5BD3)



The components identified by mark \triangle or dotted line with mark \triangle are critical for safety. Replace only with part number specified.

Ref. No.	Part No.	Description	Remark	Ref. No.	Part No.	Description	Remark
101	4-917-565-01	SHAFT, SLED		106	1-575-001-11	WIRE, FLAT TYPE (12 CORE)	
102	4-933-126-01	INSULATOR (A)		* 107	A-4617-371-A	BD BOARD, COMPLETE	
103	4-917-567-01	GEAR (M)		M101	X-4917-523-3	MOTOR ASSY, SPINDLE	
104	4-917-564-01	GEAR (P), FLATNESS		M102	X-4917-504-1	MOTOR ASSY, SLED	
\triangle 105	8-848-144-11	DEVICE, OPTICAL KSS-240A		S101	1-572-085-11	SWITCH, LEAF (LIMIT IN)	

SECTION 6 ELECTRICAL PARTS LIST

NOTE:

- Due to standardization, replacements in the parts list may be different from the parts specified in the diagrams or the components used on the set.
- -XX and -X mean standardized parts, so they may have some difference from the original one.
- RESISTORS
All resistors are in ohms.
METAL: Metal-film resistor.
METAL OXIDE: Metal oxide-film resistor.
F: nonflammable

- Items marked "*" are not stocked since they are seldom required for routine service. Some delay should be anticipated when ordering these items.
- SEMICONDUCTORS
In each case, u: μ , for example:
uA . . : μ A. . . uPA. . : μ PA.
uPB. . : μ PB. . . uPC. . : μ PC. . . uPD. . : μ PD.
- CAPACITORS
uF: μ F
- COILS
uH: μ H

The components identified by mark Δ or dotted line with mark Δ are critical for safety. Replace only with part number specified.

When indicating parts by reference number, please include the board.

Ref. No.	Part No.	Description	Remark	Ref. No.	Part No.	Description	Remark
*	A-4617-371-A	BD BOARD, COMPLETE *****		IC102	8-759-822-36	IC LA6532M	
		< CAPACITOR >				< JUMPER RESISTOR >	
C101	1-163-038-00	CERAMIC CHIP 0.1uF	25V	J101	1-216-295-00	METAL CHIP 0 5%	1/10W
C102	1-163-989-11	CERAMIC CHIP 0.033uF	10% 25V	J102	1-216-295-00	METAL CHIP 0 5%	1/10W
C103	1-126-163-11	ELECT 4.7uF	20% 50V			< TRANSISTOR >	
C104	1-163-038-00	CERAMIC CHIP 0.1uF	25V	Q101	8-729-901-01	TRANSISTOR DTC144EK	
C105	1-126-154-11	ELECT 47uF	20% 6.3V			< RESISTOR >	
C106	1-126-154-11	ELECT 47uF	20% 6.3V	R101	1-216-097-00	METAL CHIP 100K 5%	1/10W
C107	1-126-154-11	ELECT 47uF	20% 6.3V	R102	1-216-095-00	METAL CHIP 82K 5%	1/10W
C108	1-163-038-00	CERAMIC CHIP 0.1uF	25V	R103	1-216-091-00	METAL CHIP 56K 5%	1/10W
C109	1-163-038-00	CERAMIC CHIP 0.1uF	25V	R104	1-216-099-00	METAL CHIP 120K 5%	1/10W
C110	1-163-989-11	CERAMIC CHIP 0.033uF	10% 25V	R105	1-216-069-00	METAL CHIP 6.8K 5%	1/10W
C111	1-131-367-00	TANTALUM 22uF	10% 20V	R106	1-216-061-00	METAL CHIP 3.3K 5%	1/10W
C112	1-164-232-11	CERAMIC CHIP 0.01uF	50V	R107	1-216-114-00	METAL GLAZE 510K 5%	1/10W
C113	1-164-232-11	CERAMIC CHIP 0.01uF	50V	R108	1-216-105-00	METAL CHIP 220K 5%	1/10W
C114	1-164-161-11	CERAMIC CHIP 0.0022uF	10% 100V	R109	1-216-061-00	METAL CHIP 3.3K 5%	1/10W
C115	1-164-161-11	CERAMIC CHIP 0.0022uF	10% 100V	R110	1-216-049-00	METAL CHIP 1K 5%	1/10W
C117	1-163-038-00	CERAMIC CHIP 0.1uF	25V	R111	1-216-049-00	METAL CHIP 1K 5%	1/10W
C118	1-163-038-00	CERAMIC CHIP 0.1uF	25V	R112	1-216-083-00	METAL CHIP 27K 5%	1/10W
C119	1-164-161-11	CERAMIC CHIP 0.0022uF	10% 100V	R113	1-216-071-00	METAL CHIP 8.2K 5%	1/10W
C120	1-163-989-11	CERAMIC CHIP 0.033uF	10% 25V	R114	1-216-105-00	METAL CHIP 220K 5%	1/10W
C151	1-163-019-00	CERAMIC CHIP 0.0068uF	10% 50V	R152	1-216-073-00	METAL CHIP 10K 5%	1/10W
C152	1-163-038-00	CERAMIC CHIP 0.1uF	25V	R153	1-216-085-00	METAL CHIP 33K 5%	1/10W
C153	1-163-006-11	CERAMIC CHIP 560PF	10% 50V	R154	1-216-085-00	METAL CHIP 33K 5%	1/10W
C154	1-164-161-11	CERAMIC CHIP 0.0022uF	10% 100V	R155	1-216-093-00	METAL CHIP 68K 5%	1/10W
C155	1-163-023-00	CERAMIC CHIP 0.015uF	5% 50V	R156	1-216-081-00	METAL CHIP 22K 5%	1/10W
C171	1-163-038-00	CERAMIC CHIP 0.1uF	25V	R157	1-216-079-00	METAL CHIP 18K 5%	1/10W
C172	1-163-038-00	CERAMIC CHIP 0.1uF	25V	R158	1-216-079-00	METAL CHIP 18K 5%	1/10W
C173	1-163-038-00	CERAMIC CHIP 0.1uF	25V	R159	1-216-079-00	METAL CHIP 18K 5%	1/10W
C174	1-163-038-00	CERAMIC CHIP 0.1uF	25V	R160	1-216-049-00	METAL CHIP 1K 5%	1/10W
		< CONNECTOR >		R171	1-216-001-00	METAL CHIP 10 5%	1/10W
CN101	1-568-796-11	SOCKET, CONNECTOR 22P		R172	1-216-001-00	METAL CHIP 10 5%	1/10W
CN102	1-568-795-11	SOCKET, CONNECTOR 12P		R173	1-216-001-00	METAL CHIP 10 5%	1/10W
		< IC >		R174	1-216-001-00	METAL CHIP 10 5%	1/10W
IC101	8-752-053-73	IC CXA1372AQ					

BD

DISPLAY

MAIN

POWER

Ref. No.	Part No.	Description	Remark
		< VARIABLE RESISTOR >	
RV101	1-241-630-11	RES, ADJ, CARBON 10K	
RV102	1-241-630-11	RES, ADJ, CARBON 10K	
		< SWITCH >	
S101	1-572-085-11	SWITCH, LEAF (LIMIT IN)	

*	A-4649-269-A	DISPLAY BOARD, COMPLETE	

*	A-4649-267-A	MAIN BOARD, COMPLETE	

*	1-642-539-11	POWER BOARD	

*	4-880-403-11	HEAT SINK	
*	4-932-810-11	CUSHION (FL)	
*	4-944-444-01	HOLDER (FL TUBE)	
	7-682-548-04	SCREW +BVTT 3X8 (S)	
		< CAPACITOR >	
C101	1-126-939-11	ELECT 10000uF 20%	16V
C102	1-124-907-11	ELECT 10uF 20%	50V
C103	1-124-477-11	ELECT 47uF 20%	25V
C104	1-135-155-21	TANTALUM CHIP 4.7uF 10%	16V
C105	1-164-346-11	CERAMIC CHIP 1uF	16V
C106	1-164-695-11	CERAMIC CHIP 0.0022uF 5%	50V
C109	1-163-038-00	CERAMIC CHIP 0.1uF	25V
C111	1-126-063-11	ELECT 100uF 20%	63V
C112	1-124-907-11	ELECT 10uF 20%	50V
C113	1-163-141-00	CERAMIC CHIP 0.001uF 5%	50V
C115	1-163-031-11	CERAMIC CHIP 0.01uF	50V
C116	1-163-031-11	CERAMIC CHIP 0.01uF	50V
C117	1-163-141-00	CERAMIC CHIP 0.001uF 5%	50V
C120	1-164-346-11	CERAMIC CHIP 1uF	16V
C121	1-163-038-00	CERAMIC CHIP 0.1uF	25V
C122	1-163-038-00	CERAMIC CHIP 0.1uF	25V
C130	1-124-907-11	ELECT 10uF 20%	50V
C201	1-163-038-00	CERAMIC CHIP 0.1uF	25V
C202	1-164-346-11	CERAMIC CHIP 1uF	16V
C203	1-163-035-00	CERAMIC CHIP 0.047uF	50V
C204	1-163-145-00	CERAMIC CHIP 0.0015uF 5%	50V
C205	1-164-346-11	CERAMIC CHIP 1uF	16V
C206	1-163-031-11	CERAMIC CHIP 0.01uF	50V
C207	1-164-005-11	CERAMIC CHIP 0.47uF	25V
C208	1-164-346-11	CERAMIC CHIP 1uF	16V
C209	1-164-346-11	CERAMIC CHIP 1uF	16V
C210	1-163-038-00	CERAMIC CHIP 0.1uF	25V
C211	1-163-117-00	CERAMIC CHIP 100PF 5%	50V
C306	1-163-227-11	CERAMIC CHIP 10PF 5%	50V

Ref. No.	Part No.	Description	Remark
C307	1-163-227-11	CERAMIC CHIP 10PF 5%	50V
C309	1-162-638-11	CERAMIC CHIP 1uF	16V
C323	1-163-141-00	CERAMIC CHIP 0.001uF 5%	50V
C324	1-163-141-00	CERAMIC CHIP 0.001uF 5%	50V
C330	1-124-442-00	ELECT 330uF 20%	6.3V
C331	1-124-443-00	ELECT 100uF 20%	10V
C341	1-163-038-00	CERAMIC CHIP 0.1uF	25V
C401	1-163-038-00	CERAMIC CHIP 0.1uF	25V
C402	1-163-035-00	CERAMIC CHIP 0.047uF	50V
C403	1-164-346-11	CERAMIC CHIP 1uF	16V
C404	1-163-009-11	CERAMIC CHIP 0.001uF 10%	50V
C500	1-124-907-11	ELECT 10uF 20%	50V
C503	1-163-031-11	CERAMIC CHIP 0.01uF	50V

< CONNECTOR >

* CN101	1-569-624-11	SOCKET, CONNECTOR 17P (SYSTEM CONTROL 2)
CN102	1-568-662-11	CONNECTOR, BOARD TO BOARD 6P
* CN201	1-568-822-11	SOCKET, CONNECTOR 22P
* CN202	1-564-339-00	PIN, CONNECTOR 5P
* CN301	1-573-099-11	HOUSING, CONNECTOR 12P
* CN401	1-573-098-11	HOUSING, CONNECTOR 12P
CN901	1-568-668-11	CONNECTOR, BOARD TO BOARD 6P

< DIODE >

D101	8-719-210-39	DIODE EC10QS-04
D102	8-719-210-39	DIODE EC10QS-04
D103	8-719-210-33	DIODE EC10DS2
D104	8-719-210-33	DIODE EC10DS2
D106	8-719-021-59	DIODE UZM6.8Y
D113	8-719-210-33	DIODE EC10DS2
D131	8-719-800-76	DIODE 1SS226
D132	8-719-800-76	DIODE 1SS226
D201	8-719-400-18	DIODE MA152WK
D206	8-719-021-13	DIODE UZM3.9Z
D401	8-719-021-77	DIODE UZM8.2Z
D402	8-719-104-34	DIODE 1S2836
D403	8-719-104-34	DIODE 1S2836

< FLUORESCENT INDICATOR >

FL401	1-519-652-11	INDICATOR TUBE, FLUORESCENT
-------	--------------	-----------------------------

< IC >

IC101	8-759-604-86	IC M5F7807
IC102	8-759-633-42	IC M5293L
IC103	8-759-636-24	IC M5290FP
IC105	8-749-921-12	IC GP1F32T
IC201	8-759-059-86	IC uPD75116GF-F21-3BE
IC202	8-752-337-26	IC CXD2500AQ

DISPLAY

MAIN

POWER

LOADING

Ref. No.	Part No.	Description	Remark
IC203	8-759-636-20	IC M54641FP	
IC401	8-759-154-14	IC uPD75206GF-716-3BE	
< JUMPER RESISTOR >			
JW101	1-216-296-00	METAL CHIP 0 5% 1/8W	
JW110	1-216-296-00	METAL CHIP 0 5% 1/8W	
JW202	1-216-295-00	METAL CHIP 0 5% 1/10W	
JW203	1-216-295-00	METAL CHIP 0 5% 1/10W	
JW401	1-216-295-00	METAL CHIP 0 5% 1/10W	
< TRANSISTOR >			
Q101	8-729-804-41	TRANSISTOR 2SB1122-S	
Q102	8-729-620-06	TRANSISTOR 2SC3052-EF	
Q103	8-729-805-69	TRANSISTOR 2SA1341	
Q201	8-729-620-06	TRANSISTOR 2SC3052-EF	
< RESISTOR >			
R101	1-216-065-00	METAL CHIP 4.7K 5% 1/10W	
R104	1-216-073-00	METAL CHIP 10K 5% 1/10W	
R105	1-216-073-00	METAL CHIP 10K 5% 1/10W	
R107	1-216-061-00	METAL CHIP 3.3K 5% 1/10W	
R108	1-216-049-00	METAL CHIP 1K 5% 1/10W	
R199	1-216-025-00	METAL CHIP 100 5% 1/10W	
R201	1-216-073-00	METAL CHIP 10K 5% 1/10W	
R202	1-216-073-00	METAL CHIP 10K 5% 1/10W	
R203	1-216-065-00	METAL CHIP 4.7K 5% 1/10W	
R204	1-216-073-00	METAL CHIP 10K 5% 1/10W	
R205	1-216-001-00	METAL CHIP 10 5% 1/10W	
R206	1-216-073-00	METAL CHIP 10K 5% 1/10W	
R207	1-216-073-00	METAL CHIP 10K 5% 1/10W	
R208	1-216-073-00	METAL CHIP 10K 5% 1/10W	
R209	1-216-073-00	METAL CHIP 10K 5% 1/10W	
R210	1-216-097-00	METAL CHIP 100K 5% 1/10W	
R211	1-216-073-00	METAL CHIP 10K 5% 1/10W	
R213	1-216-073-00	METAL CHIP 10K 5% 1/10W	
R214	1-216-073-00	METAL CHIP 10K 5% 1/10W	
R215	1-216-073-00	METAL CHIP 10K 5% 1/10W	
R216	1-216-073-00	METAL CHIP 10K 5% 1/10W	
R217	1-216-061-00	METAL CHIP 3.3K 5% 1/10W	
R218	1-216-073-00	METAL CHIP 10K 5% 1/10W	
R219	1-216-061-00	METAL CHIP 3.3K 5% 1/10W	
R220	1-216-073-00	METAL CHIP 10K 5% 1/10W	
R221	1-216-097-00	METAL CHIP 100K 5% 1/10W	
R222	1-216-033-00	METAL CHIP 220 5% 1/10W	
R226	1-216-073-00	METAL CHIP 10K 5% 1/10W	
R227	1-216-073-00	METAL CHIP 10K 5% 1/10W	
R228	1-216-073-00	METAL CHIP 10K 5% 1/10W	
R231	1-216-049-00	METAL CHIP 1K 5% 1/10W	
R232	1-216-049-00	METAL CHIP 1K 5% 1/10W	

Ref. No.	Part No.	Description	Remark
R401	1-216-089-00	METAL CHIP 47K 5% 1/10W	
R402	1-216-089-00	METAL CHIP 47K 5% 1/10W	
R403	1-216-089-00	METAL CHIP 47K 5% 1/10W	
R404	1-216-089-00	METAL CHIP 47K 5% 1/10W	
R405	1-216-089-00	METAL CHIP 47K 5% 1/10W	
R406	1-216-089-00	METAL CHIP 47K 5% 1/10W	
R407	1-216-089-00	METAL CHIP 47K 5% 1/10W	
R408	1-216-093-00	METAL CHIP 68K 5% 1/10W	
R409	1-216-089-00	METAL CHIP 47K 5% 1/10W	
R410	1-216-089-00	METAL CHIP 47K 5% 1/10W	
R411	1-216-089-00	METAL CHIP 47K 5% 1/10W	
R412	1-216-089-00	METAL CHIP 47K 5% 1/10W	
R413	1-216-089-00	METAL CHIP 47K 5% 1/10W	
R414	1-216-089-00	METAL CHIP 47K 5% 1/10W	
< SWITCH >			
S401	1-554-303-21	SWITCH, TACTILE (◀◀ K4)	
S402	1-554-303-21	SWITCH, TACTILE (▶▶ B4)	
S403	1-554-303-21	SWITCH, TACTILE (▷ B4)	
S404	1-554-303-21	SWITCH, TACTILE (■)	
S405	1-554-303-21	SWITCH, TACTILE (OPEN/CLOSE △)	
S406	1-554-303-21	SWITCH, TACTILE (EDIT/TIME FADE)	
S407	1-554-303-21	SWITCH, TACTILE (CHECK)	
< TRANSFORMER >			
△T101	1-450-704-11	TRANSFORMER, POWER	
< VIBRATOR >			
X201	1-577-358-21	VIBRATOR, CERAMIC (4MHz)	
X301	1-567-908-11	VIBRATOR, CRYSTAL (16.9MHz)	
X401	1-577-359-21	VIBRATOR, CERAMIC (4.19MHz)	

*	1-634-461-11	LOADING BOARD	

< CONNECTOR >			
* CN291	1-564-498-11	PIN, CONNECTOR 5P	
< SWITCH >			
S291	1-571-924-11	SWITCH, LEAF (LOAD OUT)	
S292	1-571-924-11	SWITCH, LEAF (LOAD IN)	

The components identified by mark △ or dotted line with mark △ are critical for safety. Replace only with part number specified.

Ref. No.	Part No.	Description	Remark
		MISCELLANEOUS	

12	1-575-001-11	WIRE, FLAT TYPE (12 CORE)	
13	1-690-753-11	WIRE (FLAT TYPE) (22 CORE)	
△105	8-848-144-11	DEVICE, OPTICAL KSS-240A	
106	1-575-001-11	WIRE, FLAT TYPE (12 CORE)	
M101	X-4917-523-3	MOTOR ASSY, SPINDLE	
M102	X-4917-504-1	MOTOR ASSY, SLED	
M291	A-4608-362-A	MOTOR (L) ASSY	

HARDWARE LIST

#1	7-682-547-09	SCREW +BVTT 3X6 (S)
#2	7-682-547-04	SCREW +BVTT 3X6 (S)
#3	7-685-647-79	SCREW +BVTP 3X10 TYPE2 N-S
#4	7-685-134-19	SCREW +BTP 2.6X8 TYPE2 N-S
#5	7-685-646-79	SCREW +BVTP 3X8 TYPE2 N-S
#6	7-621-775-10	SCREW +B 2.6X4
#7	7-624-105-04	STOP RING 2.3, TYPE -E
#8	7-685-234-19	SCREW +KTP 2.6X8 TYPE2NON-SLIT
#9	7-621-255-15	SCREW +P 2X3
#10	7-682-548-04	SCREW +BVTT 3X8 (S)

The components identified by mark △ or dotted line with mark. △ are critical for safety. Replace only with part number specified.

