

CDP-C250Z/C350Z/CE305/CE405

SERVICE MANUAL

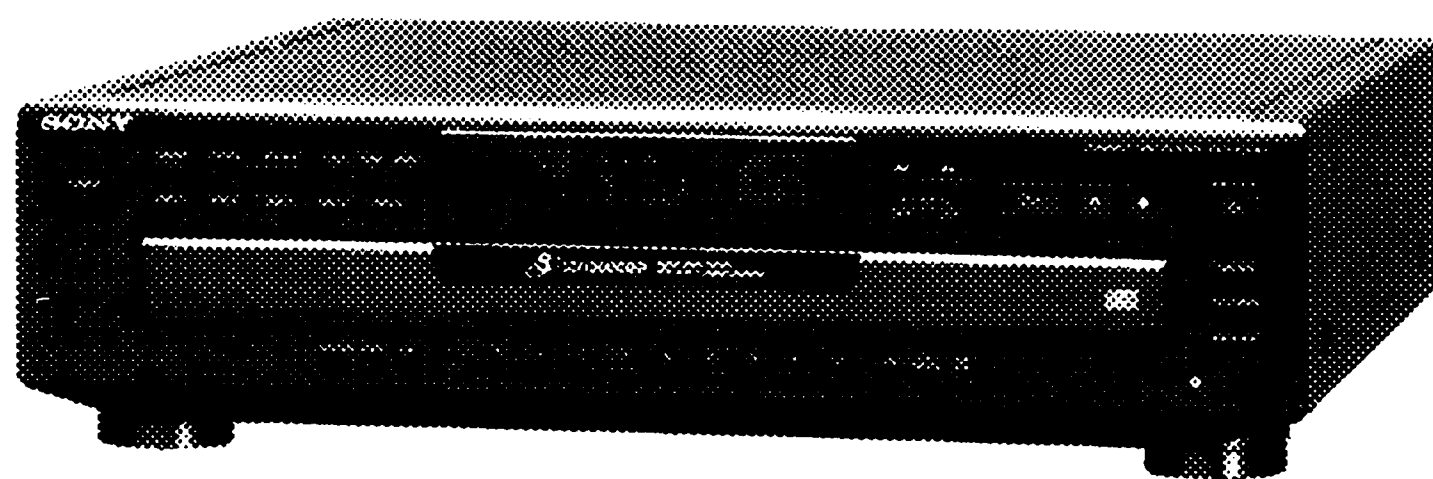


Photo : CDP-CE405

US Model
CDP-C250Z/C350Z/CE305/CE405

Canadian Model

AEP Model
CDP-CE305/CE405

UK Model
CDP-CE405

Australian Model

E Model

Chinese Model
CDP-CE305/CE405

Model Name Using Similar Mechanism	CDP-C265/C365
CD Mechanism Type	CDM27A2-5BD20
Base Unit Type	BU-5BD20
Optical Pick-up Type	KSS-213B/K-N

SPECIFICATIONS

Compact Disc Player

Laser	Semiconductor laser ($\lambda = 780 \text{ nm}$)
	Emission duration: continuous
Laser output	Max 44.6 μW *
	* This output is the value measured at a distance of 200 mm from the objective lens surface on the Optical Pick-up block with 7 mm aperture.
Frequency response	2 Hz to 20 kHz $\pm 0.5 \text{ dB}$
Signal-to-noise ratio	More than 102 dB
Dynamic range	More than 98 dB
Harmonic distortion	Less than 0.0045%
Channel separation	More than 100 dB

Output

	Jack type	Maximum output level	Load impedance
LINE OUT	Phono jacks	2V (at 50 kilohms)	Over 10 kilohms

General

Power requirements

Where purchased	Power requirements
US, Canadian	120V AC, 60 Hz
AEP, UK, German, Italian, East European	220-230V AC, 50/60 Hz
Australian	240V AC, 50/60 Hz
E	110-120V, 220-240V adjustable, 50/60 Hz
Chinese	220-240V AC, 50 Hz

Power consumption	14W
Dimensions (approx.) (w/h/d)	430 \times 120 \times 385 mm (17 \times 4 3/4 \times 15 1/4 in.) incl. projecting parts
Mass (approx.)	5.6 kg (12 lbs 6 oz)

Supplied accessories

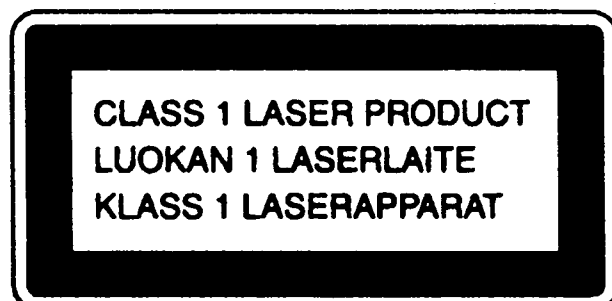
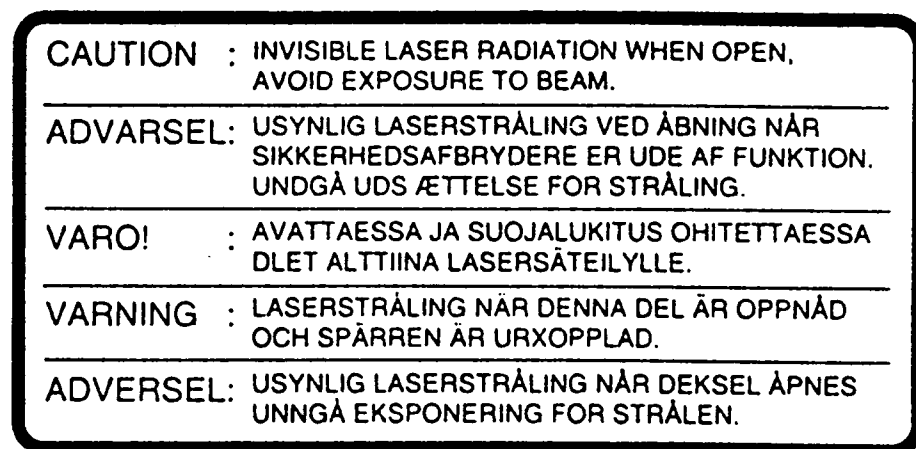
- Audio cord (2 phono plugs-2 phono plugs) (1)
- Remote commander (remote) (CDP-C350Z/CE405 only)
- Sony SUM-3 (NS) batteries (CDP-C350Z/CE405 only)
- AC plug adaptor (1) (E model only)

Design and specifications are subject to change without notice.

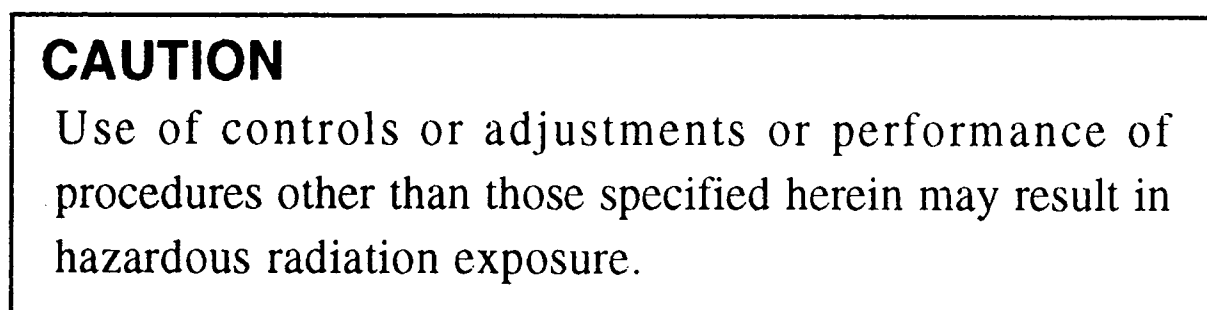
COMPACT DISC PLAYER
SONY[®]



The following caution label is located inside of the unit.



This appliance is classified as a CLASS 1 LASER product. The CLASS 1 LASER PRODUCT MARKING is located on the rear exterior.



SAFETY-RELATED COMPONENT WARNING !!

COMPONENTS IDENTIFIED BY MARK \triangle OR DOTTED LINE WITH MARK \triangle ON THE SCHEMATIC DIAGRAMS AND IN THE PARTS LIST ARE CRITICAL TO SAFE OPERATION. REPLACE THESE COMPONENTS WITH SONY PARTS WHOSE PART NUMBERS APPEAR AS SHOWN IN THIS MANUAL OR IN SUPPLEMENTS PUBLISHED BY SONY.

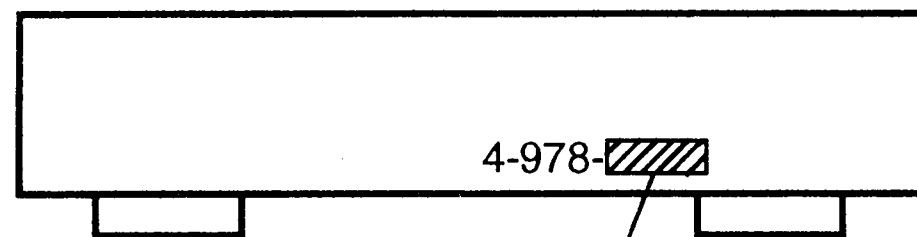
TABLE OF CONTENTS

<u>Section</u>	<u>Title</u>	<u>Page</u>
SECTION 1. GENERAL		5
SECTION 2. DISASSEMBLY		
2-1.	Case, Bottom Plate and Front Panel	6
2-2.	Back Panel and Disc Table	6
2-3.	Optical Pick-up Block Assembly	7
2-4.	Bracket (Gear) Assembly	7
SECTION 3. ELECTRICAL BLOCK CHECKING		8
SECTION 4. DIAGRAMS		
4-1.	Circuit Boards Location	10
4-2.	Printed Wiring Board — BD Section —	11
4-3.	Schematic Diagram — BD Section —	13
4-4.	IC Block Diagrams	15
4-5.	Printed Wiring Board — Main Section —	17
4-6.	Schematic Diagram — Main Section —	21
4-7.	IC Pin Functions	
	• IC101 Digital Signal Processor (CXD2545Q)	24
	• IC303 System Control (CXP82320-064Q)	27
SECTION 5. EXPLODED VIEWS		
5-1.	Front Panel and Case Section	28
5-2.	Back Panel and Disk Table Section	29
5-3.	Chassis Section	30
5-4.	Base Unit Section (BU-5BD20)	31
SECTION 6. ELECTRICAL PARTS LIST		32

ATTENTION AU COMPOSANT AYANT RAPPORT À LA SÉCURITÉ!!

LES COMPOSANTS IDENTIFIÉS PAR UNE MARQUE \triangle SUR LES DIAGRAMMES SCHÉMATIQUES ET LA LISTE DES PIÈCES SONT CRITIQUES POUR LA SÉCURITÉ DE FONCTIONNEMENT. NE REMPLACER CES COMPOSANTS QUE PAR DES PIÈCES SONY DONT LES NUMÉROS SONT DONNÉS DANS CE MANUEL OU DANS LES SUPPLÉMENTS PUBLIÉS PAR SONY.

MODEL IDENTIFICATION
— BACK PANEL —



CDP-C250Z	
US Model	: 490-7□
CDP-C350Z	
US Model	: 490-8□
CDP-CE305	
US Model	: 490-0□
Canadian Model	: 490-1□
AEP Model	: 767-2□
German Model	: 490-3□
Australian Model	: 490-4□
E Model	: 490-5□
Chinese Model	: 490-6□
CDP-CE405	
US Model	: 767-0□
Canadian Model	: 767-1□
AEP, East European,	
Chinese Model	: 767-2□
UK Model	: 767-4□
German Model	: 767-3□
E Model	: 767-6□
Australian Model	: 767-5□

NOTES ON HANDLING THE OPTICAL PICK-UP BLOCK OR BASE UNIT

The laser diode in the optical pick-up block may suffer electrostatic breakdown because of the potential difference generated by the charged electrostatic load, etc. on clothing and the human body.

During repair, pay attention to electrostatic breakdown and also use the procedure in the printed matter which is included in the repair parts.

The flexible board is easily damaged and should be handled with care.

NOTES ON LASER DIODE EMISSION CHECK

The laser beam on this model is concentrated so as to be focused on the disc reflective surface by the objective lens in the optical pick-up block. Therefore, when checking the laser diode emission, observe from more than 30 cm away from the objective lens.

SAFETY CHECK-OUT
(US model only)

After correcting the original service problem, perform the following safety checks before releasing the set to the customer: Check the antenna terminals, metal trim, “metallized” knobs, screws, and all other exposed metal parts for AC leakage. Check leakage as described below.

LEAKAGE

The AC leakage from any exposed metal part to earth ground and from all exposed metal parts to any exposed metal part having a return to chassis, must not exceed 0.5 mA (500 microampers). Leakage current can be measured by any one of three methods.

1. A commercial leakage tester, such as the Simpson 229 or RCA WT-540A. Follow the manufacturers' instructions to use these instruments.
2. A battery-operated AC milliammeter. The Data Precision 245 digital multimeter is suitable for this job.
3. Measuring the voltage drop across a resistor by means of a VOM or battery-operated AC voltmeter. The “limit” indication is 0.75 V, so analog meters must have an accurate low-voltage scale. The Simpson 250 and Sanwa SH-63Trd are examples of a passive VOM that is suitable. Nearly all battery operated digital multimeters that have a 2V AC range are suitable. (See Fig. A)

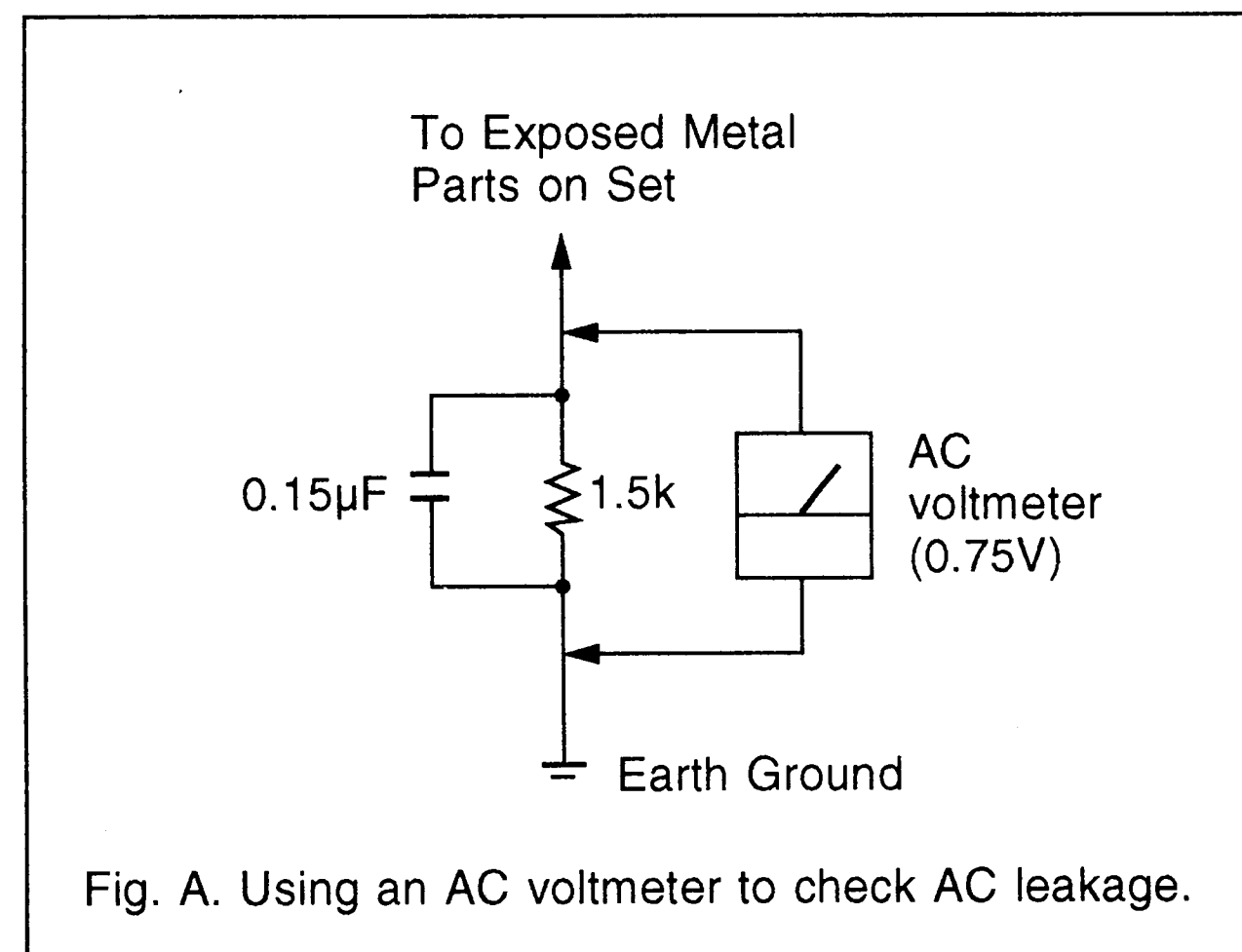
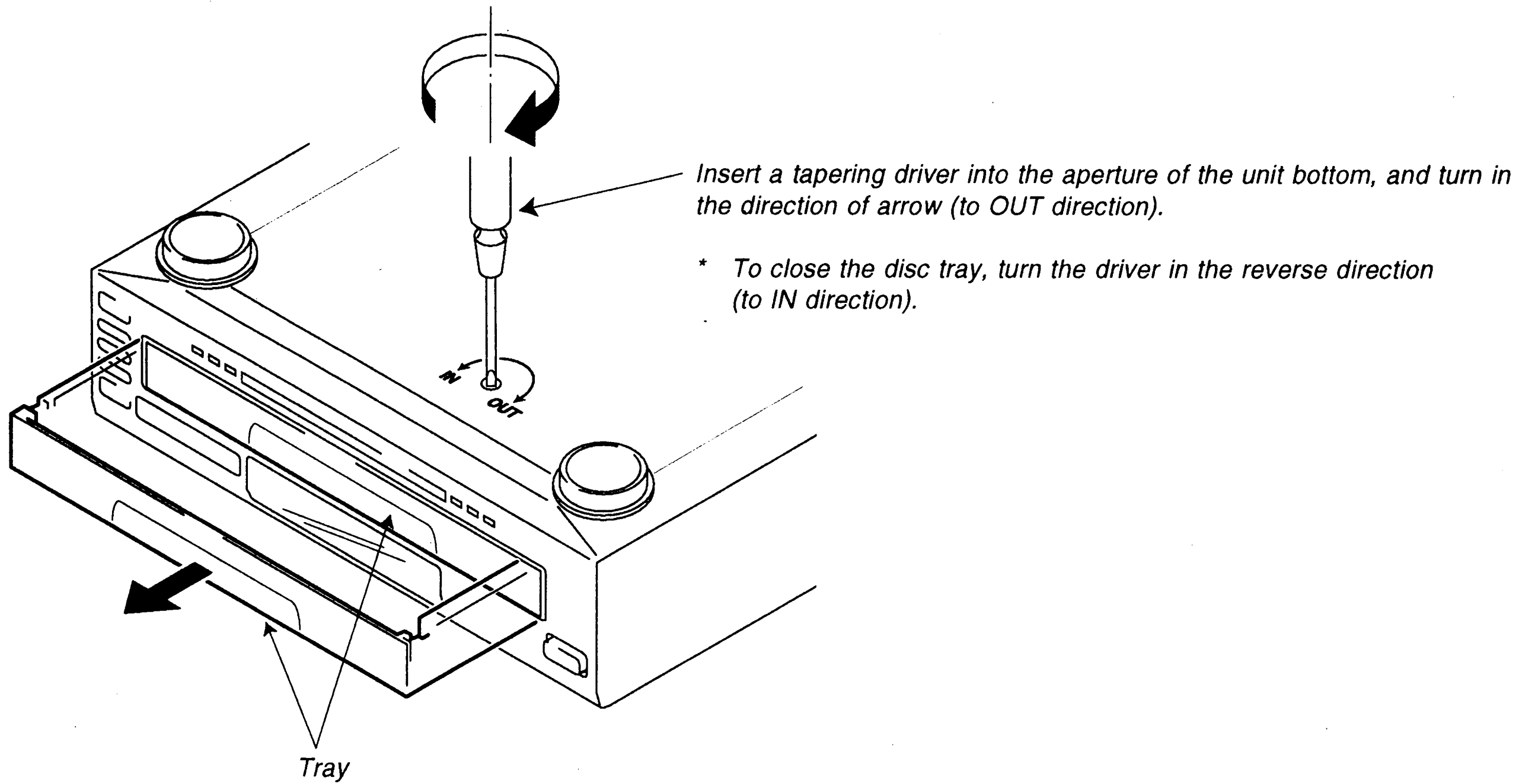
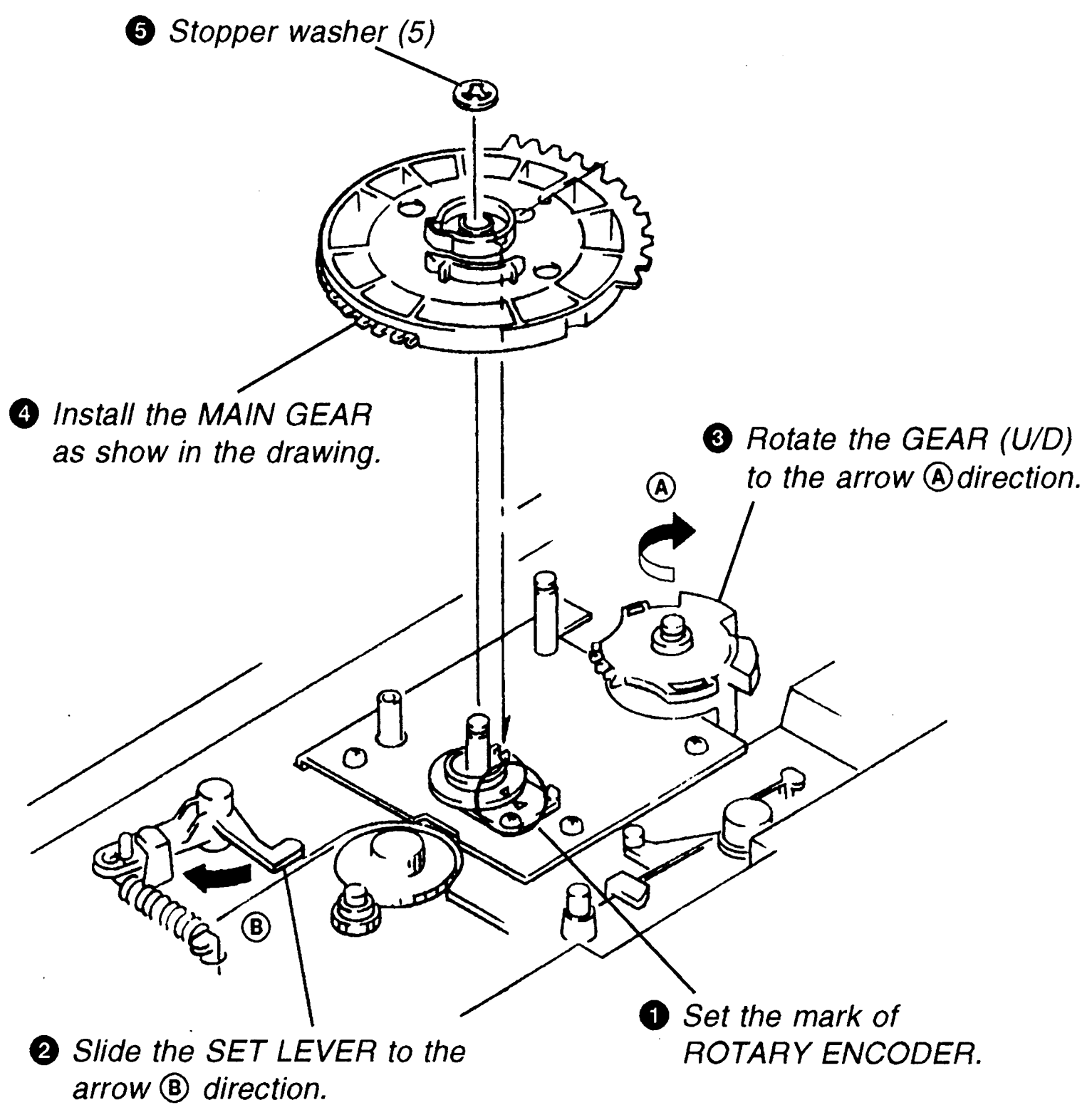


Fig. A. Using an AC voltmeter to check AC leakage.

HOW TO OPEN THE DISC TRAY WHEN POWER SWITCH TURNS OFF



NOTE FOR MAIN GAER INSTALLATION

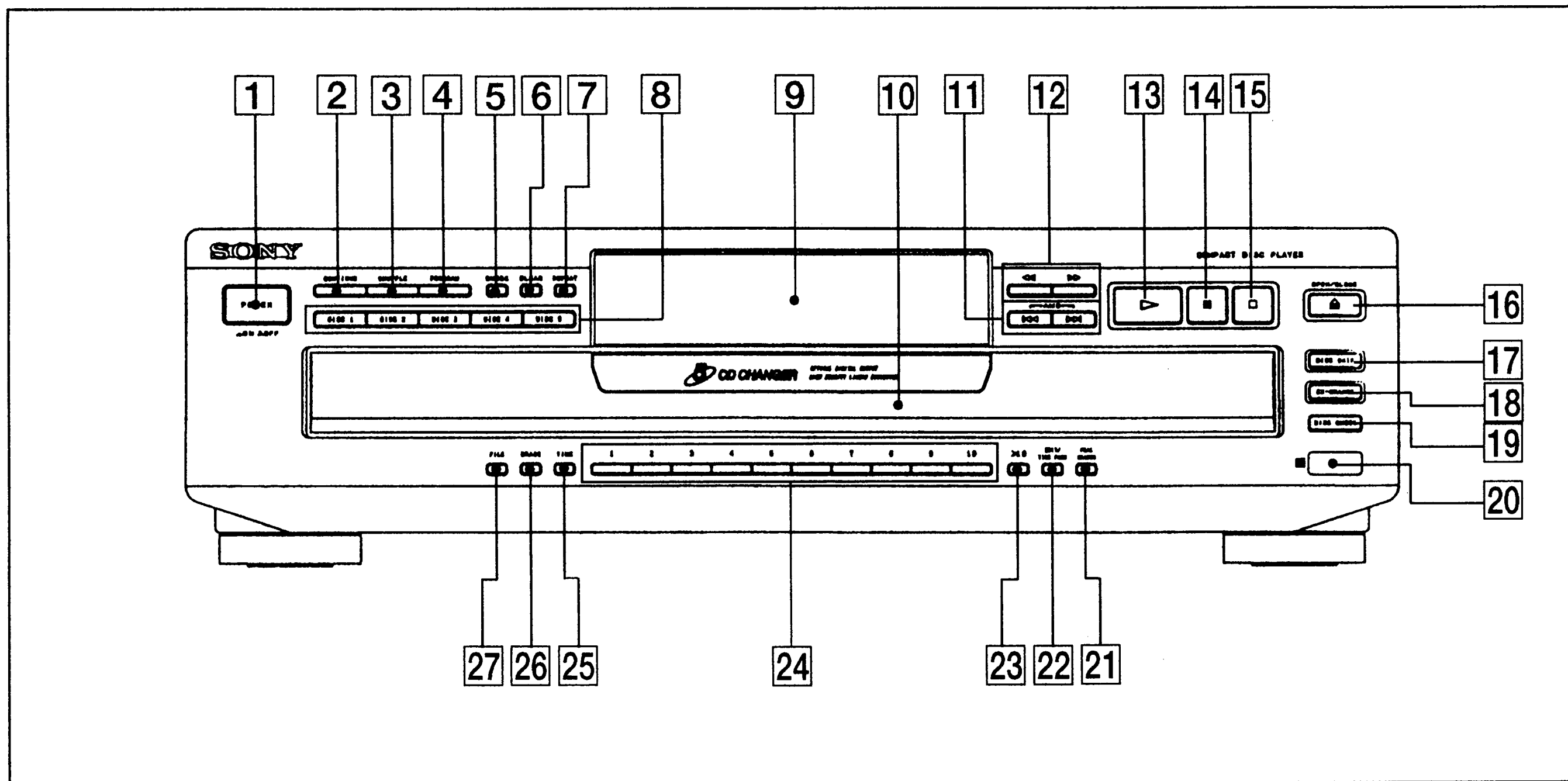


SECTION 1

GENERAL

Identifying the Parts

Front Panel



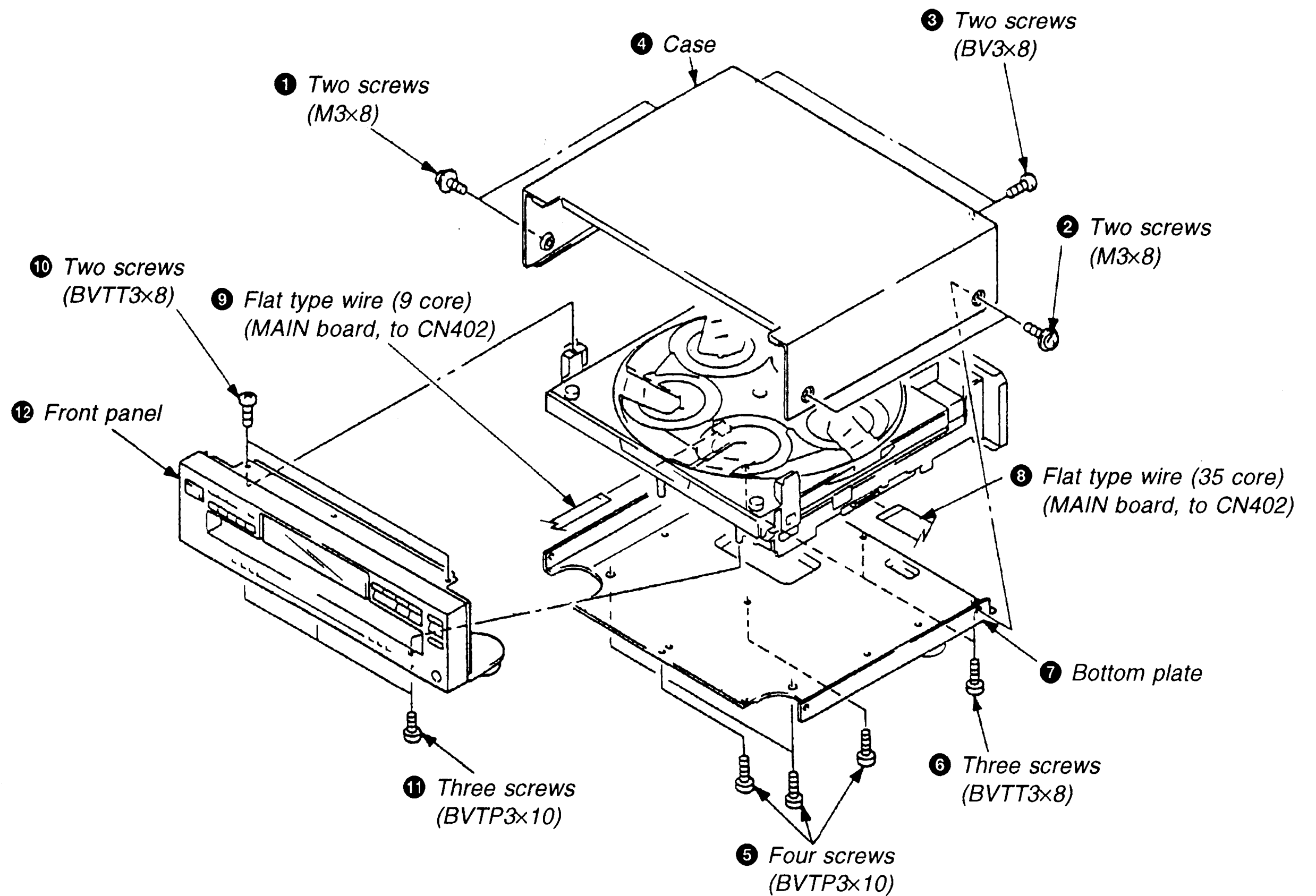
- | | |
|---|--|
| 1 POWER switch | 15 ■ (stop) button |
| 2 CONTINUE button | 16 ▲ OPEN/CLOSE button |
| 3 SHUFFLE button | 17 DISC SKIP button |
| 4 PROGRAM button | 18 EX-CHANGE button |
| 5 CHECK button | 19 DISC CHECK button (CDP-CE305/CE405 only) |
| 6 CLEAR button | 20 Remote sensor |
| 7 REPEAT button | 21 PEAK SEARCH button (CDP-CE305/CE405 only) |
| 8 DISC 1-5 buttons | 22 EDIT/TIME FADE button (CDP-CE305/CE405 only) |
| 9 Display window | 23 >10 (over 10) button |
| 10 Disc tray | 24 Numeric (1-10) buttons |
| 11 ◀◀/▶▶ (AMS*) buttons | 25 TIME button |
| 12 ◀◀/▶▶ (manual search) buttons | 26 FADER button |
| 13 ▶ (play) button | 27 MUSIC SCAN button |
| 14 (pause) button | |

* AMS is the abbreviation for Automatic Music Sensor.

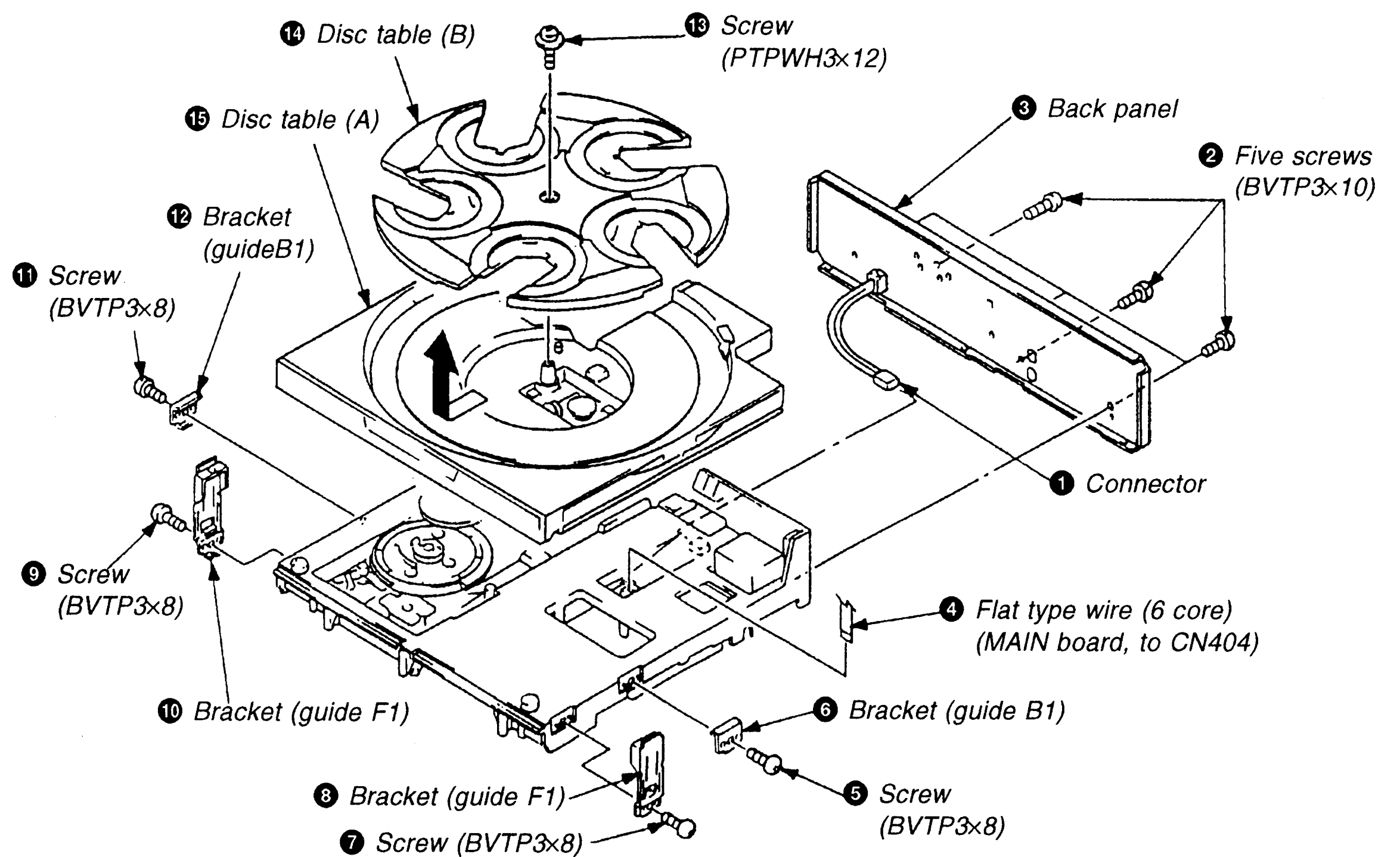
SECTION 2 DISASSEMBLY

Note : Follow the disassembly procedure in the numerical order given.

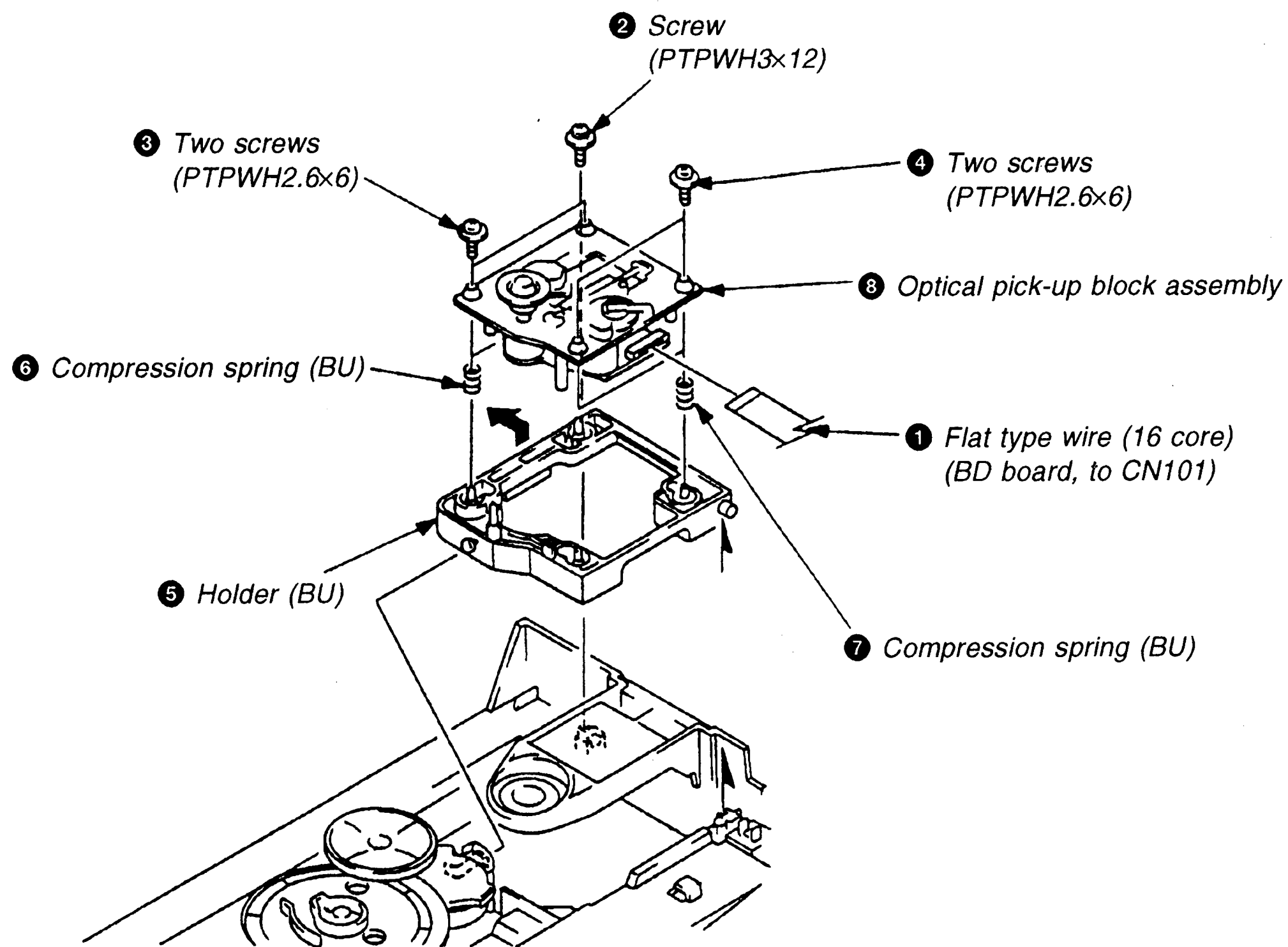
2-1. CASE, BOTTOM PLATE AND FRONT PANEL



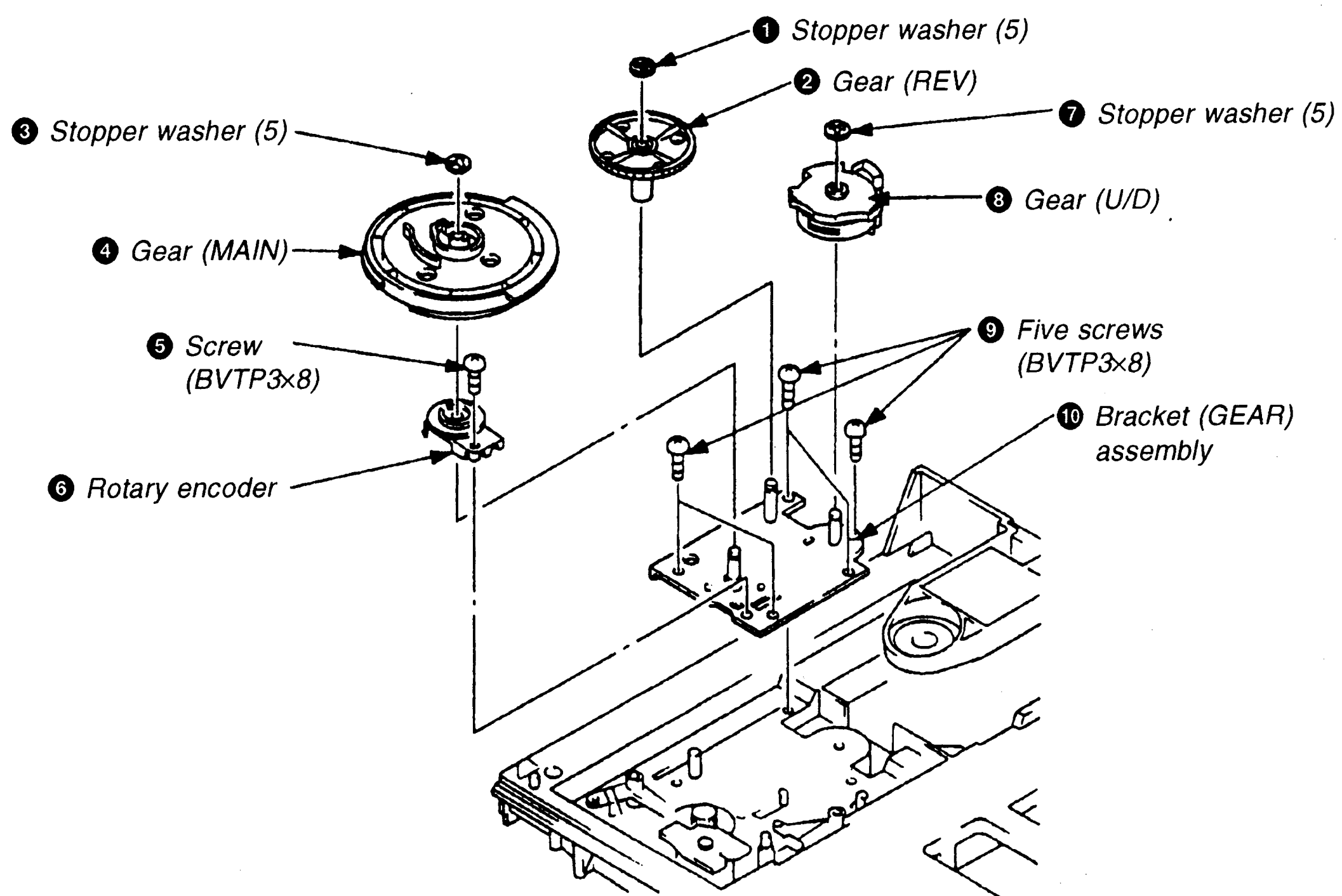
2-2. BACK PANEL AND DISC TABLE



2-3. OPTICAL PICK-UP BLOCK ASSEMBLY



2-4. BRACKET (GEAR) ASSEMBLY



Note : As for the installation of the main gear, refer to "Note for MAIN GAER installation" on page 4.

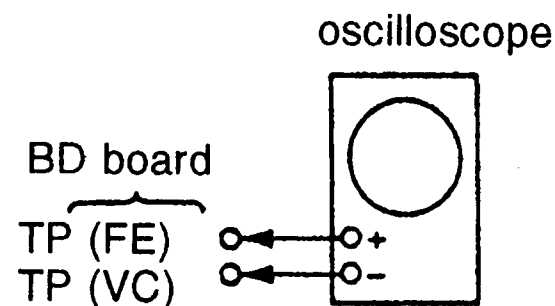
SECTION 3

ELECTRICAL BLOCK CHECKING

Note :

1. CD Block is basically designed to operate without adjustment. Therefore, check each item in order given.
2. Use YEDS-18 disc (3-702-101-01) unless otherwise indicated.
3. Use an oscilloscope with more than 10M impedance.
4. Clean the object lens using an applicator with neutral detergent when the signal level is low than specified value with the following checks.

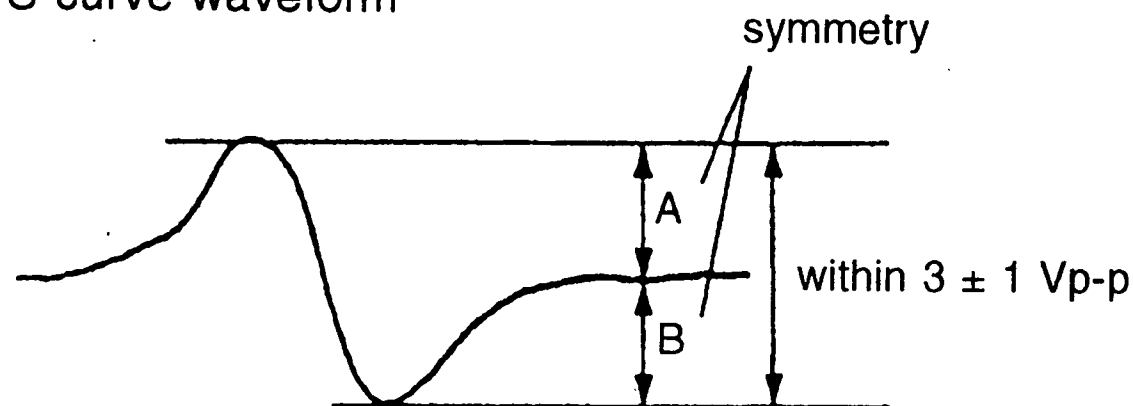
S Curve Check



Procedure :

1. Connect oscilloscope to test point TP (FE) on BD board.
2. Connect between test point TP (FEI) and TP (VC) by lead wire.
3. Turn Power switch on.
4. Put disc (YEDS-18) in and turn Power switch on again and actuate the focus search. (actuate the focus search when disc table is moving in and out.)
5. Check if the oscilloscope waveform (S-curve) is symmetrical between A and B. And confirm peak to peak level within 3 ± 1 Vp-p.

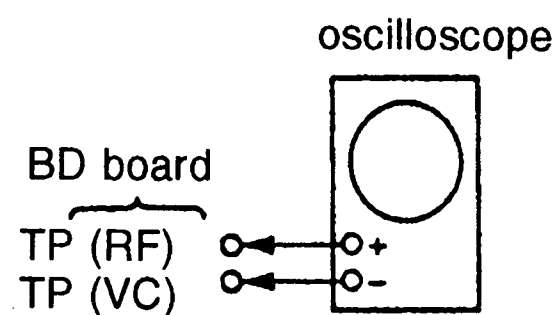
S-curve waveform



6. After check, remove the lead wire connected in step 2.

- Note :**
- Try to measure several times to make sure than the ratio of A : B or B : A is more than 10 : 7.
 - Take sweep time as long as possible and light up the brightness to obtain best waveform.

RF Level Check



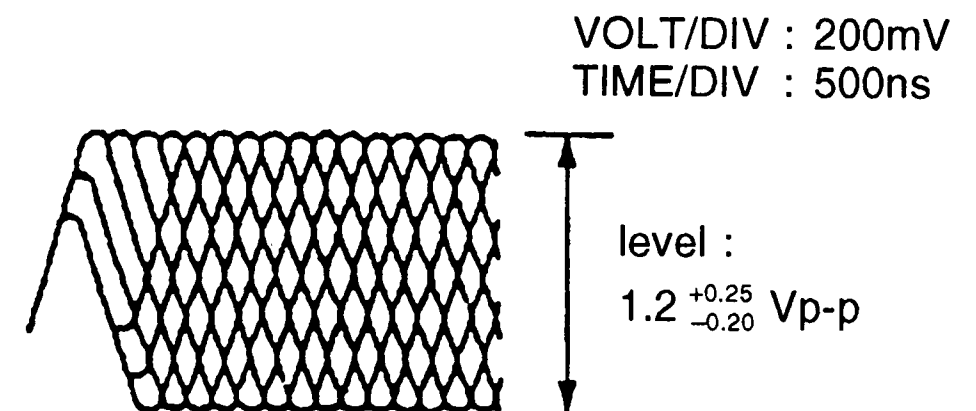
Procedure :

1. Connect oscilloscope to test point TP (RF) on BD board.
2. Turned Power switch on.
3. Put disc (YEDS-18) in to play the number five track.
4. Confirm that oscilloscope waveform is clear and check if RF signal level is correct or not.

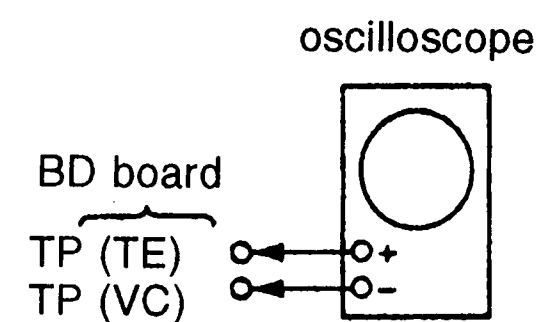
Note :

A clear RF signal waveform means that the shape "◇" can be clearly distinguished at the center of the waveform.

RF signal waveform



E-F Balance Check



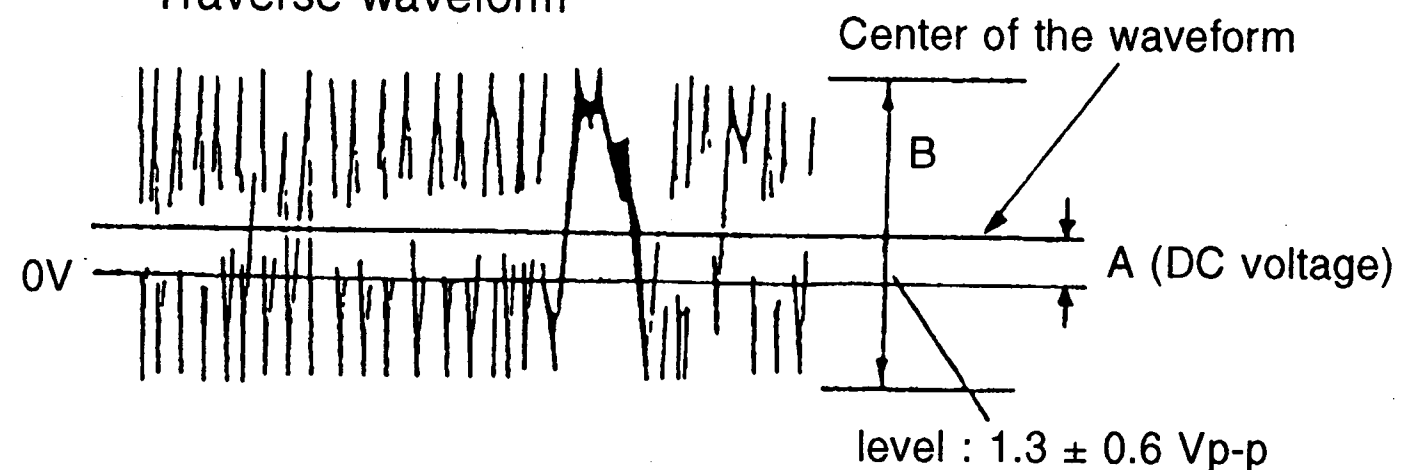
Procedure :

1. Connect test point TP (ADJ) to ground with a lead wire.
2. Connect oscilloscope to test point TP (TE) on BD board.
3. Turned Power switch on.
4. Put disc (YEDS-18) in to play the number five track.
5. Press the "3" button. (The tracking servo and the sledding servo are turned OFF.)
6. Check the level B of the oscilloscope's waveform and the A (DC voltage) of the center of the Traverse waveform.

Confirm the following :

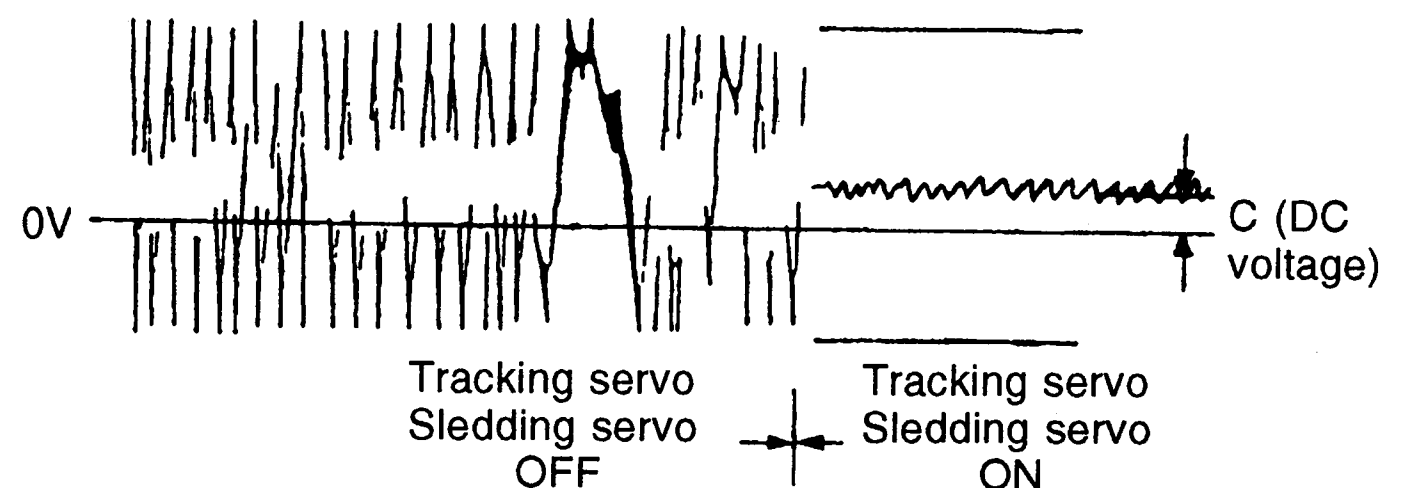
$$A/B \times 100 = \text{less than } \pm 22\%$$

Traverse waveform



7. Press the "8" button. (The tracking servo and sledding servo are turned ON.) Confirm the C (DC voltage) is almost equal to the A (DC voltage) is step 6.

Traverse waveform



8. Disconnect the lead wire of TP (ADJ) connected in step 1.

• IC303 SYSTEM CONTROL (CXP82320-064Q)

Pin No.	Pin Name	I/O	Function
1	AF ADJ	I	Test mode pin. Normally: "H"
2	RM IN	I	Remote control signal input pin.
3	ADJ	I	Test mode pin. Normally: "H"
4	XLT	O	Serial data latch signal output pin.
5	LDON	O	Optical pick-up laser diode control pin. ON: "H"
6	TSENS	I	Slit sensor of disc table input pin.
7	PRGL	O	Latch signal output pin to digital filter IC.
8	CLK	O	Serial clock output pin.
9	AMUTE	O	Analog muting control signal output pin.
10	DATA	O	Serial data output pin.
11	SQCK	O	Subcode Q data readout clock output pin.
12	SUBQ	I	Subcode Q data input pin.
13	SCLK	O	Internal register of SSP/DSP readout clock output pin.
14 to 16	S1 to S3	I	Loading encoder input pin.
17 to 22	–	–	Not used.
23 to 27	KEY1 to KEY5	I	Key input pin. (A/D)
28	–	–	Not used.
29	FB. MODE	I	Disc table feeling and stop precision fine adjustment pin.
30	RST	I	Reset signal input pin.
31	EXTAL	I	10MHz clock input pin.
32	XTAL	O	10MHz clock output pin.
33	Vss	–	GND
34	LODOUT	O	Loading motor control pin.
35	LODIN	O	Loading motor control pin.
36	TBLR	O	Table motor control pin.
37	TBLL	O	Table motor control pin.
38 to 57	P1 to P20	O	FL segment output pin.
58 to 62	–	–	Not used.
63 to 70	G1 to G8	O	FL timing output pin.
71	VG	–	–30V
72	VDD	–	+5V
73	–	–	+5V
74 to 77	–	–	Not used.
78	D.SENS	I	Disc sensor input pin. "L": disc preset.
79	SENSE	I	SENSE signal input pin.
80	SCOR	I	Subcode Q data readout timing signal input pin.

SECTION 5 EXPLODED VIEWS

NOTE:

- Items marked "*" are not stocked since they are seldom required for routine service. Some delay should be anticipated when ordering these items.
- The mechanical parts with no reference number in the exploded views are not supplied.
- Hardware (# mark) list and accessories and packing materials are given in the last of this parts list.

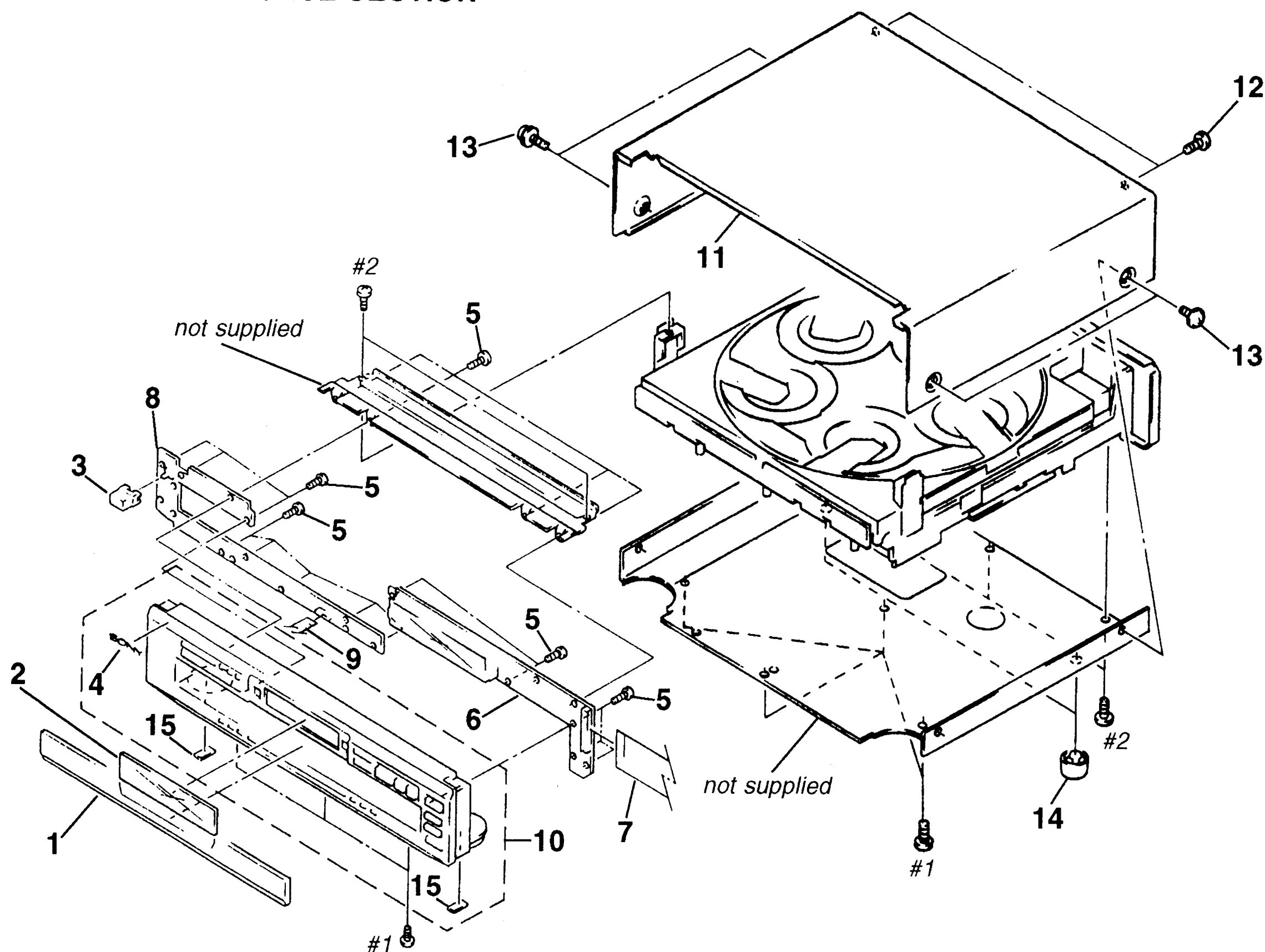
• Abbreviation

- CND : Canadian model
- G : German model
- EE : East European model
- AUS : Australina model
- CH : Chinese model

The components identified by mark \triangle or dotted line with mark \triangle are critical for safety. Replace only with part number specified.

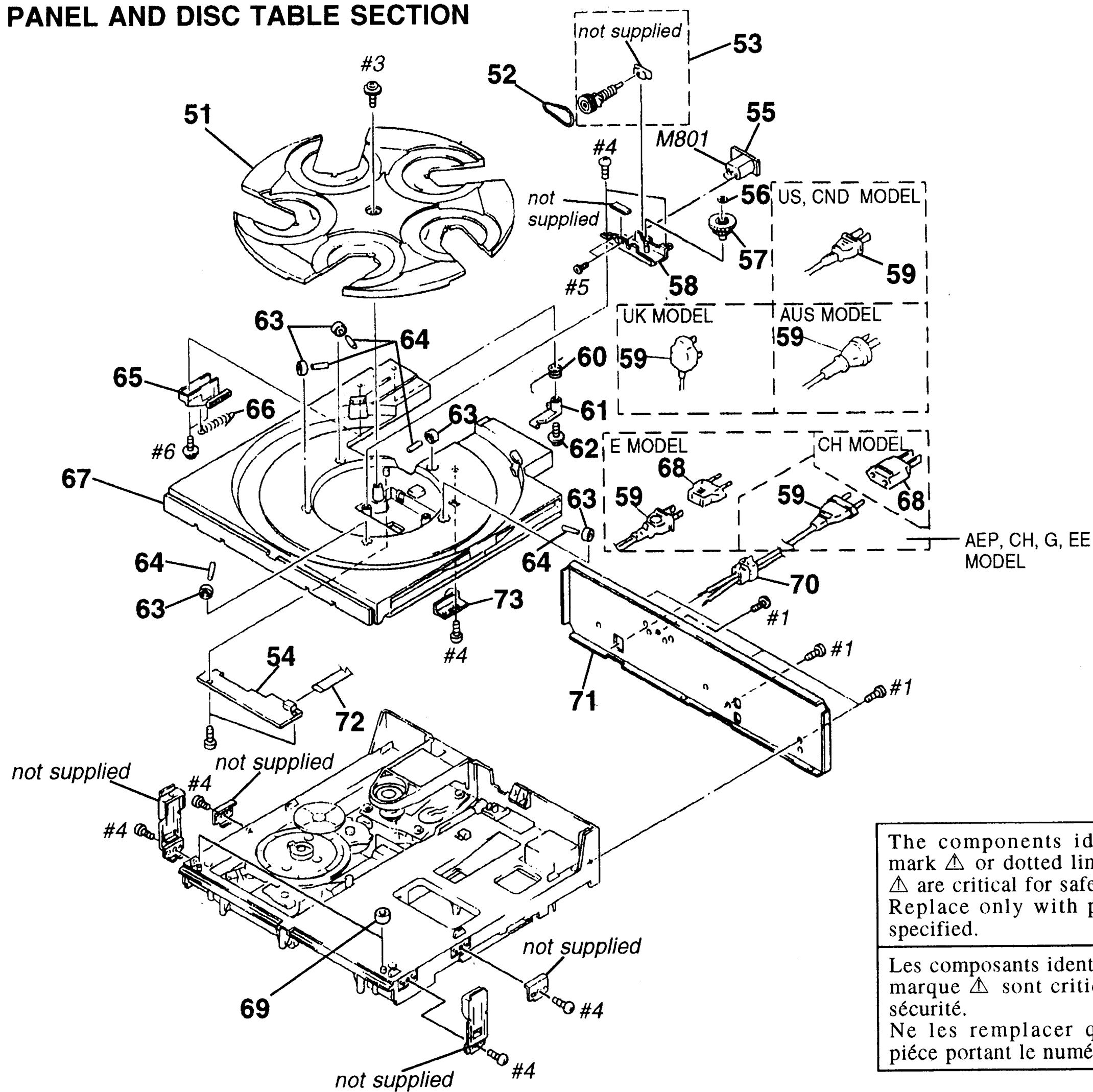
Les composants identifiés par une marque \triangle sont critiques pour la sécurité. Ne les remplacer que par une pièce portant le numéro spécifié.

5-1. FRONT PANEL AND CASE SECTION



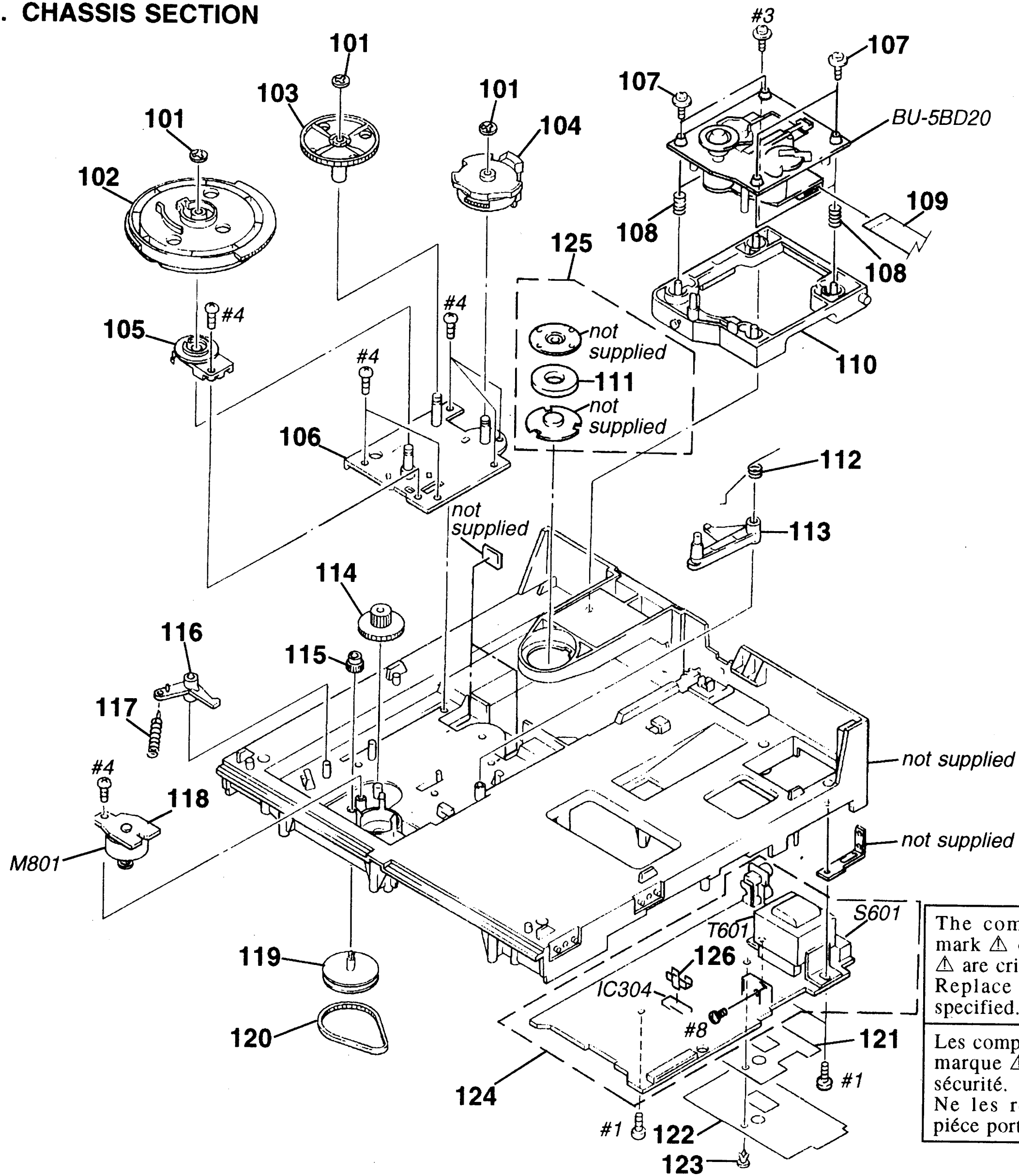
REF.No.	Part No.	Description	Remark	REF.No.	Part No.	Description	Remark
1	4-978-488-01	PANEL, LOADING		10	X-4946-568-1	PANEL ASSY, FRONT (CE305: AEP, E, AUS, CH, G)	
2	4-978-487-01	PLATE (FL), INDICATION		10	X-4946-569-1	PANEL ASSY, FRONT (CE405: US, CND)	
3	4-977-589-01	KNOB, POWER		10	X-4946-570-1	PANEL ASSY, FRONT (CE405: AEP, UK, E, AUS, CH, G, EE)	
4	4-963-404-21	EMBLEM (5-A), SONY		10	X-4946-961-1	PANEL ASSY, FRONT (C250Z)	
5	4-951-620-01	SCREW (2.6 x 8), +BVTP		10	X-4946-962-1	PANEL ASSY, FRONT (C350Z)	
* 6	A-4673-782-A	DISPLAY BOARD, COMPLETE (CE305/CE405)		* 11	4-978-492-11	CASE	
* 6	A-4673-954-A	DISPLAY BOARD, COMPLETE (C250Z/C350Z)		12	3-703-685-21	SCREW (+BV 3 x 8)	
7	1-776-125-11	WIRE (FLAT TYPE) (35 CORE)		13	3-704-366-01	SCREW (CASE) (M3 x 8)	
* 8	A-4673-781-A	10 KEY BOARD, COMPLETE (CE305/CE405)		14	4-933-601-01	FOOT	
* 8	A-4673-953-A	10 KEY BOARD, COMPLETE (C250Z/C350Z)		15	4-978-398-01	CUSHION	
9	1-776-124-11	WIRE (FLAT TYPE) (9 CORE)					
10	X-4946-567-1	PANEL ASSY, FRONT (CE305: US, CND)					

5-2. BACK PANEL AND DISC TABLE SECTION



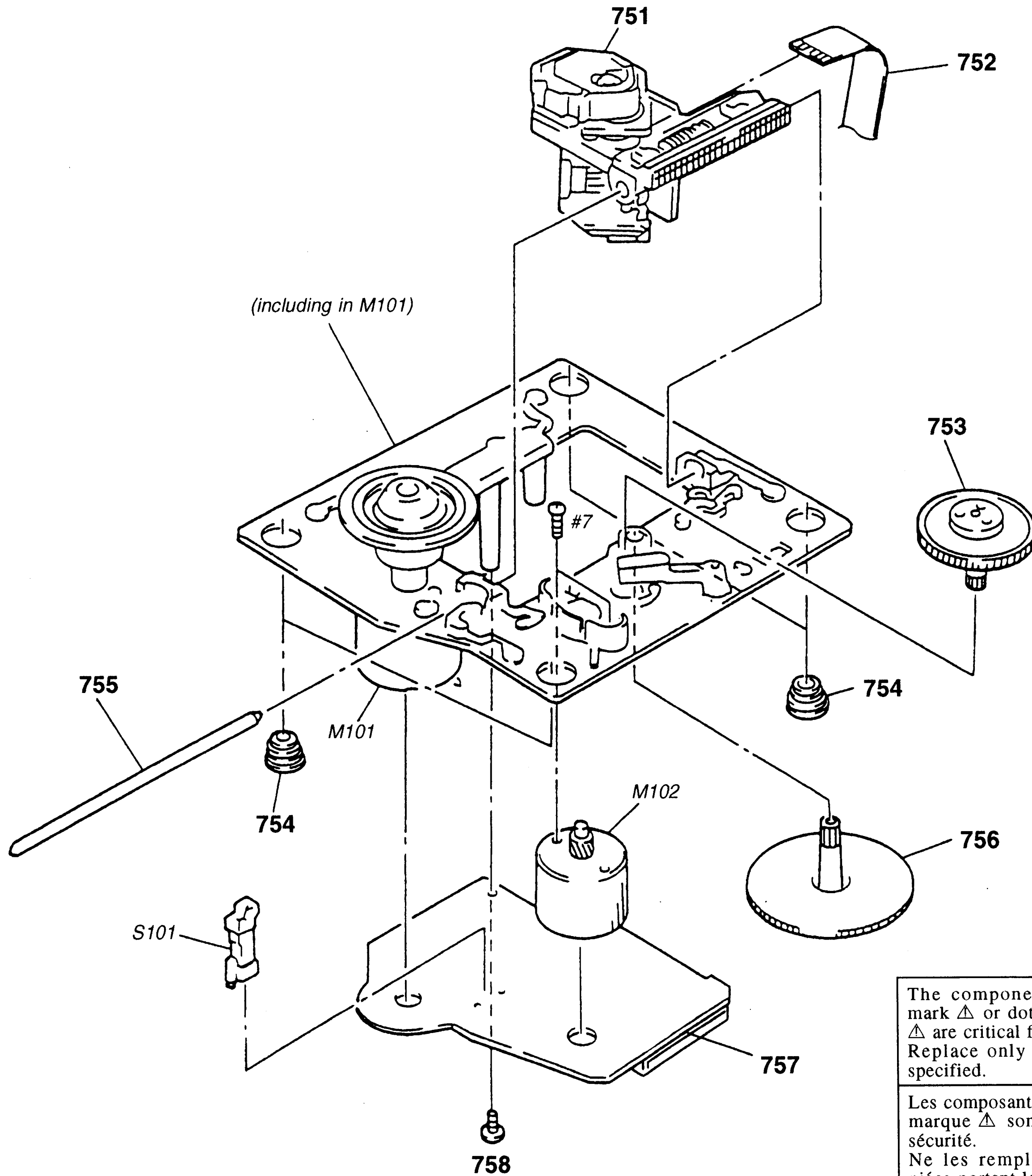
REF.No.	Part No.	Description	Remark	REF.No.	Part No.	Description	Remark
51	4-957-299-11	TABLE (B), DISC		Δ 68	1-569-008-11	ADAPTER, CONVERSION 2P (CH)	
52	4-957-304-01	BELT (RM)		* 69	4-951-619-01	CUSHION (A)	
53	X-4943-479-1	GEAR (ROTARY A) ASSY		* 70	3-703-244-00	BUSHING (2104), CORD (EXCEPT E)	
* 54	1-659-737-11	SENSOR BOARD		* 70	3-703-571-11	BUSHING (S) (4516), CORD (E)	
* 55	1-647-364-11	TABLE MOTOR BOARD		* 71	4-978-490-01	PANEL, BACK (CE305: US)	
56	3-325-697-01	WASHER		* 71	4-978-490-11	PANEL, BACK (CE305: CND)	
57	4-957-284-01	GEAR (ROTARY B)		* 71	4-978-490-31	PANEL, BACK (CE305: G)	
58	X-4943-477-1	BRACKET (RM) ASSY		* 71	4-978-490-41	PANEL, BACK (CE305: AUS)	
Δ 59	1-558-943-61	CORD, POWER (E)		* 71	4-978-490-51	PANEL, BACK (CE305: E)	
Δ 59	1-575-651-21	CORD, POWER (AEP, CH, G, EE)		* 71	4-978-490-61	PANEL, BACK (CE305: CH)	
Δ 59	1-590-926-11	CORD, POWER (US, CND)		* 71	4-978-490-71	PANEL, BACK (C250Z)	
Δ 59	1-696-845-11	CORD, POWER (AUS)		* 71	4-978-490-81	PANEL, BACK (C350Z)	
Δ 59	1-751-529-11	CORD, POWER (UK)		* 71	4-978-767-01	PANEL, BACK (CE405: US)	
60	4-957-293-01	SPRING (RACK RELEASE)		* 71	4-978-767-11	PANEL, BACK (CE405: CND)	
61	4-957-291-01	LEVER (RACK RELEASE)		* 71	4-978-767-21	PANEL, BACK (AEP/CE405: CH, EE)	
62	4-957-868-01	SCREW (+PTPWH 2.6 x 20)		* 71	4-978-767-31	PANEL, BACK (CE405: G)	
63	X-4924-457-1	ROLLER ASSY		* 71	4-978-767-41	PANEL, BACK (UK)	
64	4-934-376-01	SHAFT (ROLLER)		* 71	4-978-767-51	PANEL, BACK (CE405: AUS)	
65	4-957-292-01	SLIDER (RACK)		* 71	4-978-767-61	PANEL, BACK (CE405: E)	
66	4-957-294-01	SPRING (D.T), TENSION		72	1-751-052-11	WIRE (FLAT TYPE) (6 CORE)	
67	4-957-298-01	TABLE (A), DISC		73	X-4943-480-1	BRACKET (ROLLER D) ASSY	
Δ 68	1-569-007-11	ADAPTER, CONVERSION 2P (E)		M801	A-4660-525-A	MOTOR ASSY, ROTARY (TABLE)	

5-3. CHASSIS SECTION



REF.No.	Part No.	Description	Remark	REF.No.	Part No.	Description	Remark
101	4-957-283-01	WASHER (5), STOPPER		* 118	1-659-738-11	LOADING BOARD	
102	4-957-288-01	GEAR (MAIN)		119	X-4941-529-1	PULLEY ASSY	
103	4-957-287-01	GEAR (REV)		120	4-944-490-01	BELT (TIMING)	
104	4-957-286-01	GEAR (U/D)		* 121	4-957-555-01	SHEET, INSULATING (EXCEPT US, CND)	
105	1-466-996-11	ENCODER, ROTARY		* 122	4-957-556-01	SHEET, INSULATING (EXCEPT US, CND)	
106	X-4946-195-1	BRACKET (GEAR) ASSY		123	3-531-576-11	RIVET (EXCEPT US, CND)	
107	4-933-134-01	SCREW (+PTPWH M2.6 x 6)		* 124	A-4673-784-A	MAIN BOARD, COMPLETE (US, CND, CH)	
108	4-948-503-01	SPRING (BU), COMPRESSION		* 124	A-4673-785-A	MAIN BOARD, COMPLETE (EXCEPT US, CND, CH, E)	
109	1-765-443-11	WIRE (FLAT TYPE) (23 CORE)		* 124	A-4673-786-A	MAIN BOARD, COMPLETE (E)	
110	4-957-289-12	HOLDER (BU)		* 125	A-4660-652-A	MAGNET ASSY	
111	1-452-538-41	MAGNET		* 126	4-922-525-01	HEAT SINK	
112	4-957-281-01	SPRING (LOCK LEVER)		Δ S601	1-572-675-11	SWITCH, POWER VOLTAGE CHANGE (VOLTAGE SELECTOR) (E)	
113	4-957-279-01	LEVER, LOCK		Δ T601	1-423-830-11	TRANSFORMER, POWER (US, CND)	
114	4-957-303-01	GEAR (LOADING C)		Δ T601	1-429-394-11	TRANSFORMER, POWER (EXCEPT US, CND, E)	
115	4-934-375-01	GEAR (LOADING B)		Δ T601	1-429-395-11	TRANSFORMER, POWER (E)	
116	4-957-285-01	LEVER, SET		M802	A-4660-914-A	MOTOR ASSY, LOADING (LOADING)	
117	4-962-087-01	SPRING (S), TENSION					

5-4. BASE UNIT SECTION (BU-5BD20)



The components identified by mark Δ or dotted line with mark Δ are critical for safety. Replace only with part number specified.

Les composants identifiés par une marque Δ sont critiques pour la sécurité. Ne les remplacer que par une pièce portant le numéro spécifié.

REF.No.	Part No.	Description	Remark	REF.No.	Part No.	Description	Remark
Δ 751	8-848-367-11	OPTICAL PICK-UP KSS-213B/K-N		756	4-917-564-01	GEAR (P), FLATNESS	
752	1-769-069-11	WIRE (FLAT TYPE) (16 CORE)		* 757	A-4673-509-A	BD BOARD, COMPLETE	
753	4-917-567-21	GEAR (M)		758	4-951-620-01	SCREW (2.6 x 8), +BVTP	
754	4-951-940-01	INSULATOR (BU)		M101	X-4917-523-3	MOTOR ASSY (SPINDLE)	
755	4-917-565-01	SHAFT, SLED		M102	X-4917-504-1	MOTOR ASSY (SLED)	
				S101	1-572-085-11	SWITCH, LEAF (LIMIT)	

ELECTRICAL PARTS LIST

NOTE:

The components identified by mark Δ or dotted line with mark Δ are critical for safety. Replace only with part number specified.

Les composants identifiés par une marque Δ sont critiques pour la sécurité. Ne les remplacer que par une pièce portant le numéro spécifié.

When indicating parts by reference number, please include the board name.

- Due to standardization, replacements in the parts list may be different from the parts specified in the diagrams or the components used on the set.
- Items marked "*" are not stocked since they are seldom required for routine service. Some delay should be anticipated when ordering these items.
- RESISTORS
All resistors are in ohms
METAL: Metal-film resistor
F : nonflammable
- SEMICONDUCTORS
In each case, u: μ , for example:
uA...: μ A..., uPA...: μ PA..., uPB...: μ PB...,
uPC...: μ PC..., uPD...: μ PD...

- CAPACITORS
uF : μ F
- COILS
uH : μ H
- Abbreviation
CND : Canadian model
G : German model
IT : Italian model
EE : East European model
AUS : Australian model
CH : Chinese model

REF.No.	Part No.	Description	Remark	REF.No.	Part No.	Description	Remark
*	A-4673-781-A	10 KEY BOARD, COMPLETE (CE305/CE405)		S711	1-554-303-21	SWITCH, TACTILE (SHUFFLE)	
*	A-4673-953-A	10 KEY BOARD, COMPLETE (C250Z/C350Z)		S712	1-554-303-21	SWITCH, TACTILE (PROGRAM)	
		*****		S713	1-554-303-21	SWITCH, TACTILE (CHECK)	
		< CONNECTOR >		S714	1-554-303-21	SWITCH, TACTILE (CLEAR)	
				S715	1-554-303-21	SWITCH, TACTILE (REPEAT)	
* CN701	1-568-828-11	SOCKET, CONNECTOR 9P		S716	1-554-303-21	SWITCH, TACTILE (DISC 5)	
		< RESISTOR >		S717	1-554-303-21	SWITCH, TACTILE (DISC 4)	
R701	1-249-415-11	CARBON 680 5% 1/4W F		S718	1-554-303-21	SWITCH, TACTILE (DISC 3)	
R702	1-249-417-11	CARBON 1K 5% 1/4W F		S719	1-554-303-21	SWITCH, TACTILE (TIME)	
R703	1-249-419-11	CARBON 1.5K 5% 1/4W F		S720	1-554-303-21	SWITCH, TACTILE (DISC 1)	
R704	1-249-421-11	CARBON 2.2K 5% 1/4W F		S721	1-554-303-21	SWITCH, TACTILE (DISC 2)	
R705	1-249-423-11	CARBON 3.3K 5% 1/4W F		S722	1-554-303-21	SWITCH, TACTILE (7)	
R706	1-249-427-11	CARBON 6.8K 5% 1/4W F		S723	1-554-303-21	SWITCH, TACTILE (6)	
R707	1-249-431-11	CARBON 15K 5% 1/4W		S724	1-554-303-21	SWITCH, TACTILE (5)	
R708	1-249-437-11	CARBON 47K 5% 1/4W		S725	1-554-303-21	SWITCH, TACTILE (4)	
R709	1-249-415-11	CARBON 680 5% 1/4W F		S726	1-554-303-21	SWITCH, TACTILE (3)	
R710	1-249-417-11	CARBON 1K 5% 1/4W F		S727	1-554-303-21	SWITCH, TACTILE (2)	
R711	1-249-419-11	CARBON 1.5K 5% 1/4W F		S751	1-554-118-00	SWITCH, PUSH (1 KEY)(POWER)	
R712	1-249-421-11	CARBON 2.2K 5% 1/4W F				*****	
R713	1-249-423-11	CARBON 3.3K 5% 1/4W F		*	A-4673-509-A	BD BOARD, COMPLETE	
R714	1-249-427-11	CARBON 6.8K 5% 1/4W F				*****	
R715	1-249-431-11	CARBON 15K 5% 1/4W				< CAPACITOR >	
R716	1-249-437-11	CARBON 47K 5% 1/4W		C101	1-163-005-11	CERAMIC CHIP 470PF 10% 50V	
R717	1-249-415-11	CARBON 680 5% 1/4W F		C102	1-163-038-91	CERAMIC CHIP 0.1uF 25V	
R718	1-249-417-11	CARBON 1K 5% 1/4W F		C103	1-163-005-11	CERAMIC CHIP 470PF 10% 50V	
R719	1-249-415-11	CARBON 680 5% 1/4W F		C105	1-135-155-21	TANTALUM CHIP 4.7uF 10% 16V	
R720	1-249-417-11	CARBON 1K 5% 1/4W F		C106	1-164-346-11	CERAMIC CHIP 1uF 16V	
R721	1-249-419-11	CARBON 1.5K 5% 1/4W F		C107	1-164-346-11	CERAMIC CHIP 1uF 16V	
R722	1-249-421-11	CARBON 2.2K 5% 1/4W F		C108	1-163-035-00	CERAMIC CHIP 0.047uF 50V	
R723	1-249-423-11	CARBON 3.3K 5% 1/4W F		C109	1-163-145-00	CERAMIC CHIP 0.0015uF 5% 50V	
		< SWITCH >		C110	1-163-017-00	CERAMIC CHIP 0.0047uF 5% 50V	
S701	1-554-303-21	SWITCH, TACTILE (8)		C111	1-163-251-11	CERAMIC CHIP 100PF 5% 50V	
S702	1-554-303-21	SWITCH, TACTILE (9)		C112	1-163-038-91	CERAMIC CHIP 0.1uF 25V	
S703	1-554-303-21	SWITCH, TACTILE (10)		C113	1-163-038-91	CERAMIC CHIP 0.1uF 25V	
S704	1-554-303-21	SWITCH, TACTILE (>10)		C115	1-126-607-11	ELECT CHIP 47uF 20% 4V	
S705	1-554-303-21	SWITCH, TACTILE (EDIT/TIME FADE) (CE305/CE405)		C116	1-126-607-11	ELECT CHIP 47uF 20% 4V	
S706	1-554-303-21	SWITCH, TACTILE (PEAK SEARCH) (CE305/CE405)		C117	1-126-209-11	ELECT 100uF 20% 4V	
S707	1-554-303-21	SWITCH, TACTILE (1)		C118	1-163-275-11	CERAMIC CHIP 0.001uF 5% 50V	
S708	1-554-303-21	SWITCH, TACTILE (MUSIC SCAN)		C119	1-163-231-11	CERAMIC CHIP 15PF 5% 50V	
S709	1-554-303-21	SWITCH, TACTILE (FADER)		C123	1-164-232-11	CERAMIC CHIP 0.01uF 50V	
S710	1-554-303-21	SWITCH, TACTILE (CONTINUE)					

REF.No.	Part No.	Description	Remark	REF.No.	Part No.	Description	Remark
C124	1-164-005-11	CERAMIC CHIP	0.47uF	25V	R158	1-216-111-91	METAL GLAZE 390K 5% 1/10W
C140	1-163-038-91	CERAMIC CHIP	0.1uF	25V	R159	1-216-101-00	METAL CHIP 150K 5% 1/10W
C141	1-163-038-91	CERAMIC CHIP	0.1uF	25V	R160	1-216-295-91	CONDUCTOR, CHIP (2012)
C151	1-163-237-11	CERAMIC CHIP	27PF	5% 50V	R161	1-216-308-00	METAL CHIP 4.7 5% 1/10W
C153	1-163-038-91	CERAMIC CHIP	0.1uF	25V	R162	1-216-101-00	METAL CHIP 150K 5% 1/10W
C154	1-164-336-11	CERAMIC CHIP	0.33uF	25V			< SWITCH >
C156	1-163-237-11	CERAMIC CHIP	27PF	5% 50V	S101	1-572-085-11	SWITCH, LEAF (LIMIT)
C157	1-163-145-00	CERAMIC CHIP	0.0015uF	5% 50V			*****
C159	1-163-019-00	CERAMIC CHIP	0.0068uF	10% 50V	*	A-4673-782-A	DISPLAY BOARD, COMPLETE (CE305/CE405)
C161	1-163-038-91	CERAMIC CHIP	0.1uF	25V	*	A-4673-954-A	DISPLAY BOARD, COMPLETE (C250Z/C350Z)
		< CONNECTOR >					*****
CN101	1-770-072-11	CONNECTOR, FFC 23P					
CN102	1-770-014-11	CONNECTOR, FFC/FPC 16P					
		< IC >					
IC101	8-752-369-78	IC CXD2545Q					
IC102	8-759-176-09	IC BA6392FP					
IC103	8-752-072-45	IC CXA1821M-T6					
		< TRANSISTOR >					
Q101	8-729-010-08	TRANSISTOR MSB710-R					
		< RESISTOR >					
R101	1-216-077-00	METAL CHIP	15K	5%	1/10W		
R102	1-216-097-91	METAL GLAZE	100K	5%	1/10W		
R103	1-216-077-00	METAL CHIP	15K	5%	1/10W		
R104	1-216-085-00	METAL CHIP	33K	5%	1/10W		
R105	1-216-097-91	METAL GLAZE	100K	5%	1/10W		
R106	1-216-061-00	METAL CHIP	3.3K	5%	1/10W		
R107	1-216-061-00	METAL CHIP	3.3K	5%	1/10W		
R108	1-216-073-00	METAL CHIP	10K	5%	1/10W		
R109	1-216-121-91	METAL GLAZE	1M	5%	1/10W		
R110	1-216-025-91	METAL GLAZE	100	5%	1/10W		
R112	1-216-049-91	METAL GLAZE	1K	5%	1/10W		
R123	1-216-073-00	METAL CHIP	10K	5%	1/10W		
R124	1-216-097-91	METAL GLAZE	100K	5%	1/10W		
R125	1-216-049-91	METAL GLAZE	1K	5%	1/10W		
R126	1-216-049-91	METAL GLAZE	1K	5%	1/10W		
R127	1-216-049-91	METAL GLAZE	1K	5%	1/10W		
R131	1-216-037-00	METAL CHIP	330	5%	1/10W		
R135	1-216-295-91	CONDUCTOR, CHIP		(2012)			
R136	1-216-295-91	CONDUCTOR, CHIP		(2012)			
R137	1-216-295-91	CONDUCTOR, CHIP		(2012)			
R138	1-216-295-91	CONDUCTOR, CHIP		(2012)			
R141	1-216-089-91	METAL GLAZE	47K	5%	1/10W		
R142	1-216-081-00	METAL CHIP	22K	5%	1/10W		
R143	1-216-103-91	METAL GLAZE	180K	5%	1/10W		
R144	1-216-103-91	METAL GLAZE	180K	5%	1/10W		
R146	1-216-073-00	METAL CHIP	10K	5%	1/10W		
R147	1-216-081-00	METAL CHIP	22K	5%	1/10W		
R148	1-216-001-00	METAL CHIP	10	5%	1/10W		
R149	1-216-003-11	METAL GLAZE	12	5%	1/10W		
		< CAPACITOR >					
C801	1-161-494-00	CERAMIC	0.022uF	25V			
		< CONNECTOR >					
CN801	1-764-411-11	PIN, CONNECTOR (PC BOARD)	35P				
		< FLUORESCENT INDICATOR >					
FL801	1-517-164-11	INDICATOR TUBE, FLUORESCENT					
		< IC >					
IC801	8-759-339-53	IC GP1U28XB					
		< RESISTOR >					
R801	1-249-415-11	CARBON	680	5%	1/4W	F	
R802	1-249-417-11	CARBON	1K	5%	1/4W	F	
R803	1-249-419-11	CARBON	1.5K	5%	1/4W	F	
R804	1-249-421-11	CARBON	2.2K	5%	1/4W	F	
R805	1-249-423-11	CARBON	3.3K	5%	1/4W	F	
R806	1-249-427-11	CARBON	6.8K	5%	1/4W	F	
R807	1-249-431-11	CARBON	15K	5%	1/4W		
R808	1-247-871-11	CARBON	47K	5%	1/4W		
R809	1-249-427-11	CARBON	6.8K	5%	1/4W	F	
R810	1-249-431-11	CARBON	15K	5%	1/4W		(CE305/CE405)
		< SWITCH >					
S801	1-554-303-21	SWITCH, TACTILE (DISC SKIP)					
S802	1-554-303-21	SWITCH, TACTILE (≡ OPEN/CLOSE)					
S803	1-554-303-21	SWITCH, TACTILE (■)					
S804	1-554-303-21	SWITCH, TACTILE (▣)					
S805	1-554-303-21	SWITCH, TACTILE (▷)					
S806	1-554-303-21	SWITCH, TACTILE (▷▷, AMS)					
S807	1-554-303-21	SWITCH, TACTILE (◁◁, AMS)					
S808	1-554-303-21	SWITCH, TACTILE (◀)					
S809	1-554-303-21	SWITCH, TACTILE (▶)					
S810	1-554-303-21	SWITCH, TACTILE (EX-CHANGE)					
S811	1-554-303-21	SWITCH, TACTILE (DISC CHECK) (CE305/CE405)					

LOADING **MAIN**

REF.No.	Part No.	Description	Remark	REF.No.	Part No.	Description	Remark
*****				C512	1-164-159-11	CERAMIC	0.1uF 50V
*	1-659-738-11	LOADING BOARD		C602	1-126-944-11	ELECT	3300uF 20% 16V
		*****		C603	1-126-942-61	ELECT	1000uF 20% 16V
		< MOTOR >		C604	1-126-963-11	ELECT	4.7uF 20% 50V
M802	A-4660-914-A	MOTOR ASSY, LOADING (LOADING)		C605	1-126-963-11	ELECT	4.7uF 20% 50V
*****				C605	1-126-163-11	ELECT	4.7uF 20% 50V
*	A-4673-784-A	MAIN BOARD, COMPLETE (US,CND,CH)		C606	1-126-963-11	ELECT	4.7uF 20% 50V
		*****		C607	1-126-941-11	ELECT	470uF 20% 6.3V
*	A-4673-785-A	MAIN BOARD, COMPLETE		C608	1-104-666-11	ELECT	220uF 20% 10V
		*****		C609	1-124-918-11	ELECT	47uF 20% 63V
		(EXCEPT US,CND,E,CH)		C610	1-124-907-11	ELECT	10uF 20% 50V
*	A-4673-786-A	MAIN BOARD, COMPLETE (E)		C614	1-104-665-11	ELECT	100uF 20% 16V
		*****		C616	1-161-494-00	CERAMIC	0.022uF 25V
*	4-922-525-01	HEAT SINK		C619	1-104-664-11	ELECT	47uF 20% 16V
	7-685-871-01	SCREW +BVTT 3X6 (S)		C620	1-161-494-00	CERAMIC	0.022uF 25V
		< CAPACITOR >		C622	1-162-306-11	CERAMIC	0.01uF 20% 16V
C301	1-162-199-31	CERAMIC	10PF 5% 50V	C624	1-161-494-00	CERAMIC	0.022uF 25V
C302	1-162-199-31	CERAMIC	10PF 5% 50V	C625	1-161-494-00	CERAMIC	0.022uF 25V
C303	1-164-159-11	CERAMIC	0.1uF 50V	C626	1-161-494-00	CERAMIC	0.022uF 25V
C305	1-124-443-00	ELECT	100uF 20% 10V	C628	1-104-664-11	ELECT	47uF 20% 16V
C306	1-124-442-00	ELECT	330uF 20% 6.3V	C648	1-161-494-00	CERAMIC	0.022uF 25V
C315	1-161-494-00	CERAMIC	0.022uF 25V	C649	1-161-494-00	CERAMIC	0.022uF 25V
C316	1-164-159-11	CERAMIC	0.1uF 50V	C651	1-104-664-11	ELECT	47uF 20% 16V
C317	1-161-494-00	CERAMIC	0.022uF 25V	C652	1-104-664-11	ELECT	47uF 20% 16V
C320	1-162-290-31	CERAMIC	470PF 10% 50V	C653	1-136-165-00	FILM	0.1uF 5% 50V
C401	1-162-282-31	CERAMIC	100PF 10% 50V	C654	1-136-165-00	FILM	0.1uF 5% 50V
C402	1-162-215-31	CERAMIC	47PF 5% 50V	< CONNECTOR >			
C403	1-162-215-31	CERAMIC	47PF 5% 50V	CN401	1-750-640-11	CONNECTOR, FFC/FPC 23P	
C404	1-130-479-00	MYLAR	0.0047uF 5% 50V	CN402	1-764-411-11	PIN, CONNECTOR (PC BOARD) 35P	
C405	1-130-472-00	MYLAR	0.0012uF 5% 50V	* CN403	1-568-852-11	SOCKET, CONNECTOR 9P	
C406	1-124-443-00	ELECT	100uF 20% 10V	* CN404	1-568-825-11	SOCKET, CONNECTOR 6P	
C407	1-161-494-00	CERAMIC	0.022uF 25V	* CN601	1-573-047-11	PIN, CONNECTOR (PC BOARD) 2P	
C408	1-104-664-11	ELECT	47uF 20% 16V	< DIODE >			
C410	1-162-290-31	CERAMIC	470PF 10% 50V	D302	8-719-987-63	DIODE 1N4148M	
C412	1-164-159-11	CERAMIC	0.1uF 50V	D601	8-719-200-82	DIODE 11ES2	
C501	1-162-282-31	CERAMIC	100PF 10% 50V	D602	8-719-200-82	DIODE 11ES2	
C502	1-162-215-31	CERAMIC	47PF 5% 50V	D603	8-719-200-82	DIODE 11ES2	
C503	1-162-215-31	CERAMIC	47PF 5% 50V	D604	8-719-200-82	DIODE 11ES2	
C504	1-130-479-00	MYLAR	0.0047uF 5% 50V	D605	8-719-200-82	DIODE 11ES2	
C505	1-130-472-00	MYLAR	0.0012uF 5% 50V	D606	8-719-923-60	DIODE MTZJ-T-77-9.1A	
C506	1-124-443-00	ELECT	100uF 20% 10V	D608	8-719-987-63	DIODE 1N4148M	
			(US,CND,E,CH)	D609	8-719-010-34	DIODE UZ-4.7BSC	
C506	1-124-994-11	ELECT	100uF 20% 10V	< IC >			
			(AEP,UK,G,IT,EE,AUS)	IC301	8-759-362-47	IC CXD8567AM	
C507	1-161-494-00	CERAMIC	0.022uF 25V	IC303	8-752-867-57	IC CXP82320-064Q	
C508	1-104-664-11	ELECT	47uF 20% 16V	IC304	8-759-821-32	IC CXA1291P	
C509	1-126-962-11	ELECT	3.3uF 20% 50V	IC401	8-759-145-58	IC uPC4558C	
C510	1-162-290-31	CERAMIC	470PF 10% 50V	IC501	8-759-145-58	IC uPC4558C	
				IC601	8-759-061-65	IC LA5602	
				IC602	8-749-011-78	IC BA17807T	
				IC603	8-759-633-42	IC M5293L	

REF.No.	Part No.	Description	Remark	REF.No.	Part No.	Description	Remark
		< JACK >					
J301	1-770-719-11	JACK, PIN 2P (LINE OUT)		△ R306	1-212-942-00	FUSIBLE 2.2 5% 1/2W	F
		< COIL >		R308	1-249-429-11	CARBON 10K 5% 1/4W	
L301	1-410-503-11	INDUCTOR 3.3uH		R309	1-249-417-11	CARBON 1K 5% 1/4W	F
L302	1-410-503-11	INDUCTOR 3.3uH		R310	1-249-417-11	CARBON 1K 5% 1/4W	F
L303	1-410-503-11	INDUCTOR 3.3uH		R311	1-249-425-11	CARBON 4.7K 5% 1/4W	F
L304	1-410-503-11	INDUCTOR 3.3uH		R312	1-249-437-11	CARBON 47K 5% 1/4W	
L305	1-410-397-21	FERRITE BEAD INDUCTOR		R313	1-249-417-11	CARBON 1K 5% 1/4W	
L306	1-410-397-21	FERRITE BEAD INDUCTOR		R314	1-249-425-11	CARBON 4.7K 5% 1/4W	F
L401	1-410-503-11	INDUCTOR 3.3uH		R315	1-249-425-11	CARBON 4.7K 5% 1/4W	F
L501	1-410-503-11	INDUCTOR 3.3uH		R316	1-249-425-11	CARBON 4.7K 5% 1/4W	F
L601	1-412-473-21	INDUCTOR 0uH		R317	1-249-427-11	CARBON 6.8K 5% 1/4W	F
L603	1-412-473-21	INDUCTOR 0uH		R318	1-249-427-11	CARBON 6.8K 5% 1/4W	F
L604	1-412-473-21	INDUCTOR 0uH		R319	1-249-427-11	CARBON 6.8K 5% 1/4W	F
L605	1-410-503-11	INDUCTOR 3.3uH		R320	1-249-427-11	CARBON 6.8K 5% 1/4W	F
L606	1-410-397-21	FERRITE BEAD INDUCTOR		R321	1-249-429-11	CARBON 10K 5% 1/4W	
L607	1-410-503-11	INDUCTOR 3.3uH		R322	1-249-429-11	CARBON 10K 5% 1/4W	
L608	1-410-503-11	INDUCTOR 3.3uH		R323	1-249-441-11	CARBON 100K 5% 1/4W	
L609	1-412-473-21	INDUCTOR 0uH		R324	1-249-429-11	CARBON 10K 5% 1/4W	
		< TRANSISTOR >		R330	1-249-427-11	CARBON 6.8K 5% 1/4W	F
Q201	8-729-119-78	TRANSISTOR 2SC2785-HFE		R403	1-249-436-11	CARBON 39K 5% 1/4W	
Q402	8-729-141-26	TRANSISTOR 2SC3622A-LK		R404	1-249-436-11	CARBON 39K 5% 1/4W	
Q404	8-729-119-78	TRANSISTOR 2SC2785-HFE		R405	1-249-431-11	CARBON 15K 5% 1/4W	
Q502	8-729-141-26	TRANSISTOR 2SC3622A-LK		R406	1-249-431-11	CARBON 15K 5% 1/4W	
Q503	8-729-900-65	TRANSISTOR DTA144ES		R407	1-249-437-11	CARBON 47K 5% 1/4W	
Q601	8-729-119-76	TRANSISTOR 2SA1175-HFE		R408	1-249-437-11	CARBON 47K 5% 1/4W	
		< RESISTOR >		R409	1-249-419-11	CARBON 1.5K 5% 1/4W	F
R205	1-249-430-11	CARBON 12K 5% 1/4W		R410	1-249-419-11	CARBON 1.5K 5% 1/4W	F
R206	1-249-429-11	CARBON 10K 5% 1/4W		R411	1-247-887-00	CARBON 220K 5% 1/4W	
R251	1-249-440-11	CARBON 82K 5% 1/4W		R412	1-249-417-11	CARBON 1K 5% 1/4W	F
R252	1-249-440-11	CARBON 82K 5% 1/4W		R416	1-249-425-11	CARBON 4.7K 5% 1/4W	F
R253	1-249-441-11	CARBON 100K 5% 1/4W		R503	1-249-436-11	CARBON 39K 5% 1/4W	
R254	1-249-441-11	CARBON 100K 5% 1/4W		R504	1-249-436-11	CARBON 39K 5% 1/4W	
R255	1-249-393-11	CARBON 10 5% 1/4W	F	R505	1-249-431-11	CARBON 15K 5% 1/4W	
R256	1-249-427-11	CARBON 6.8K 5% 1/4W	F	R506	1-249-431-11	CARBON 15K 5% 1/4W	
R257	1-247-889-00	CARBON 270K 5% 1/4W		R507	1-249-437-11	CARBON 47K 5% 1/4W	
R258	1-247-889-00	CARBON 270K 5% 1/4W		R508	1-249-437-11	CARBON 47K 5% 1/4W	
R259	1-247-860-11	CARBON 16K 5% 1/4W		R509	1-249-419-11	CARBON 1.5K 5% 1/4W	F
R260	1-247-883-00	CARBON 150K 5% 1/4W		R510	1-249-419-11	CARBON 1.5K 5% 1/4W	F
R261	1-249-431-11	CARBON 15K 5% 1/4W		R511	1-247-887-00	CARBON 220K 5% 1/4W	
R262	1-249-382-11	CARBON 1.2 5% 1/6W	F	R512	1-249-417-11	CARBON 1K 5% 1/4W	F
R263	1-249-382-11	CARBON 1.2 5% 1/6W	F	R516	1-249-425-11	CARBON 4.7K 5% 1/4W	F
R264	1-249-393-11	CARBON 10 5% 1/4W	F	R517	1-249-441-11	CARBON 100K 5% 1/4W	
R301	1-249-424-11	CARBON 3.9K 5% 1/4W	F	R601	1-249-435-11	CARBON 33K 5% 1/4W	
R302	1-247-807-31	CARBON 100K 5% 1/4W		R602	1-249-429-11	CARBON 10K 5% 1/4W	
R303	1-249-411-11	CARBON 330 5% 1/4W	F	R603	1-249-438-11	CARBON 56K 5% 1/4W	
△ R305	1-212-942-00	FUSIBLE 2.2 5% 1/2W	F	R604	1-249-429-11	CARBON 10K 5% 1/4W	
				R607	1-249-411-11	CARBON 330 5% 1/4W	
						< SWITCH >	
				△ S601	1-572-675-11	SWITCH, POWER VOLTAGE CHANGE (VOLTAGE SLECTOR) (E)	

<p>The components identified by mark △ or dotted line with mark △ are critical for safety. Replace only with part number specified.</p>	<p>Les composants identifiés par une marque △ sont critiques pour la sécurité. Ne les remplacer que par une pièce portant le numéro spécifié.</p>
---	---

MAIN **SENSOR** **TABLE MOTOR**

REF.No.	Part No.	Description	Remark
		< VIBRATOR >	
X301	1-579-833-21	VIBRATOR, CRYSTAL (33MHz)	
X401	1-579-175-11	VIBRATOR, CERAMIC (10MHz)	

*	1-659-737-11	SENSOR BOARD *****	
		< CONNECTOR >	
CN851	1-573-383-11	PIN, CONNECTOR (PC BOARD) 2P	
CN852	1-750-243-11	SOCKET, CONNECTOR 6P	
		< DIODE >	
D851	8-749-924-18	DIODE PHOTO INTERRUPTER RPI-1391	
D852	8-749-924-30	DIODE PHOTO REFLECTOR GP2S28	
		< RESISTOR >	
R851	1-249-416-11	CARBON 820 5% 1/4W F	
R852	1-249-406-11	CARBON 120 5% 1/4W F	

*	1-647-364-11	TABLE MOTOR BOARD *****	
		< MOTOR >	
M801	A-4660-525-A	MOTOR ASSY, ROTARY (TABLE)	

		MISCELLANEOUS *****	
7	1-776-125-11	WIRE (FLAT TYPE) (35 CORE)	
9	1-776-124-11	WIRE (FLAT TYPE) (9 CORE)	
△ 59	1-558-943-61	CORD POWER (E)	
△ 59	1-575-651-21	CORD POWER (AEP,CH,G,EE)	
△ 59	1-590-926-11	CORD POWER (US,CND)	
△ 59	1-696-845-11	CORD POWER (AUS)	
△ 59	1-751-529-11	CORD POWER (UK)	
△ 68	1-569-007-11	ADAPTOR, CONVERSION 2P (E)	
△ 68	1-569-008-11	ADAPTOR, CONVERSION 2P (CH)	
72	1-751-052-11	WIRE (FLAT TYPE) (6 CORE)	
105	1-466-996-11	ENCODER, ROTARY	
109	1-765-443-11	WIRE (FLAT TYPE) (23 CORE)	
△ 751	8-848-367-11	OPTICAL PICK-UP KSS-213B-K/N	
△ 752	1-769-069-11	WIRE (FLAT TYPE) (16 CORE)	
M101	X-4917-523-3	MOTOR ASSY (SPINDLE)	

REF.No.	Part No.	Description	Remark
M102	X-4917-504-1	MOTOR ASSY (SLED)	
M801	A-4660-525-A	MOTOR ASSY, ROTARY (TABLE)	
M802	A-4660-914-A	MOTOR ASSY, LOADING (LOADING)	
△ S601	1-572-675-11	SWITCH, POWER VOLTAGE CHANGE (VOLTAGE SELECTOR) (E)	
S101	1-572-085-11	SWITCH, LEAF (LIMIT)	
△ T601	1-423-830-11	TRANSFORMER, POWER (US,CND)	
△ T601	1-429-394-11	TRANSFORMER, POWER (EXCEPT US,CND,E)	
△ T601	1-429-395-11	TRANSFORMER, POWER (E)	

		ACCESSORIES & PACKING MATERIALS *****	
	1-473-519-11	REMOTE COMMANDER (RM-DC41) (C350Z/CE405)	
	4-941-762-11	COVER (MLY), BATTERY (For RM-DC41)	
	1-558-271-11	CORD, CONNECTION (AUDIO 108cm)	
	3-810-585-11	MANUAL, INSTRUCTION (ENGLISH,FRENCH,SPANISH,SWEDISH, CHINESE) (CND,AEP,E,CH,UK)	
	3-810-585-21	MANUAL, INSTRUCTION (ENGLISH) (US,AUS)	
	3-810-585-31	MANUAL, INSTRUCTION (GERMAN,DUTCH,PORTUGUESE,ITALIAN) (AEP,G)	
	3-810-585-41	MANUAL, INSTRUCTION (SWEDISH,FINISH,DANNISH) (CE405:AEP)	
	3-810-585-51	MANUAL, INSTRUCTION (ENGLISH,RUSSIAN,POLISH) (EE)	
*	4-979-552-01	CUSHION (F)	
*	4-979-553-01	CUSHION (R)	
*	4-979-554-01	INDIVIDUAL CARTON (CE405/CE305:AEP)	
*	4-979-759-01	INDIVIDUAL CARTON (CE305)	
*	4-981-602-01	INDIVIDUAL CARTON (C350Z)	
*	4-981-603-01	INDIVIDUAL CARTON (C250Z)	

		HARDWARE LIST *****	
#1	7-685-647-79	SCREW +BVTP 3x10 TYPE2 N-S	
#2	7-682-548-04	SCREW +BVTT 3x8 (S)	
#3	7-685-648-79	SCREW (M3 x 12) TAPPING	
#4	7-685-646-79	SCREW +BVTP 3x8 TYPE2 N-S	
#5	7-621-772-00	SCREW +B 2x3	
#6	7-685-134-19	SCREW +PTPWH 2.6x8 (TYPE2)	
#7	7-621-255-15	SCREW +P 2x3	
#8	7-685-871-01	SCREW +BVTT 3x6 (S)	

The components identified by mark △ or dotted line with mark △ are critical for safety. Replace only with part number specified.	Les composants identifiés par une marque △ sont critiques pour la sécurité. Ne les remplacer que par une pièce portant le numéro spécifié.
--	--