

HCD-DZ500F

SERVICE MANUAL

AEP Model
UK Model



Ver. 1.2 2006.03



HCD-DZ500F is the amplifier, DVD/CD and tuner section in DAV-DZ500F.

This system incorporates with Dolby*¹ Digital and Dolby Pro Logic (II) adaptive matrix surround decoder and the DTS*² Digital Surround System.

*1 Manufactured under license from Dolby Laboratories. "Dolby," "Pro Logic," and the double-D symbol are trademarks of Dolby Laboratories.

*2 Manufactured under license from Digital Theater Systems, Inc. "DTS" and "DTS Digital Surround" are trademarks of Digital Theater Systems, Inc.

Model Name Using Similar Mechanism	HCD-DZ300
Mechanism Type	CDM85-DVBU102
Optical Pick-up Name	KHM-310CAA/C2NP

SPECIFICATIONS

Amplifier section

Stereo mode (rated)	55 W + 55 W (3 ohms at 1 kHz, DIN)
Surround mode (reference)	music power output Front: 143 W + 143 W (with SS-TS46) Center*: 143 W (with SS-CT46) Surround*: 143 W + 143 W (with SS-TS46B) Subwoofer*: 285 W (with SS-WS42)

* Depending on the sound field settings and the source, there may be no sound output.

Inputs

TV, SAT	Sensitivity: 450 mV Impedance: 50 kilohms
AUDIO IN	Sensitivity: 250/125 mV Impedance: 50 kilohms
Phones	Accepts low- and high-impedance headphones.

Super Audio CD/DVD system

Laser	Semiconductor laser (Super Audio CD/DVD: $\lambda = 650$ nm) (CD: $\lambda = 790$ nm)
Emission duration:	continuous
Signal format system	PAL/NTSC
Frequency response (at 2 CH STEREO mode)	DVD (PCM): 2 Hz to 22 kHz (± 1.0 dB) CD: 2 Hz to 20 kHz (± 1.0 dB)
Harmonic distortion	Less than 0.03 %

Tuner section

System	PLL quartz-locked digital synthesizer system
FM tuner section	
Tuning range	87.5 – 108.0 MHz (50 kHz step)
Antenna (aerial)	FM wire antenna (aerial)
Antenna (aerial) terminals	75 ohms, unbalanced
Intermediate frequency	10.7 MHz

AM tuner section

Tuning range	531 – 1,602 kHz (with the interval set at 9 kHz)
Antenna (aerial)	AM loop antenna (aerial)
Intermediate frequency	450 kHz

Video section

Outputs	Video: 1 V _{p-p} 75 ohms R/G/B: 0.7 V _{p-p} 75 ohms COMPONENT: Y: 1 V _{p-p} 75 ohms P _B /C _B , P _R /C _R : 0.7 V _{p-p} 75 ohms VIDEO: 1 V _{p-p} 75 ohms
Input	

General

Power requirements	220 – 240 V AC, 50/60 Hz
Power consumption	On: 160 W Standby: 0.3 W (at the Power Saving mode)
Dimensions (approx.)	430 × 70 × 295 mm (w/h/d) incl. projecting parts
Mass (approx.)	3.6 kg

Design and specifications are subject to change without notice.

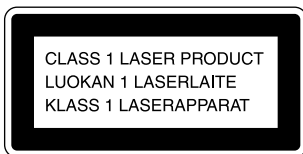
SUPER AUDIO CD/DVD RECEIVER

9-879-629-03
2006C16-1
© 2006.03

Sony Corporation
Home Audio Division
Published by Sony Techno Create Corporation

SONY®

Laser component in this product is capable of emitting radiation exceeding the limit for Class 1.



This appliance is classified as a CLASS 1 LASER product. The CLASS 1 LASER PRODUCT MARKING is located on the rear exterior.

CAUTION

Use of controls or adjustments or performance of procedures other than those specified herein may result in hazardous radiation exposure.

Notes on chip component replacement

- Never reuse a disconnected chip component.
- Notice that the minus side of a tantalum capacitor may be damaged by heat.

Flexible Circuit Board Repairing

- Keep the temperature of the soldering iron around 270 °C during repairing.
- Do not touch the soldering iron on the same conductor of the circuit board (within 3 times).
- Be careful not to apply force on the conductor when soldering or unsoldering.

UNLEADED SOLDER



Boards requiring use of unleaded solder are printed with the lead-free mark (LF) indicating the solder contains no lead. (Caution: Some printed circuit boards may not come printed with the lead free mark due to their particular size)

: LEAD FREE MARK

Unleaded solder has the following characteristics.

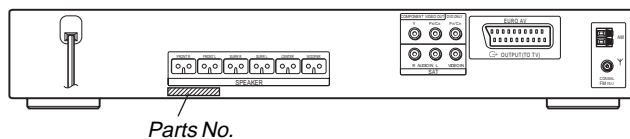
- Unleaded solder melts at a temperature about 40 °C higher than ordinary solder.
Ordinary soldering irons can be used but the iron tip has to be applied to the solder joint for a slightly longer time. Soldering irons using a temperature regulator should be set to about 350 °C.
Caution: The printed pattern (copper foil) may peel away if the heated tip is applied for too long, so be careful!
- Strong viscosity
Unleaded solder is more viscous (sticky, less prone to flow) than ordinary solder so use caution not to let solder bridges occur such as on IC pins, etc.
- Usable with ordinary solder
It is best to use only unleaded solder but unleaded solder may also be added to ordinary solder.

SAFETY-RELATED COMPONENT WARNING!!

COMPONENTS IDENTIFIED BY MARK  OR DOTTED LINE WITH MARK  ON THE SCHEMATIC DIAGRAMS AND IN THE PARTS LIST ARE CRITICAL TO SAFE OPERATION. REPLACE THESE COMPONENTS WITH SONY PARTS WHOSE PART NUMBERS APPEAR AS SHOWN IN THIS MANUAL OR IN SUPPLEMENTS PUBLISHED BY SONY.

MODEL IDENTIFICATION

– Rear Panel –



Model	Part No.
EXCEPT RU model	2-588-156-0□
RU model	2-588-156-1□

- Abbreviation
RU : Russian model.

TABLE OF CONTENTS

1. SERVICING NOTE	4	5-6. Schematic Diagram – DMB10 Section (3/4) –	31
2. GENERAL	6	5-7. Schematic Diagram – DMB10 Section (4/4) –	32
3. DISASSEMBLY		5-8. Printed Wiring Board – MAIN Section (Side A) –	33
3-1. Disassembly Flow	8	5-9. Printed Wiring Board – MAIN Section (Side B) –	34
3-2. Case, Front Panel Assy	9	5-10. Schematic Diagram – MAIN Section (1/7) –	35
3-3. FL Board, H/P Board	10	5-11. Schematic Diagram – MAIN Section (2/7) –	36
3-4. STBY Board, IPOD Board, KEY Board	10	5-12. Schematic Diagram – MAIN Section (3/7) –	37
3-5. I/O Board, DC Fan	11	5-13. Schematic Diagram – MAIN Section (4/7) –	38
3-6. DMB10 Board	11	5-14. Schematic Diagram – MAIN Section (5/7) –	39
3-7. MAIN Board	12	5-15. Schematic Diagram – MAIN Section (6/7) –	40
3-8. DVD Mechanism Deck (CDM85-DVBU102)	13	5-16. Schematic Diagram – MAIN Section (7/7) –	41
3-9. Tray	13	5-17. Printed Wiring Board – PANEL Section (1/2) –	42
3-10. Belt, MS-203 Board	14	5-18. Schematic Diagram – PANEL Section (1/2) –	43
3-11. Base Unit	15	5-19. Printed Wiring Board – PANEL Section (2/2) –	44
3-12. Optical Pick-up (KHM-310CAA/C2NP)	15	5-20. Schematic Diagram – PANEL Section (2/2) –	45
4. TEST MODE	16	5-21. Printed Wiring Board – I/O Section (Side A) –	46
5. DIAGRAMS		5-22. Printed Wiring Board – I/O Section (Side B) –	47
5-1. Block Diagram – RF/SERVO Section –	22	5-23. Schematic Diagram – I/O Section (1/2) –	48
– VIDEO Section –	23	5-24. Schematic Diagram – I/O Section (2/2) –	49
– AMP Section –	24	6. EXPLODED VIEWS	
– AUDIO Section –	25	6-1. Overall Section	61
– POWER Section –	26	6-2. Front Panel Assy Section	62
5-2. Printed Wiring Board – DMB10 Section (Side A) –	27	6-3. Chassis Section	63
5-3. Printed Wiring Board – DMB10 Section (Side B) –	28	6-4. DVD Mechanism Deck Section	64
5-4. Schematic Diagram – DMB10 Section (1/4) –	29	7. ELECTRICAL PARTS LIST	65
5-5. Schematic Diagram – DMB10 Section (2/4) –	30		

SECTION 1 SERVICING NOTE

NOTES ON HANDLING THE OPTICAL PICK-UP BLOCK OR BASE UNIT

The laser diode in the optical pick-up block may suffer electrostatic break-down because of the potential difference generated by the charged electrostatic load, etc. on clothing and the human body. During repair, pay attention to electrostatic break-down and also use the procedure in the printed matter which is included in the repair parts.
The flexible board is easily damaged and should be handled with care.

NOTES ON LASER DIODE EMISSION CHECK

The laser beam on this model is concentrated so as to be focused on the disc reflective surface by the objective lens in the optical pick-up block. Therefore, when checking the laser diode emission, observe from more than 30 cm away from the objective lens.

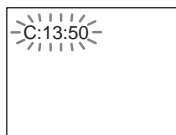
LASER DIODE AND FOCUS SEARCH OPERATION CHECK

Carry out the "S curve check" in "CD section adjustment" and check that the S curve waveform is output several times.

Self-diagnosis Function

(When letters/numbers appear in the display)

When the self-diagnosis function is activated to prevent the system from malfunctioning, a 5-character service number (e.g., C 13 50) with a combination of a letter and 4 digits appears on the screen and the front panel display. In this case, check the following table.



First 3 characters of the service number	Cause and/or corrective action
C 13	The disc is dirty. ➔Clean the disc with a soft cloth
C 31	The disc is not inserted correctly. ➔Restart the system, then re-insert the disc correctly.
E XX (xx is a number)	To prevent a malfunction, the system has performed the self-diagnosis function. ➔Contact your nearest Sony dealer or local authorized Sony service facility and give the 5-character service number. Example: E 61 10

DISC SLOT LOCK

The disc slot lock function for the anti-theft of an demonstration disc in the store is equipped.

Setting Procedure :

1. Press the button to turn the set on.
2. Press the button to set DVD function.
3. Insert a disc.
4. Press the stick and the button simultaneously for five seconds.
5. The message "LOCKED" is displayed and the slot is locked.

Releasing Procedure :

1. Press the stick and the button simultaneously for five seconds again.
2. The message "UNLOCKED" is displayed and the slot is unlocked.

Note: When "LOCKED" is displayed, the slot lock is not released by turning power on/off with the button.

Note 1: Regarding the notification symbol "R"
Because the number of the operating buttons of this product are limited, some operations require use of the operating buttons of the remote commander. When a specific operation requires use of the operating buttons of the remote commander, "R" is added to the specific operating procedure in this manual.
Example "R" The button of remote commander.

Note 2: Incorrect operations may be performed if the test mode is not entered properly.
In this case, press the button to turn the power off, and retry to enter the test mode.

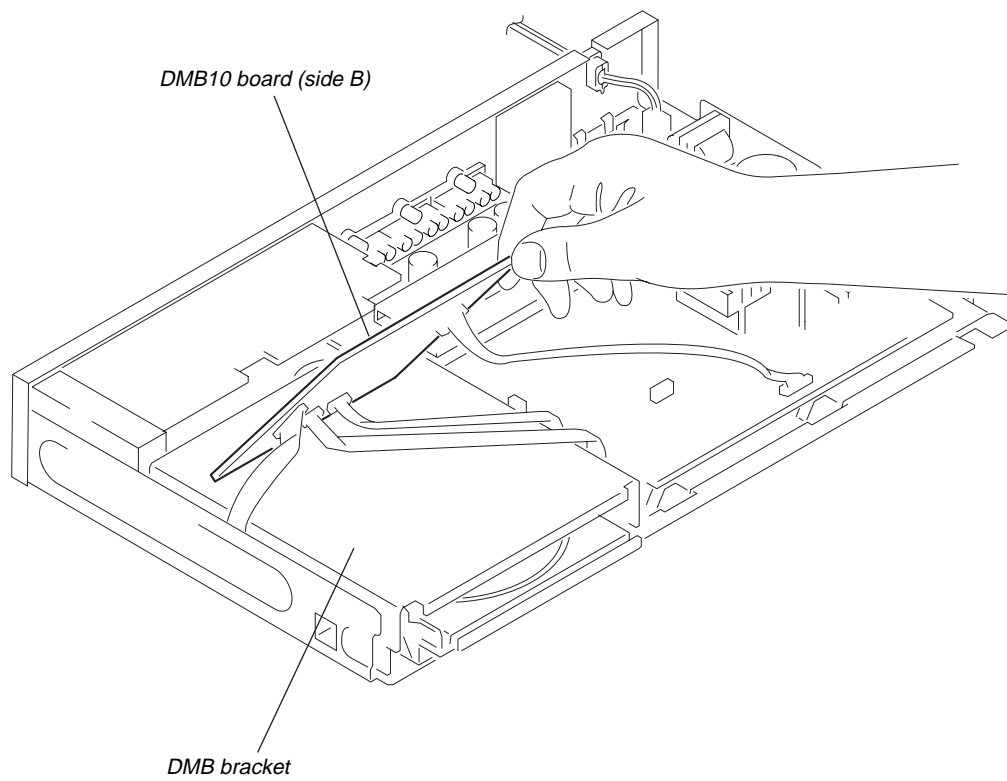
Note 3: If the disc tray does not open and the message "LOCKED" appears, press the stick and the button simultaneously for seconds or longer.
Then remove your fingers from the above stick and the button. The message "UNLOCKED" appears for 2 seconds and the disc tray opens.

Note on DMB10 board replacement

New part of EEPROM (IC103) on the DMB10 board cannot be used. Therefore, if the mounted DMB10 board (A-1108-644-A) is replaced, exchange new EEPROM (IC103) with that used before the replacement.

• SERVICE POSITION (DMB10 BOARD)**When servicing side B of the DMB10 board**

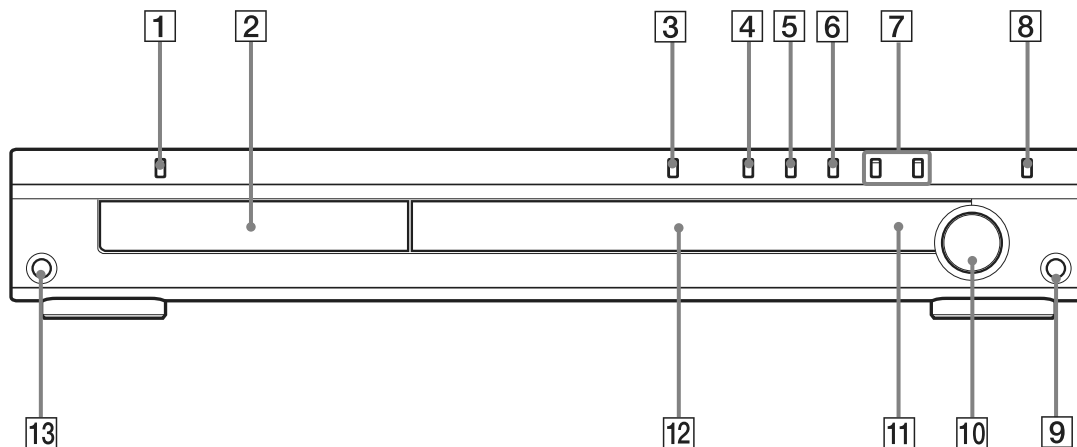
Remove the DMB10 board from bracket.
(Refer to DISASSEMBLY 3-6. (page 11)).
Set the DMB10 board facing the side B upward as shown.
Connect the cable and make the repair work.



Index to Parts and Controls

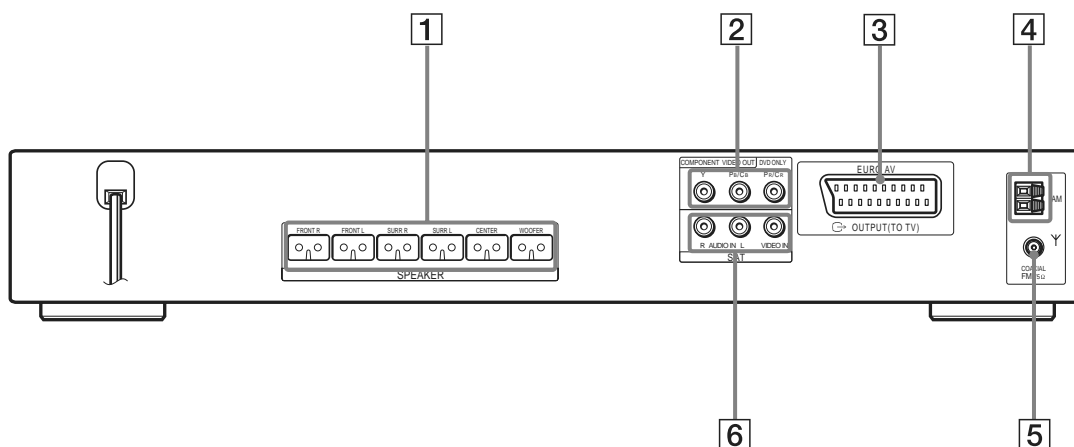
For more information, refer to the pages indicated in parentheses.

Front panel



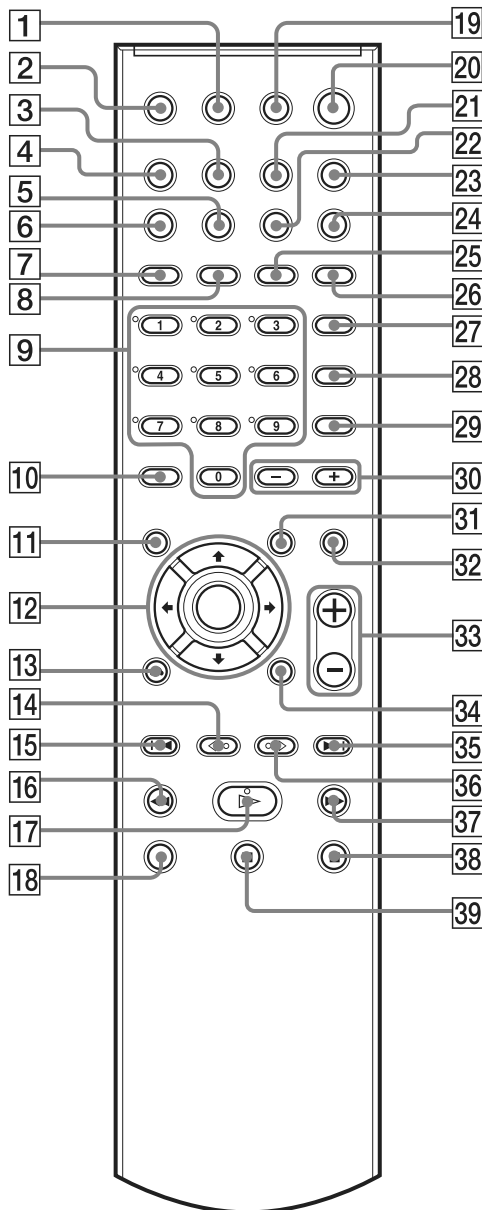
- | | |
|---------------------------------|-----------------------------|
| 1 I/⏻ (on/standby) (30, 34, 75) | 8 FUNCTION (34) |
| 2 Disc tray (34) | 9 PHONES jack (34) |
| 3 ≡ (open/close) (34, 75) | 10 VOLUME (34) |
| 4 ▷ (play) (34) | 11 □ (remote sensor) (13) |
| 5 (pause) (34) | 12 Front panel display (94) |
| 6 ■ (stop) (34, 75) | 13 AUDIO IN jack |
| 7 ◀◀/▶▶ (34) | |

Rear panel



- | | |
|---------------------------------------|-------------------------------------|
| 1 SPEAKER jacks (15) | 4 AM terminal (23) |
| 2 COMPONENT VIDEO OUT jacks (24) | 5 FM 75Ω COAXIAL jack (23) |
| 3 EURO AV ⇄ OUTPUT (TO TV) jacks (24) | 6 SAT VIDEO/AUDIO IN jacks (26, 28) |

Remote



- 1 TV I/⏻ (on/standby) (69)
- 2 TV/VIDEO (69)
- 3 TUNER MENU (72)
- 4 SLEEP (74)
- 5 SA-CD/CD (39)
- 6 PROGRESSIVE (25)
- 7 REPEAT/FM MODE (37, 73)
- 8 MULTI/2CH (39)
- 9 Number buttons (38, 65, 69)
The number 5 button has a tactile dot.*

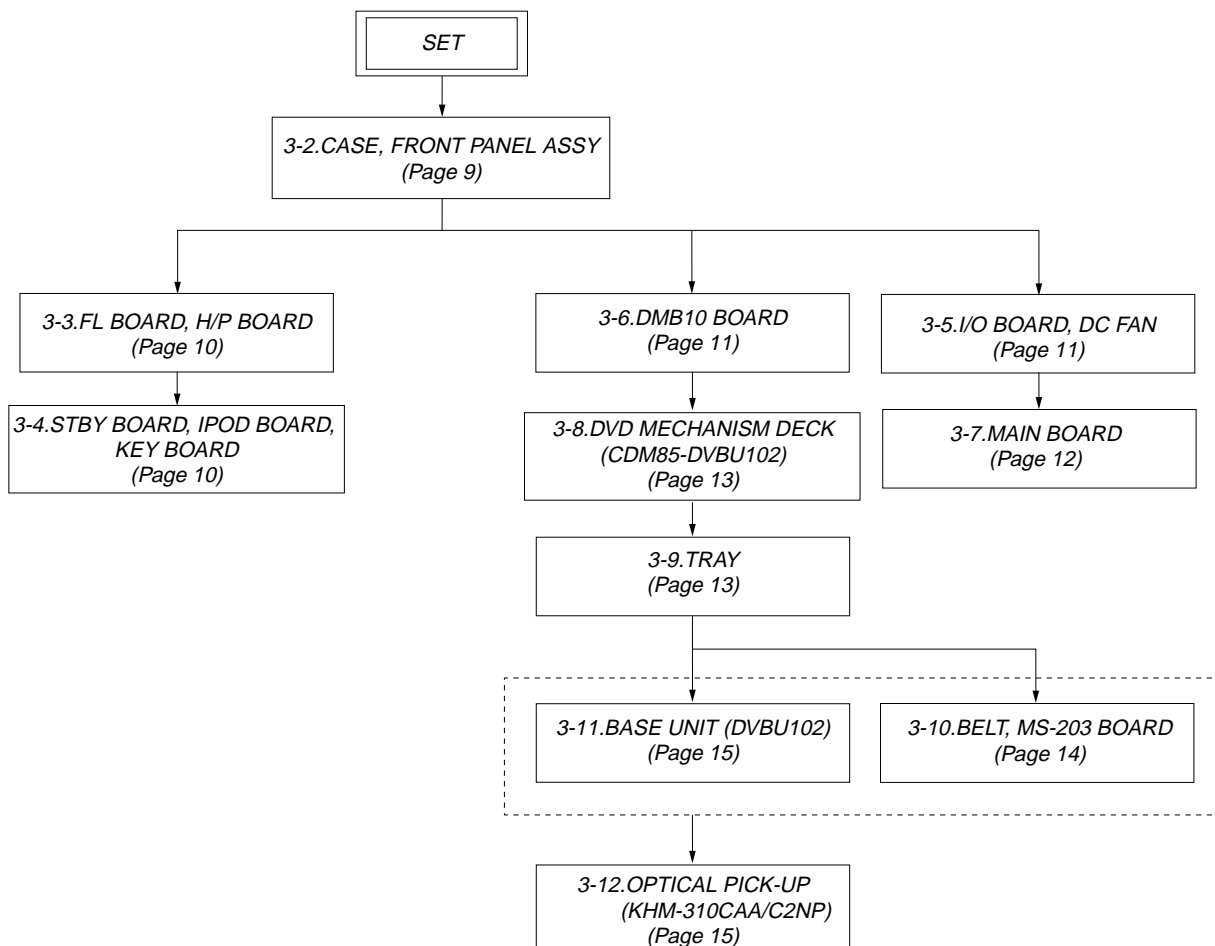
- 10 CLEAR, -/-- (31, 36, 69, 70)
- 11 TOP MENU (38)
- 12 ←/↑/↓/→/ENTER (30, 36, 60, 65, 71, 75, 76)
- 13 ↶ ↷ RETURN (40)
- 14 ◀•/◀|| REPLAY, STEP (34)
- 15 I◀◀ PRESET -, TV CH - (31, 34, 69, 73)
- 16 ◀◀/◀| SLOW, TUNING - (50, 72)
- 17 ▷ (play) (34)
The ▷ button has a tactile dot.*
- 18 TV (69)
- 19 THEATRE SYNC (70)
- 20 I/⏻ (on/standby) (30, 34, 73)
- 21 AMP MENU (30, 71, 75)
- 22 DSGX (63)
- 23 FUNCTION (25, 34, 62, 71)
- 24 SOUND FIELD (60)
- 25 DISPLAY (73)
- 26 PICTURE NAVI (44)
- 27 AUDIO (58)
- 28 SUBTITLE (64)
- 29 ANGLE (64)
- 30 ALBUM -/+ (34, 70)
- 31 MENU (38)
- 32 MUTING (34)
- 33 VOLUME, TV VOL +/- (34, 69, 73)
The VOLUME, TV VOL + button has a tactile dot.*
- 34 ☰ DISPLAY (10, 31, 36, 65, 76)
- 35 ▶▶ PRESET +, TV CH + (31, 34, 69, 73)
- 36 •→/||▶ ADVANCE, STEP (34)
- 37 ▶▶/▶| SLOW, TUNING + (50, 72)
- 38 ■ (stop) (34, 65, 73)
- 39 || (pause) (34)

* Use the tactile dot as a reference when operating the system.

SECTION 3 DISASSEMBLY

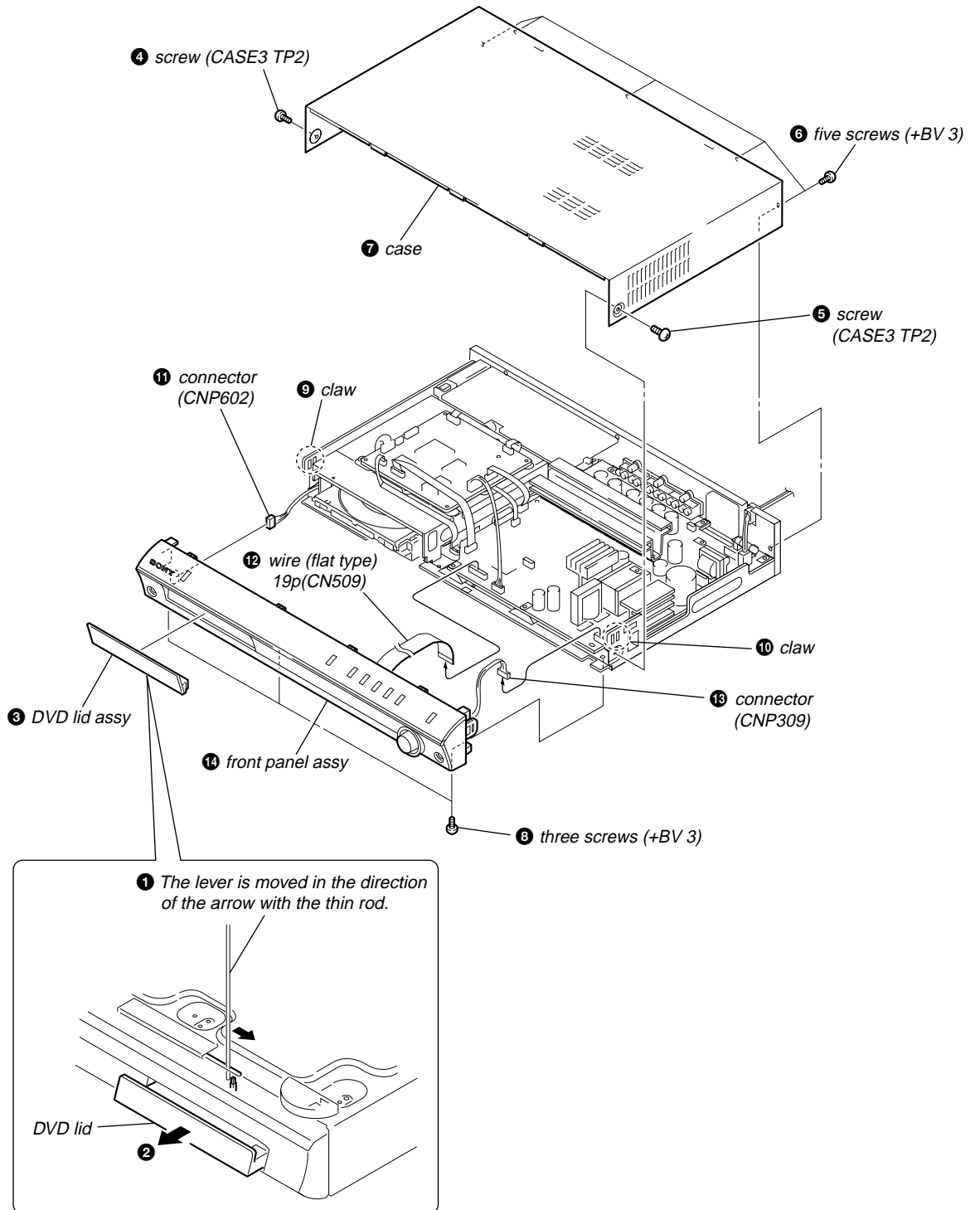
3-1. DISASSEMBLY FLOW

- This set can be disassembled in the order shown below.
- The dotted square with arrow (---) prompts you to move to the next job when all of the works within the dotted square (---) are completed.

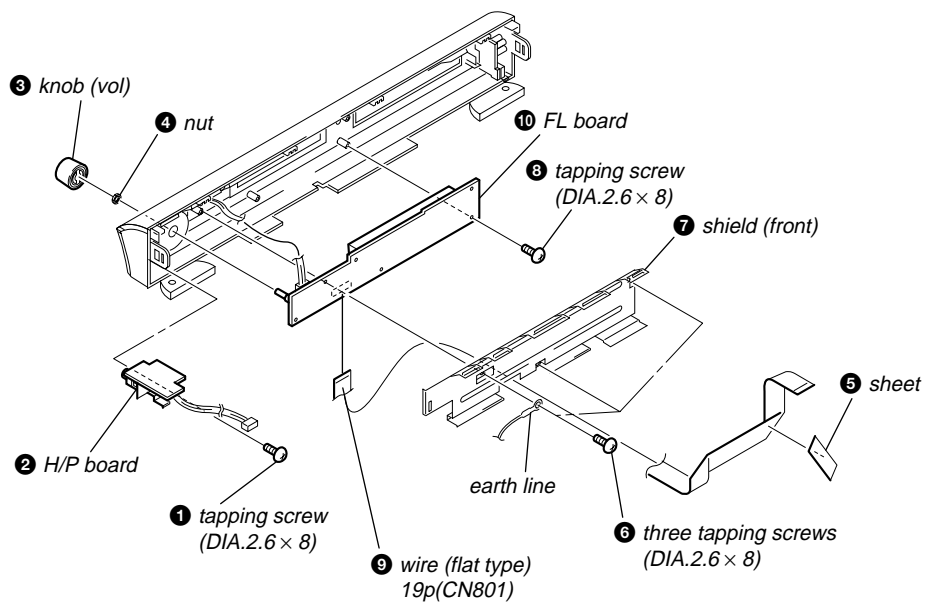


Note: Follow the disassembly procedure in the numerical order given.

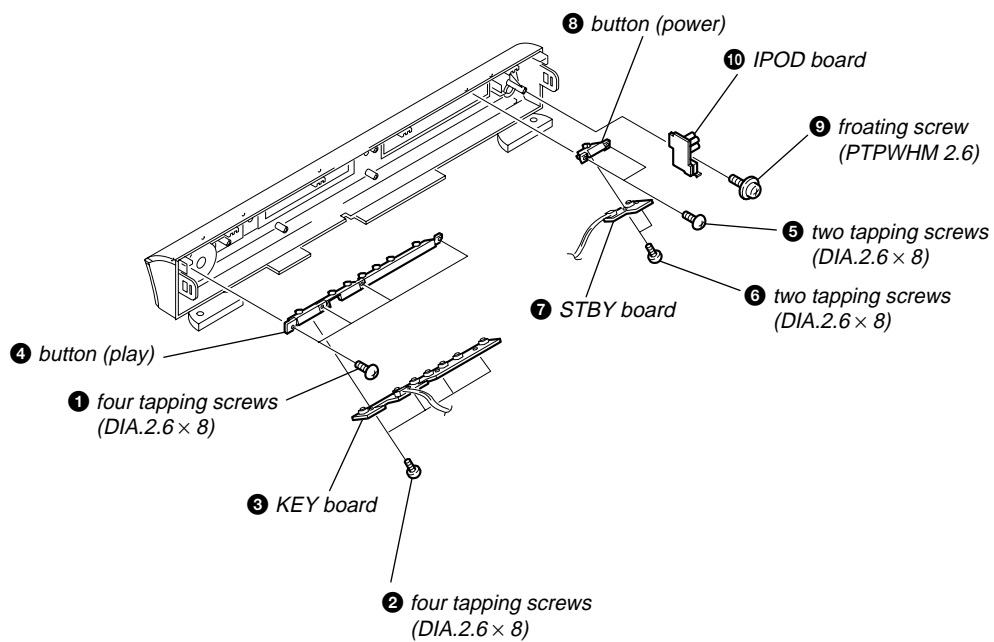
3-2. CASE, FRONT PANEL ASSY



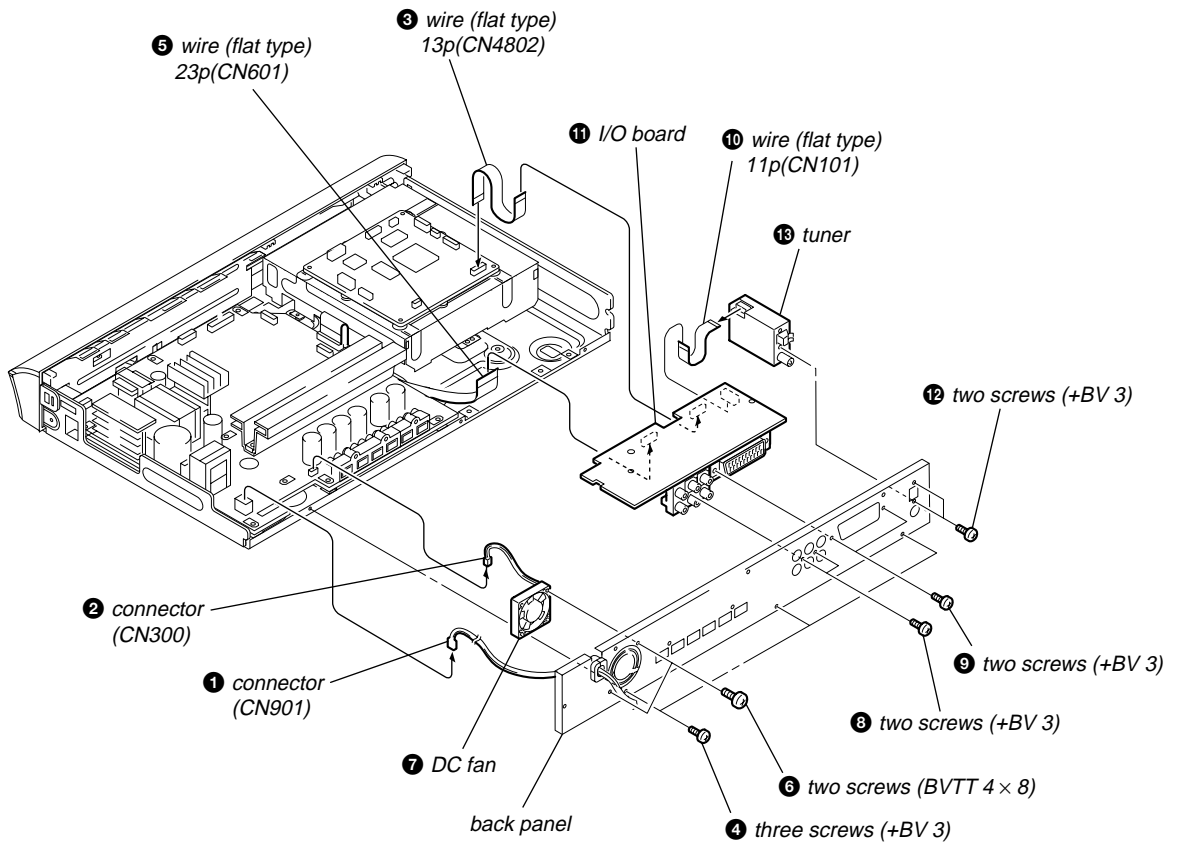
3-3. FL BOARD, H/P BOARD



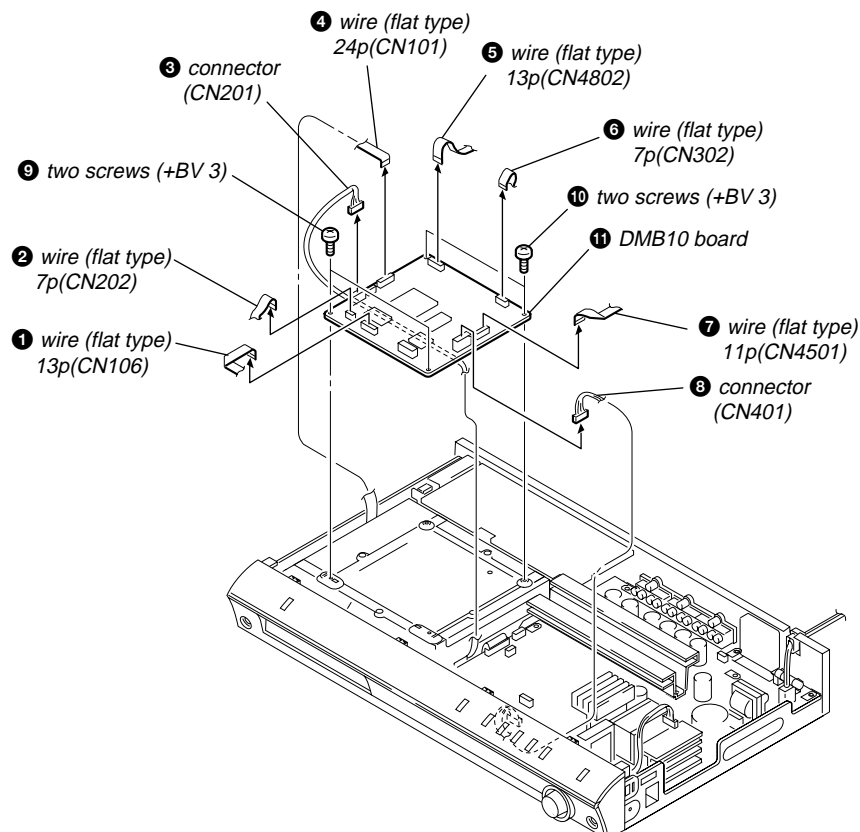
3-4. STBY BOARD, IPOD BOARD, KEY BOARD



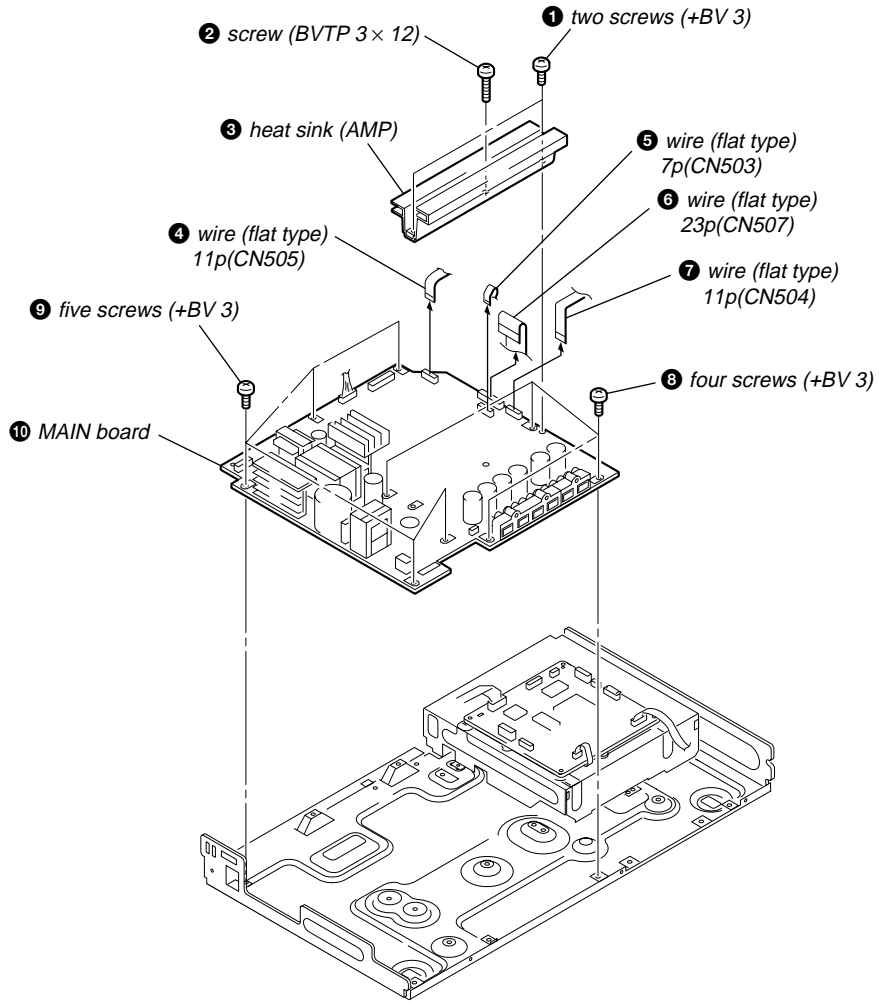
3-5. I/O BOARD, DC FAN



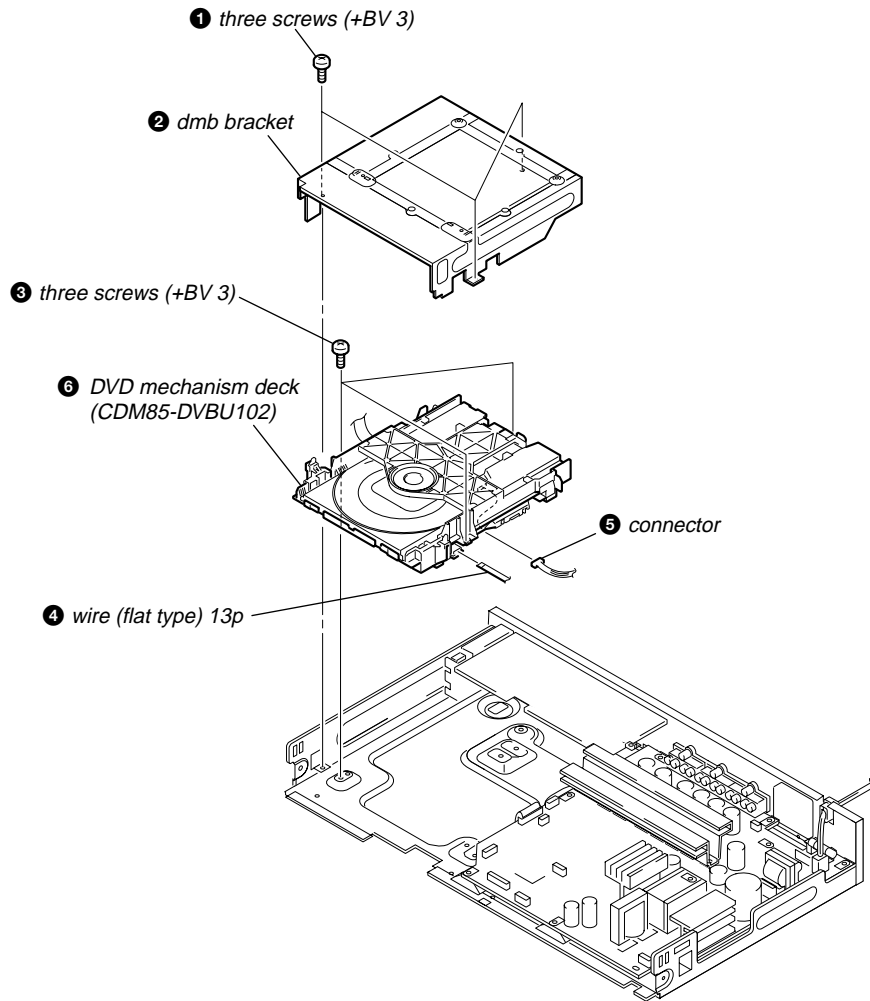
3-6. DMB10 BOARD



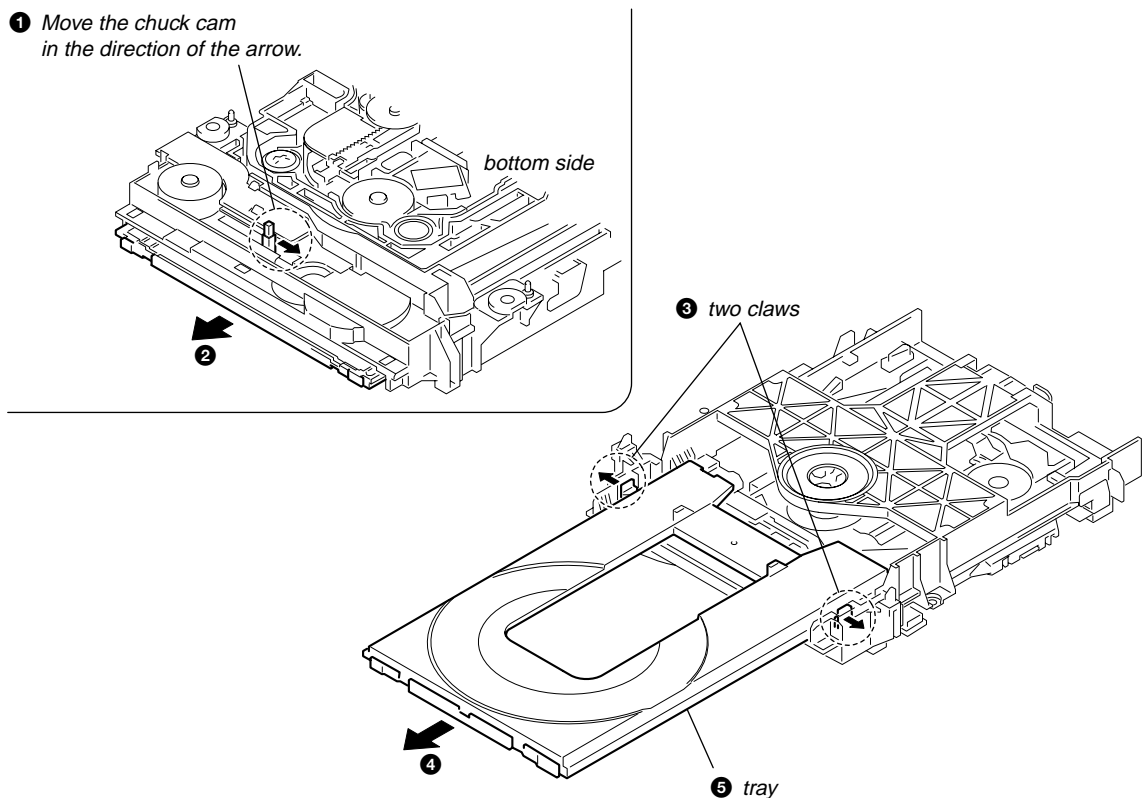
3-7. MAIN BOARD



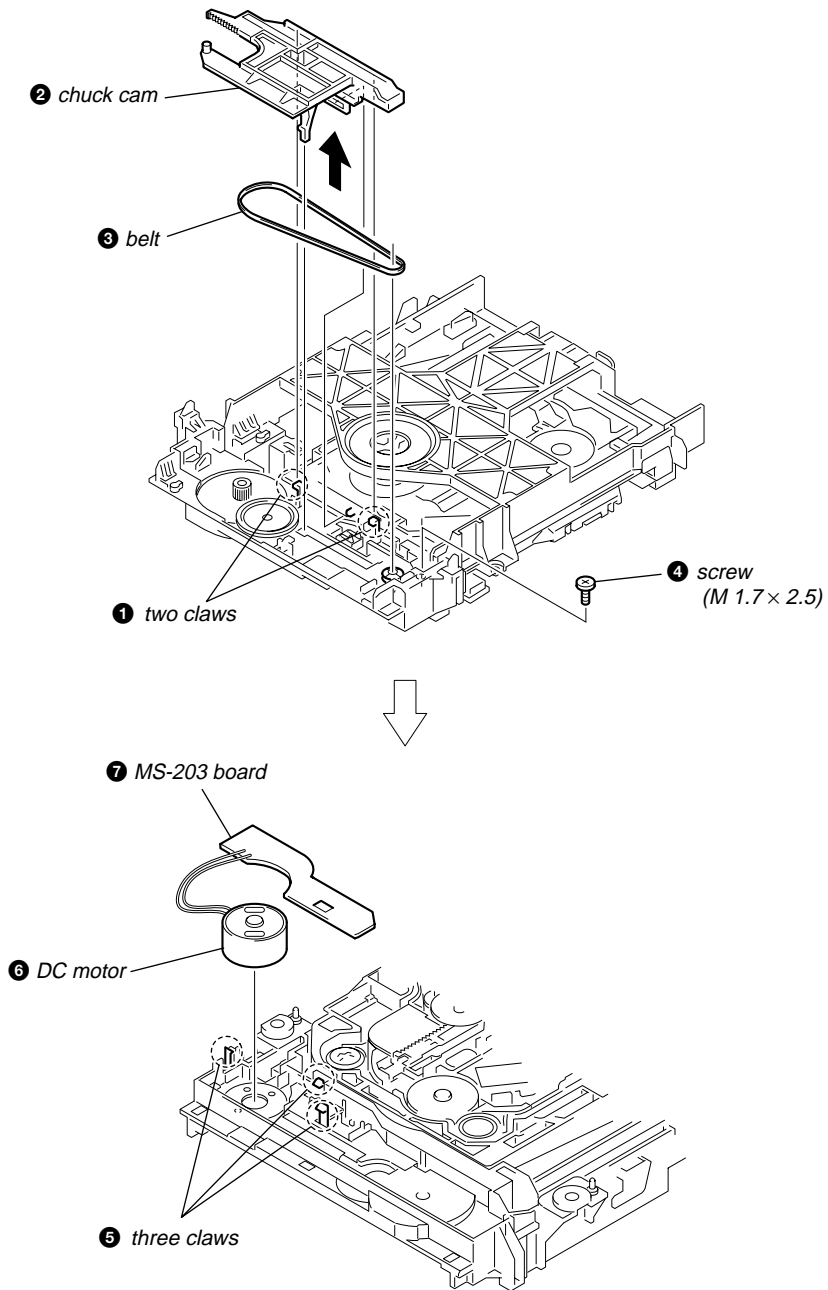
3-8. DVD MECHANISM DECK (CDM85-DVBU102)



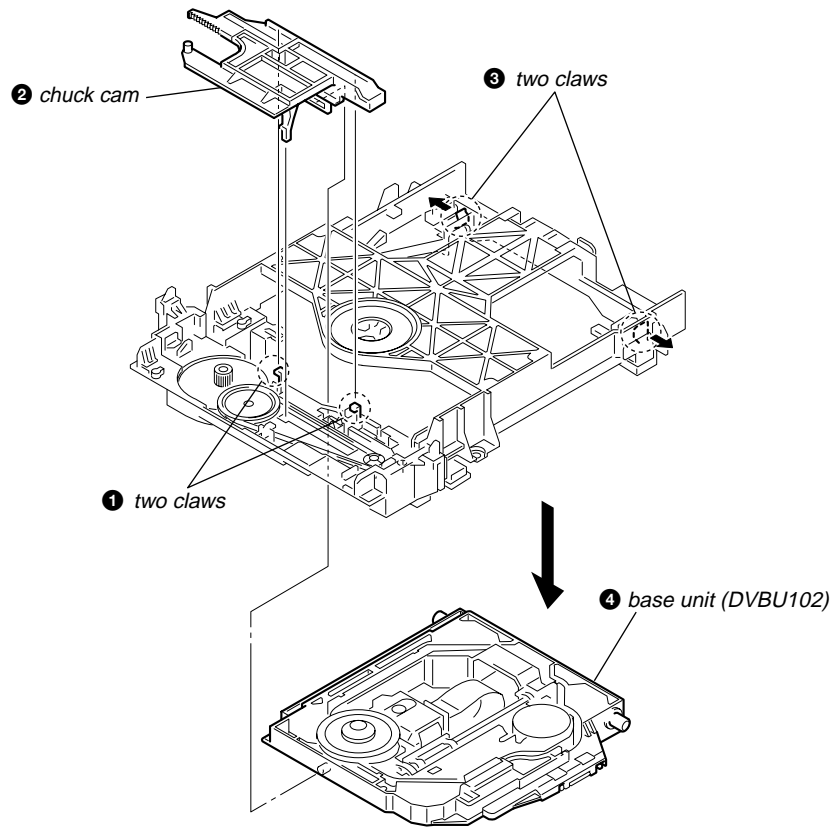
3-9. TRAY



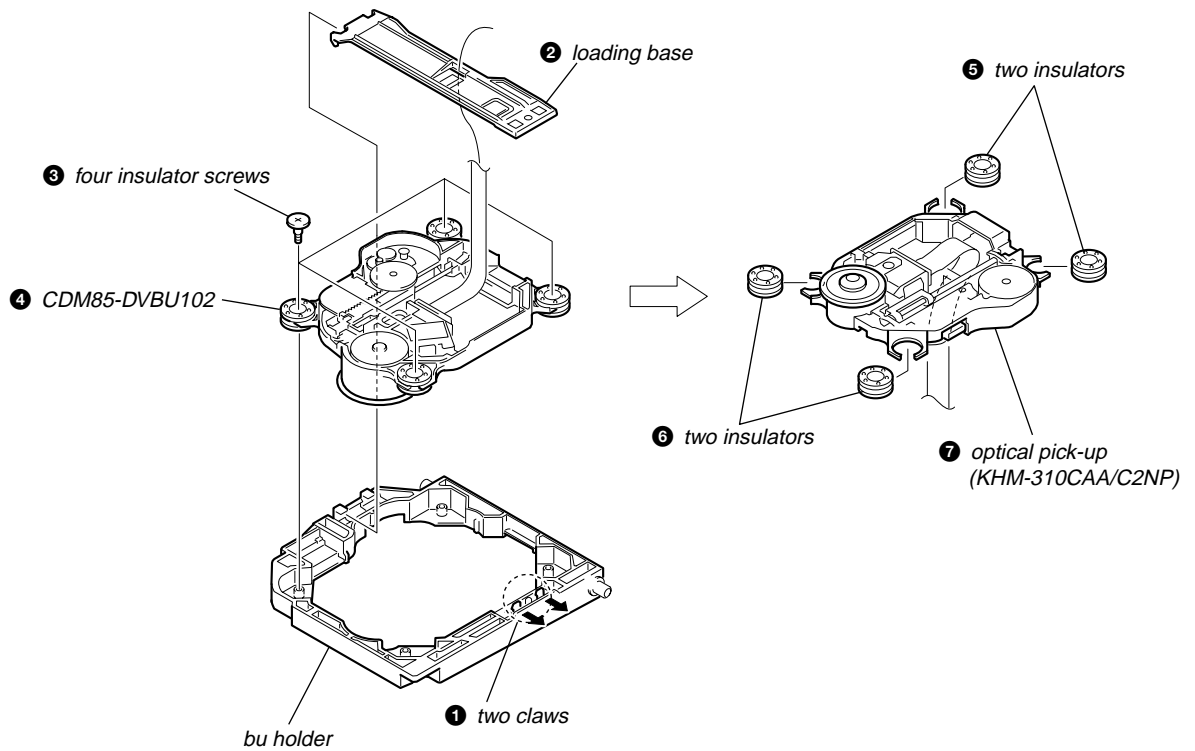
3-10. BELT, MS-203 BOARD



3-11. BASE UNIT



3-12. OPTICAL PICK-UP (KHM-310CAA/C2NP)



SECTION 4 TEST MODE

Note 1: Regarding the notification symbol “R”
Because the number of the operating buttons of this product are limited, some operations require use of the operating buttons of the remote commander. When a specific operation requires use of the operating buttons of the remote commander, “R” is added to the specific operating procedure in this manual. Example The button of remote commander.

Note 2: Incorrect operations may be performed if the test mode is not entered properly.
In this case, press the button to turn the power off, and retry to enter the test mode.

1. Cold Reset

- The cold reset clears all data including preset data stored in the RAM to initial conditions. Execute this mode when returning the set to the customers.

Procedure:

- Press the button to turn the power on.
- Press three buttons , and simultaneously.
- When this button is operated, display as “COLD RESET” for a while and all of the settings are reset.

2. Panel Test Mode

- This mode is used to check the software version, LCD, LED and keyboard.

2-1. DVD LED Test Mode

Procedure:

- Press the button to turn on the power.
- Press three buttons , and simultaneously.
- When the display LED test mode is activated, all segments are turned on.
- To exit from this mode, pull out the AC plug.

2-2. Version Test Mode

Procedure:

- When the panel test mode is activated, press the button and the message “DS3***” is displayed, the version test mode is activated.
- Whenever press the button, the version is displayed in order of CC2, MC, SYS, UI, DVD, TA, TM and DS3.
- Press the button and the date of the software production is displayed.
- Press the button again and the version is displayed.
- To exit from this mode, pull out the AC plug.

2-3. Key Test Mode

Procedure:

- When the panel test mode is activated, press the button, to select the key test mode.
- To enter the KEY test mode, the fluorescent indicator displays “K0 VO”. Each time a button is pressed, “KEY” value increases. However, once a button is pressed, it is no longer taken into account. When all keys are pressed correctly, “K8 VO” is displayed.
- To exit from this mode, pull out the AC plug.

3. Disc Tray Lock

The disc tray lock function for the antitheft of an demonstration disc in the store is equipped.

Setting Procedure :

- Press the button to turn the set on.
- Press the **FUNCTION** button to set DVD function.
- Insert a disc.
- Press the button and the button simultaneously for five seconds.
- The message “LOCKED” is displayed and the tray is locked.

Releasing Procedure :

- Press the button and the button simultaneously for five seconds. again.
- The message “UNLOCKED” is displayed and the tray is unlocked.

Note: When “LOCKED” is displayed, the slot lock is not released by turning power on/off with the button.

4. DVD Ship Mode

- Use this mode when returning the set to the customer after repair.

Procedure:

- Press the button to turn the set on.
- Press the **FUNCTION** button to set the function “DVD”.
- Press three buttons , and simultaneously.
- After a message “MECHA LOCK” is displayed on the fluorescent indicator tube, pull out the AC plug.
- To exit from this mode, press the button to turn the set on.

5. DVD Debug In Mode

Procedure:

- Press the button to turn the set on.
- Press the **FUNCTION** button to set the function “DVD”.
- Press the three buttons , and simultaneously.
- To exit from this mode, press the button to turn the set on.

6. AM Step Change

- A step of AM channels can be changed over between 9 kHz and 10 kHz.

Procedure:

- Press button to turn the set ON.
- Select the function “TUNER”, and press **FUNCTION** button to select the BAND “AM”.
- Press button to turn the set OFF.
- Press and buttons simultaneously, and the display of fluorescent indicator tube changes to “AM 9 k STEP” or “AM 10 k STEP”, and thus the channel step is changed over.

DVD SECTION

[TEST DISC LIST]

Be sure to use the DVD disc that matches the signal standards of your region.



- CD
 - YEDS-18 (Part No.: 3-702-101-01)
 - PATD-012 (Part No.: 4-225-203-01)
- DVD SL (Single Layer)
 - NTSC : HLX-503 (Part No.: J-6090-069-A)
 - HLX-504 (Part No.: J-6090-088-A)
 - PAL : HLX-506 (Part No.: J-6090-077-A)
- DVD DL (Dual Layer)
 - NTSC : HLX-501 (Part No.: J-6090-071-A)
 - HLX-505 (Part No.: J-6090-089-A)
 - PAL : HLX-507 (Part No.: J-6090-078-A)

4-1. GENERAL DESCRIPTION

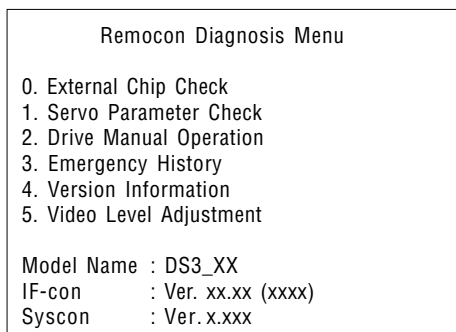
The Mirror Time and IOP measurement allows you to make diagnosis and adjustment simply by using the remote commander and monitor TV. The instructions, diagnosis results, etc. are given on the on screen display (OSD).

The Mirror Time and IOP measurement is required in such events where servicing a DVD-Player includes changing the Base Unit (BU). For each new BU to be used with a certain MV-044 board, Mirror Time and IOP measurement need to be carried out.

4-2. STARTING TEST MODE

Press three buttons ,  and **VOLUME** + simultaneously with the DVD player in standby mode.

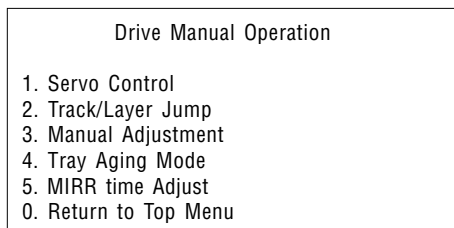
The Test Mode starts, then the menu shown below will be displayed on the TV screen.



The menu above is the Remocon Diagnosis Menu screen which consists of six main function. At the bottom of the menu screen, the model name and IF-con version. To enter Mirror Time Adjustment menu, press button **[2 "R"]** on the remote commander to enter Drive Manual Operation menu. To exit from the Test Mode, press the power button on the remote commander.

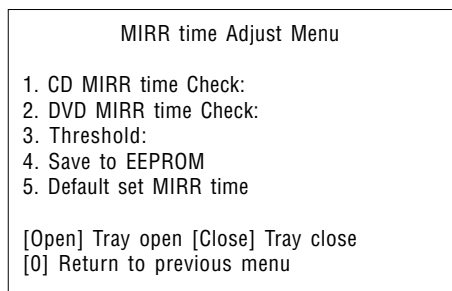
4-3. DRIVE MANUAL OPERATION

The Drive Manual Operation menu consists of five main function. By pressing **[2 "R"]** button on the remote commander in the Remocon Diagnosis Menu, the screen will appear as below.



4-4. MIRROR TIME ADJUSTMENT

To enter Mirror Time Adjustment, press **[5 "R"]** button on the remote commander. The screen will appear as below.



There are five main commands in the MIRR time Adjust menu as shown in the figure above. The functions of each command are described in the following page.

1. CD MIRR time Check

This command checks the Mirror time value for CD disc.

2. DVD MIRR time Check

This command checks the Mirror time value for DVD disc.

3. Threshold

This command displays the threshold value between CD and DVD mirror time.


4. Save to EEPROM

This command saves an adjusted mirror time value to the EEPROM.

5. Default set MIRR time

This command will set CD and DVD mirror time to firmware default value.

[Open] / [Close]



Pressing the  button controls the tray for disc change during mirror time adjustment.

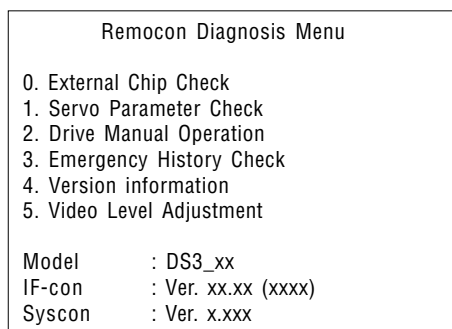
[0] Return to previous menu

Press **[0 "R"]** button to return to previous menu.

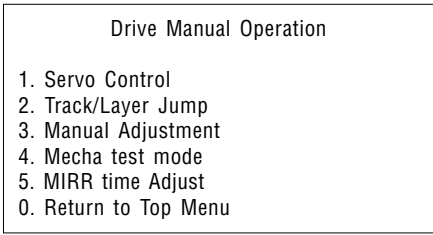
4-4-1. EXECUTING MIRROR TIME ADJUSTMENT

In order to execute mirror time adjustment, the following standard procedures must be followed.

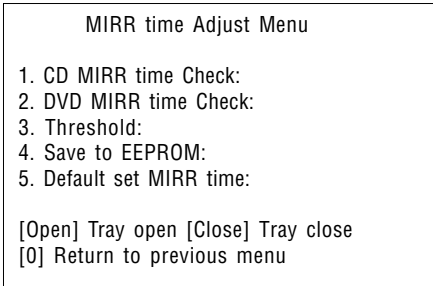
- (1) In standby mode, press three buttons ,  and **VOLUME** + simultaneously.
- (2) Select "2. Drive Manual Operation".



(3) Select "5. MIRR time Adjust".

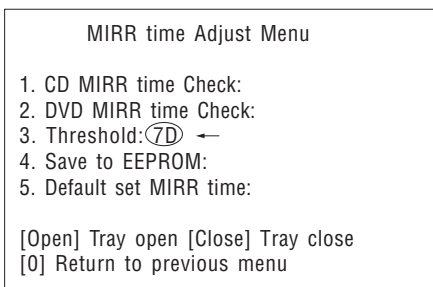


(4) Select "5. Default set MIRR time".



(5) Select "3. Threshold".

(6) Confirm the number. If it is 7D, go to next step. If it is any other value, return to step 4.



(7) Push button to eject tray.

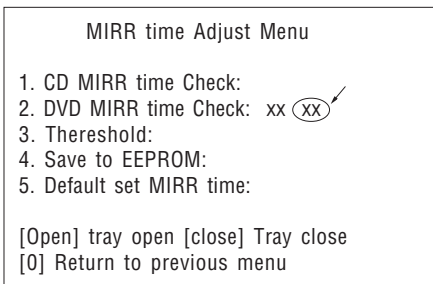
(8) Insert Test Disc HLX-504 into tray.

(9) Push button to close tray.

(10) Push "2. DVD MIRR time Check".

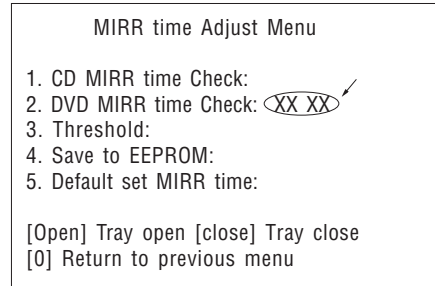
(11) Wait for HEX number to display.

(12) Confirm the number, if XX is 28 ~ 70, proceed with next step. If no, return to 8.



(13) Push "4. Save to EEPROM".

(14) Confirm the same values are displayed. If it is not same, return to step 7.



(15) Push button to eject tray.

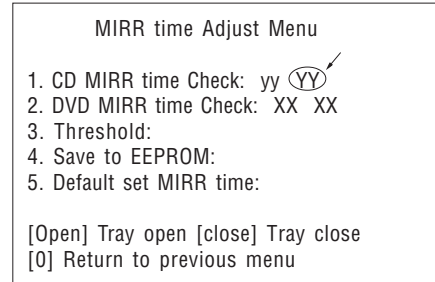
(16) Take out HLX-504 and insert Test Disc YEDS-18 into tray.

(17) Push button to close tray.

(18) Push "1. CD MIRR time check".

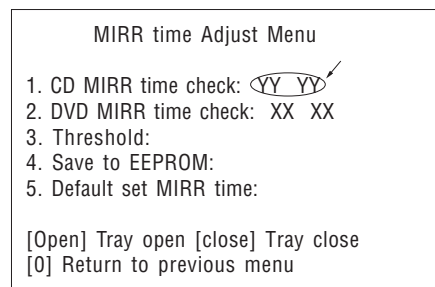
(19) Wait for HEX number to display.

(20) Confirm the number, if YY is 5A ~ E8, proceed with next step. If no, return to 15.



(21) Push "4. Save to EEPROM".

(22) Confirm the same values are displayed. If it is not the same, return to step 15.



(23) Push button to eject tray.

(24) Remove Test Disc YEDS-18 from tray.

(25) Push button to close tray.



(26) Press button to the Drive Manual Operation menu.

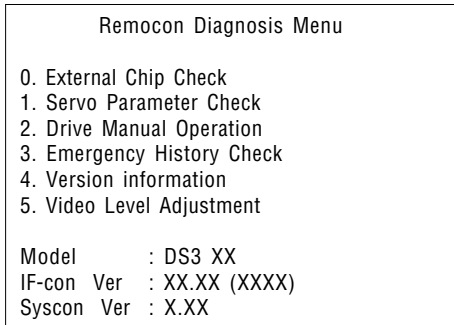
(27) Press button to return to the Remocon Diagnosis Menu.

(28) Press the button to switch OFF set.

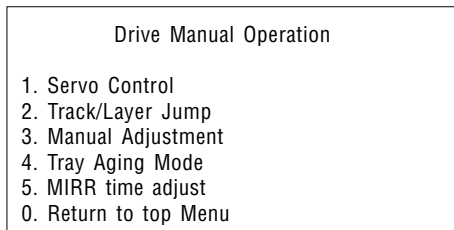
4-5. EXECUTING IOP MEASUREMENT

In order to execute mirror time adjustment, the following standard procedures must be followed.

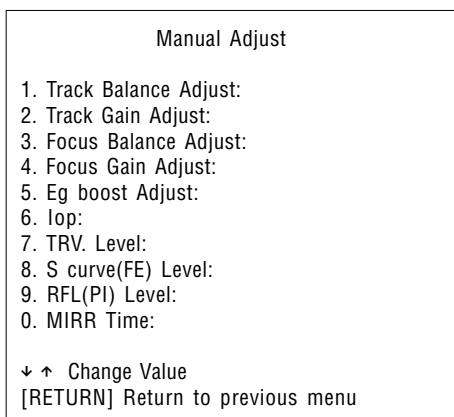
- (1) In standby mode, press three buttons ,  and **VOLUME** + simultaneously.



- (2) Select “2. Drive Manual Operation” by pressing the **2 “R”** button on the remote commander. The screen will appear as below.

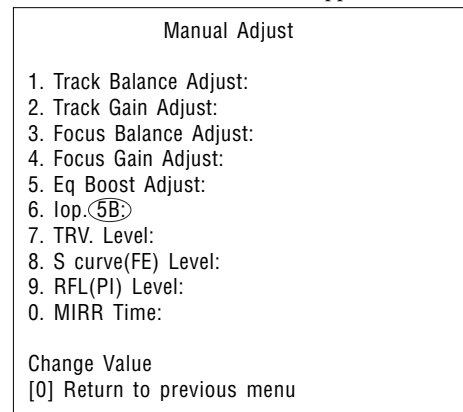


- (3) Select “3. Manual Adjustment” by pressing the **3 “R”** button on the remote commander. The screen will appear as below.



- (4) Select Iop by pressing **6 “R”** button on the remote commander.

- (5) Wait until a hexadecimal number appear.



- (6) Convert each data from hexadecimal to decimal using conversion table.

- (7) Subtract between these two values.

- (8) If the remainder is smaller than 93 (decimal), then it is OK. However if the value is higher than 93, then the BU is defective and need to be change.

- (9) Press **RETURN “R”** button to return back to previous menu.

- (10) Press **0 “R”** button to return to Top Menu and power OFF the DVD Player.

SECTION 5 DIAGRAMS

**THIS NOTE IS COMMON FOR PRINTED WIRING BOARDS AND SCHEMATIC DIAGRAMS.
(In addition to this, the necessary note is printed in each block.)**

For Schematic Diagrams.

Note:

- All capacitors are in μF unless otherwise noted. (p: pF) 50 WV or less are not indicated except for electrolytics and tantalums.
- All resistors are in Ω and $1/4\text{ W}$ or less unless otherwise specified.
- Δ : internal component.
- : panel designation.

Note: The components identified by mark Δ or dotted line with mark Δ are critical for safety. Replace only with part number specified.

☆ IC103 is a written in and settled EEPROM. Supply with a single article has not been carried out. In case you exchange by DMB10 board (A-1108-644-A), please put on IC103 currently used with the model again.

- — : B+ Line.
- - - - : B- Line.
- Voltages and waveforms are dc with respect to ground under no-signal (detuned) conditions.
- Voltages and waveforms are dc with respect to ground in service mode.
- Waveforms are taken with a oscilloscope. Voltage variations may be noted due to normal production tolerances.
- no mark : DVD STOP
- Voltages are taken with VOM (Input impedance 10 M Ω).
- Circled numbers refer to waveforms.
- Signal path.
 - : AUDIO
 - : CD PLAY
 - : DVD PLAY
 - : SACD PLAY
 - : TUNER
 - : VIDEO
 - : Y
 - : CHROMA
 - : COMPONENT VIDEO
 - : R, G, B
 - : AUDIO IN (SAT)
 - : AUDIO IN
- Abbreviation
 - RU : Russian model.

For Printed Wiring Boards.

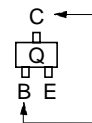
Note:

- : parts extracted from the component side.
- : Through hole.
- : Pattern from the side which enables seeing. (The other layers' patterns are not indicated.)

Caution:

Pattern face side: Parts on the pattern face side seen from (SIDE A) the pattern face are indicated.
Parts face side: Parts on the parts face side seen from (SIDE B) the parts face are indicated.

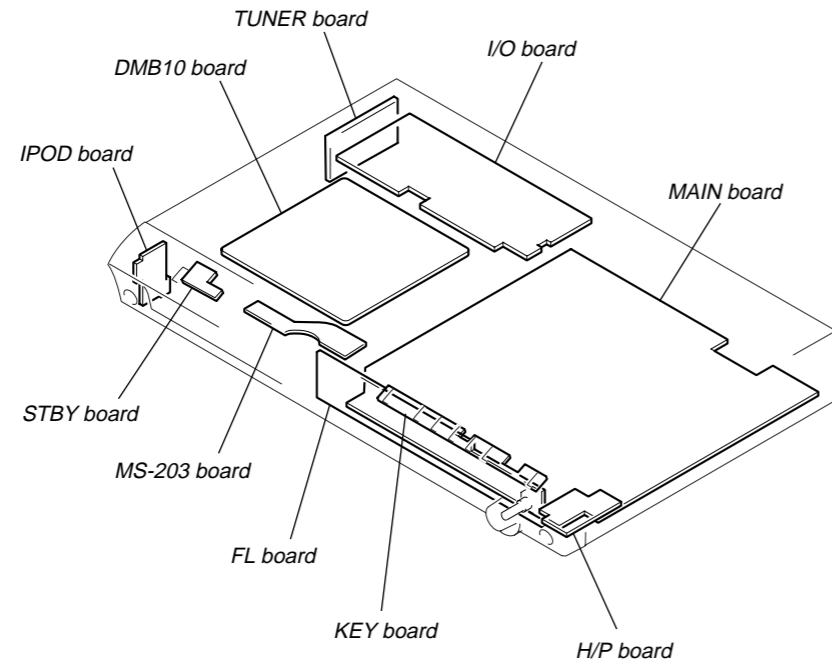
- Indication of transistor.



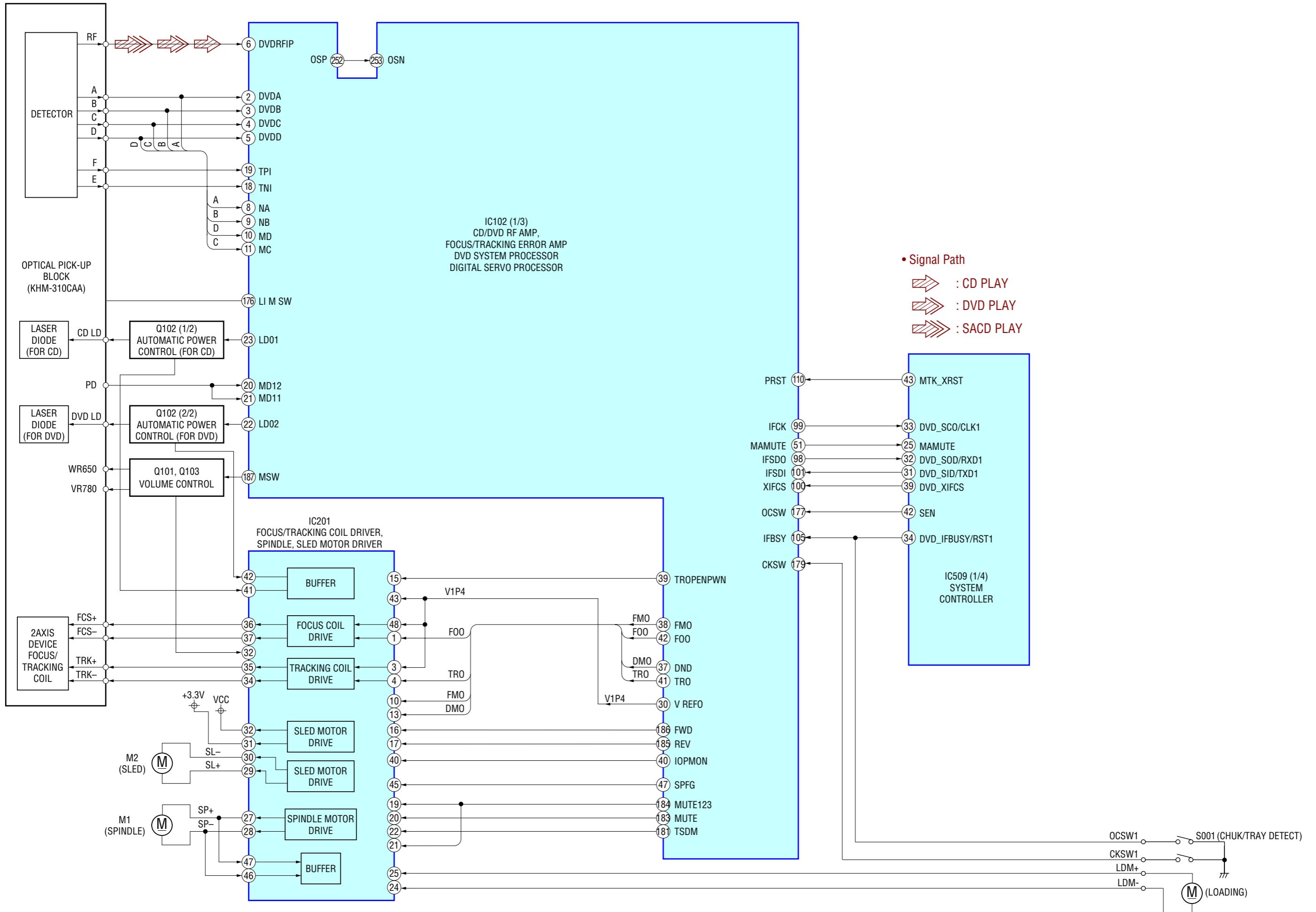
These are omitted.

MEMO

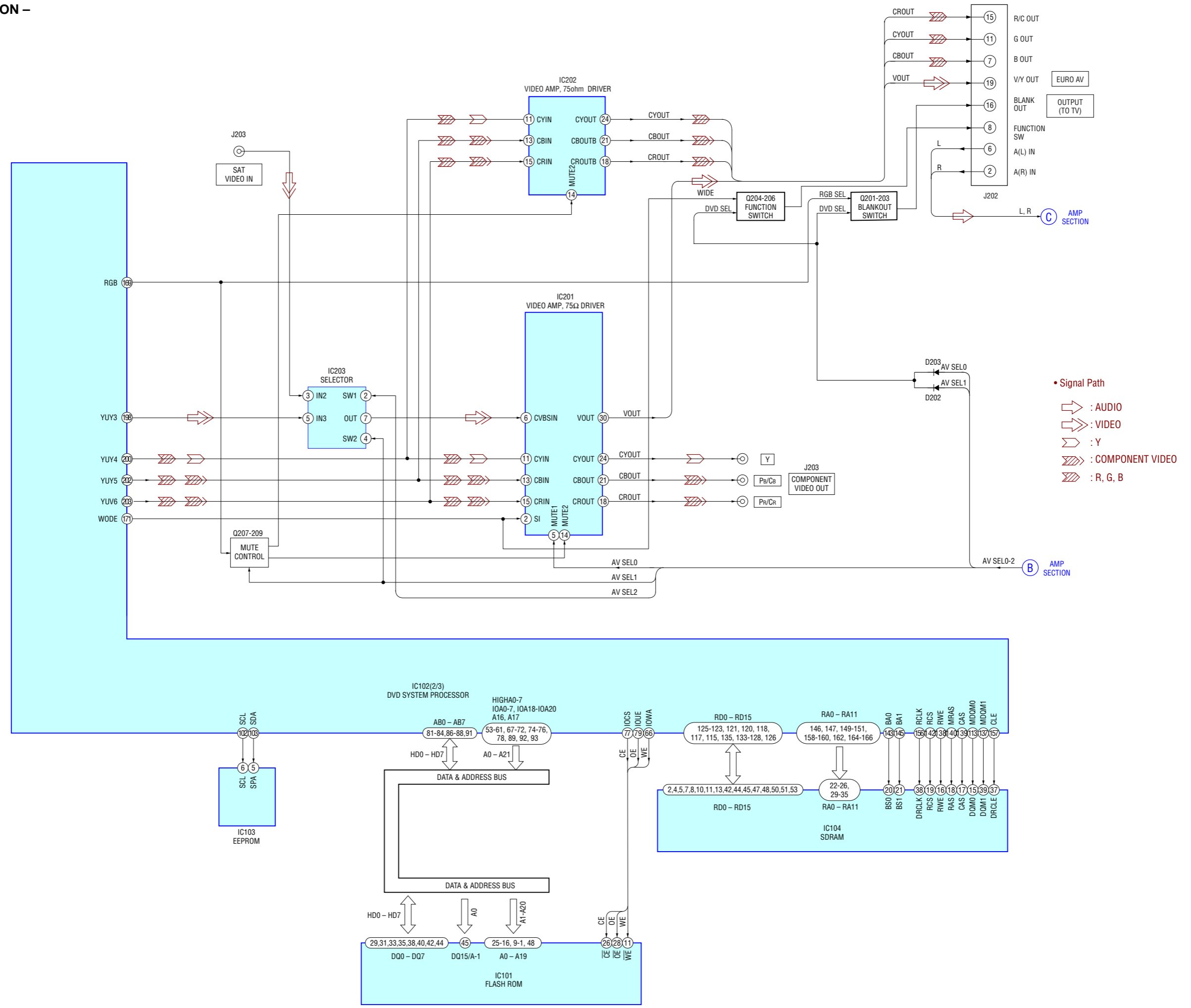
• Circuit Boards Location

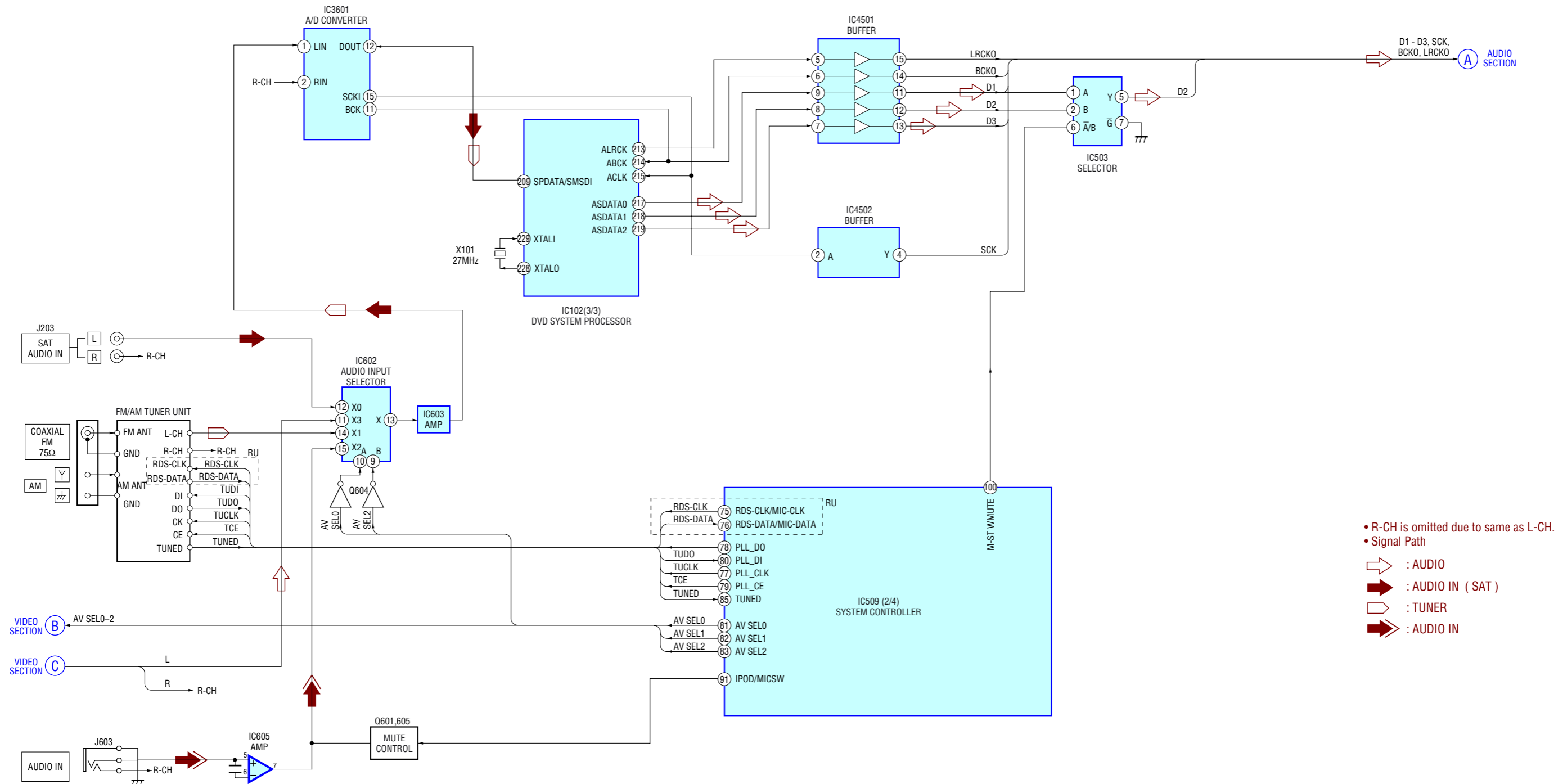


5-1. BLOCK DIAGRAM - RF/SERVO SECTION -



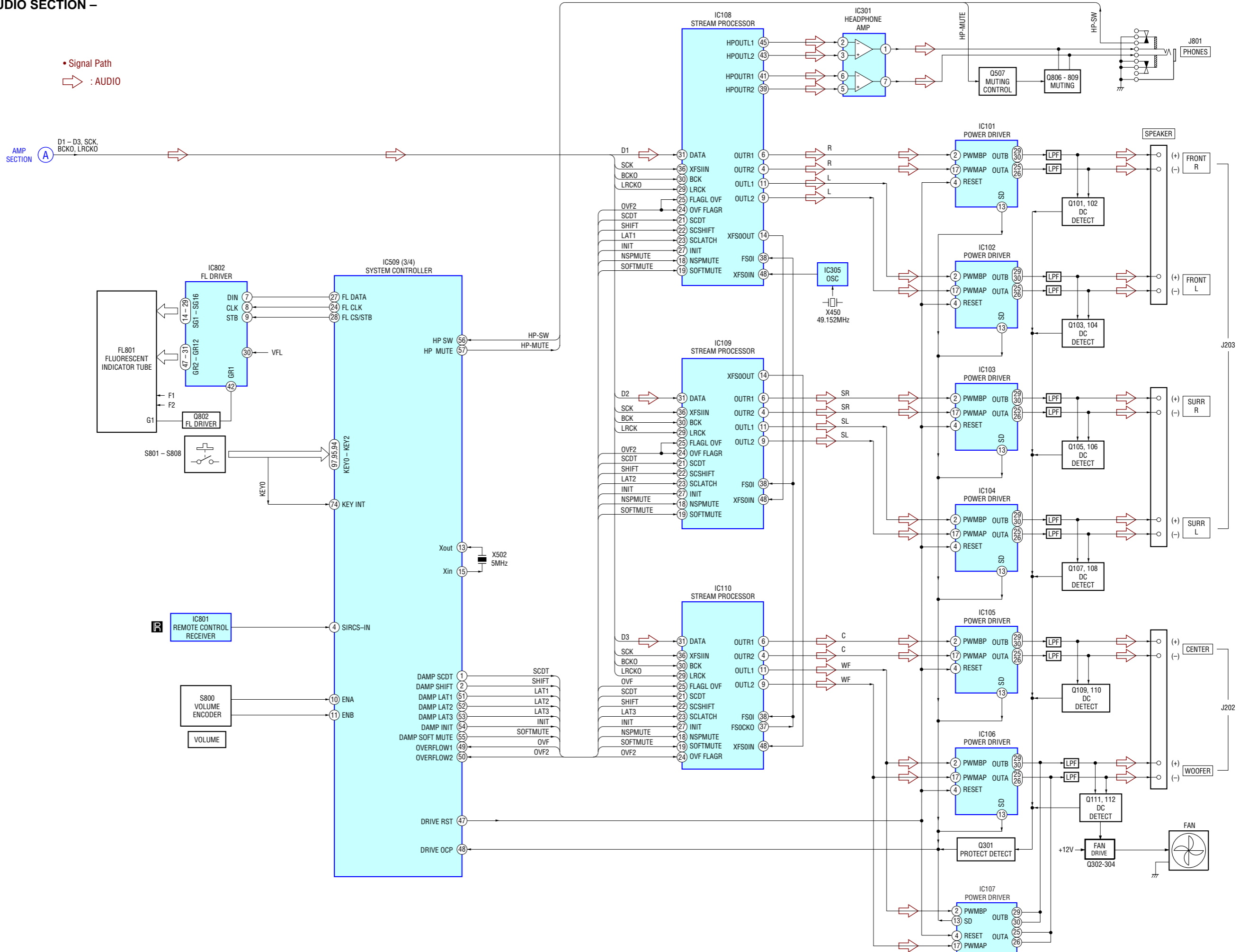
- VIDEO SECTION -





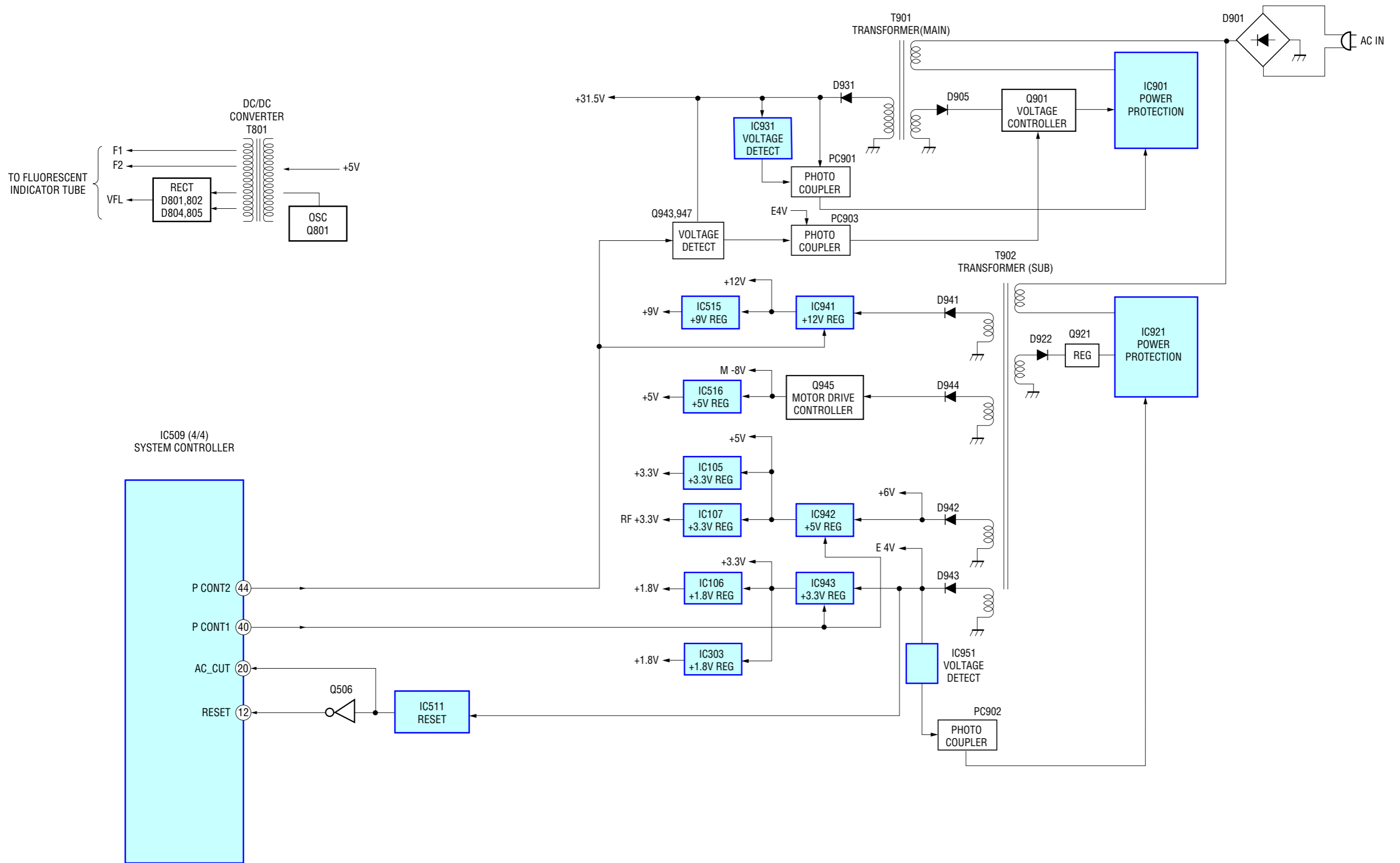
- R-CH is omitted due to same as L-CH.
- Signal Path
- ⇨ : AUDIO
- ➡ : AUDIO IN (SAT)
- ⇨ : TUNER
- ➡ : AUDIO IN


- AUDIO SECTION -

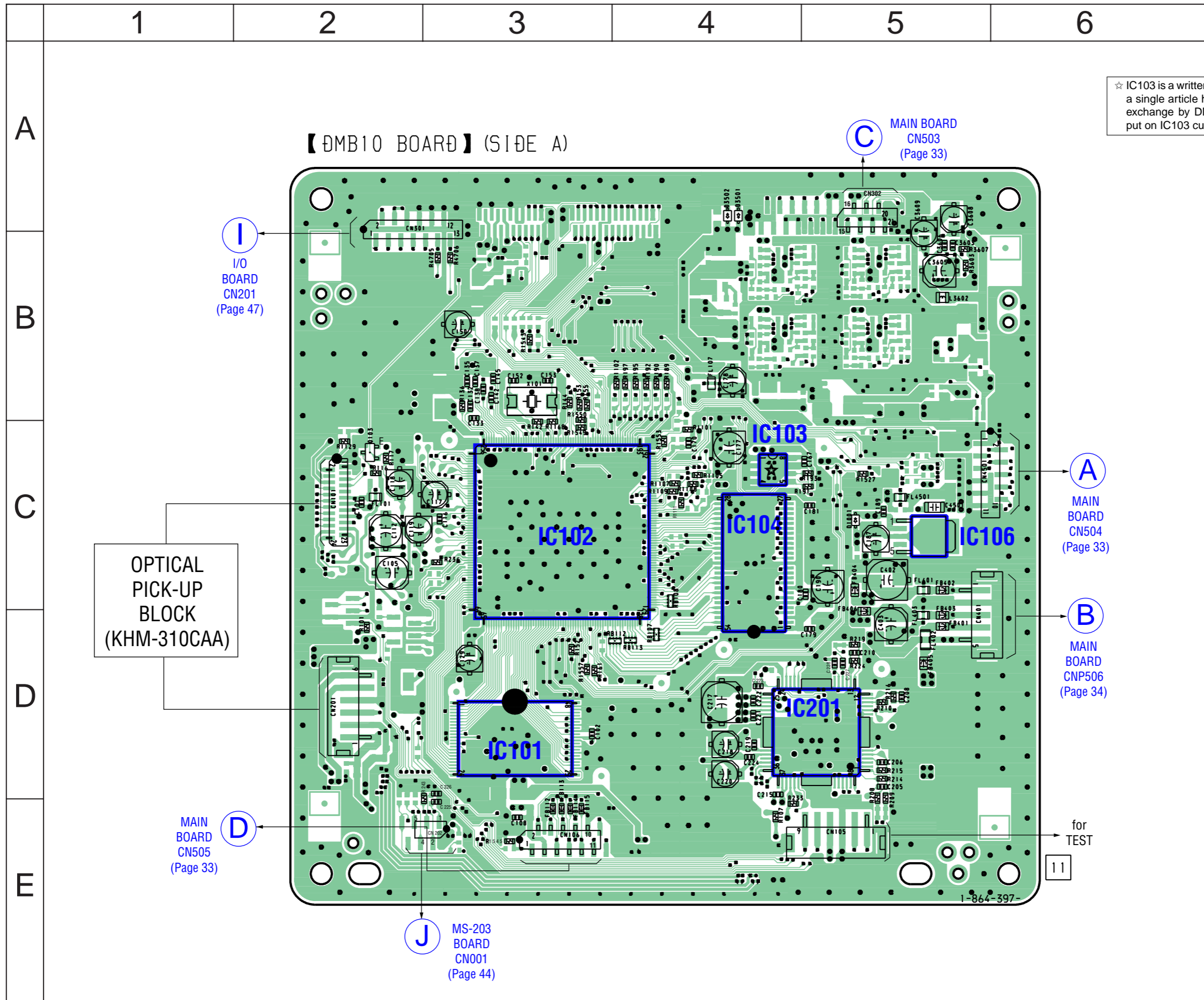


HCD-DZ500F

- POWER SECTION -



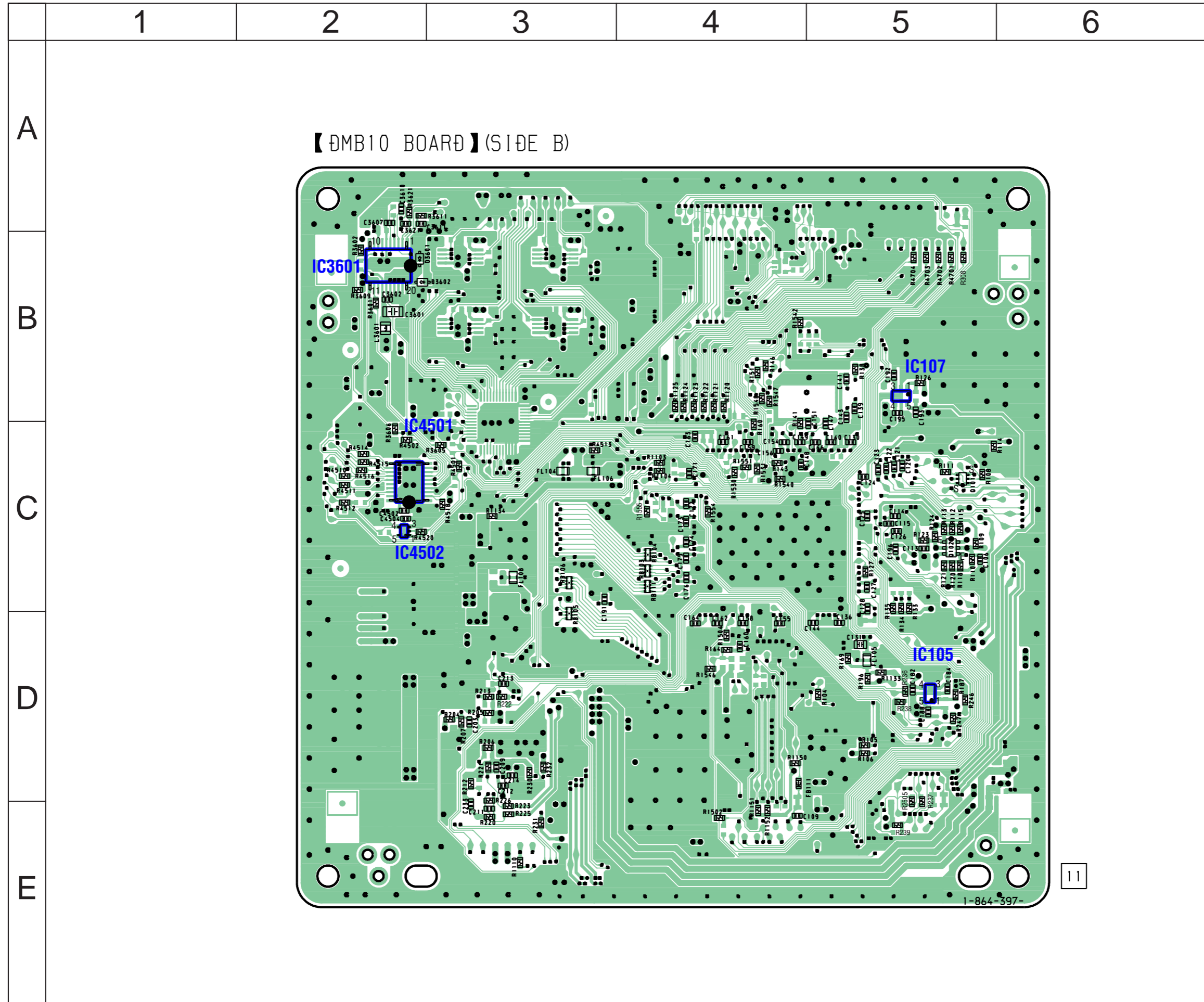
5-2. PRINTED WIRING BOARD – DMB10 SECTION (SIDE A) – • See page 21 for Circuit Boards Location.  :Uses unleaded solder.



☆ IC103 is a written in and settled EEPROM. Supply with a single article has not been carried out. In case you exchange by DMB10 board (A-1108-644-A), please put on IC103 currently used with the model again.

• Semiconductor Location

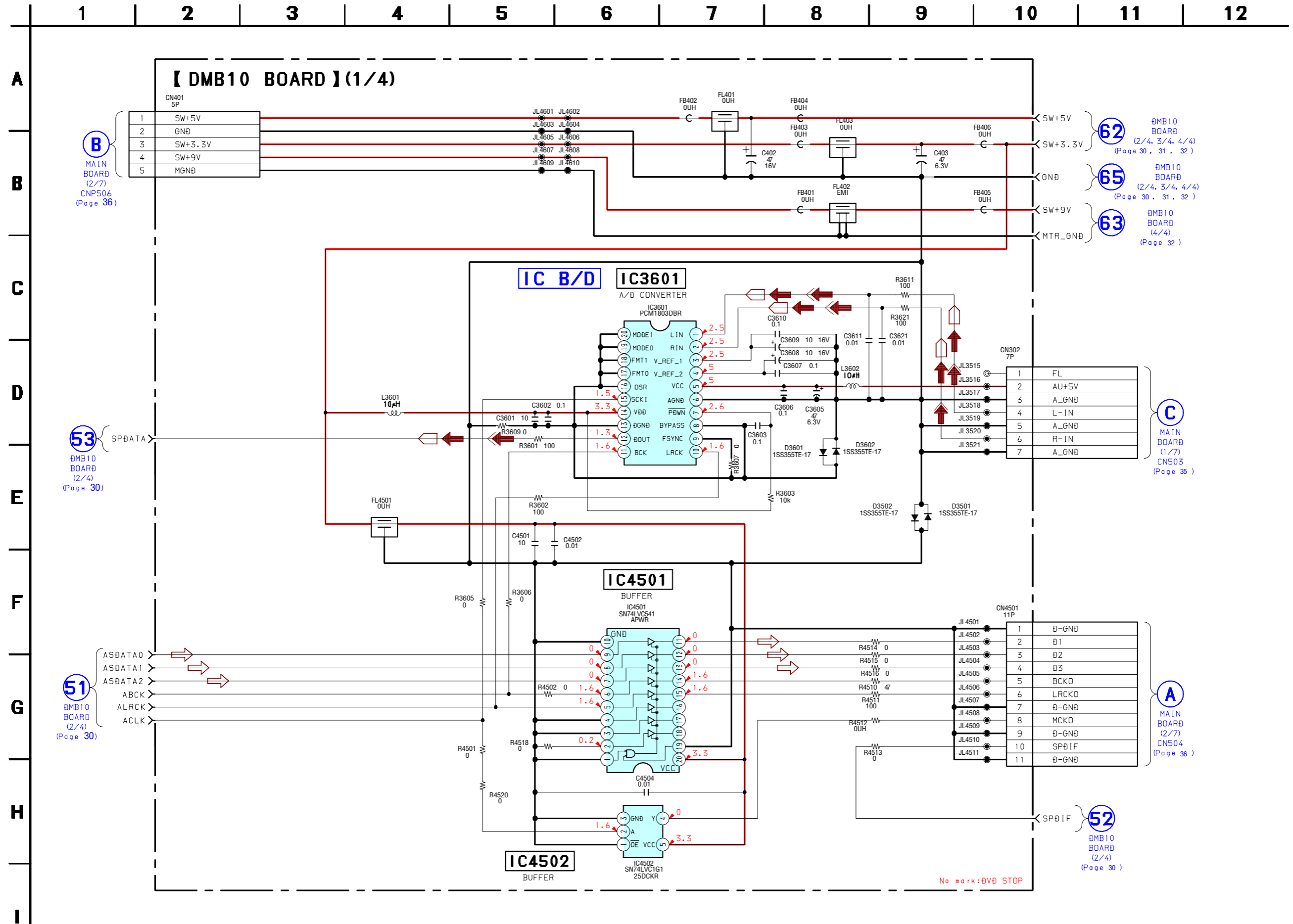
Ref. No.	Location
D1001	C-5
D3501	A-4
D3502	A-4
IC101	D-3
IC102	C-3
IC103	C-4
IC104	C-4
IC106	C-5
IC201	D-5
Q103	C-2



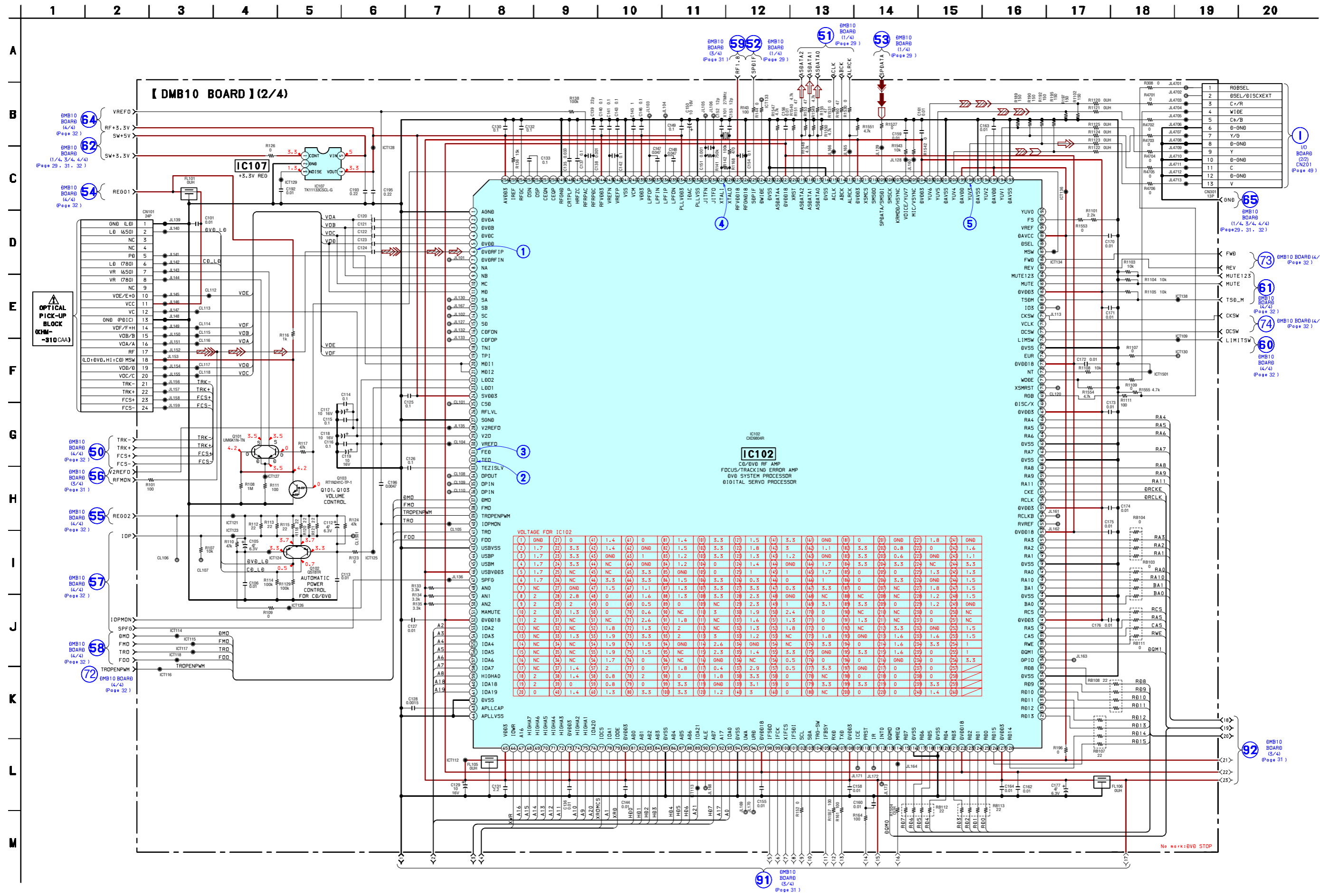
• Semiconductor Location

Ref. No.	Location
D3601	B-2
D3602	B-2
IC105	D-5
IC107	B-5
IC3601	B-2
IC4501	C-2
IC4502	C-2
Q101	C-5
Q102	C-5

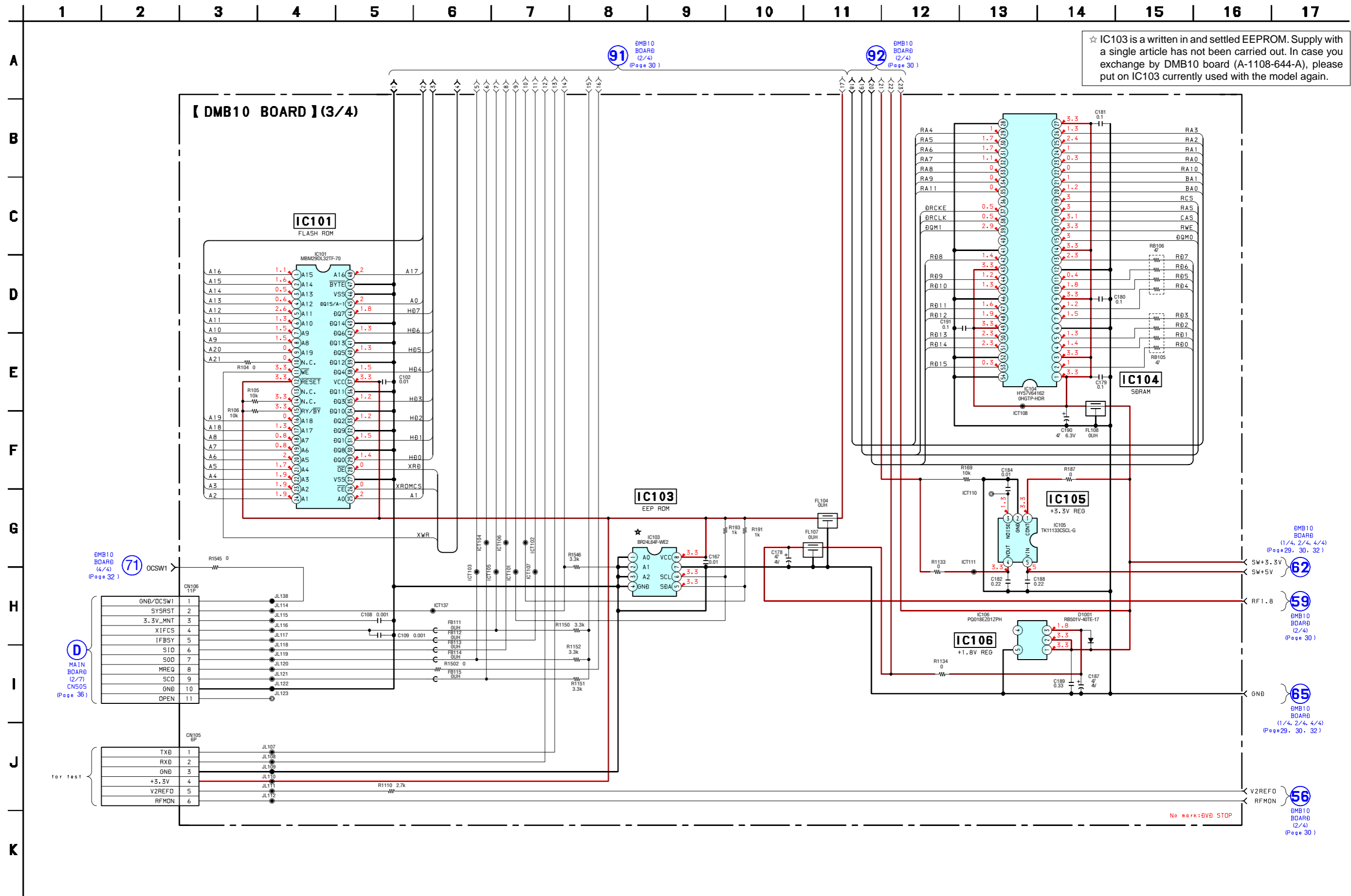
5-4. SCHEMATIC DIAGRAM – DMB10 SECTION (1/4) – • See page 50 for IC Block Diagrams.



5-5. SCHEMATIC DIAGRAM – DMB10 SECTION (2/4) – • See page 56 for IC Pin Function Description. • See page 50 for Waveforms.



5-6. SCHEMATIC DIAGRAM – DMB10 SECTION (3/4) –



5-7. SCHEMATIC DIAGRAM - DMB10 SECTION (4/4) -

1 2 3 4 5 6 7 8 9 10 11 12 13 14

A

B

C

D

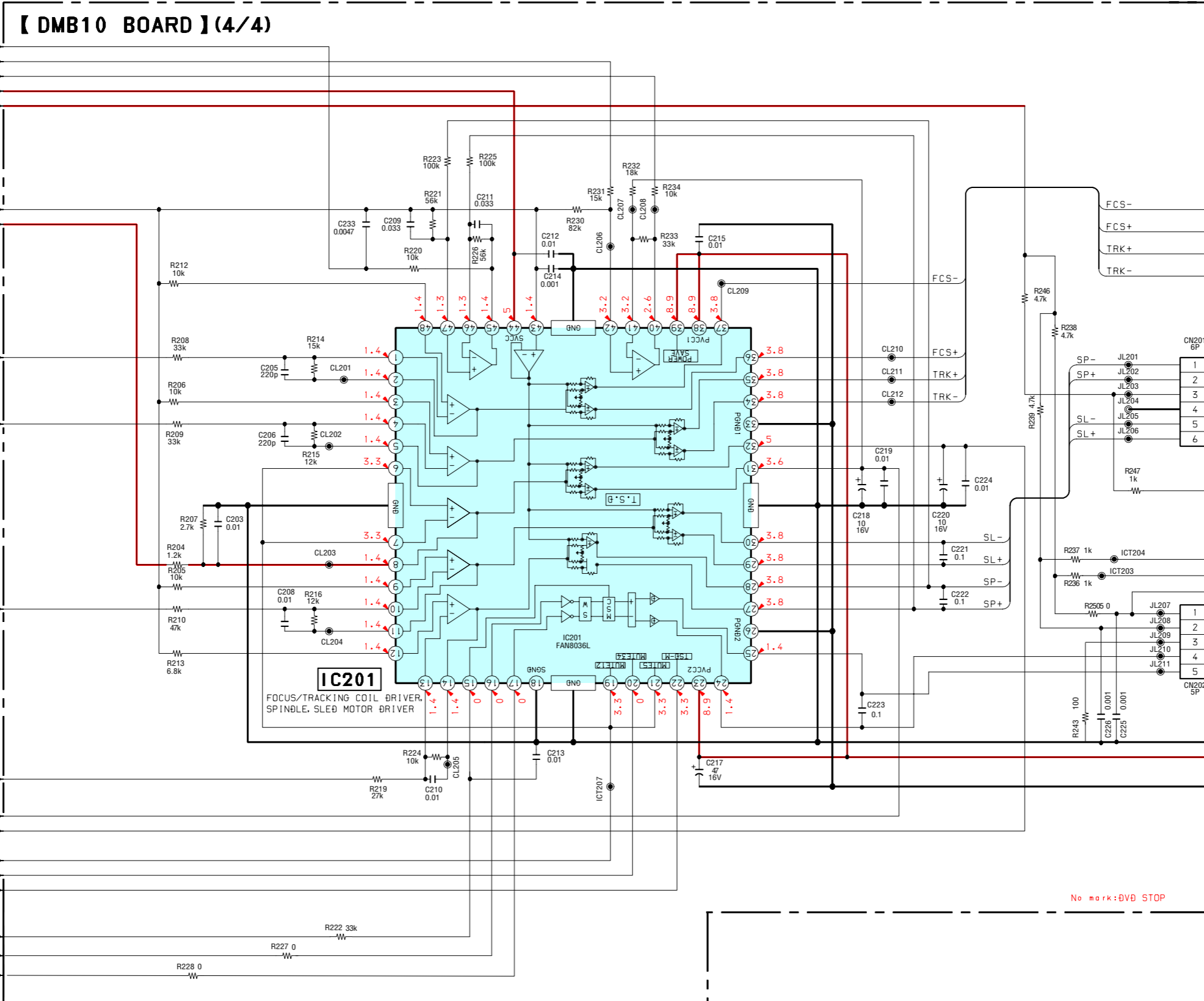
E

F

G

H

I



DMB10 BOARD (2/4) (Page 30) 57

DMB10 BOARD (1/4, 2/4, 3/4) (Page 29, 30, 31) 62

DMB10 BOARD (2/4) (Page 30) 64

DMB10 BOARD (2/4) (Page 30) 58

DMB10 BOARD (2/4) (Page 30) 55

DMB10 BOARD (2/4) (Page 30) 54

DMB10 BOARD (2/4) (Page 30) 61

DMB10 BOARD (2/4) (Page 30) 72

DMB10 BOARD (2/4) (Page 30) 73

DMB10 BOARD (2/4) (Page 30) 50

DMB10 BOARD (2/4) (Page 30) 60

DMB10 BOARD (2/4) (Page 30) 74

DMB10 BOARD (3/4) (Page 31) 71

DMB10 BOARD (1/4, 2/4, 3/4) (Page 29, 30, 31) 65

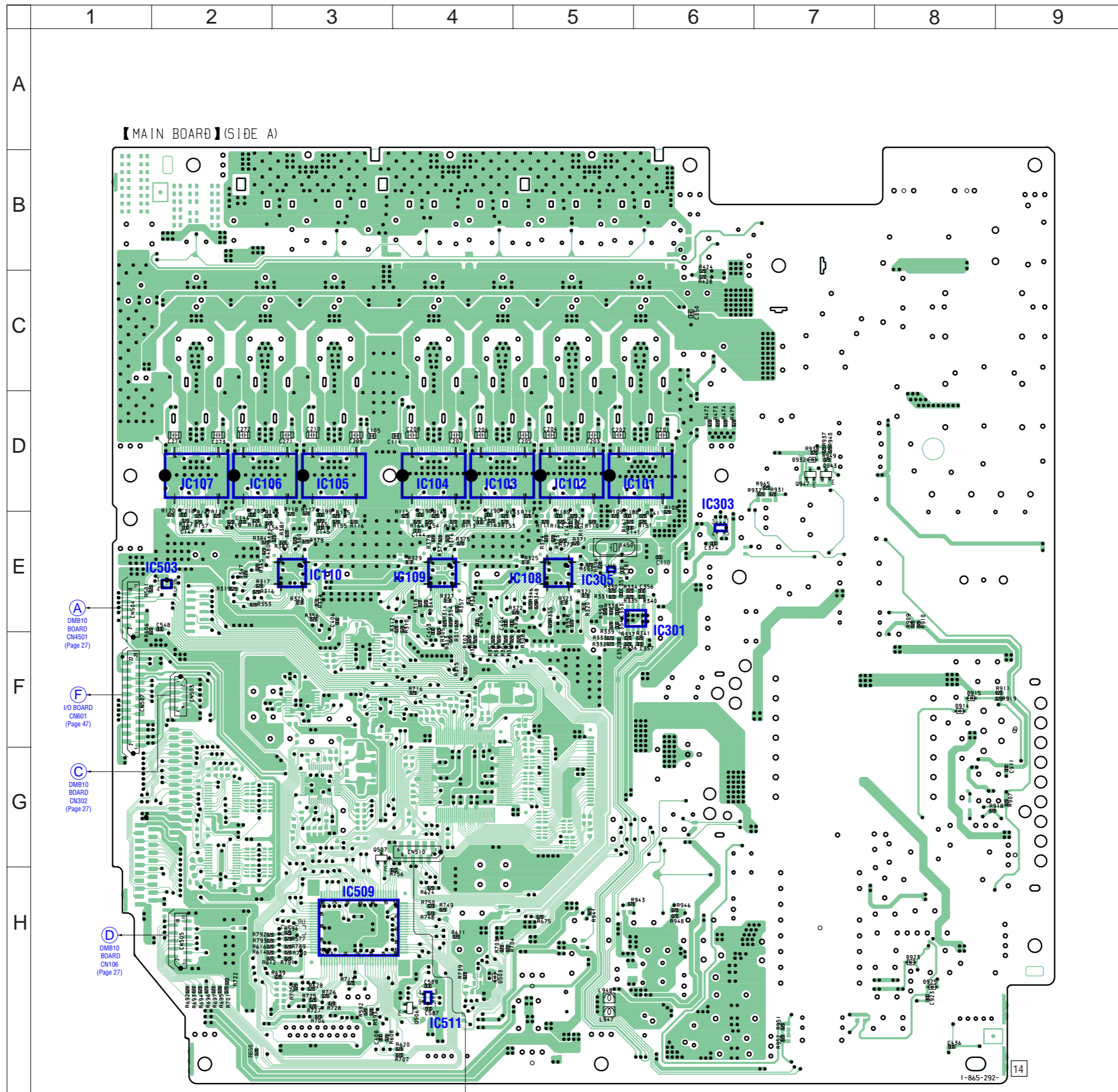
DMB10 BOARD (1/4) (Page 29) 63

OPTICAL PICK-UP BLOCK (KHM-310CAA)

MS-203 BOARD CN001 (Page 45) J

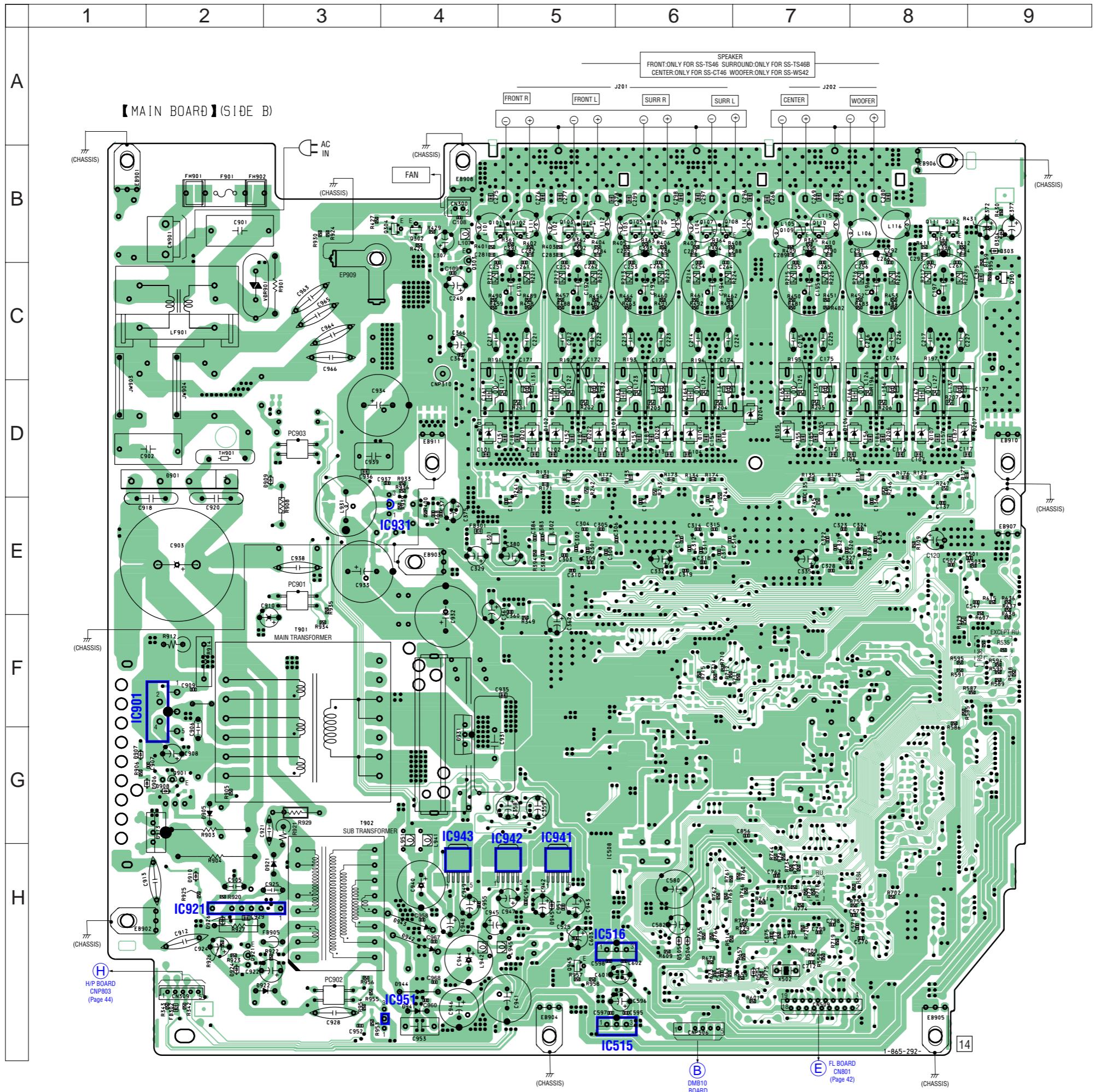
No mark: DVB STOP

5-8. PRINTED WIRING BOARD – MAIN SECTION (SIDE A) – • See page 21 for Circuit Boards Location.  :Uses unleaded solder.



• Semiconductor Location

Ref. No.	Location
D503	H-4
D914	F-8
D915	F-8
D923	H-8
D925	H-8
D932	D-7
IC101	D-6
IC102	D-5
IC103	D-4
IC104	D-4
IC105	D-3
IC106	D-2
IC107	D-2
IC108	E-5
IC109	E-4
IC110	E-3
IC301	E-6
IC303	D-6
IC305	E-5
IC503	E-2
IC509	H-3
IC511	H-4
Q506	H-4
Q507	G-3
Q943	D-7
Q947	D-7



• Semiconductor Location

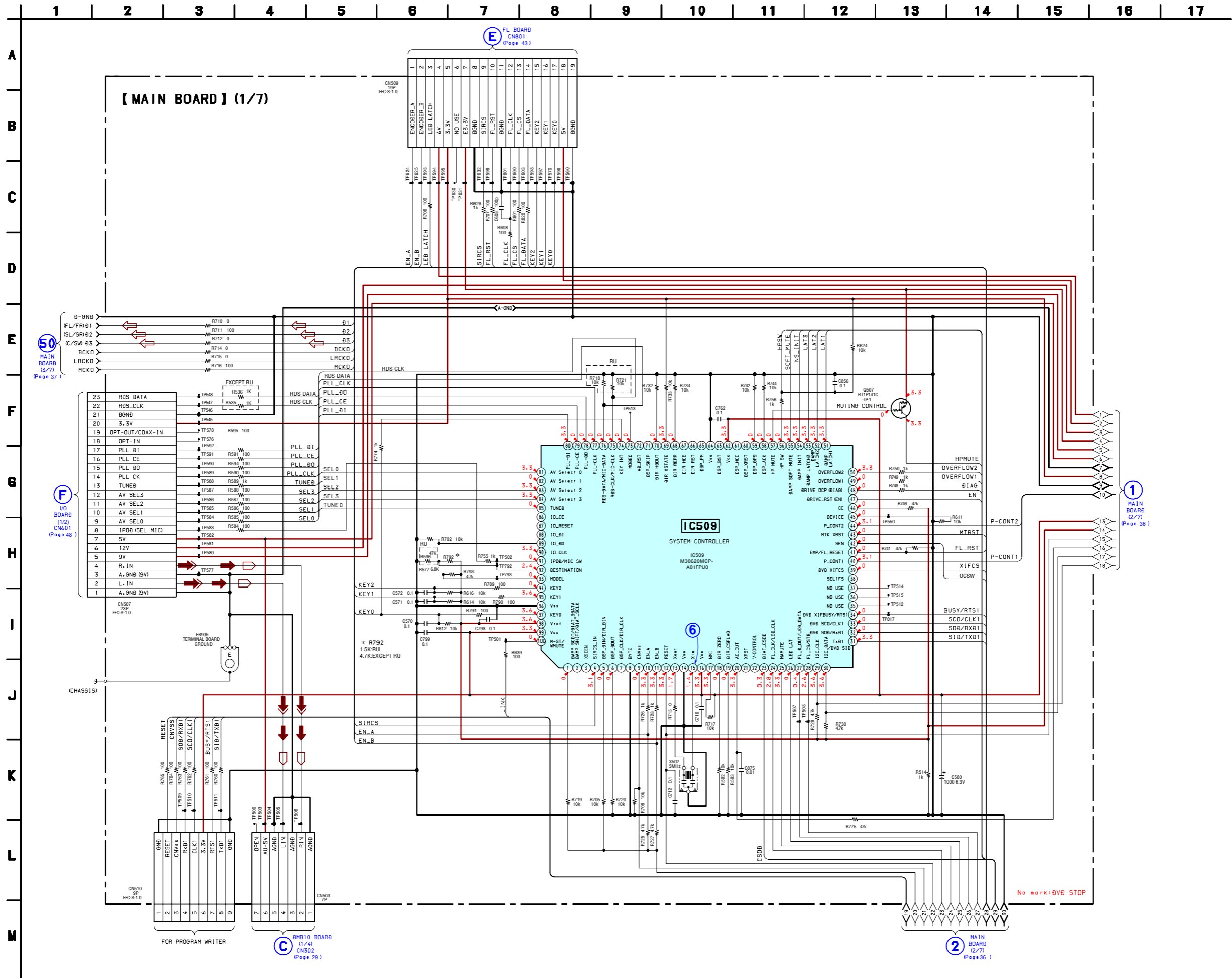
Ref. No.	Location
D101	D-4
D102	D-5
D103	D-6
D104	D-6
D105	D-7
D106	D-8
D107	D-8
D201	D-5
D202	D-5
D203	D-6
D204	D-7
D205	D-7
D206	D-8
D207	D-9
D303	B-9
D304	B-9
D504	H-7
D505	H-6
D506	H-6
D901	D-2
D905	G-2
D906	G-2
D907	G-1
D908	G-2
D909	D-3
D910	H-2
D913	G-2
D921	H-3
D922	H-3
D924	H-2
D931	F-4
D941	H-4
D942	H-4
D943	H-4
D944	H-4
D945	H-5
IC515	H-5
IC516	H-5
IC901	F-1
IC921	H-3
IC931	E-4
IC941	G-5
IC942	G-5
IC943	G-4
IC951	H-4
Q101	B-4
Q102	B-5
Q103	B-5
Q104	B-5
Q105	B-6
Q106	B-6
Q107	B-6
Q108	B-6
Q109	B-7
Q110	B-7
Q111	B-8
Q112	B-8
Q301	C-9
Q302	B-4
Q303	B-4
Q304	B-4
Q901	G-2
Q921	H-2
Q945	H-5

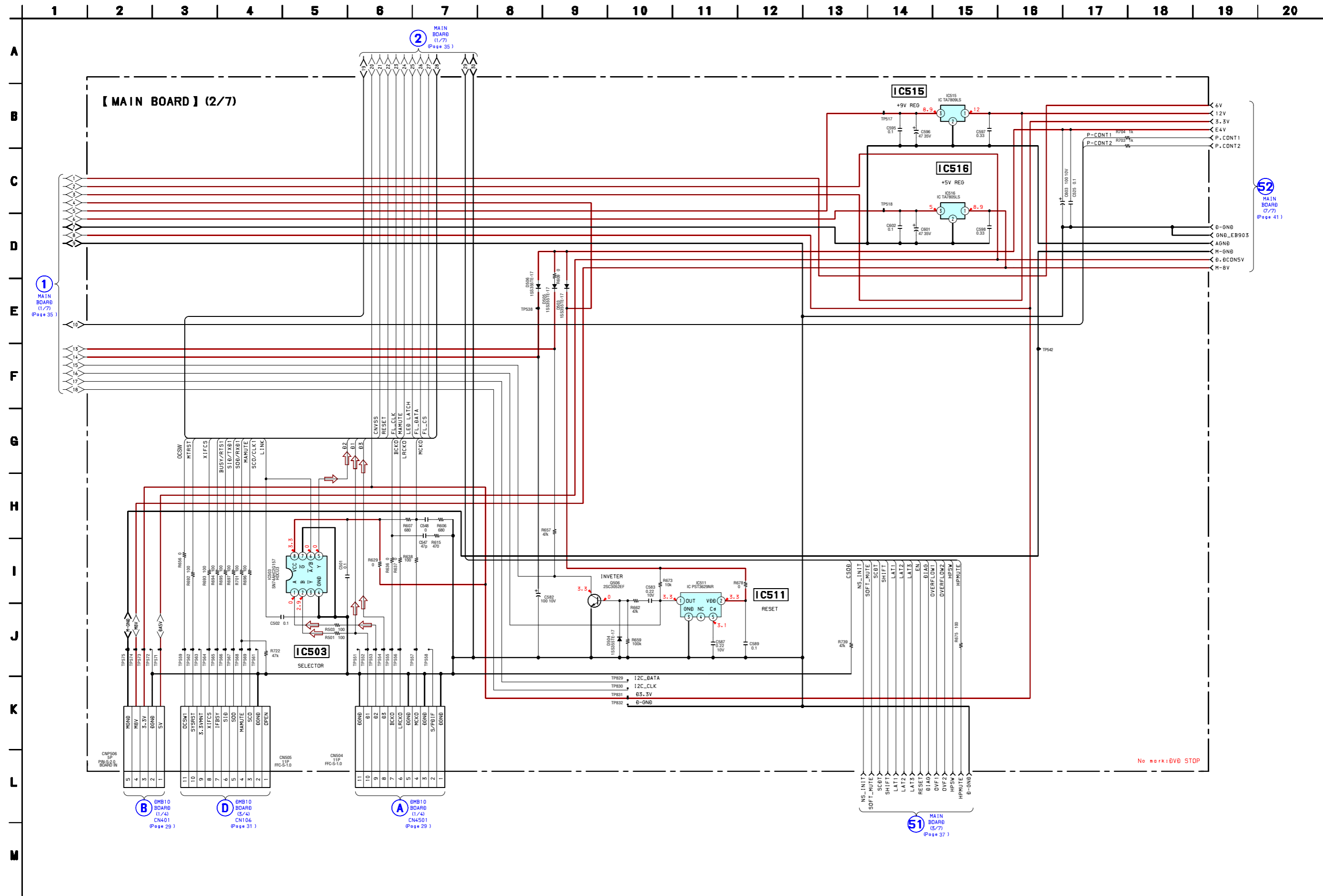
(B) DM810 BOARD CN401 (Page 27)

(E) FL BOARD CN801 (Page 42)

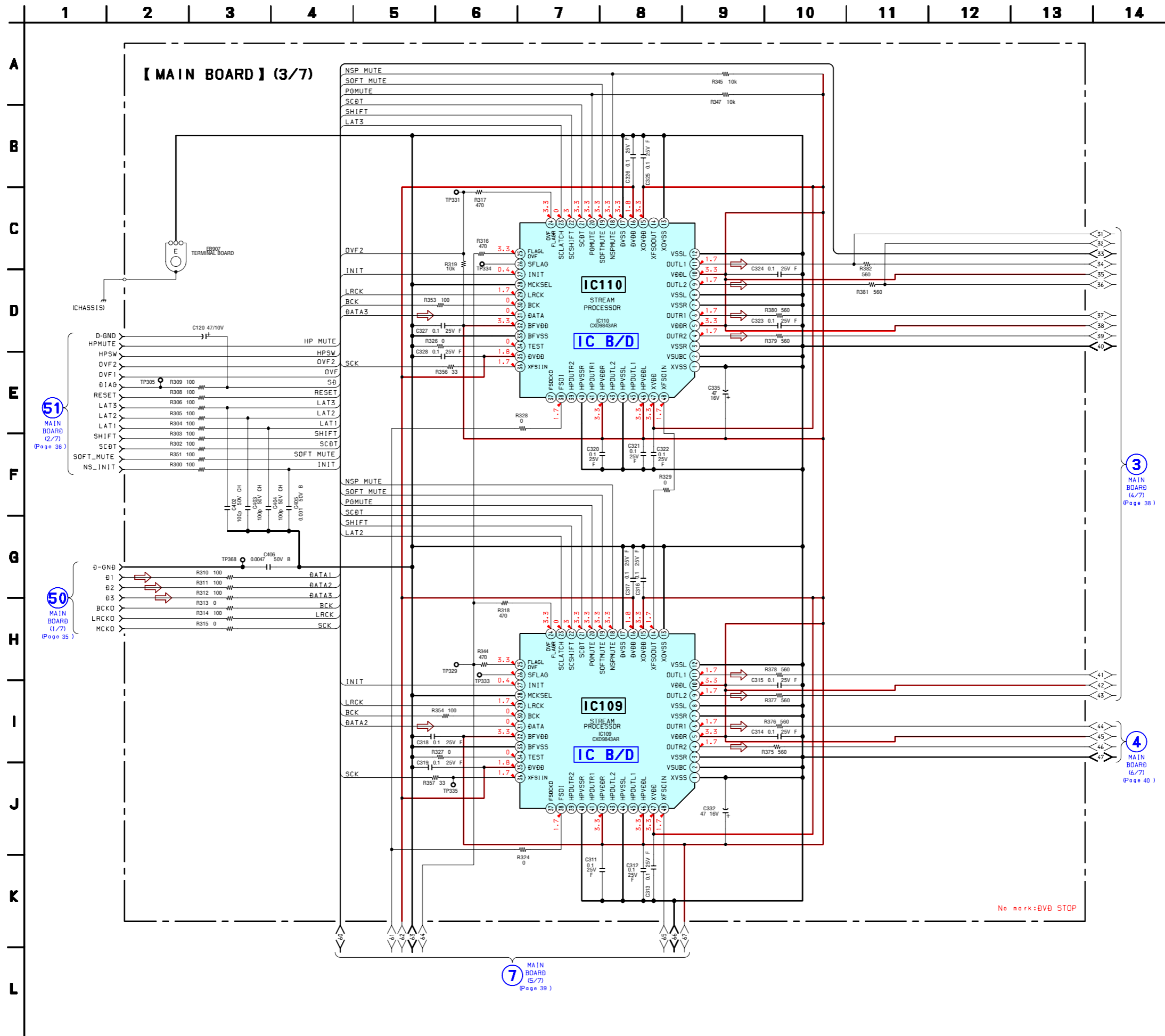
14

5-10. SCHEMATIC DIAGRAM – MAIN SECTION (1/7) – • See page 53 for IC Pin Function Description. • See page 50 for Waveform.





5-12. SCHEMATIC DIAGRAM – MAIN SECTION (3/7) – • See page 51 for IC Block Diagrams.



51 MAIN BOARD (2/7) (Page 36)

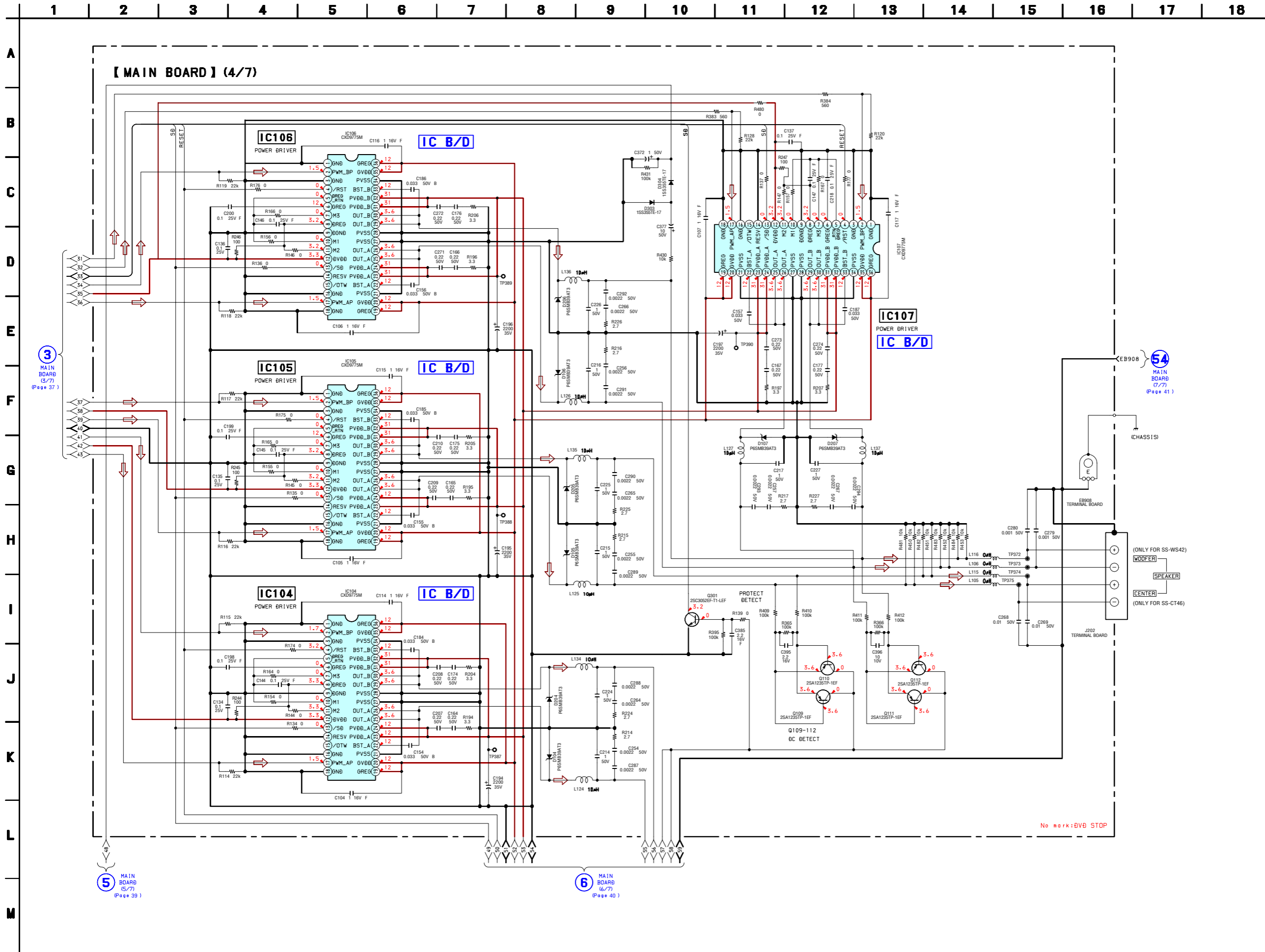
50 MAIN BOARD (1/7) (Page 35)

3 MAIN BOARD (4/7) (Page 38)

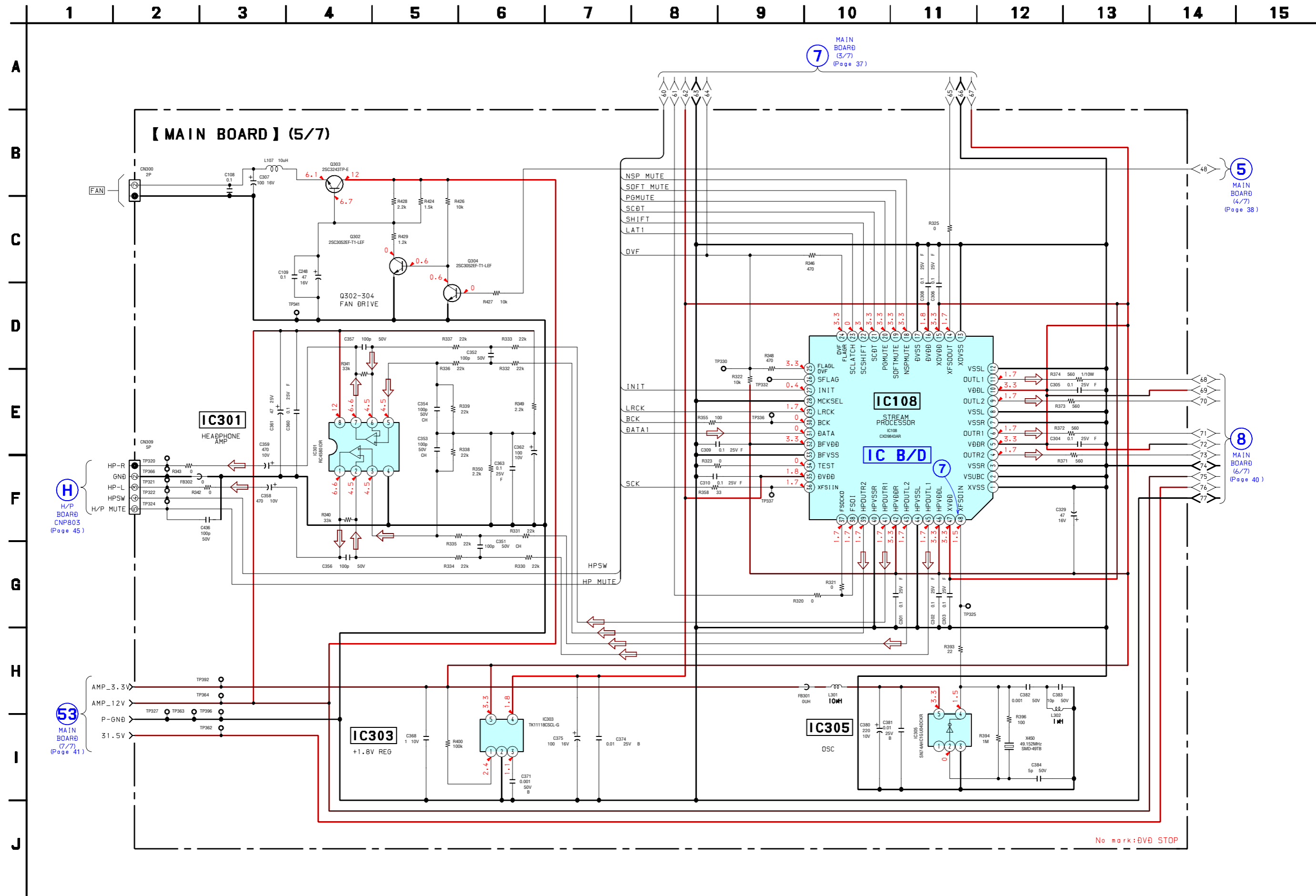
4 MAIN BOARD (6/7) (Page 40)

7 MAIN BOARD (5/7) (Page 39)

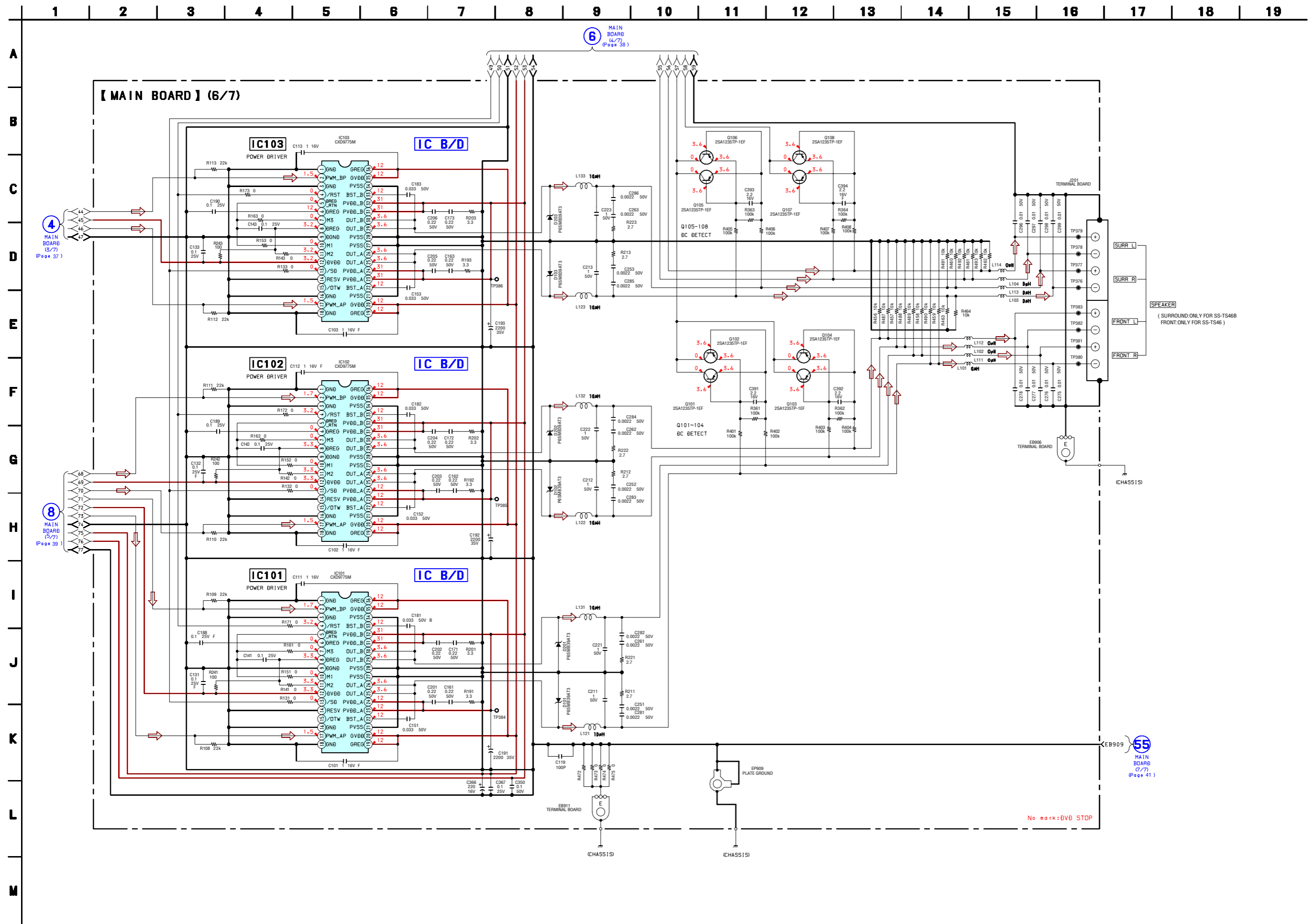
No mark: DVB STOP



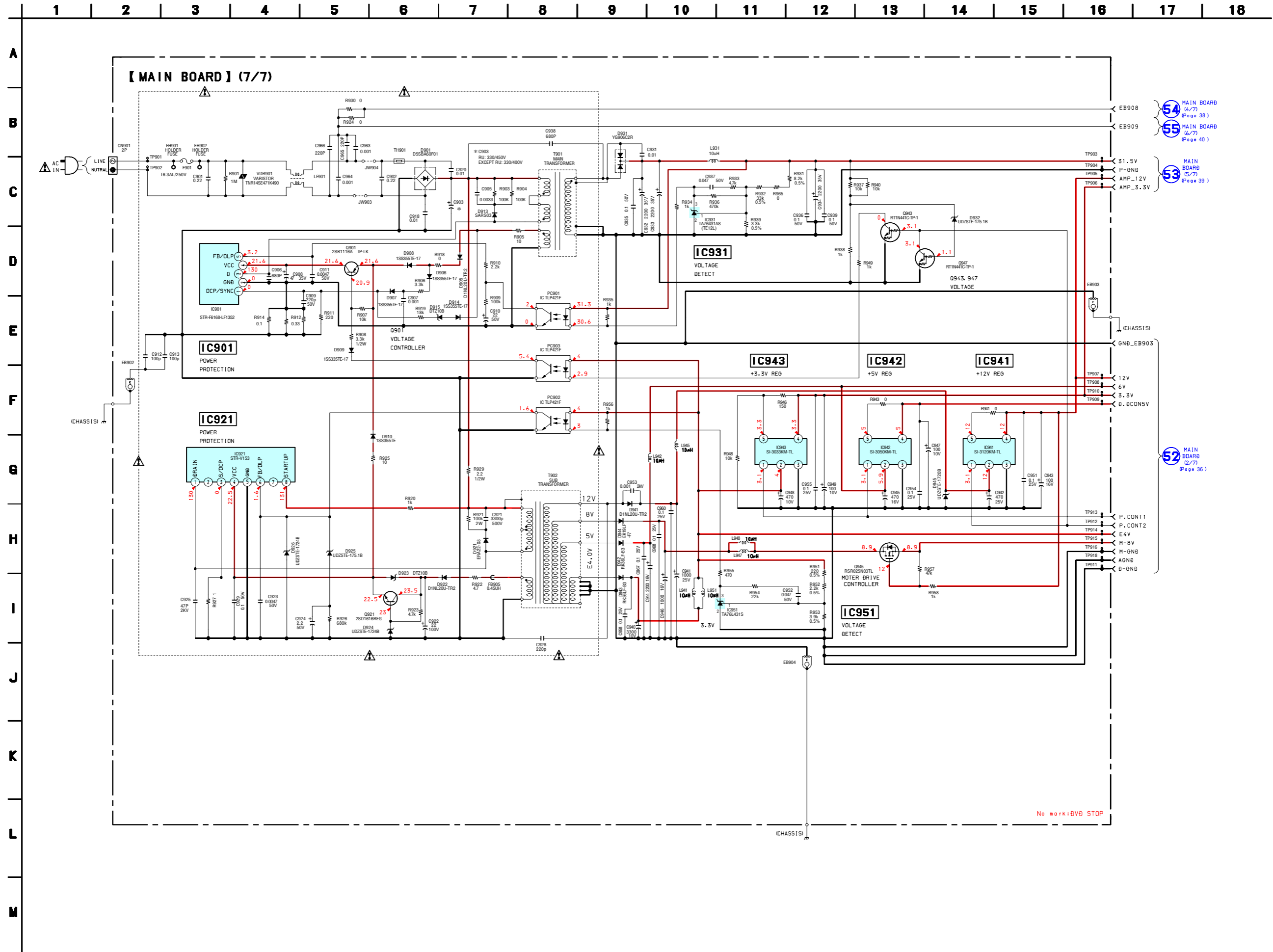
5-14. SCHEMATIC DIAGRAM – MAIN SECTION (5/7) – • See page 51 for IC Block Diagram. • See page 50 for Waveform.



No mark: DVD STOP



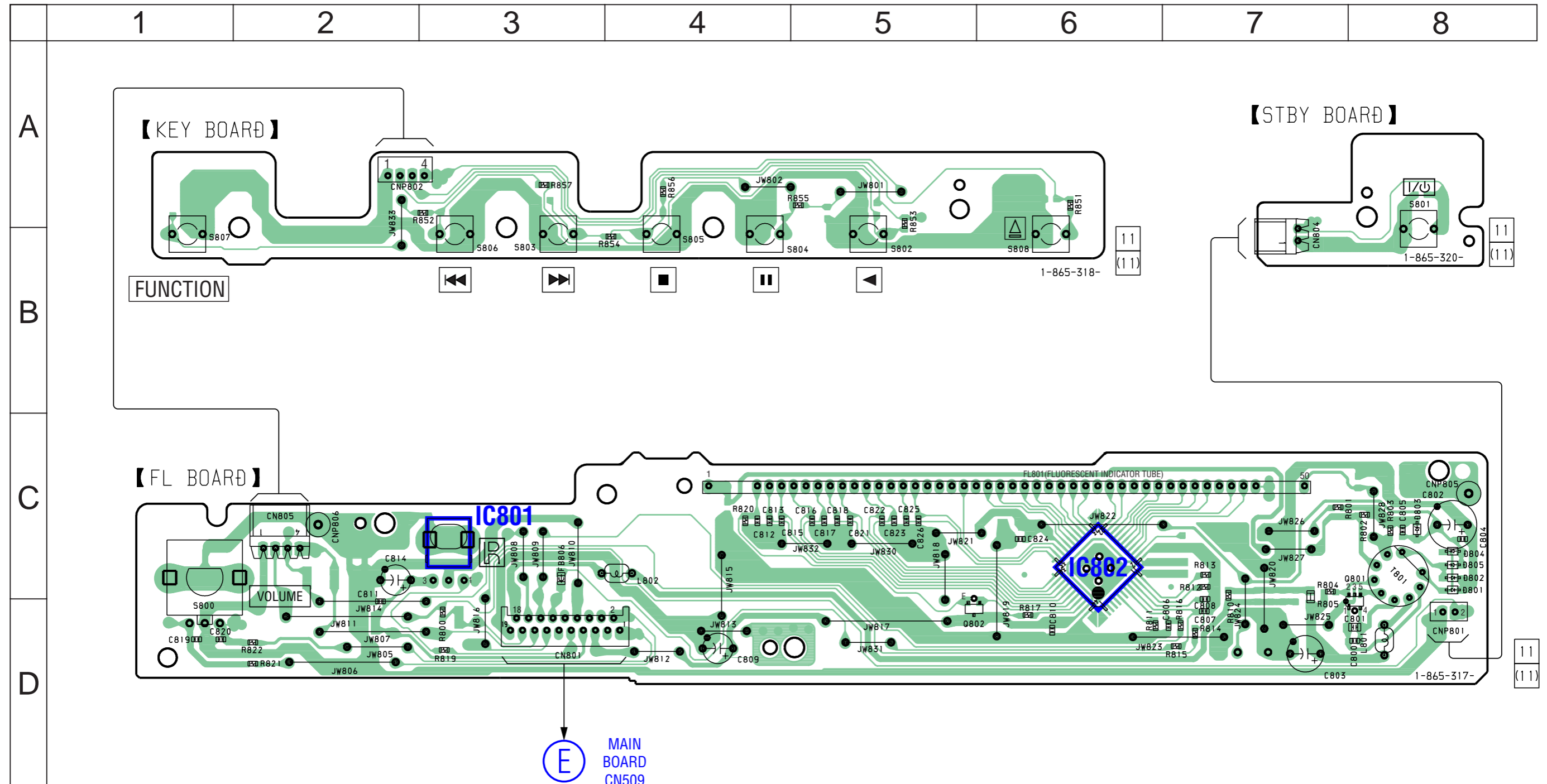
5-16. SCHEMATIC DIAGRAM – MAIN SECTION (7/7) –



54 MAIN BOARD (4/7) (Page 38)
 55 MAIN BOARD (6/7) (Page 40)

53 MAIN BOARD (5/7) (Page 39)

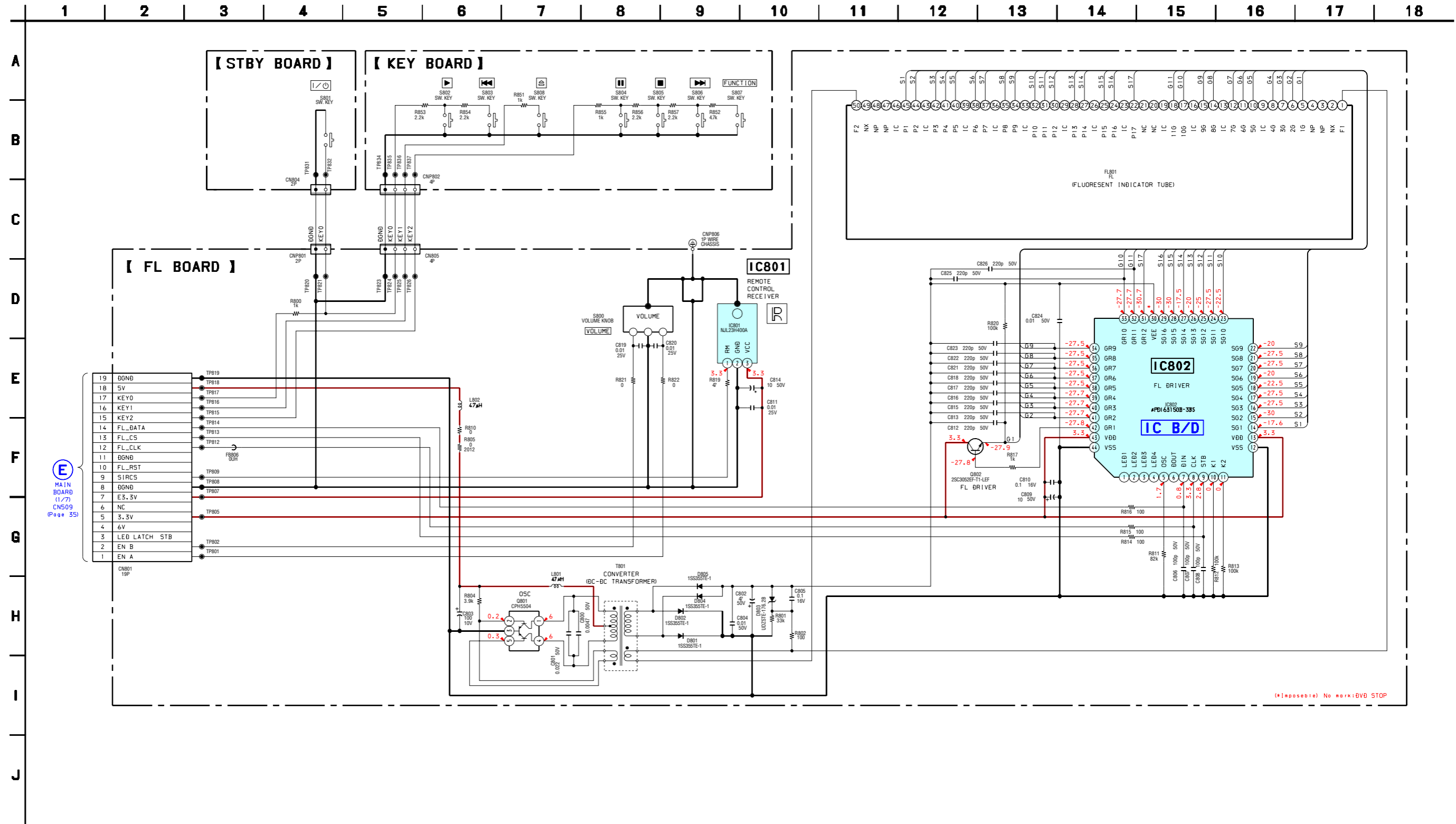
52 MAIN BOARD (2/7) (Page 36)



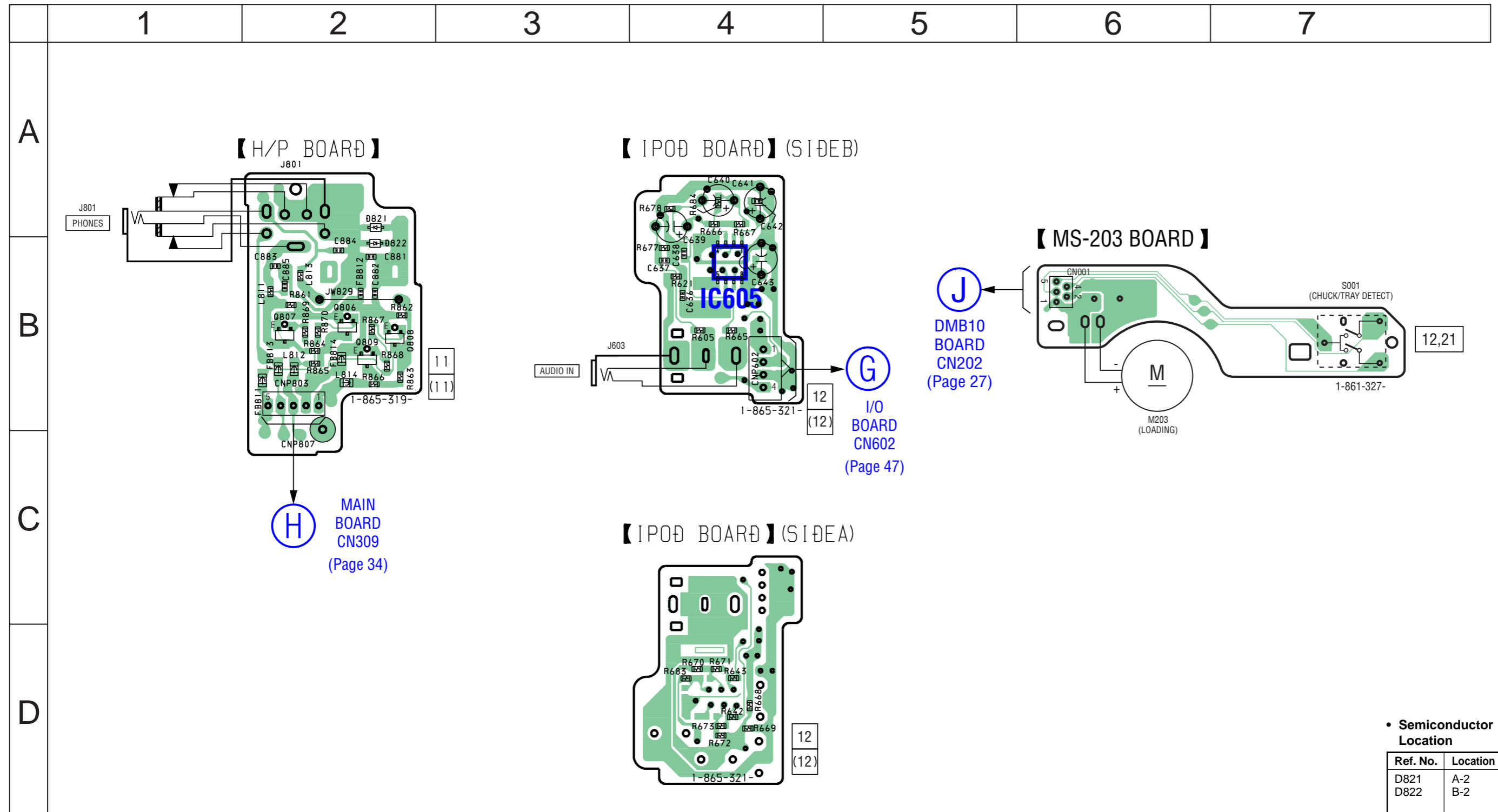
• Semiconductor Location

Ref. No.	Location
D801	C-8
D802	C-8
D803	C-8
D804	C-8
D805	C-8
IC801	C-3
IC802	C-6
Q801	C-8
Q802	C-5

5-18. SCHEMATIC DIAGRAM – PANEL SECTION (1/2) – • See page 52 for IC Block Diagram.



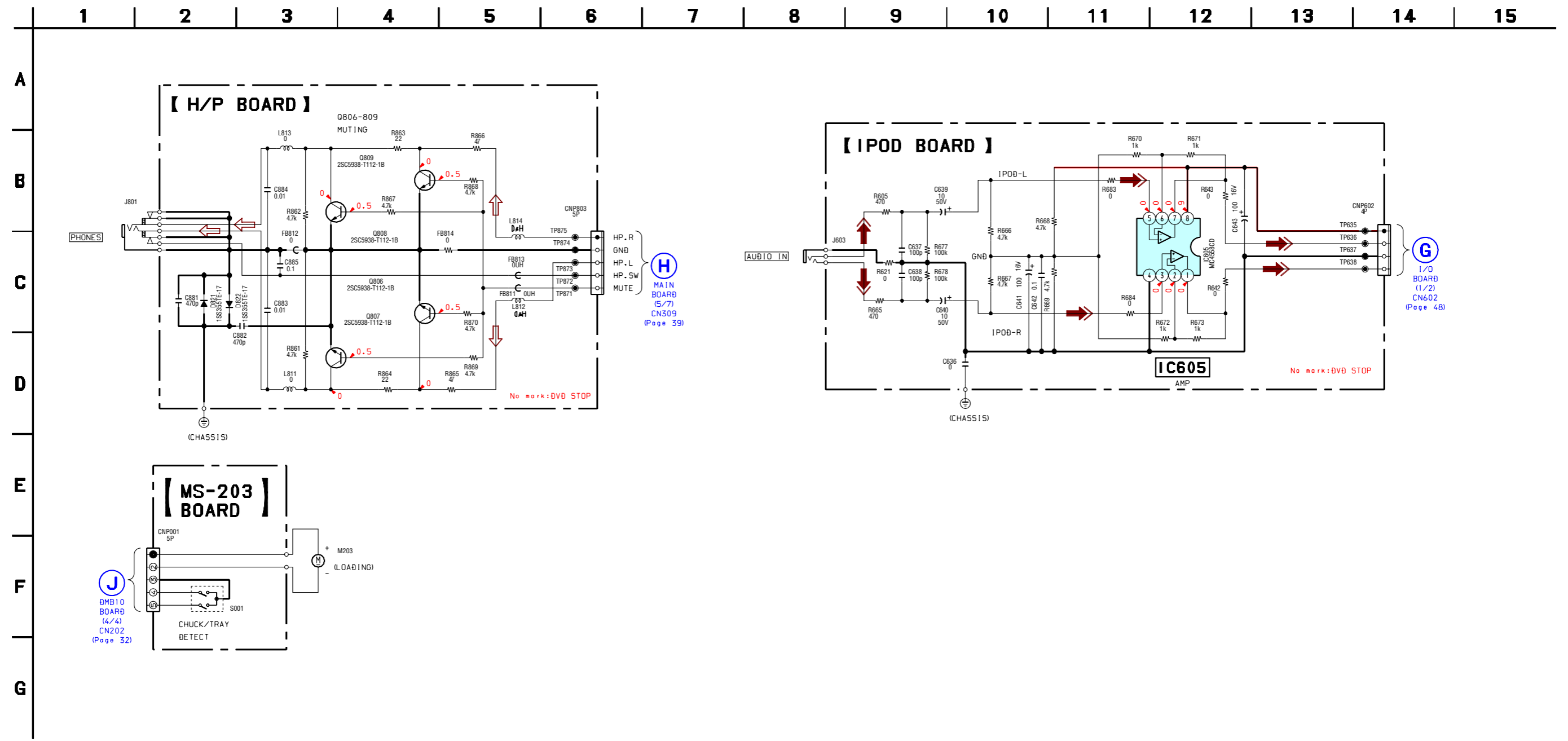
(Impossible) No mark:VDD STOP



• Semiconductor Location

Ref. No.	Location
D821	A-2
D822	B-2
IC605	B-4
Q806	B-2
Q807	B-2
Q808	B-2
Q809	B-2

5-20. SCHEMATIC DIAGRAM – PANEL SECTION (2/2) –



	1	2	3	4	5	6	7	8	9
--	---	---	---	---	---	---	---	---	---

A

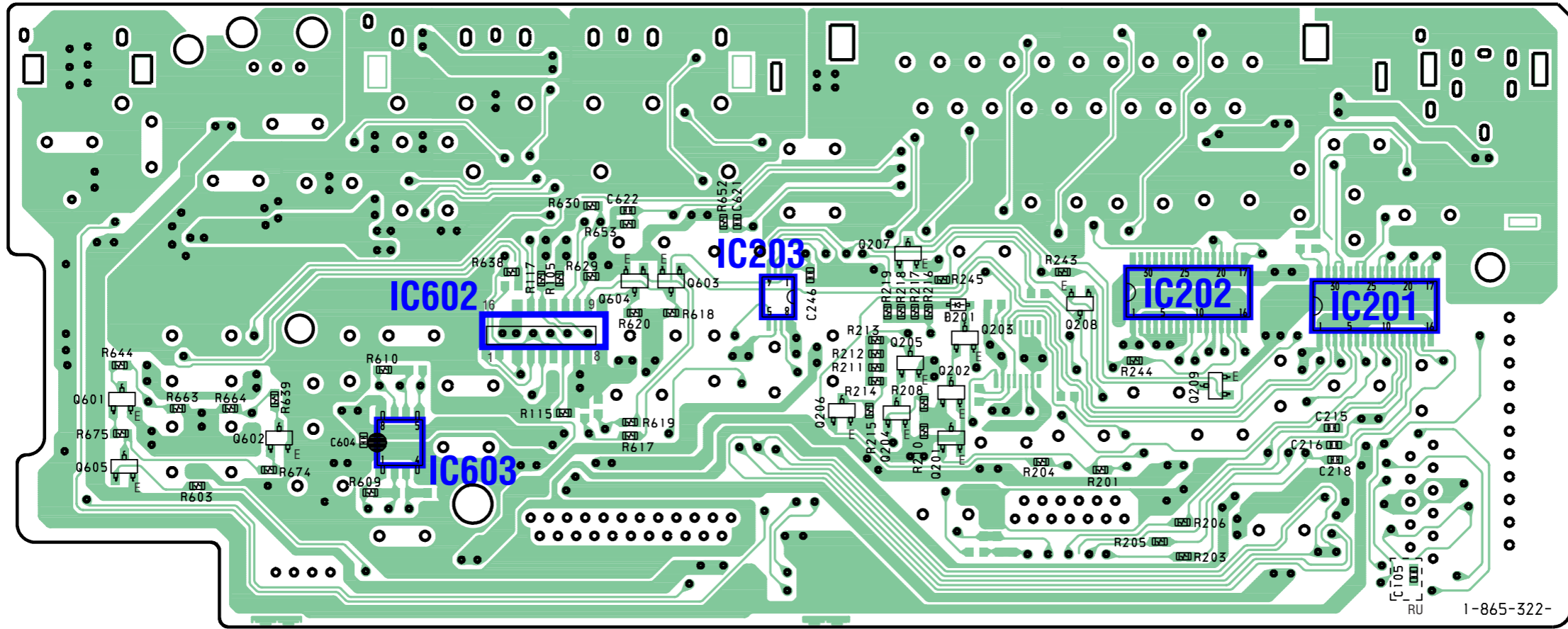
B

C

D

E

【I/O BOARD】 (SIDE A)



• Semiconductor Location

Ref. No.	Location
IC201	D-8
IC202	D-7
IC203	D-5
IC602	D-3
IC603	D-3
Q201	D-6
Q202	D-6
Q203	D-6
Q204	D-6
Q205	D-6
Q206	D-6
Q207	C-6
Q208	D-7
Q209	D-7
Q601	D-2
Q602	D-3
Q603	C-5
Q604	C-4
Q605	D-2

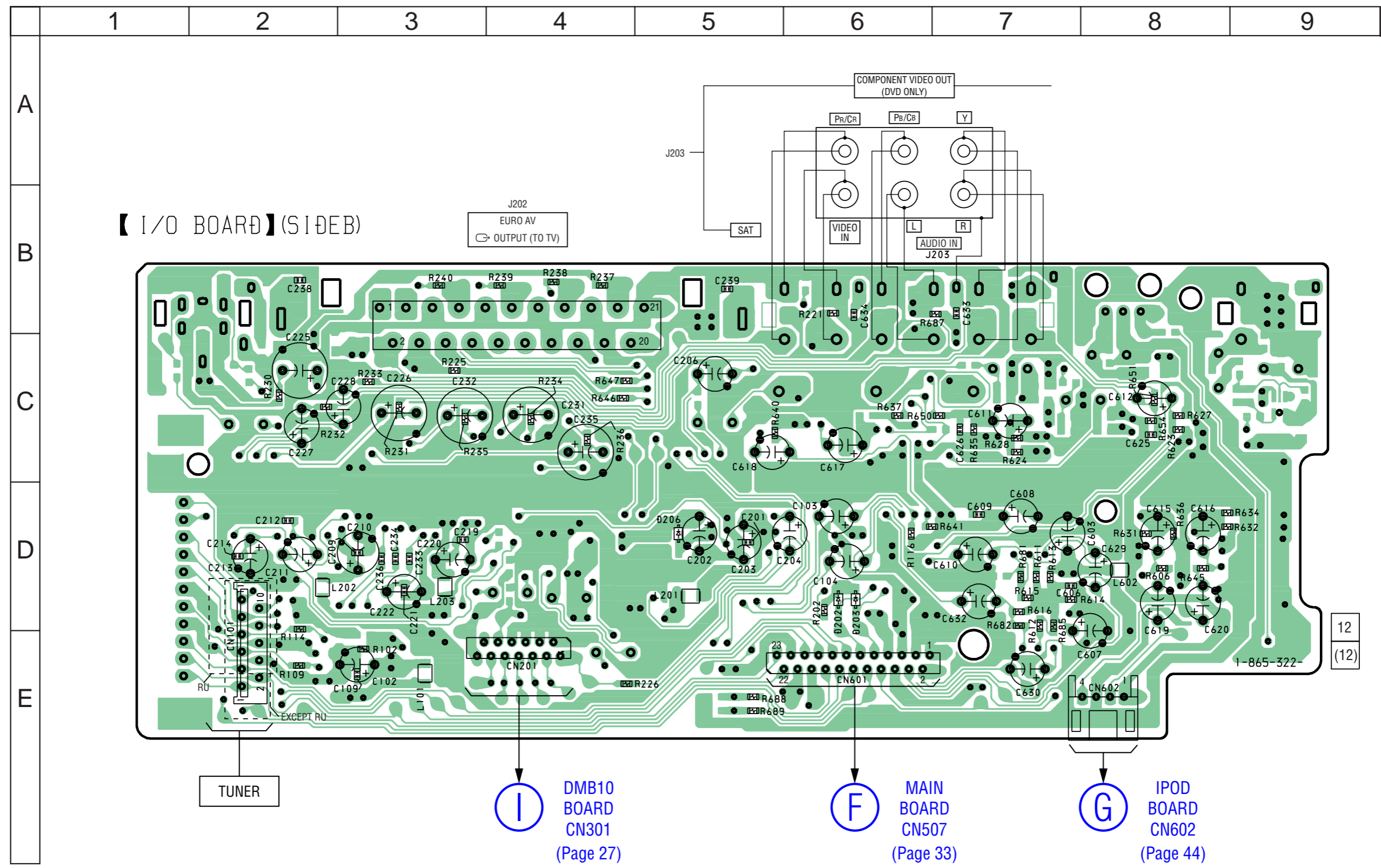
12
(12)

1-865-322-

5-22. PRINTED WIRING BOARD – I/O SECTION (SIDE B) – • See page 21 for Circuit Boards Location.



:Uses unleaded solder.



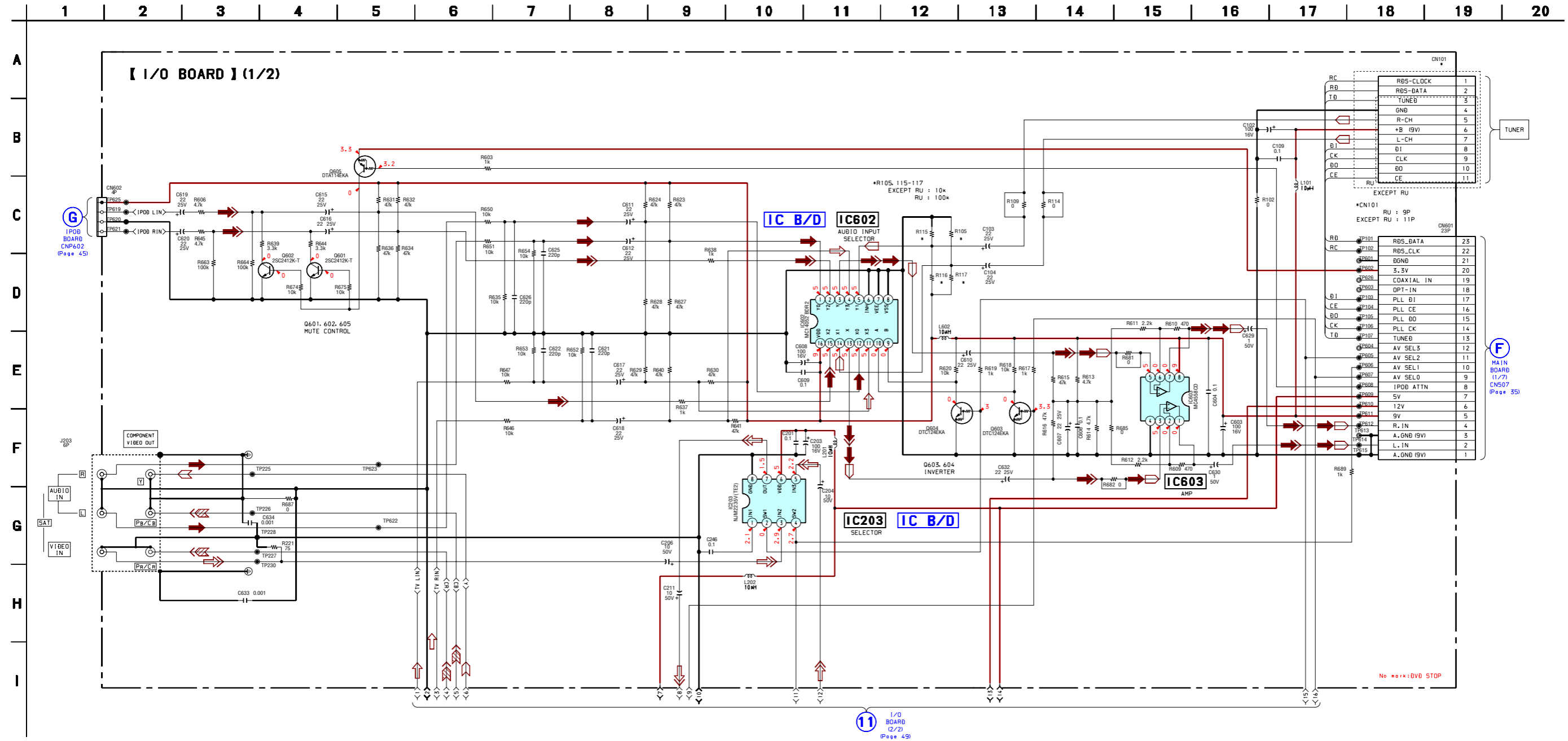
• Semiconductor Location

Ref. No.	Location
D201	C-6
D202	D-6
D203	D-2
D206	D-5

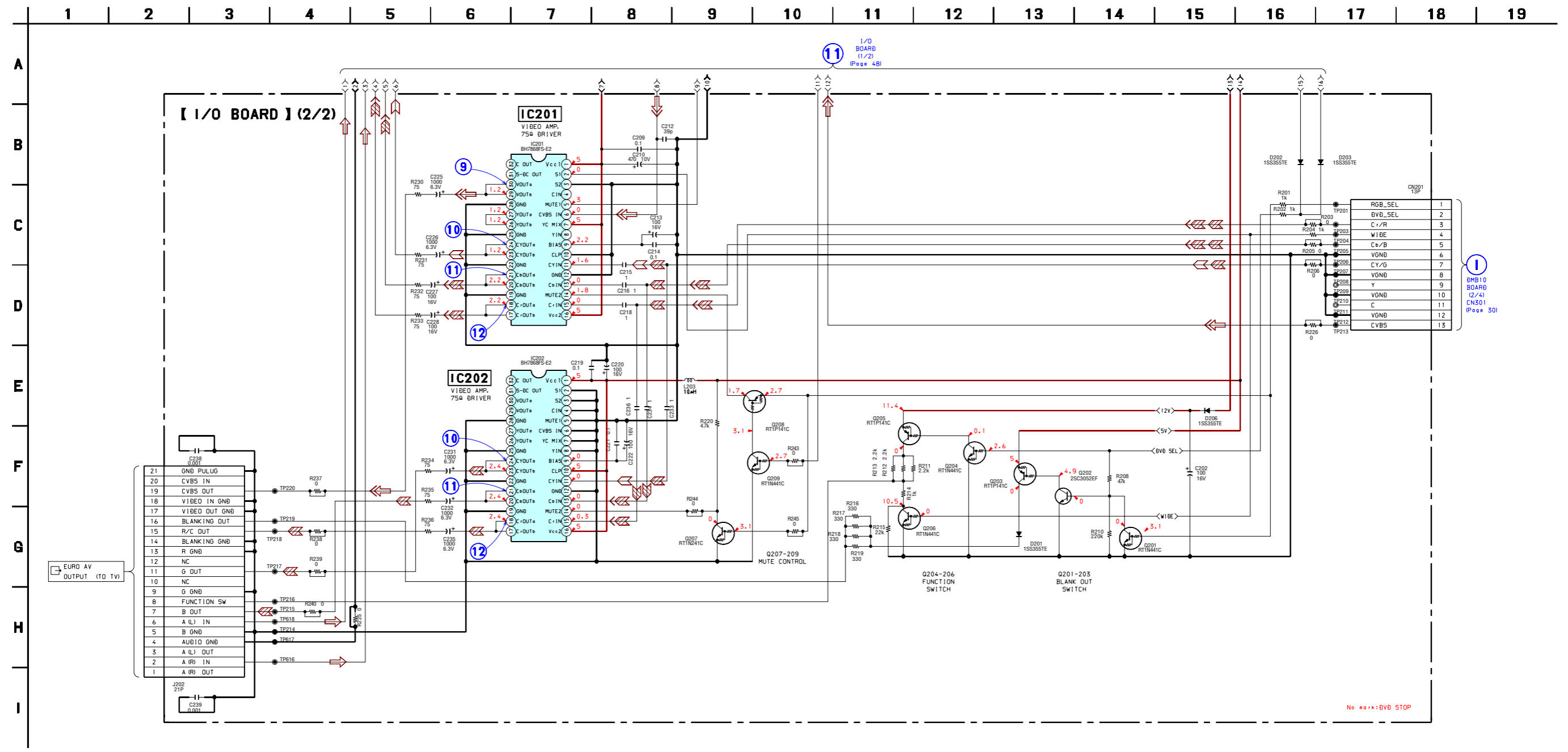
I
DMB10 BOARD
CN301
(Page 27)

F
MAIN BOARD
CN507
(Page 33)

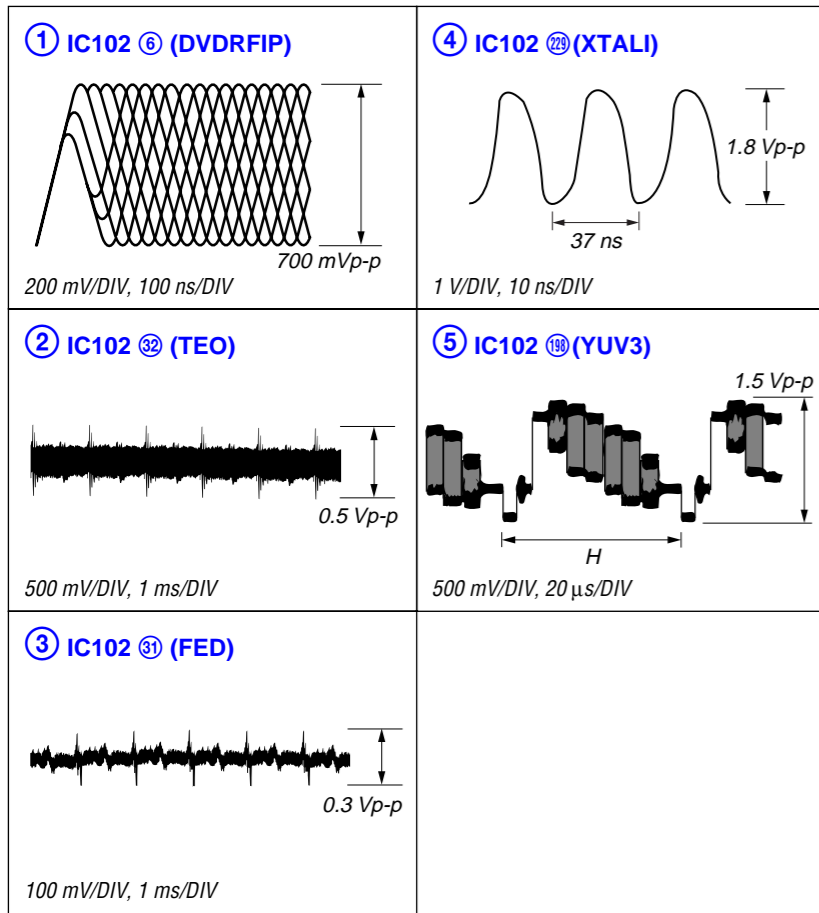
G
IPOD BOARD
CN602
(Page 44)



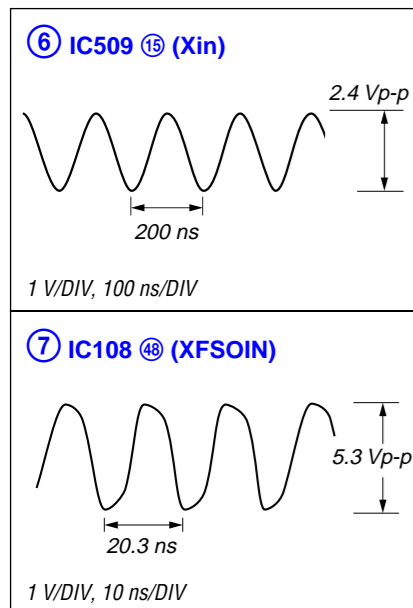
5-24. SCHEMATIC DIAGRAM - I/O SECTION (2/2) - • See page 50 for Waveforms.



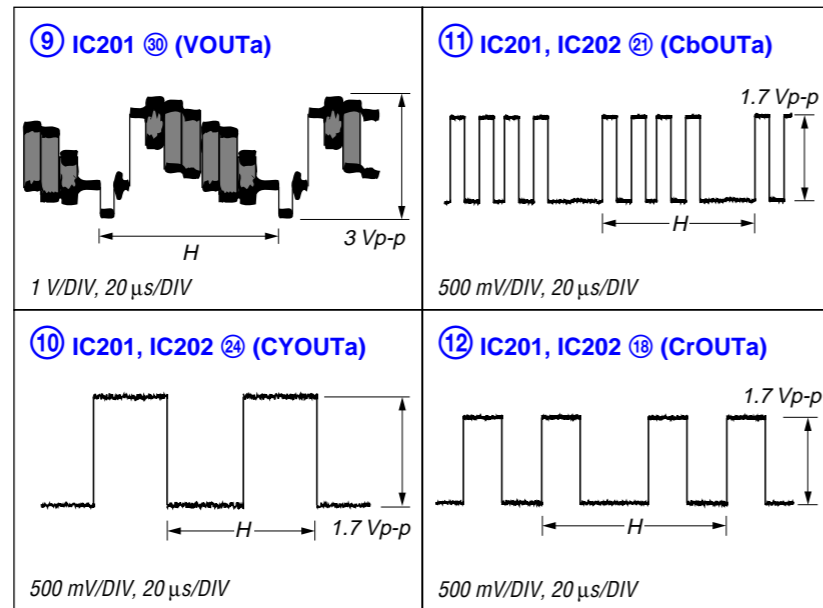
• Waveforms
– DMB10 Board –



– MAIN Board –

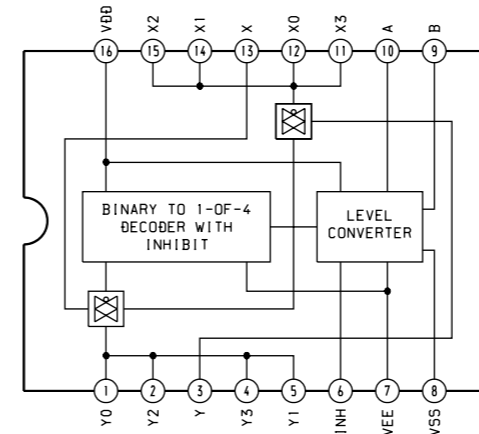


– I/O Board –

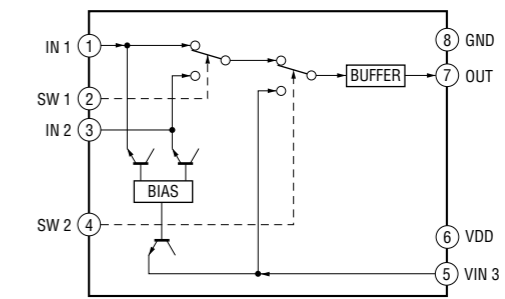


• IC Block Diagrams

– I/O Board –
IC602 MC14052BDR2

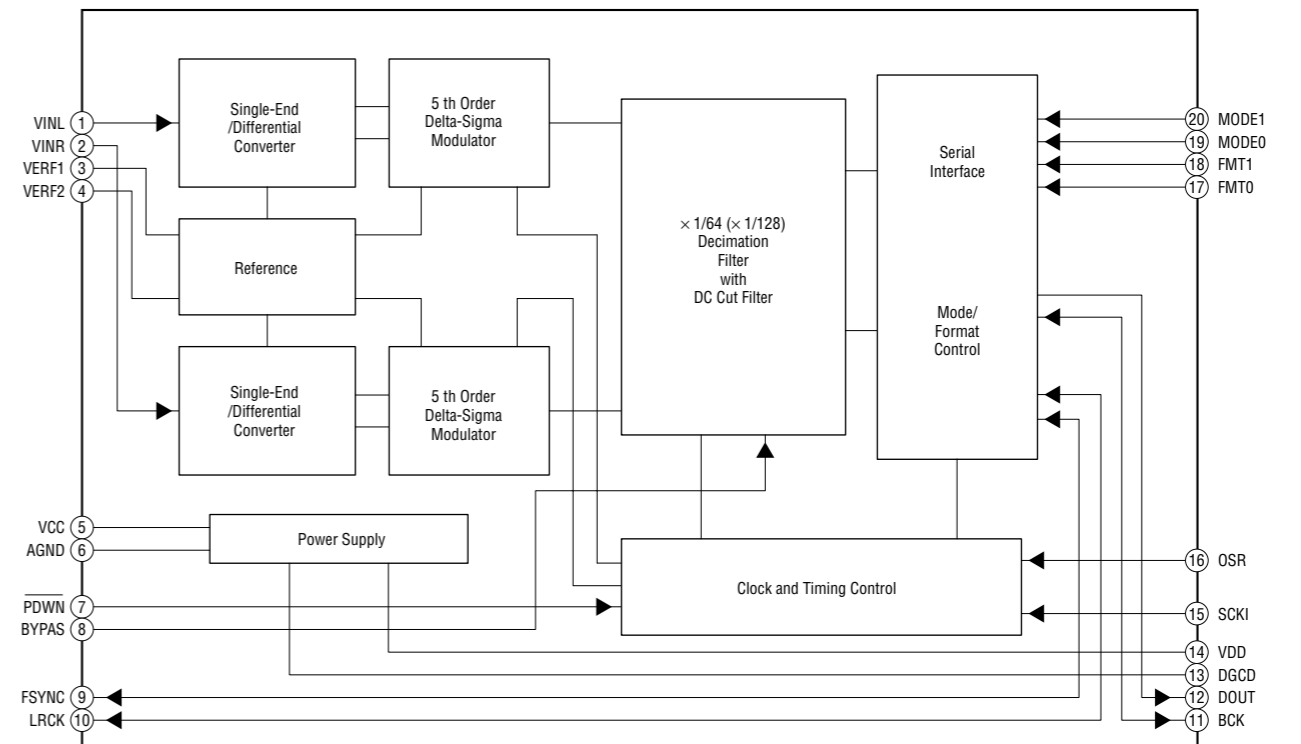


IC203 NJM2235V (TE2)

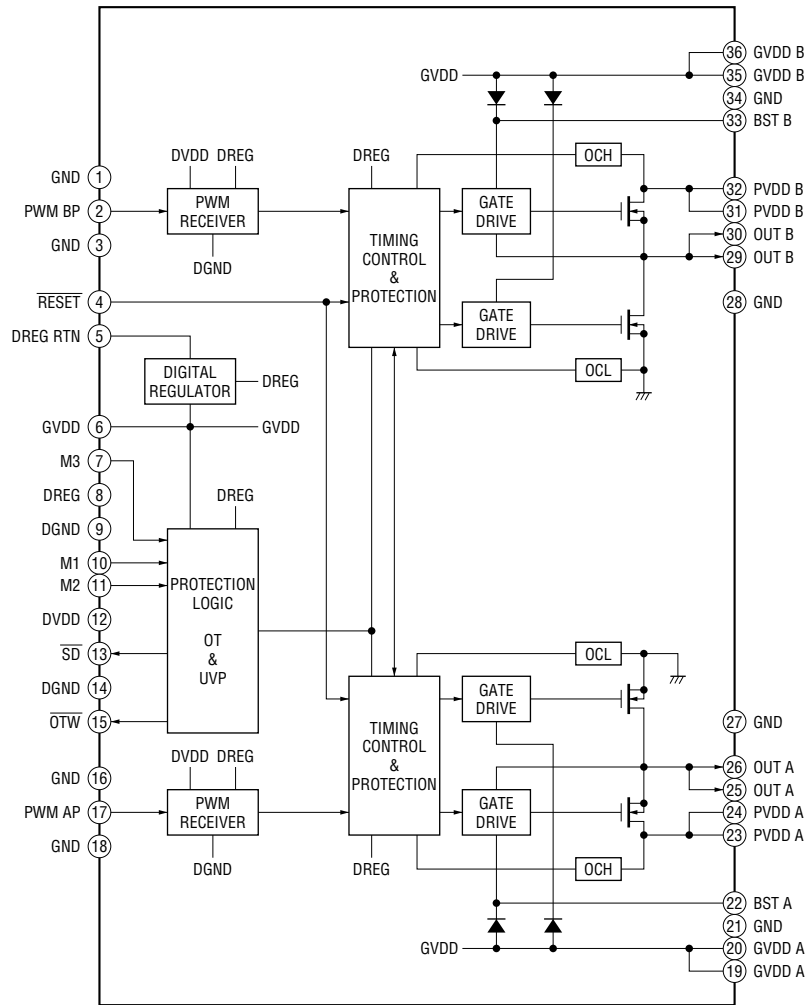


– DMB10 Board –

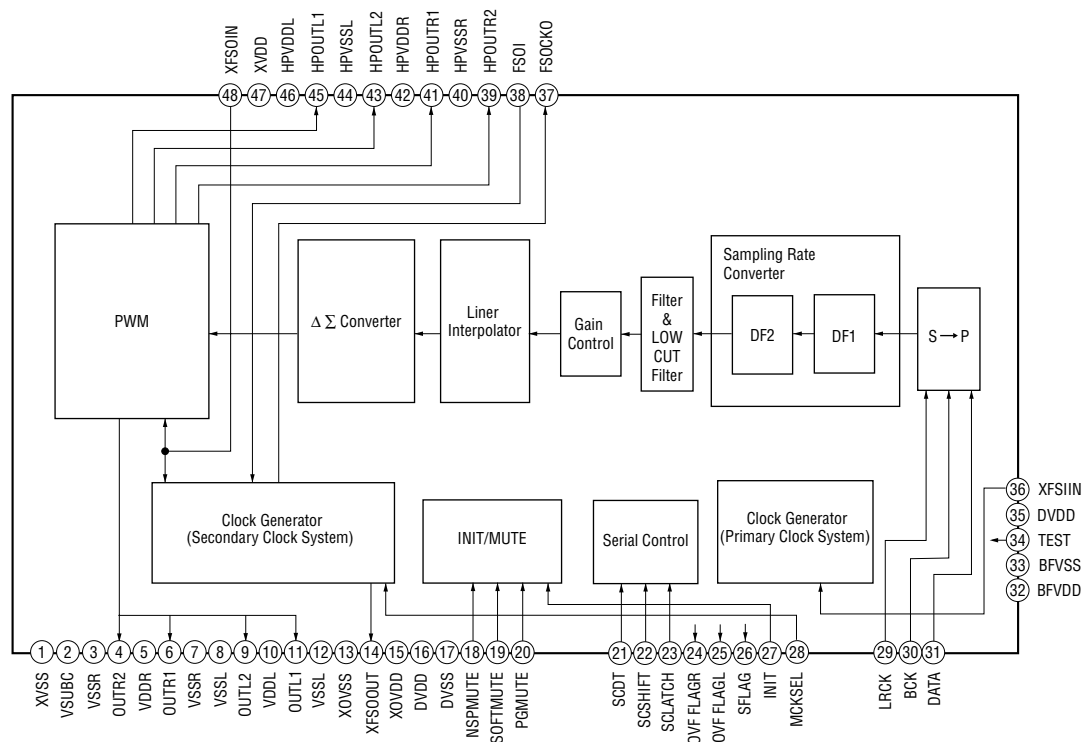
IC3601 PCM1803DBR



- MAIN Board -
IC101-107 CXD9775M

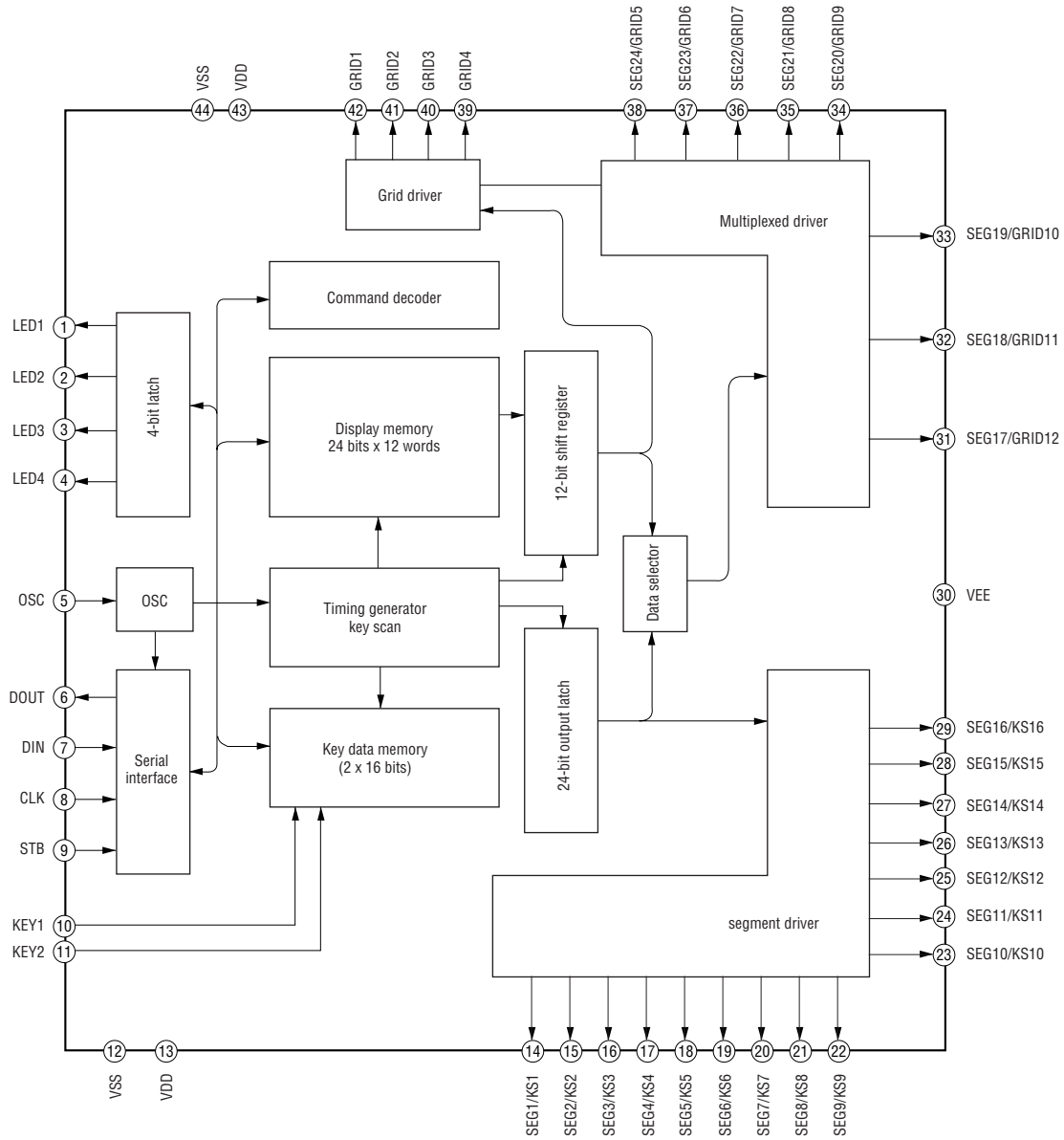


IC108, 109, 110 CXD9843AR



– FL Board –

IC802 uPD16315GB-3BS



• IC Pin Function Description

MAIN BOARD IC509 M30620MCP-A01FPU0 (SYSTEM CONTROLLER)

Pin No.	Pin Name	I/O	Description
1	DAMP SCDT/ DIAT_SDATA	O	Digital amp (IC108 to 110) data output
2	DAMP SHIFT/ DIAT_SCLK	O	Digital amp (IC108 to 110) data output (not used)
3	XSCEN	O	Voltage control for amp (not used)
4	SIRCS_IN	I	Sircs input
5	DSP_DIN/DIR_DIN	O	DSP /DIR data out (not used)
6	DSP_DOUT	I	DSP data in (not used)
7	DSP_CLK/DIR_CLK	O	DSP/DIR clock (not used)
8	BYTE	—	Ground terminal
9	CNVSS	I	Ground terminal
10	EN_A	I	Volume signal input from ENCODER (A)
11	EN_B	I	Volume signal input from ENCODER (B)
12	RESET	I	System reset signal input
13	XOUT	O	Crystal input for main clock
14	VSS	—	Ground terminal
15	XIN	I	Crystal output for main clock
16	VCC	—	Power supply (+3.3V)
17	NMI	I	Not used
18	DIR ZERO	I	DIR zero in (not used)
19	DIR_CSFLAG	I	DIR csflag in (not used)
20	AC_CUT	I	Detect AC-CUT (primary power off)
21	XRST	O	XRST signal output (not used)
22	V-CONTROL	O	Voltage control output (not used)
23	DIAT_CSOD	I	DIAT CSOB signal output (not used)
24	FL_CLK/LED_CLK	O	FL driver (IC802) / LED driver (IC803) clock
25	MAMUTE	I	MAMUTE Signal input from DVD RF (IC102)
26	LED LAT	O	LED driver latch
27	FL_D_OUT/LED_DATA	O	FL driver (IC802) / LED Driver (IC803) data out
28	FL_CS/STB	O	FL driver (IC802) chip select
29	12C_CLK	I	12C clock input
30	12C_DATA	I	12C data input
31	DVD SID/TXDI	O	SID data output to DVD RF (IC102)
32	DVD SOD/RXDI	I	SOD data input from DVD RF (IC102)
33	DVD SCO/CLK1	I	Clock signal input from DVD RF (IC102)
34	DVD XIFBUSY/RTS1	O	IFBUSY signal output to DVD RF (IC102)
35	(NO USE)	—	Not used
36	(NO USE)	—	Not used
37	(NO USE)	—	Not used
38	SEL1FS	—	DIR_SELECT/Flash Write RTS1 (not used)
39	DVD XIFCS	O	DVD RF (IC102) chip select signal
40	P_CONT1	O	IC REG control signal
41	EMP/FL_RESET	O	Not used
42	SEN	O	OCSW signal output (not used)
43	MTK XRST	O	DVD reset signal
44	P_CONT2	O	IC REG control signal
45	DEVICE	O	Not used

Pin No.	Pin Name	I/O	Description
46	CE	O	Flash Write CE (not used)
47	DRIVE_RST(EN)	O	Driver signal reset
48	DRIVE_OCP(DIAG)	I	Digital amp (power driver) diag
49	OVERFLOW1	I	Over flow status1 of digital amp (IC110)
50	OVERFLOW2	I	Over flow status2 of digital amp (IC108 to 110)
51	DAMP LATCH1	O	Digital amp (IC108) chip select1 signal output
52	DAMP LATCH2	O	Digital amp (IC109) chip select2 signal output
53	DAMP LATCH3	O	Digital amp (IC110) chip select3 signal output
54	DAMP INIT	O	Digital amp (IC108 to 110) reset signal output
55	DAMP SOFT MUTE	O	Digital amp (IC108 to 110) soft muting output
56	HP SW	I	Switch headphone is insert
57	HP MUTE	O	Control of muting headphone signal
58	DSP_ACK	I	DSP acknowledge (not used)
59	DSP_GP9	I	DSP GP9 in (not used)
60	DSP_XRST	O	DSP reset (not used)
61	DSP_HCE	O	DSP chip enable (not used)
62	VCC	—	Power supply (+3.3V)
63	DSP_BST	O	DSP bootstrap (for DSP INIT) (not used)
64	VSS	—	Ground terminal
65	DSP_PM	O	DSP pll initial (not used)
66	DIR_RST	O	DIR reset out (not used)
67	DIR HCE	O	DIR chip enable signal output (not used)
68	DIR RERR	I	DIR error input (not used)
69	DIR XSTATE	I	DIR change clock status (not used)
70	DIR HDOUT	I	DIR Data input (not used)
71	DSP_SKIP	O	DSP GP12 (not used)
72	AD_RST	O	ADC reset (not used)
73	MODEO	—	Not used
74	KEY INT	I	Wakeup from ECO mode by key input
75	RDS-CLK/MIC-CLK	O	Tuner RDS clock output
76	RDS-DATA/MIC-DATA	I	Tuner RDS data input
77	PLL-CLK	O	Tuner clock
78	PLL-DO	O	Tuner data out (uCOM→pack)
79	PLL-CE	O	Tuner chip enable
80	PLL-DI	I	Tuner data in (pack→uCOM)
81	AV SELECT 0	O	Audio/Video select0
82	AV SELECT 1	O	Audio/Video select1
83	AV SELECT 2	O	Audio/Video select2
84	AV SELECT 3	O	Audio/Video select3 (not used)
85	TUNED	I	Tuner pack tuned in
86	IO_CE	O	I/O expander chip enable / control of loading CD tray (open action)
87	IO_RESET	O	I/O expander reset / control of loading CD tray (close action)
88	IO_DI	I	I/O expander data in / SW2 of CDM
89	IO_DO	O	I/O expander data out / SW3 of CDM
90	IO_CLK	O	I/O expander clock
91	IPOD/MIC SW	O	Audio signal mute control output
92	DESTINATION	I	Destination select

Pin No.	Pin Name	I/O	Description
93	MODEL	I	Model select
94	KEY2	I	Key input 2
95	KEY1	I	Key input 1
96	VSS	—	Ground
97	KEY0	I	Key input 0
98	VREF	I	Reference Voltage (+3.3V)
99	VCC	I	Power supply (+3.3V)
100	M-ST/WMUTE	O	Selector (IC503) WMUTE signal

DMB10 BOARD IC102 CXD9804R

(CD/DVD RF AMP, FOCUS/TRACKING ERR AMP, DVD SYSTEM PROCESSOR, DIGITAL SERVO PROCESSOR)

Pin No.	Pin Name	I/O	Description
1	AGND	—	Terminal Ground
2	DVDA	I	AC coupled input path A
3	DVDB	I	AC coupled input path B
4	DVDC	I	AC coupled input path C
5	DVDD	I	AC coupled input path D
6	DVDRFIP	I	AC coupled DVD RF signal input RFIP
7	DVDRFIN	I	AC coupled DVD RF signal input RFIN (not used)
8	NA	I	DC coupled main-beam RF signal input A
9	NB	I	DC coupled main-beam RF signal input B
10	MC	I	DC coupled main-beam RF signal input C
11	MD	I	DC coupled main-beam RF signal input D
12	SA	I	DC coupled sub-beam RF signal input A (not used)
13	SB	I	DC coupled sub-beam RF signal input B (not used)
14	SC	I	DC coupled sub-beam RF signal input C (not used)
15	SD	I	DC coupled sub-beam RF signal input D (not used)
16	CDFON	I	CD focusing error negative input (not used)
17	CDFOP	I	CD focusing error positive input (not used)
18	TNI	I	3 beam satellite PD signal negative input
19	TPI	I	3 beam satellite PD signal positive input
20	MDI1	I	Laser power PD monitor input
21	MDI2	I	Laser power PD monitor input
22	LDO2	O	Laser drive output
23	LDO1	O	Laser drive output
24	SVDD3	—	Power Supply (+3.3V)
25	CSO	O	Central servo, Positive main beam summing output (not used)
26	RFLVL	O	RFRP low pass, or Positive main beam summing output (not used)
27	SGND	—	Terminal Ground
28	V2REFO	O	Reference voltage 2.8V
29	V2O	O	Reference voltage 2.0V
30	VREFO	O	Reference voltage 1.4V
31	FEO	O	Focus error monitor output (not used)
32	TEO	O	Tracking error monitor output (not used)
33	TEZISLY	O	TE Slicing Level (not used)
34	OPOUT	O	Op amp output (not used)
35	OPIN	I	Op amp negative input (not used)
36	OPIN	I	Op amp positive input (not used)
37	DMO	O	Disk motor control output. PWM output
38	FMO	O	Feed motor control. PWM output
39	TROPENPWM	O	Tray PWM output/Tray open output.
40	IOPMON	O	General PWM output
41	TRO	O	Tracking servo output
42	FOO	O	Focus servo output
43	USBVSS	—	Terminal Ground
44	USBP	I	USB port DPLUS analog pin (not used)
45	USBM	I	USB port DMINUS analog pin (not used)
46	USBVDD3	—	Power Supply (+3.3V)
47	SPFGG	I	Motor Hall sensor input

Pin No.	Pin Name	I/O	Description
48	AN0	I	Not Used
49	AN1	I	Not Used
50	AN2	I	Not Used
51	MAMUTE	O	MAMUTE signal output to System Controller (IC509) (not used)
52	DVDD18	—	Power Supply (+1.8V)
53 to 58	IOA 2 to 7	O	Address bus 2 to 7 output to PROM (IC101)
59	HIGHA0	O	Address bus 8 output to PROM (IC101)
60, 61	IOA18, 19	O	Address bus 18, 19 output to PROM (IC101)
62	DVSS	—	Terminal Ground
63	APLLCAP	I	APLL External Capacitance connection
64	APLLVSS	—	Terminal Ground
65	DVDD3	—	Power Supply (+3.3V)
66	IOWA	O	WE signal output to PROM (IC101)
67	A16	O	Address bus 16 output to PROM (IC101)
68 to 72	HIGHA 7 to 3	O	Address bus 15 to 11 output to PROM (IC101)
73	DVDD3	—	Power Supply (+3.3V)
74, 75	HIGHA 2, 1	O	Address bus 10, 9 output to PROM (IC101)
76	IOA20	O	Address bus 20 output to PROM (IC101)
77	IOCS	O	CE signal output to PROM (IC101)
78	IOA1	O	Address bus 1 output to PROM (IC101)
79	IOOE	O	OE signal output to PROM (IC101)
80	DVDD3	—	Power Supply (+3.3V)
81 to 84	AD 0 to 3	I	Data bus 0 to 3 input from PROM (IC101)
85	DVSS	—	Terminal Ground
86 to 88	AD 4 to 6	I	Data bus 4 to 6 input from PROM (IC101)
89	IOA21	O	Address bus 21 output to PROM (IC101)
90	ALE	O	Address latch enable (not used)
91	AD7	I	Data bus 7 input from PROM (IC101)
92	A17	O	Address bus 17 output to PROM (IC101)
93	IOA0	O	Address bus 0 output to PROM (IC101)
94	DVSS	—	Terminal Ground
95	UWA	I	System Controller write strobe (not used)
96	URB	I	System Controller read strobe (not used)
97	DVDD18	—	Power Supply (+1.8V)
98	IFSDO	I	DVD SOD signal input from System Controller (IC509)
99	IFCK	O	DVD SCO signal output to System Controller (IC509)
100	XIFCS	I	DVD XIFCS signal input from System Controller (IC509)
101	IFSDI	I	VIFBUSY signal input from System Controller (IC509)
102	SCL	O	SCL signal output to EEPROM (IC103)
103	SDA	O	SDA signal output to EEPROM (IC103)
104	TRG-SW	O	RS232 RXD signal output (not used)
105	IF-BSY	I	RS232 TXD signal input from System Controller (IC509)
106	RXD	I	RD232 RXD clock
107	TXD	I	RD232 TXD data
108	DVDD3	—	Power Supply (+3.3V)
109	ICE	I	ICE mode enable (not used)
110	PRST	I	MTRST signal input from System Controller (IC509)

Pin No.	Pin Name	I/O	Description
111	IR	I	IR control signal input (not used)
112	INT0	I	External interrupt0 (not used)
113	DQMO	O	DQM0 signal output to SD-RAM (IC104)
114	MREQ	I	DQM signal input
115	RD7	I	Data bus 7 from SD-RAM (IC104)
116	DVSS	—	Terminal Ground
117, 118	RD 6, 5	I	Data bus 6, 5 from SD-RAM (IC104)
119	DVSS	—	Terminal Ground
120, 121	RD 4, 3	I	Data bus 4, 3 from SD-RAM (IC104)
122	DVDD18	—	Power Supply (+1.8V)
123 to 125	RD 2 to 0	I	Data bus 2 to 0 from SD-RAM (IC104)
126	RD15	I	Data bus 15 from SD-RAM (IC104)
127	DVDD3	—	Power Supply (+3.3V)
128	RD 14	I	Data bus 14 from SD-RAM (IC104)
129 to 133	RD 13 to 9	I	Data bus 13 to 9 from SD-RAM (IC104)
134	DVSS	—	Terminal Ground
135	RD8	I	Data bus 8 from SD-RAM (IC104)
136	GPI0	—	Not Used
137	DQM1	O	DQM1 signal output to SD-RAM (IC104)
138	REW	O	WE signal output to SD-RAM (IC104)
139	CAS	O	CAS signal output to SD-RAM (IC104)
140	RAS	O	RAS signal output to SD-RAM (IC104)
141	DVDD3	—	Power Supply (+3.3V)
142	RCS	O	RCS signal output to SD-RAM (IC206)
143	BAO	O	BAO signal output to SD-RAM (IC206)
144	DVSS	—	Terminal Ground
145	BA1	O	BA1 signal output to SD-RAM (IC104)
146	RA10	O	Address bus 10 output to SD-RAM (IC104)
147	RA0	O	Address bus 0 output to SD-RAM (IC104)
148	DVSS	—	Terminal Ground
149 to 151	RA 1 to 3	O	Address bus 1 to 3 output to SD-RAM (IC104)
152	DVDD18	—	Power Supply (+1.8V)
153	RVREF	I	Reference voltage
154	RCLKB	I	Dram clock
155	DVDD3	—	Power Supply (+3.3V)
156	RCLK	O	CLK signal output to SD-RAM (IC104)
157	CKE	O	CKE signal output to SD-RAM (IC104)
158 to 160	RA 11 to 8	O	Address bus 11 to 8 output to SD-RAM (IC104)
161	DVSS	—	Terminal Ground
162	RA7	O	Address bus 7 output to SD-RAM (IC104)
163	DVSS	—	Terminal Ground
164 to 166	RA 6 to 4	O	Address bus 6 to 4 output to SD-RAM (IC104)
167	DVDD3	—	Power Supply (+3.3V)
168	DISC/X	—	Not Used
169	RGB	O	RGB control signal output
170	XSMRST	—	Not Used
171	WODE	O	SI signal output to VIDEO AMP (IC201)

Pin No.	Pin Name	I/O	Description
172	NT	—	Not Used
173	DVDD18	—	Power Supply (+1.8V)
174	EUR	—	Not Used
175	DVSS	—	Terminal Ground
176	LIMSW	O	LIMSW signal output to Optical pick-up
177	OCSW	I	SEN signal input from System Controller (IC509)/OCSW signal input
178	VCLK	—	Not Used
179	CKSW	I	CKSW signal input
180	IO3	—	Not Used
181	TSDM	O	TSDM signal output to Motor driver (IC201)
182	DVDD3	—	Power Supply (+3.3V)
183	MUTE	O	MUTE signal output to Motor driver (IC201)
184	MUTE123	O	MUTE signal output to Motor driver (IC201)
185	REW	O	REV signal output to Motor driver (IC201)
186	FWD	O	FWD signal output to Motor driver (IC201)
187	MSW	O	Volume control signal output to Optical pick-up
188	DSEL	O	Select signal output
189	DAVCC	—	Power Supply (+3.3V)
190	VREF	I	Bandgap reference voltage (not used)
191	FS	O	Full scale adjustment (pull down)
192	YUV0	—	Not Used
193	DVSS	—	Terminal Ground
194	YUV1	O	Y signal output to VIDEO AMP (IC201)
195	DAVDD	—	Power Supply (+3.3V)
196	YUV2	O	CHROMA signal output to VIDEO AMP (IC201)
197	DVSS	—	Terminal Ground
198	YUV3	O	VIDEO signal output to VIDEO AMP (IC201)
199	DAVDD	—	Power Supply (+3.3V)
200	YUV4	O	G signal output to VIDEO AMP (IC201)
201	DVSS	—	Terminal Ground
202	YUV5	O	B signal output to VIDEO AMP (IC201)
203	YUV6	O	R signal output to VIDEO AMP (IC201)
204	DVDD3	—	Power Supply (+3.3V)
205	MIC/VSYNC	—	Not Used
206	VOICE/YUV7	—	Not Used
207	KRMOB/HSYNC	—	Not Used
208	SMSCK	—	Not Used
209	SPDATA/SMSDI	I	Audio data of SPDIF input
210	SMSDO	—	Not Used
211	XSMCS	—	Not Used
212	DVDD3	—	Power Supply (+3.3V)
213	ALRCK	I	Audio left/right channel clock
214	ABCK	O	Audio bit clock
215	ACLK	I	Audio DAC master clock
216	DVSS	—	Terminal Ground
217	ASDATA0	O	Audio serial data
218	ASDATA1	O	Audio serial data

Pin No.	Pin Name	I/O	Description
219	ASDATA2	O	Audio serial data
220	XRST	—	Not Used
221	DVDD18	—	Power Supply (+1.8V)
222	ASDATA4	O	Audio serial data (not used)
223	DVSS	—	Terminal Ground
224	DWIDE	—	Not Used
225	SDPIF	—	SPDIF output (not used)
226	RFGND18	—	Terminal Ground
227	RFVDD18	—	Power Supply (+1.8V)
228	ZTALO	O	Oscillator output signal
229	ZTALI	I	Oscillator input signal
230	JITFO	O	RF jitter meter output
231	JITFN	I	Negative input of operation amplifier for RF jitter meter
232	PLLSS	—	Terminal Ground
233	IDAC	—	Not Used
234	PLLVD3	—	Power Supply (+3.3V)
235	LPFON	O	Negative output of loop filter amplifier
236	LPFIP	I	Positive input of loop filter amplifier
237	LPFIN	I	Negative input of loop filter amplifier
238	LPFOP	O	Positive output of loop filter amplifier
239	VDD3	I	Power Supply (+3.3V)
240	VCM	I	SACD-Common mode Reference
241	VSS	—	Terminal Ground
242	VREEP	I	SACD-TOP Reference
243	VREEN	I	SACD-Bottom Reference
244	RFVDD3	—	Power Supply (+3.3V)
245	RFRPDC	I	RFRP signal input
246	RFRPAC	I	RFRP signal input
247	HRFZC	I	High frequency RF ripple zero crossing
248	CRTPLP	O	Defect level filter capacitor connecting
249	RFGND	—	Terminal Ground
250	CEQP	O	EQ offset loop capacitance (not used)
251	CEQN	O	EQ offset loop capacitance (not used)
252	OSP	O	RF offset cancellation capacitor connecting
253	OSN	I	RF offset cancellation capacitor connecting
254	RFGC	O	RF offset loop capacitor connecting for DVD-ROM
255	IREF	I	Current reference input
256	AVDD3	—	Power Supply (+3.3V)

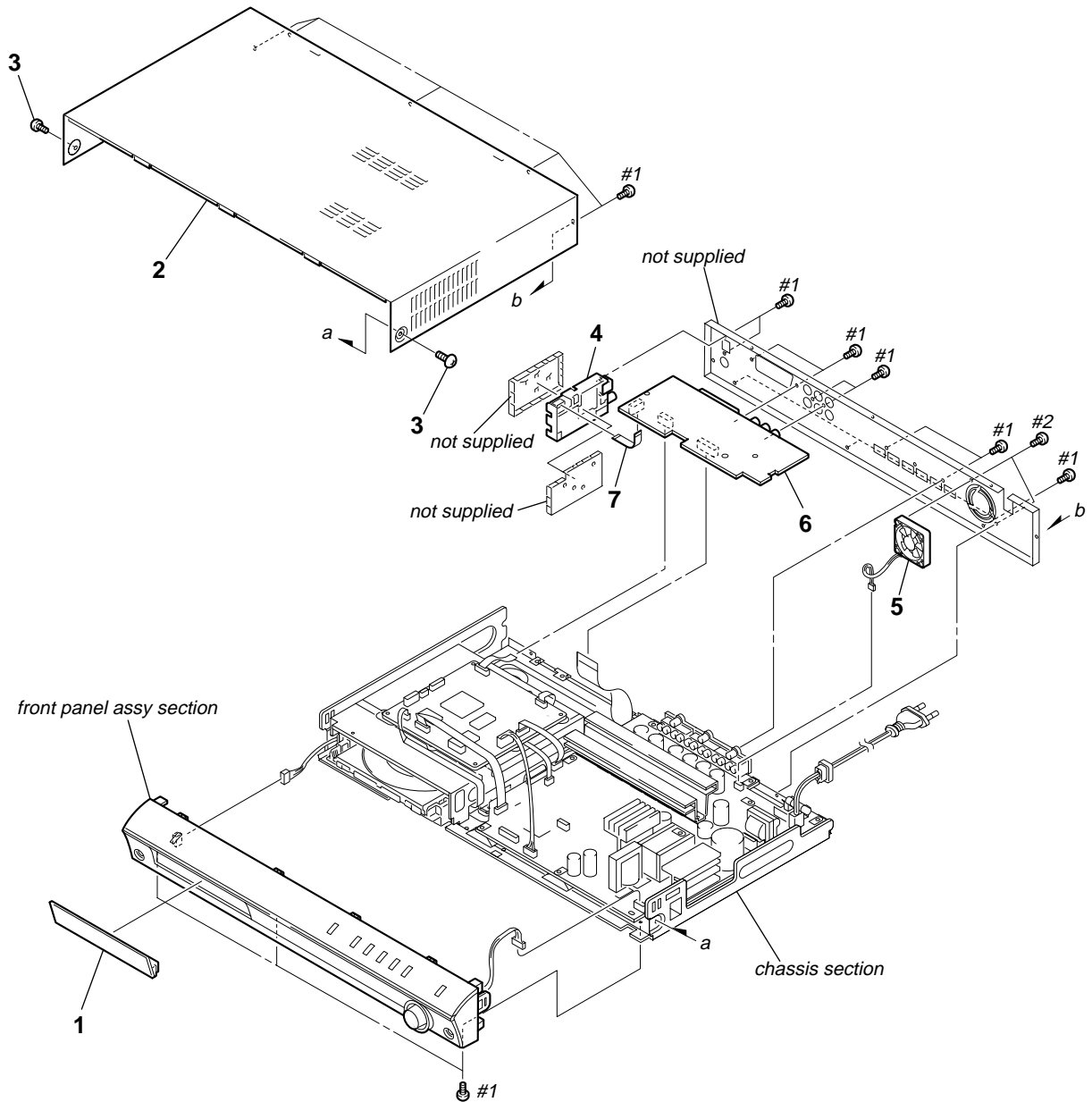
SECTION 6 EXPLODED VIEWS

NOTE:

- -XX and -X mean standardized parts, so they may have some difference from the original one.
- Items marked “*” are not stocked since they are seldom required for routine service. Some delay should be anticipated when ordering these items.
- The mechanical parts with no reference number in the exploded views are not supplied.
- Abbreviation
RU : Russian model.

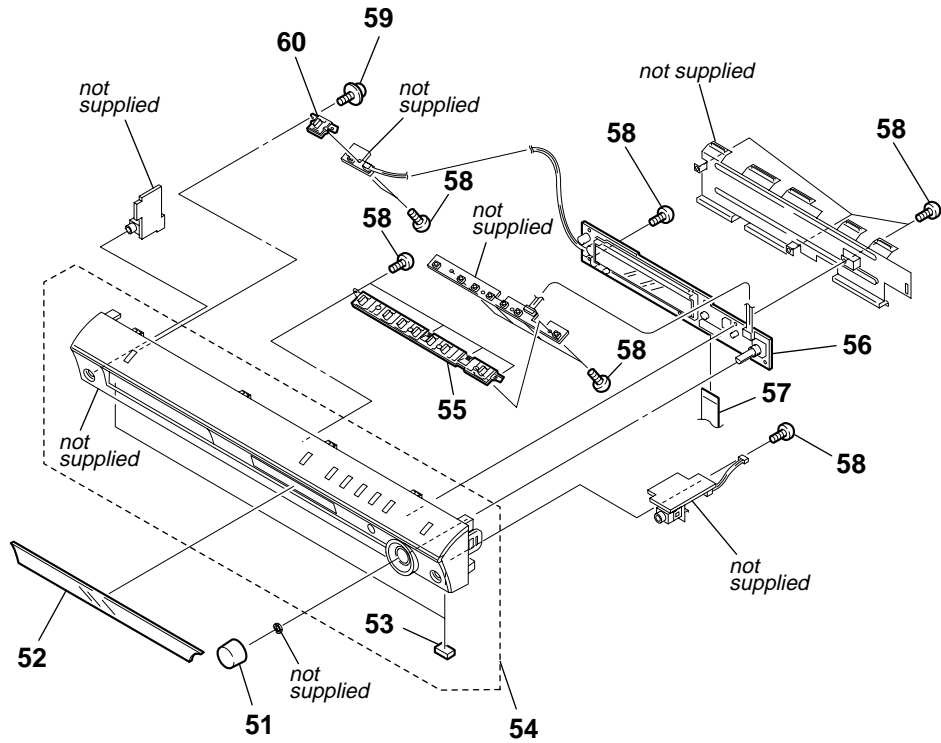
The components identified by mark Δ or dotted line with mark Δ are critical for safety. Replace only with part number specified.

6-1. OVERALL SECTION



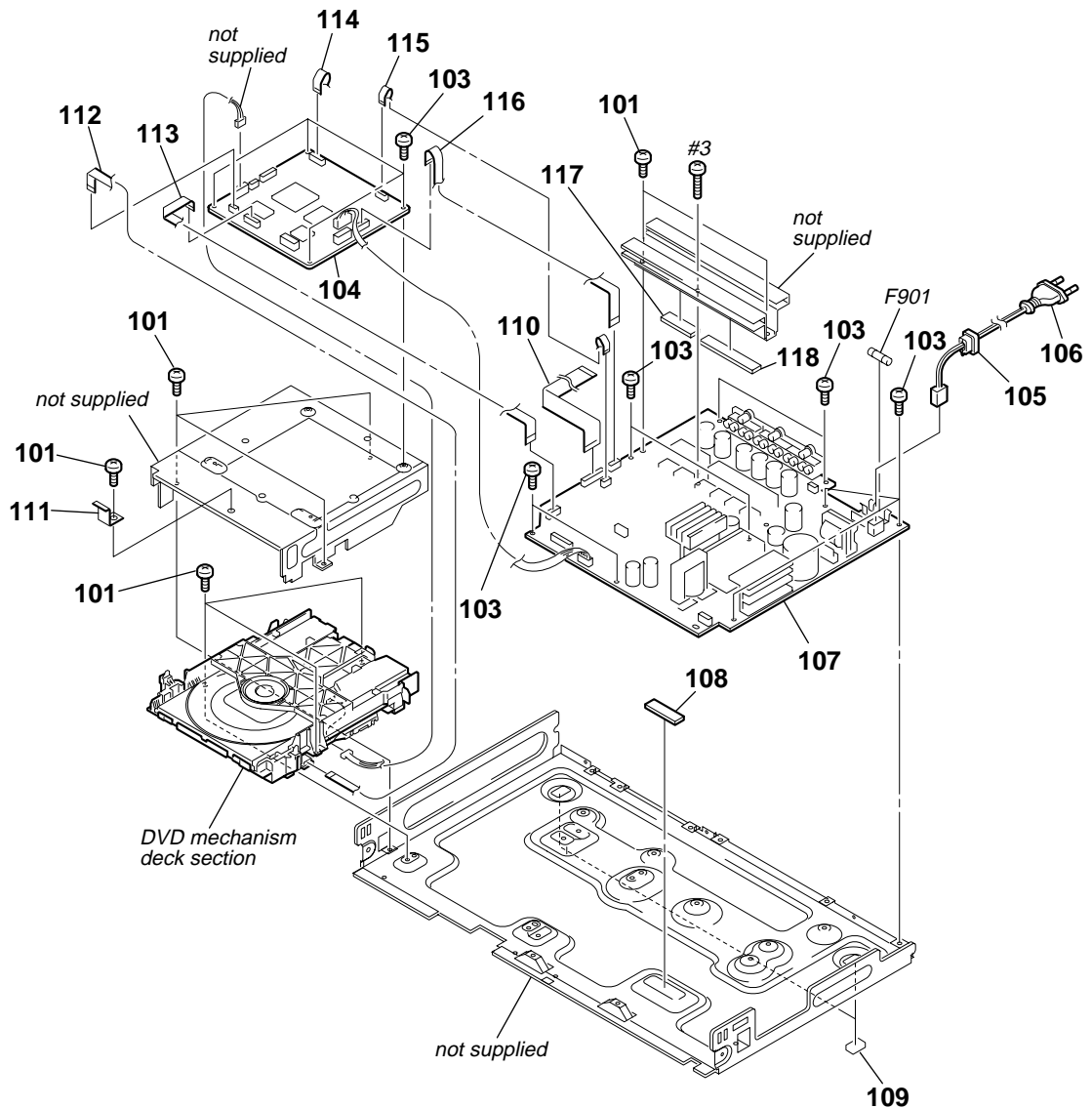
Ref. No.	Part No.	Description	Remark	Ref. No.	Part No.	Description	Remark
1	X-2025-254-1	DVD LID ASSY		6	A-1088-443-A	I/O BOARD, COMPLETE (EXCEPT RU)	
2	2-546-005-01	CASE		6	A-1114-235-A	I/O BOARD, COMPLETE (RU)	
3	3-363-099-51	SCREW (CASE 3 TP2)		7	1-828-952-11	WIRE (FLAT TYPE) (9 CORE)(RU)	
4	A-1074-634-A	TUNER UNIT (DTP-005) (EXCEPT RU)		7	1-828-962-11	WIRE (FLAT TYPE) (11 CORE)(EXCEPT RU)	
4	A-1074-643-A	TUNER UNIT (DTP-005) (RU)		#1	7-685-646-79	SCREW +BVTP 3X8 TYPE2 IT-3	
5	1-787-331-11	FAN, D.C.		#2	7-685-881-09	SCREW +BVTT 4X8 (S)	

6-2. FRONT PANEL ASSY SECTION



Ref. No.	Part No.	Description	Remark	Ref. No.	Part No.	Description	Remark
51	2-546-006-01	KNOB (VOL)		56	A-1088-414-A	FL BOARD, COMPLETE	
52	2-546-002-01	WINDOW (FL)		57	1-828-361-11	WIRE (FLAT TYPE) (19 CORE)	
53	4-244-969-01	FOOT		58	4-931-757-31	SCREW (DIA.2.6X8) (IT3B), TAPPING	
54	X-2025-170-1	FRONT PANEL ASSY (EXCEPT RU)		59	4-985-672-01	SCREW (+PTPWH M2.6), FLOATING	
54	X-2050-633-1	FRONT PANEL ASSY (RU)		60	2-546-003-01	BUTTON (POWER)	
55	2-546-004-01	BUTTON (PLAY)					

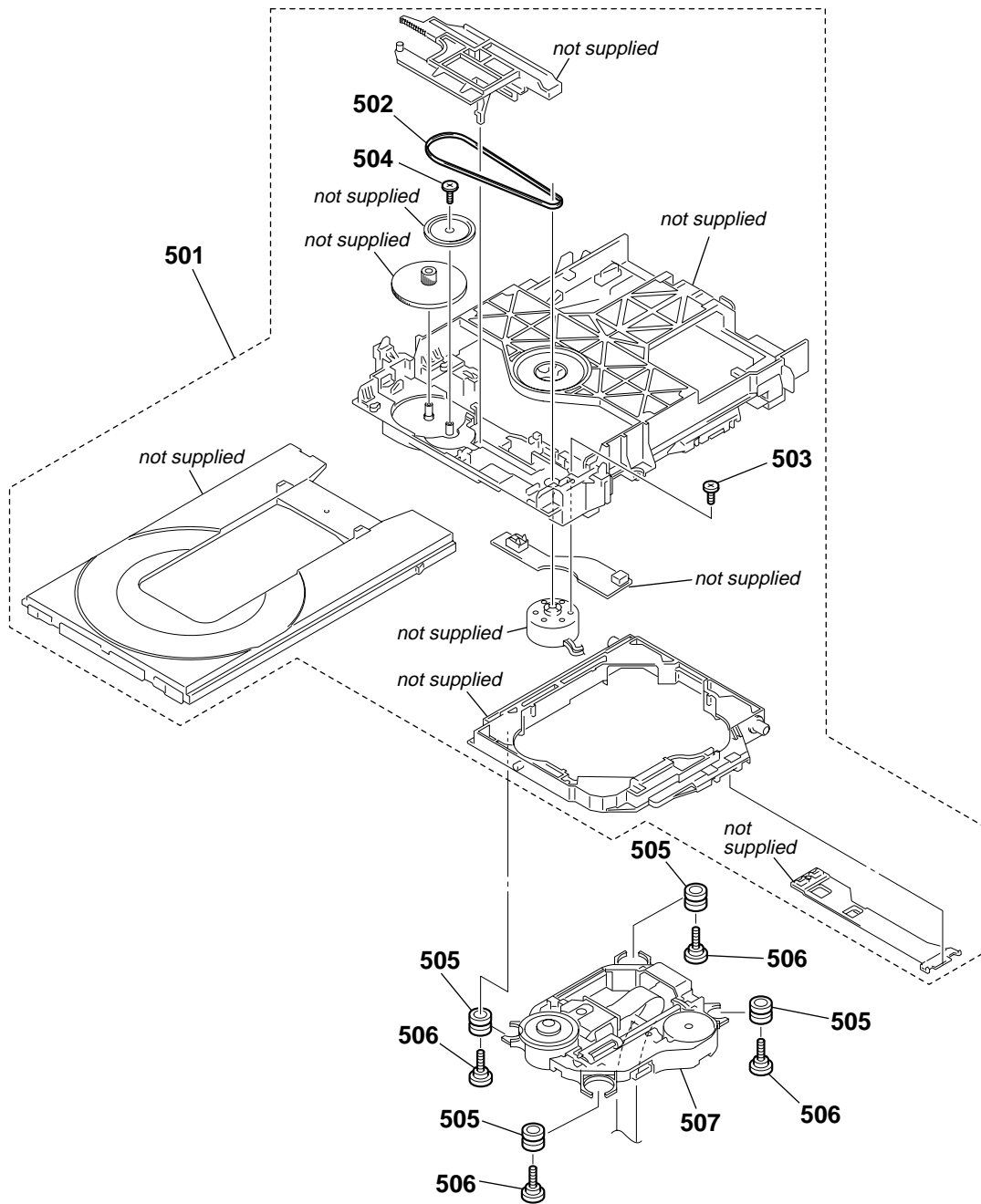
6-3. CHASSIS SECTION



Ref. No.	Part No.	Description	Remark	Ref. No.	Part No.	Description	Remark
101	3-077-331-01	+BV3 (3-CR)		* 111	3-233-819-01	BRACKET (PWB)	
103	3-077-331-21	+BV3 (3-CR)		112	1-830-549-11	WIRE (FLAT TYPE) (5 CORE)	
☆ 104	A-1108-644-A	DMB10 BOARD, COMPLETE		113	1-830-545-11	WIRE (FLAT TYPE) (11 CORE)	
105	4-217-350-11	STOPPER, CORD		114	1-830-548-11	WIRE (FLAT TYPE) (13 CORE)	
△ 106	1-828-528-11	CORD, POWER		115	1-830-547-11	WIRE (FLAT TYPE) (7 CORE)	
107	A-1121-242-A	MAIN BOARD, COMPLETE (EXCEPT RU)		116	1-830-546-11	WIRE (FLAT TYPE) (11 CORE)	
107	A-1121-387-A	MAIN BOARD, COMPLETE (RU)		117	2-597-972-01	SHEET, RADIATION	
108	4-254-954-01	SHEET (DMB), RADIATION		118	2-597-972-11	SHEET, RADIATION	
109	4-244-969-01	FOOT		△ F901	1-532-506-33	FUSE (T6.3AL/250V)	
110	1-830-464-11	WIRE (FLAT TYPE) (23 CORE)		#3	7-685-648-79	SCREW +BVTP 3X12 TYPE2 IT-3	

☆ New part of EEPROM (IC103) on the DMB10 board cannot be used. Therefore, if the mounted DMB10 board (A-1108-644-A) is replaced, exchange new EEPROM (IC103) with that used before the replacement.

6-4. DVD MECHANISM DECK SECTION



Ref. No.	Part No.	Description	Remark	Ref. No.	Part No.	Description	Remark
501	A-6071-669-A	LOADING ASSY (M)		505	3-088-372-01	INSULATOR	
502	3-088-371-01	BELT		506	3-087-599-01	INSULATOR SCREW	
503	4-974-725-11	SCREW (M1.7X2.5), P		△ 507	8-820-290-02	OPTICAL PICK-UP (KHM-310CAA/C2RP)	
504	4-674-137-11	SCREW (PTP2X5)					

SECTION 7 ELECTRICAL PARTS LIST

NOTE:

- Due to standardization, replacements in the parts list may be different from the parts specified in the diagrams or the components used on the set.
- -XX and -X mean standardized parts, so they may have some difference from the original one.
- Items marked "*" are not stocked since they are seldom required for routine service. Some delay should be anticipated when ordering these items.
- CAPACITORS
uF: μ F

- COILS
uH: μ H
- RESISTORS
All resistors are in ohms.
METAL: Metal-film resistor.
METAL OXIDE: Metal oxide-film resistor.
F: nonflammable
- SEMICONDUCTORS
In each case, u: μ , for example:
uA. . : μ A. ., uPA. . : μ PA. .,
uPB. . : μ PB. ., uPC. . : μ PC. .,
uPD. . : μ PD. .

When indicating parts by reference number, please include the board name.

The components identified by mark \triangle or dotted line with mark \triangle are critical for safety. Replace only with part number specified.

- Abbreviation
RU : Russian model.

Ref. No.	Part No.	Description	Remark	Ref. No.	Part No.	Description	Remark
☆	A-1108-644-A	DMB10 BOARD, COMPLETE *****		C149	1-107-826-11	CERAMIC CHIP 0.1uF 10%	16V
		< CAPACITOR >		C150	1-124-779-00	ELECT CHIP 10uF 20%	16V
C101	1-162-970-11	CERAMIC CHIP 0.01uF 10%	25V	C151	1-115-416-11	CERAMIC CHIP 0.001uF 5%	25V
C102	1-162-970-11	CERAMIC CHIP 0.01uF 10%	25V	C152	1-162-916-11	CERAMIC CHIP 12PF 5%	50V
C105	1-126-205-11	ELECT CHIP 47uF 20%	6.3V	C153	1-162-916-11	CERAMIC CHIP 12PF 5%	50V
C106	1-162-970-11	CERAMIC CHIP 0.01uF 10%	25V	C154	1-107-826-11	CERAMIC CHIP 0.1uF 10%	16V
C108	1-162-964-11	CERAMIC CHIP 0.001uF 10%	50V	C155	1-162-970-11	CERAMIC CHIP 0.01uF 10%	25V
C109	1-162-964-11	CERAMIC CHIP 0.001uF 10%	50V	C156	1-162-970-11	CERAMIC CHIP 0.01uF 10%	25V
C112	1-126-205-11	ELECT CHIP 47uF 20%	6.3V	C158	1-162-970-11	CERAMIC CHIP 0.01uF 10%	25V
C113	1-162-970-11	CERAMIC CHIP 0.01uF 10%	25V	C159	1-162-970-11	CERAMIC CHIP 0.01uF 10%	25V
C114	1-107-826-11	CERAMIC CHIP 0.1uF 10%	16V	C160	1-162-970-11	CERAMIC CHIP 0.01uF 10%	25V
C115	1-107-826-11	CERAMIC CHIP 0.1uF 10%	16V	C161	1-162-970-11	CERAMIC CHIP 0.01uF 10%	25V
C116	1-107-826-11	CERAMIC CHIP 0.1uF 10%	16V	C162	1-162-970-11	CERAMIC CHIP 0.01uF 10%	25V
C117	1-124-779-00	ELECT CHIP 10uF 20%	16V	C163	1-162-970-11	CERAMIC CHIP 0.01uF 10%	25V
C118	1-124-779-00	ELECT CHIP 10uF 20%	16V	C164	1-162-970-11	CERAMIC CHIP 0.01uF 10%	25V
C119	1-124-779-00	ELECT CHIP 10uF 20%	16V	C167	1-162-970-11	CERAMIC CHIP 0.01uF 10%	25V
C120	1-165-908-11	CERAMIC CHIP 1uF 10%	10V	C170	1-162-970-11	CERAMIC CHIP 0.01uF 10%	25V
C121	1-165-908-11	CERAMIC CHIP 1uF 10%	10V	C171	1-162-970-11	CERAMIC CHIP 0.01uF 10%	25V
C122	1-165-908-11	CERAMIC CHIP 1uF 10%	10V	C172	1-162-970-11	CERAMIC CHIP 0.01uF 10%	25V
C123	1-165-908-11	CERAMIC CHIP 1uF 10%	10V	C173	1-162-970-11	CERAMIC CHIP 0.01uF 10%	25V
C124	1-165-908-11	CERAMIC CHIP 1uF 10%	10V	C174	1-162-970-11	CERAMIC CHIP 0.01uF 10%	25V
C125	1-107-826-11	CERAMIC CHIP 0.1uF 10%	16V	C175	1-162-970-11	CERAMIC CHIP 0.01uF 10%	25V
C126	1-107-826-11	CERAMIC CHIP 0.1uF 10%	16V	C176	1-162-970-11	CERAMIC CHIP 0.01uF 10%	25V
C127	1-162-970-11	CERAMIC CHIP 0.01uF 10%	25V	C177	1-126-205-11	ELECT CHIP 47uF 20%	6.3V
C128	1-162-965-11	CERAMIC CHIP 0.0015uF 10%	50V	C178	1-126-208-21	ELECT CHIP 47uF 20%	4V
C129	1-124-779-00	ELECT CHIP 10uF 20%	16V	C179	1-107-826-11	CERAMIC CHIP 0.1uF 10%	16V
C130	1-107-826-11	CERAMIC CHIP 0.1uF 10%	16V	C180	1-107-826-11	CERAMIC CHIP 0.1uF 10%	16V
C131	1-125-838-11	CERAMIC CHIP 2.2uF 10%	6.3V	C181	1-107-826-11	CERAMIC CHIP 0.1uF 10%	16V
C132	1-107-826-11	CERAMIC CHIP 0.1uF 10%	16V	C182	1-127-715-91	CERAMIC CHIP 0.22uF 10%	16V
C133	1-107-826-11	CERAMIC CHIP 0.1uF 10%	16V	C184	1-162-970-11	CERAMIC CHIP 0.01uF 10%	25V
C135	1-164-677-11	CERAMIC CHIP 0.033uF 10%	16V	C187	1-126-208-21	ELECT CHIP 47uF 20%	4V
C136	1-162-970-11	CERAMIC CHIP 0.01uF 10%	25V	C188	1-127-715-91	CERAMIC CHIP 0.22uF 10%	16V
C137	1-107-826-11	CERAMIC CHIP 0.1uF 10%	16V	C189	1-128-934-91	CERAMIC CHIP 0.33uF 20%	10V
C138	1-162-964-11	CERAMIC CHIP 0.001uF 10%	50V	C190	1-126-205-11	ELECT CHIP 47uF 20%	6.3V
C139	1-162-919-11	CERAMIC CHIP 22PF 5%	50V	C191	1-107-826-11	CERAMIC CHIP 0.1uF 10%	16V
C140	1-107-826-11	CERAMIC CHIP 0.1uF 10%	16V	C192	1-162-970-11	CERAMIC CHIP 0.01uF 10%	25V
C141	1-107-826-11	CERAMIC CHIP 0.1uF 10%	16V	C193	1-127-715-91	CERAMIC CHIP 0.22uF 10%	16V
C142	1-107-826-11	CERAMIC CHIP 0.1uF 10%	16V	C195	1-127-715-91	CERAMIC CHIP 0.22uF 10%	16V
C143	1-107-826-11	CERAMIC CHIP 0.1uF 10%	16V	C196	1-162-968-11	CERAMIC CHIP 0.0047uF 10%	50V
C144	1-162-970-11	CERAMIC CHIP 0.01uF 10%	25V	C203	1-162-970-11	CERAMIC CHIP 0.01uF 10%	25V
C145	1-165-908-11	CERAMIC CHIP 1uF 10%	10V	C205	1-164-230-11	CERAMIC CHIP 220PF 5%	50V
C146	1-107-826-11	CERAMIC CHIP 0.1uF 10%	16V	C206	1-164-230-11	CERAMIC CHIP 220PF 5%	50V
C147	1-165-176-11	CERAMIC CHIP 0.047uF 10%	16V	C208	1-162-970-11	CERAMIC CHIP 0.01uF 10%	25V
C148	1-165-176-11	CERAMIC CHIP 0.047uF 10%	16V	C209	1-164-677-11	CERAMIC CHIP 0.033uF 10%	16V
				C210	1-162-970-11	CERAMIC CHIP 0.01uF 10%	25V
				C211	1-164-677-11	CERAMIC CHIP 0.033uF 10%	16V

☆ New part of EEP ROM (IC103) on the DMB10 board cannot be used. Therefore, if the mounted DMB10 board (A-1108-644-A) is replaced, exchange new EEP ROM (IC103) with that used before the replacement.

HCD-DZ500F

DMB10

Ref. No.	Part No.	Description	Remark	Ref. No.	Part No.	Description	Remark
C212	1-162-970-11	CERAMIC CHIP	0.01uF 10% 25V	FB403	1-469-324-21	FERRITE, EMI (SMD) (2012)	
C213	1-162-970-11	CERAMIC CHIP	0.01uF 10% 25V	FB404	1-469-324-21	FERRITE, EMI (SMD) (2012)	
C214	1-162-964-11	CERAMIC CHIP	0.001uF 10% 50V	FB405	1-469-324-21	FERRITE, EMI (SMD) (2012)	
C215	1-162-970-11	CERAMIC CHIP	0.01uF 10% 25V	FB406	1-469-324-21	FERRITE, EMI (SMD) (2012)	
C217	1-126-204-11	ELECT CHIP	47uF 20% 16V			< FILTER >	
C218	1-124-779-00	ELECT CHIP	10uF 20% 16V	FL101	1-234-494-21	FILTER, EMI REMOVAL (SMD)	
C219	1-162-970-11	CERAMIC CHIP	0.01uF 10% 25V	FL104	1-234-494-21	FILTER, EMI REMOVAL (SMD)	
C220	1-124-779-00	ELECT CHIP	10uF 20% 16V	FL105	1-234-494-21	FILTER, EMI REMOVAL (SMD)	
C221	1-107-826-11	CERAMIC CHIP	0.1uF 10% 16V	FL106	1-234-494-21	FILTER, EMI REMOVAL (SMD)	
C222	1-107-826-11	CERAMIC CHIP	0.1uF 10% 16V	FL107	1-234-494-21	FILTER, EMI REMOVAL (SMD)	
C223	1-107-826-11	CERAMIC CHIP	0.1uF 10% 16V	FL108	1-234-494-21	FILTER, EMI REMOVAL (SMD)	
C224	1-162-970-11	CERAMIC CHIP	0.01uF 10% 25V	FL401	1-234-494-21	FILTER, EMI REMOVAL (SMD)	
C225	1-162-964-11	CERAMIC CHIP	0.001uF 10% 50V	FL402	1-233-893-21	FILTER, CHIP EMI	
C226	1-162-964-11	CERAMIC CHIP	0.001uF 10% 50V	FL403	1-234-494-21	FILTER, EMI REMOVAL (SMD)	
C233	1-162-968-11	CERAMIC CHIP	0.0047uF 10% 50V	FL4501	1-234-494-21	FILTER, EMI REMOVAL (SMD)	
C402	1-126-204-11	ELECT CHIP	47uF 20% 16V			< IC >	
C403	1-126-205-11	ELECT CHIP	47uF 20% 6.3V	IC101	6-805-567-01	IC MBM29DL32TF70-OBA1-0502CE	
C3601	1-117-370-11	CERAMIC CHIP	10uF 10V	IC102	6-706-727-01	IC CXD9804R	
C3602	1-107-826-11	CERAMIC CHIP	0.1uF 10% 16V	☆ IC103	(Not supplied)	IC BR24L64F-WE2	
C3603	1-107-826-11	CERAMIC CHIP	0.1uF 10% 16V	IC104	6-706-390-11	IC HY57V641620HGTP-HDR	
C3605	1-126-205-11	ELECT CHIP	47uF 20% 6.3V	IC105	6-702-302-01	IC TK11133CSCL-G	
C3606	1-107-826-11	CERAMIC CHIP	0.1uF 10% 16V	IC106	8-759-667-18	IC PQ018EZ01ZPH	
C3607	1-107-826-11	CERAMIC CHIP	0.1uF 10% 16V	IC107	6-702-302-01	IC TK11133CSCL-G	
C3608	1-124-779-00	ELECT CHIP	10uF 20% 16V	IC201	6-704-524-01	IC FAN8036L	
C3609	1-124-779-00	ELECT CHIP	10uF 20% 16V	IC3601	6-707-608-01	IC PCM1803DBR	
C3610	1-107-826-11	CERAMIC CHIP	0.1uF 10% 16V	IC4501	8-759-573-97	IC SN74LVC541APWR	
C3611	1-162-970-11	CERAMIC CHIP	0.01uF 10% 25V	IC4502	6-703-589-01	IC SN74LVC1G125DCKR	
C3621	1-162-970-11	CERAMIC CHIP	0.01uF 10% 25V			< COIL >	
C4501	1-117-370-11	CERAMIC CHIP	10uF 10V	L3601	1-469-555-21	INDUCTOR 10uH	
C4502	1-162-970-11	CERAMIC CHIP	0.01uF 10% 25V	L3602	1-469-555-21	INDUCTOR 10uH	
C4504	1-162-970-11	CERAMIC CHIP	0.01uF 10% 25V			< TRANSISTOR >	
		< CONNECTOR >		Q101	6-550-008-01	TRANSISTOR UM6K1N-TN	
CN101	1-815-763-11	CONNECTOR, FFC/FPC 24P		Q102	6-550-653-01	TRANSISTOR QST8TR	
* CN105	1-770-470-21	PIN, CONNECTOR (PC BOARD) 6P		Q103	8-729-027-52	TRANSISTOR DTC124EKA-T146	
CN106	1-784-370-21	CONNECTOR, FFC/FPC 11P				< RESISTOR >	
* CN201	1-770-470-21	PIN, CONNECTOR (PC BOARD) 6P		R101	1-216-809-11	METAL CHIP 100 5% 1/10W	
CN202	1-784-365-21	CONNECTOR, FFC/FPC 5P		R104	1-216-864-11	SHORT CHIP 0	
CN301	1-793-989-21	FFC/CONNECTOR, FPC (LIF (NON-ZIF)) 13P		R105	1-216-833-11	METAL CHIP 10K 5% 1/10W	
CN302	1-784-366-21	CONNECTOR, FFC/FPC 7P		R106	1-216-833-11	METAL CHIP 10K 5% 1/10W	
CN401	1-779-993-11	PIN, CONNECTOR (PWB) 5P		R107	1-216-833-11	METAL CHIP 10K 5% 1/10W	
CN4501	1-784-370-21	CONNECTOR, FFC/FPC 11P		R108	1-216-857-11	METAL CHIP 1M 5% 1/10W	
		< DIODE >		R109	1-216-864-11	SHORT CHIP 0	
D1001	8-719-058-24	DIODE RB501V-40TE-17		R110	1-216-841-11	METAL CHIP 47K 5% 1/10W	
D3501	8-719-988-61	DIODE 1SS355TE-17		R111	1-216-809-11	METAL CHIP 100 5% 1/10W	
D3502	8-719-988-61	DIODE 1SS355TE-17		R112	1-211-977-11	METAL CHIP 22 0.5% 1/10W	
D3601	8-719-988-61	DIODE 1SS355TE-17		R113	1-211-977-11	METAL CHIP 22 0.5% 1/10W	
D3602	8-719-988-61	DIODE 1SS355TE-17		R114	1-216-845-11	METAL CHIP 100K 5% 1/10W	
		< FERRITE BEAD >		R115	1-211-977-11	METAL CHIP 22 0.5% 1/10W	
FB111	1-414-226-21	INDUCTOR, FERRITE BEAD		R116	1-216-821-11	METAL CHIP 1K 5% 1/10W	
FB112	1-414-226-21	INDUCTOR, FERRITE BEAD		R117	1-216-841-11	METAL CHIP 47K 5% 1/10W	
FB113	1-414-226-21	INDUCTOR, FERRITE BEAD		R118	1-216-801-11	METAL CHIP 22 5% 1/10W	
FB114	1-414-226-21	INDUCTOR, FERRITE BEAD		R120	1-216-801-11	METAL CHIP 22 5% 1/10W	
FB115	1-414-226-21	INDUCTOR, FERRITE BEAD					
FB401	1-469-324-21	FERRITE, EMI (SMD) (2012)					
FB402	1-469-324-21	FERRITE, EMI (SMD) (2012)					

☆ New part of EEP ROM (IC103) on the DMB10 board cannot be used. Therefore, if the mounted DMB10 board (A-1108-644-A) is replaced, exchange new EEP ROM (IC103) with that used before the replacement.

Ref. No.	Part No.	Description			Remark	Ref. No.	Part No.	Description			Remark
R121	1-216-801-11	METAL CHIP	22	5%	1/10W						
R123	1-216-864-11	SHORT CHIP	0			R234	1-216-833-11	METAL CHIP	10K	5%	1/10W
R124	1-216-841-11	METAL CHIP	47K	5%	1/10W	R236	1-216-821-11	METAL CHIP	1K	5%	1/10W
						R237	1-216-821-11	METAL CHIP	1K	5%	1/10W
R126	1-216-864-11	SHORT CHIP	0			R238	1-216-829-11	METAL CHIP	4.7K	5%	1/10W
R127	1-216-809-11	METAL CHIP	100	5%	1/10W	R239	1-216-829-11	METAL CHIP	4.7K	5%	1/10W
R133	1-216-827-11	METAL CHIP	3.3K	5%	1/10W						
R134	1-216-827-11	METAL CHIP	3.3K	5%	1/10W	R243	1-216-809-11	METAL CHIP	100	5%	1/10W
R135	1-216-827-11	METAL CHIP	3.3K	5%	1/10W	R246	1-216-829-11	METAL CHIP	4.7K	5%	1/10W
						R247	1-216-821-11	METAL CHIP	1K	5%	1/10W
R136	1-216-835-11	METAL CHIP	15K	5%	1/10W	R308	1-216-864-11	SHORT CHIP	0		
R138	1-216-845-11	METAL CHIP	100K	5%	1/10W	R1101	1-216-825-11	METAL CHIP	2.2K	5%	1/10W
R141	1-218-916-11	METAL CHIP	750K	0.5%	1/10W						
R142	1-216-845-11	METAL CHIP	100K	5%	1/10W	R1102	1-218-827-11	METAL CHIP	150	0.5%	1/10W
R143	1-216-809-11	METAL CHIP	100	5%	1/10W	R1103	1-216-833-11	METAL CHIP	10K	5%	1/10W
						R1104	1-216-833-11	METAL CHIP	10K	5%	1/10W
R144	1-216-864-11	SHORT CHIP	0			R1105	1-216-833-11	METAL CHIP	10K	5%	1/10W
R146	1-216-805-11	METAL CHIP	47	5%	1/10W	R1107	1-216-864-11	SHORT CHIP	0		
R151	1-216-805-11	METAL CHIP	47	5%	1/10W						
R152	1-216-864-11	SHORT CHIP	0			R1108	1-216-833-11	METAL CHIP	10K	5%	1/10W
R153	1-216-805-11	METAL CHIP	47	5%	1/10W	R1109	1-216-864-11	SHORT CHIP	0		
						R1110	1-216-826-11	METAL CHIP	2.7K	5%	1/10W
R155	1-216-805-11	METAL CHIP	47	5%	1/10W	R1111	1-216-809-11	METAL CHIP	100	5%	1/10W
R160	1-216-805-11	METAL CHIP	47	5%	1/10W	R1120	1-500-284-21	INDUCTOR, FERRITE BEAD			
R161	1-216-809-11	METAL CHIP	100	5%	1/10W						
R164	1-216-809-11	METAL CHIP	100	5%	1/10W	R1121	1-500-284-21	INDUCTOR, FERRITE BEAD			
R169	1-216-833-11	METAL CHIP	10K	5%	1/10W	R1122	1-500-284-21	INDUCTOR, FERRITE BEAD			
						R1123	1-500-284-21	INDUCTOR, FERRITE BEAD			
R187	1-216-864-11	SHORT CHIP	0			R1124	1-500-284-21	INDUCTOR, FERRITE BEAD			
R189	1-218-827-11	METAL CHIP	150	0.5%	1/10W	R1125	1-500-284-21	INDUCTOR, FERRITE BEAD			
R190	1-218-827-11	METAL CHIP	150	0.5%	1/10W						
R191	1-216-821-11	METAL CHIP	1K	5%	1/10W	R1129	1-216-845-11	METAL CHIP	100K	5%	1/10W
R192	1-218-827-11	METAL CHIP	150	0.5%	1/10W	R1133	1-216-864-11	SHORT CHIP	0		
						R1134	1-216-864-11	SHORT CHIP	0		
R193	1-216-821-11	METAL CHIP	1K	5%	1/10W	R1150	1-216-827-11	METAL CHIP	3.3K	5%	1/10W
R195	1-218-827-11	METAL CHIP	150	0.5%	1/10W	R1151	1-216-827-11	METAL CHIP	3.3K	5%	1/10W
R196	1-216-864-11	SHORT CHIP	0								
R197	1-218-827-11	METAL CHIP	150	0.5%	1/10W	R1152	1-216-827-11	METAL CHIP	3.3K	5%	1/10W
R204	1-216-822-11	METAL CHIP	1.2K	5%	1/10W	R1168	1-216-817-11	METAL CHIP	470	5%	1/10W
						R1502	1-216-864-11	SHORT CHIP	0		
R205	1-216-833-11	METAL CHIP	10K	5%	1/10W	R1504	1-400-244-11	BEAD, FERRITE (CHIP) (1608)			
R206	1-216-833-11	METAL CHIP	10K	5%	1/10W	R1527	1-216-864-11	SHORT CHIP	0		
R207	1-216-826-11	METAL CHIP	2.7K	5%	1/10W						
R208	1-216-839-11	METAL CHIP	33K	5%	1/10W	R1530	1-216-864-11	SHORT CHIP	0		
R209	1-216-839-11	METAL CHIP	33K	5%	1/10W	R1531	1-216-864-11	SHORT CHIP	0		
						R1540	1-216-829-11	METAL CHIP	4.7K	5%	1/10W
R210	1-216-841-11	METAL CHIP	47K	5%	1/10W	R1542	1-216-864-11	SHORT CHIP	0		
R212	1-216-833-11	METAL CHIP	10K	5%	1/10W	R1543	1-216-833-11	METAL CHIP	10K	5%	1/10W
R213	1-218-867-11	METAL CHIP	6.8K	0.5%	1/10W						
R214	1-216-835-11	METAL CHIP	15K	5%	1/10W	R1545	1-216-864-11	SHORT CHIP	0		
R215	1-216-834-11	METAL CHIP	12K	5%	1/10W	R1546	1-216-827-11	METAL CHIP	3.3K	5%	1/10W
						R1547	1-216-829-11	METAL CHIP	4.7K	5%	1/10W
R216	1-216-834-11	METAL CHIP	12K	5%	1/10W	R1548	1-216-829-11	METAL CHIP	4.7K	5%	1/10W
R219	1-216-838-11	METAL CHIP	27K	5%	1/10W	R1549	1-216-829-11	METAL CHIP	4.7K	5%	1/10W
R220	1-216-833-11	METAL CHIP	10K	5%	1/10W						
R221	1-218-889-11	METAL CHIP	56K	0.5%	1/10W	R1550	1-216-829-11	METAL CHIP	4.7K	5%	1/10W
R222	1-216-839-11	METAL CHIP	33K	5%	1/10W	R1551	1-216-829-11	METAL CHIP	4.7K	5%	1/10W
						R1553	1-216-864-11	SHORT CHIP	0		
R223	1-218-895-11	METAL CHIP	100K	0.5%	1/10W	R1554	1-216-829-11	METAL CHIP	4.7K	5%	1/10W
R224	1-216-833-11	METAL CHIP	10K	5%	1/10W	R1555	1-216-829-11	METAL CHIP	4.7K	5%	1/10W
R225	1-218-895-11	METAL CHIP	100K	0.5%	1/10W						
R226	1-218-889-11	METAL CHIP	56K	0.5%	1/10W	R1557	1-216-809-11	METAL CHIP	100	5%	1/10W
R227	1-216-864-11	SHORT CHIP	0			R2505	1-216-864-11	SHORT CHIP	0		
						R3601	1-216-809-11	METAL CHIP	100	5%	1/10W
R228	1-216-864-11	SHORT CHIP	0			R3602	1-216-809-11	METAL CHIP	100	5%	1/10W
R230	1-218-893-11	METAL CHIP	82K	0.5%	1/10W	R3603	1-216-833-11	METAL CHIP	10K	5%	1/10W
R231	1-218-875-11	METAL CHIP	15K	0.5%	1/10W						
R232	1-218-877-11	METAL CHIP	18K	0.5%	1/10W	R3605	1-216-864-11	SHORT CHIP	0		
R233	1-218-883-11	METAL CHIP	33K	0.5%	1/10W	R3606	1-216-864-11	SHORT CHIP	0		

HCD-DZ500F

DMB10 **FL**

Ref. No.	Part No.	Description	Remark		
R3607	1-216-864-11	SHORT CHIP	0		
R3609	1-216-864-11	SHORT CHIP	0		
R3611	1-216-809-11	METAL CHIP	100	5%	1/10W
R3621	1-216-809-11	METAL CHIP	100	5%	1/10W
R4501	1-216-864-11	SHORT CHIP	0		
R4502	1-216-864-11	SHORT CHIP	0		
R4510	1-216-805-11	METAL CHIP	47	5%	1/10W
R4511	1-216-809-11	METAL CHIP	100	5%	1/10W
R4512	1-400-244-11	BEAD, FERRITE (CHIP) (1608)			
R4513	1-216-864-11	SHORT CHIP	0		
R4514	1-216-864-11	SHORT CHIP	0		
R4515	1-216-864-11	SHORT CHIP	0		
R4516	1-216-864-11	SHORT CHIP	0		
R4518	1-216-864-11	SHORT CHIP	0		
R4520	1-216-864-11	SHORT CHIP	0		
R4701	1-216-864-11	SHORT CHIP	0		
R4702	1-216-864-11	SHORT CHIP	0		
R4703	1-216-864-11	SHORT CHIP	0		
R4704	1-216-864-11	SHORT CHIP	0		
R4705	1-216-864-11	SHORT CHIP	0		
R4706	1-216-864-11	SHORT CHIP	0		
< COMPOSITION CIRCUIT BLOCK >					
RB103	1-234-795-21	RES, NETWORK 0X4 (2010)			
RB104	1-234-795-21	RES, NETWORK 0X4 (2010)			
RB105	1-234-371-21	RES, NETWORK 47 (1005X4)			
RB106	1-234-371-21	RES, NETWORK 47 (1005X4)			
RB107	1-234-370-21	RES, NETWORK 22 (1005X4)			
RB108	1-234-370-21	RES, NETWORK 22 (1005X4)			
RB111	1-234-795-21	RES, NETWORK 0X4 (2010)			
RB112	1-234-370-21	RES, NETWORK 22 (1005X4)			
RB113	1-234-370-21	RES, NETWORK 22 (1005X4)			
< VIBRATOR >					
X101	1-781-867-21	VIBRATOR, CRYSTAL (27MHz)			

A-1088-414-A	FL BOARD, COMPLETE				

< CAPACITOR >					
C800	1-162-968-11	CERAMIC CHIP	0.0047uF	10%	50V
C801	1-163-037-11	CERAMIC CHIP	0.022uF	10%	50V
C802	1-119-943-91	ELECT	47uF	20%	50V
C803	1-124-584-00	ELECT	100uF	20%	10V
C804	1-162-974-11	CERAMIC CHIP	0.01uF		50V
C805	1-164-360-11	CERAMIC CHIP	0.1uF		16V
C806	1-162-927-11	CERAMIC CHIP	100PF	5%	50V
C807	1-162-927-11	CERAMIC CHIP	100PF	5%	50V
C808	1-162-927-11	CERAMIC CHIP	100PF	5%	50V
C809	1-126-795-11	ELECT	10uF	20%	50V
C810	1-164-360-11	CERAMIC CHIP	0.1uF		16V
C811	1-162-970-11	CERAMIC CHIP	0.01uF	10%	25V
C812	1-162-960-11	CERAMIC CHIP	220PF	10%	50V
C813	1-162-960-11	CERAMIC CHIP	220PF	10%	50V
C814	1-126-795-11	ELECT	10uF	20%	50V
C815	1-162-960-11	CERAMIC CHIP	220PF	10%	50V
C816	1-162-960-11	CERAMIC CHIP	220PF	10%	50V

Ref. No.	Part No.	Description	Remark		
C817	1-162-960-11	CERAMIC CHIP	220PF	10%	50V
C818	1-162-960-11	CERAMIC CHIP	220PF	10%	50V
C819	1-162-970-11	CERAMIC CHIP	0.01uF	10%	25V
C820	1-162-970-11	CERAMIC CHIP	0.01uF	10%	25V
C821	1-162-960-11	CERAMIC CHIP	220PF	10%	50V
C822	1-162-960-11	CERAMIC CHIP	220PF	10%	50V
C823	1-162-960-11	CERAMIC CHIP	220PF	10%	50V
C824	1-162-974-11	CERAMIC CHIP	0.01uF		50V
C825	1-162-960-11	CERAMIC CHIP	220PF	10%	50V
C826	1-162-960-11	CERAMIC CHIP	220PF	10%	50V
< CONNECTOR >					
CN801	1-779-556-21	CONNECTOR, FFC (LIF (NON-ZIF)) 19P			
* CN805	1-568-942-11	PIN, CONNECTOR 4P			
< DIODE >					
D801	8-719-988-61	DIODE 1SS355TE-17			
D802	8-719-988-61	DIODE 1SS355TE-17			
D803	8-719-069-56	DIODE UDZSTE-176.2B			
D804	8-719-988-61	DIODE 1SS355TE-17			
D805	8-719-988-61	DIODE 1SS355TE-17			
< FERRITE BEAD >					
FB806	1-414-813-11	FERRITE, EMI (SMD) (2012)			
< FLUORESCENT INDICATOR >					
FL801	1-519-792-11	INDICATOR TUBE, FLUORESCENT			
< IC >					
IC801	6-600-349-21	IC NJL23H400A (R)			
IC802	8-759-643-83	IC uPD16315GB-3BS			
< COIL >					
L801	1-410-671-31	INDUCTOR	47uH		
L802	1-410-671-31	INDUCTOR	47uH		
< TRANSISTOR >					
Q801	6-550-065-01	TRANSISTOR	CPH5504-TL-E		
Q802	8-729-120-28	TRANSISTOR	2SC1623-L5L6		
< RESISTOR >					
R800	1-216-821-11	METAL CHIP	1K	5%	1/10W
R801	1-216-839-11	METAL CHIP	33K	5%	1/10W
R802	1-216-809-11	METAL CHIP	100	5%	1/10W
R804	1-216-828-11	METAL CHIP	3.9K	5%	1/10W
R805	1-216-295-91	SHORT CHIP	0		
R810	1-216-864-11	SHORT CHIP	0		
R811	1-216-844-11	METAL CHIP	82K	5%	1/10W
R812	1-216-845-11	METAL CHIP	100K	5%	1/10W
R813	1-216-845-11	METAL CHIP	100K	5%	1/10W
R814	1-216-809-11	METAL CHIP	100	5%	1/10W
R815	1-216-809-11	METAL CHIP	100	5%	1/10W
R816	1-216-809-11	METAL CHIP	100	5%	1/10W
R817	1-216-821-11	METAL CHIP	1K	5%	1/10W
R819	1-216-805-11	METAL CHIP	47	5%	1/10W
R820	1-216-845-11	METAL CHIP	100K	5%	1/10W

Ref. No.	Part No.	Description	Remark	Ref. No.	Part No.	Description	Remark
R821	1-216-864-11	SHORT CHIP	0	A-1088-443-A	I/O BOARD, COMPLETE (EXCEPT RU)		
R822	1-216-864-11	SHORT CHIP	0	A-1114-235-A	I/O BOARD, COMPLETE (RU)		
		< SWITCH >			*****		
S800	1-418-632-11	ENCODER, ROTARY (VOLUME)			< CAPACITOR >		
		< TRANSFORMER >		C102	1-126-933-11	ELECT	100uF 20% 16V
T801	1-443-645-11	TRANSFORMER, DC CONVERTER		C103	1-104-662-91	ELECT	22uF 20% 25V
		*****		C104	1-104-662-91	ELECT	22uF 20% 25V
		H/P BOARD		C105	1-162-964-11	CERAMIC CHIP	0.001uF 10% 50V
		*****					(RU)
		< CAPACITOR >		C109	1-164-156-11	CERAMIC CHIP	0.1uF 25V
C881	1-162-962-11	CERAMIC CHIP	470PF 10% 50V	C201	1-164-156-11	CERAMIC CHIP	0.1uF 25V
C882	1-162-962-11	CERAMIC CHIP	470PF 10% 50V	C202	1-126-933-11	ELECT	100uF 20% 16V
C883	1-162-970-11	CERAMIC CHIP	0.01uF 10% 25V	C203	1-126-933-11	ELECT	100uF 20% 16V
C884	1-162-970-11	CERAMIC CHIP	0.01uF 10% 25V	C204	1-126-964-11	ELECT	10uF 20% 50V
C885	1-164-360-11	CERAMIC CHIP	0.1uF 16V	C206	1-126-964-11	ELECT	10uF 20% 50V
		< DIODE >		C209	1-164-156-11	CERAMIC CHIP	0.1uF 25V
D821	8-719-988-61	DIODE 1SS355TE-17		C210	1-126-925-91	ELECT	470uF 20% 10V
D822	8-719-988-61	DIODE 1SS355TE-17		C211	1-126-964-11	ELECT	10uF 20% 50V
		< FERRITE BEAD >		C212	1-162-922-11	CERAMIC CHIP	39PF 5% 50V
FB811	1-469-144-21	FERRITE, EMI (SMD) (2012)		C213	1-126-933-11	ELECT	100uF 20% 16V
FB812	1-216-864-11	SHORT CHIP	0	C214	1-164-156-11	CERAMIC CHIP	0.1uF 25V
FB813	1-469-144-21	FERRITE, EMI (SMD) (2012)		C215	1-115-156-11	CERAMIC CHIP	1uF 10V
FB814	1-216-295-91	SHORT CHIP	0	C216	1-115-156-11	CERAMIC CHIP	1uF 10V
		< JACK >		C218	1-115-156-11	CERAMIC CHIP	1uF 10V
J801	1-566-891-21	JACK (PHONES)		C219	1-164-156-11	CERAMIC CHIP	0.1uF 25V
		< COIL >		C220	1-126-933-11	ELECT	100uF 20% 16V
L811	1-216-864-11	SHORT CHIP	0	C221	1-164-156-11	CERAMIC CHIP	0.1uF 25V
L812	1-469-144-21	FERRITE, EMI (SMD) (2012)		C222	1-126-933-11	ELECT	100uF 20% 16V
L813	1-216-864-11	SHORT CHIP	0	C225	1-126-916-11	ELECT	1000uF 20% 6.3V
L814	1-469-144-21	FERRITE, EMI (SMD) (2012)		C226	1-126-916-11	ELECT	1000uF 20% 6.3V
		< TRANSISTOR >		C227	1-126-933-11	ELECT	100uF 20% 16V
Q806	6-550-889-01	TRANSISTOR 2SC5938-T112-1B		C228	1-126-933-11	ELECT	100uF 20% 16V
Q807	6-550-889-01	TRANSISTOR 2SC5938-T112-1B		C231	1-126-916-11	ELECT	1000uF 20% 6.3V
Q808	6-550-889-01	TRANSISTOR 2SC5938-T112-1B		C232	1-126-916-11	ELECT	1000uF 20% 6.3V
Q809	6-550-889-01	TRANSISTOR 2SC5938-T112-1B		C233	1-115-156-11	CERAMIC CHIP	1uF 10V
		< RESISTOR >		C234	1-115-156-11	CERAMIC CHIP	1uF 10V
R861	1-216-829-11	METAL CHIP	4.7K 5% 1/10W	C235	1-126-916-11	ELECT	1000uF 20% 6.3V
R862	1-216-829-11	METAL CHIP	4.7K 5% 1/10W	C236	1-115-156-11	CERAMIC CHIP	1uF 10V
R863	1-216-801-11	METAL CHIP	22 5% 1/10W	C238	1-162-964-11	CERAMIC CHIP	0.001uF 10% 50V
R864	1-216-801-11	METAL CHIP	22 5% 1/10W	C239	1-162-964-11	CERAMIC CHIP	0.001uF 10% 50V
R865	1-216-805-11	METAL CHIP	47 5% 1/10W	C246	1-164-156-11	CERAMIC CHIP	0.1uF 25V
R866	1-216-805-11	METAL CHIP	47 5% 1/10W	C603	1-126-933-11	ELECT	100uF 20% 16V
R867	1-216-829-11	METAL CHIP	4.7K 5% 1/10W	C604	1-164-156-11	CERAMIC CHIP	0.1uF 25V
R868	1-216-829-11	METAL CHIP	4.7K 5% 1/10W	C606	1-164-156-11	CERAMIC CHIP	0.1uF 25V
R869	1-216-829-11	METAL CHIP	4.7K 5% 1/10W	C607	1-104-662-91	ELECT	22uF 20% 25V
R870	1-216-829-11	METAL CHIP	4.7K 5% 1/10W	C608	1-126-933-11	ELECT	100uF 20% 16V
		*****		C609	1-164-156-11	CERAMIC CHIP	0.1uF 25V
				C610	1-104-662-91	ELECT	22uF 20% 25V
				C611	1-104-662-91	ELECT	22uF 20% 25V
				C612	1-104-662-91	ELECT	22uF 20% 25V
				C615	1-104-662-91	ELECT	22uF 20% 25V
				C616	1-104-662-91	ELECT	22uF 20% 25V
				C617	1-104-662-91	ELECT	22uF 20% 25V
				C618	1-104-662-91	ELECT	22uF 20% 25V
				C619	1-104-662-91	ELECT	22uF 20% 25V
				C620	1-104-662-91	ELECT	22uF 20% 25V
				C621	1-162-960-11	CERAMIC CHIP	220PF 10% 50V

HCD-DZ500F

I/O

Ref. No.	Part No.	Description	Remark	Ref. No.	Part No.	Description	Remark
C622	1-162-960-11	CERAMIC CHIP 220PF 10%	50V	R105	1-216-833-11	METAL CHIP 10K 5%	1/10W (EXCEPT RU)
C625	1-162-960-11	CERAMIC CHIP 220PF 10%	50V	R105	1-216-845-11	METAL CHIP 100K 5%	1/10W (RU)
C626	1-162-960-11	CERAMIC CHIP 220PF 10%	50V	R109	1-216-864-11	SHORT CHIP 0	
C629	1-126-960-11	ELECT 1uF 20%	50V	R114	1-216-864-11	SHORT CHIP 0	
C630	1-126-960-11	ELECT 1uF 20%	50V	R115	1-216-833-11	METAL CHIP 10K 5%	1/10W (EXCEPT RU)
C632	1-104-662-91	ELECT 22uF 20%	25V	R115	1-216-845-11	METAL CHIP 100K 5%	1/10W (RU)
C633	1-162-964-11	CERAMIC CHIP 0.001uF 10%	50V	R116	1-216-833-11	METAL CHIP 10K 5%	1/10W (EXCEPT RU)
C634	1-162-964-11	CERAMIC CHIP 0.001uF 10%	50V	R116	1-216-845-11	METAL CHIP 100K 5%	1/10W (RU)
< CONNECTOR >				R117	1-216-833-11	METAL CHIP 10K 5%	1/10W (EXCEPT RU)
CN101	1-568-828-11	CONNECTOR, FFC 9P (RU)		R117	1-216-845-11	METAL CHIP 100K 5%	1/10W (RU)
CN101	1-816-955-11	CONNECTOR, FFC/FPC 11P (EXCEPT RU)		R201	1-216-821-11	METAL CHIP 1K 5%	1/10W
CN201	1-779-281-11	CONNECTOR, FFC (LIF (NON-ZIF)) 13P		R202	1-216-821-11	METAL CHIP 1K 5%	1/10W
CN601	1-779-291-11	CONNECTOR, FFC (LIF (NON-ZIF)) 23P		R203	1-216-864-11	SHORT CHIP 0	
* CN602	1-568-942-11	PIN, CONNECTOR 4P		R204	1-216-821-11	METAL CHIP 1K 5%	1/10W
< DIODE >				R205	1-216-864-11	SHORT CHIP 0	
D201	8-719-988-61	DIODE 1SS355TE-17		R206	1-216-864-11	SHORT CHIP 0	
D202	8-719-988-61	DIODE 1SS355TE-17		R208	1-216-841-11	METAL CHIP 47K 5%	1/10W
D203	8-719-988-61	DIODE 1SS355TE-17		R210	1-216-849-11	METAL CHIP 220K 5%	1/10W
D206	8-719-988-61	DIODE 1SS355TE-17		R211	1-216-825-11	METAL CHIP 2.2K 5%	1/10W
< IC >				R212	1-216-825-11	METAL CHIP 2.2K 5%	1/10W
IC201	6-707-489-01	IC BH7868FS-E2		R213	1-216-825-11	METAL CHIP 2.2K 5%	1/10W
IC202	6-707-489-01	IC BH7868FS-E2		R214	1-216-821-11	METAL CHIP 1K 5%	1/10W
IC203	8-759-696-10	IC NJM2235V (TE2)		R215	1-216-837-11	METAL CHIP 22K 5%	1/10W
IC602	8-759-385-76	IC MC14052 BDR2		R216	1-216-815-11	METAL CHIP 330 5%	1/10W
IC603	8-759-649-89	IC MC4558CD		R217	1-216-815-11	METAL CHIP 330 5%	1/10W
< JACK >				R218	1-216-815-11	METAL CHIP 330 5%	1/10W
J202	1-815-911-11	CONNECTOR, SQUARE TYPE 21P (EURO AV)		R219	1-216-815-11	METAL CHIP 330 5%	1/10W
J203	1-819-063-11	JACK, PIN (6P) (SAT/COMPONENT VIDEO OUT)		R220	1-216-829-11	METAL CHIP 4.7K 5%	1/10W
< COIL >				R221	1-218-285-11	METAL CHIP 75 5%	1/10W
L101	1-469-525-91	INDUCTOR 10uH		R225	1-216-864-11	SHORT CHIP 0	
L201	1-469-525-91	INDUCTOR 10uH		R226	1-216-864-11	SHORT CHIP 0	
L202	1-469-525-91	INDUCTOR 10uH		R230	1-218-285-11	METAL CHIP 75 5%	1/10W
L203	1-469-525-91	INDUCTOR 10uH		R231	1-218-285-11	METAL CHIP 75 5%	1/10W
L602	1-469-525-91	INDUCTOR 10uH		R232	1-218-285-11	METAL CHIP 75 5%	1/10W
< TRANSISTOR >				R233	1-218-285-11	METAL CHIP 75 5%	1/10W
Q201	1-801-806-11	TRANSISTOR DTC144EKA		R234	1-218-285-11	METAL CHIP 75 5%	1/10W
Q202	8-729-120-28	TRANSISTOR 2SC1623-L5L6		R235	1-218-285-11	METAL CHIP 75 5%	1/10W
Q203	8-729-027-23	TRANSISTOR DTA114EKA-T146		R236	1-218-285-11	METAL CHIP 75 5%	1/10W
Q204	1-801-806-11	TRANSISTOR DTC144EKA		R237	1-216-864-11	SHORT CHIP 0	
Q205	8-729-027-23	TRANSISTOR DTA114EKA-T146		R238	1-216-864-11	SHORT CHIP 0	
Q206	1-801-806-11	TRANSISTOR DTC144EKA		R239	1-216-864-11	SHORT CHIP 0	
Q207	8-729-027-52	TRANSISTOR DTC124EKA-T146		R240	1-216-864-11	SHORT CHIP 0	
Q208	8-729-027-23	TRANSISTOR DTA114EKA-T146		R243	1-216-864-11	SHORT CHIP 0	
Q209	1-801-806-11	TRANSISTOR DTC144EKA		R244	1-216-864-11	SHORT CHIP 0	
Q601	8-729-120-28	TRANSISTOR 2SC1623-L5L6		R245	1-216-864-11	SHORT CHIP 0	
Q602	8-729-120-28	TRANSISTOR 2SC1623-L5L6		R603	1-216-821-11	METAL CHIP 1K 5%	1/10W
Q603	8-729-027-52	TRANSISTOR DTC124EKA-T146		R606	1-216-829-11	METAL CHIP 4.7K 5%	1/10W
Q604	8-729-027-52	TRANSISTOR DTC124EKA-T146		R609	1-216-817-11	METAL CHIP 470 5%	1/10W
Q605	8-729-027-23	TRANSISTOR DTA114EKA-T146		R610	1-216-817-11	METAL CHIP 470 5%	1/10W
< RESISTOR >				R611	1-216-825-11	METAL CHIP 2.2K 5%	1/10W
R102	1-216-864-11	SHORT CHIP 0		R612	1-216-825-11	METAL CHIP 2.2K 5%	1/10W

Ref. No.	Part No.	Description	Remark	Ref. No.	Part No.	Description	Remark
R613	1-216-829-11	METAL CHIP	4.7K 5% 1/10W			< IC >	
R614	1-216-829-11	METAL CHIP	4.7K 5% 1/10W				
R615	1-216-841-11	METAL CHIP	47K 5% 1/10W	IC605	8-759-649-89	IC MC4558CD	
R616	1-216-841-11	METAL CHIP	47K 5% 1/10W			< JACK >	
R617	1-216-821-11	METAL CHIP	1K 5% 1/10W	J603	1-566-822-51	JACK (AUDIO IN)	
R618	1-216-833-11	METAL CHIP	10K 5% 1/10W			< RESISTOR >	
R619	1-216-821-11	METAL CHIP	1K 5% 1/10W				
R620	1-216-833-11	METAL CHIP	10K 5% 1/10W	R605	1-216-817-11	METAL CHIP	470 5% 1/10W
R623	1-216-841-11	METAL CHIP	47K 5% 1/10W	R621	1-216-864-11	SHORT CHIP	0
R624	1-216-841-11	METAL CHIP	47K 5% 1/10W	R642	1-216-864-11	SHORT CHIP	0
R627	1-216-841-11	METAL CHIP	47K 5% 1/10W	R643	1-216-864-11	SHORT CHIP	0
R628	1-216-841-11	METAL CHIP	47K 5% 1/10W	R665	1-216-817-11	METAL CHIP	470 5% 1/10W
R629	1-216-841-11	METAL CHIP	47K 5% 1/10W	R666	1-216-829-11	METAL CHIP	4.7K 5% 1/10W
R630	1-216-841-11	METAL CHIP	47K 5% 1/10W	R667	1-216-829-11	METAL CHIP	4.7K 5% 1/10W
R631	1-216-841-11	METAL CHIP	47K 5% 1/10W	R668	1-216-829-11	METAL CHIP	4.7K 5% 1/10W
R632	1-216-841-11	METAL CHIP	47K 5% 1/10W	R669	1-216-829-11	METAL CHIP	4.7K 5% 1/10W
R634	1-216-841-11	METAL CHIP	47K 5% 1/10W	R670	1-216-821-11	METAL CHIP	1K 5% 1/10W
R635	1-216-833-11	METAL CHIP	10K 5% 1/10W	R671	1-216-821-11	METAL CHIP	1K 5% 1/10W
R636	1-216-841-11	METAL CHIP	47K 5% 1/10W	R672	1-216-821-11	METAL CHIP	1K 5% 1/10W
R637	1-216-821-11	METAL CHIP	1K 5% 1/10W	R673	1-216-821-11	METAL CHIP	1K 5% 1/10W
R638	1-216-821-11	METAL CHIP	1K 5% 1/10W	R677	1-216-845-11	METAL CHIP	100K 5% 1/10W
R639	1-216-827-11	METAL CHIP	3.3K 5% 1/10W	R678	1-216-845-11	METAL CHIP	100K 5% 1/10W
R640	1-216-841-11	METAL CHIP	47K 5% 1/10W	R683	1-216-864-11	SHORT CHIP	0
R641	1-216-841-11	METAL CHIP	47K 5% 1/10W	R684	1-216-864-11	SHORT CHIP	0
R644	1-216-827-11	METAL CHIP	3.3K 5% 1/10W	*****			
R645	1-216-829-11	METAL CHIP	4.7K 5% 1/10W	KEY BOARD			
R646	1-216-833-11	METAL CHIP	10K 5% 1/10W	*****			
R647	1-216-833-11	METAL CHIP	10K 5% 1/10W	< RESISTOR >			
R650	1-216-833-11	METAL CHIP	10K 5% 1/10W	R851	1-216-821-11	METAL CHIP	1K 5% 1/10W
R651	1-216-833-11	METAL CHIP	10K 5% 1/10W	R852	1-216-829-11	METAL CHIP	4.7K 5% 1/10W
R652	1-216-833-11	METAL CHIP	10K 5% 1/10W	R853	1-216-825-11	METAL CHIP	2.2K 5% 1/10W
R653	1-216-833-11	METAL CHIP	10K 5% 1/10W	R854	1-216-825-11	METAL CHIP	2.2K 5% 1/10W
R654	1-216-833-11	METAL CHIP	10K 5% 1/10W	R855	1-216-821-11	METAL CHIP	1K 5% 1/10W
R663	1-216-845-11	METAL CHIP	100K 5% 1/10W	R856	1-216-825-11	METAL CHIP	2.2K 5% 1/10W
R664	1-216-845-11	METAL CHIP	100K 5% 1/10W	R857	1-216-825-11	METAL CHIP	2.2K 5% 1/10W
R674	1-216-833-11	METAL CHIP	10K 5% 1/10W	< SWITCH >			
R675	1-216-833-11	METAL CHIP	10K 5% 1/10W	S802	1-762-875-21	SWITCH, KEYBOARD (▶▶)	
R681	1-216-864-11	SHORT CHIP	0	S803	1-762-875-21	SWITCH, KEYBOARD (◀◀)	
R682	1-216-864-11	SHORT CHIP	0	S804	1-762-875-21	SWITCH, KEYBOARD (■)	
R685	1-216-864-11	SHORT CHIP	0	S805	1-762-875-21	SWITCH, KEYBOARD (■)	
R687	1-216-864-11	SHORT CHIP	0	S806	1-762-875-21	SWITCH, KEYBOARD (▶▶)	
R688	1-216-821-11	METAL CHIP	1K 5% 1/10W	S807	1-762-875-21	SWITCH, KEYBOARD (FUNCTION)	
R689	1-216-821-11	METAL CHIP	1K 5% 1/10W	S808	1-762-875-21	SWITCH, KEYBOARD (△)	
*****				*****			
IPOD BOARD				*****			
*****				*****			
< CAPACITOR >				*****			
C636	1-216-864-11	SHORT CHIP	0	A-1121-242-A	MAIN BOARD, COMPLETE (EXCEPT RU)		
C637	1-162-927-11	CERAMIC CHIP	100PF 5% 50V	A-1121-387-A	MAIN BOARD, COMPLETE (RU)		
C638	1-162-927-11	CERAMIC CHIP	100PF 5% 50V	*****			
C639	1-126-964-11	ELECT	10uF 20% 50V	7-685-647-79	SCREW +BVTP 3X10 TYPE2 IT-3		
C640	1-126-964-11	ELECT	10uF 20% 50V	< CAPACITOR >			
C641	1-126-933-11	ELECT	100uF 20% 16V	C101	1-164-346-11	CERAMIC CHIP	1uF 16V
C642	1-164-156-11	CERAMIC CHIP	0.1uF 25V	C102	1-164-346-11	CERAMIC CHIP	1uF 16V
C643	1-126-933-11	ELECT	100uF 20% 16V	C103	1-164-346-11	CERAMIC CHIP	1uF 16V

HCD-DZ500F

MAIN

Ref. No.	Part No.	Description		Remark	Ref. No.	Part No.	Description		Remark
C104	1-164-346-11	CERAMIC CHIP	1uF	16V	C188	1-164-156-11	CERAMIC CHIP	0.1uF	25V
C105	1-164-346-11	CERAMIC CHIP	1uF	16V	C189	1-164-156-11	CERAMIC CHIP	0.1uF	25V
C106	1-164-346-11	CERAMIC CHIP	1uF	16V	C190	1-164-156-11	CERAMIC CHIP	0.1uF	25V
C107	1-164-346-11	CERAMIC CHIP	1uF	16V	C191	1-107-898-11	ELECT	2200uF	20% 35V
C108	1-100-566-91	CERAMIC CHIP	0.1uF	10% 25V	C192	1-107-898-11	ELECT	2200uF	20% 35V
C109	1-100-566-91	CERAMIC CHIP	0.1uF	10% 25V	C193	1-107-898-11	ELECT	2200uF	20% 35V
C111	1-164-346-11	CERAMIC CHIP	1uF	16V	C194	1-107-898-11	ELECT	2200uF	20% 35V
C112	1-164-346-11	CERAMIC CHIP	1uF	16V	C195	1-107-898-11	ELECT	2200uF	20% 35V
C113	1-164-346-11	CERAMIC CHIP	1uF	16V	C196	1-107-898-11	ELECT	2200uF	20% 35V
C114	1-164-346-11	CERAMIC CHIP	1uF	16V	C197	1-107-898-11	ELECT	2200uF	20% 35V
C115	1-164-346-11	CERAMIC CHIP	1uF	16V	C198	1-164-156-11	CERAMIC CHIP	0.1uF	25V
C116	1-164-346-11	CERAMIC CHIP	1uF	16V	C199	1-164-156-11	CERAMIC CHIP	0.1uF	25V
C117	1-164-346-11	CERAMIC CHIP	1uF	16V	C200	1-164-156-11	CERAMIC CHIP	0.1uF	25V
C119	1-162-927-11	CERAMIC CHIP	100PF	5% 50V	C201	1-125-898-91	CERAMIC CHIP	0.22uF	10% 50V
C120	1-126-947-11	ELECT	47uF	20% 35V	C202	1-125-898-91	CERAMIC CHIP	0.22uF	10% 50V
C131	1-164-156-11	CERAMIC CHIP	0.1uF	25V	C203	1-125-898-91	CERAMIC CHIP	0.22uF	10% 50V
C132	1-164-156-11	CERAMIC CHIP	0.1uF	25V	C204	1-125-898-91	CERAMIC CHIP	0.22uF	10% 50V
C133	1-164-156-11	CERAMIC CHIP	0.1uF	25V	C205	1-125-898-91	CERAMIC CHIP	0.22uF	10% 50V
C134	1-164-156-11	CERAMIC CHIP	0.1uF	25V	C206	1-125-898-91	CERAMIC CHIP	0.22uF	10% 50V
C135	1-164-156-11	CERAMIC CHIP	0.1uF	25V	C207	1-125-898-91	CERAMIC CHIP	0.22uF	10% 50V
C136	1-164-156-11	CERAMIC CHIP	0.1uF	25V	C208	1-125-898-91	CERAMIC CHIP	0.22uF	10% 50V
C137	1-164-156-11	CERAMIC CHIP	0.1uF	25V	C209	1-125-898-91	CERAMIC CHIP	0.22uF	10% 50V
C141	1-164-156-11	CERAMIC CHIP	0.1uF	25V	C210	1-125-898-91	CERAMIC CHIP	0.22uF	10% 50V
C142	1-164-156-11	CERAMIC CHIP	0.1uF	25V	C211	1-136-177-00	FILM	1uF	5% 50V
C143	1-164-156-11	CERAMIC CHIP	0.1uF	25V	C212	1-136-177-00	FILM	1uF	5% 50V
C144	1-164-156-11	CERAMIC CHIP	0.1uF	25V	C213	1-136-177-00	FILM	1uF	5% 50V
C145	1-164-156-11	CERAMIC CHIP	0.1uF	25V	C214	1-136-177-00	FILM	1uF	5% 50V
C146	1-164-156-11	CERAMIC CHIP	0.1uF	25V	C215	1-136-177-00	FILM	1uF	5% 50V
C147	1-164-156-11	CERAMIC CHIP	0.1uF	25V	C216	1-136-177-00	FILM	1uF	5% 50V
C151	1-115-185-11	CERAMIC CHIP	0.033uF	10% 50V	C217	1-136-177-00	FILM	1uF	5% 50V
C152	1-115-185-11	CERAMIC CHIP	0.033uF	10% 50V	C218	1-164-156-11	CERAMIC CHIP	0.1uF	25V
C153	1-115-185-11	CERAMIC CHIP	0.033uF	10% 50V	C221	1-136-177-00	FILM	1uF	5% 50V
C154	1-115-185-11	CERAMIC CHIP	0.033uF	10% 50V	C222	1-136-177-00	FILM	1uF	5% 50V
C155	1-115-185-11	CERAMIC CHIP	0.033uF	10% 50V	C223	1-136-177-00	FILM	1uF	5% 50V
C156	1-115-185-11	CERAMIC CHIP	0.033uF	10% 50V	C224	1-136-177-00	FILM	1uF	5% 50V
C157	1-115-185-11	CERAMIC CHIP	0.033uF	10% 50V	C225	1-136-177-00	FILM	1uF	5% 50V
C161	1-125-898-91	CERAMIC CHIP	0.22uF	10% 50V	C226	1-136-177-00	FILM	1uF	5% 50V
C162	1-125-898-91	CERAMIC CHIP	0.22uF	10% 50V	C227	1-136-177-00	FILM	1uF	5% 50V
C163	1-125-898-91	CERAMIC CHIP	0.22uF	10% 50V	C248	1-126-947-11	ELECT	47uF	20% 35V
C164	1-125-898-91	CERAMIC CHIP	0.22uF	10% 50V	C251	1-162-966-11	CERAMIC CHIP	0.0022uF	10% 50V
C165	1-125-898-91	CERAMIC CHIP	0.22uF	10% 50V	C252	1-162-966-11	CERAMIC CHIP	0.0022uF	10% 50V
C166	1-125-898-91	CERAMIC CHIP	0.22uF	10% 50V	C253	1-162-966-11	CERAMIC CHIP	0.0022uF	10% 50V
C167	1-125-898-91	CERAMIC CHIP	0.22uF	10% 50V	C254	1-162-966-11	CERAMIC CHIP	0.0022uF	10% 50V
C171	1-125-898-91	CERAMIC CHIP	0.22uF	10% 50V	C255	1-162-966-11	CERAMIC CHIP	0.0022uF	10% 50V
C172	1-125-898-91	CERAMIC CHIP	0.22uF	10% 50V	C256	1-162-966-11	CERAMIC CHIP	0.0022uF	10% 50V
C173	1-125-898-91	CERAMIC CHIP	0.22uF	10% 50V	C257	1-162-966-11	CERAMIC CHIP	0.0022uF	10% 50V
C174	1-125-898-91	CERAMIC CHIP	0.22uF	10% 50V	C261	1-162-966-11	CERAMIC CHIP	0.0022uF	10% 50V
C175	1-125-898-91	CERAMIC CHIP	0.22uF	10% 50V	C262	1-162-966-11	CERAMIC CHIP	0.0022uF	10% 50V
C176	1-125-898-91	CERAMIC CHIP	0.22uF	10% 50V	C263	1-162-966-11	CERAMIC CHIP	0.0022uF	10% 50V
C177	1-125-898-91	CERAMIC CHIP	0.22uF	10% 50V	C264	1-162-966-11	CERAMIC CHIP	0.0022uF	10% 50V
C181	1-115-185-11	CERAMIC CHIP	0.033uF	10% 50V	C265	1-162-966-11	CERAMIC CHIP	0.0022uF	10% 50V
C182	1-115-185-11	CERAMIC CHIP	0.033uF	10% 50V	C266	1-162-966-11	CERAMIC CHIP	0.0022uF	10% 50V
C183	1-115-185-11	CERAMIC CHIP	0.033uF	10% 50V	C267	1-162-966-11	CERAMIC CHIP	0.0022uF	10% 50V
C184	1-115-185-11	CERAMIC CHIP	0.033uF	10% 50V	C268	1-163-021-91	CERAMIC CHIP	0.01uF	10% 50V
C185	1-115-185-11	CERAMIC CHIP	0.033uF	10% 50V	C269	1-163-021-91	CERAMIC CHIP	0.01uF	10% 50V
C186	1-115-185-11	CERAMIC CHIP	0.033uF	10% 50V	C271	1-125-898-91	CERAMIC CHIP	0.22uF	10% 50V
C187	1-115-185-11	CERAMIC CHIP	0.033uF	10% 50V	C272	1-125-898-91	CERAMIC CHIP	0.22uF	10% 50V
					C273	1-125-898-91	CERAMIC CHIP	0.22uF	10% 50V

Ref. No.	Part No.	Description			Remark	Ref. No.	Part No.	Description			Remark
C274	1-125-898-91	CERAMIC CHIP	0.22uF	10%	50V	C351	1-162-927-11	CERAMIC CHIP	100PF	5%	50V
C275	1-163-021-91	CERAMIC CHIP	0.01uF	10%	50V	C352	1-162-927-11	CERAMIC CHIP	100PF	5%	50V
C276	1-163-021-91	CERAMIC CHIP	0.01uF	10%	50V	C353	1-162-927-11	CERAMIC CHIP	100PF	5%	50V
C277	1-163-021-91	CERAMIC CHIP	0.01uF	10%	50V	C354	1-162-927-11	CERAMIC CHIP	100PF	5%	50V
C278	1-163-021-91	CERAMIC CHIP	0.01uF	10%	50V	C356	1-162-927-11	CERAMIC CHIP	100PF	5%	50V
C279	1-163-009-91	CERAMIC CHIP	0.001uF	10%	50V	C357	1-162-927-11	CERAMIC CHIP	100PF	5%	50V
C280	1-163-009-91	CERAMIC CHIP	0.001uF	10%	50V	C358	1-126-925-91	ELECT	470uF	20%	10V
C281	1-162-966-11	CERAMIC CHIP	0.0022uF	10%	50V	C359	1-126-925-91	ELECT	470uF	20%	10V
C282	1-162-966-11	CERAMIC CHIP	0.0022uF	10%	50V	C360	1-164-156-11	CERAMIC CHIP	0.1uF		25V
C283	1-162-966-11	CERAMIC CHIP	0.0022uF	10%	50V	C361	1-126-947-11	ELECT	47uF	20%	35V
C284	1-162-966-11	CERAMIC CHIP	0.0022uF	10%	50V	C362	1-104-658-91	ELECT	100uF	20%	10V
C285	1-162-966-11	CERAMIC CHIP	0.0022uF	10%	50V	C363	1-164-156-11	CERAMIC CHIP	0.1uF		25V
C286	1-162-966-11	CERAMIC CHIP	0.0022uF	10%	50V	C366	1-126-934-11	ELECT	220uF	20%	16V
C287	1-162-966-11	CERAMIC CHIP	0.0022uF	10%	50V	C367	1-164-156-11	CERAMIC CHIP	0.1uF		25V
C288	1-162-966-11	CERAMIC CHIP	0.0022uF	10%	50V	C368	1-165-908-11	CERAMIC CHIP	1uF	10%	10V
C289	1-162-966-11	CERAMIC CHIP	0.0022uF	10%	50V	C371	1-162-964-11	CERAMIC CHIP	0.001uF	10%	50V
C290	1-162-966-11	CERAMIC CHIP	0.0022uF	10%	50V	C372	1-126-960-11	ELECT	1uF	20%	50V
C291	1-162-966-11	CERAMIC CHIP	0.0022uF	10%	50V	C374	1-162-970-11	CERAMIC CHIP	0.01uF	10%	25V
C292	1-162-966-11	CERAMIC CHIP	0.0022uF	10%	50V	C375	1-126-933-11	ELECT	100uF	20%	16V
C293	1-162-966-11	CERAMIC CHIP	0.0022uF	10%	50V	C377	1-126-964-11	ELECT	10uF	20%	50V
C294	1-162-966-11	CERAMIC CHIP	0.0022uF	10%	50V	C380	1-126-923-91	ELECT	220uF	20%	10V
C296	1-163-021-91	CERAMIC CHIP	0.01uF	10%	50V	C381	1-162-970-11	CERAMIC CHIP	0.01uF	10%	25V
C297	1-163-021-91	CERAMIC CHIP	0.01uF	10%	50V	C382	1-162-964-11	CERAMIC CHIP	0.001uF	10%	50V
C298	1-163-021-91	CERAMIC CHIP	0.01uF	10%	50V	C383	1-162-915-11	CERAMIC CHIP	10PF	0.5PF	50V
C299	1-163-021-91	CERAMIC CHIP	0.01uF	10%	50V	C384	1-162-910-11	CERAMIC CHIP	5PF	0.25PF	50V
C301	1-164-156-11	CERAMIC CHIP	0.1uF		25V	C385	1-164-505-11	CERAMIC CHIP	2.2uF		16V
C302	1-164-156-11	CERAMIC CHIP	0.1uF		25V	C391	1-164-505-11	CERAMIC CHIP	2.2uF		16V
C303	1-164-156-11	CERAMIC CHIP	0.1uF		25V	C392	1-164-505-11	CERAMIC CHIP	2.2uF		16V
C304	1-164-156-11	CERAMIC CHIP	0.1uF		25V	C393	1-164-505-11	CERAMIC CHIP	2.2uF		16V
C305	1-164-156-11	CERAMIC CHIP	0.1uF		25V	C394	1-164-505-11	CERAMIC CHIP	2.2uF		16V
C306	1-164-156-11	CERAMIC CHIP	0.1uF		25V	C395	1-164-505-11	CERAMIC CHIP	2.2uF		16V
C307	1-126-933-11	ELECT	100uF	20%	16V	C396	1-117-370-11	CERAMIC CHIP	10uF		10V
C308	1-164-156-11	CERAMIC CHIP	0.1uF		25V	C402	1-162-927-11	CERAMIC CHIP	100PF	5%	50V
C309	1-164-156-11	CERAMIC CHIP	0.1uF		25V	C403	1-162-927-11	CERAMIC CHIP	100PF	5%	50V
C310	1-164-156-11	CERAMIC CHIP	0.1uF		25V	C404	1-162-927-11	CERAMIC CHIP	100PF	5%	50V
C311	1-164-156-11	CERAMIC CHIP	0.1uF		25V	C405	1-162-964-11	CERAMIC CHIP	0.001uF	10%	50V
C312	1-164-156-11	CERAMIC CHIP	0.1uF		25V	C406	1-162-968-11	CERAMIC CHIP	0.0047uF	10%	50V
C313	1-164-156-11	CERAMIC CHIP	0.1uF		25V	C436	1-162-927-11	CERAMIC CHIP	100PF	5%	50V
C314	1-164-156-11	CERAMIC CHIP	0.1uF		25V	C501	1-107-826-11	CERAMIC CHIP	0.1uF	10%	16V
C315	1-164-156-11	CERAMIC CHIP	0.1uF		25V	C502	1-107-826-11	CERAMIC CHIP	0.1uF	10%	16V
C316	1-164-156-11	CERAMIC CHIP	0.1uF		25V	C525	1-107-826-11	CERAMIC CHIP	0.1uF	10%	16V
C317	1-164-156-11	CERAMIC CHIP	0.1uF		25V	C547	1-162-923-11	CERAMIC CHIP	47PF	5%	50V
C318	1-164-156-11	CERAMIC CHIP	0.1uF		25V	C548	1-216-864-11	SHORT CHIP	0		
C319	1-164-156-11	CERAMIC CHIP	0.1uF		25V	C570	1-107-826-11	CERAMIC CHIP	0.1uF	10%	16V
C320	1-164-156-11	CERAMIC CHIP	0.1uF		25V	C571	1-107-826-11	CERAMIC CHIP	0.1uF	10%	16V
C321	1-164-156-11	CERAMIC CHIP	0.1uF		25V	C572	1-107-826-11	CERAMIC CHIP	0.1uF	10%	16V
C322	1-164-156-11	CERAMIC CHIP	0.1uF		25V	C580	1-126-916-11	ELECT	1000uF	20%	6.3V
C323	1-164-156-11	CERAMIC CHIP	0.1uF		25V	C582	1-104-658-91	ELECT	100uF	20%	10V
C324	1-164-156-11	CERAMIC CHIP	0.1uF		25V	C583	1-115-467-11	CERAMIC CHIP	0.22uF	10%	10V
C325	1-164-156-11	CERAMIC CHIP	0.1uF		25V	C587	1-115-467-11	CERAMIC CHIP	0.22uF	10%	10V
C326	1-164-156-11	CERAMIC CHIP	0.1uF		25V	C589	1-107-826-11	CERAMIC CHIP	0.1uF	10%	16V
C327	1-164-156-11	CERAMIC CHIP	0.1uF		25V	C595	1-107-826-11	CERAMIC CHIP	0.1uF	10%	16V
C328	1-164-156-11	CERAMIC CHIP	0.1uF		25V	C596	1-126-947-11	ELECT	47uF	20%	35V
C329	1-126-947-11	ELECT	47uF	20%	35V	C597	1-165-112-11	CERAMIC CHIP	0.33uF		16V
C332	1-126-947-11	ELECT	47uF	20%	35V	C598	1-165-112-11	CERAMIC CHIP	0.33uF		16V
C335	1-126-947-11	ELECT	47uF	20%	35V	C601	1-126-947-11	ELECT	47uF	20%	35V
C350	1-115-339-11	CERAMIC CHIP	0.1uF	10%	50V	C602	1-107-826-11	CERAMIC CHIP	0.1uF	10%	16V
						C603	1-104-658-91	ELECT	100uF	20%	10V

HCD-DZ500F

MAIN

Ref. No.	Part No.	Description			Remark	Ref. No.	Part No.	Description			Remark
C608	1-162-953-11	CERAMIC CHIP	100PF	5%	50V	△C963	1-117-699-11	CERAMIC	0.001uF	99%	250V
C712	1-107-826-11	CERAMIC CHIP	0.1uF	10%	16V						
C716	1-107-826-11	CERAMIC CHIP	0.1uF	10%	16V	△C964	1-117-699-11	CERAMIC	0.001uF	99%	250V
C762	1-107-826-11	CERAMIC CHIP	0.1uF	10%	16V	△C965	1-113-896-11	CERAMIC	220PF	10%	250V
C798	1-107-826-11	CERAMIC CHIP	0.1uF	10%	16V	C966	1-113-896-11	CERAMIC	220PF	10%	250V
C799	1-107-826-11	CERAMIC CHIP	0.1uF	10%	16V	C967	1-100-566-91	CERAMIC CHIP	0.1uF	10%	25V
C856	1-107-826-11	CERAMIC CHIP	0.1uF	10%	16V	C968	1-100-566-91	CERAMIC CHIP	0.1uF	10%	25V
								< CONNECTOR >			
C875	1-162-970-11	CERAMIC CHIP	0.01uF	10%	25V	CN300	1-564-704-11	PIN, CONNECTOR (SMALL TYPE) 2P			
△C901	1-165-529-11	MYLAR	0.22uF	10	275V	* CN309	1-568-954-11	PIN, CONNECTOR 5P			
△C902	1-165-529-11	MYLAR	0.22uF	10	275V	CN503	1-784-366-21	CONNECTOR, FFC/FPC 7P			
△C903	1-112-332-11	ELECT (BLOCK)	330uF	20%	400V	CN504	1-784-370-21	CONNECTOR, FFC/FPC 11P			
					(EXCEPT RU)	CN505	1-784-370-21	CONNECTOR, FFC/FPC 11P			
△C903	1-112-333-11	ELECT (BLOCK)	330uF	20%	450V						
					(RU)						
△C905	1-112-335-91	FILM	0.0033uF	5%	400V	CN507	1-793-991-11	FFC/CONNECTOR, FPC (LIF (NON-ZIF)) 23P			
△C906	1-125-893-11	FILM	680PF	3%	1.5KV	CN509	1-779-287-11	CONNECTOR, FFC (LIF (NON-ZIF)) 19P			
△C907	1-162-964-11	CERAMIC CHIP	0.001uF	10%	50V	CN901	1-564-321-00	PIN, CONNECTOR (3.96mm PITCH) 2P			
△C908	1-107-909-11	ELECT	47uF	20%	50V			< DIODE >			
△C909	1-162-960-11	CERAMIC CHIP	220PF	10%	50V	D101	6-500-260-01	DIODE P6SMB39AT3			
						D102	6-500-260-01	DIODE P6SMB39AT3			
△C910	1-107-907-11	ELECT	22uF	20%	50V	D103	6-500-260-01	DIODE P6SMB39AT3			
△C911	1-162-968-11	CERAMIC CHIP	0.0047uF	10%	50V	D104	6-500-260-01	DIODE P6SMB39AT3			
△C912	1-117-693-11	CERAMIC	100PF	10%	250V	D105	6-500-260-01	DIODE P6SMB39AT3			
△C913	1-117-693-11	CERAMIC	100PF	10%	250V						
△C918	1-113-925-11	CERAMIC	0.01uF	20%	250V	D106	6-500-260-01	DIODE P6SMB39AT3			
						D107	6-500-260-01	DIODE P6SMB39AT3			
△C920	1-113-925-11	CERAMIC	0.01uF	20%	250V	D201	6-500-260-01	DIODE P6SMB39AT3			
△C921	1-165-136-11	CERAMIC	3300PF	10%	500V	D202	6-500-260-01	DIODE P6SMB39AT3			
△C922	1-128-560-11	ELECT	22uF	20%	100V	D203	6-500-260-01	DIODE P6SMB39AT3			
△C923	1-162-968-11	CERAMIC CHIP	0.0047uF	10%	50V						
△C924	1-124-257-00	ELECT	2.2uF	20%	50V	D204	6-500-260-01	DIODE P6SMB39AT3			
						D205	6-500-260-01	DIODE P6SMB39AT3			
△C925	1-107-974-81	CERAMIC	47PF	5%	2KV	D206	6-500-260-01	DIODE P6SMB39AT3			
△C928	1-113-896-11	CERAMIC	220PF	10%	250V	D207	6-500-260-01	DIODE P6SMB39AT3			
△C929	1-115-339-11	CERAMIC CHIP	0.1uF	10%	50V	D303	8-719-988-61	DIODE 1SS355TE-17			
C931	1-136-203-11	MYLAR	0.01uF	5%	630V						
C932	1-100-924-21	ELECT	2200uF	20%	35V	D304	8-719-988-61	DIODE 1SS355TE-17			
						D503	8-719-988-61	DIODE 1SS355TE-17			
C933	1-100-924-21	ELECT	2200uF	20%	35V	D504	8-719-988-61	DIODE 1SS355TE-17			
C934	1-107-898-11	ELECT	2200uF	20%	35V	D505	8-719-988-61	DIODE 1SS355TE-17			
C935	1-165-319-11	CERAMIC CHIP	0.1uF		50V	D506	8-719-988-61	DIODE 1SS355TE-17			
C936	1-165-319-11	CERAMIC CHIP	0.1uF		50V						
C937	1-100-756-91	CERAMIC CHIP	0.047uF		50V	△D901	8-719-082-57	DIODE D5SBA60F01			
						△D905	8-719-063-74	DIODE D1NL20U-TR2			
△C938	1-117-698-51	CERAMIC	680PF	10%	250V	△D906	8-719-988-61	DIODE 1SS355TE-17			
C939	1-136-165-00	FILM	0.1uF	5%	50V	△D907	8-719-988-61	DIODE 1SS355TE-17			
C940	1-128-947-31	ELECT	3300uF	20%	10V	△D908	8-719-988-61	DIODE 1SS355TE-17			
C941	1-128-954-21	ELECT	1000uF	20%	25V						
C942	1-126-941-11	ELECT	470uF	20%	25V	△D909	8-719-988-61	DIODE 1SS355TE-17			
						△D910	8-719-988-61	DIODE 1SS355TE-17			
C943	1-126-933-11	ELECT	100uF	20%	16V	△D913	6-500-241-01	DIODE SARS03			
C944	1-128-951-21	ELECT	2200uF	20%	16V	△D914	8-719-988-61	DIODE 1SS355TE-17			
C945	1-126-935-11	ELECT	470uF	20%	16V	△D915	8-719-977-28	DIODE DTZ10B			
C946	1-128-950-21	ELECT	1000uF	20%	16V						
C947	1-104-658-91	ELECT	100uF	20%	10V	△D921	8-719-948-45	DIODE ERA22-08			
						△D922	8-719-063-74	DIODE D1NL20U-TR2			
C948	1-126-925-91	ELECT	470uF	20%	10V	△D923	8-719-977-28	DIODE DTZ10B			
C949	1-165-722-31	ELECT	100uF	20%	10V	△D924	8-719-083-69	DIODE UDZSTE-1724B			
C951	1-100-566-91	CERAMIC CHIP	0.1uF	10%	25V	△D925	8-719-069-54	DIODE UDZSTE-175.1B			
C952	1-100-756-91	CERAMIC CHIP	0.047uF		50V						
C953	1-117-214-11	CERAMIC	0.001uF	10%	2KV	△D926	8-719-083-69	DIODE UDZSTE-1724B			
						D931	6-500-383-01	DIODE YG906C2R			
C954	1-100-566-91	CERAMIC CHIP	0.1uF	10%	25V	D932	8-719-069-54	DIODE UDZSTE-175.1B			
C955	1-100-566-91	CERAMIC CHIP	0.1uF	10%	25V	D941	8-719-063-74	DIODE D1NL20U-TR2			
C958	1-100-566-91	CERAMIC CHIP	0.1uF	10%	25V	D942	8-719-080-53	DIODE RK36LF-B3			
C960	1-100-566-91	CERAMIC CHIP	0.1uF	10%	25V						

Ref. No.	Part No.	Description	Remark	Ref. No.	Part No.	Description	Remark
D943	8-719-080-53	DIODE RK36LF-B3		L106	1-457-078-11	AIR-CORE COIL	
D944	6-500-288-11	DIODE EK19LF-F7		L107	1-414-398-11	INDUCTOR	10uH
D945	8-719-083-67	DIODE UDZSTE-1720B		L111	1-457-077-11	AIR-CORE COIL	
		< TERMINAL BOARD >		L112	1-457-077-11	AIR-CORE COIL	
				L113	1-457-077-11	AIR-CORE COIL	
EB901	1-537-770-21	TERMINAL BOARD, GROUND		L114	1-457-077-11	AIR-CORE COIL	
EB902	1-537-770-21	TERMINAL BOARD, GROUND		L115	1-457-077-11	AIR-CORE COIL	
EB903	1-537-770-21	TERMINAL BOARD, GROUND		L116	1-457-077-11	AIR-CORE COIL	
EB904	1-537-770-21	TERMINAL BOARD, GROUND		L121	1-456-680-11	INDUCTOR	10uH
EB905	1-537-770-21	TERMINAL BOARD, GROUND		L122	1-456-680-11	INDUCTOR	10uH
EB906	1-537-770-21	TERMINAL BOARD, GROUND		L123	1-456-680-11	INDUCTOR	10uH
EB907	1-537-770-21	TERMINAL BOARD, GROUND		L124	1-456-680-11	INDUCTOR	10uH
EB908	1-537-770-21	TERMINAL BOARD, GROUND		L125	1-456-680-11	INDUCTOR	10uH
EB910	1-537-770-21	TERMINAL BOARD, GROUND		L126	1-456-680-11	INDUCTOR	10uH
EB911	1-537-770-21	TERMINAL BOARD, GROUND		L127	1-456-680-11	INDUCTOR	10uH
		< FERRITE BEAD >		L131	1-456-680-11	INDUCTOR	10uH
FB301	1-469-760-21	FERRITE, EMI (SMD) (2012)		L132	1-456-680-11	INDUCTOR	10uH
FB302	1-216-295-91	SHORT CHIP 0		L133	1-456-680-11	INDUCTOR	10uH
△FB905	1-410-396-41	FERRITE 0.45uH		L134	1-456-680-11	INDUCTOR	10uH
		< IC >		L135	1-456-680-11	INDUCTOR	10uH
IC101	6-705-695-01	IC CXD9775M		L136	1-456-680-11	INDUCTOR	10uH
IC102	6-705-695-01	IC CXD9775M		L137	1-456-680-11	INDUCTOR	10uH
IC103	6-705-695-01	IC CXD9775M		L301	1-414-754-11	INDUCTOR	10uH
IC104	6-705-695-01	IC CXD9775M		L302	1-412-939-11	INDUCTOR	1uH
IC105	6-705-695-01	IC CXD9775M		L303	1-469-527-91	INDUCTOR	47uH
IC106	6-705-695-01	IC CXD9775M		L931	1-457-058-11	INDUCTOR	10.8uH
IC107	6-705-695-01	IC CXD9775M		L941	1-414-398-11	INDUCTOR	10uH
IC108	6-707-939-01	IC CXD9843AR		L942	1-414-398-11	INDUCTOR	10uH
IC109	6-707-939-01	IC CXD9843AR		L945	1-414-398-11	INDUCTOR	10uH
IC110	6-707-939-01	IC CXD9843AR		L947	1-414-398-11	INDUCTOR	10uH
IC301	6-705-720-01	IC RC4580IDR		L948	1-414-398-11	INDUCTOR	10uH
IC303	6-702-300-01	IC TK11118CSCL-G		L951	1-414-398-11	INDUCTOR	10uH
IC305	8-759-649-50	IC SN74AHC1GU04DCKR				< LINE FILTER >	
IC503	6-704-768-01	IC SN74AHC2G157HDCU3		△LF901	1-457-079-11	LINE FILTER COIL	
IC509	6-805-071-01	IC M30620MCP-A01FPU0				< IC >	
IC511	6-701-680-01	IC PST3629NR		△PC901	6-600-438-01	IC TLP421F (D4-GR)	
IC515	6-703-550-01	IC TA7809LS		△PC902	6-600-438-01	IC TLP421F (D4-GR)	
IC516	6-703-547-01	IC TA7805LS		△PC903	6-600-438-01	IC TLP421F (D4-GR)	
△IC901	6-707-742-11	IC STR-F6168-LF1352				< TRANSISTOR >	
△IC921	6-707-740-01	IC STR-V153		Q101	8-729-600-22	TRANSISTOR	2SA1235-F
IC931	8-759-648-34	IC TA76431AS (TPE6)		Q102	8-729-600-22	TRANSISTOR	2SA1235-F
IC941	6-707-746-01	IC SI-3120KM-TL		Q103	8-729-600-22	TRANSISTOR	2SA1235-F
IC942	6-707-745-10	IC SI-3050KM-TL		Q104	8-729-600-22	TRANSISTOR	2SA1235-F
IC943	6-707-744-01	IC SI-3033KM-TL		Q105	8-729-600-22	TRANSISTOR	2SA1235-F
IC951	6-707-743-01	IC TA76L431S (TPE6, Q)		Q106	8-729-600-22	TRANSISTOR	2SA1235-F
		< JACK >		Q107	8-729-600-22	TRANSISTOR	2SA1235-F
J201	1-780-202-11	TERMINAL BOARD (SP) (4P) (SPEAKER)		Q108	8-729-600-22	TRANSISTOR	2SA1235-F
J202	1-780-203-11	TERMINAL BOARD (SP) (2P) (SPEAKER)		Q109	8-729-600-22	TRANSISTOR	2SA1235-F
		< COIL >		Q110	8-729-600-22	TRANSISTOR	2SA1235-F
L101	1-457-078-11	AIR-CORE COIL		Q111	8-729-600-22	TRANSISTOR	2SA1235-F
L102	1-457-078-11	AIR-CORE COIL		Q112	8-729-600-22	TRANSISTOR	2SA1235-F
L103	1-457-078-11	AIR-CORE COIL		Q301	8-729-120-28	TRANSISTOR	2SC1623-L5L6
L104	1-457-078-11	AIR-CORE COIL		Q302	8-729-120-28	TRANSISTOR	2SC1623-L5L6
L105	1-457-078-11	AIR-CORE COIL		Q303	6-550-702-01	TRANSISTOR	2SC3243-TP-E

HCD-DZ500F

MAIN

Ref. No.	Part No.	Description	Remark			Ref. No.	Part No.	Description	Remark		
Q304	8-729-120-28	TRANSISTOR	2SC1623-L5L6			R175	1-216-864-11	SHORT CHIP	0		
Q506	8-729-120-28	TRANSISTOR	2SC1623-L5L6			R176	1-216-864-11	SHORT CHIP	0		
Q507	8-729-027-23	TRANSISTOR	DTA114EKA-T146			R177	1-216-864-11	SHORT CHIP	0		
Q901	8-729-140-04	TRANSISTOR	2SB1116A-L			R191	1-220-942-11	METAL CHIP	3.3	1%	1/4W
Q921	8-729-142-51	TRANSISTOR	2SD1616A-TP-LK			R192	1-220-942-11	METAL CHIP	3.3	1%	1/4W
Q943	1-801-806-11	TRANSISTOR	DTC144EKA			R193	1-220-942-11	METAL CHIP	3.3	1%	1/4W
Q945	6-550-718-01	TRANSISTOR	RSR025N03TL			R194	1-220-942-11	METAL CHIP	3.3	1%	1/4W
Q947	1-801-806-11	TRANSISTOR	DTC144EKA			R195	1-220-942-11	METAL CHIP	3.3	1%	1/4W
		< RESISTOR >				R196	1-220-942-11	METAL CHIP	3.3	1%	1/4W
R108	1-216-837-11	METAL CHIP	22K	5%	1/10W	R197	1-220-942-11	METAL CHIP	3.3	1%	1/4W
R109	1-216-837-11	METAL CHIP	22K	5%	1/10W	R201	1-220-942-11	METAL CHIP	3.3	1%	1/4W
R110	1-216-837-11	METAL CHIP	22K	5%	1/10W	R202	1-220-942-11	METAL CHIP	3.3	1%	1/4W
R111	1-216-837-11	METAL CHIP	22K	5%	1/10W	R203	1-220-942-11	METAL CHIP	3.3	1%	1/4W
R112	1-216-837-11	METAL CHIP	22K	5%	1/10W	R204	1-220-942-11	METAL CHIP	3.3	1%	1/4W
R113	1-216-837-11	METAL CHIP	22K	5%	1/10W	R205	1-220-942-11	METAL CHIP	3.3	1%	1/4W
R114	1-216-837-11	METAL CHIP	22K	5%	1/10W	R206	1-220-942-11	METAL CHIP	3.3	1%	1/4W
R115	1-216-837-11	METAL CHIP	22K	5%	1/10W	R207	1-220-942-11	METAL CHIP	3.3	1%	1/4W
R116	1-216-837-11	METAL CHIP	22K	5%	1/10W	R211	1-216-136-00	RES-CHIP	2.7	5%	1/8W
R117	1-216-837-11	METAL CHIP	22K	5%	1/10W	R212	1-216-136-00	RES-CHIP	2.7	5%	1/8W
R118	1-216-837-11	METAL CHIP	22K	5%	1/10W	R213	1-216-136-00	RES-CHIP	2.7	5%	1/8W
R119	1-216-837-11	METAL CHIP	22K	5%	1/10W	R214	1-216-136-00	RES-CHIP	2.7	5%	1/8W
R120	1-216-837-11	METAL CHIP	22K	5%	1/10W	R215	1-216-136-00	RES-CHIP	2.7	5%	1/8W
R128	1-216-837-11	METAL CHIP	22K	5%	1/10W	R216	1-216-136-00	RES-CHIP	2.7	5%	1/8W
R131	1-216-864-11	SHORT CHIP	0			R217	1-216-136-00	RES-CHIP	2.7	5%	1/8W
R132	1-216-864-11	SHORT CHIP	0			R221	1-216-136-00	RES-CHIP	2.7	5%	1/8W
R133	1-216-864-11	SHORT CHIP	0			R222	1-216-136-00	RES-CHIP	2.7	5%	1/8W
R134	1-216-864-11	SHORT CHIP	0			R223	1-216-136-00	RES-CHIP	2.7	5%	1/8W
R135	1-216-864-11	SHORT CHIP	0			R224	1-216-136-00	RES-CHIP	2.7	5%	1/8W
R136	1-216-864-11	SHORT CHIP	0			R225	1-216-136-00	RES-CHIP	2.7	5%	1/8W
R137	1-216-864-11	SHORT CHIP	0			R226	1-216-136-00	RES-CHIP	2.7	5%	1/8W
R139	1-216-864-11	SHORT CHIP	0			R227	1-216-136-00	RES-CHIP	2.7	5%	1/8W
R141	1-216-864-11	SHORT CHIP	0			R241	1-216-809-11	METAL CHIP	100	5%	1/10W
R142	1-216-864-11	SHORT CHIP	0			R242	1-216-809-11	METAL CHIP	100	5%	1/10W
R143	1-216-864-11	SHORT CHIP	0			R243	1-216-809-11	METAL CHIP	100	5%	1/10W
R144	1-216-864-11	SHORT CHIP	0			R244	1-216-809-11	METAL CHIP	100	5%	1/10W
R145	1-216-864-11	SHORT CHIP	0			R245	1-216-809-11	METAL CHIP	100	5%	1/10W
R146	1-216-864-11	SHORT CHIP	0			R246	1-216-809-11	METAL CHIP	100	5%	1/10W
R147	1-216-864-11	SHORT CHIP	0			R247	1-216-809-11	METAL CHIP	100	5%	1/10W
R151	1-216-864-11	SHORT CHIP	0			R300	1-216-809-11	METAL CHIP	100	5%	1/10W
R152	1-216-864-11	SHORT CHIP	0			R302	1-216-809-11	METAL CHIP	100	5%	1/10W
R153	1-216-864-11	SHORT CHIP	0			R303	1-216-809-11	METAL CHIP	100	5%	1/10W
R154	1-216-864-11	SHORT CHIP	0			R304	1-216-809-11	METAL CHIP	100	5%	1/10W
R155	1-216-864-11	SHORT CHIP	0			R305	1-216-809-11	METAL CHIP	100	5%	1/10W
R156	1-216-864-11	SHORT CHIP	0			R306	1-216-809-11	METAL CHIP	100	5%	1/10W
R157	1-216-864-11	SHORT CHIP	0			R308	1-216-809-11	METAL CHIP	100	5%	1/10W
R161	1-216-864-11	SHORT CHIP	0			R309	1-216-809-11	METAL CHIP	100	5%	1/10W
R162	1-216-864-11	SHORT CHIP	0			R310	1-216-809-11	METAL CHIP	100	5%	1/10W
R163	1-216-864-11	SHORT CHIP	0			R311	1-216-809-11	METAL CHIP	100	5%	1/10W
R164	1-216-864-11	SHORT CHIP	0			R312	1-216-809-11	METAL CHIP	100	5%	1/10W
R165	1-216-864-11	SHORT CHIP	0			R313	1-216-864-11	SHORT CHIP	0		
R166	1-216-864-11	SHORT CHIP	0			R314	1-216-809-11	METAL CHIP	100	5%	1/10W
R167	1-216-864-11	SHORT CHIP	0			R315	1-216-864-11	SHORT CHIP	0		
R171	1-216-864-11	SHORT CHIP	0			R316	1-216-817-11	METAL CHIP	470	5%	1/10W
R172	1-216-864-11	SHORT CHIP	0			R317	1-216-817-11	METAL CHIP	470	5%	1/10W
R173	1-216-864-11	SHORT CHIP	0			R318	1-216-817-11	METAL CHIP	470	5%	1/10W
R174	1-216-864-11	SHORT CHIP	0			R319	1-216-833-11	METAL CHIP	10K	5%	1/10W
						R320	1-216-864-11	SHORT CHIP	0		
						R321	1-216-864-11	SHORT CHIP	0		

Ref. No.	Part No.	Description	Remark	Ref. No.	Part No.	Description	Remark				
R322	1-216-833-11	METAL CHIP	10K	5%	1/10W	R394	1-216-857-11	METAL CHIP	1M	5%	1/10W
R323	1-216-864-11	SHORT CHIP	0			R395	1-216-845-11	METAL CHIP	100K	5%	1/10W
R324	1-216-864-11	SHORT CHIP	0			R396	1-216-809-11	METAL CHIP	100	5%	1/10W
R325	1-216-864-11	SHORT CHIP	0			R400	1-216-845-11	METAL CHIP	100K	5%	1/10W
R326	1-216-864-11	SHORT CHIP	0			R401	1-216-845-11	METAL CHIP	100K	5%	1/10W
R327	1-216-864-11	SHORT CHIP	0			R402	1-216-845-11	METAL CHIP	100K	5%	1/10W
R328	1-216-864-11	SHORT CHIP	0			R403	1-216-845-11	METAL CHIP	100K	5%	1/10W
R329	1-216-864-11	SHORT CHIP	0			R404	1-216-845-11	METAL CHIP	100K	5%	1/10W
R330	1-216-837-11	METAL CHIP	22K	5%	1/10W	R405	1-216-845-11	METAL CHIP	100K	5%	1/10W
R331	1-216-837-11	METAL CHIP	22K	5%	1/10W	R406	1-216-845-11	METAL CHIP	100K	5%	1/10W
R332	1-216-837-11	METAL CHIP	22K	5%	1/10W	R407	1-216-845-11	METAL CHIP	100K	5%	1/10W
R333	1-216-837-11	METAL CHIP	22K	5%	1/10W	R408	1-216-845-11	METAL CHIP	100K	5%	1/10W
R334	1-216-837-11	METAL CHIP	22K	5%	1/10W	R409	1-216-845-11	METAL CHIP	100K	5%	1/10W
R335	1-216-837-11	METAL CHIP	22K	5%	1/10W	R410	1-216-845-11	METAL CHIP	100K	5%	1/10W
R336	1-216-837-11	METAL CHIP	22K	5%	1/10W	R411	1-216-845-11	METAL CHIP	100K	5%	1/10W
R337	1-216-837-11	METAL CHIP	22K	5%	1/10W	R412	1-216-845-11	METAL CHIP	100K	5%	1/10W
R338	1-216-837-11	METAL CHIP	22K	5%	1/10W	R424	1-216-823-11	METAL CHIP	1.5K	5%	1/10W
R339	1-216-837-11	METAL CHIP	22K	5%	1/10W	R426	1-216-833-11	METAL CHIP	10K	5%	1/10W
R340	1-216-839-11	METAL CHIP	33K	5%	1/10W	R427	1-216-833-11	METAL CHIP	10K	5%	1/10W
R341	1-216-839-11	METAL CHIP	33K	5%	1/10W	R428	1-216-825-11	METAL CHIP	2.2K	5%	1/10W
R342	1-216-864-11	SHORT CHIP	0			R429	1-216-822-11	METAL CHIP	1.2K	5%	1/10W
R343	1-216-864-11	SHORT CHIP	0			R430	1-216-833-11	METAL CHIP	10K	5%	1/10W
R344	1-216-817-11	METAL CHIP	470	5%	1/10W	R431	1-216-845-11	METAL CHIP	100K	5%	1/10W
R345	1-216-833-11	METAL CHIP	10K	5%	1/10W	R450	1-216-833-11	METAL CHIP	10K	5%	1/10W
R346	1-216-817-11	METAL CHIP	470	5%	1/10W	R451	1-216-833-11	METAL CHIP	10K	5%	1/10W
R347	1-216-833-11	METAL CHIP	10K	5%	1/10W	R452	1-216-833-11	METAL CHIP	10K	5%	1/10W
R348	1-216-817-11	METAL CHIP	470	5%	1/10W	R453	1-216-833-11	METAL CHIP	10K	5%	1/10W
R349	1-216-825-11	METAL CHIP	2.2K	5%	1/10W	R456	1-216-833-11	METAL CHIP	10K	5%	1/10W
R350	1-216-825-11	METAL CHIP	2.2K	5%	1/10W	R457	1-216-833-11	METAL CHIP	10K	5%	1/10W
R351	1-216-809-11	METAL CHIP	100	5%	1/10W	R458	1-216-833-11	METAL CHIP	10K	5%	1/10W
R353	1-216-809-11	METAL CHIP	100	5%	1/10W	R459	1-216-833-11	METAL CHIP	10K	5%	1/10W
R354	1-216-809-11	METAL CHIP	100	5%	1/10W	R460	1-216-833-11	METAL CHIP	10K	5%	1/10W
R355	1-216-809-11	METAL CHIP	100	5%	1/10W	R461	1-216-833-11	METAL CHIP	10K	5%	1/10W
R356	1-216-803-11	METAL CHIP	33	5%	1/10W	R462	1-216-833-11	METAL CHIP	10K	5%	1/10W
R357	1-216-803-11	METAL CHIP	33	5%	1/10W	R463	1-216-833-11	METAL CHIP	10K	5%	1/10W
R358	1-216-803-11	METAL CHIP	33	5%	1/10W	R464	1-216-833-11	METAL CHIP	10K	5%	1/10W
R361	1-216-845-11	METAL CHIP	100K	5%	1/10W	R472	1-216-864-11	SHORT CHIP	0		
R362	1-216-845-11	METAL CHIP	100K	5%	1/10W	R473	1-216-864-11	SHORT CHIP	0		
R363	1-216-845-11	METAL CHIP	100K	5%	1/10W	R474	1-216-864-11	SHORT CHIP	0		
R364	1-216-845-11	METAL CHIP	100K	5%	1/10W	R475	1-216-864-11	SHORT CHIP	0		
R365	1-216-845-11	METAL CHIP	100K	5%	1/10W	R480	1-216-864-11	SHORT CHIP	0		
R366	1-216-845-11	METAL CHIP	100K	5%	1/10W	R481	1-216-833-11	METAL CHIP	10K	5%	1/10W
R371	1-216-818-11	METAL CHIP	560	5%	1/10W	R482	1-216-833-11	METAL CHIP	10K	5%	1/10W
R372	1-216-818-11	METAL CHIP	560	5%	1/10W	R483	1-216-833-11	METAL CHIP	10K	5%	1/10W
R373	1-216-818-11	METAL CHIP	560	5%	1/10W	R484	1-216-833-11	METAL CHIP	10K	5%	1/10W
R374	1-216-818-11	METAL CHIP	560	5%	1/10W	R487	1-216-833-11	METAL CHIP	10K	5%	1/10W
R375	1-216-818-11	METAL CHIP	560	5%	1/10W	R488	1-216-833-11	METAL CHIP	10K	5%	1/10W
R376	1-216-818-11	METAL CHIP	560	5%	1/10W	R489	1-216-833-11	METAL CHIP	10K	5%	1/10W
R377	1-216-818-11	METAL CHIP	560	5%	1/10W	R490	1-216-833-11	METAL CHIP	10K	5%	1/10W
R378	1-216-818-11	METAL CHIP	560	5%	1/10W	R491	1-216-833-11	METAL CHIP	10K	5%	1/10W
R379	1-216-818-11	METAL CHIP	560	5%	1/10W	R492	1-216-833-11	METAL CHIP	10K	5%	1/10W
R380	1-216-818-11	METAL CHIP	560	5%	1/10W	R493	1-216-833-11	METAL CHIP	10K	5%	1/10W
R381	1-216-818-11	METAL CHIP	560	5%	1/10W	R501	1-216-809-11	METAL CHIP	100	5%	1/10W
R382	1-216-818-11	METAL CHIP	560	5%	1/10W	R503	1-216-809-11	METAL CHIP	100	5%	1/10W
R383	1-216-818-11	METAL CHIP	560	5%	1/10W	R514	1-216-821-11	METAL CHIP	1K	5%	1/10W
R384	1-216-818-11	METAL CHIP	560	5%	1/10W	R535	1-216-821-11	METAL CHIP	1K	5%	1/10W
R393	1-216-801-11	METAL CHIP	22	5%	1/10W						

(EXCEPT RU)

HCD-DZ500F

MAIN

Ref. No.	Part No.	Description	Quantity	Unit	Remark	Ref. No.	Part No.	Description	Quantity	Unit	Remark
R536	1-216-821-11	METAL CHIP	1K	5%	1/10W (EXCEPT RU)	R711	1-216-809-11	METAL CHIP	100	5%	1/10W
R550	1-216-864-11	SHORT CHIP	0			R712	1-216-864-11	SHORT CHIP	0		
R584	1-216-809-11	METAL CHIP	100	5%	1/10W	R713	1-216-864-11	SHORT CHIP	0		
R585	1-216-809-11	METAL CHIP	100	5%	1/10W	R714	1-216-864-11	SHORT CHIP	0		
R586	1-216-809-11	METAL CHIP	100	5%	1/10W	R715	1-216-864-11	SHORT CHIP	0		
R587	1-216-809-11	METAL CHIP	100	5%	1/10W	R716	1-216-809-11	METAL CHIP	100	5%	1/10W
R588	1-216-809-11	METAL CHIP	100	5%	1/10W	R717	1-216-833-11	METAL CHIP	10K	5%	1/10W
R589	1-216-821-11	METAL CHIP	1K	5%	1/10W	R718	1-216-833-11	METAL CHIP	10K	5%	1/10W (RU)
R590	1-216-809-11	METAL CHIP	100	5%	1/10W	R719	1-216-833-11	METAL CHIP	10K	5%	1/10W
R591	1-216-809-11	METAL CHIP	100	5%	1/10W	R720	1-216-833-11	METAL CHIP	10K	5%	1/10W
R592	1-216-833-11	METAL CHIP	10K	5%	1/10W	R721	1-216-833-11	METAL CHIP	10K	5%	1/10W (RU)
R593	1-216-833-11	METAL CHIP	10K	5%	1/10W	R722	1-216-841-11	METAL CHIP	47K	5%	1/10W
R594	1-216-809-11	METAL CHIP	100	5%	1/10W	R725	1-216-829-11	METAL CHIP	4.7K	5%	1/10W
R595	1-216-809-11	METAL CHIP	100	5%	1/10W	R726	1-216-821-11	METAL CHIP	1K	5%	1/10W
R596	1-216-841-11	METAL CHIP	47K	5%	1/10W (RU)	R727	1-216-829-11	METAL CHIP	4.7K	5%	1/10W
R601	1-216-809-11	METAL CHIP	100	5%	1/10W	R728	1-216-821-11	METAL CHIP	1K	5%	1/10W
R606	1-216-819-11	METAL CHIP	680	5%	1/10W	R729	1-216-829-11	METAL CHIP	4.7K	5%	1/10W
R607	1-216-819-11	METAL CHIP	680	5%	1/10W	R730	1-216-829-11	METAL CHIP	4.7K	5%	1/10W
R608	1-216-809-11	METAL CHIP	100	5%	1/10W	R732	1-216-833-11	METAL CHIP	10K	5%	1/10W
R609	1-216-864-11	SHORT CHIP	0			R733	1-216-833-11	METAL CHIP	10K	5%	1/10W
R611	1-216-833-11	METAL CHIP	10K	5%	1/10W	R734	1-216-833-11	METAL CHIP	10K	5%	1/10W
R612	1-216-833-11	METAL CHIP	10K	5%	1/10W	R739	1-216-841-11	METAL CHIP	47K	5%	1/10W
R614	1-216-833-11	METAL CHIP	10K	5%	1/10W	R741	1-216-841-11	METAL CHIP	47K	5%	1/10W
R615	1-216-817-11	METAL CHIP	470	5%	1/10W	R742	1-216-833-11	METAL CHIP	10K	5%	1/10W
R616	1-216-833-11	METAL CHIP	10K	5%	1/10W	R744	1-216-833-11	METAL CHIP	10K	5%	1/10W
R620	1-216-809-11	METAL CHIP	100	5%	1/10W	R746	1-216-841-11	METAL CHIP	47K	5%	1/10W
R624	1-216-833-11	METAL CHIP	10K	5%	1/10W	R748	1-216-821-11	METAL CHIP	1K	5%	1/10W
R628	1-216-821-11	METAL CHIP	1K	5%	1/10W	R749	1-216-821-11	METAL CHIP	1K	5%	1/10W
R629	1-216-295-91	SHORT CHIP	0			R750	1-216-821-11	METAL CHIP	1K	5%	1/10W
R636	1-216-864-11	SHORT CHIP	0			R755	1-216-821-11	METAL CHIP	1K	5%	1/10W
R637	1-216-864-11	SHORT CHIP	0			R756	1-216-821-11	METAL CHIP	1K	5%	1/10W
R638	1-216-809-11	METAL CHIP	100	5%	1/10W	R760	1-216-809-11	METAL CHIP	100	5%	1/10W
R639	1-216-809-11	METAL CHIP	100	5%	1/10W	R761	1-216-809-11	METAL CHIP	100	5%	1/10W
R656	1-216-864-11	SHORT CHIP	0			R762	1-216-809-11	METAL CHIP	100	5%	1/10W
R657	1-216-841-11	METAL CHIP	47K	5%	1/10W	R763	1-216-809-11	METAL CHIP	100	5%	1/10W
R659	1-216-845-11	METAL CHIP	100K	5%	1/10W	R764	1-216-809-11	METAL CHIP	100	5%	1/10W
R662	1-216-841-11	METAL CHIP	47K	5%	1/10W	R765	1-216-809-11	METAL CHIP	100	5%	1/10W
R673	1-216-833-11	METAL CHIP	10K	5%	1/10W	R774	1-216-821-11	METAL CHIP	1K	5%	1/10W
R675	1-216-809-11	METAL CHIP	100	5%	1/10W	R775	1-216-841-11	METAL CHIP	47K	5%	1/10W
R678	1-216-864-11	SHORT CHIP	0			R789	1-216-809-11	METAL CHIP	100	5%	1/10W
R691	1-216-809-11	METAL CHIP	100	5%	1/10W	R790	1-216-809-11	METAL CHIP	100	5%	1/10W
R692	1-216-809-11	METAL CHIP	100	5%	1/10W	R791	1-216-809-11	METAL CHIP	100	5%	1/10W
R693	1-216-809-11	METAL CHIP	100	5%	1/10W	R792	1-216-823-11	METAL CHIP	1.5K	5%	1/10W (RU)
R694	1-216-809-11	METAL CHIP	100	5%	1/10W	R792	1-216-829-11	METAL CHIP	4.7K	5%	1/10W (EXCEPT RU)
R695	1-216-809-11	METAL CHIP	100	5%	1/10W	R793	1-216-829-11	METAL CHIP	4.7K	5%	1/10W
R696	1-216-809-11	METAL CHIP	100	5%	1/10W	△R901	1-219-759-11	METAL	1M	5%	1/2W
R697	1-216-809-11	METAL CHIP	100	5%	1/10W	△R903	1-215-929-11	METAL OXIDE	100K	5%	3W
R701	1-216-809-11	METAL CHIP	100	5%	1/10W	△R904	1-215-929-11	METAL OXIDE	100K	5%	3W
R702	1-216-833-11	METAL CHIP	10K	5%	1/10W	△R905	1-216-797-11	METAL CHIP	10	5%	1/10W
R703	1-216-821-11	METAL CHIP	1K	5%	1/10W	△R906	1-216-827-11	METAL CHIP	3.3K	5%	1/10W
R704	1-216-821-11	METAL CHIP	1K	5%	1/10W	△R907	1-216-833-11	METAL CHIP	10K	5%	1/10W
R705	1-216-833-11	METAL CHIP	10K	5%	1/10W	△R908	1-260-105-11	CARBON	3.3K	5%	1/2W
R706	1-216-809-11	METAL CHIP	100	5%	1/10W	△R909	1-216-845-11	METAL CHIP	100K	5%	1/10W
R707	1-216-809-11	METAL CHIP	100	5%	1/10W	△R910	1-216-825-11	METAL CHIP	2.2K	5%	1/10W
R709	1-216-833-11	METAL CHIP	10K	5%	1/10W						
R710	1-216-864-11	SHORT CHIP	0								

Ref. No.	Part No.	Description	Quantity	Percentage	Power	Remark	Ref. No.	Part No.	Description	Quantity	Percentage	Power	Remark
△ R911	1-216-813-11	METAL CHIP	220	5%	1/10W			MS-203 BOARD					
△ R912	1-216-363-00	METAL OXIDE	0.33	5%	2W			*****					
△ R914	1-214-789-00	METAL	0.1	10%	5W			< CONNECTOR >					
△ R918	1-216-864-11	SHORT CHIP	0										
△ R919	1-216-836-11	METAL CHIP	18K	5%	1/10W		CN001	1-815-412-11	CONNECTOR, FFC/FPC 5P				
△ R920	1-216-821-11	METAL CHIP	1K	5%	1/10W								
△ R921	1-215-904-61	METAL OXIDE	100K	5%	2W			< SWITCH >					
△ R922	1-216-793-11	METAL CHIP	4.7	5%	1/10W		S001	1-786-693-11	SWITCH, DETECTION (CHUK/TRAY DETECT)				
△ R923	1-216-829-11	METAL CHIP	4.7K	5%	1/10W			*****					
△ R924	1-216-864-11	SHORT CHIP	0										
△ R925	1-216-797-11	METAL CHIP	10	5%	1/10W			STBY BOARD					
△ R926	1-216-855-11	METAL CHIP	680K	5%	1/10W			*****					
△ R927	1-216-349-00	METAL OXIDE	1	5%	1W			< CONNECTOR >					
△ R929	1-249-478-11	CARBON	2.2	5%	1/2W								
△ R930	1-216-864-11	SHORT CHIP	0				CN804	1-506-481-11	PIN, CONNECTOR 2P				
R931	1-218-869-11	METAL CHIP	8.2K	0.5%	1/10W								
R932	1-218-883-11	METAL CHIP	33K	0.5%	1/10W			< SWITCH >					
R933	1-216-829-11	METAL CHIP	4.7K	5%	1/10W		S801	1-762-875-21	SWITCH, KEYBOARD (I/Ⓢ)				
R934	1-216-821-11	METAL CHIP	1K	5%	1/10W			*****					
R935	1-216-821-11	METAL CHIP	1K	5%	1/10W								
R936	1-216-853-11	METAL CHIP	470K	5%	1/10W			MISCELLANEOUS					
R937	1-216-833-11	METAL CHIP	10K	5%	1/10W			*****					
R938	1-216-821-11	METAL CHIP	1K	5%	1/10W		5	1-787-331-11	FAN, D.C.				
R939	1-218-859-11	METAL CHIP	3.3K	0.5%	1/10W		57	1-828-361-11	WIRE (FLAT TYPE) (19 CORE)				
R940	1-216-833-11	METAL CHIP	10K	5%	1/10W		△ 106	1-828-528-11	CORD, POWER				
R941	1-216-864-11	SHORT CHIP	0				110	1-830-464-11	WIRE (FLAT TYPE) (23 CORE)				
R943	1-216-864-11	SHORT CHIP	0				112	1-830-549-11	WIRE (FLAT TYPE) (5 CORE)				
R946	1-216-811-11	METAL CHIP	150	5%	1/10W		113	1-830-545-11	WIRE (FLAT TYPE) (11 CORE)				
R948	1-216-833-11	METAL CHIP	10K	5%	1/10W		114	1-830-548-11	WIRE (FLAT TYPE) (13 CORE)				
R949	1-216-821-11	METAL CHIP	1K	5%	1/10W		115	1-830-547-11	WIRE (FLAT TYPE) (7 CORE)				
R951	1-218-831-11	METAL CHIP	220	0.5%	1/10W		116	1-830-546-11	WIRE (FLAT TYPE) (11 CORE)				
R952	1-218-855-11	METAL CHIP	2.2K	0.5%	1/10W		△ 507	8-820-290-02	OPTICAL PICK-UP (KHM-310CAA/C2RP)				
R953	1-218-861-11	METAL CHIP	3.9K	0.5%	1/10W		△ F901	1-532-506-33	FUSE (T6.3AL/250V)				
R954	1-216-837-11	METAL CHIP	22K	5%	1/10W								
R955	1-216-817-11	METAL CHIP	470	5%	1/10W								
R956	1-216-821-11	METAL CHIP	1K	5%	1/10W								
R957	1-216-841-11	METAL CHIP	47K	5%	1/10W								
R958	1-216-821-11	METAL CHIP	1K	5%	1/10W								
R965	1-216-864-11	SHORT CHIP	0										
		< TRANSFORMER >											
△ T901	1-443-651-11	TRANSFORMER, CONVERTER											
△ T902	1-443-650-11	TRANSFORMER, CONVERTER											
		< THERMISTOR >											
△ TH901	1-805-842-21	THERMISTOR, NTC 6.0											
		< VARISTOR >											
△ VDR901	1-805-482-11	VARISTOR											
		< VIBRATOR >											
X450	1-795-660-21	QUARTZ CRYSTAL UNIT (49.152MHz)											
X502	1-795-058-21	VIBRATOR, CERAMIC (5MHz)											
