

# ICF-SW10

## SERVICE MANUAL

*US Model  
Canadian Model  
AEP Model  
UK Model  
E Model*



### SPECIFICATIONS

**Frequency range:**

FM: 87.6-108 MHz  
IF: 10.7 MHz  
SW1: 4.750-5.060 MHz  
SW2: 5.900-6.200 MHz  
SW3: 7.100-7.350 MHz  
SW4: 9.400-9.990 MHz  
SW5: 11.600-12.100 MHz  
SW6: 13.570-13.870 MHz  
SW7: 15.100-15.800 MHz  
SW8: 17.480-17.900 MHz  
SW9: 21.450-21.750 MHz  
MW: 530-1602 kHz  
LW: 153-279 kHz  
IF: 455 kHz

**Speaker:** Approx. 5.7 cm (2 1/4 inches) dia., 4Ω

**Power output:** 140 mW (at 10% harmonic distortion)

**Output:** Headphones jack (stereo minijack)

**Power requirements:** 3V DC, two R6 (size AA) batteries

DC IN 3V jack accepts: AC power adaptor AC-E30M (not supplied)

**Battery life:** Approx. 30 hours with Sony SUM-3 (NS)

**Dimensions:** Approx. 162 × 93.8 × 33.3 mm (w/h/d)

(6 1/2 × 3 3/4 × 1 5/16 inches)

**Mass:** Approx. 340 g (12 oz) incl. batteries

**Supplied accessory:** Short wave guide (1)

**Accessories not supplied:** AC power adaptor

\*AC-E30M

LW/MW/SW wide range antenna AN-1

\* The voltage of power supply is different depending on the country. Please buy an AC power adaptor in the country where the radio is to be used.

Design and specifications are subject to change without notice.

**FM Stereo/SW<sub>1-9</sub>/  
MW/LW 12 Band Receiver**



**SONY®**




## TABLE OF CONTENTS

<u>Section</u>	<u>Title</u>	<u>Page</u>
<b>1. GENERAL</b>	.....	3
<b>2. DISASSEMBLY</b>		
2-1. Rear Cabinet	.....	4
2-2. Main Chassis	.....	4
2-3. Dial Pointer Setting	.....	5
<b>3. ELECTRICAL ADJUSTMENTS</b>	.....	6
<b>4. DIAGRAMS</b>		
4-1. Printed Wiring Board	.....	8
4-2. Schematic Diagram	.....	11
<b>5. EXPLODED VIEWS</b>	.....	14
<b>6. ELECTRICAL PARTS LIST</b>	.....	15

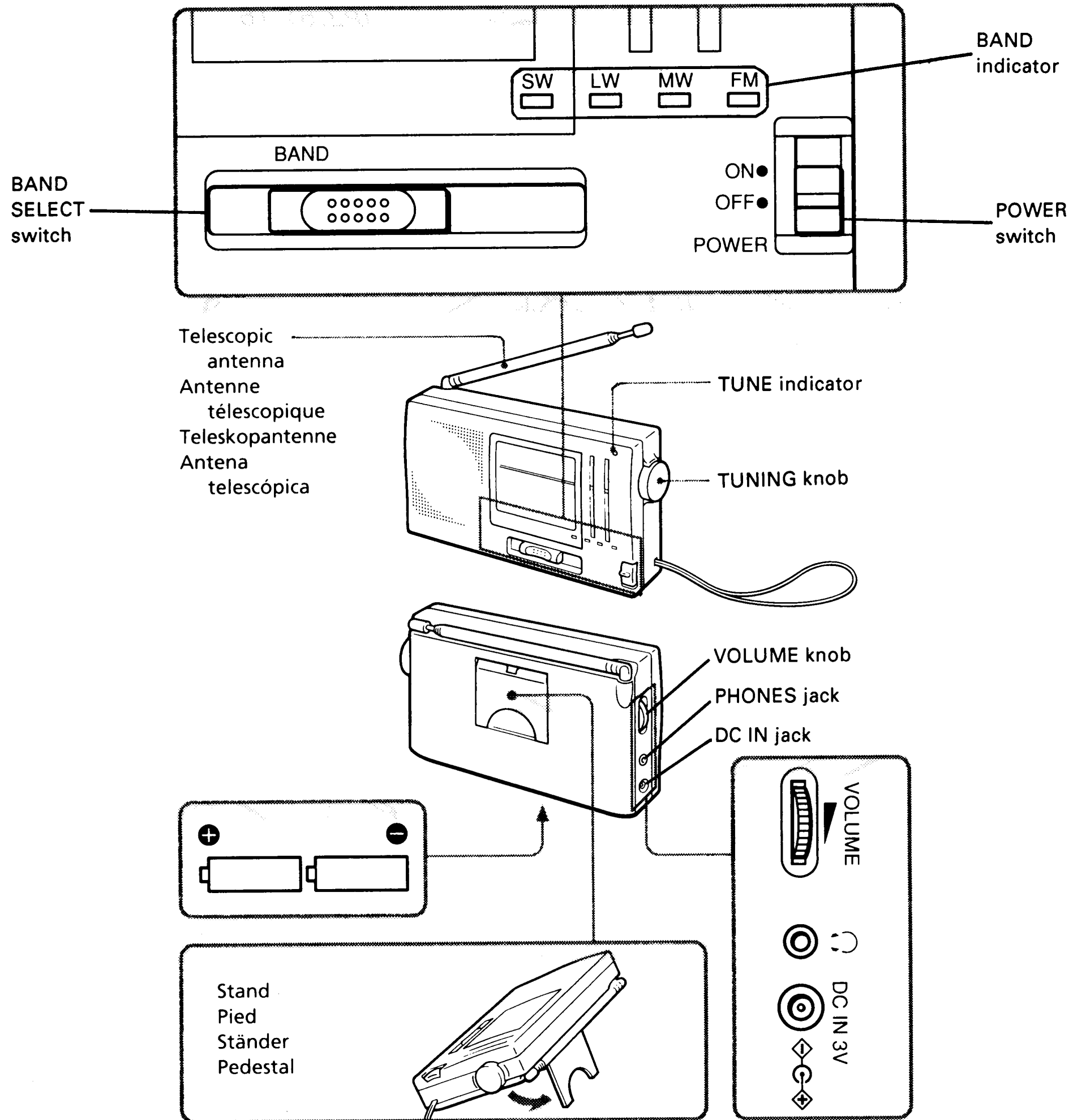
### SAFETY-RELATED COMPONENT WARNING!!

COMPONENTS IDENTIFIED BY MARK  OR DOTTED LINE WITH MARK  ON THE SCHEMATIC DIAGRAMS AND IN THE PARTS LIST ARE CRITICAL TO SAFE OPERATION. REPLACE THESE COMPONENTS WITH SONY PARTS WHOSE PART NUMBERS APPEAR AS SHOWN IN THIS MANUAL OR IN SUPPLEMENTS PUBLISHED BY SONY.

### ATTENTION AU COMPOSANT AYANT RAPPORT À LA SÉCURITÉ!

LES COMPOSANTS IDENTIFIÉS PAR UNE MARQUE  SUR LES DIAGRAMMES SCHÉMATIQUES ET LA LISTE DES PIÈCES SONT CRITIQUES POUR LA SÉCURITÉ DE FONCTIONNEMENT. NE REMPLACER CES COMPOSANTS QUE PAR DES PIÈCES SONY DONT LES NUMÉROS SONT DONNÉS DANS CE MANUEL OU DANS LES SUPPLÉMENTS PUBLIÉS PAR SONY.

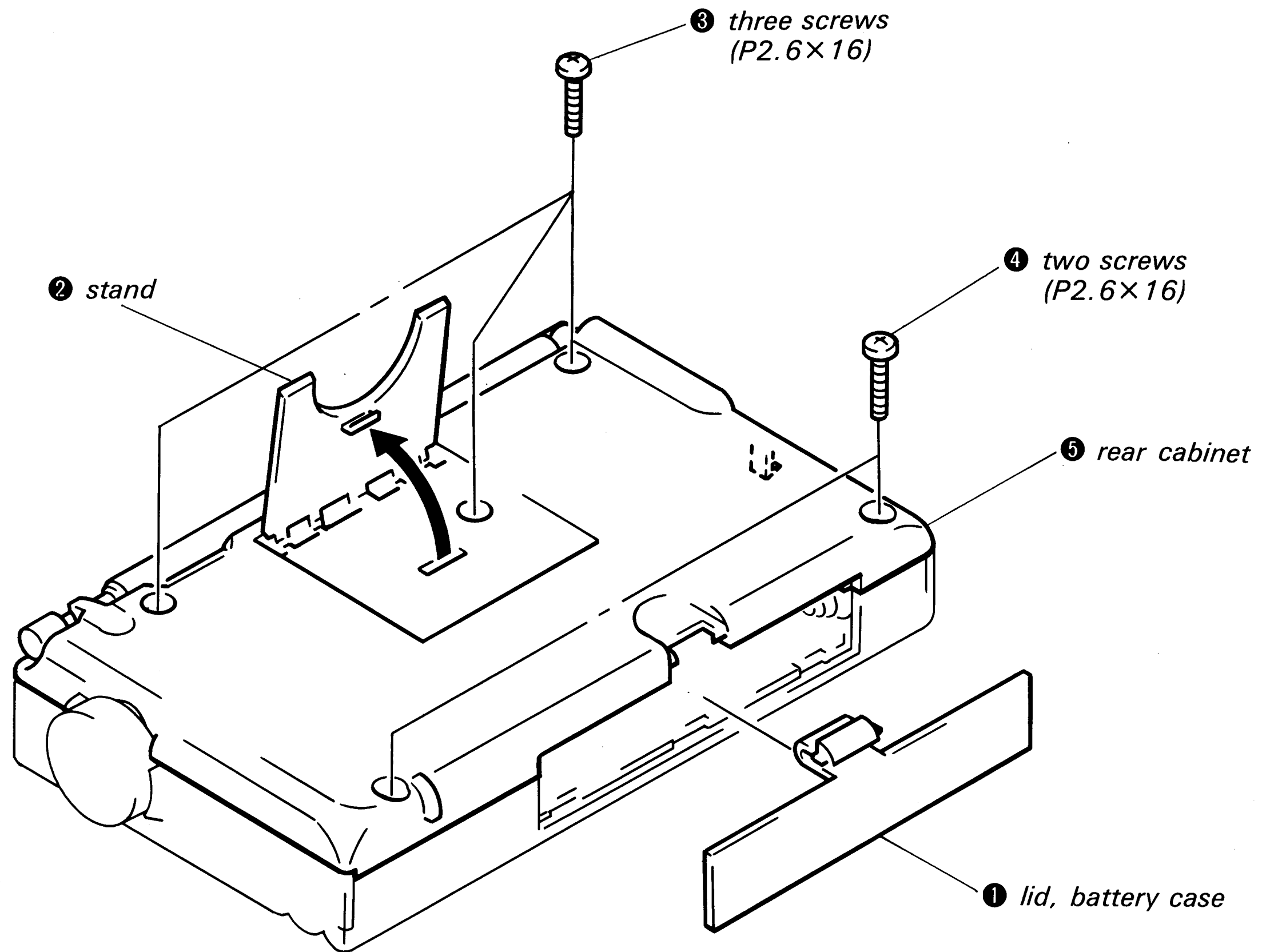
# SECTION 1 GENERAL



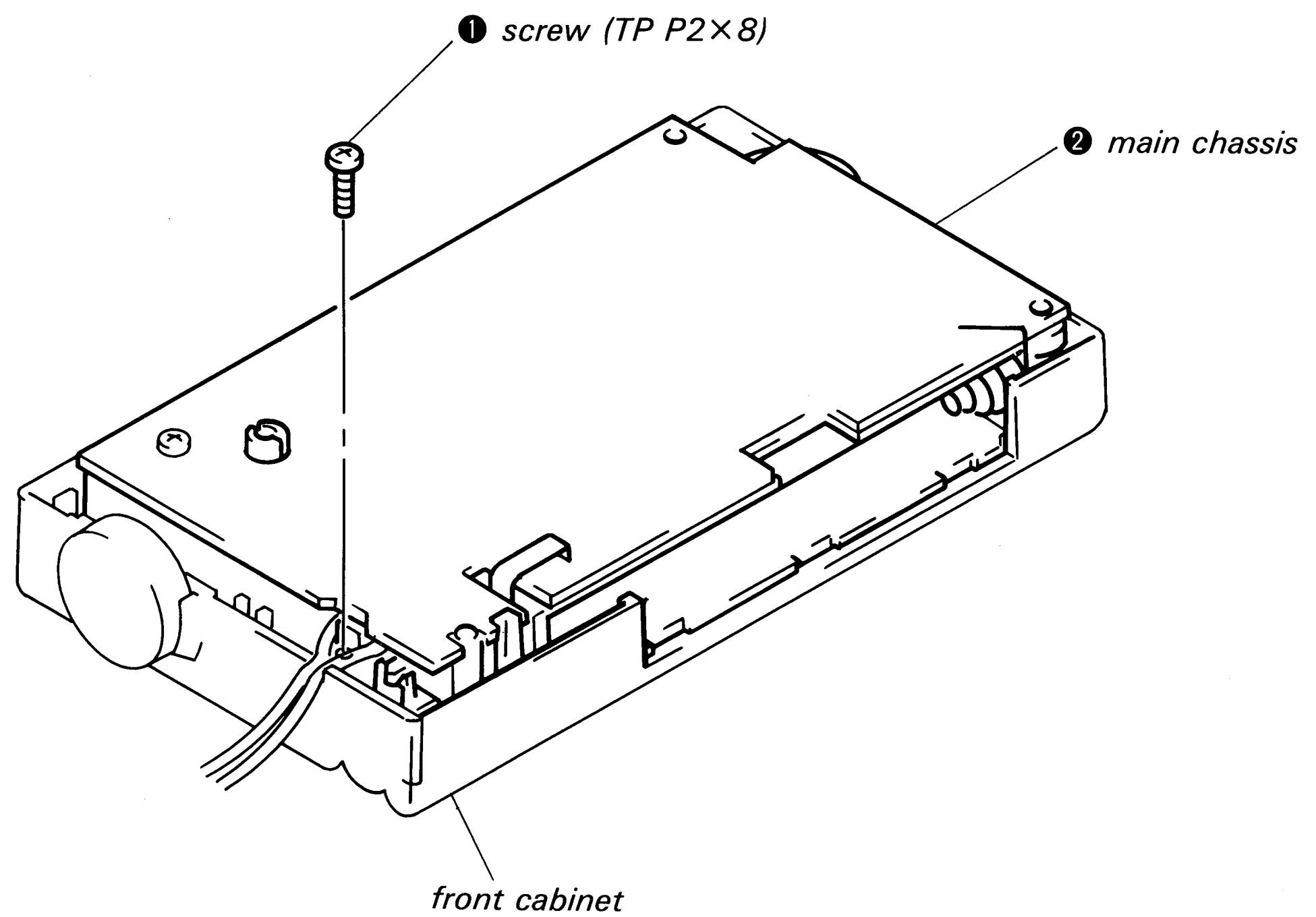
## SECTION 2 DISASSEMBLY

**NOTE:** Follow the disassembly procedure in the numerical order given.

### 2-1. REAR CABINET



### 2-2. MAIN CHASSIS



Ref.No.	Part No.	Description				Remark
R25	1-216-206-00	METAL GLAZE	2.2K	5%	1/8W	
R26	1-216-174-00	METAL GLAZE	100	5%	1/8W	
R27	1-216-234-00	METAL GLAZE	33K	5%	1/8W	
R28	1-216-174-00	METAL GLAZE	100	5%	1/8W	
R29	1-216-001-00	METAL CHIP	10	5%	1/10W	
R30	1-216-093-00	METAL CHIP	68K	5%	1/10W	
R31	1-216-093-00	METAL CHIP	68K	5%	1/10W	
R32	1-216-093-00	METAL CHIP	68K	5%	1/10W	
R33	1-216-033-00	METAL CHIP	220	5%	1/10W	
R34	1-216-099-00	METAL GLAZE	120K	5%	1/10W	
R35	1-216-049-00	METAL GLAZE	1K	5%	1/10W	
R36	1-216-049-00	METAL GLAZE	1K	5%	1/10W	
R37	1-216-037-00	METAL GLAZE	330	5%	1/10W	

< VARIABLE RESISTOR >

RV1	1-228-995-00	RES, ADJ, METAL 22K
RV2	1-238-555-11	RES, VAR, CARBON 50K (VOLUME)

< SWITCH >

S1	1-692-846-11	SWITCH, SLIDE (BAND)
S2	1-571-850-81	SWITCH, SLIDE (POWER)

< TRANSFORMER >

T1	1-416-021-11	COIL (AM IFT) (455KHz)
----	--------------	------------------------

\*\*\*\*\*

MISCELLANEOUS  
\*\*\*\*\*

ANT1	1-501-222-71	ANTENNA, TELESCOPIC (FM)
SP901	1-544-517-11	SPEAKER

\*\*\*\*\*

ACCESSORIES & PACKING MATERIALS  
\*\*\*\*\*

- 3-758-269-11 MANUAL, INSTRUCTION (ENGLISH, FRENCH, GERMAN, SPANISH, DUTCH, SWEDISH, ITALIAN PORTUGUESE) (EXCEPT Saudi Arabia)
- 3-758-269-71 MANUAL, INSTRUCTION (ENGLISH, FRENCH, GERMAN, SPANISH, DUTCH, ARABIC, ITALIAN, PORTUGUESE) (Saudi Arabia)

- \* 3-912-863-01 GUIDE, SHOOT WAVE
- \* 3-913-013-01 INDIVIDUAL CARTON

\*\*\*\*\*

\*\*\*\*\*  
**HARDWARE LIST**  
\*\*\*\*\*

- #1 7-685-105-19 TPG +P 2X8, TYPE 2 N-S
- #2 7-685-138-19 SCREW +P 2,6X16 TYPE 2 N-S
- #3 7-685-534-19 SCREW +BTP 2,6X8 TYPE 2 N-S

