

# STEREO TURNTABLE SYSTEM

# PS-212

## SUPPLEMENT

Subject: Production Changes

*US Model*  
*Canadian Model*  
*AEP Model*  
*UK Model*  
*E Model*

This supplement updates the Service Manual to include production changes.

File this supplement with the Service Manual.

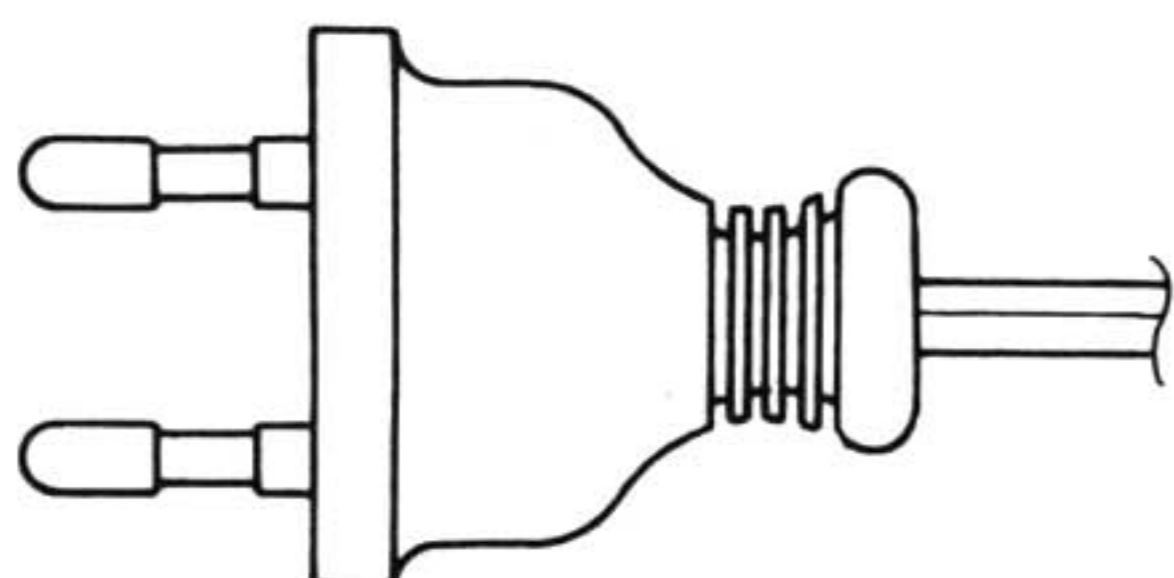
No. 2  
June, 1979

Model	Serial No.
AEP	533,901 and later
E1	415,001 and later
E2	457,001 and later
UK	605,001 and later
US	838,001 and later
Canadian	73,501 and later

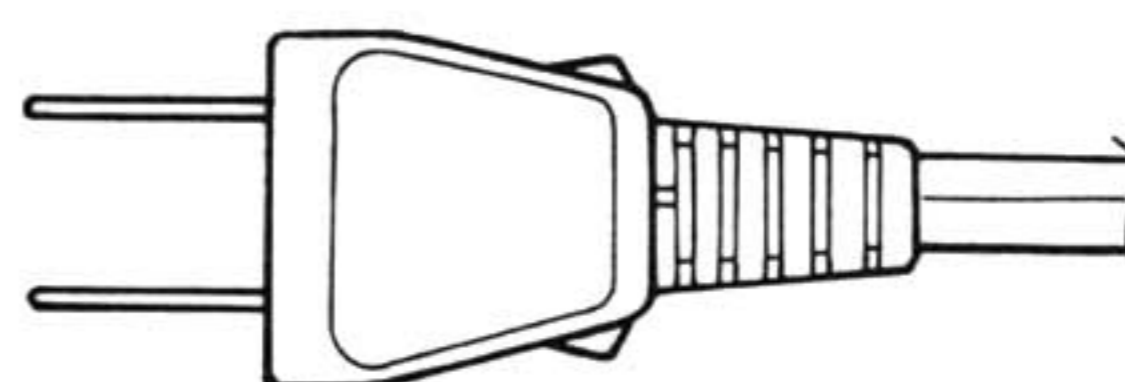
### MODEL IDENTIFICATION (E MODEL)

— Power Cord —

E1 model: euro-plug



E2 model: parallel-blade plug

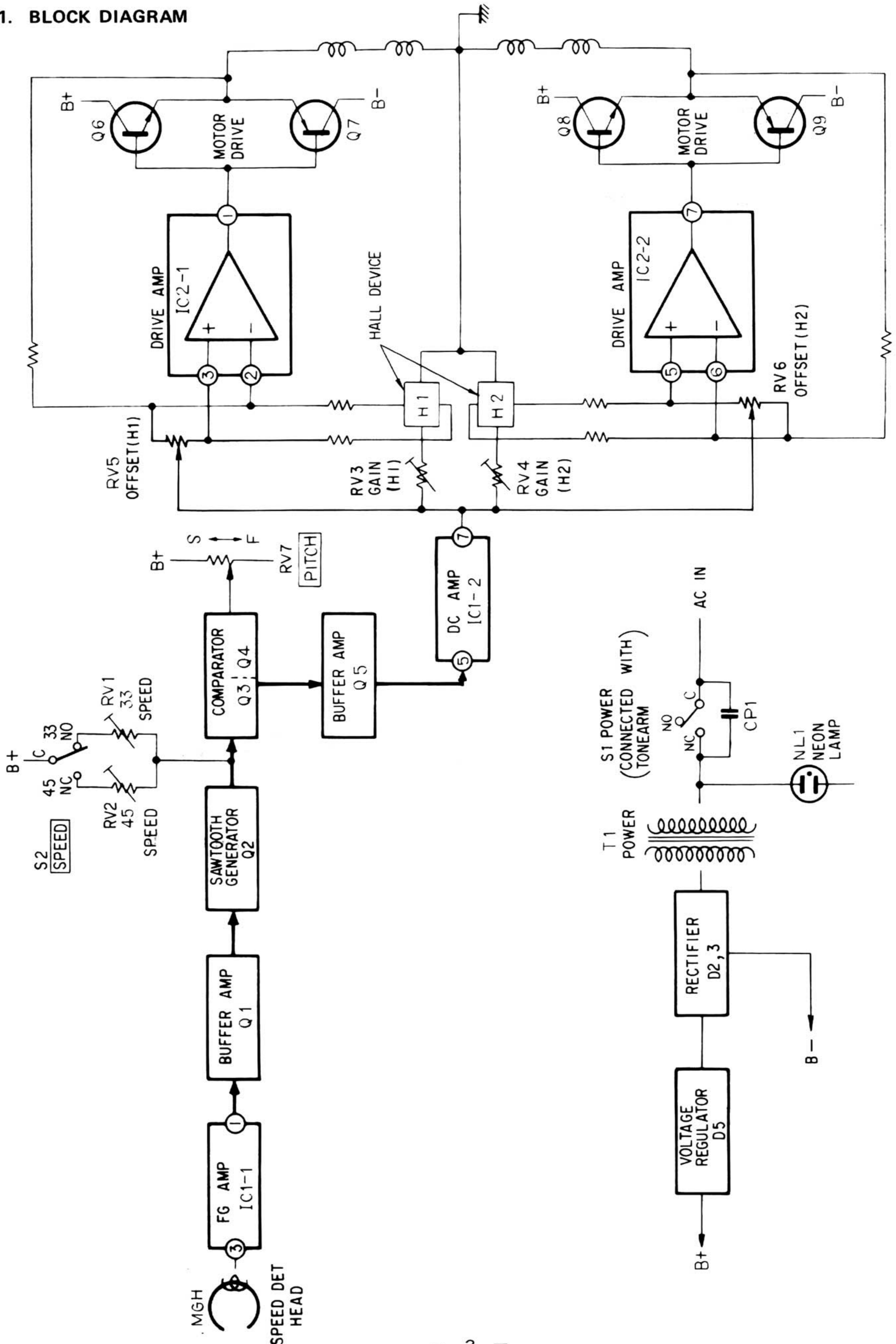


# SONY<sup>®</sup>

---

# SERVICE MANUAL

1. BLOCK DIAGRAM

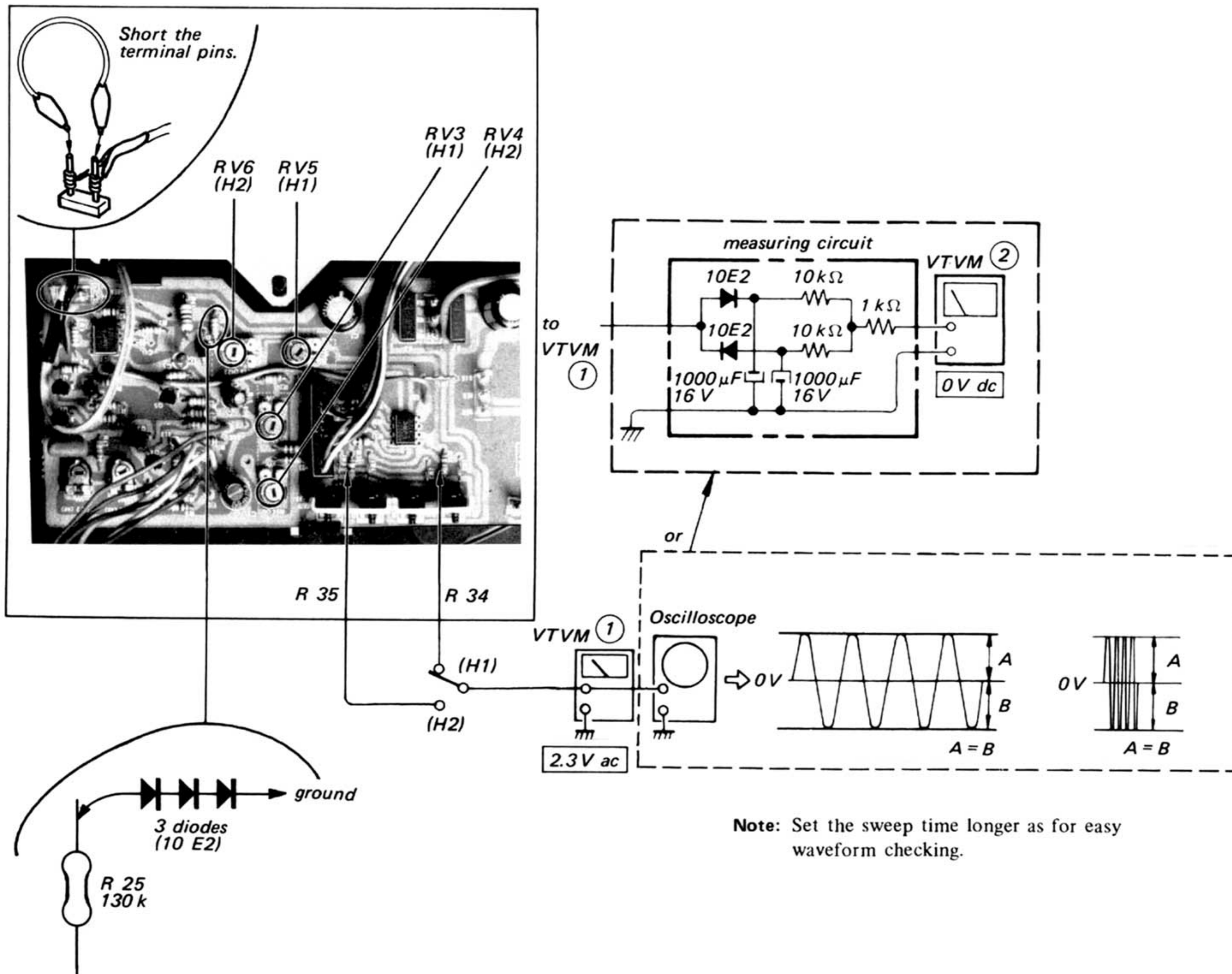


**2. ADJUSTMENT**

**Motor Amp Offset Adjustment and Hall Device Gain Adjustment**

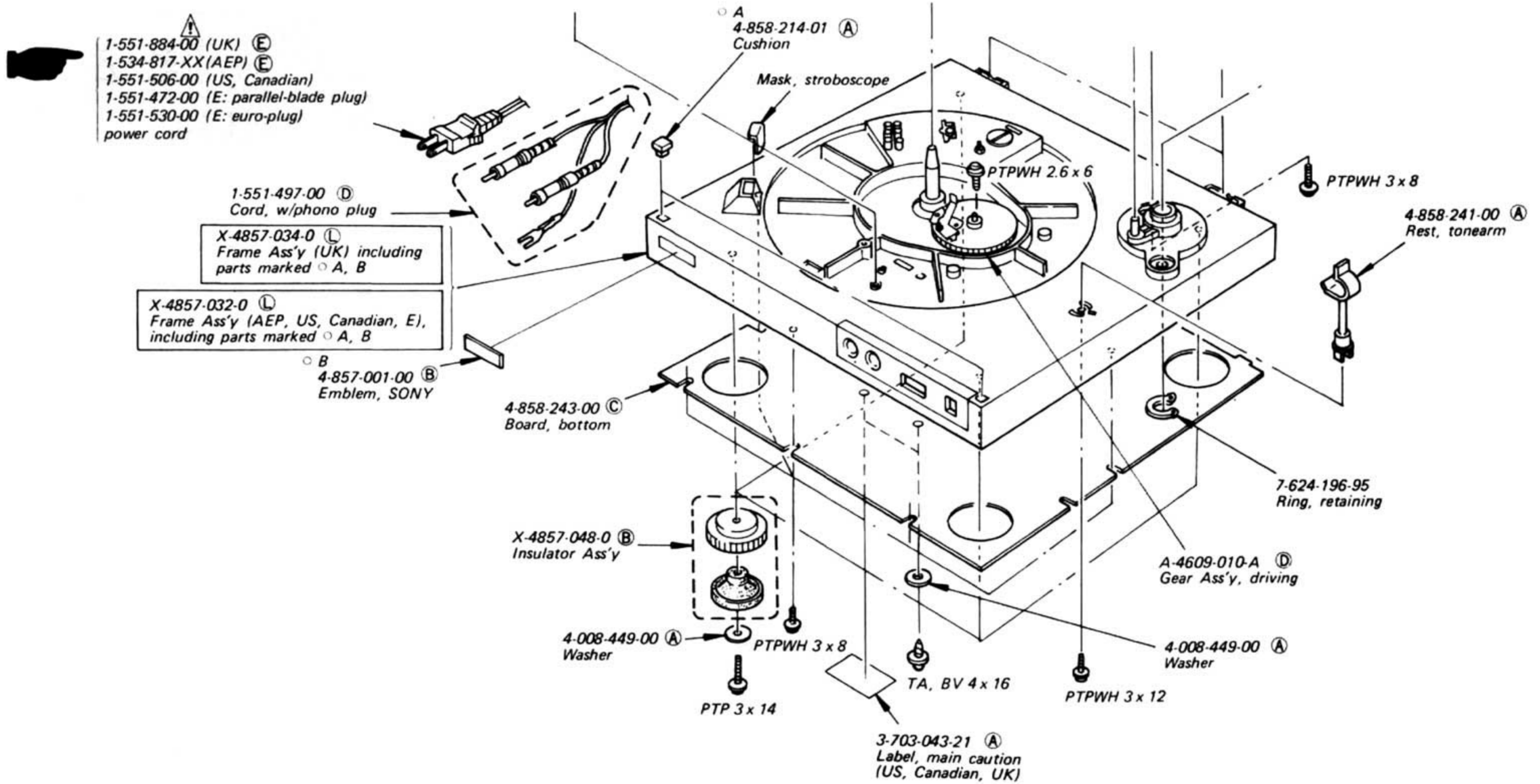
(Refer to the Service Manual for the other adjustments.)

1. Short the terminal pins as shown.
2. Connect three diodes(10E2) as shown.
3. Connect VTVM (2) or oscilloscope to H1 and adjust RV5 for 0 V dc VTVM reading or so that the waveform on oscilloscope becomes as shown.
4. Connect VTVM (1) to H1 and adjust RV3 for 2.3 V ac reading on VTVM.
5. Connect VTVM (2) or oscilloscope to H2 and adjust RV6 for 0 V dc VTVM reading or so that the waveform on oscilloscope becomes as shown.
6. Connect VTVM (1) to H2 and adjust RV4 for 2.3 V ac reading on VTVM.



**3. EXPLODED VIEW (Refer to the Service Manual for the other exploded views.)**

 : Changed portion.



**Note: The components identified by shading and mark ⚠ are critical for safety. Replace only with part number specified.**

**Note: Les composants identifiés par un tramé et une marque ⚠ sont critiques pour la sécurité. Ne les remplacer que par une pièce portant le numéro spécifié.**

A B C D E F G

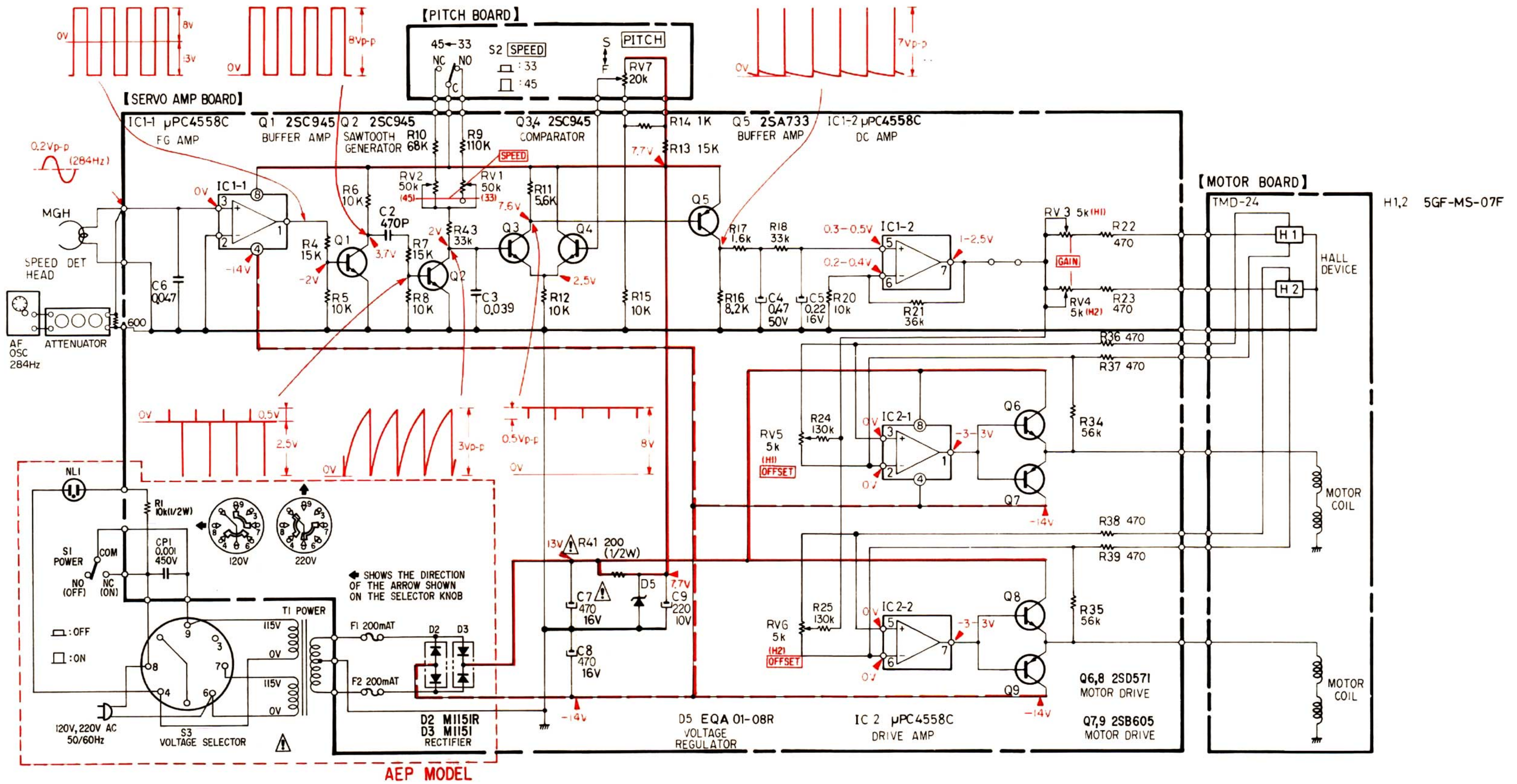
1

2

3

4

5



AEP MODEL

E MODEL

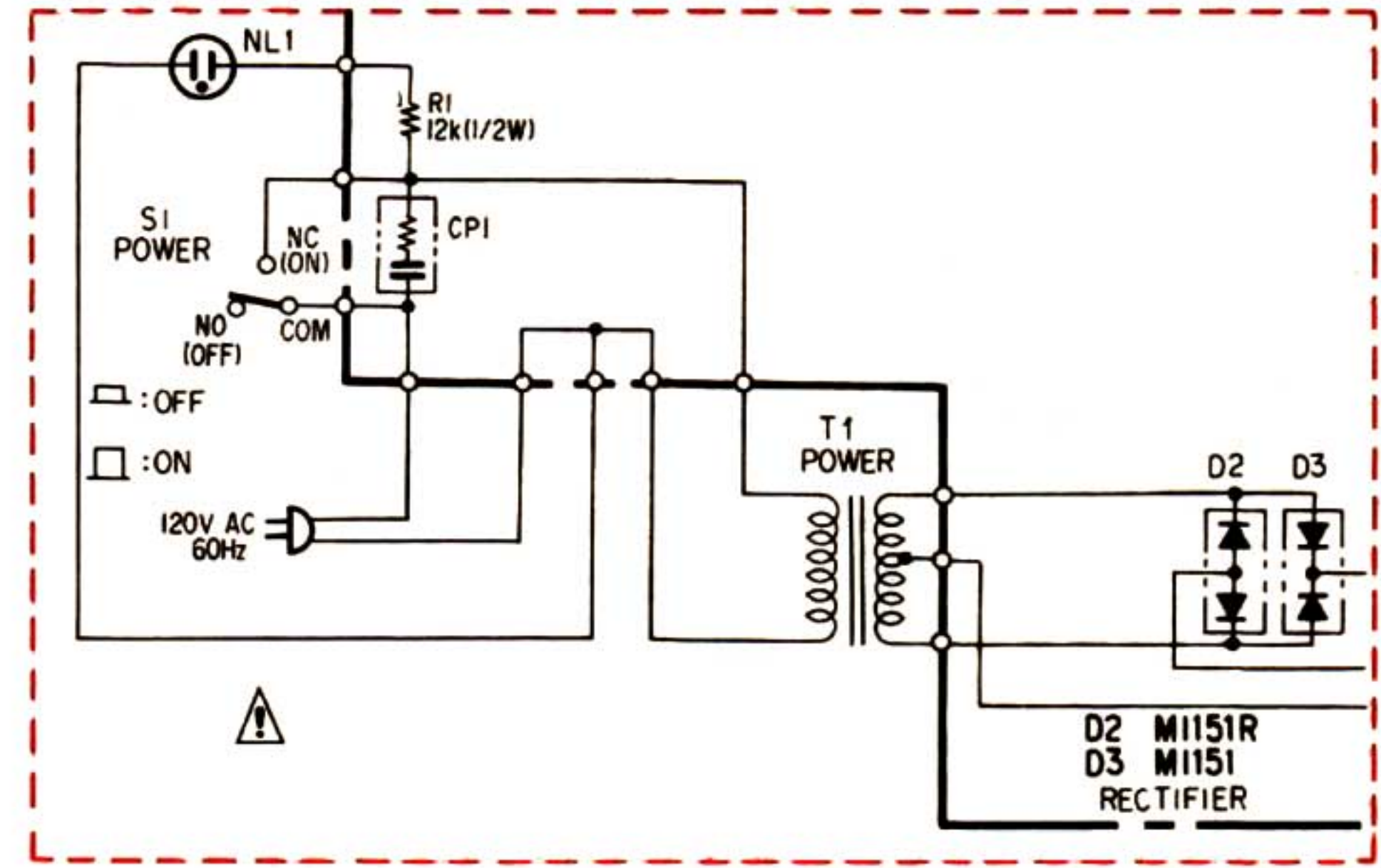
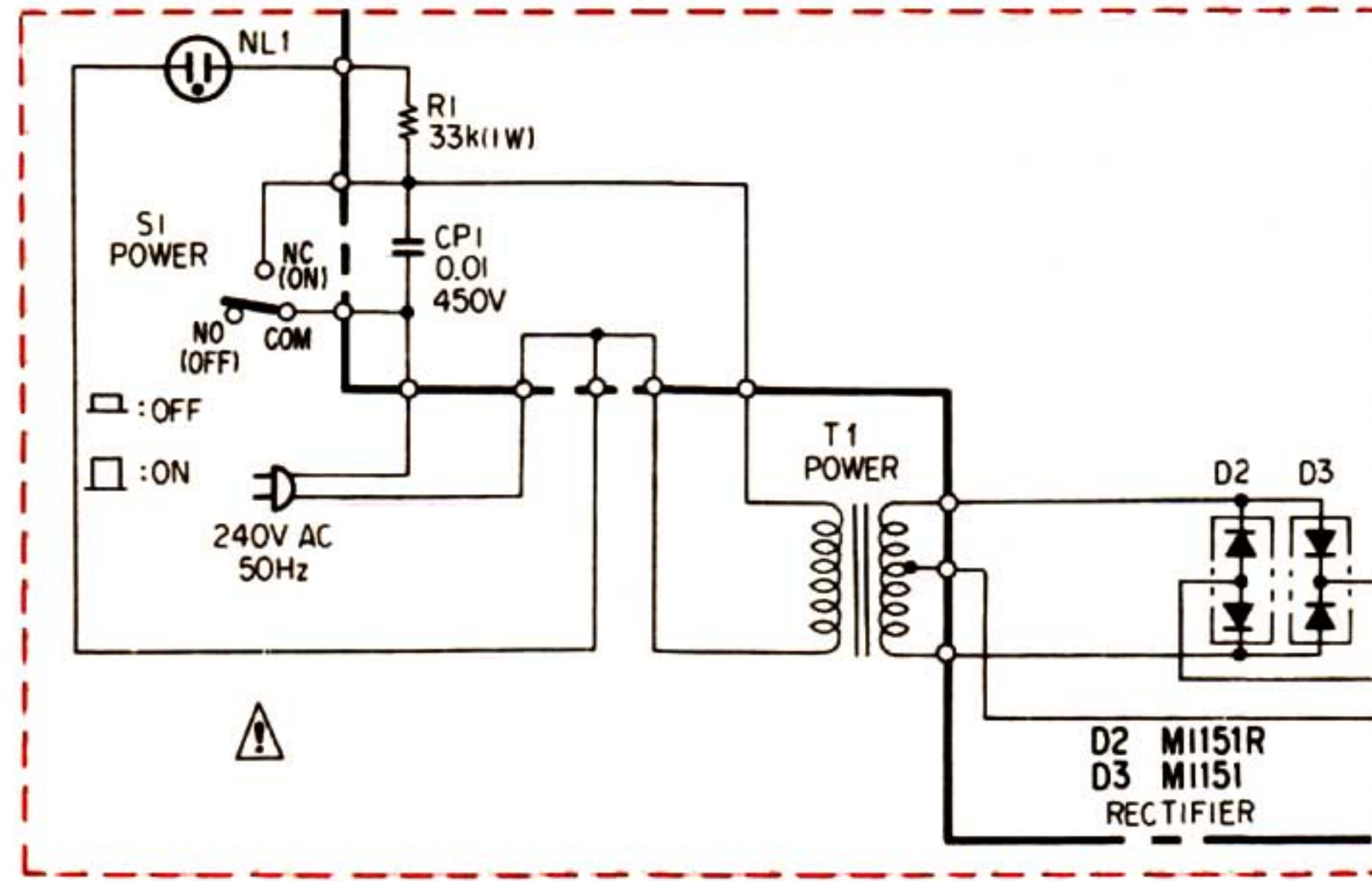
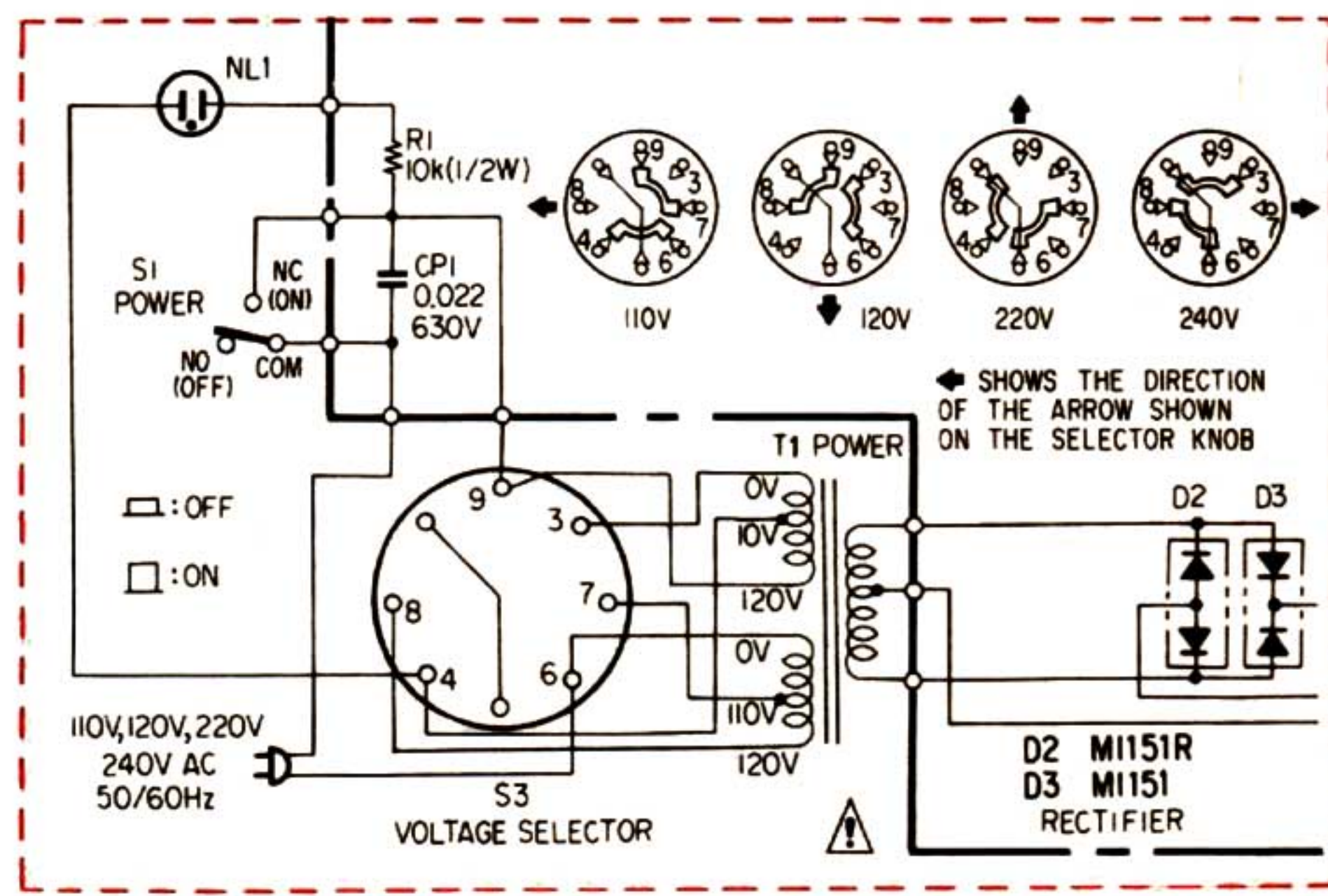
UK MODEL

US, CANADIAN MODEL

Note:

- All capacitors are in  $\mu\text{F}$  unless otherwise noted.  $\text{pF}$ :  $\mu\text{F}$  50WV or less are not indicated except for electrolytics.
- All resistors are in ohms,  $\frac{1}{4}\text{W}$  unless otherwise noted.  $\text{k}\Omega$ : 1000 $\Omega$ ;  $\text{M}\Omega$ : 1000  $\text{k}\Omega$
- All variable and adjustable resistors have characteristic curve B, unless otherwise noted.
- ● : B+ bus.
- : panel designation.
- ● : adjustment for repair.
- : B- bus.
- Readings are taken under no-signal conditions at 33 rpm with a VOM (20  $\text{k}\Omega/\text{V}$ ).
- Switch

Ref. No.	Switch	Position
S1	POWER	OFF
S2	SPEED	33
S3	VOLTAGE SELECTOR	



Note: Les composants identifiés par un tramé et une marque  $\Delta$  sont critiques pour la sécurité. Ne les remplacer que par une pièce portant le numéro spécifié.

Note: The components identified by shading and mark  $\Delta$  are critical for safety. Replace only with part number specified.

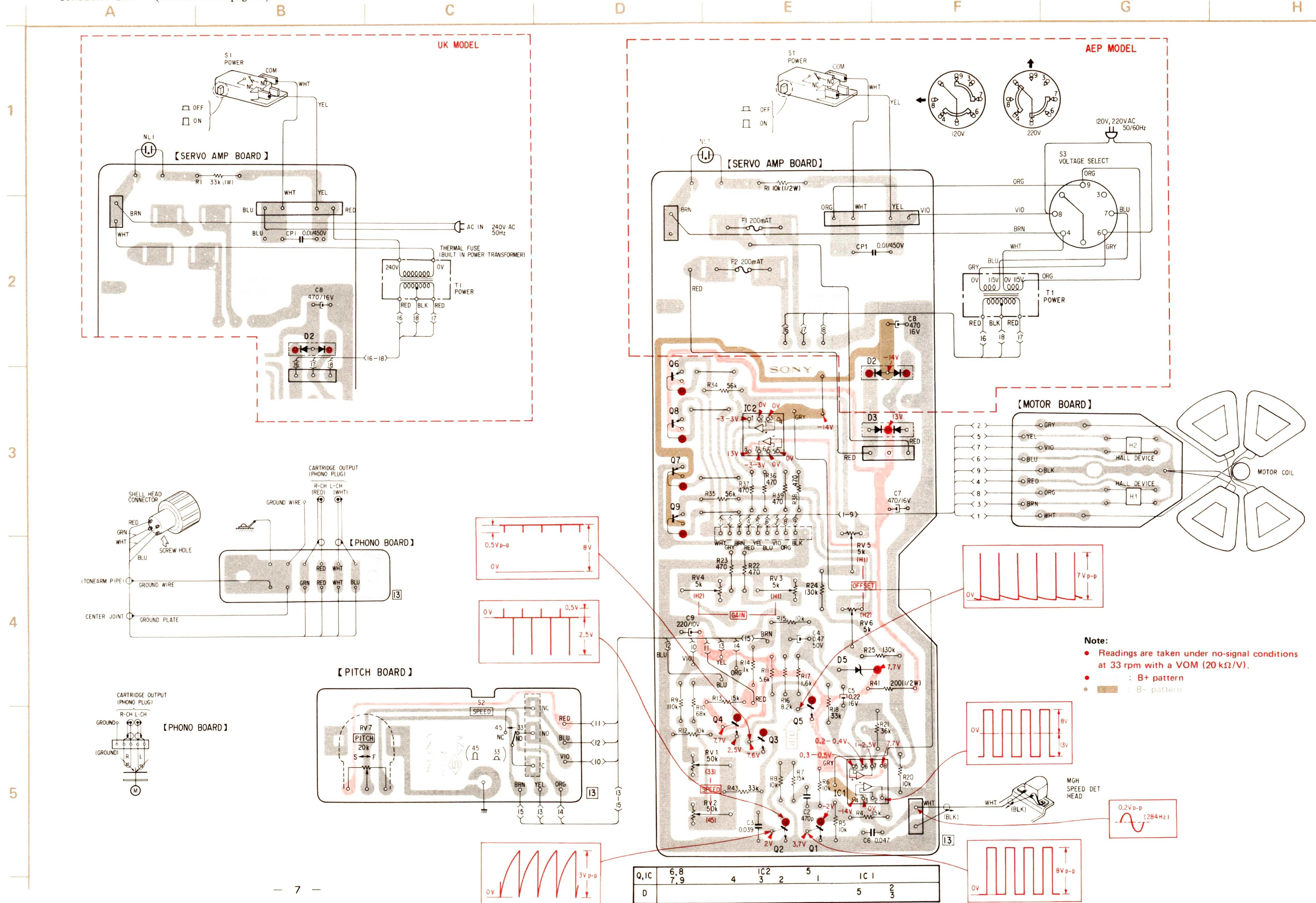
5. MOUNTING DIAGRAM

- Conductor Side - (Continued on page 9.)

SUPPLEMENT No. 2

PS-212 PS-212

SUPPLEMENT No. 2





**6. ELECTRICAL PARTS LIST**  
(For new models only.)

: Changed portion.

**Note:** Circled letters (A to Z) are applicable to European models only.

Ref. No.      Part No.      Description

**SEMICONDUCTORS**

**Transistors**

⇒ Q1-4	8-729-663-47	Ⓒ	2SC1364
⇒ Q5	8-729-612-77	Ⓑ	2SA1027R
Q6,8	8-729-157-11	Ⓑ	2SD571
Q7,9	8-729-160-51	Ⓑ	2SB605

**ICs**

IC1,2	8-759-145-58	Ⓓ	μPC4558C
-------	--------------	---	----------

**Diodes**

⇒ D2	8-719-501-34	Ⓒ	S3VC40R
⇒ D3	8-719-500-34	Ⓒ	S3VC40
⇒ D5	8-719-931-08	Ⓑ	EQB01-08

**Hall Devices**

H1,2	8-719-905-07	Ⓒ	5GF-MS-07F
------	--------------	---	------------

**TRANSFORMERS**

T1	{	1-446-099-00	POWER (E model)
		1-446-100-00	Ⓗ POWER (UK model)
		1-446-101-00	POWER (US, Canadian model)
		1-446-130-00	Ⓓ POWER (AEP model)

**CAPACITORS**

All capacitors are in μF unless otherwise noted.  
50WV or less are not indicated except for electrolytics. p: μμF, elect: electrolytic

C2	1-102-114-00	Ⓐ	470p	ceramic
C3	1-108-360-00	Ⓐ	0.039	mylar
C4	1-121-726-00	Ⓐ	0.47	50V elect
C5	1-131-453-00	Ⓑ	0.22	16V tantalum
C6	1-101-006-00	Ⓐ	0.047	ceramic
C7,8	1-123-323-00	Ⓑ	470	16V elect
C9	1-123-308-00	Ⓑ	220	10V elect

⇒ : Due to standardization, interchangeable replacements may be substituted for parts specified in the diagrams.

Ref. No.      Part No.      Description

CPI	{	1-129-718-00	0.022	630V	(E model)
		1-130-196-00	Ⓒ	0.01	450V polypropylene (AEP, UK model)
		1-231-326-00			Encapsulated Component (US model)
		1-231-341-00			Encapsulated Component (Canadian model)

**RESISTORS**

All resistors are in ohms. Common ¼W carbon resistors are omitted. Check schmatic diagram for values.

R1	{	1-213-161-00	Ⓑ	33 k	1 W	(UK model)
		1-244-897-00	Ⓐ	10 k	½W	(E, AEP model)
		1-244-899-00	Ⓐ	12 k	½W	(US, Canadian model)
R41	1-244-856-00	Ⓐ	200	½W		
RV1,2	{	1-226-238-00	Ⓐ	50 k,	adjustable;	speed
		1-226-235-00	Ⓐ	5 k,	adjustable;	gain, offset
		1-535-502-XX	Ⓐ	20 k,	variable;	PITCH

**SWITCHES**

S1	1-516-657-00		Miniature, POWER (E, US, Canadian model)
S1	1-516-889-00	Ⓓ	Miniature, POWER (AEP, UK model)
S2	1-552-414-00	Ⓑ	Miniature, SPEED
S3	1-526-576-00	Ⓔ	Voltage Selector (E, AEP model)

**MISCELLANEOUS**

F1,2	1-532-387-00	Ⓑ	Fuse, 200 mA (AEP model)
MGH	1-543-093-00	Ⓔ	Head, speed det
NL1	1-519-135-11	Ⓐ	Lamp, neon
	X-4857-021-0	Ⓓ	Motor Ass'y
	1-462-159-00	Ⓑ	Coil, motor
	1-534-817-XX	Ⓓ	Cord, power (AEP model)
	1-551-472-00		Cord, power (E model: parallel-blade plug)
	1-551-497-00	Ⓓ	Cord, w/phono plug (AEP, UK model)
	1-551-506-00		Cord, power (US, Canadian model)

**Note:** The components identified by shading and mark are critical for safety. Replace only with part number specified.

**Note:** Les composants identifiés par un tramé et une marque sont critiques pour la sécurité. Ne les remplacer que par une pièce portant le numéro spécifié.



## SUPPLEMENT No. 2

**Note:** Circled letters ( A to Z ) are applicable to European models only.

<u>Ref. No.</u>	<u>Part No.</u>	<u>Description</u>
	⚠ 1-551-530-00	Cord, power (E model: euro-plug)
	1-551-572-00	(A) Wire Ass'y, ground (AEP, UK model)
	⚠ 1-551-884-00	(E) Cord, power (UK model)
	1-561-013-00	(E) Connector, neck cylinder
<b>E model:</b>		
	1-549-082-21	Cartridge, VL-14GSII
	including;	
	1-549-083-00	Stylus, ND-14G
<b>AEP, UK model:</b>		
	X-4857-040-1	(F) Head Shell Ass'y
	1-549-088-00	(L) Cartridge, VL-34G
	including;	
	1-549-074-00	(L) Stylus, ND-134G
	1-551-248-11	(A) Lead Wire Ass'y (red)
	1-551-248-21	(A) Lead Wire Ass'y (green)
	1-551-248-31	(A) Lead Wire Ass'y (white)
	1-551-552-00	(B) Lead Wire Ass'y (blue)
<b>Canadian model:</b>		
	X-4844-012-0	Head Shell Ass'y
	including;	
	X-2089-618-1	Lead Wire Ass'y (red)
	X-2089-618-2	Lead Wire Ass'y (green)
	X-2089-618-3	Lead Wire Ass'y (white)
	X-2089-618-4	Lead Wire Ass'y (blue)
	1-549-085-00	Cartridge, VL-33G
	including;	
	1-549-087-00	Stylus, ND-136G
<b>US model:</b>		
	X-4857-040-1	Head Shell Ass'y
	1-549-085-00	Cartridge, VL-33G
	including;	
	1-549-087-00	Stylus, ND-136G
	1-551-248-11	Lead Wire Ass'y (red)
	1-551-248-21	Lead Wire Ass'y (green)
	1-551-248-31	Lead Wire Ass'y (white)
	1-551-552-00	Lead Wire Ass'y (blue)

### ACCESSORIES & PACKING MATERIALS

<u>Part No.</u>	<u>Description</u>
3-701-616-00	(A) Bag, plastic; Main Weight Ass'y
3-701-630-00	(A) Bag, plastic; Service Manual, 45 rpm Adaptor, Gauge (All models except E model), Screws and Nuts (Canadian model without cartridge)
3-701-634-00	(A) Bag, plastic; turntable, rubber mat, spacer
3-701-806-00	(A) Adaptor, 45 rpm
3-770-555-11	(C) Manual, instruction (AEP, UK model)
3-770-555-21	Manual, instruction (US model)
3-770-555-31	Manual, instruction (Canadian model)
3-770-555-51	Manual, instruction (E model)
3-793-395-14	(A) Gauge, tracking error check (AEP, UK, US, Canadian model)
3-794-123-11	(A) Label, caution (for drive gear)
3-794-233-21	Leaflet (US model)
4-852-204-00	(A) Spacer
4-858-286-00	(D) Carton
4-858-287-00	(A) Cushion (upper)
4-858-288-00	(B) Cushion (bottom)
4-858-289-00	(B) Holder, turntable
4-858-290-00	(A) Sheet, dust cover protection
4-858-292-00	(C) Bag, protection

**Note:** The components identified by shading and mark ⚠ are critical for safety. Replace only with part number specified.

**Note:** Les composants identifiés par un tramé et une marque ⚠ sont critiques pour la sécurité. Ne les remplacer que par une pièce portant le numéro spécifié.

**Sony Corporation**

1979

— 12 —