

# PS-LX200H

## SERVICE MANUAL

US Model

Ver 1.1 2001.06



### SPECIFICATIONS

#### Motor and Platter

Drive system	Belt-drive
Motor	DC motor
Platter	295 mm dia. (aluminum, die-cast)
Speeds	33 1/3 and 45 r/min, 2 speed
Wow and flutter	Less than 0.25% (WRMS)
Signal to noise ratio	More than 50 dB (DIN-B)

#### Tone Arm

Type	Dynamic balanced straight shaped with soft damping control
Effective arm length	195 mm

#### General

Power requirements	U.S.A.: 120 V AC, 60 Hz Other countries: 220 ~ 230 V, 50/60 Hz
Power consumption	2 W
Dimensions	Approx. 420 x 100 x 342 mm (w/h/d)
Mass	2.7 kg

#### Supplied Accessories

45 r/min adaptor (1)  
Platter (with drive belt) (1)  
Rubber mat (1)  
Dust cover (1)

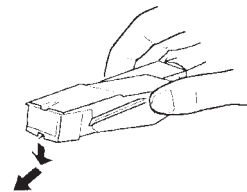
#### Replacing the Stylus

The life expectancy of the stylus tip is about 500 hours. To preserve maximum sound quality and avoid damage to your records, we recommend replacing the stylus within this time limit.

Additional replacement styli (ATN3600LX) are available from your Sony dealer.

#### To replace the stylus

- 1 Turn off the amplifier.
- 2 Grasp the stylus holder and pull it away from the body of the cartridge.
- 3 Insert the new stylus by pushing it into the cartridge receptacle.



Design and specifications are subject to change without notice.

## STEREO TURNTABLE SYSTEM

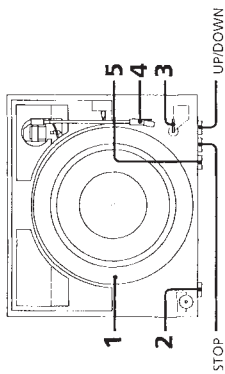
9-922-956-12  
2001F0200-1  
© 2001.6

**Sony Corporation**  
Home Audio Company  
Shinagawa Tec Service Manual Production Group

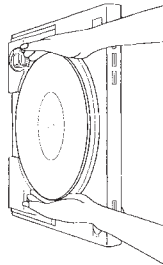
# SONY®

## Operations

### Playing a Record



- 1 Place a record on the platter.

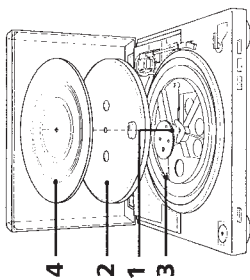


#### Note

Place only one record on the platter at a time. If two or more records are stacked on the platter, the stylus will not make proper contact with the grooves and the quality of reproduction will be impaired.

- 2 Press the Speed select button to select the speed.
- 3 Set the SIZE SELECT to 17 or 30.
- 4 Remove the protective cover from the cartridge, and close the dust cover.
- 5 Press START.  
The platter starts rotating.
- 6 Adjust the volume on your amplifier.

### Assembling the Turntable



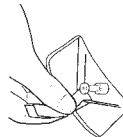
- 1 Move the metallic parts inside the larger gear in the direction of arrows.



#### When the power is supplied after assembling or moving the turntable

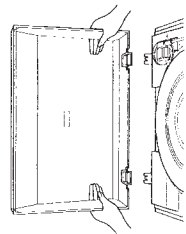
The turntable sometimes rotates and the tone arm descends to the platter even if START is not pressed. If this occurs, press STOP to return the tone arm to the arm stand.

- 2 Carefully, place the platter on the spindle.
- 3 Using the ribbon, loop the drive belt around the motor pulley. After looping the belt, do not forget to remove the ribbon.
- 4 Place the rubber mat on the platter.



### Installing the dust cover

Insert the hinges on the dust cover into the hinge pockets on the rear of the cabinet.



## SAFETY-RELATED COMPONENT WARNING !!

COMPONENTS IDENTIFIED BY MARK  $\triangle$  OR DOTTED LINE WITH MARK  $\triangle$  ON THE SCHEMATIC DIAGRAMS AND IN THE PARTS LIST ARE CRITICAL TO SAFE OPERATION. REPLACE THESE COMPONENTS WITH SONY PARTS WHOSE PART NUMBERS APPEAR AS SHOWN IN THIS MANUAL OR IN SUPPLEMENTS PUBLISHED BY SONY.

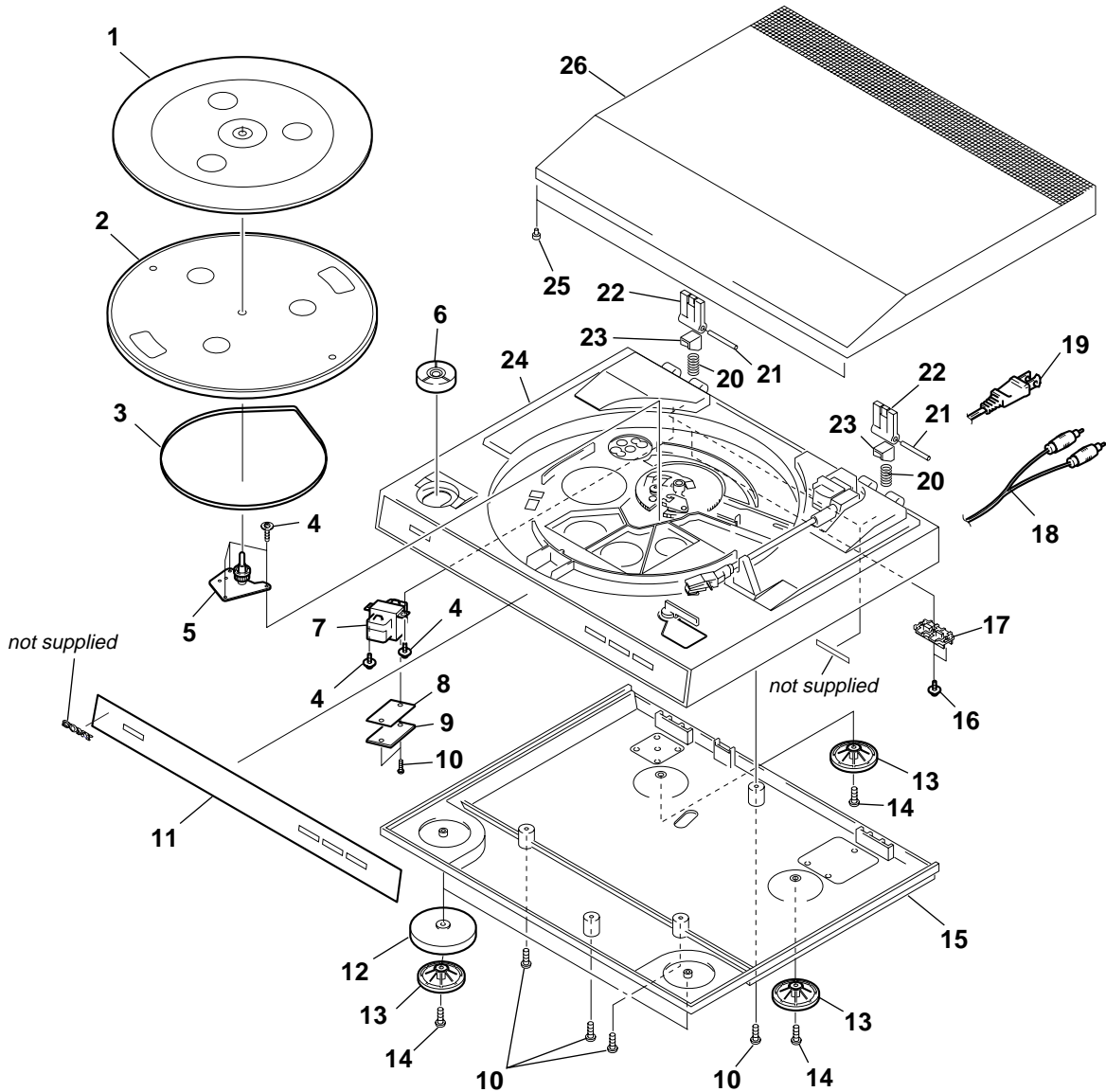
## SECTION 2 EXPLODED VIEWS

**NOTE:**

- Items marked “\*” are not stocked since they are seldom required for routine service. Some delay should be anticipated when ordering these items.
- The mechanical parts with no reference number in the exploded views are not supplied.
- Hardware (# mark) list and accessories and packing materials are given in the last of this parts list.

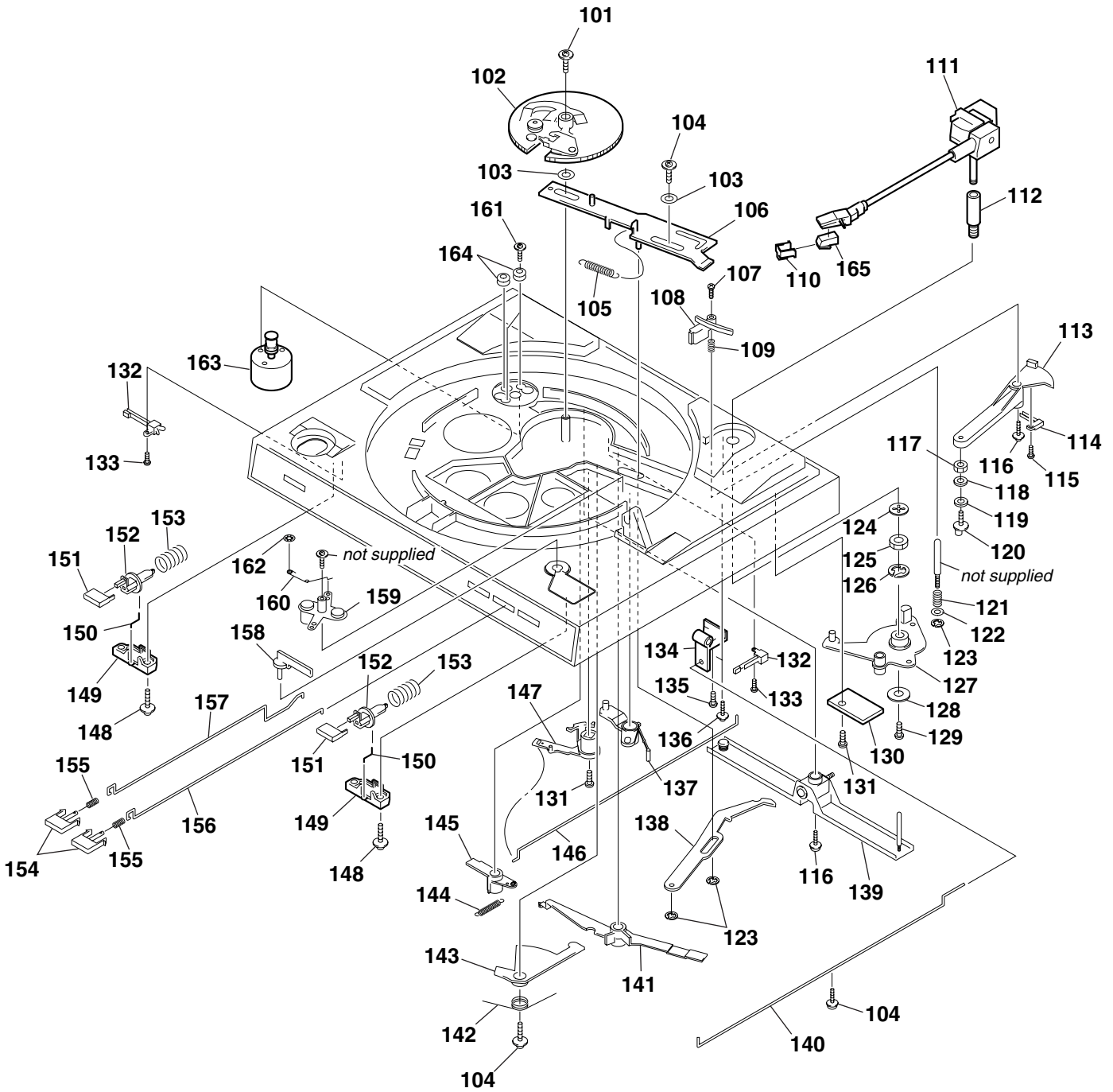
The components identified by mark  $\Delta$  or dotted line with mark  $\Delta$  are critical for safety. Replace only with part number specified.

### 2-1. STEREO TURNTABLE SYSTEM-1



Ref. No.	Part No.	Description	Remark	Ref. No.	Part No.	Description	Remark
1	4-215-488-01	PLATTER MAT		14	4-215-536-01	SCREW	
2	4-215-491-01	PLATTER		15	4-215-519-01	BOTTOM PLATE	
3	4-215-492-01	BELT		16	4-215-533-01	SCREW	
4	4-215-531-01	SCREW		17	4-215-508-01	PRESS SET	
5	4-215-494-01	PLATTER SHAFT SET ASSY		18	1-790-382-11	CORD, CONNECTION	
6	4-215-489-01	45 PRM ADAPTAR		$\Delta$ 19	1-575-975-11	CORD, POWER	
7	1-433-642-11	TRANSFORMER, POWER		20	4-215-574-01	SPRING	
8	4-215-551-01	INSULATOR		21	4-215-573-01	PIN	
* 9	A-4405-712-A	POWER BOARD, COMPLETE		22	4-215-571-01	HINGE	
10	4-215-534-01	SCREW		23	4-215-572-01	INSER SLIDER	
11	4-215-554-01	DECORATIVE PLATE		24	4-215-518-01	PANEL	
12	4-215-552-01	FOOT RING		25	4-215-559-01	RUBBER FOOT FOR DUST COVER	
13	4-215-560-01	RUBBER FOOT		26	4-215-517-01	DUST COVER	

2-2. STEREO TURNTABLE SYSTEM-2



Ref. No.	Part No.	Description	Remark	Ref. No.	Part No.	Description	Remark
101	4-215-539-01	SCREW		138	4-215-524-01	CONTROL PLATE	
102	4-215-493-01	CAM GEAR ASSY		139	4-215-495-01	CUEING LEVER ASSY	
103	4-215-523-01	COPPER WASHER		140	4-215-570-01	SPRING FOR CUEING	
104	4-215-540-01	SCREW					
105	4-215-545-01	SPRING		141	4-215-511-01	STARTING SUPPORT	
				142	4-215-546-01	SPRING	
106	4-215-577-01	RETURN LINK ASSY		143	4-215-503-01	PENDULUM (L)	
107	4-215-535-01	SCREW		144	4-215-544-01	SPRING	
108	4-215-507-01	LIFTER		145	4-215-509-01	PENDULUM (S)	
109	4-215-543-01	SPRING					
110	4-215-490-01	STYLUS (ATN 3600 LX)		146	4-215-550-01	CUEING	
				147	4-215-512-01	SELECTOR	
111	4-215-497-01	TONEARM ASSY		148	4-215-533-01	SCREW	
112	4-215-583-01	TONEARM SHAFT SET		149	4-215-506-01	KNOB SET	
113	4-215-584-01	FIXING SWITCH SET		150	4-215-525-01	STEEL CRAMPER	
114	1-771-597-11	LEAF SWITCH					
115	4-215-587-01	SCREW		151	4-215-502-01	SPEED CUEING KNOB	
				152	4-215-575-01	KNOB SHAT	
116	4-215-537-01	SCREW		153	4-215-526-01	SPRING	
117	4-215-586-01	BOLT		154	4-215-501-01	PLAY STOP KNOB	
118	4-215-588-01	SPRING WASHER		155	4-215-557-01	SPRING	
119	4-215-589-01	WASHER					
120	4-215-585-01	SHAFT		156	4-215-569-01	SPRING (STOP)	
				157	4-215-556-01	SPRING (PLAY)	
121	4-215-558-01	SPRING		158	4-215-505-01	SELECT RECORD KNOB	
122	4-215-582-01	WASHER		159	4-215-514-01	SELECT PLATE	
123	4-215-563-01	E-RING WASHER 3		160	4-215-547-01	SPRING	
124	4-215-566-01	WASHER					
125	4-215-530-01	BOLT		161	4-215-541-01	SCREW	
				162	4-215-565-01	CS WASHER 3	
126	4-215-564-01	E-RING WASHER 5		163	1-763-247-11	MOTOR ASSY (INCLUDING PULLEY)	
127	4-215-510-01	STARTING LEVER		164	4-215-561-01	RUBBER FOOT FOR MOTOR	
128	4-215-562-01	WASHER		165	4-225-230-01	CARTRIDGE	
129	4-215-538-01	SCREW					
* 130	1-672-576-11	REF BOARD, COMPLETE		*****			
				ACCESSORIES & PACKING MATERIALS			
131	4-215-532-01	SCREW		*****			
132	1-771-596-11	LEAF SWITCH		3-864-749-01	MANUAL, INSTRUCTION (ENGLISH)		
133	4-215-542-01	SCREW		4-215-488-01	PLATTER MAT		
134	4-215-513-01	OIL SHAFT SET		4-215-489-01	45 PRM ADAPTAR		
135	4-215-520-01	SCREW		4-215-491-01	PLATTER		
				4-215-492-01	BELT		
136	4-215-576-01	SCREW					
137	4-215-504-01	PENDULUM (M)					

