

PS-LX300H

SERVICE MANUAL

US Model
Canadian Model
AEP Model
UK Model
E Model

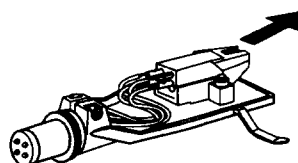


SPECIFICATIONS

Motor and Platter	
Drive system	Belt-drive
Motor	DC motor
Platter	331 mm dia. die-cast aluminum alloy
Speeds	33 1/3 and 45 r/min, 2 speed
Wow and flutter	Less than 0.1 % (WRMS)
Signal to noise ratio	More than 55 dB (DIN-B) with supplied cartridge
Tone Arm	
Type	Universal "S" shaped tubular arm
Effective arm length	230 mm
Overhang	15 mm
Usable cartridge weight	3 g (min.) to 8 g (max.)
General	
Power requirements	US, Canadian model: 120 V AC, 60 Hz AEP, UK, German model: 220 - 240 V AC, 50/60 Hz E model: 110 - 120/220 - 240 V AC, 50/60 Hz
Power consumption	6 W
Dimensions	Approx. 450 × 160 × 360 mm (w / h / d) (17 3/4 × 6 3/8 × 14 1/4 inches)
Mass	7 kg (15 lb 7 oz)
Supplied Accessories	
45 r/min adaptor (1)	
Platter (with drive belt) (1)	
Rubber mat (1)	
Cartridge and headshell (1)	
Counter weight (1)	
Dust cover (1)	
Plug adaptor (E model) (1)	

Design and specifications are subject to change without notice.

REPLACING THE STYLUS



Replace the stylus after about 500 hours of use because using a worn stylus will damage records. An CN-251 replacement stylus is available at your Sony dealer. Be sure to turn the amplifier off before proceeding with replacement.

1. While holding the cartridge, detach the stylus assembly as illustrated.
2. Insert the new stylus into the cartridge.



STEREO TURNTABLE SYSTEM
SONY®

SAFETY CHECK-OUT

After correcting the original service problem, perform the following safety checks before releasing the set to the customer: Check the antenna terminals, metal trim, "metallized" knobs, screws, and all other exposed metal parts for AC leakage. Check leakage as described below.

LEAKAGE TEST

The AC leakage from any exposed metal part to earth ground and from all exposed metal parts to any exposed metal part having a return to chassis, must not exceed 0.5 mA (500 microamperes.). Leakage current can be measured by any one of three methods.

1. A commercial leakage tester, such as the Simpson 229 or RCA WT-540A. Follow the manufacturers' instructions to use these instruments.
2. A battery-operated AC milliammeter. The Data Precision 245 digital multimeter is suitable for this job.
3. Measuring the voltage drop across a resistor by means of a VOM or battery-operated AC voltmeter. The "limit" indication is 0.75 V, so analog meters must have an accurate low-voltage scale. The Simpson 250 and Sanwa SH-63Trd are examples of a passive VOM that is suitable. Nearly all battery operated digital multimeters that have a 2 V AC range are suitable. (See Fig. A)

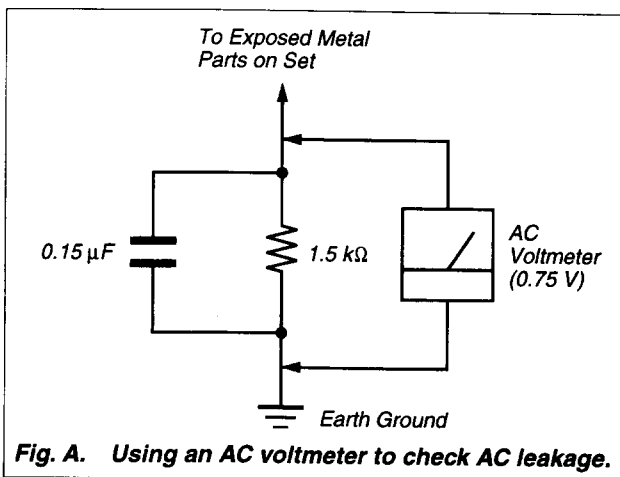


Fig. A. Using an AC voltmeter to check AC leakage.

SAFETY-RELATED COMPONENT WARNING!!

COMPONENTS IDENTIFIED BY MARK Δ OR DOTTED LINE WITH MARK Δ ON THE SCHEMATIC DIAGRAMS AND IN THE PARTS LIST ARE CRITICAL TO SAFE OPERATION. REPLACE THESE COMPONENTS WITH SONY PARTS WHOSE PART NUMBERS APPEAR AS SHOWN IN THIS MANUAL OR IN SUPPLEMENTS PUBLISHED BY SONY.

ATTENTION AU COMPOSANT AYANT RAPPORT À LA SÉCURITÉ!

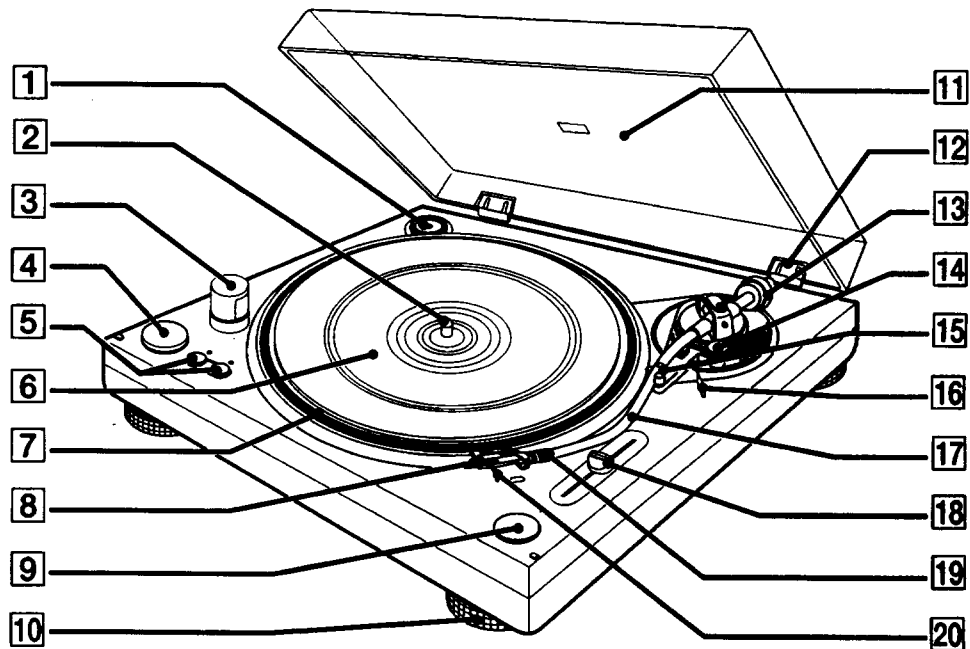
LES COMPOSANTS IDENTIFIÉS PAR UNE MARQUE Δ SUR LES DIAGRAMMES SCHÉMATIQUES ET LA LISTE DES PIÈCES SONT CRITIQUES POUR LA SÉCURITÉ DE FONCTIONNEMENT. NE REMPLACER CES COMPOSANTS QUE PAR DES PIÈCES SONY DONT LES NUMÉROS SONT DONNÉS DANS CE MANUEL OU DANS LES SUPPLÉMENTS PUBLIÉS PAR SONY.

SECTION 1 GENERAL

This section is extracted from
instruction manual.

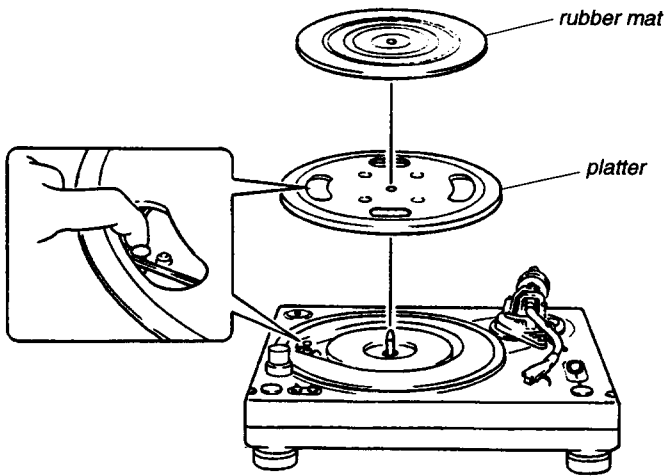
Parts and Controls

- | | | | |
|-----------|-------------------------------------|-----------|-------------------|
| 1 | 45 r/min adaptor | 11 | Dust cover |
| 2 | Spindle | 12 | Hinge |
| 3 | Strobo lamp | 13 | Counter weight |
| 4 | POWER button | 14 | ANTI-SKATING dial |
| 5 | Speed select buttons and indicators | 15 | Arm stand |
| 6 | Rubber mat | 16 | Cueing lever |
| 7 | Platter | 17 | Tone arm |
| 8 | Cartridge and headshell | 18 | PITCH CONTROL |
| 9 | START/STOP button | 19 | Locking collar |
| 10 | Insulator | 20 | Finger lift |



SECTION 2 SERVICING NOTES

TURNTABLE ASSEMBLY

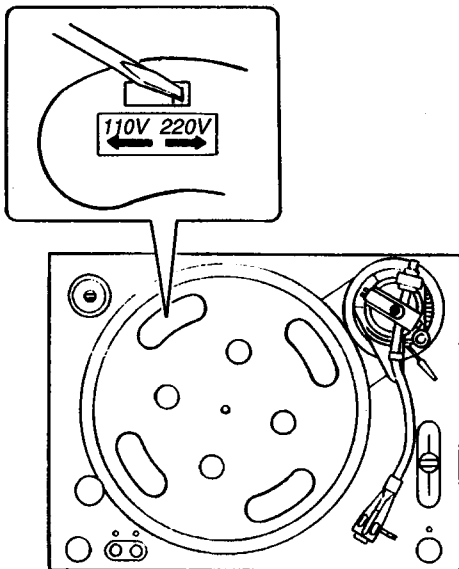


Hook the belt on the motor pulley.
If the belt is removed from the platter, replace it with the glossy side outward.

SETTING THE VOLTAGE SELECTOR (E MODEL ONLY)

For customers of the model equipped with the voltage selector

Check to confirm that the voltage selector is set to the local power line voltage. If not, set the voltage selector to the correct position before connecting the AC power cord to a wall outlet.



SECTION 3 ELECTRICAL ADJUSTMENTS

Speed Adjustment

Note: Be sure to perform 45rpm adjustment before 33rpm.

1. Set the speed select button to 45.
Press the START/STOP button.
Adjust VR101 so that the striped pattern is stationary.
2. Set the speed select button to 33.
Adjust VR102 in the same way.

