

PS-LX46/LX46P/LX47P

SERVICE MANUAL

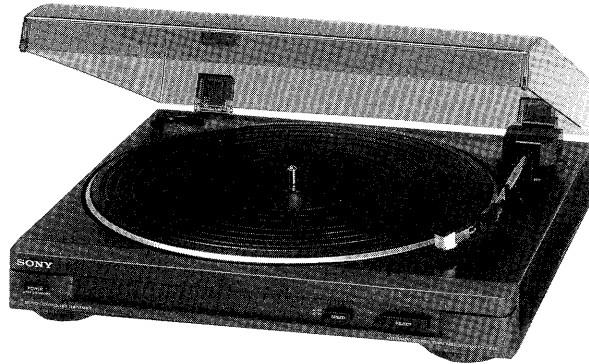


Photo : PS-LX46

US Model
PS-LX47P

AEP Model
PS-LX46/LX46P

UK Model
PS-LX46P/LX47P

E Model
PS-LX47P

Australian Model
PS-LX47P

SPECIFICATIONS

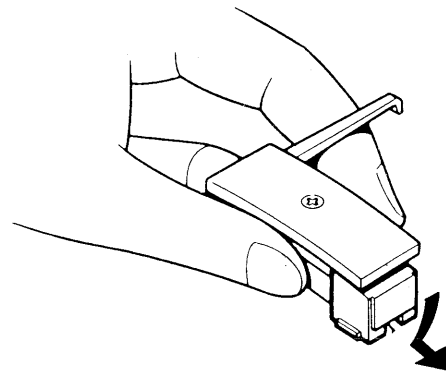
Turntable	
Platter	30cm (12 in.)
Motor	DC servo motor
Drive system	Belt drive
Speed	33 1/3 rpm/45 rpm switchable
Wow and flutter	0.2% (WRMS)
Signal-to-noise ratio	60 dB (DIN-B)
Automatic system	Return, reject
Tonearm	
Type	Dynamically balanced
Pivot-to-stylus length	203 mm (8 in.)
Overall arm length	235 mm (9 1/4 in.)
Cartridge	
Type	Moving magnet type
Frequency response	20 Hz-20kHz
Stylus	ND-155G
General	
Dimensions	355 x 94 x 341 mm (w/h/d) (14 x 3 3/4 x 13 1/2 inches)
Weight	Approx. 2.6 kg (5 lb 12 oz)
Power requirements	220V AC, 50/60 Hz
Power consumption	2 W
Accessory supplied	45-rpm adaptor (1)
Optional accessories	Replacement stylus ND-155G Stat spray XP-C10 Cleaner XP-C1, XP-C2

Design and specifications subject to change without notice.

Note

This appliance conforms with EEC Directive 87/308/EEC regarding interference suppression.

REPLACING THE STYLUS



Replace the stylus after about 400 hours of use because using a worn stylus will damage records. An ND-155G replacement stylus is available at your Sony dealer. Be sure to turn the amplifier off before proceeding with replacement.

- 1 While holding the cartridge, detach the stylus assembly as illustrated.
- 2 Insert the new stylus into the cartridge.



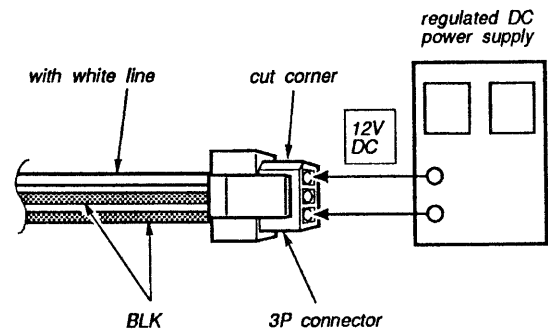
使用時は添付資料も参照のこと
Refer to the additional documents.

STEREO TURNTABLE SYSTEM
SONY®

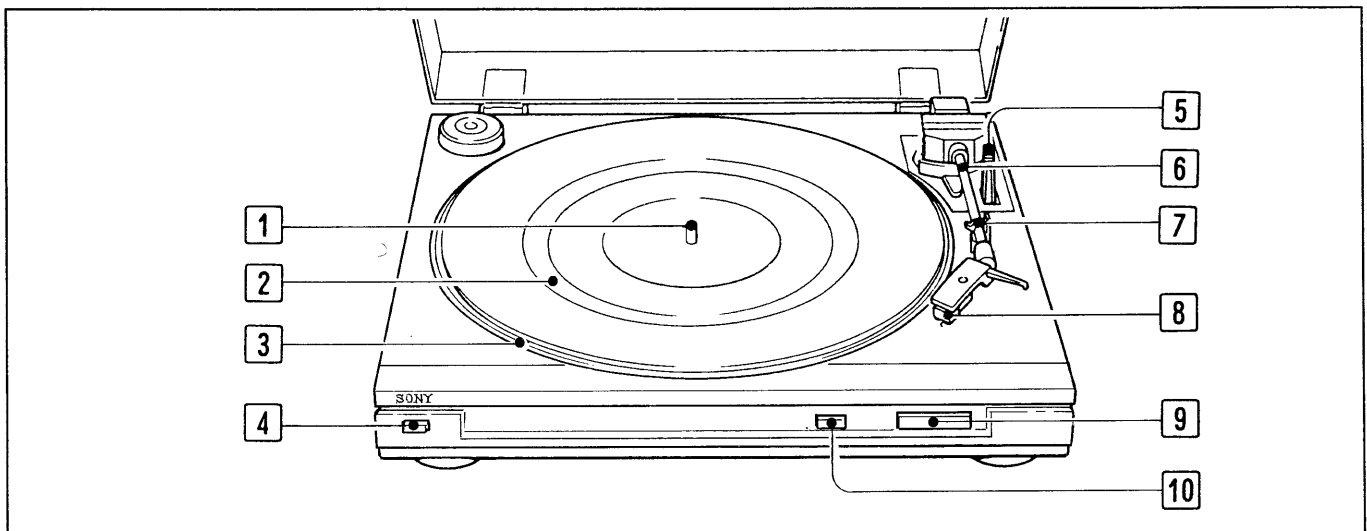
REPAIRING PRECAUTION (PS-LX46P/LX47P only)

[To supply B-voltage]

The power of this unit is fed from HST-D201, D301, D301CD or D501CD. Because of this, connect the regulated power supply as illustrated right when this unit alone operates.

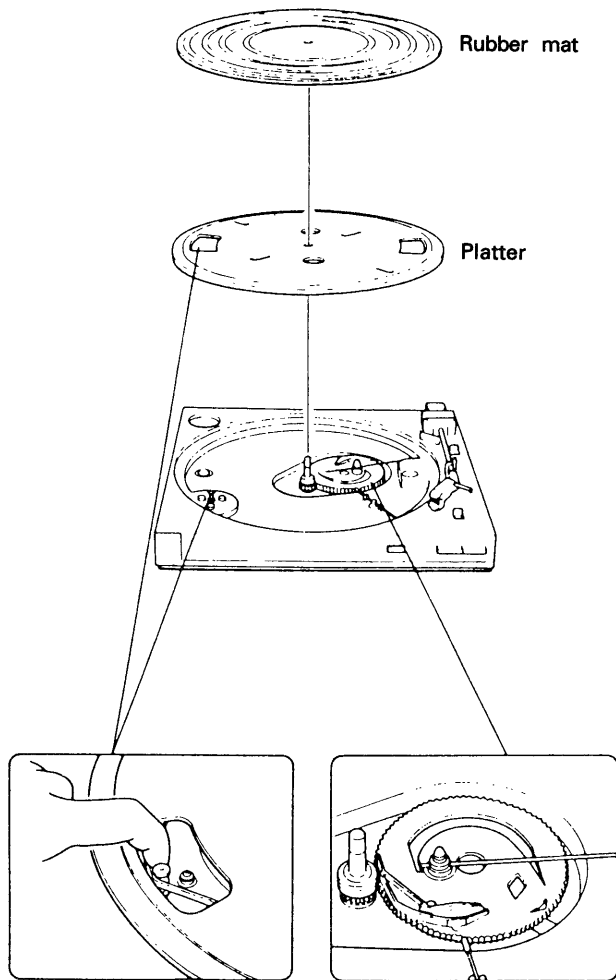


LOCATION AND FUNCTION OF CONTROLS



- 1** Center spindle
- 2** Rubber mat
- 3** Turntable platter
- 4** POWER switch (PS-LX46 only)
- 5** Cueing lever (▼/▼)
- 6** Tonearm
- 7** Arm rest
- 8** Cartridge
- 9** REJECT button
- 10** SPEED select button
Allows selection of 45rpm or 33rpm turntable speed.

TURNTABLE ASSEMBLY

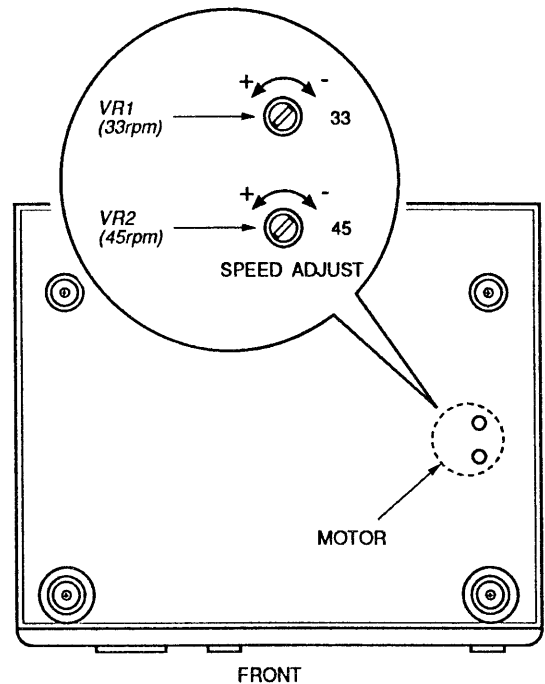


Hook the belt on the motor pulley.
If the belt is removed from the platter, replace it with the glossy side outward.

Speed Adjustment

Note: Be sure to perform 45rpm adjustment before 33rpm.

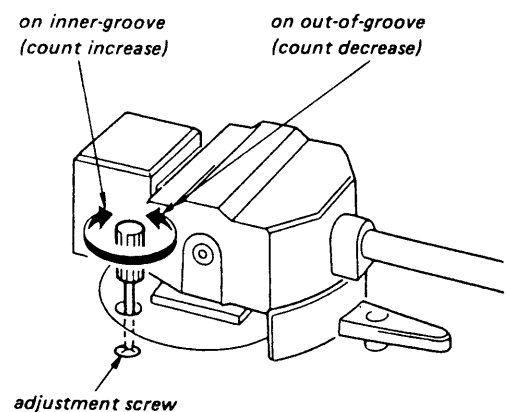
1. Place a stroboscope board on the turntable sheet.
2. Set the SPEED switch to 45.
Press the START button.
Adjust VR2 so that the stripped pattern of stroboscope board is stationary.
3. Set the SPEED switch to 33.
Adjust VR1 in the same way.



Stylus Drop-point Adjustment

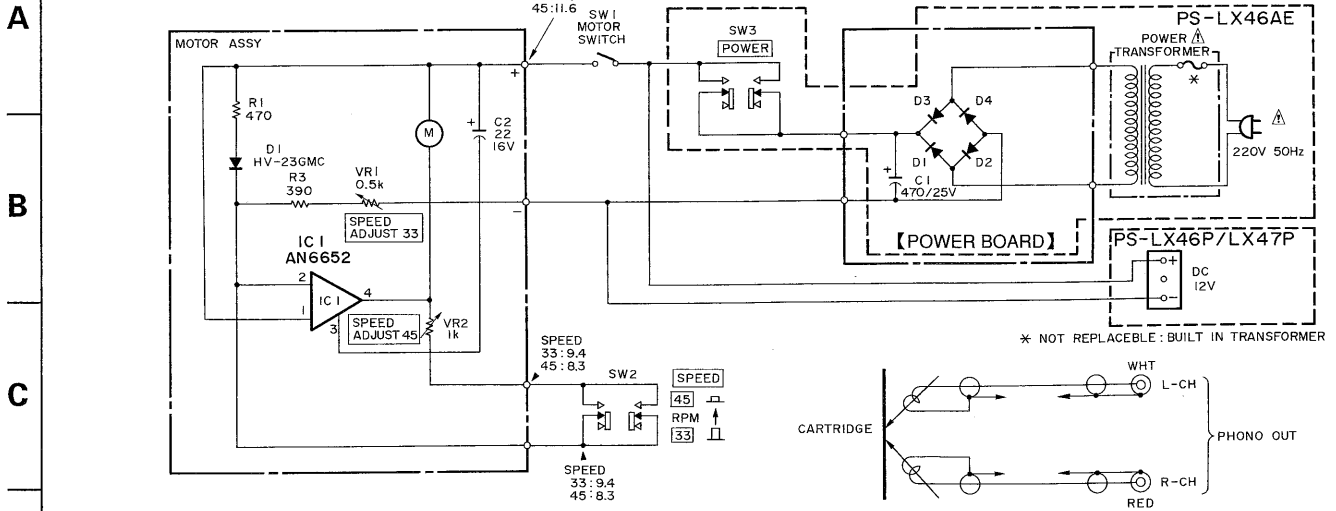
1. Place a test record (YFSC-16) on the turntable sheet.
2. Set the SPEED switch to 33.
3. Press the START button.
4. By using a screwdriver, turn the adjustment screw so that the stylus tip drops on the record at the 7-17 counts position.
5. Move the arm to return detecting groove and confirm that the auto-return operation is started normally.

Note: The proper adjustment for a 30cm record is also correct for a 17cm record.
when turning adjustment screw, put the arm on the arm rest.



PS-LX46/LX46P/LX47P

SCHMATIC DIAGRAM



NOTE:

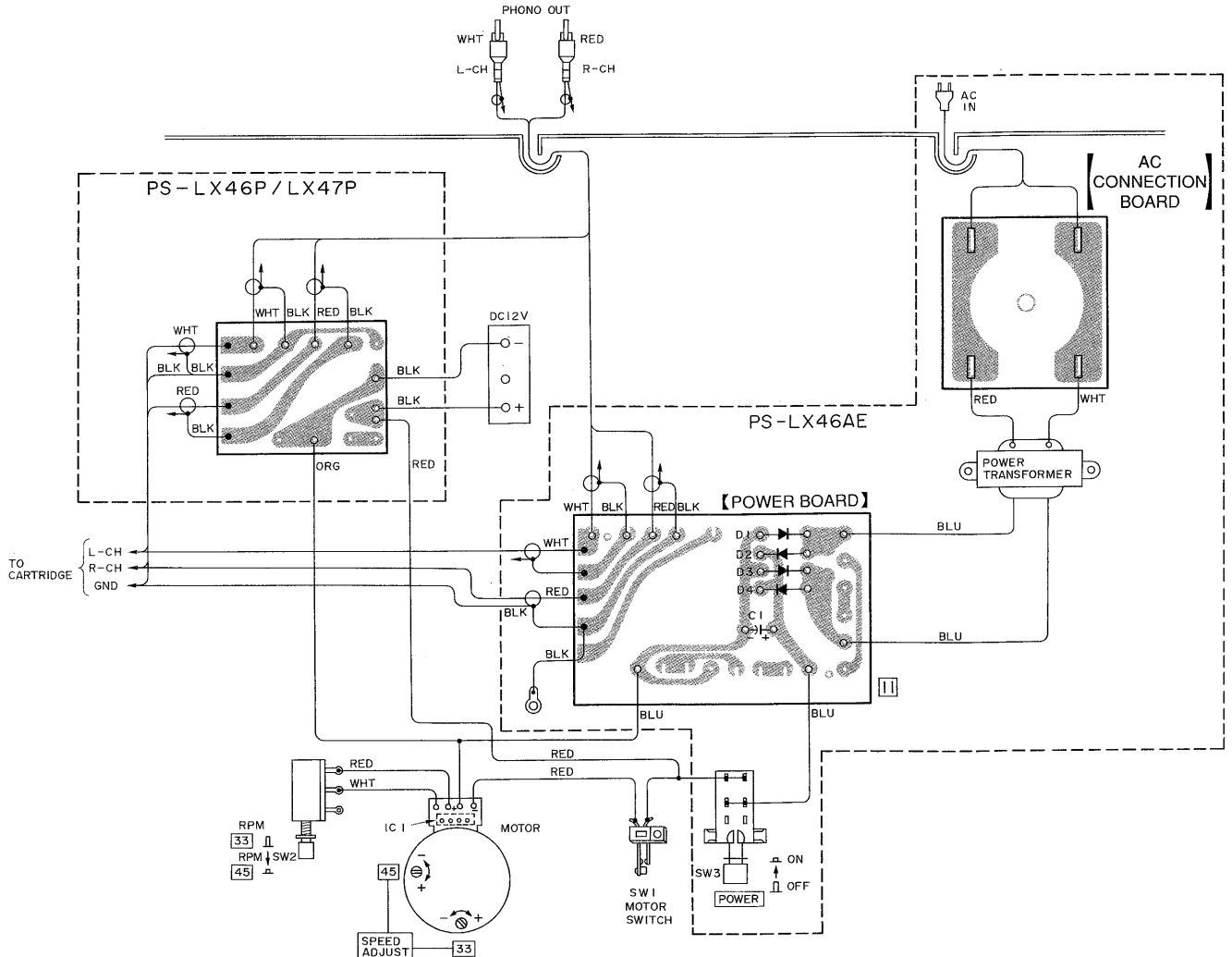
- All capacitors are in μF unless otherwise noted. pF : μF 50WV or less are not indicated except for electrolytics and tantalums.
- All resistors are in Ω and 1/4W or less unless otherwise specified.

Switches :

Ref.No.	Switch	Position
SW1	MOTOR	OFF
SW2	SPEED	33
SW3	POWER	OFF

The components identified by mark Δ or dotted line with mark Δ are critical for safety.
Replace only with part number specified.

WIRING DIAGRAM



EXPLODED VIEW

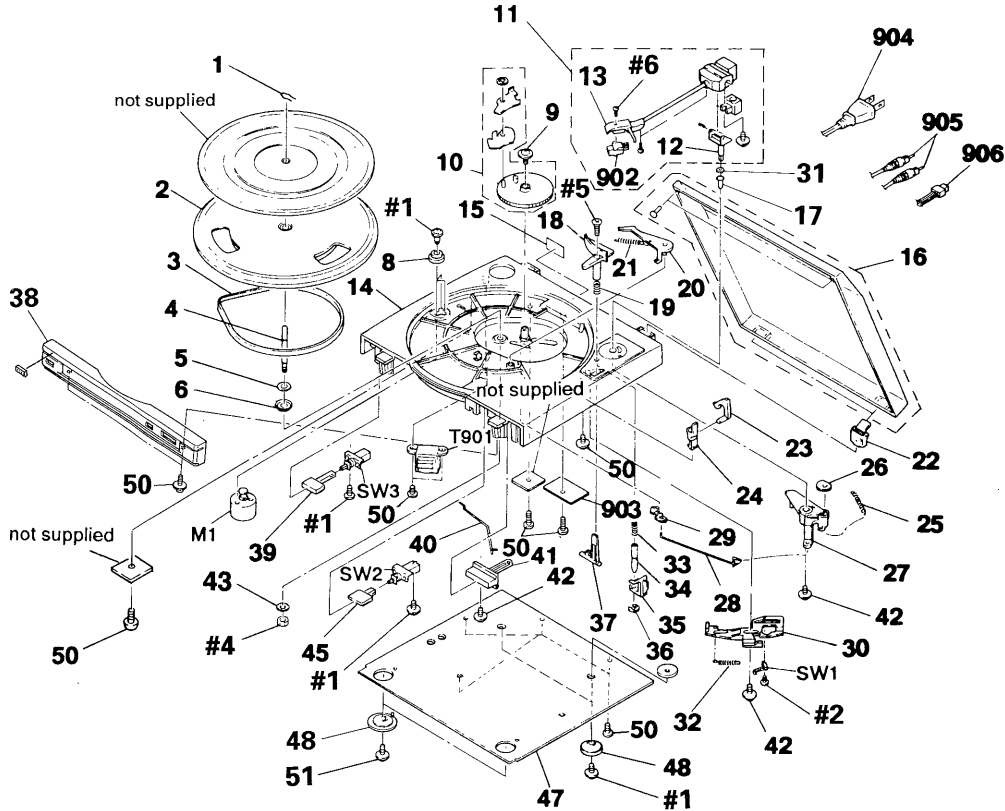
NOTE:

- -XX, -X mean standard parts, so they may have some differences from the original one.
- The construction parts of an assembled part are indicated with a collation number in the remark column.

- Items marked "*" are not stocked since they are seldom required for routine service. Some delay should be anticipated when ordering these items.
- The mechanical parts with no reference number in the exploded views are not supplied.

- Screw(# mark) list is given in the last of this parts list.

The components identified by mark Δ or dotted line with mark Δ are critical for safety.
Replace only with part number specified.



Ref. No.	Part No.	Description	Remark	Ref. No.	Part No.	Description	Remark
1	4-895-490-01	CLIP, SPINDLE		24	4-943-398-01	REST, P.U	
2	A-4604-243-A	TURNTABLE ASSY		25	4-895-460-01	ADJUST SPRING	
3	4-943-396-01	BELT		26	4-895-818-01	CAM, ADJUSTMENT	
4	* 4-896-361-01	SPINDLE		27	* 4-896-372-01	LINK, RETURN	
5	4-895-024-01	POLY WASHER		28	4-896-371-01	ROD, TRIP	
6	4-943-399-01	WASHER, FLAT		29	* 4-896-304-01	LEVER, TRIP	
8	4-895-414-01	GROMMET (A)		30	* 4-896-373-01	ARM, SLIDE	
9	4-896-294-01	SCREW (7-BID 3006 2N3A 10D)		31	3-701-446-01	WASHER	
10	4-895-495-01	GEAR, CAM, CLUTCH		32	4-896-374-01	SPRING (SLIDE ARM)	
11	A-4604-242-A	ARM ASSY		33	4-943-405-01	SPRING, DUMPING	
12	4-895-464-01	P.U. HINGE BRACKET		34	4-896-252-01	SHAFT, ARM LIFT	
13	4-896-227-01	SHELL, HEAD		35	4-896-253-01	FORK, LIFT	
14	* 4-943-945-01	CABINET, MAIN		36	4-896-254-01	RING (DIA. 3), E	
15	4-944-400-01	LABEL, MODEL NUMBER (LX46P)		37	4-896-212-01	LEVER, CUE	
15	4-944-402-01	LABEL, MODEL NUMBER (LX47P)		38	4-943-948-01	PANEL, FRONT	
15	4-944-401-01	LABEL, MODEL NUMBER (AE1/IT1) (LX46)		39	4-943-949-01	BUTTON (POWER) (LX46)	
16	A-4620-041-A	COVER ASSY, DUST		40	4-896-367-01	LOT (REJECT)	
17	* 4-896-265-01	SHAFT, P.U		41	4-943-944-01	BUTTON (REJECT)	
18	4-896-258-01	PLATFORM, LIFT		42	4-896-369-01	SCREW (7-CUP 3008 WF12 ZN3A)	
19	4-896-267-01	SPRING (A)		43	4-943-397-01	WASHER, SPRING	
20	* 4-896-364-01	LEVER (REJECT)		45	4-943-943-01	BUTTON (SPEED)	
21	4-896-365-01	SPRING (C)		47	* 4-943-946-01	PLATE, BOTTOM	
22	4-896-321-01	HINGE ASSY		48	4-895-435-01	FOOT	
23	4-895-418-01	P.U. TUBE HOOK		50	4-896-375-01	SCREW (7-CUP 3012 WF08 ZN3K)	
				51	4-943-406-01	SCREW (7-CUP 3006 WF12 ZN3A)	

ELECTRICAL PARTS LIST

NOTE:

The components identified by mark Δ or dotted line with mark Δ are critical for safety.
 Replace only with part number specified.

When indicating parts by reference number, please include the board name.

- Due to standardization, replacements in the parts list may be different from the parts specified in the diagrams or the components used on the set.
- -XX, -X mean standardized parts, so they may have some difference from the original one.
- RESISTORS
 All resistors are in ohms
 METAL : Metal-film resistor
 METAL OXIDE : Metal Oxide-film resistor
 F : nonflammable
- Items marked "*" are not stocked since

they are seldom required for routine service. Some delay should be anticipated when ordering these items.

- SEMICONDUCTORS
 In each case, u : μ , for example :
 uA... : μ A..., uPA... : μ PA...,
 uPB... : μ PB..., uPC... : μ PC...,
 uPD... : μ PD...
- CAPACITORS
 MF : μ F, PF : μ F
- COILS
 MMH : mH, uH : μ H

Ref. No.	Part No.	Description	Remark
902	1-549-135-11	CARTRIDGE	
903	* 1-638-222-11	PC BOARD, CORD	
904 Δ	1-555-795-00	CORD, POWER (LX46)	
905	1-555-116-11	CORD, CONNECTION	
906	1-557-109-21	CORD, CONNECTION (3 CORE)	
C1	1-123-336-00	ELECT 470uF	25V
D1	8-719-200-02	DIODE 10E2 (LX46)	
D2	8-719-200-02	DIODE 10E2 (LX46)	
D3	8-719-200-02	DIODE 10E2 (LX46)	
D4	8-719-200-02	DIODE 10E2 (LX46)	
M1	A-4604-244-A	MOTOR ASSY	
SW1	1-570-666-11	SWITCH, LEAF	
SW2	1-571-089-11	SWITCH, PUSH (1KEY) (SPEED)	
SW3	1-571-560-11	SWITCH, PUSH (1KEY) (POWER) (LX46)	
T901 Δ	1-449-291-11	TRANSFORMER, POWER (LX46)	

Ref. No.	Part No.	Description	Remark
		ACCESSORY & PACKING MATERIAL	
	3-753-018-11	MANUAL, INSTRUCTION	
	3-753-018-41	MANUAL, INSTRUCTION	
	* 4-896-384-01	CUSHION (RIGHT)	
	* 4-896-385-01	CUSHION (LEFT)	

		SCREW	
#1	7-685-646-79	SCREW (7-CUP 3010 WF12 ZN3A)	
#2	7-685-104-19	SCREW (7-PAN 2006 ZN3A)	
#4	7-684-024-04	NUT 50 ZN3A	
#5	7-621-561-49	SCREW (1-FLAT 2612 ZN3K)	
#6	7-627-553-98	SCREW (7-PAN 2008 ZN3K)	

PS-LX46/LX46P/LX47P

SONY[®] SERVICE MANUAL

US Model
PS-LX47P

AEP Model
PS-LX46/LX46P

UK Model
PS-LX46P/47P

E Model
PS-LX47P

Australian Model
PS-LX47P

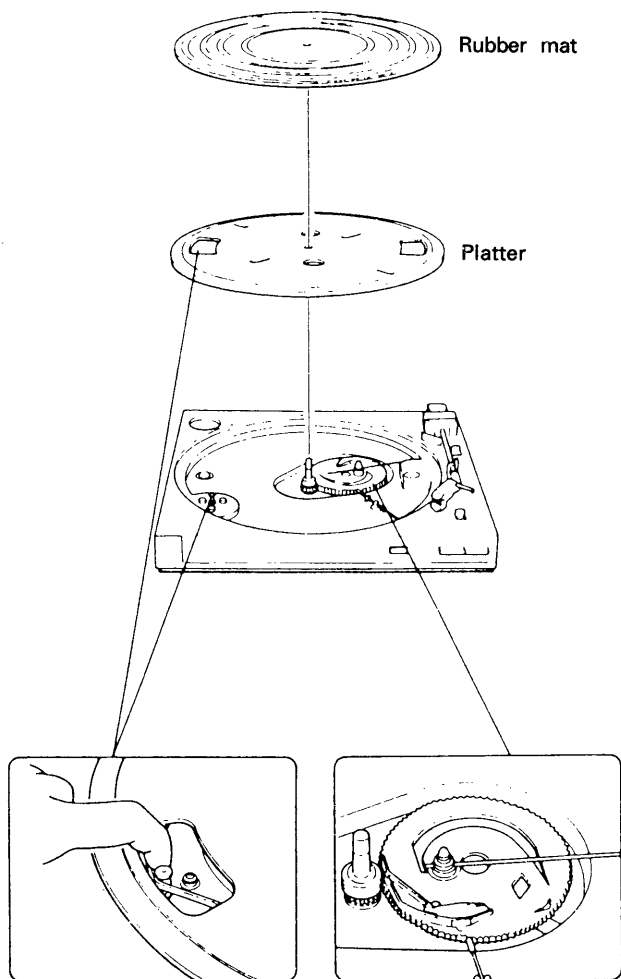
SUPPLEMENT-1

File this supplement with the service manual.

Subject : Modification of parts

- Regarding PS-LX46P (UK), parts with red cartridges in use are already modified.
- See this Service Manual (Supplement-1).

TURNTABLE ASSEMBLY

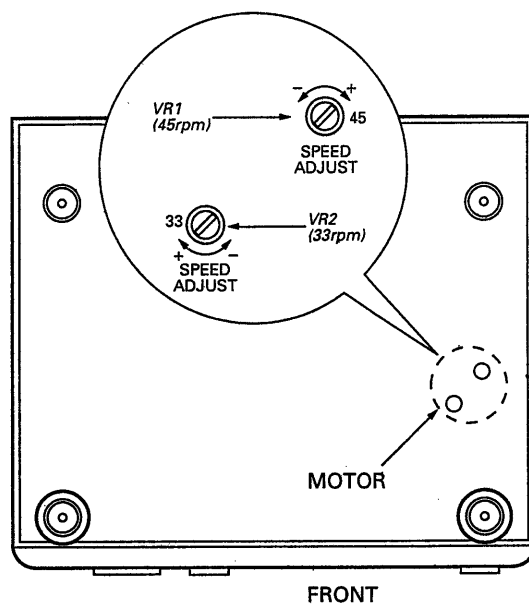


Hook the belt on the motor pulley.
If the belt is removed from the platter, replace it with the glossy side outward.

Speed Adjustment

Note: Be sure to perform 45rpm adjustment before 33rpm.

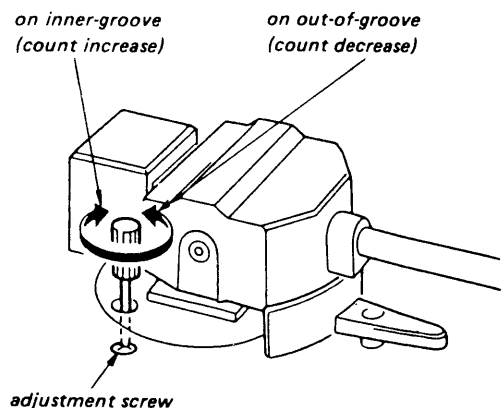
1. Place a stroboscope board on the turntable sheet.
2. Set the SPEED switch to 45.
Press the START button.
Adjust VR1 so that the stripped pattern of stroboscope board is stationary.
3. Set the SPEED switch to 33.
Adjust VR2 in the same way.



Stylus Drop-point Adjustment

1. Place a test record (YFSC-16) on the turntable sheet.
2. Set the SPEED switch to 33.
3. Press the START button.
4. By using a screwdriver, turn the adjustment screw so that the stylus tip drops on the record at the 7-17 counts position.
5. Move the arm to return detecting groove and confirm that the auto-return operation is started normally.

Note: The proper adjustment for a 30cm record is also correct for a 17cm record.
when turning adjustment screw, put the arm on the arm rest.



1

2

3

4

5

6

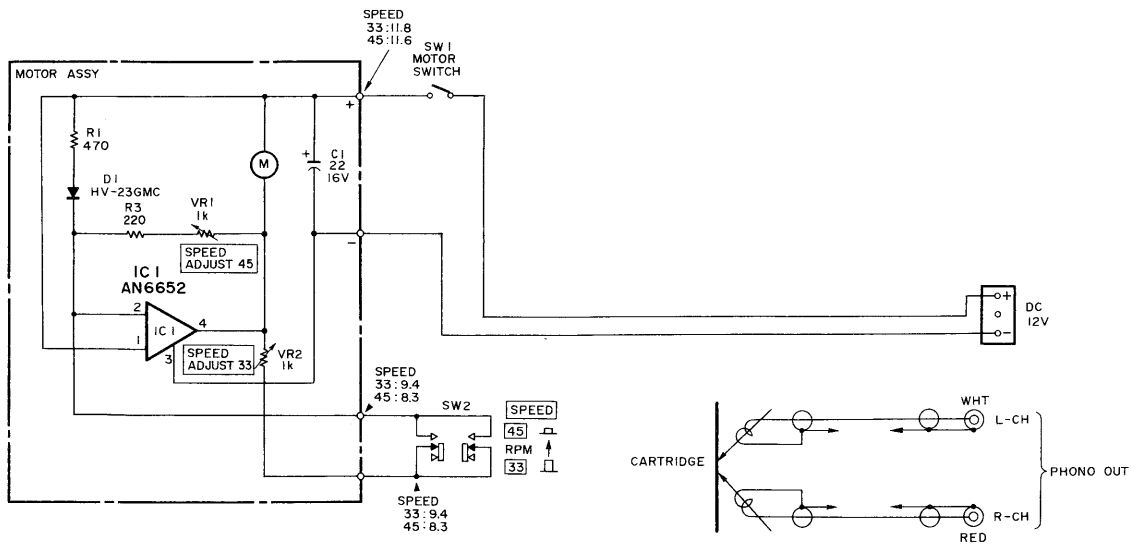
7

SCHEMATIC DIAGRAM

A

B

C



D

- All capacitors are in μF unless otherwise noted. pF : μF 50WV or less are not indicated except for electrolytics and tantalums.
- All resistors are in Ω and 1/4W or less unless otherwise specified.

The components identified by mark Δ or dotted line with mark Δ are critical for safety. Replace only with part number specified.

E

WIRING DIAGRAM

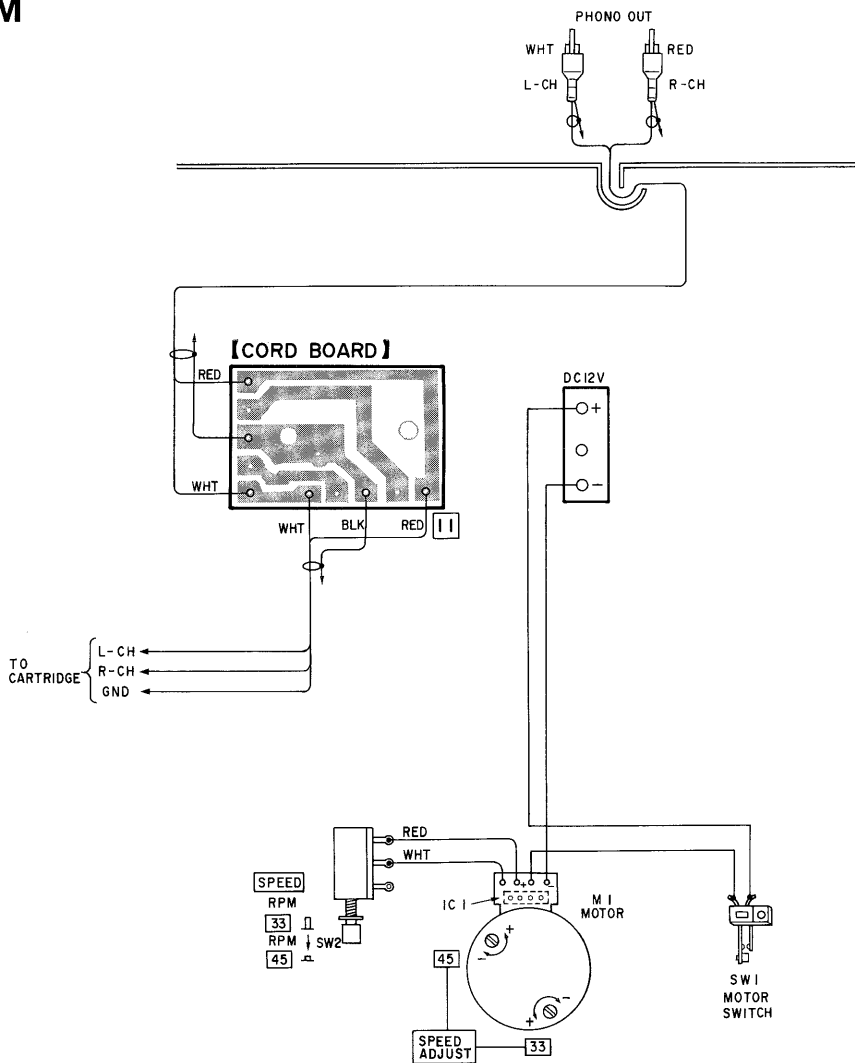
F

G

H

I

J

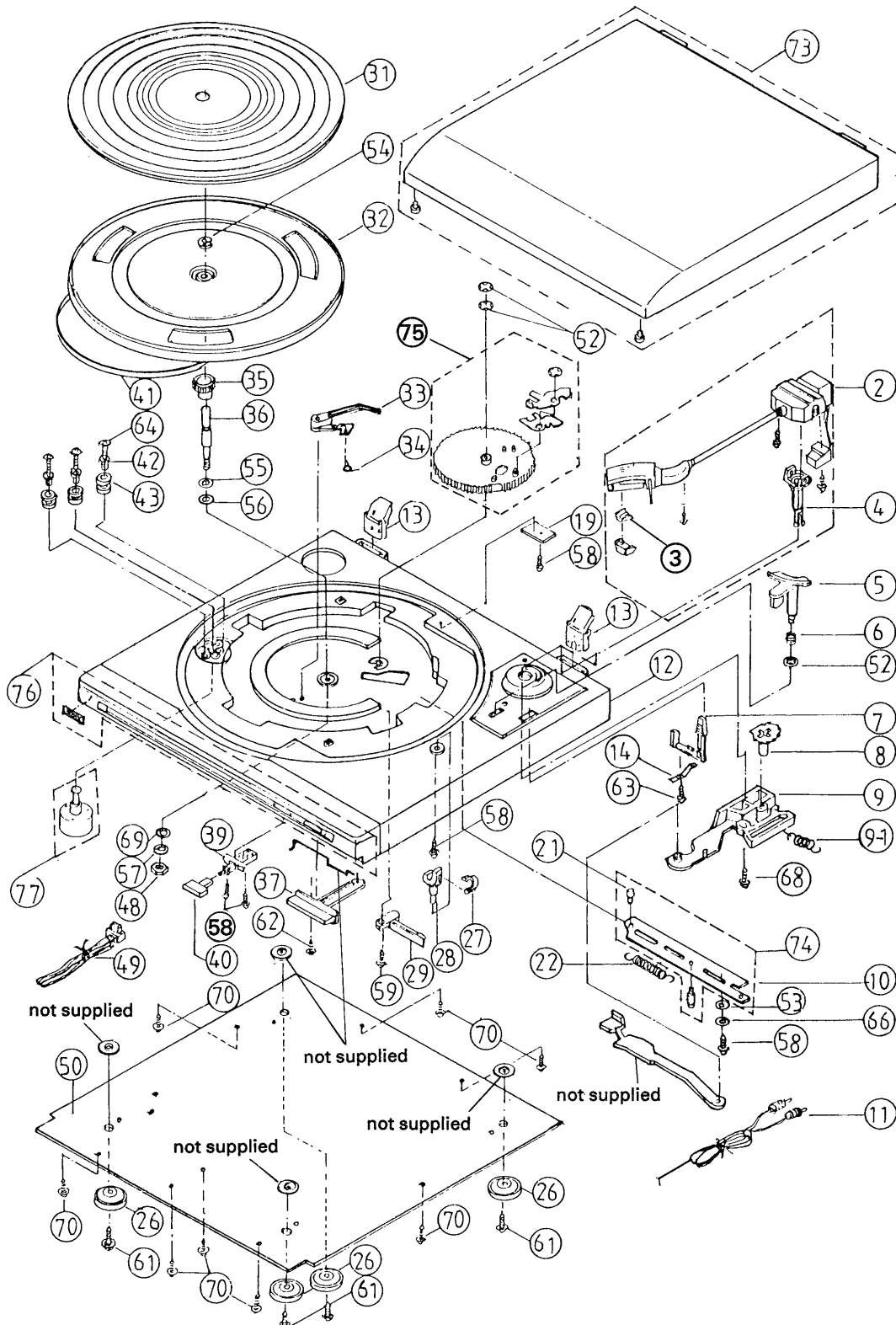


EXPLODED VIEWS

NOTE:

- -XX, -X mean standardized parts, so they may have some differences from the original one.
- Color Indication of Appearance Parts
Example:
KNOB,BALANCE(WHITE)...(RED)
↑ ↑
Parts color Cabinet's color
- Items marked "*" are not stocked since they are seldom required for routine service. Some delay should be anticipated when ordering these items.
- The mechanical parts with no reference number in the exploded views are not supplied.

The components identified by mark Δ or dotted line with mark Δ are critical for safety.
Replace only with part number specified.



Ref. No.	Part No.	Description	Remarks	Ref. No.	Part No.	Description	Remarks
2	A-4604-940-A	ARM ASSY, TONE		42	4-947-504-01	COLLAR	
3	4-948-094-01	STYLUS (MG-2500)		43	4-947-505-01	CUSHION MOTOR	
4	4-947-465-01	P. U. HINGE BRACKET		48	4-947-510-01	NUT	
5	4-947-466-01	TONE ARM ELEVATOR		49	1-557-109-21	DC CORD	
6	4-947-467-01	SPRING (6)		50	* 4-947-512-01	BUTTON BOARD	
7	4-947-468-01	LEVER, CUEING		52	4-947-514-01	4MM CS RING	
8	4-947-470-01	ADJUST CAM		53	3-659-350-01	WASHER	
9	* 4-947-471-01	LINK, RETURN		54	7-624-110-04	6MM E RING	
11	1-555-116-11	PHONO CORD		55	3-701-445-21	WASHER	
12	4-947-475-01	MAIN CABINET (G)		56	3-451-162-01	WASHER (56)	
13	4-947-476-01	HINGE		57	7-623-210-22	WASHER (57)	
14	* 4-947-477-01	SPRING SHEET		58	7-685-647-79	SCREW (58)	
22	4-947-485-01	SPRING (22)		59	7-685-105-01	SCREW (59)	
26	4-947-489-01	RUBBER STAND		60	4-947-522-01	SCREW (60)	
27	4-947-490-01	ARM CLIP		61	4-947-523-01	SCREW (61)	
28	4-947-491-01	ARM REST		62	7-685-646-79	SCREW (62)	
29	1-570-666-11	SWITCH		64	7-621-773-87	SCREW (64)	
31	4-947-539-01	RUBBER MAT		66	4-890-173-01	WASHER	
32	4-947-494-01	TURNTABLE PLATTER		68	4-948-097-01	SCREW (68)	
33	4-947-495-01	WIPER REJECT		69	7-685-005-01	WASHER No. 5	
34	4-947-496-01	SPRING (34)		70	7-685-147-21	SCREW +P 3X10	
35	4-947-497-01	GEAR		73	A-4604-946-A	COVER ASSY, DUST	
36	4-947-498-01	STELL BALL		74	A-4604-947-A	RETURN ASSY, LEVER	
37	4-947-499-01	KNOB REJECT		75	A-4604-916-A	GEAR ASSY, SPUR	
39	1-571-089-11	PUSH SWITCH (SPEED)		76	A-4604-948-A	PANEL (G) ASSY, FRONT	
40	4-947-502-01	KNOB SPEED		77	A-4604-945-A	MOTOR ASSY	
41	4-947-503-01	BELT		9-1	4-947-472-01	SPRING (9-1)	

ELECTRICAL PARTS LIST

NOTE:

The components identified by mark Δ or dotted line with mark Δ are critical for safety.
 Replace only with part number specified.

When indicating parts by reference number, please include the board name.

- Due to standardization, replacements in the parts list may be different from the parts specified in the diagrams or the components used on the set.
- -XX, -X mean standardized parts, so they may have some difference from the original one.
- RESISTORS
 All resistors are in ohms
 METAL : Metal-film resistor
 METAL OXIDE : Metal Oxide-film resistor
 F : nonflammable
- Items marked "*" are not stocked since they are seldom required for routine service. Some delay should be anticipated when ordering these items.
- SEMICONDUCTORS
 In each case, u : μ , for example :
 uA...: μ A..., uPA...: μ PA...,
 uPB...: μ PB..., uPC...: μ PC...,
 uPD...: μ PD...
- CAPACITORS
 uF ; μ F
- COILS
 uH : μ H

Ref. No.	Part No.	Description	Remarks	Ref. No.	Part No.	Description	Remarks
	1-555-116-11	PHONE CORD				ACCESSORIES & PACKING MATERIALS	
	1-557-109-21	DC CORD				*****	
M1	A-4604-945-A	MOTOR ASSY				* 4-947-532-01 SNOW BOX (L)	
SW1	1-570-666-11	SWITCH, LEAF (MOTOR SWITCH)				* 4-947-533-01 SNOW BOX (R)	
SW2	1-571-089-11	SWITCH, PUSH (1KEY) (SPEED)				* 4-947-534-01 CARTON	

PS-LX46/LX46P/LX47P

SONY **SERVICE MANUAL**

US Model
PS-LX47P

AEP Model
PS-LX46/LX46P

UK Model
PS-LX46P/LX47P

E Model
PS-LX47P

Australian Model
PS-LX47P

SUPPLEMENT-2

File this supplement with the service manual.

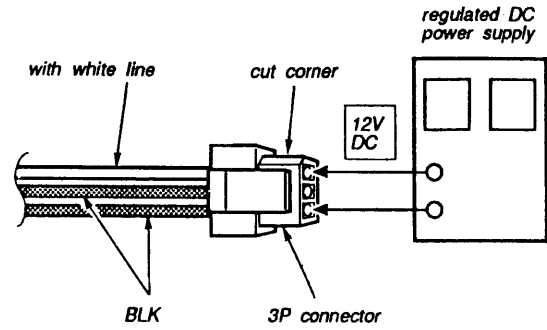
This supplement updates the following.

- For PS-LX47P models with serial number JJ600001 or larger, refer to this service manual.

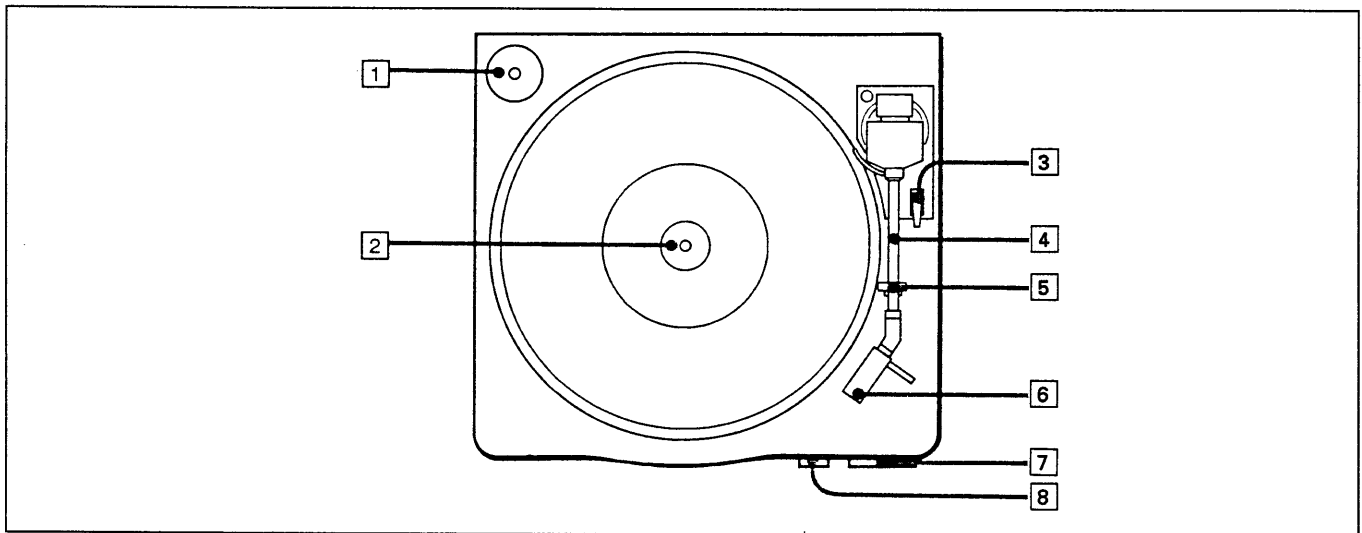
REPAIRING PRECAUTION

[To supply B+ voltage]

The power of this unit is fed from HST model. Because of this, connect the regulated power supply as illustrated right when this unit alone operates.

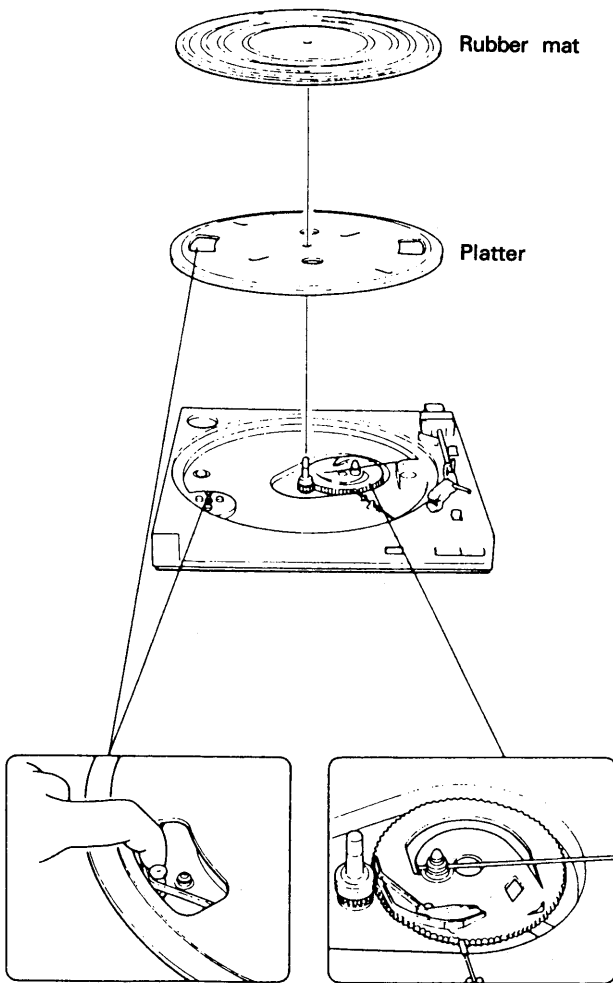


LOCATION OF CONTROLS



- 1 45-rpm adaptor**
- 2 Center spindle**
- 3 Cueing lever**
- 4 Tonearm**
- 5 Arm rest**
- 6 Cartridge**
- 7 EJECT button**
- 8 Speed selector**

TURNTABLE ASSEMBLY

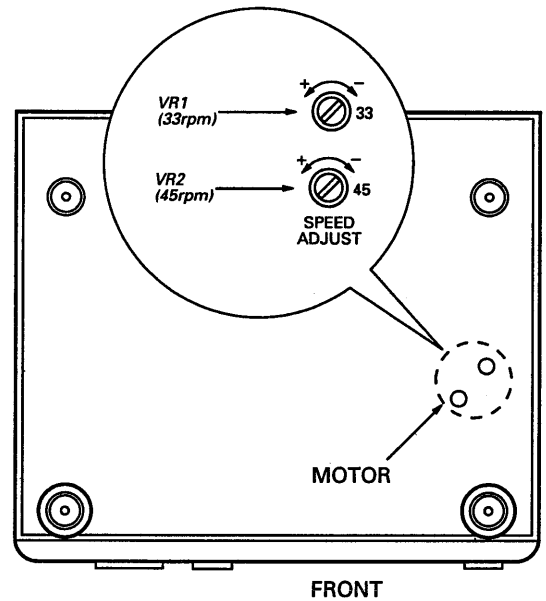


Hook the belt on the motor pulley.
If the belt is removed from the platter, replace it with
the glossy side outward.

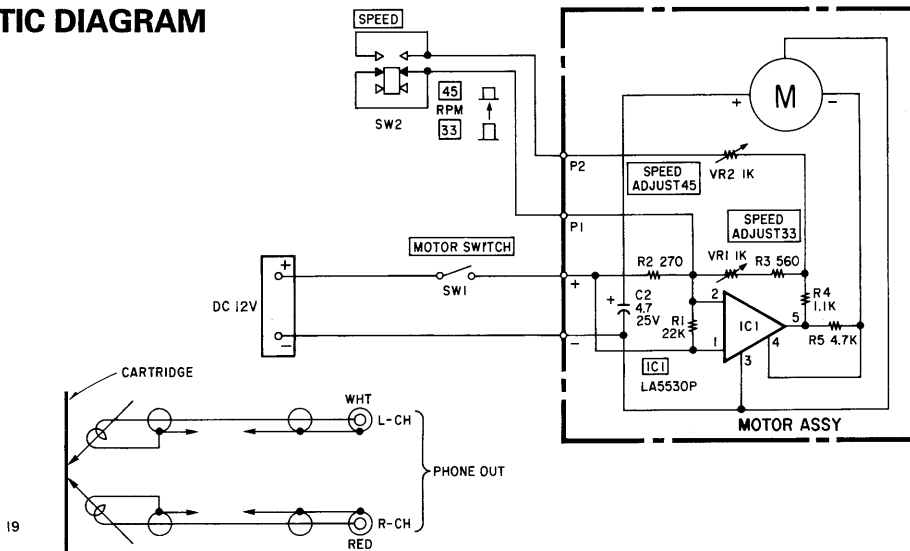
Speed Adjustment

Note: Be sure to perform 45rpm adjustment before 33rpm.

1. Place a stroboscope board on the turntable sheet.
Press the START button.
Adjust VR2 so that the striped pattern of stroboscope board is stationary.
3. Set the SPEED switch to 33.
Adjust VR1 in the same way.



SCHEMATIC DIAGRAM



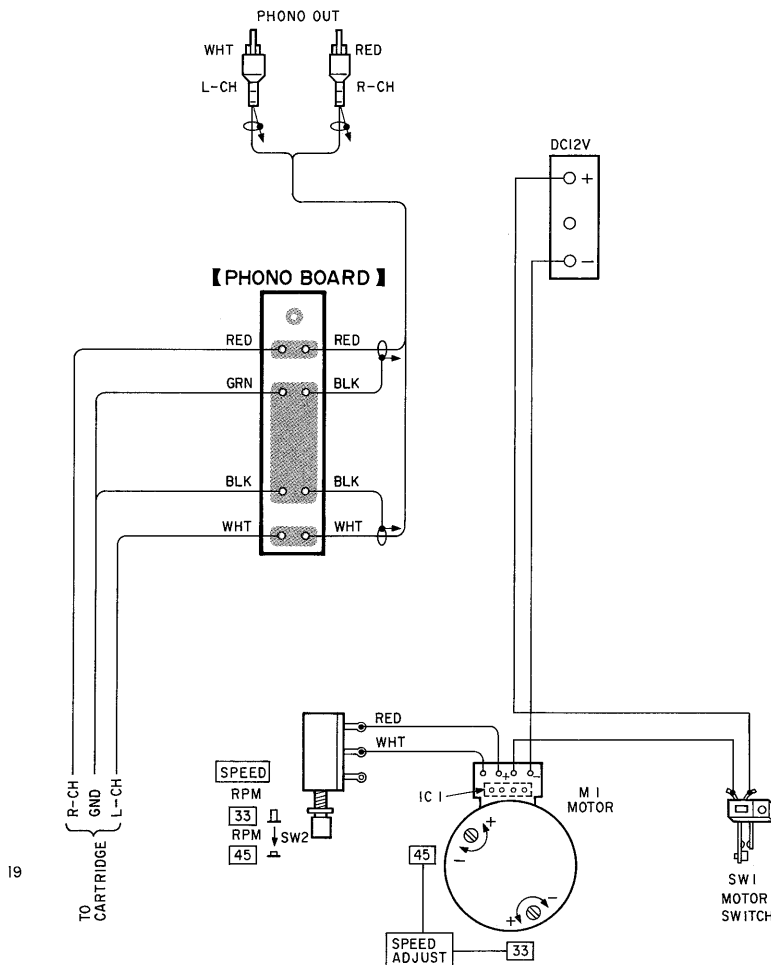
NOTE:

- All capacitors are in μF unless otherwise noted. pF: μF 50WV or less are not indicated except for electrolytics and tantalums.
- All resistors are in Ω and 1/4W or less unless otherwise specified.

• Switches :

Ref. No.	Switch	Position
SW1	MOTOR	OFF
SW2	SPEED	33

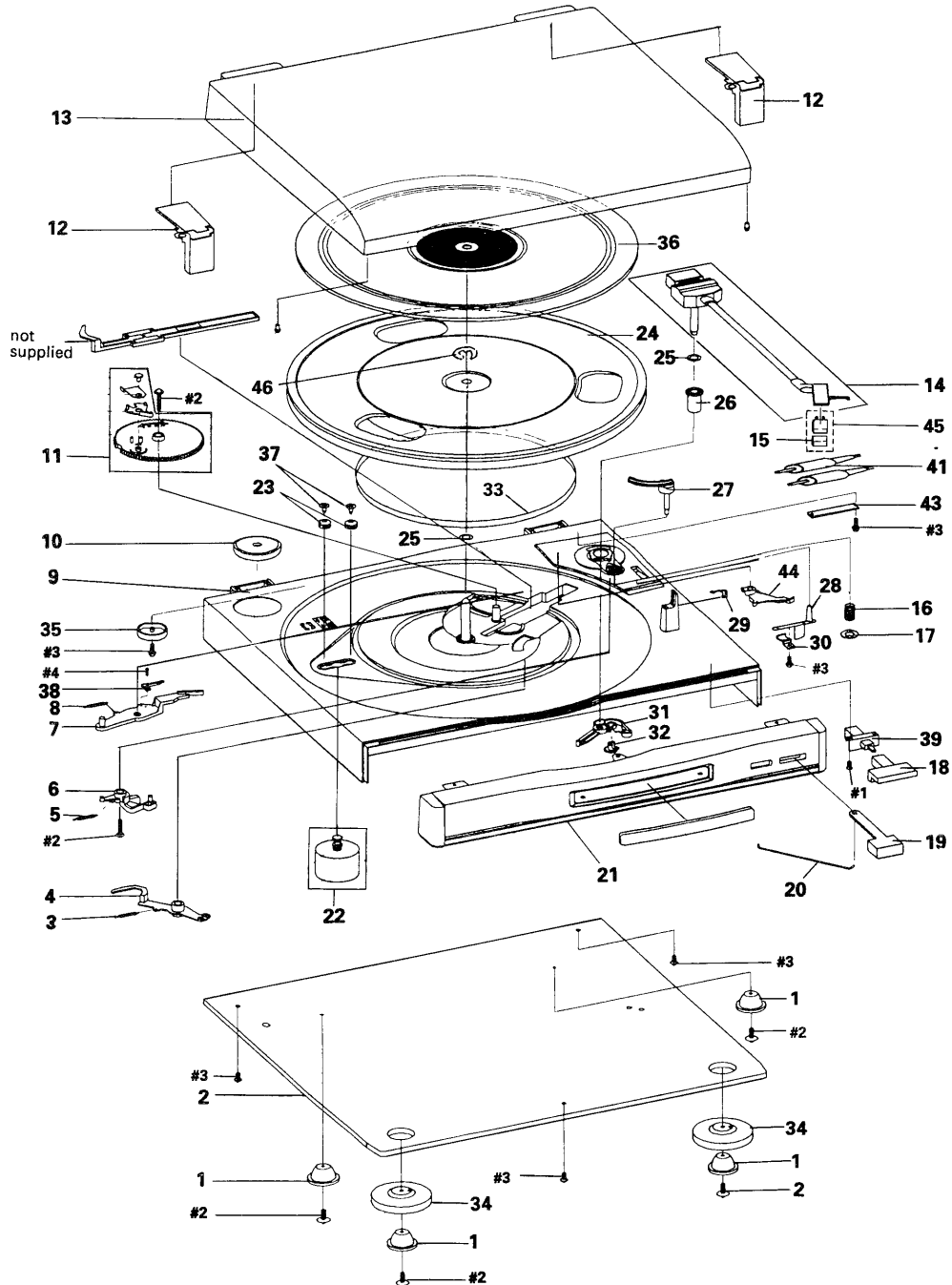
WIRING DIAGRAM



EXPLODED VIEW

NOTE:

- -XX, -X mean standardized parts, so they may have some differences from the original one.
- The construction parts of an assembled part are indicated with a collation number in the remark column.
- Items marked "*" are not stocked since they are seldom required for routine service. Some delay should be anticipated when ordering these items.
- The mechanical parts with no reference number in the exploded views are not supplied.
- Screw(# mark) list is given in the last of this parts list.



Ref. No.	Part No.	Description	Remarks	Ref. No.	Part No.	Description	Remarks
1	4-955-842-01	FOOT RUBBER		6	4-950-454-01	ELEVATOR	
* 2	4-956-082-01	COVER-BOTTOM		7	4-950-463-01	ARM-CONTROL	
3	4-950-453-01	SPRING-REJECT		8	4-950-464-01	SPRING-CONTROL ARM	
4	4-950-452-01	LEVER-REJECT		* 9	4-950-431-01	CABINET-UPPER	
5	4-950-455-01	SPRING-ELEVATOR					

Ref.No.	Part No.	Description	Remarks	Ref.No.	Part No.	Description	Remarks
10	4-950-467-01	ADAPTOR-45RPM		28	4-950-440-01	LEVER-CUEING	
11	A-4660-140-A	GEAR ASSY, RING		29	4-950-439-01	LOCKER-ARM	
12	4-950-432-01	HINGE		30	4-950-441-01	BRACKET-CUEING	
13	A-4660-138-A	COVER ASSY, DUST		31	4-950-450-01	ARM-FEED	
14	A-4660-139-A	ARM ASSY, TONE		32	4-950-451-01	CAM-ADJUST	
15	4-951-290-01	STYLUS (CN-234)		33	4-950-434-01	BELT	
16	4-950-442-01	SPRING-ELEVATION		34	4-950-474-01	COVER-FOOT	
17	4-950-444-01	WASHER-C/S		35	4-956-083-01	HOLDER, CORD	
18	4-950-445-01	BUTTON-SPEED		36	4-950-505-01	RUBBER SHEET	
19	4-950-447-01	BUTTON-REJECT		37	4-950-469-01	SCREW-SETTING MOTOR	
20	4-956-081-01	LINK-REJECT		38	1-572-746-11	SWITCH, LEAF	
21	A-4660-137-A	PANEL (G) ASSY, FRONT		39	1-572-744-11	SWITCH, PUSH (2 KEY) (SPEED)	
22	A-4660-141-A	MOTOR ASSY		41	1-590-871-11	CORD, CONNECTION (3 CORE)	
23	4-950-470-01	CUSHION-MOTOR		43	1-639-237-11	PHONE BOARD	
24	4-950-433-01	PLATTER		44	4-953-060-01	LEVER, SWITCH	
25	4-950-435-01	SPACER		45	1-251-028-11	CARTRIDGE (MAIN)	
26	4-950-436-01	BUSHING-TONE ARM		46	4-953-059-01	E RING	
27	4-950-437-01	ARM-ELEVATION					

ELECTRICAL PARTS LIST

NOTE:

When indicating parts by reference number, please include the board name.

- Due to standardization, replacements in the parts list may be different from the parts specified in the diagrams or the components used on the set.
- -XX, -X mean standardized parts, so they may have some difference from the original one.
- RESISTORS
All resistors are in ohms
METAL : Metal-film resistor
METAL OXIDE : Metal Oxide-film resistor
F : nonflammable
- Items marked "*" are not stocked since they are seldom required for routine service. Some delay should be anticipated when ordering these items.
- SEMICONDUCTORS
In each case, u : μ , for example :
uA...: μ A..., uPA...: μ PA...,
uPB...: μ PB..., uPC...: μ PC...,
uPD...: μ PD...
- CAPACITORS
MF : μ F, PF : $\mu\mu$ F
- COILS
MMH : mH, uH : μ H

Ref.No.	Part No.	Description	Remarks	Ref.No.	Part No.	Description	Remarks
		MISCELLANEOUS *****				ACCESSORIES & PACKING MATERIALS *****	
38	1-572-746-11	SWITCH, LEAF		10	4-950-467-01	ADAPTOR-45RPM	
39	1-572-744-11	SWITCH, PUSH (2 KEY) (SPEED)		36	4-950-505-01	RUBBER SHEET	
41	1-590-871-11	CORD, CONNECTION (3 CORE)		*	4-950-496-01	SNOW BOX (L)	
45	1-251-028-11	CARTRIDGE (MAIN)		*	4-950-503-01	SNOW BOX (R)	
		*****		*	4-950-504-01	CARTON	

HARDWARE LIST

#1	7-685-246-19	SCREW +KTP 3X8 TYPE2 NON-SLIT
#2	7-685-903-21	SCREW +PTPWH 3X8 TYPE2
#3	7-685-646-79	SCREW
#4	7-685-104-19	SCREW +P 2X6 TYPE2 NON-SLIT

Sony Corporation
Audio Group

English
92H1924-1
Printed in Japan
© 1992.9

PS-LX46/LX46P/LX47P

SONY SERVICE MANUAL

US Model
PS-LX47P

AEP Model
PS-LX46/LX46P

UK Model
PS-LX46P/LX47P

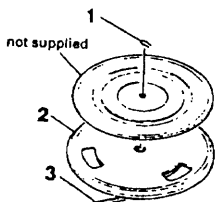
E Model
PS-LX47P

Australian Model
PS-LX47P

CORRECTION-1

Correct your service manual as shown below.

 : indicates corrected portion.

Page	INCORRECT			CORRECT		
	No.	Part No.	Description	No.	Part No.	Description
5	2	A-4604-243-A	TURNTABLE ASSY	2	A-4604-243-A	TURNTABLE ASSY (except US)
				2	A-4604-942-A	TURNTABLE ASSY (US)
38	4-943-948-01	PANEL, FRONT		38	4-943-948-01	PANEL, FRONT (PS-LX46)
				38	4-943-942-01	PANEL, FRONT (PS-LX46P)
				38	4-943-951-01	PANEL, FRONT (PS-LX47P : E, UK, Australian)
				38	4-943-951-11	PANEL, FRONT (US)
	<p>—— not supplied ——</p> 			52	4-896-334-01	SHEET, TURNTABLE (except US)
				52	4-896-518-11	TURNTABLE MAT (US)
						