

PS-LX49/LX49P

SERVICE MANUAL



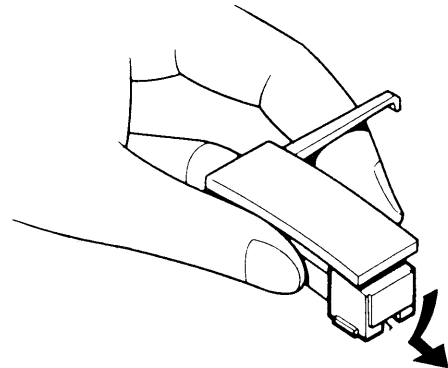
Photo : PS-LX49

AEP Model
E Model
PX Model
Tourist Model
PS-LX49
Australian Model
PS-LX49P

SPECIFICATIONS

Turntable	
Platter	30cm (12 in.)
Motor	DC servo motor
Drive system	Belt drive
Speed	33 1/3 rpm/45 rpm switchable
Wow and flutter	0.2% (WRMS)
Signal-to-noise ratio	60 dB (DIN-B)
Automatic system	Return, reject
Tonearm	
Type	Dynamically balanced
Pivot-to-stylus length	203 mm (8 in.)
Overall arm length	235 mm (9 1/4 in.)
Cartridge	
Type	Moving magnet type
Frequency response	20 Hz-20kHz
Stylus	CN-234
General	
Dimensions	355 × 94 × 345 mm(w/h/d) (14 × 3 3/4 × 13 5/8 inches)
Weight	Approx. 2.5 kg (5 lb 8 oz)
Power requirement	AEP, Italian, Germany model: 220-230 V AC, 50/60 Hz PX, Tourist, E, Saudi Arabia model: 110-120 V/220-240V AC, Adjustable with the voltage selector, 50/60 Hz Australia model 12V DC
Power consumption	2 W
Accessory supplied	45-rpm adaptor (1)
Optional accessories	Replacement stylus CN-234 Stat spray XP-C10 Cleaner XP-C1, XP-C2

REPLACING THE STYLUS



Replace the stylus after about 400 hours of use because using a worn stylus will damage records. An CN-234 replacement stylus is available at your Sony dealer.

Be sure to turn the amplifier off before proceeding with replacement.

- 1 While holding the cartridge, detach the stylus assembly as illustrated.
- 2 Insert the new stylus into the cartridge.

Design and specifications subject to change without notice.

Note

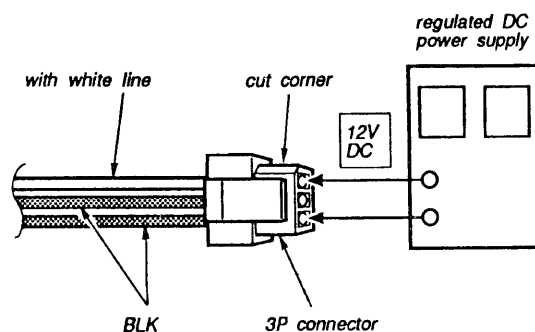
This appliance conforms with EEC Directive 87/308/EEC regarding interference suppression.

STEREO TURNTABLE SYSTEM
SONY®

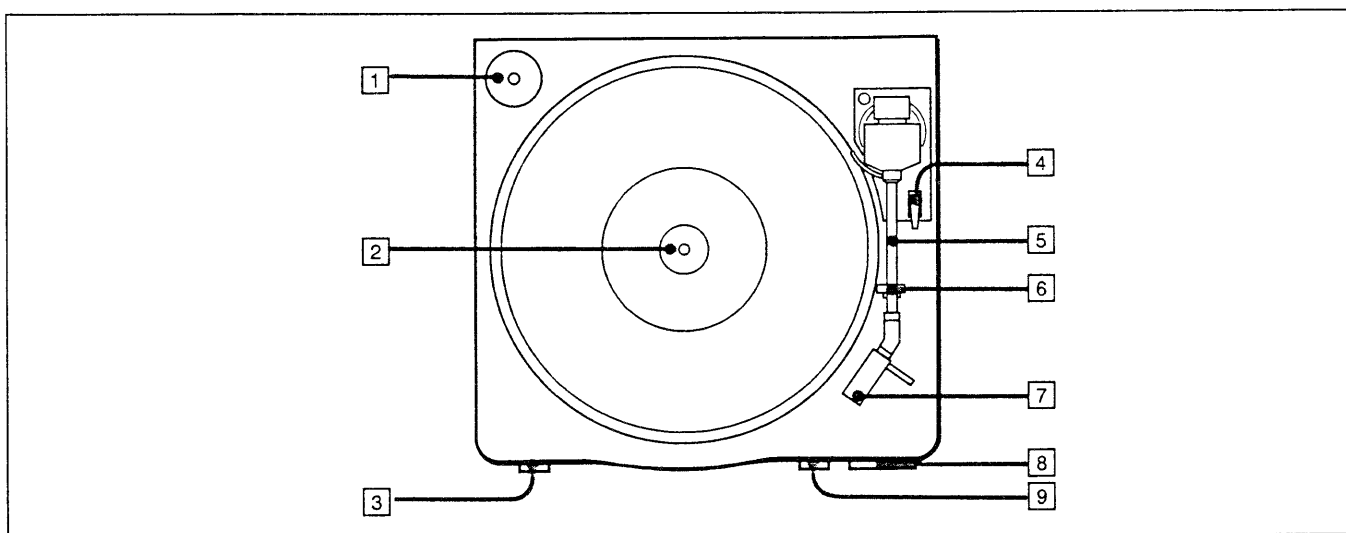
REPAIRING PRECAUTION (PS-LX49P only)

[To supply B+ voltage]

The power of this unit is fed from HST model. Because of this, connect the regulated power supply as illustrated right when this unit alone operates.

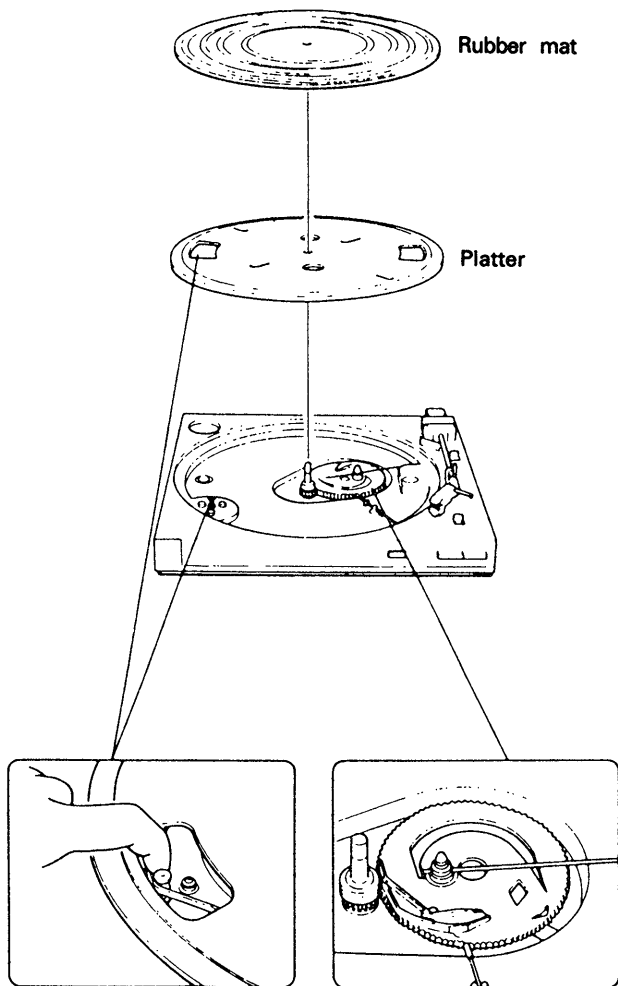


LOCATION OF CONTROLS



- 1** 45-rpm adaptor
- 2** Center spindle
- 3** POWER switch (PS-LX49 only)
- 4** Cueing lever
- 5** Tonearm
- 6** Arm rest
- 7** Cartridge
- 8** REJECT button
- 9** Speed selector

TURNTABLE ASSEMBLY

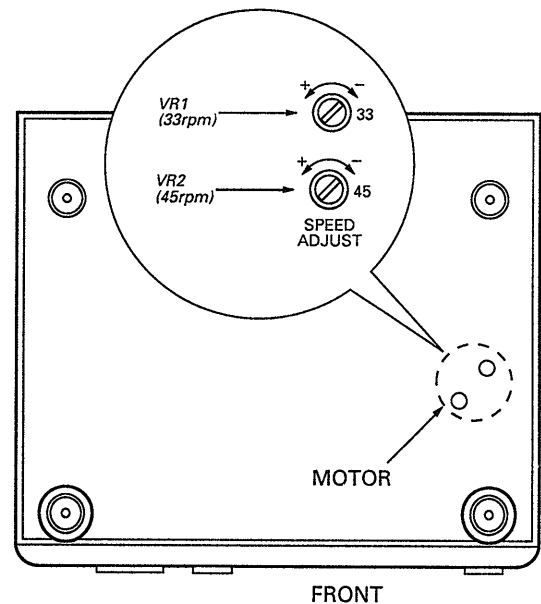


Hook the belt on the motor pulley.
If the belt is removed from the platter, replace it with the glossy side outward.

Speed Adjustment

Note: Be sure to perform 45rpm adjustment before 33rpm.

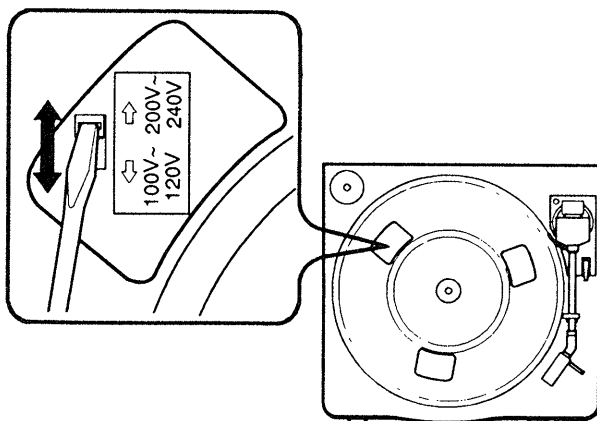
1. Place a stroboscope board on the turntable sheet.
2. Set the SPEED switch to 45.
Press the START button.
Adjust VR2 so that the striped pattern of stroboscope board is stationary.
3. Set the SPEED switch to 33.
Adjust VR1 in the same way.

**Setting the Voltage Selector**

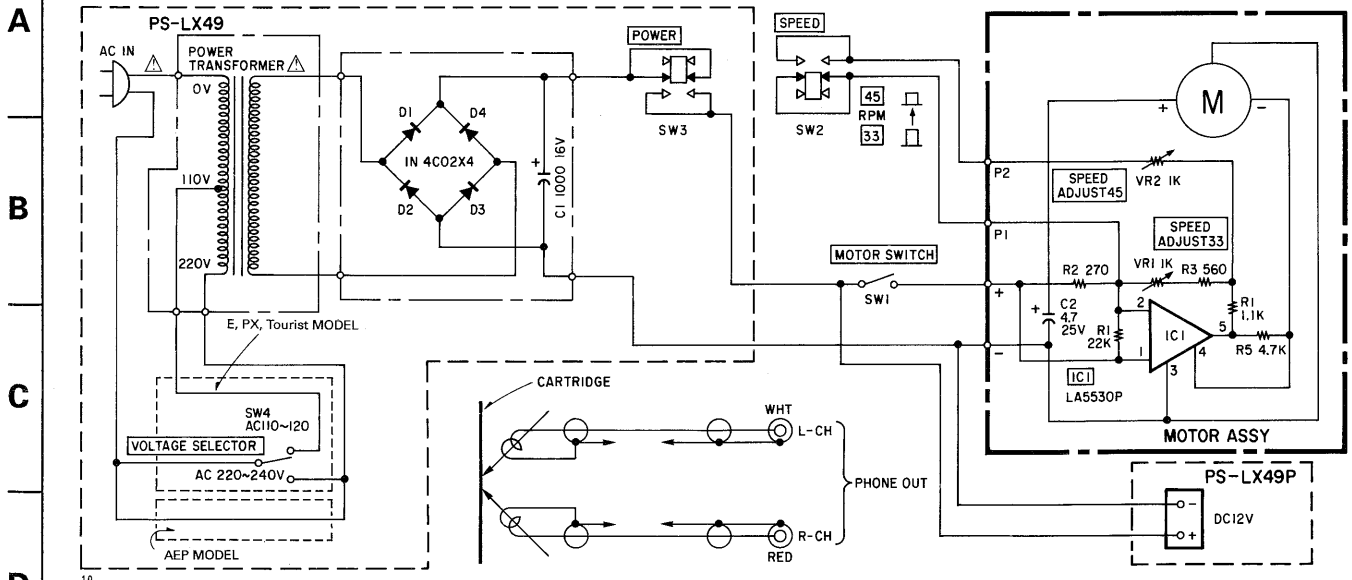
PS-LX49 (E, Saudi Arabia, PX, Tourist model)

For customers of the model equipped with the voltage selector

Check to confirm that the voltage selector is set to the local power line voltage. If not, set the voltage selector to the correct position before connecting the AC power cord to a wall outlet.



SCHEMATIC DIAGRAM



NOTE:

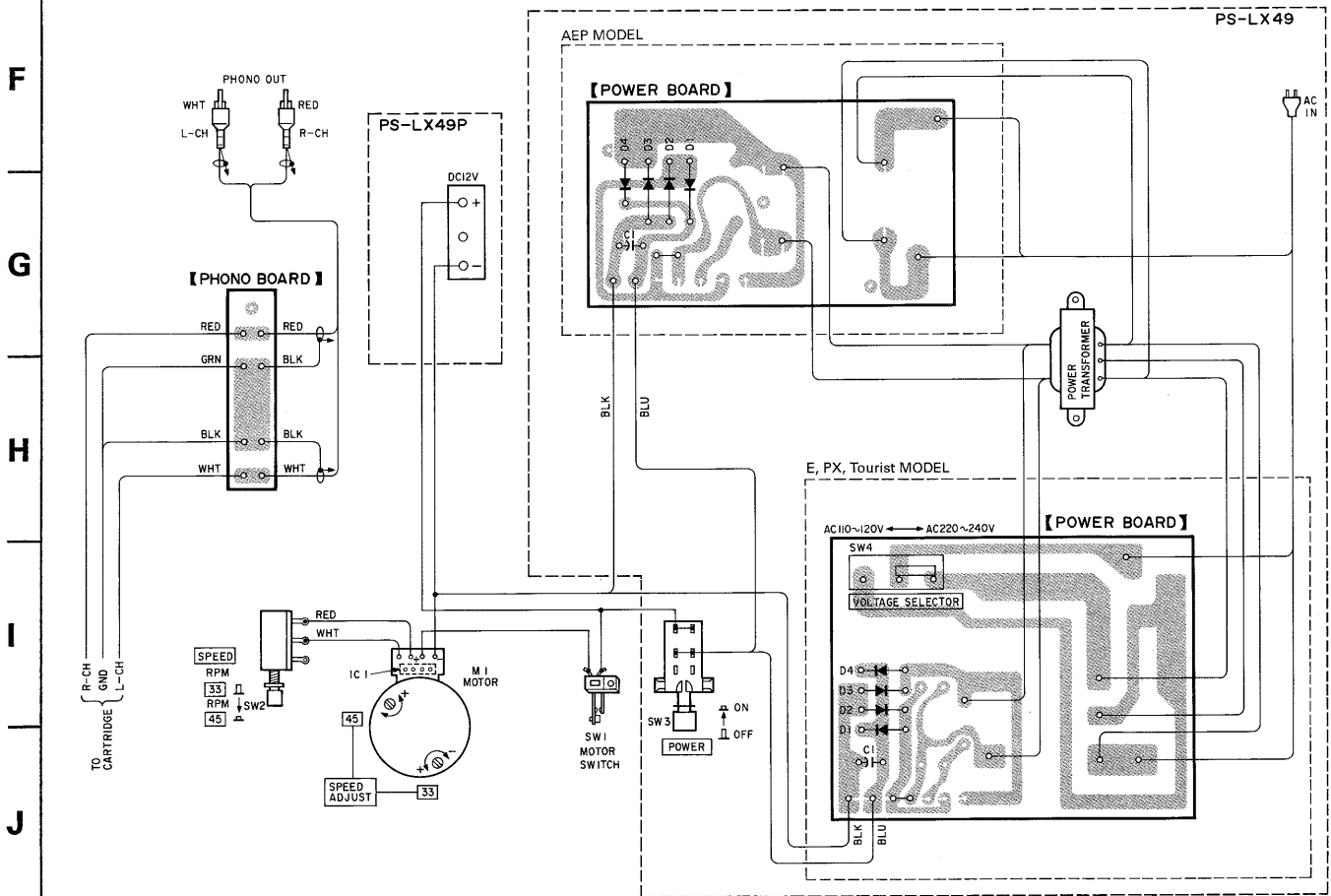
- All capacitors are in μF unless otherwise noted. $\text{pF} : \mu\text{F} 50\text{WV}$ or less are not indicated except for electrolytics and tantalums.
- All resistors are in Ω and $1/4\text{W}$ or less unless otherwise specified.

• Switches :

Ref.No.	Switch	Position
SW1	MOTOR	OFF
SW2	SPEED	33
SW3	POWER	OFF

The components identified by mark Δ or dotted line with mark Δ are critical for safety. Replace only with part number specified.

WIRING DIAGRAM



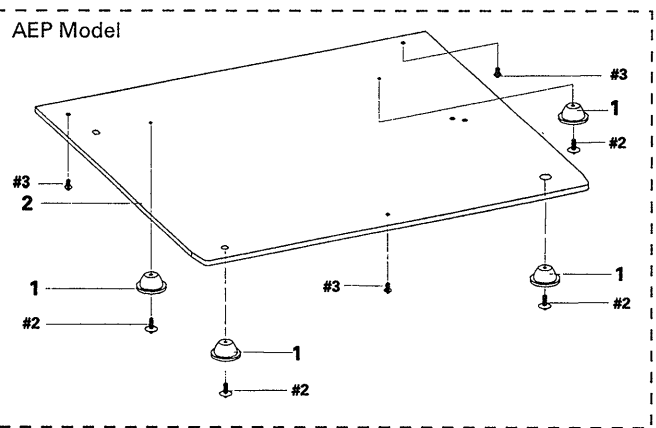
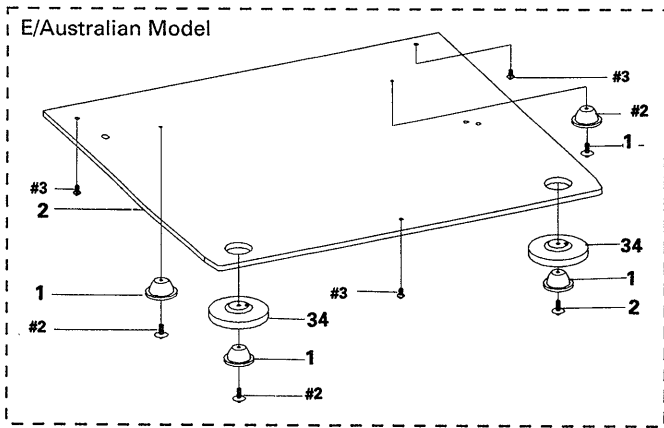
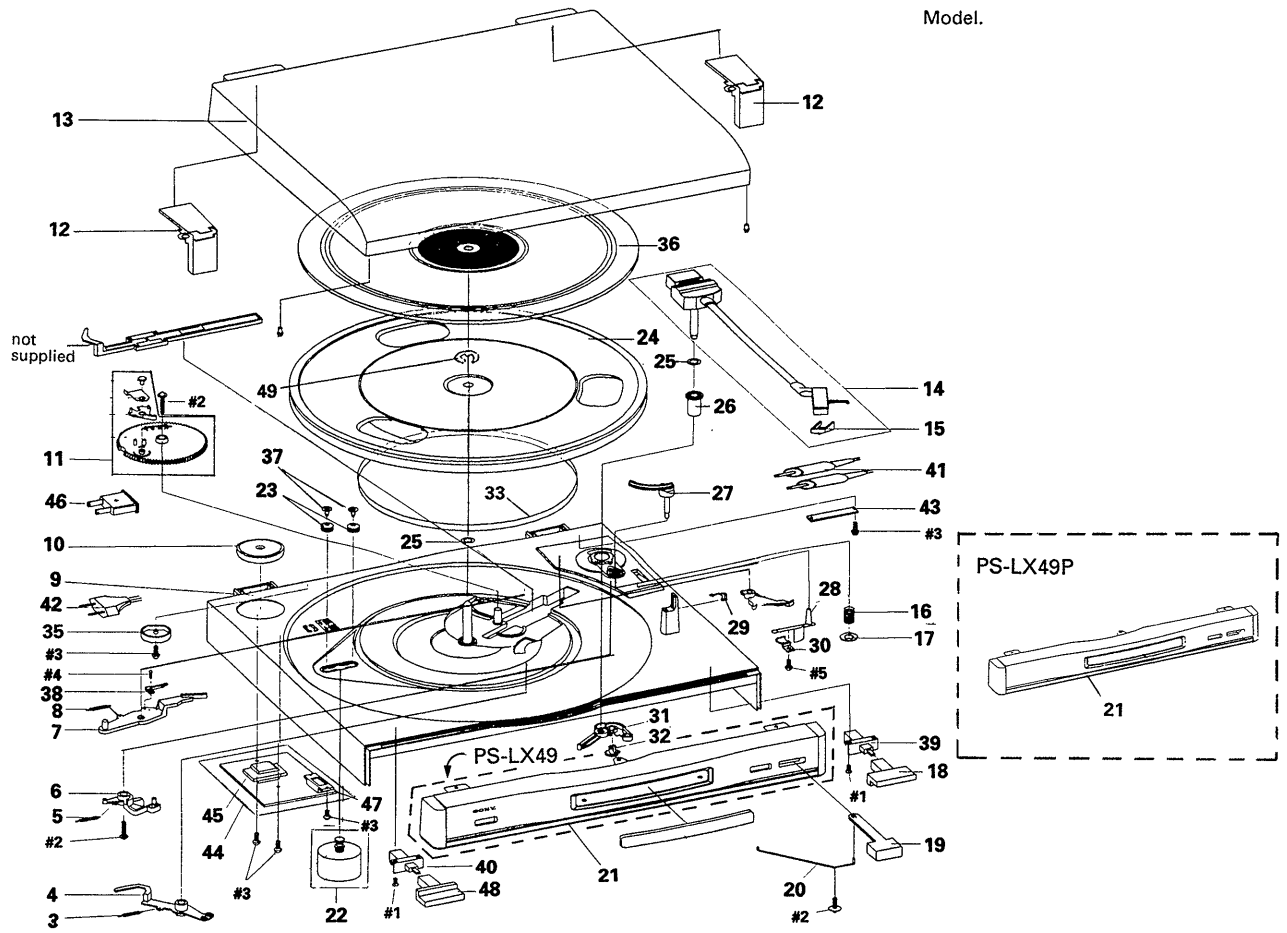
EXPLODED VIEW

NOTE:

- -XX, -X mean standardized parts, so they may have some differences from the original one.
- The construction parts of an assembled part are indicated with a collation number in the remark column.
- Items marked "*" are not stocked since they are seldom required for routine service. Some delay should be anticipated when ordering these items.
- The mechanical parts with no reference number in the exploded views are not supplied.
- Screw(# mark) list is given in the last of this parts list.

The components identified by mark Δ or dotted line with mark Δ are critical for safety. Replace only with part number specified.

- PX and Tourist Models are identical to E Model.



Ref. No.	Part No.	Description	Remarks	Ref. No.	Part No.	Description	Remarks
1	4-950-472-01	FOOT		5	4-950-455-01	SPRING-ELEVATOR	
* 2	4-950-471-01	COVER-BOTTOM (AUS, E)		6	4-950-454-01	ELEVATOR	
* 2	4-953-061-01	COVER-BOTTOM (AEP)		7	4-950-463-01	ARM-CONTROL	
3	4-950-453-01	SPRING-REJECT		8	4-950-464-01	SPRING-CONTROL ARM	
4	4-950-452-01	LEVER-REJECT		* 9	4-950-431-01	CABINET-UPPER	

Ref. No.	Part No.	Description	Remarks	Ref. No.	Part No.	Description	Remarks
10	4-950-467-01	ADAPTOR-45RPM		30	4-950-441-01	BRACKET-CUEING	
11	A-4660-140-A	GEAR ASSY, RING		31	4-950-450-01	ARM-FEED	
12	4-950-432-01	HINGE		32	4-950-451-01	CAM-ADJUST	
13	A-4660-138-A	COVER ASSY, DUST		33	4-950-434-01	BELT	
14	A-4660-139-A	ARM ASSY, TONE		34	4-950-474-01	COVER-FOOT (AUS, E)	
15	4-951-290-01	STYLUS (CN-234)		* 35	4-950-514-01	WASHER CODE (AEP, E)	
16	4-950-442-01	SPRING-ELEVATION		36	A-4660-142-A	RUBBER ASSY, SHEET	
17	4-950-444-01	WASHER-C/S		37	4-950-469-01	SCREW-SETTING MOTOR	
18	4-950-445-01	BUTTON-SPEED		38	1-572-746-11	SWITCH, LEAF	
19	4-950-447-01	BUTTON-REJECT		39	1-572-744-11	SWITCH, PUSH (2 KEY) (SPEED)	
20	4-950-448-01	LINK-REJECT		△40	1-572-744-11	SWITCH, PUSH (POWER) (LX49)	
21	A-4660-137-A	PANEL (G) ASSY, FRONT (LX49P) (AUS)		41	1-590-871-11	CORD, CONNECTION (3 CORE)	
21	A-4660-143-A	PANEL (G) ASSY, FRONT (LX49) (AEP, E)		42	1-558-943-11	CORD, POWER (LX49) (E)	
22	A-4660-141-A	MOTOR ASSY		42	1-558-944-11	CORD, POWER (LX49) (AEP)	
23	4-950-470-01	CUSHION-MOTOR		43	1-639-237-11	PHONE BOARD	
24	4-950-433-01	PLATTER		△44	1-639-239-11	POWER BOARD (LX49) (E)	
25	4-950-435-01	SPACER		△44	1-639-236-11	POWER BOARD (LX49) (AEP)	
26	4-950-436-01	BUSHING-TONE ARM		△45	1-450-508-11	TRANSFORMER, POWER (LX49)	
27	4-950-437-01	ARM-ELEVATION		△46	1-693-159-11	ADAPTER, AC (LX49) (E)	
28	4-950-440-01	LEVER-CUEING		△47	1-572-745-11	VOLTAGE SELECTOR (LX49) (E)	
29	4-950-439-01	LOCKER-ARM		48	4-950-513-01	BUTTON POWER (AEP, E)	
				49	4-953-059-01	E RING	

ELECTRICAL PARTS LIST

NOTE:

The components identified by mark △ or dotted line with mark △ are critical for safety.
Replace only with part number specified.

When indicating parts by reference number, please include the board name.

- Due to standardization, replacements in the parts list may be different from the parts specified in the diagrams or the components used on the set.

- -XX, -X mean standardized parts, so they may have some difference from the original one.
- RESISTORS
All resistors are in ohms
METAL : Metal-film resistor
METAL OXIDE : Metal Oxide-film resistor
F : nonflammable
- Items marked “*” are not stocked since they are seldom required for routine service. Some delay should be anticipated when ordering these items.

- SEMICONDUCTORS
In each case, u : μ, for example :
uA...: μA..., uPA...: μPA...,
uPB...: μPB..., uPC...: μPC...,
uPD...: μPD...
- CAPACITORS
MF : μF, PF : μμF
- COILS
MMH : mH, uH : μH
- PX and Tourist Models are identical to E Model.

Ref. No.	Part No.	Description	Remarks	Ref. No.	Part No.	Description	Remarks
		MISCELLANEOUS *****				ACCESSORIES & PACKING MATERIALS *****	
38	1-572-746-11	SWITCH, LEAF		*	4-950-496-01	SNOW BOX (L)	
39	1-572-744-11	SWITCH, PUSH (2 KEY) (SPEED)		*	4-950-503-01	SNOW BOX (R)	
△40	1-572-744-11	SWITCH, PUSH (POWER) (LX49)		*	4-950-504-01	CARTON (AUS)	
41	1-590-871-11	CORD, CONNECTION (3 CORE)		*	4-950-515-01	CARTON (E)	
△42	1-558-943-11	CORD, POWER (LX49) (E)			3-754-841-11	MANUAL, INSTRUCTION (English, French, Spanish, Portuguese) (AEP, E)	
△42	1-558-944-11	CORD, POWER (LX49) (AEP)			3-754-841-41	MANUAL, INSTRUCTION (German, Dutch, Swedish, Italian) (AEP)	
△44	1-639-236-11	POWER BOARD (LX49) (AEP)			*****		
△44	1-639-239-11	POWER BOARD (LX49) (E)			HARDWARE LIST		
△45	1-450-508-11	TRANSFORMER, POWER (LX49)		#1	7-685-246-19	SCREW +KTP 3X8 TYPE2 NON-SLIT	
△47	1-572-745-11	VOLTAGE SELECTOR (LX49) (E)		#2	7-685-903-21	SCREW +PTPWH 3X8 TYPE2	
		*****		#3	7-685-546-19	SCREW	
				#4	7-685-104-11	SCREW +P 2X6 TYPE2 NON-SLIT	