

PS-LX52/LX52P

SERVICE MANUAL REVISED

US Model
Canadian Model
AEP Model
E Model
Australian Model
PS-LX52
UK Model
PS-LX52P



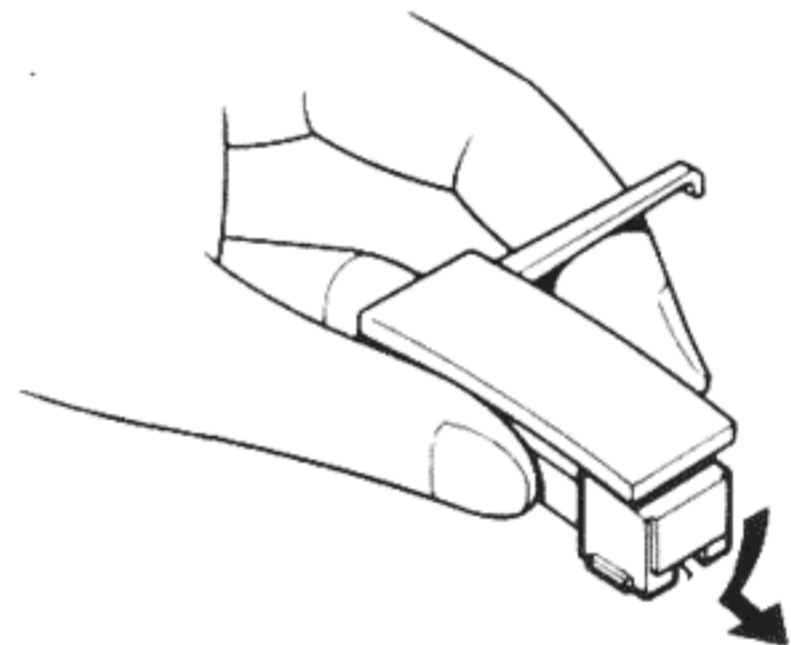
Photo : PS-LX52

• PS-LX52P is the STEREO TURNTABLE SYSTEM in LBT-D109CD/LBT-A17CD/LBT-D108CD/LBT-D159CD/LBT-D209CD/LBT-D259CD/LBT-D309CD/LBT-D359CD.

SPECIFICATIONS

Turntable	
Platter	30cm (12 in.)
Motor	DC servo motor
Drive system	Belt drive
Speed	33 $\frac{1}{3}$ rpm/45 rpm switchable
Wow and flutter	0.2% (WRMS)
Signal-to-noise ratio	60 dB (DIN-B)
Automatic System	Return, reject
Tonearm	
Type	Dynamically balanced
Pivot-to-stylus length	203 mm (8 in.)
Overall arm length	235 mm (9 $\frac{1}{4}$ in.)
Cartridge	
Type	Moving magnet type
Frequency response	20 Hz-20 kHz
Stylus	ND-155G
General	
Dimensions	355 x 94 x 345 mm(w/h/d) (14 x 3 $\frac{3}{4}$ x 13 $\frac{5}{8}$ inches)
Weight	Approx. 2.5 kg (5 lb 8 oz)
Power requirement	US, Canadian model: 120V AC, 60 Hz AEP, Italian, East European, CIS model: 220-230V AC, 50/60 Hz UK model: 12V DC PX, E, Saudi Arabia, Singapore, Malaysia model: 110-120V/220-240V AC, adjustable with the voltage selector, 50/60 Hz Australian model: 240V AC, 50 Hz
Power consumption	4W (except UK model)
Accessory supplied	45-rpm adaptor (1)
Optional accessories	Replacement stylus ND-155G Stat spray XP-C10 Cleaner XP-C1, XP-C2

REPLACING THE STYLUS



Replace the stylus after about 400 hours of use because using a worn stylus will damage records. An ND-155G replacement stylus is available at your Sony dealer. Be sure to turn the amplifier off before proceeding with replacement.

1. While holding the cartridge, detach the stylus assembly as illustrated.
2. Insert the new stylus into the cartridge.

Design and specifications subject to change without notice.

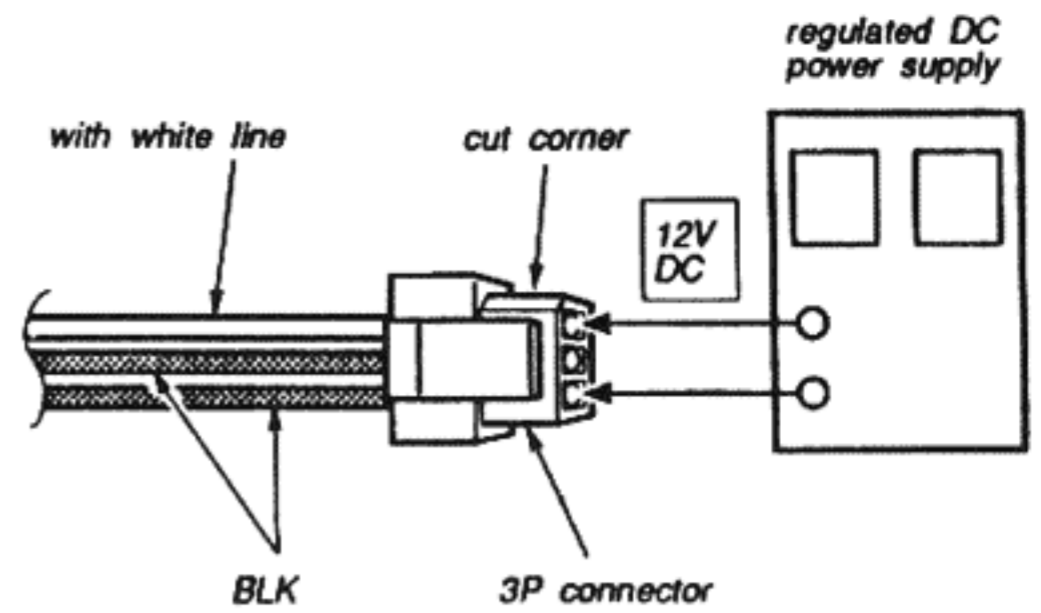


STEREO TURNTABLE SYSTEM
SONY®

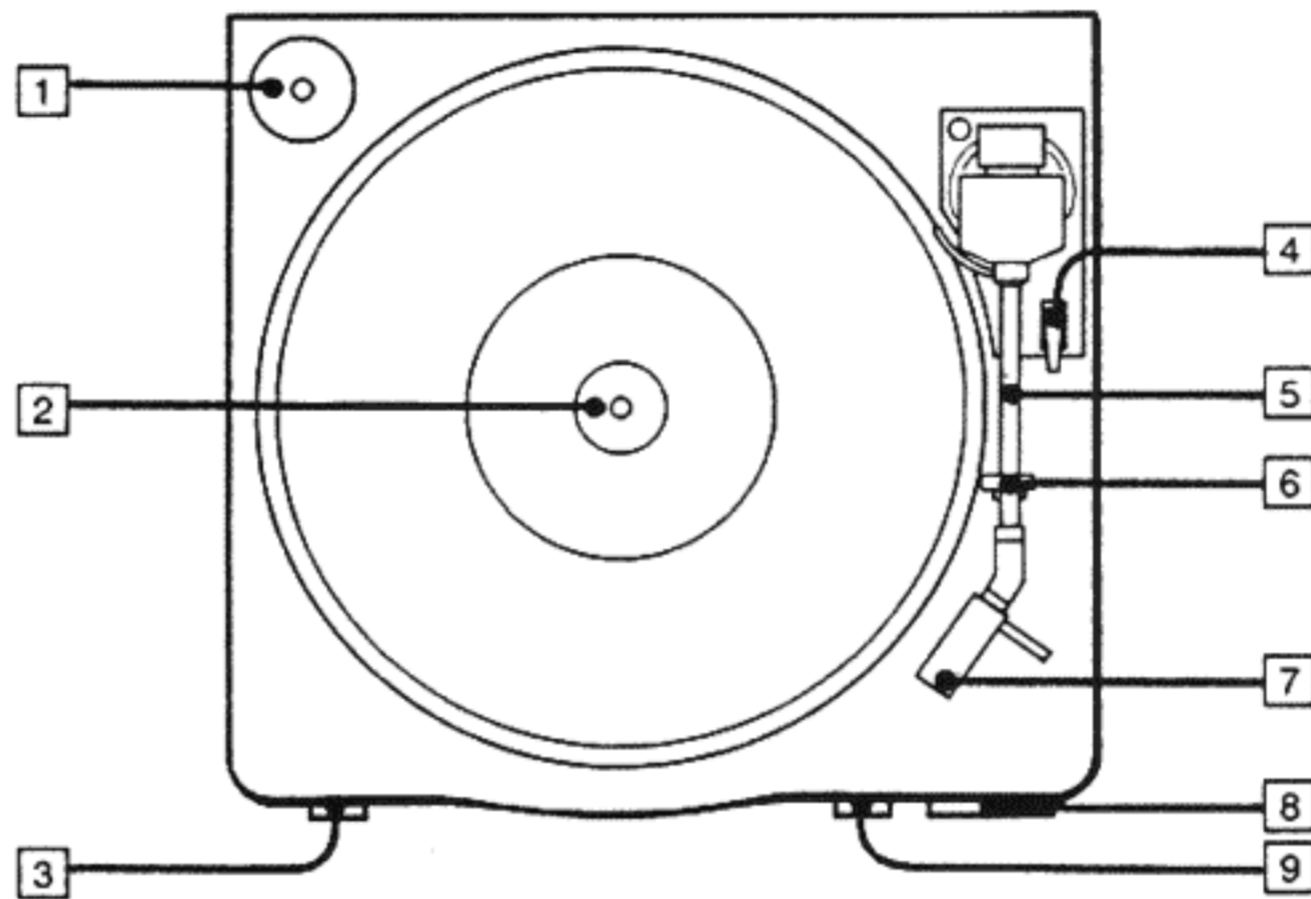
REPAIRING PRECAUTION (PS-LX52P only)

[To supply B+voltage]

The power of this unit is fed from HST model. Because of this, connect the regulated power supply as illustrated right when this unit alone operates.

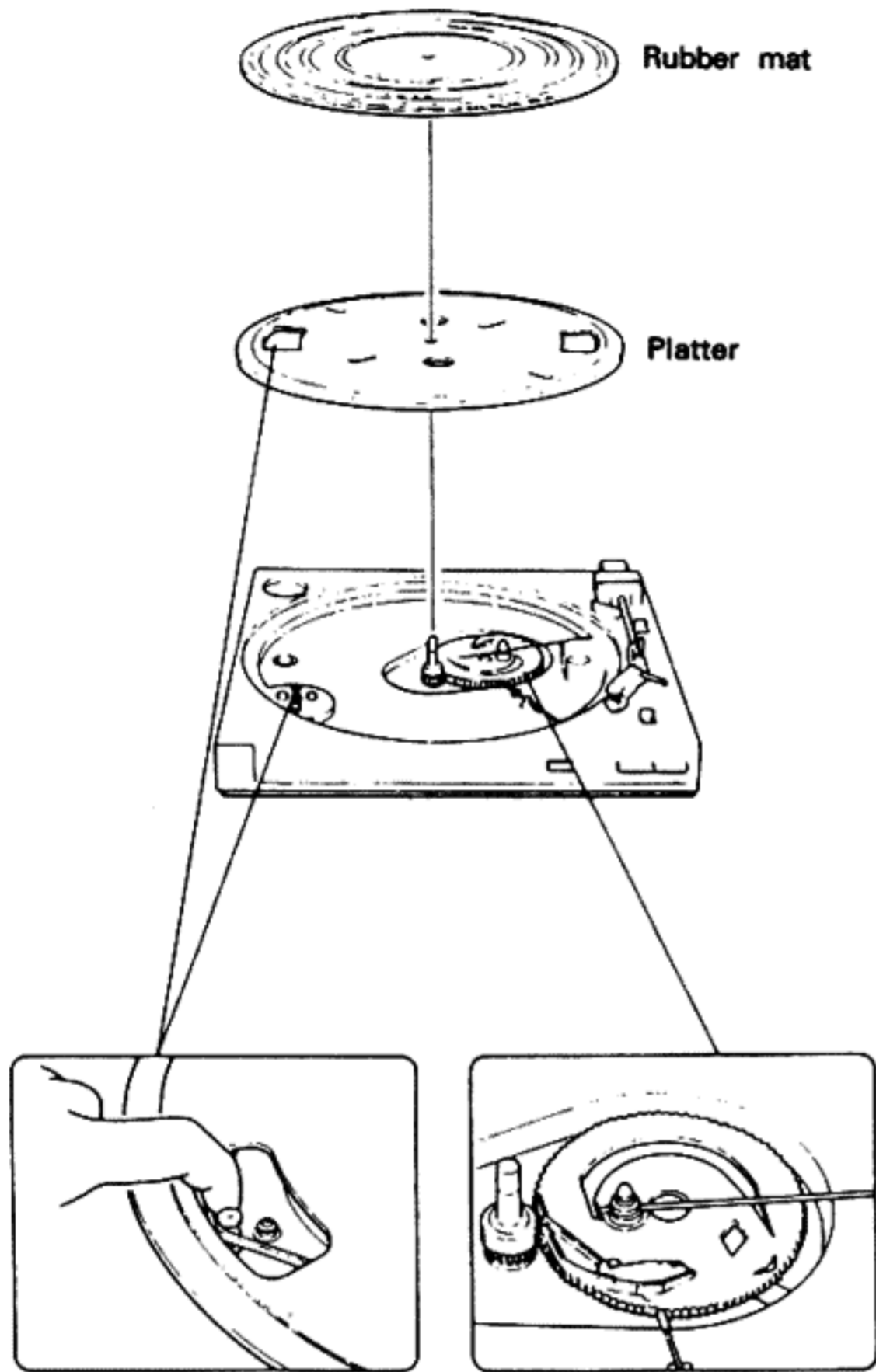


LOCATION OF CONTROLS



- 1 45-rpm adaptor
- 2 Center spindle
- 3 POWER switch (PS-LX52 only)
- 4 Cueing lever
- 5 Tonearm
- 6 Arm rest
- 7 Cartridge
- 8 REJECT button
- 9 Speed selector

TURNTABLE ASSEMBLY

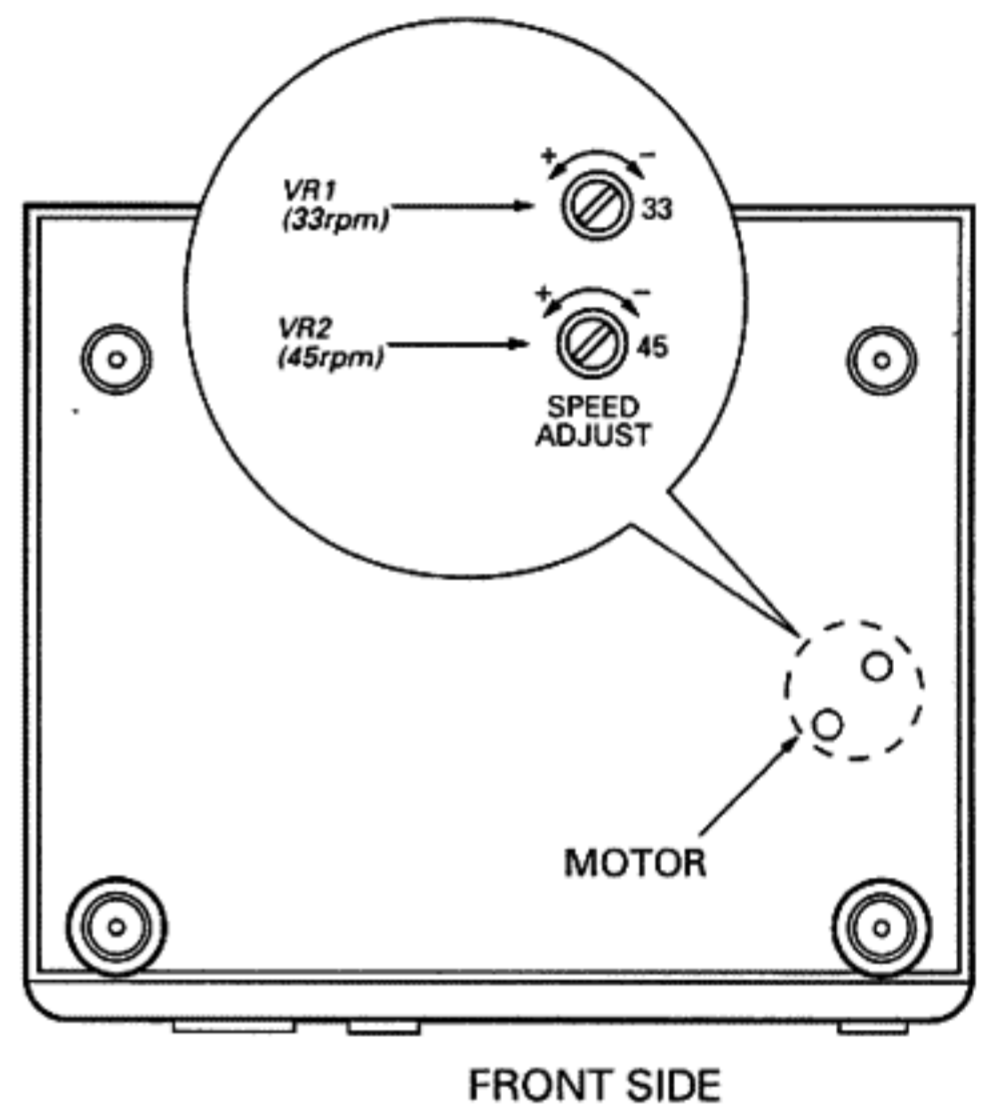


Hook the belt on the motor pulley.
If the belt is removed from the platter, replace it with the glossy side outward.

Speed Adjustment

Note: Be sure to perform 45rpm adjustment before 33rpm.

1. Place a stroboscope board on the turntable sheet.
Set the SPEED switch to 45.
Press the START button.
Adjust VR2 so that the striped pattern of stroboscope board is stationary.
3. Set the SPEED switch to 33.
Adjust VR1 in the same way.

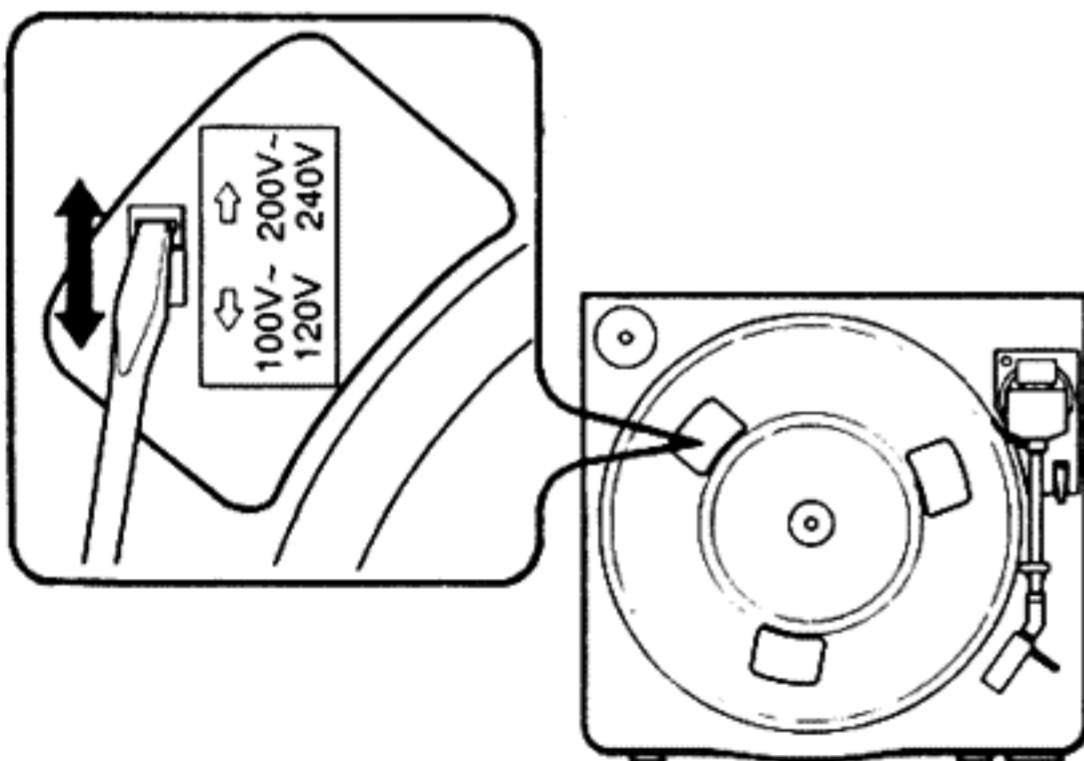


Setting the Voltage Selector

PS-LX52 (E, Saudi Arabia, PX, Singapore, Malaysia model)

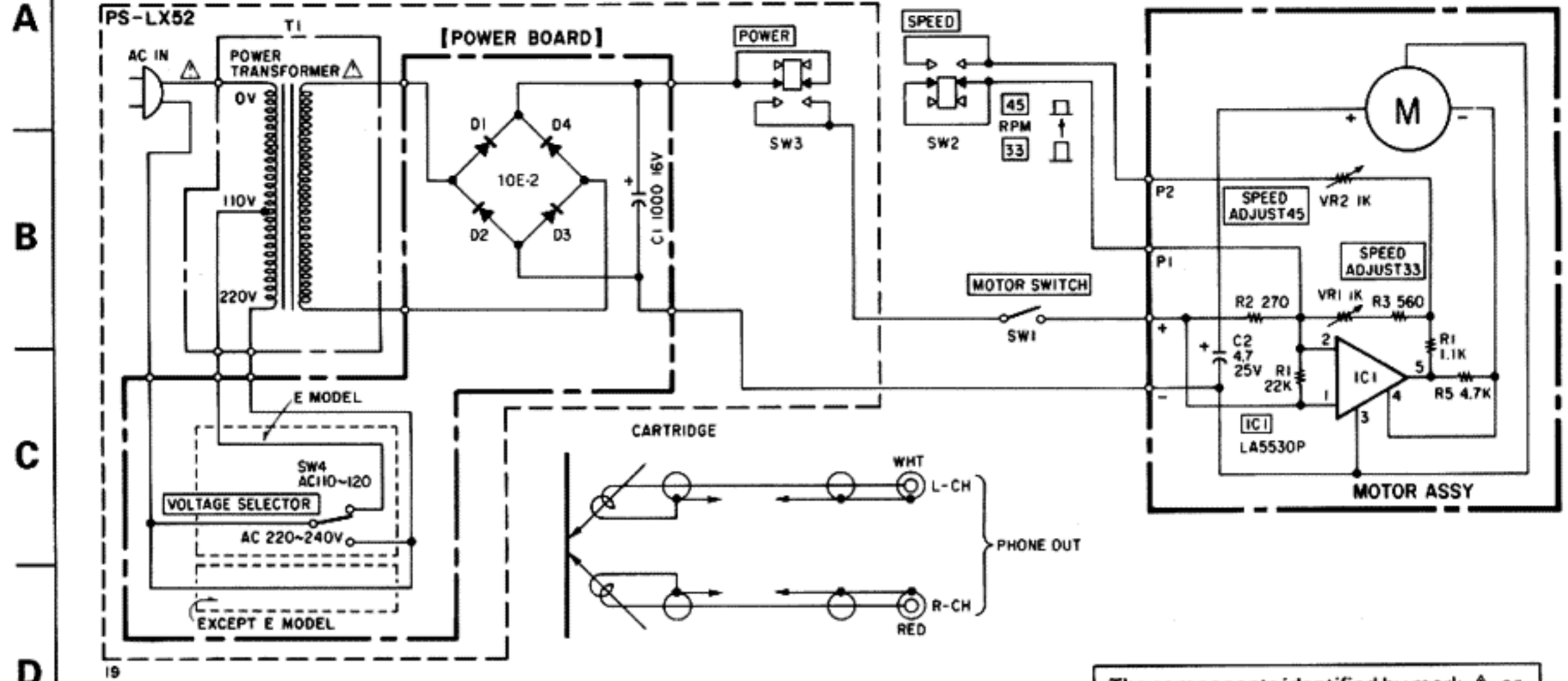
For customers of the model equipped with the voltage selector

Check to confirm that the voltage selector is set to the local power line voltage. If not, set the voltage selector to the correct position before connecting the AC power cord to a wall outlet.



1 2 3 4 5 6 7

SCHEMATIC DIAGRAM



NOTE:

- All capacitors are in μF unless otherwise noted. pF : μF 50WV or less are not indicated except for electrolytics and tantalums.
- All resistors are in Ω and 1/4W or less unless otherwise specified.

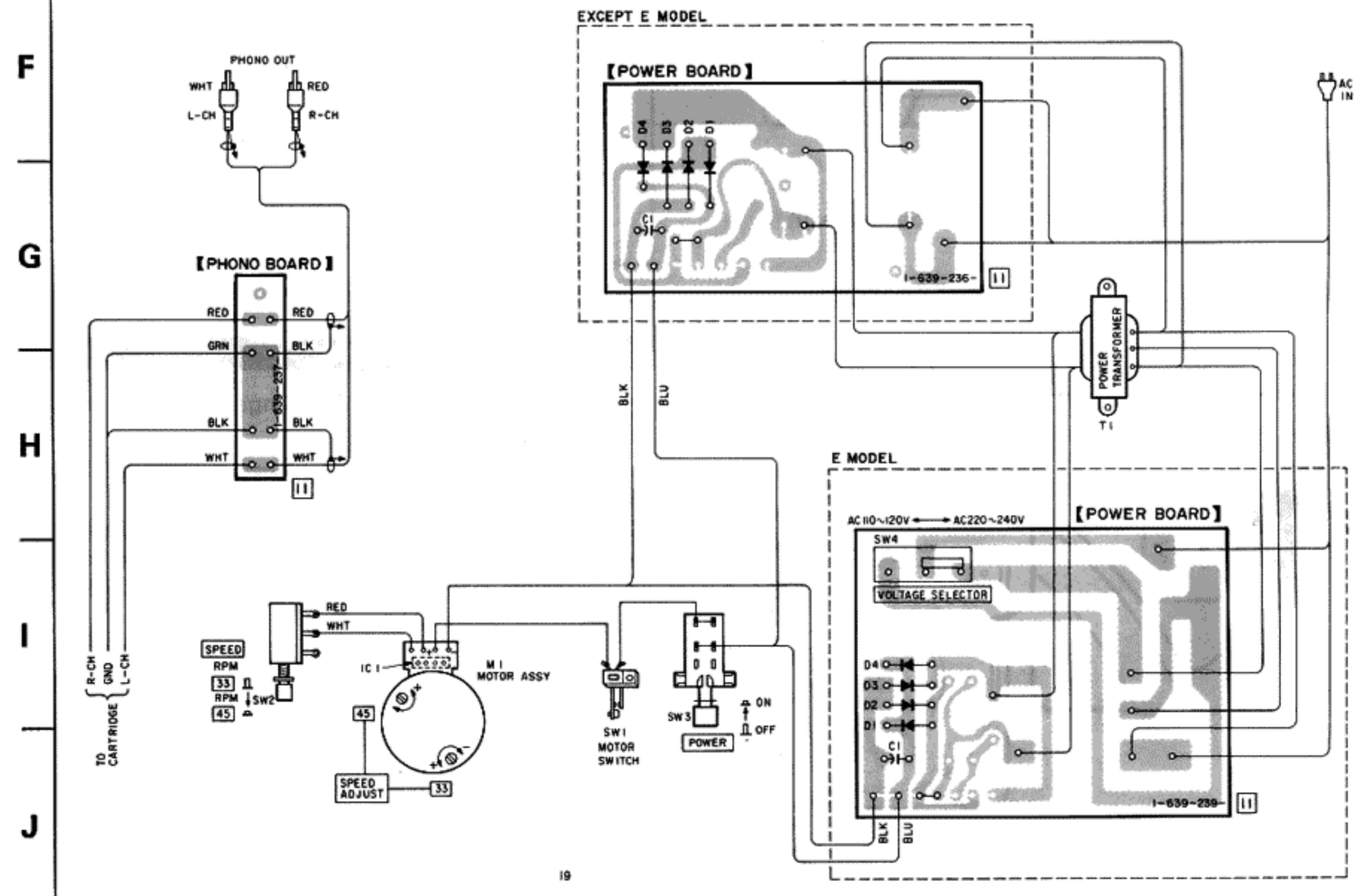
• Switches :

Ref.No.	Switch	Position
SW1	MOTOR	OFF
SW2	SPEED	33
SW3	POWER	OFF

The components identified by mark Δ or dotted line with mark Δ are critical for safety. Replace only with part number specified.

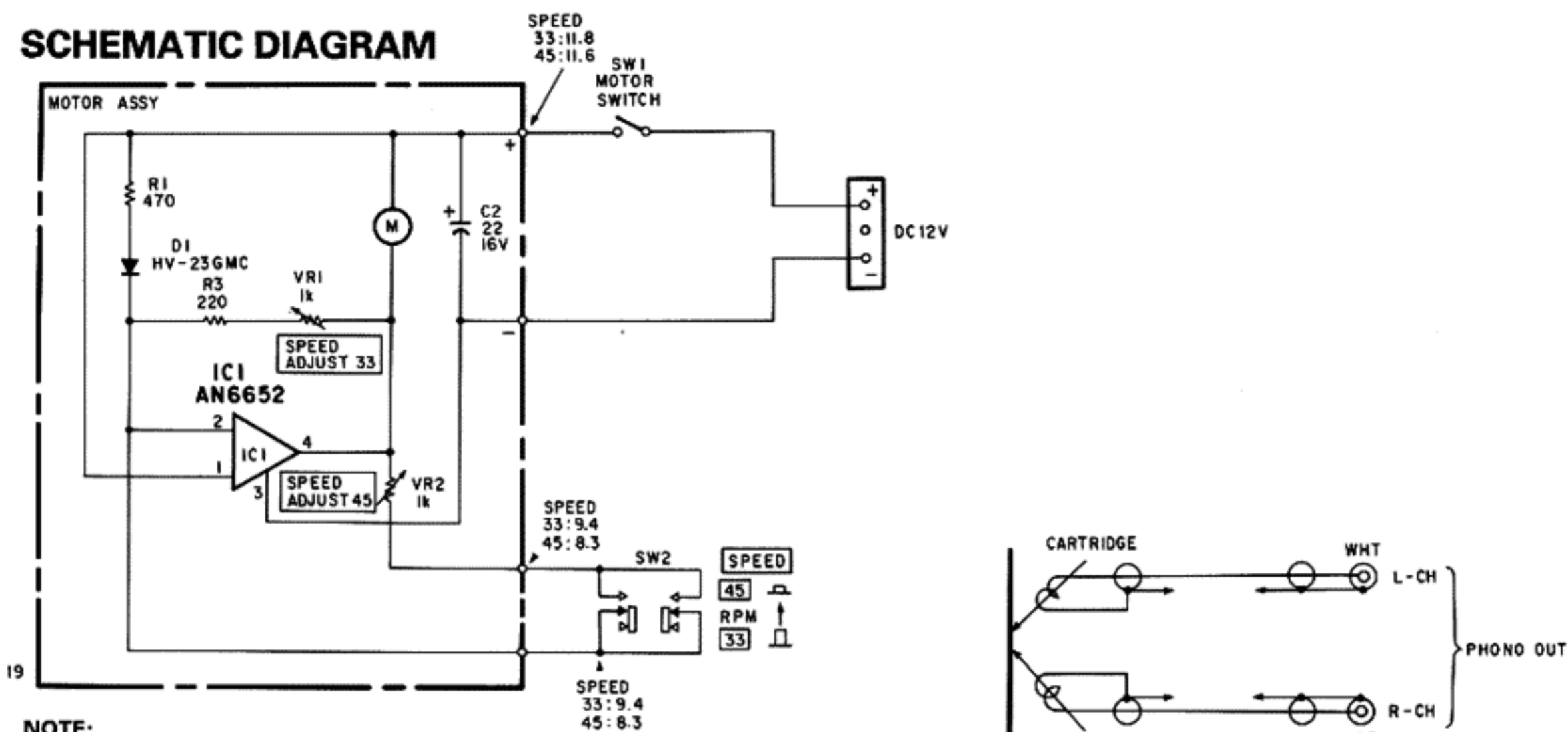
Les composants identifiés par une marque Δ sont critiques pour la sécurité. Ne les remplacer que par une pièce portant le numéro spécifié.

WIRING DIAGRAM



1 2 3 4 5 6 7

SCHEMATIC DIAGRAM



NOTE:

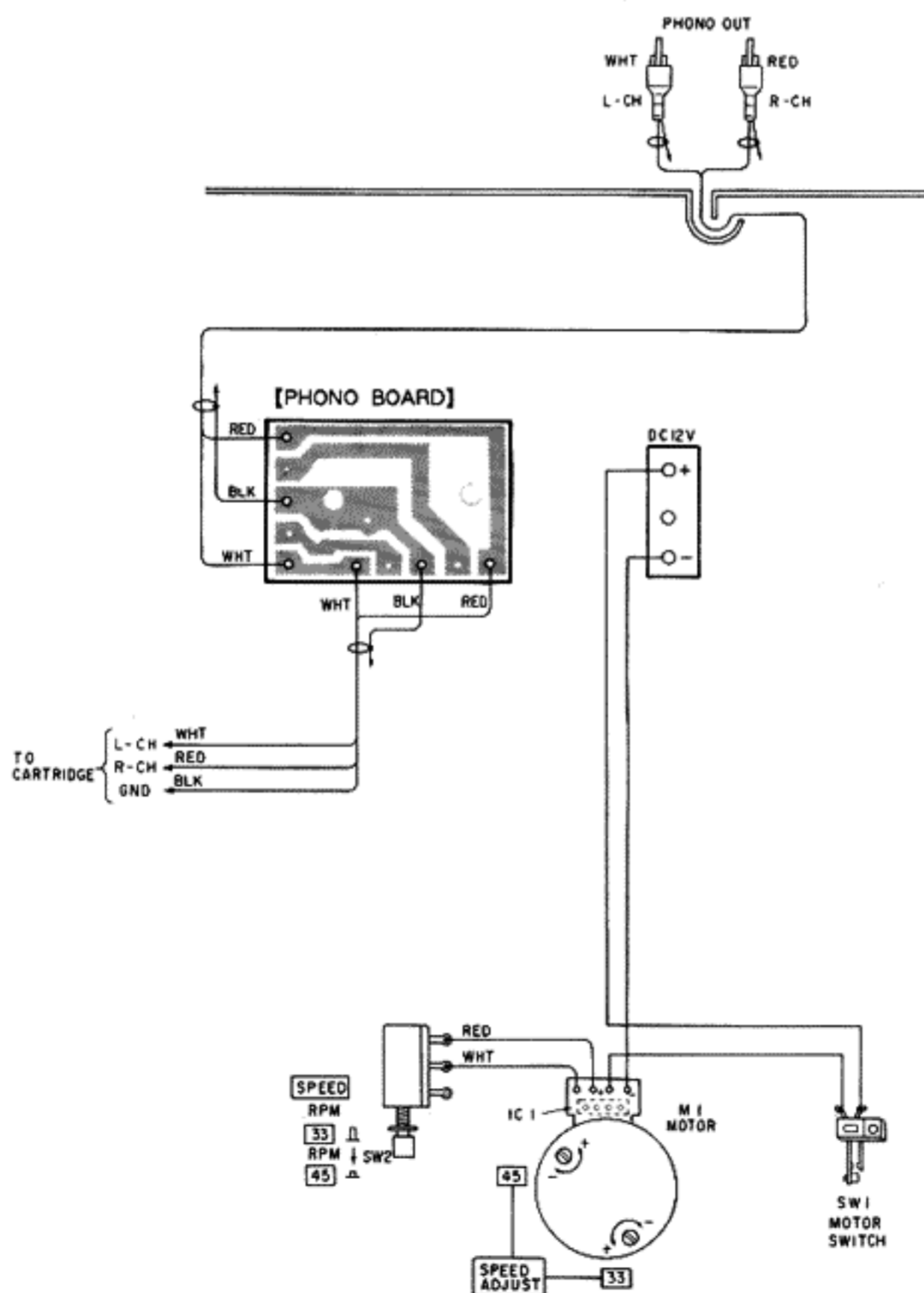
- All capacitors are in μF unless otherwise noted. $\text{pF} : \mu\text{F}$ 50WV or less are not indicated except for electrolytics and tantalums.
- All resistors are in Ω and 1/4W or less unless otherwise specified.

Switches :

Ref.No.	Switch	Position
SW1	MOTOR	OFF
SW2	SPEED	33
SW3	POWER	OFF

The components identified by mark Δ or dotted line with mark Δ are critical for safety. Replace only with part number specified.

WIRING DIAGRAM



EXPLODED VIEW [PS-LX52]

NOTE:

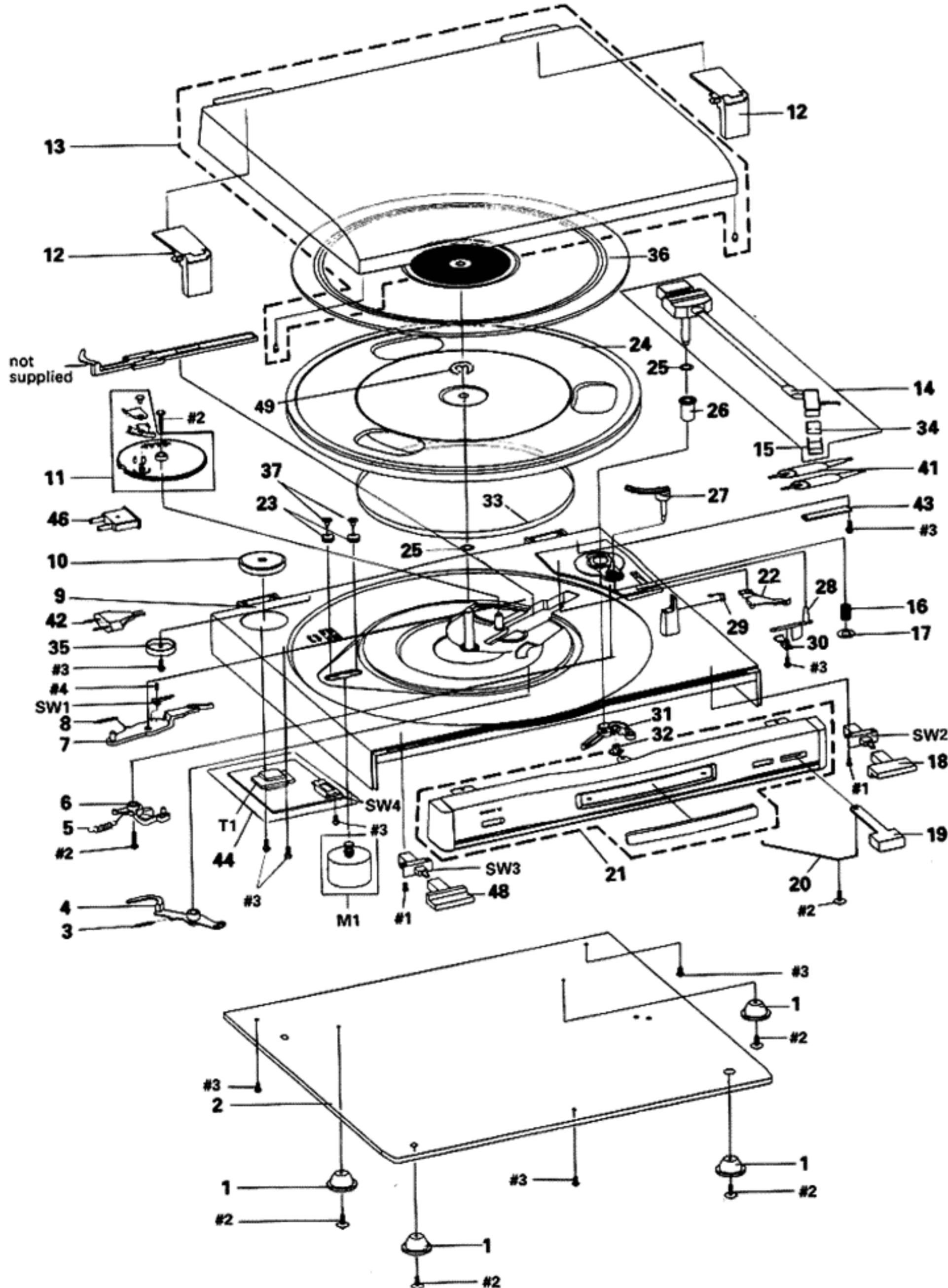
- -XX, -X mean standardized parts, so they may have some differences from the original one.
- The construction parts of an assembled part are indicated with a collation number in the remark column.
- Items marked " * " are not stocked since they are seldom required for routine service. Some delay should be anticipated when ordering these items.
- The mechanical parts with no reference number in the exploded views are not supplied.

- Screw(# mark) list is given in the last of this parts list.

The components identified by mark Δ or dotted line with mark Δ are critical for safety. Replace only with part number specified.

Les composants identifiés par une marque Δ sont critiques pour la sécurité. Ne les remplacer que par une pièce portant le numéro spécifié.

- PX, Saudi Arabia, Singapore and Malaysia models are identical to E model.
- Italian, EE, and CIS models are identical to AEP model.
- AUS: Australian model
- EE: East European model



Ref. No.	Part No.	Description	Remarks	Ref. No.	Part No.	Description	Remarks
1	4-950-472-01	FOOT		28	4-950-440-01	LEVER-CUEING	
* 2	4-958-328-01	COVER-BOTTOM		29	4-950-439-01	LOCKER-ARM	
3	4-950-453-01	SPRING-REJECT		30	4-950-441-01	BRACKET-CUEING	
4	4-950-452-01	LEVER-REJECT		31	4-950-450-01	ARM-FEED	
5	4-950-455-01	SPRING-ELEVATOR		32	4-950-451-01	CAM-ADJUST	
6	4-950-454-01	ELEVATOR		33	4-950-434-01	BELT	
7	4-950-463-01	ARM-CONTROL		34	4-944-756-01	CARTRIDGE (AT-3600LAX)	
8	4-950-464-01	SPRING-CONTROL ARM		* 35	4-950-514-01	WASHER CODE	
* 9	4-950-431-01	CABINET-UPPER		36	A-4660-142-A	RUBBER ASSY, SHEET	
10	4-950-467-01	ADAPTOR-45RPM		37	4-950-469-01	SCREW-SETTING MOTOR	
11	A-4660-140-A	GEAR ASSY, RING		41	1-590-871-11	CORD, CONNECTION (3 CORE)	
12	4-950-432-01	HINGE		△42	1-590-836-11	CORD, POWER (E)	
13	A-4660-138-A	COVER ASSY, DUST		△42	1-551-294-11	CORD, POWER (AEP)	
14	A-4660-384-A	ARM ASSY, TONE		△42	1-696-382-11	CORD, POWER (US, Canadian)	
15	4-944-756-01	STYLUS (ND-155G)		△42	1-696-848-11	CORD, POWER (AUS)	
16	4-950-442-01	SPRING-ELEVATION		43	1-639-237-11	PHONE BOARD	
17	4-950-444-01	WASHER-C/S		44	1-639-239-11	POWER BOARD (E)	
18	4-956-873-01	BUTTON-SPEED		44	1-639-236-11	POWER BOARD (EXCEPT E)	
19	4-956-872-01	BUTTON-REJECT		△46	1-693-159-11	ADAPTER, AC (E)	
20	4-950-448-01	LINK-REJECT		48	4-956-874-01	BUTTON POWER	
21	A-4660-361-A	PANEL (G) ASSY, FRONT		49	4-953-059-01	E RING	
22	4-953-060-01	LEVER, SWITCH		M1	A-4660-141-A	MOTOR ASSY	
23	4-950-470-01	CUSHION-MOTOR		SW1	1-572-746-11	SWITCH, LEAF	
24	4-950-433-01	PLATTER		SW2	1-572-744-11	SWITCH, PUSH (2 KEY) (SPEED)	
25	4-950-435-01	SPACER		△SW3	1-572-744-11	SWITCH, PUSH (POWER)	
26	4-950-436-01	BUSHING-TONE ARM		△SW4	1-572-745-11	VOLTAGE SELECTOR (E)	
27	4-950-437-01	ARM-ELEVATION		△T1	1-450-508-11	TRANSFORMER, POWER	

ELECTRICAL PARTS LIST [PS-LX52]

NOTE:

The components identified by mark Δ or dotted line with mark Δ are critical for safety. Replace only with part number specified.

Les composants identifiés par une marque Δ sont critiques pour la sécurité. Ne les remplacer que par une pièce portant le numéro spécifié.

When indicating parts by reference number, please include the board name.

- Due to standardization, replacements in the parts list may be different from the parts specified in the diagrams or the components used on the set.
- -XX, -X mean standardized parts, so they may have some difference from the original one.
- Items marked "*" are not stocked since they are seldom required for routine service. Some delay should be anticipated when ordering these items.
- CAPACITORS
MF : μ F, PF : μ μ F
- PX, Saudi Arabia, Singapore and Malaysia models are identical to E model.
- Italian, EE, and CIS models are identical to AEP model.
- AUS: Australian model
- EE: East European model

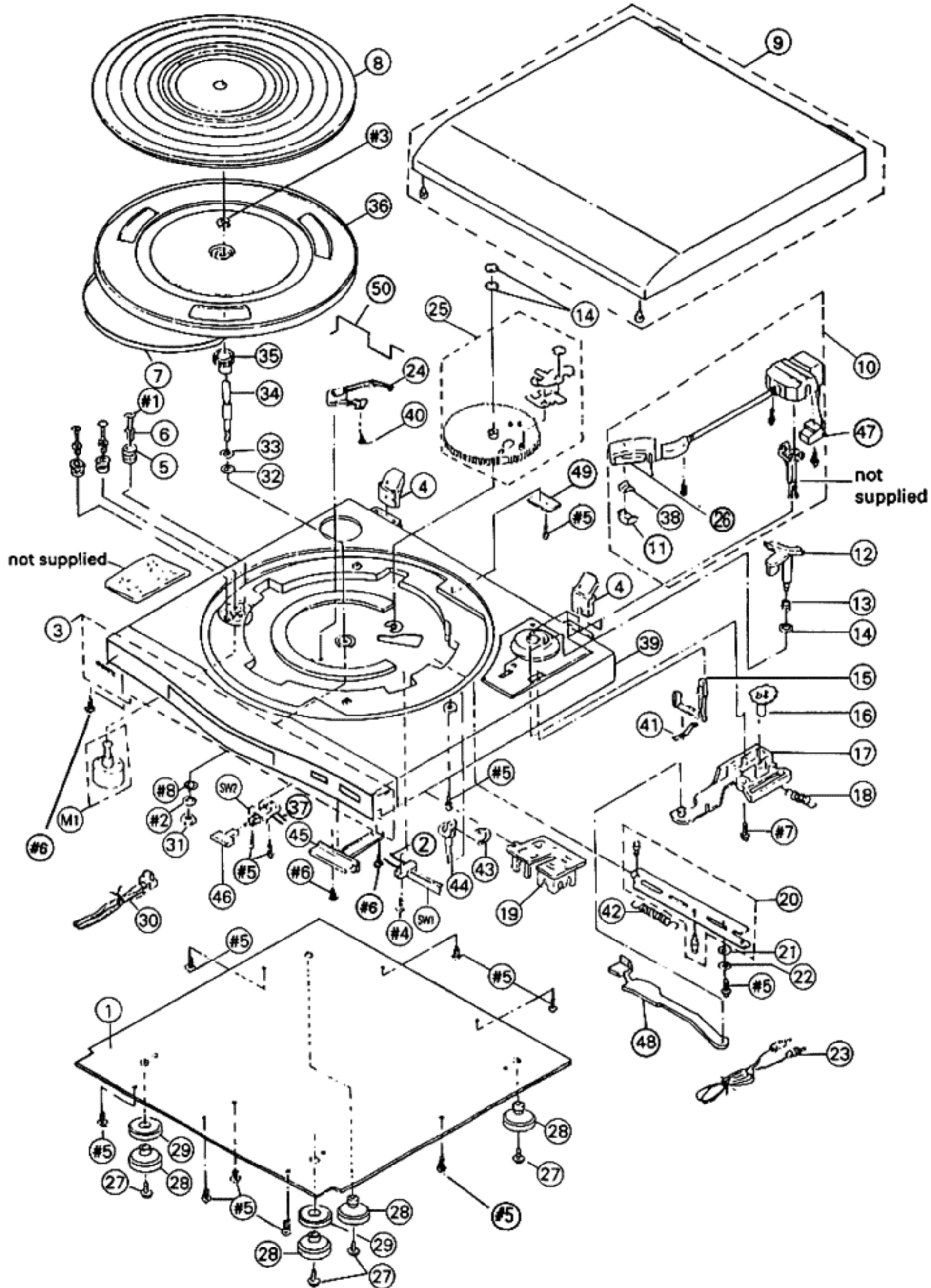
Ref. No.	Part No.	Description	Remarks	Ref. No.	Part No.	Description	Remarks
	1-639-239-11	POWER BOARD (E)		△SW4	1-572-745-11	VOLTAGE SELECTOR (E)	
	1-639-236-11	POWER BOARD (EXCEPT E)		△T1	1-450-508-11	TRANSFORMER, POWER	
	*****			*****			
	< CAPACITOR >			ACCESSORIES & PACKING MATERIALS			
	*****			*****			
C1	1-124-360-00	ELECT	1000 μ F 20% 16V	*	4-947-532-01	SNOW BOX (L)	
	< DIODE >			*	4-947-533-01	SNOW BOX (R)	
D1-4	8-719-200-02	DIODE	10E-2	*	4-956-071-01	INDIVIDUAL CARTON	
*****					3-756-211-11	MANUAL, INSTRUCTION (English, French, Spanish, Portuguese) (AEP, Canadian)	
MISCELLANEOUS					3-756-211-21	MANUAL, INSTRUCTION (English) (US)	
*****					3-756-211-41	MANUAL, INSTRUCTION (German, Dutch, Swedish, Italian) (AEP)	
41	1-590-871-11	CORD, CONNECTION (3 CORE)			3-756-211-51	MANUAL, INSTRUCTION (English, French, Spanish, Chinese) (E, AUS)	
△42	1-590-836-11	CORD, POWER (E)			3-756-211-61	MANUAL, INSTRUCTION (English, German, Polish, Russian) (EE, CIS)	
△42	1-551-294-11	CORD, POWER (AEP)		*****			
△42	1-696-382-11	CORD, POWER (US, Canadian)		HARDWARE LIST			
△42	1-696-848-11	CORD, POWER (AUS)		#1	7-685-246-19	SCREW +KTP 3X8 TYPE2 NON-SLIT	
43	1-639-237-11	PHONE BOARD		#2	7-685-903-21	SCREW +PTPWH 3X8 TYPE2	
△46	1-693-159-11	ADAPTER, AC (E)		#3	7-685-546-19	SCREW	
SW1	1-572-746-11	SWITCH, LEAF		#4	7-685-104-11	SCREW +P 2X6 TYPE2 NON-SLIT	
SW2	1-572-744-11	SWITCH, PUSH (2 KEY) (SPEED)					
△SW3	1-572-744-11	SWITCH, PUSH (POWER)					

EXPLODED VIEW [PS-LX52P]

NOTE:

- XX, -X mean standardized parts, so they may have some differences from the original one.
- The construction parts of an assembled part are indicated with a collation number in the remark column.
- Items marked "*" are not stocked since they are seldom required for routine service. Some delay should be anticipated when ordering these items.
- The mechanical parts with no reference number in the exploded views are not supplied.
- Screw(# mark) list is given in the last of this parts list.

The components identified by mark Δ or dotted line with mark Δ are critical for safety.
Replace only with part number specified.



Ref. No.	Part No.	Description	Remarks	Ref. No.	Part No.	Description	Remarks
1	4-950-488-01	BOTTOM BOARD		6	4-947-504-01	COLLAR	
2	1-696-144-11	WIRE (45) RED		7	4-947-503-01	BELT	
3	A-4660-303-A	PANEL (G) ASSY, FRONT		8	A-4674-087-A	TURN TABLE MAT ASSY	
4	4-947-476-01	HINGE		9	A-4604-946-A	DUST COVER ASSY	
5	4-947-505-01	CUSHION, MOTOR					

Ref. No.	Part No.	Description	Remarks	Ref. No.	Part No.	Description	Remarks
10	A-4604-940-A	ARM ASSY, TONE		30	1-557-109-21	DC CORD	
11	4-948-095-01	COVER CARTRIDGE		31	4-947-510-01	NUT	
12	4-947-466-01	TONE ARM ELEVATOR		32	3-451-162-00	WASHER (56)	
13	4-947-467-01	SPRING (6)		33	3-701-445-21	WASHER	
14	4-947-514-01	4MM CS RING		34	4-947-498-01	STELL BALL	
15	4-947-468-01	LEVER, CUEING		35	4-947-497-01	GEAR	
16	4-947-470-01	ADJUST CAM		36	4-947-494-01	TURNTABLE PLATTER	
* 17	4-947-471-01	LINK, RETURN		37	1-696-143-11	WIRE (30) (WHT)	
18	4-947-472-01	SPRING (9-1)		38	4-951-290-01	STYLUS (CN234)	
19	4-956-998-01	BUTTON BASE		39	4-947-475-01	MAIN CABINET (G)	
20	A-4660-302-A	LEVER RETURN ASSY		40	4-947-496-01	SPRING (34)	
21	3-659-350-00	WASHER		* 41	4-947-477-01	CUEING (BASE)	
22	4-890-173-00	WASHER		42	4-947-485-01	SPRING (22)	
23	1-555-116-11	PHONO CORD		43	4-947-490-01	ARM CLIP	
24	4-947-495-01	WIPER REJECT		44	4-947-491-01	ARM REST	
25	A-4604-916-A	GEAR ASSY, SPUR		45	4-956-997-01	KNOB REJECT	
26	1-251-028-11	CARTRIDGE (MAIN)		46	4-956-996-01	KNOB SPEED	
27	4-950-497-01	FOOT SEAT		47	4-947-464-01	COUNTER WEIGHT	
28	4-950-490-01	PLASTIC STAND		* 48	4-947-487-01	RETURN LINK	
29	4-950-489-01	FOOT RING		49	1-644-410-11	P. C BOARD	
				50	4-948-101-01	SPRING (38)	

ELECTRICAL PARTS LIST [PS-LX52P]

NOTE:

The components identified by mark Δ or dotted line with mark Δ are critical for safety.
Replace only with part number specified.

When indicating parts by reference number, please include the board name.

- XX, -X mean standardized parts, so they may have some difference from the original one.
- Items marked "*" are not stocked since they are seldom required for routine service. Some delay should be anticipated when ordering these items.

- Due to standardization, replacements in the parts list may be different from the parts specified in the diagrams or the components used on the set.

Ref. No.	Part No.	Description	Remarks	Ref. No.	Part No.	Description	Remarks
23	1-555-116-11	PHONO CORD		HARDWARE LIST			
30	1-557-109-21	DC CORD		#1	7-621-773-87	SCREW +B 2.6X10	
* 49	1-644-410-11	P. C BOARD		#2	7-623-210-22	SW4, TYPE 2	
M1	A-4604-945-A	MOTOR ASSY		#3	7-624-110-04	STOP RING 6.0, TYPE-E	
SW1	1-570-666-11	SWITCH (MOTOR)		#4	7-685-105-19	SCREW +P 2X8 TYPE 2 NON-SLIT	
SW2	1-571-089-11	PUSH SWITCH (SPEED)		#5	7-685-647-79	SCREW +BVTP 3X10 TYPE 2 IT-3	
*****				#6	7-685-646-79	SCREW +BVTP 3X8 TYPE 2 IT-3	
ACCESSORIES & PACKING MATERIALS				#7	7-685-645-79	SCREW +BVTP 3X6 TYPE 2 IT-3	
*****				#8	7-688-005-01	W5, SMALL	
* 4-947-532-01		SNOW BOX (L)					
* 4-947-533-01		SNOW BOX (R)					
* 4-957-002-01		CARTON					
