

# PS-LX56/LX56P

## SERVICE MANUAL

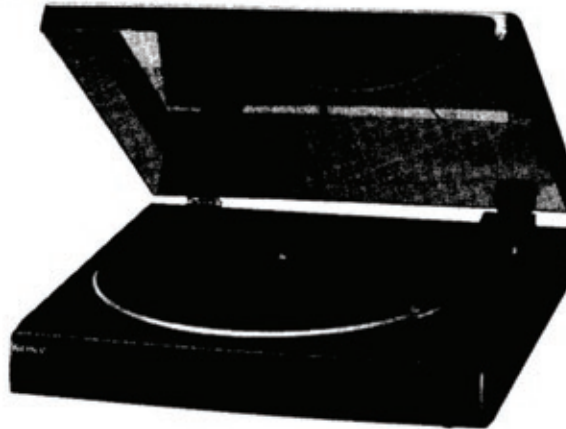


PHOTO : PS-LX56

PS-LX56/LX56P are the turntable section in LBT-A190/A195/A290/A290K/A295/A390/A390K/A395/A490/A490K/A495/D150/D250/D550/G1000/G2000.

*US Model*  
*Canadian Model*  
*PX Model*  
*Tourist Model*  
PS-LX56  
*AEP Model*  
*E Model*  
*Australian Model*  
PS-LX56/LX56P  
*UK Model*  
PS-LX56P

### SPECIFICATIONS

<b>Turntable</b>	<b>(PS-LX56)</b>	<b>Turntable</b>	<b>(PS-LX56P)</b>
Platter	30cm (12 in.)	Platter	30 cm
Motor	DC servo motor	Tone arm type	Dynamically balanced
Drive system	Belt drive	Cartridge type	Moving magnet type
Speed	33 1/3 rpm/45 rpm switchable	Stylus	Sony CN-234 (0.6 mil diamond)
Wow and flutter	0.2% (WRMS)	Mass	Approx. 2.3 kg (5 lb 1 oz)
Signal-to-noise ratio	60 dB (DIN-B)	Dimensions	Approx. 355 x 95 x 345 mm (14 x 3 7/8 x 13 3/8 inches) (w/h/d, including projections)
Automatic system	Return, reject		
<b>Tonearm</b>			
Type	Dynamically balanced		
Pivot-to-stylus length	203 mm (8 in.)		
Overall arm length	235 mm (9 1/4 in.)		
<b>Cartridge</b>			
Type	Moving magnet type		
Frequency response	20 Hz-20kHz		
Stylus	CN-234		
<b>General</b>			
Dimensions	355 x 94 x 345 mm(w/h/d) (14 x 3 7/8 x 13 3/8 inches)		
Weight	Approx. 2.5 kg (5 lb 8 oz)		
Power requirement	US and Canadian model : 120V AC, 60Hz European model : 220-230V AC, 50/60Hz Australian model : 240V AC, 50Hz Model for other countries : 110-120V/220-240V adjustable with the voltage selector AC, 50/60Hz		
Power consumption	2 W		
Accessory supplied	45-rpm adaptor (1)		
Optional accessories	Replacement stylus CN-234 Stat spray XP-C10 Cleaner XP-C1, XP-C2		

Design and specifications subject to change without notice.

#### Note

This appliance conforms with EEC Directive 87/308/EEC regarding interference suppression.

9-959-216-12  
2001G0200-1

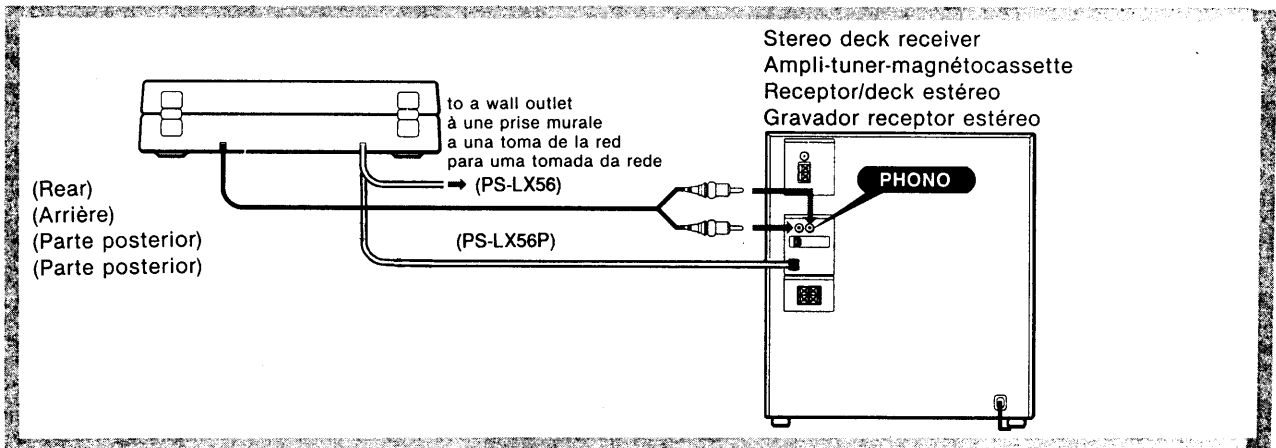
Sony Corporation  
Home Audio Company

STEREO TURNTABLE SYSTEM  
**SONY**®

# Connections

## Note

Connect the red plug to the right-channel jack (R), and the white plug to the left-channel jack (L).



## Notes on installation

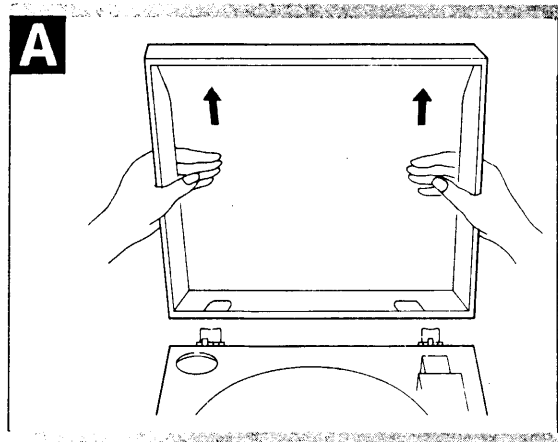
- Place the turntable on a level surface.
- Avoid placing the unit near electrical appliances (such as a television, hair dryer, or fluorescent lamp) which may cause hum or noise.
- Place the turntable where it will not be subject to any vibration, such as from speakers, slamming of doors, etc.
- Keep the unit away from direct sunlight, extremes of temperature, and excessive dust and moisture.

## Nota

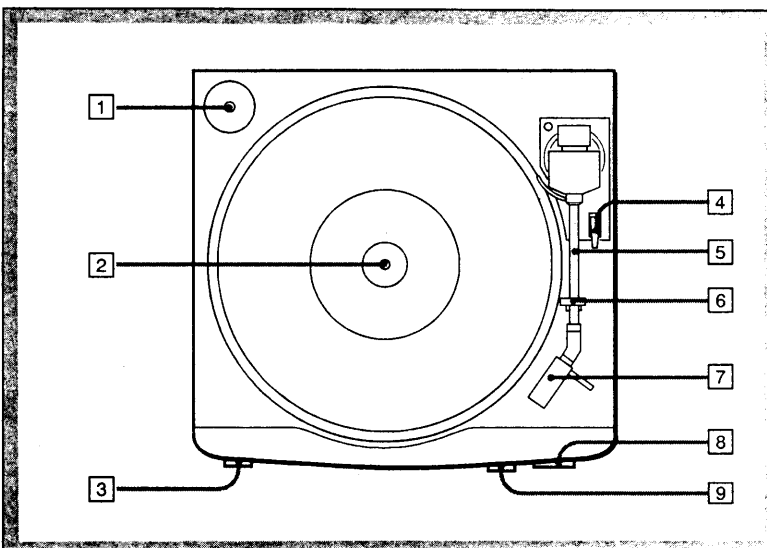
Conecte la clavija roja a la toma del canal derecho (R), y la blanca a la del canal izquierdo (L).

## To remove the dust cover **A**

Open the cover fully and pull it up.

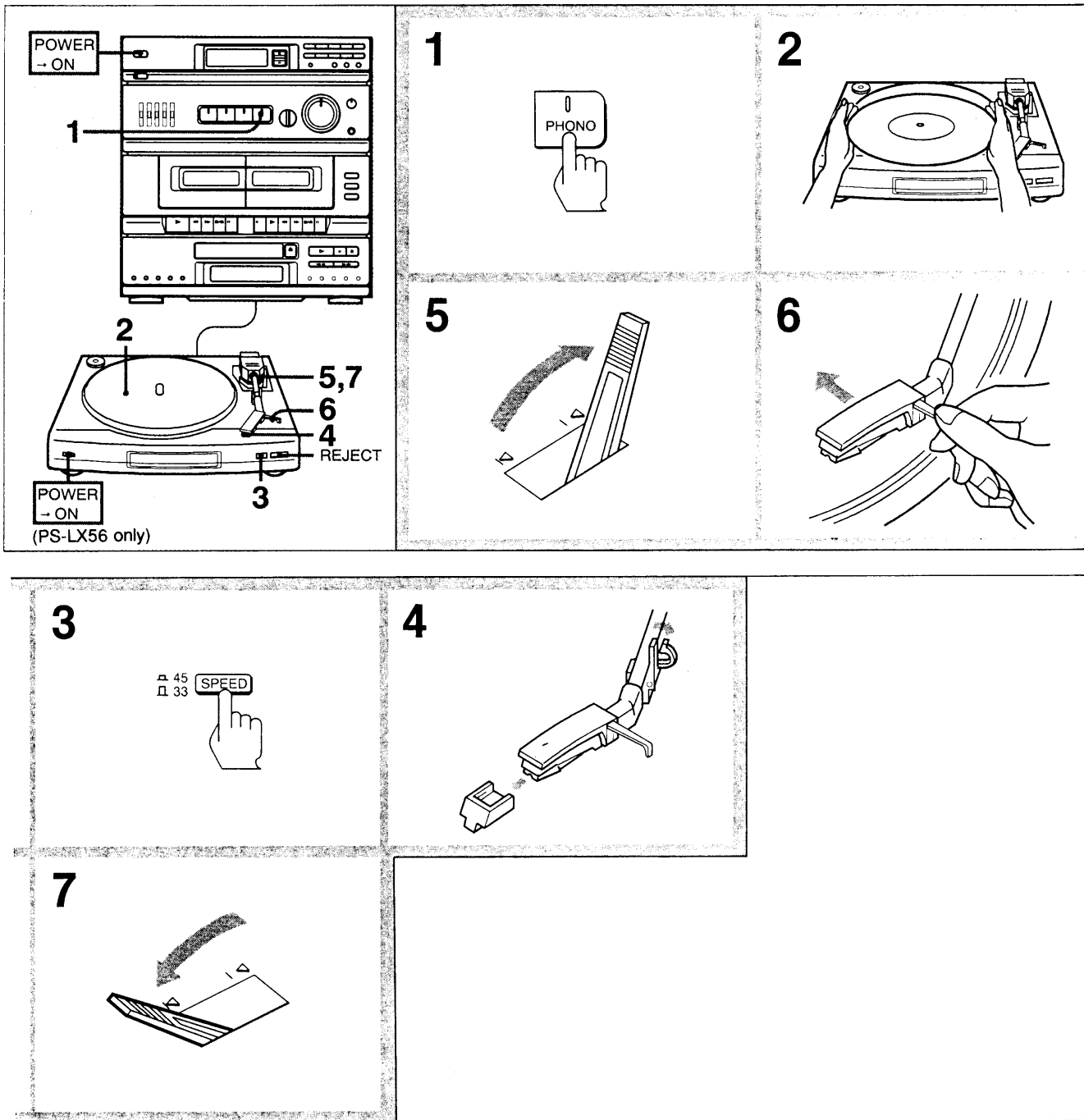


## Location of Controls



- 1 45-rpm adaptor
- 2 Centre spindle
- 3 POWER switch (PS-LX56)
- 4 Cueing lever
- 5 Tonearm
- 6 Armrest
- 7 Cartridge
- 8 REJECT button
- 9 Speed selector

Playing Records



When the record is played to the end, the tonearm returns to the armrest and the turntable stops.

To stop during play, press REJECT.

To play a different part of the record

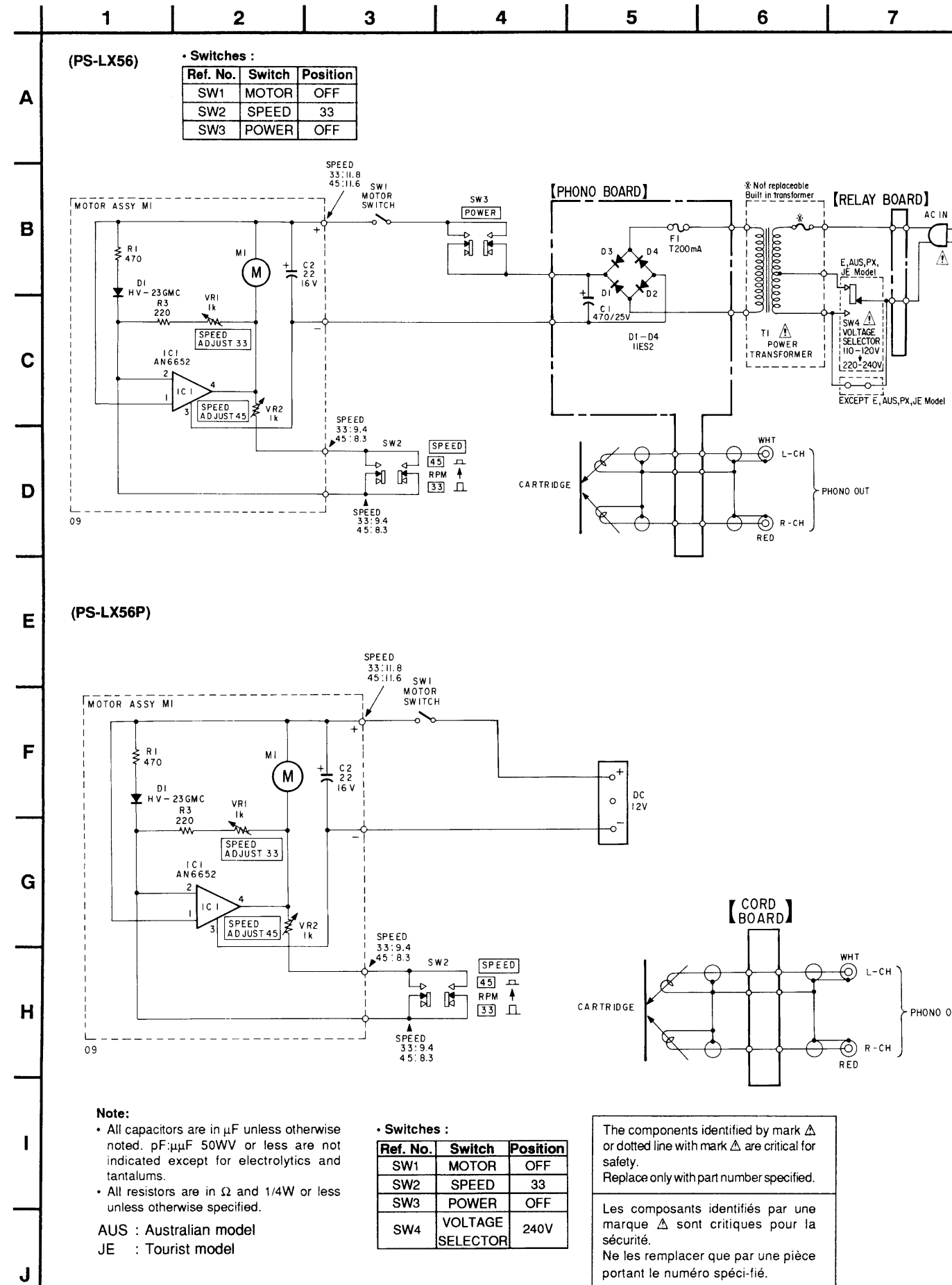
Lift the tonearm by setting the cueing level to  $\nabla$ , move the tonearm by hand to the desired point, then set the cueing lever to  $\nabla$ .

To play a 17-cm record  
Use the supplied adaptor

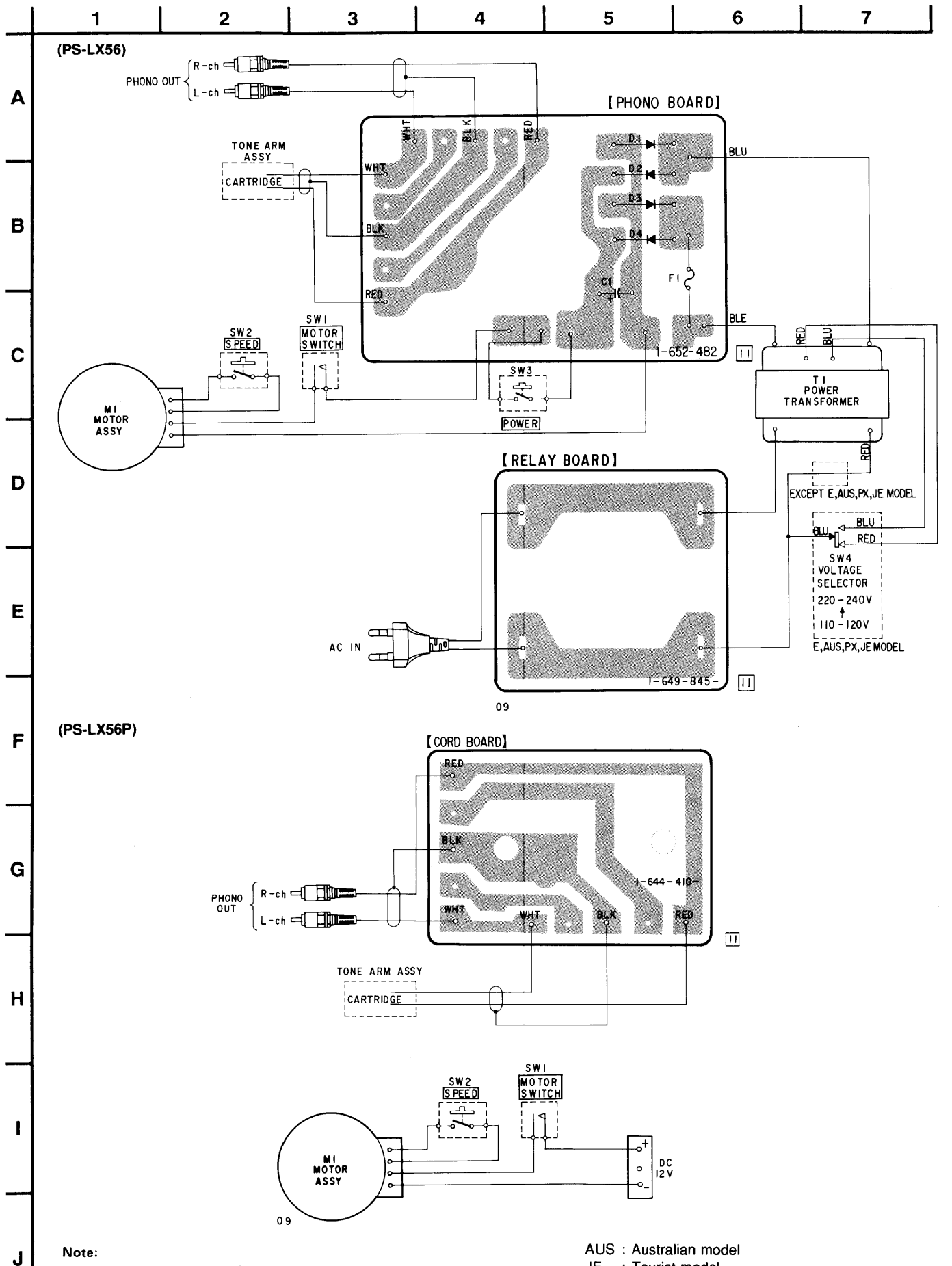
If the tonearm moves outward when you move it close to the centre  
Do not resist this movement, as it may damage the automatic return mechanism.

If the tonearm does not return to its armrest  
Press REJECT.

SCHEMATIC DIAGRAMS



WIRING DIAGRAMS





**CORD PHONO RELAY**

**EXPLODED VIEW**

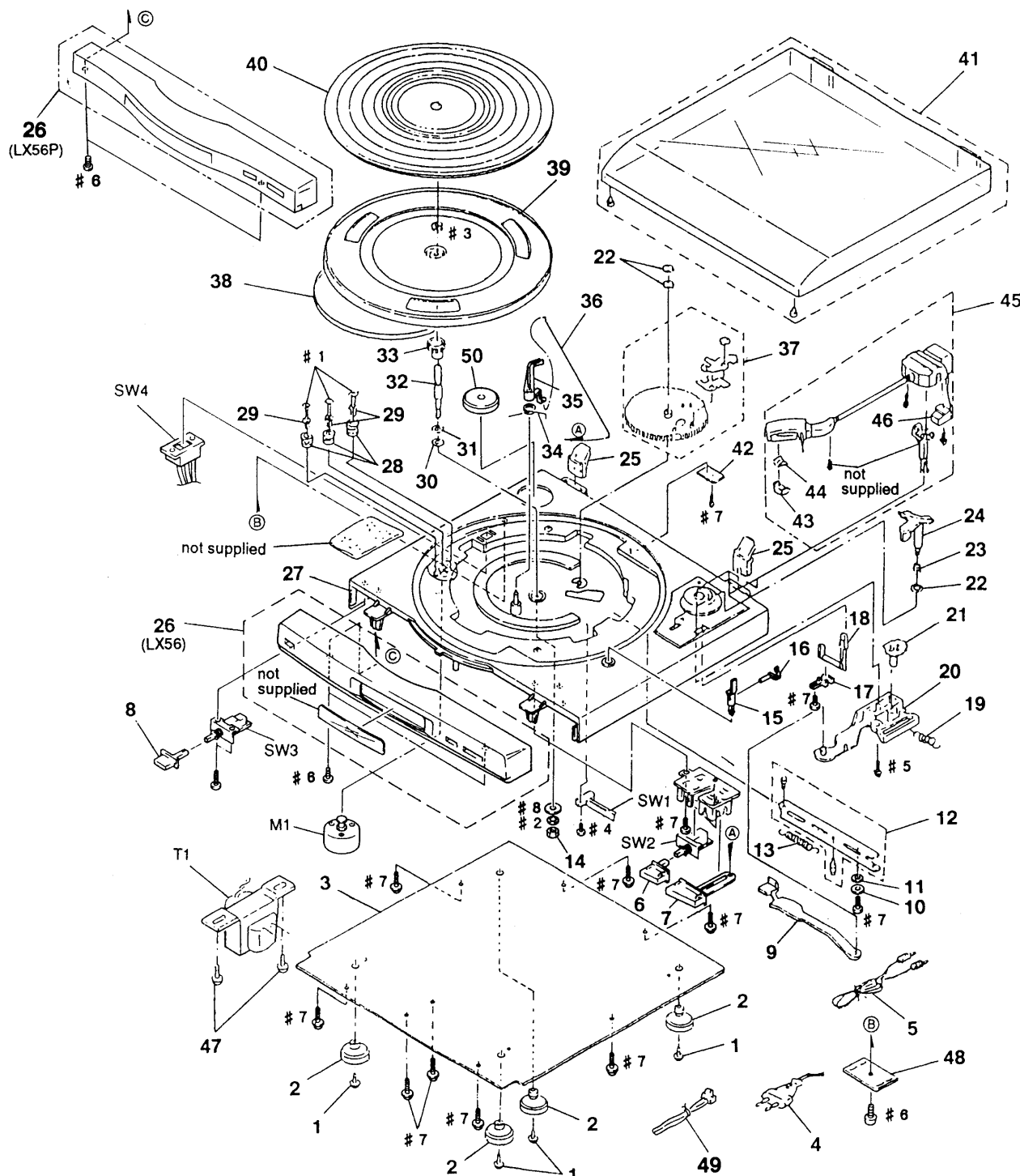
**NOTE:**

- XX, -X mean standardized parts, so they may have some difference from the original one.
- Items marked "\*" are not stocked since they are seldom required for routine service. Some delay should be anticipated when ordering these items.
- The mechanical parts with no reference number in the exploded views are not supplied.

- AUS : Australian model
- CND : Canadian model
- EE : East European model
- IT : Italian model
- MX : Mexican model
- EA : Saudi Arabia model
- SP : Singapore model
- MY : Malaysia model
- JE : Tourist

The components identified by mark  $\Delta$  or dotted line with mark  $\Delta$  are critical for safety. Replace only with part number specified.

Les composants identifiés par une marque  $\Delta$  sont critiques pour la sécurité. Ne les remplacer que par une pièce portant le numéro spécifié.



Ref. No.	Part No.	Description	Remark	Ref. No.	Part No.	Description	Remark
1	4-950-497-01	FOOT SEAT		39	4-947-494-01	TURNTABLE PLATTER	
2	4-950-490-01	PLASTIC STAND		40	4-947-539-01	RUBBER MAT	
* 3	4-961-804-01	BUTTON BOARD		41	A-4604-946-A	DUST COVER ASSY	
$\Delta$ 4	1-575-651-61	CORD, AC (LX56: AEP, EA, EE, IT, MX, MY, CIS, SP)		* 42	1-652-482-11	PHONO BOARD (LX56)	
$\Delta$ 4	1-575-975-11	CORD, AC (LX56: CND, US)		* 42	1-644-410-11	CORD BOARD (LX56P)	
$\Delta$ 4	1-590-074-11	CORD, AC (LX56: E)		43	4-948-095-01	COVER, CARTRIDGE	
$\Delta$ 4	1-690-608-11	CORD, AC (LX56: AUS)		44	4-951-290-01	STYLUS (CN-234)	
$\Delta$ 4	1-696-570-21	CORD, AC (LX56: UK)		45	A-4604-940-A	ARM ASSY, TONE	
5	1-555-116-11	CORD, PHONO...(BLACK)		46	4-947-464-01	COUNTER WEIGHT	
6	4-964-177-01	KNOB SPEED...(BLACK)		47	4-952-961-01	SCREW (LX56)	
6	4-964-177-11	KNOB SPEED		* 48	1-649-845-11	RELAY BOARD (LX56)	
7	4-964-178-01	KNOB REJECT...(BLACK)		49	1-557-109-21	CORD, DC (LX56P)	
7	4-964-178-11	KNOB REJECT		50	3-701-806-00	ADAPTOR, 45	
8	4-964-184-01	KNOB POWER (LX56:BLACK)		M1	A-4604-945-A	MOTOR ASSY	
8	4-964-184-11	KNOB POWER		SW1	1-570-666-11	SWITCH (LEAF)	
9	4-947-487-01	RETURN LINK		SW2	1-571-089-11	SWITCH, PUSH (SPEED) (1 KEY)	
10	4-890-173-00	WASHER		SW3	1-692-211-11	SWITCH, PUSH (POWER) (1 KEY) (LX56)	
11	3-659-350-00	WASHER		$\Delta$ SW4	1-692-835-11	VOLTAGE SELECTOR (LX-56: AUS, E, MX, MY, SP)	
12	A-4604-947-A	RETURN ASSY, LEVER		$\Delta$ T1	1-450-987-11	TRANSFORMER, POWER (LX56: AEP, EE, IT, CIS)	
13	4-947-485-01	SPRING (22)		$\Delta$ T1	1-450-987-21	TRANSFORMER, POWER (LX56: AUS, E, PX, EA, JE, MX, SP)	
14	4-947-510-01	NUT		$\Delta$ T1	1-450-987-31	TRANSFORMER, POWER (LX56: MY)	
15	4-947-491-01	ARM REST		$\Delta$ T1	1-450-987-41	TRANSFORMER, POWER (LX56: U, CA)	
16	A-4660-499-A	ARM CLIP ASSY					
17	4-947-477-01	CUEING (BASE)					
18	4-947-468-01	LEVER, CUEING					
19	4-963-537-01	SPRING					
20	4-963-536-01	LINK RETURN					
21	4-963-535-01	ADJUST CAM					
22	4-947-514-01	4MM CS RING					
23	4-947-467-01	SPRING (6)					
24	4-947-466-01	TONE ARM ELEVATOR					
25	A-4660-498-A	HINGE ASSY					
26	A-4384-982-A	PANEL (B) ASSY, FRONT (LX56: SILVER)					
26	A-4411-941-A	PANEL (B) ASSY, FRONT (LX56: SILVER METALLIC)					
26	A-4660-577-A	FRONT PANEL (G) ASSY (LX56: GRAY) (US)					
26	A-4660-578-A	FRONT PANEL (G) ASSY (LX56: BLACK)					
26	A-4660-976-A	FRONT PANEL (G) ASSY (LX56P)					
* 27	4-950-487-01	MAIN CABINET (B)...(BLACK)					
* 27	4-950-487-11	MAIN CABINET (B) ... (LX56: SILVER, SILVER METALLIC)					
28	4-947-505-01	CUSHION MOTOR					
29	4-947-504-01	COLLAR					
30	3-451-162-00	WASHER (56)					
31	3-701-445-21	WASHER					
32	4-947-498-01	STELL BALL					
33	4-947-497-01	GEAR					
34	4-947-496-01	SPRING (34)					
35	4-947-495-01	WIPER REJECT					
36	4-948-101-01	SPRING (38)					
37	A-4604-916-A	GEAR ASSY, SPUR					
38	4-947-503-01	BELT					

**ELECTRICAL PARTS LIST**

**NOTE:**

- Due to standardization, replacements in the parts list may be different from the parts specified in the diagrams or the components used on the set.
- XX, -X mean standardized parts, so they may have some difference from the original one.
- RESISTORS  
All resistors are in ohms  
METAL: Metal-film resistor  
METAL OXIDE: Metal Oxide-film resistor  
F : nonflammable
- Items marked "\*" are not stocked since they are seldom required for routine service. Some delay should be anticipated when ordering these items.
- Hardware (# mark) list is given in the last of this parts list.

- SEMICONDUCTORS  
In each case, u:  $\mu$ , for example:  
uA...:  $\mu$ A..., uPA...:  $\mu$ PA...,  
uPB...:  $\mu$ PB..., uPC...:  $\mu$ PC...,  
uPD...:  $\mu$ PD...
- CAPACITORS  
uF :  $\mu$ F
- COILS  
uH :  $\mu$ H
- AUS : Australian model
- CND : Canadian model
- EE : East European model
- IT : Italian model
- MX : Mexican model
- EA : Saudi Arabia model
- SP : Singapore model
- MY : Malaysia model
- JE : Tourist

The components identified by mark  $\Delta$  or dotted line with mark  $\Delta$  are critical for safety. Replace only with part number specified.

Les composants identifiés par une marque  $\Delta$  sont critiques pour la sécurité. Ne les remplacer que par une pièce portant le numéro spécifié.

Ref. No.	Part No.	Description	Remark	Ref. No.	Part No.	Description	Remark
*	1-644-410-11	CORD BOARD (LX56P)				ACCESSORIES & PACKING MATERIALS	
		*****				*****	
*	1-652-482-11	PHONO BOARD (LX56)				3-758-045-11 MANUAL INSTRUCTION	
		*****				(English, French, Spanish, Portuguese) (LX56 AEP, CND)	
		< CAPACITOR >				3-758-045-21 MANUAL INSTRUCTION (English) (LX56 US, UK)	
						3-758-045-41 MANUAL INSTRUCTION	
						(German, Dutch, Swedish, Italian) (LX56 AEP, IT)	
C1	1-126-012-11	ELECT 470uF	16V			3-758-045-51 MANUAL INSTRUCTION	
						(English, French, Spanish, Chinese)	
						3-758-045-61 MANUAL INSTRUCTION	
						(English, German, Polish) (LX56 EE, CIS)	
D1	8-719-200-82	DIODE 11ES2		*	4-947-532-01	SNOW BOX (L)	
D2	8-719-200-82	DIODE 11ES2		*	4-947-533-01	SNOW BOX (R)	
D3	8-719-200-82	DIODE 11ES2			3-701-806-00	ADAPTOR, 45	
D4	8-719-200-82	DIODE 11ES2				*****	
						HARDWARE LIST	
						*****	
$\Delta$ F1	1-532-613-XX	FUSE TIME-LAG (T200mA)		#1	7-621-773-87	SCREW (64)	
				#2	7-623-210-22	WASHER (57)	
*	1-649-845-11	RELAY BOARD (LX56)		#3	7-624-110-04	GMM E RING	
		*****		#4	7-685-105-01	SCREW (59)	
				#5	7-685-645-79	SCREW (68)	
				#6	7-685-646-79	SCREW (60)	
				#7	7-685-647-79	SCREW (58)	
				#8	7-688-005-01	WASHER (69)	

MEMO

