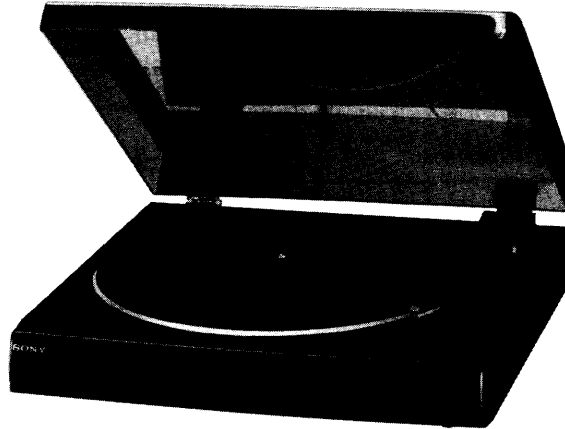


PS-LX76

SERVICE MANUAL

Ver 1.1 2001.07

*AEP Model
UK Model
E Model
Australian Model*



PS-LX76 are the turntable section in LBT-A190/A195/A290/A290K/A295/A390/A390K/A395/A490/A490K/A495/D150/D250/D550/G1000/G2000.

SPECIFICATIONS

Turntable

Platter	30cm (12 in.)
Motor	DC servo motor
Drive system	Belt drive
Speed	33 1/3 rpm/45 rpm switchable
Wow and flutter	0.2% (WRMS)
Signal-to-noise ratio	60 dB (DIN-B)
Automatic system	Return, reject

Tonearm

Type	Dynamically balanced
Pivot-to-stylus length	203 mm (8 in.)
Overall arm length	235 mm (9 1/4 in.)

Cartridge

Type	Moving magnet type
Frequency response	20 Hz-20kHz
Stylus	CN-234

General

Dimensions	355 × 94 × 345 mm(w/h/d) (14 × 3 3/4 × 13 3/8 inches)
Weight	Approx. 2.5 kg (5 lb 8 oz)
Power requirement	European model : 220-230V AC, 50/60Hz Australian model : 240V AC, 50Hz Model for other countries : 110-120V/220-240V adjustable with the voltage selector AC, 50/60Hz
Power consumption	2 W
Accessory supplied	45-rpm adaptor (1)
Optional accessories	Replacement stylus CN-234 Stat spray XP-C10 Cleaner XP-C1, XP-C2

Design and specifications subject to change without notice.

Note

This appliance conforms with EEC Directive 87/308/EEC regarding interference suppression.

9-873-242-02
2001G0200-1
© 2001.7

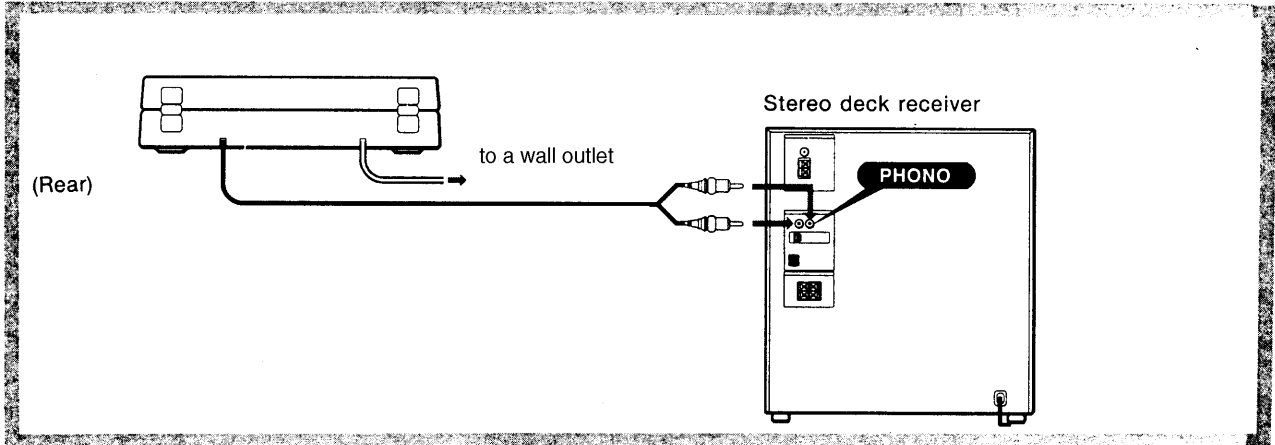
Sony Corporation
Home Audio Company
Shinagawa Tec Service Manual Production Group

STEREO TURNTABLE SYSTEM
SONY®

Connections

Note

Connect the red plug to the right-channel jack (R), and the white plug to the left-channel jack (L).

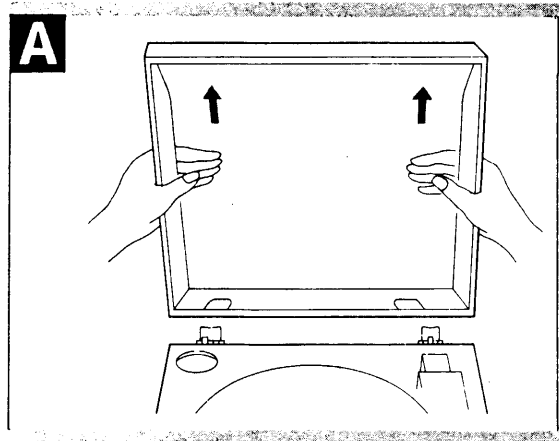


Notes on installation

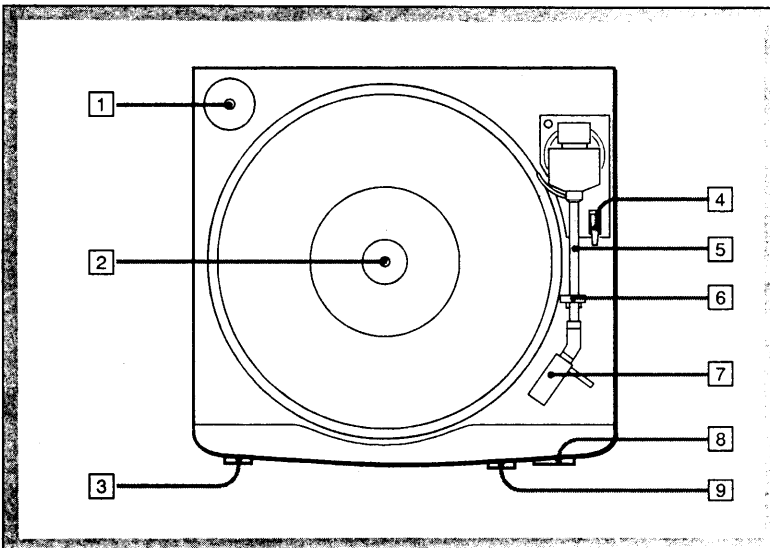
- Place the turntable on a level surface.
- Avoid placing the unit near electrical appliances (such as a television, hair dryer, or fluorescent lamp) which may cause hum or noise.
- Place the turntable where it will not be subject to any vibration, such as from speakers, slamming of doors, etc.
- Keep the unit away from direct sunlight, extremes of temperature, and excessive dust and moisture.

To remove the dust cover A

Open the cover fully and pull it up.

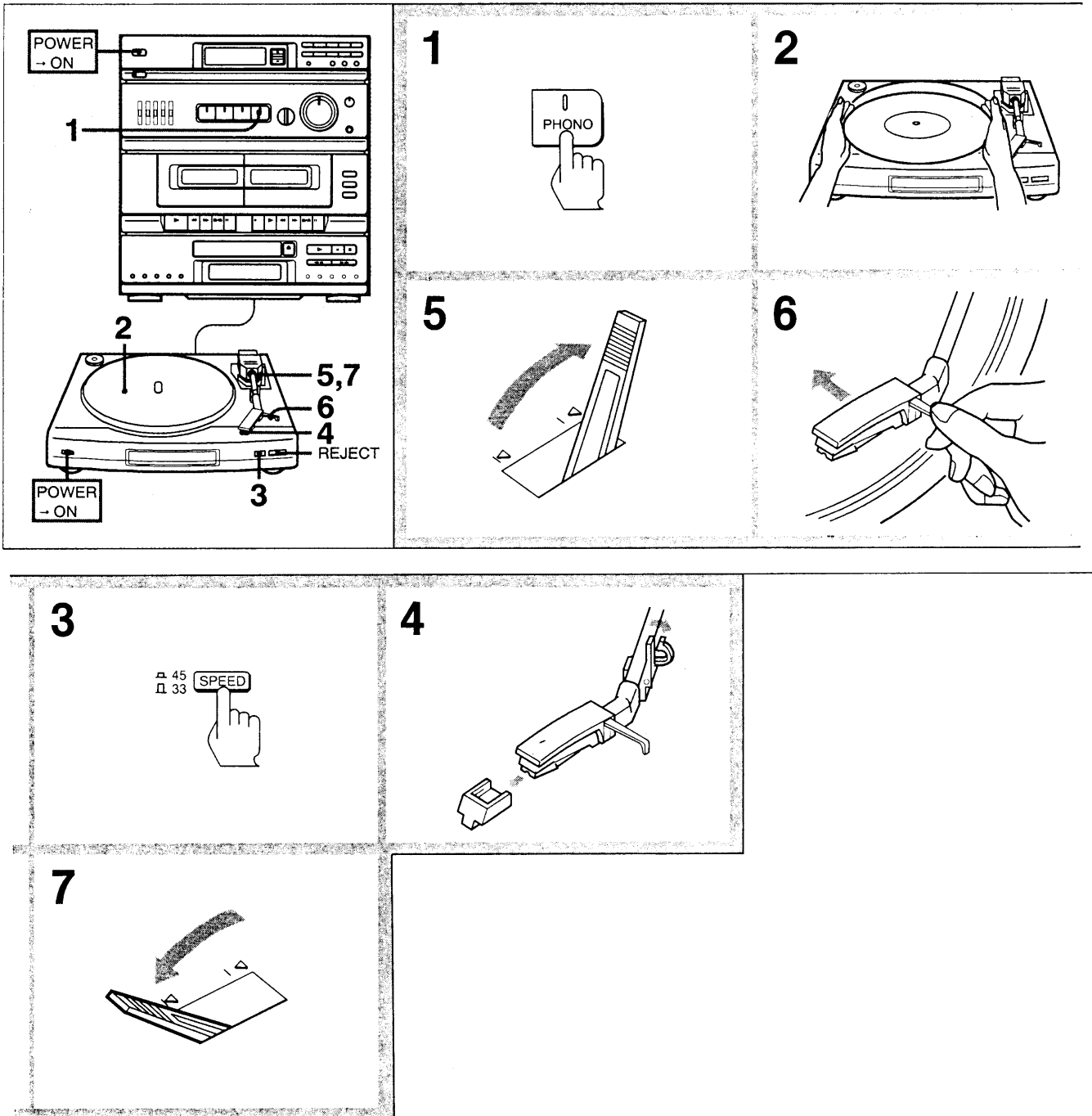


Location of Controls



- 1 45-rpm adaptor
- 2 Centre spindle
- 3 POWER switch
- 4 Cueing lever
- 5 Tonearm
- 6 Armrest
- 7 Cartridge
- 8 REJECT button
- 9 Speed selector

Playing Records



When the record is played to the end, the tonearm returns to the armrest and the turntable stops.

To stop during play, press REJECT.

To play a different part of the record

Lift the tonearm by setting the cueing level to ∇ , move the tonearm by hand to the desired point, then set the cueing lever to \blacktriangledown .

To play a 17-cm record

Use the supplied adaptor

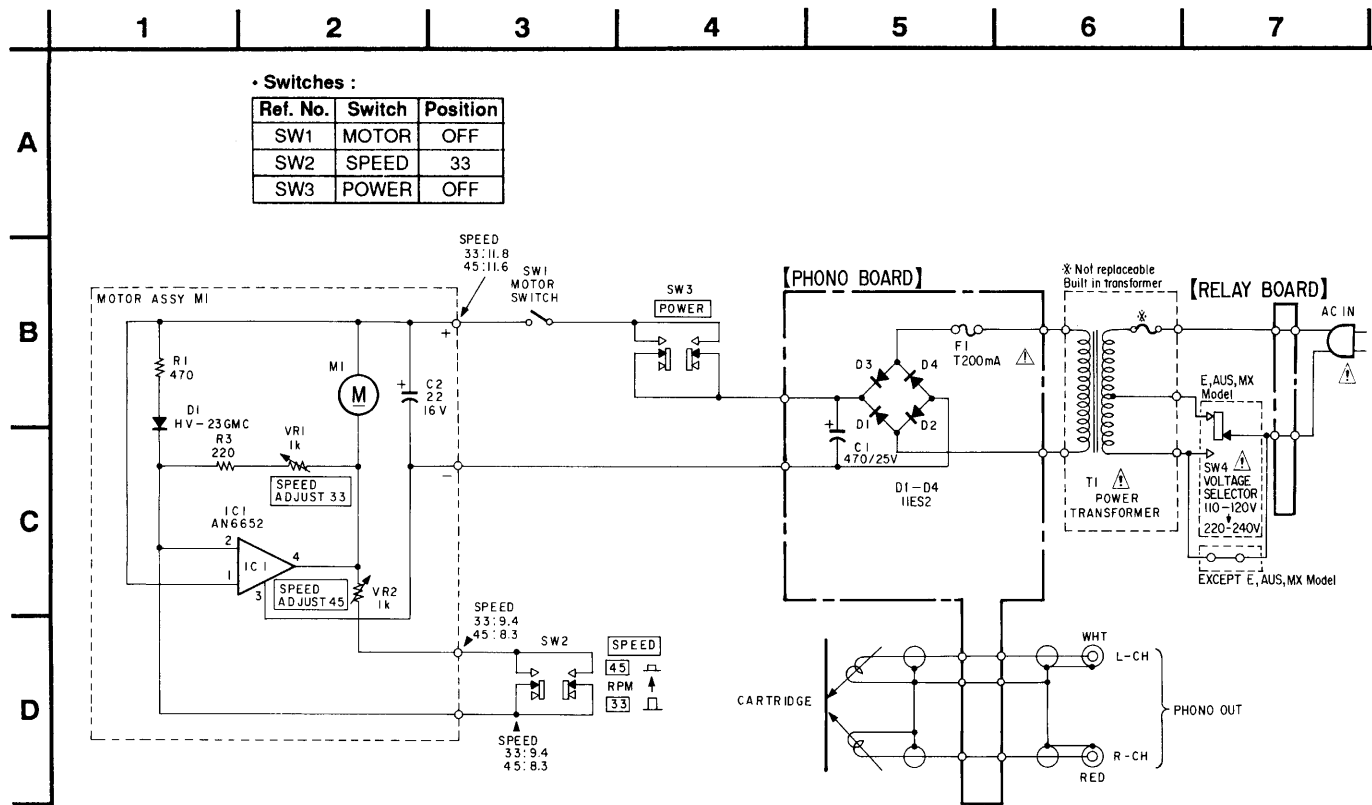
If the tonearm moves outward when you move it close to the centre

Do not resist this movement, as it may damage the automatic return mechanism.

If the tonearm does not return to its armrest

Press REJECT.

SCHEMATIC DIAGRAMS



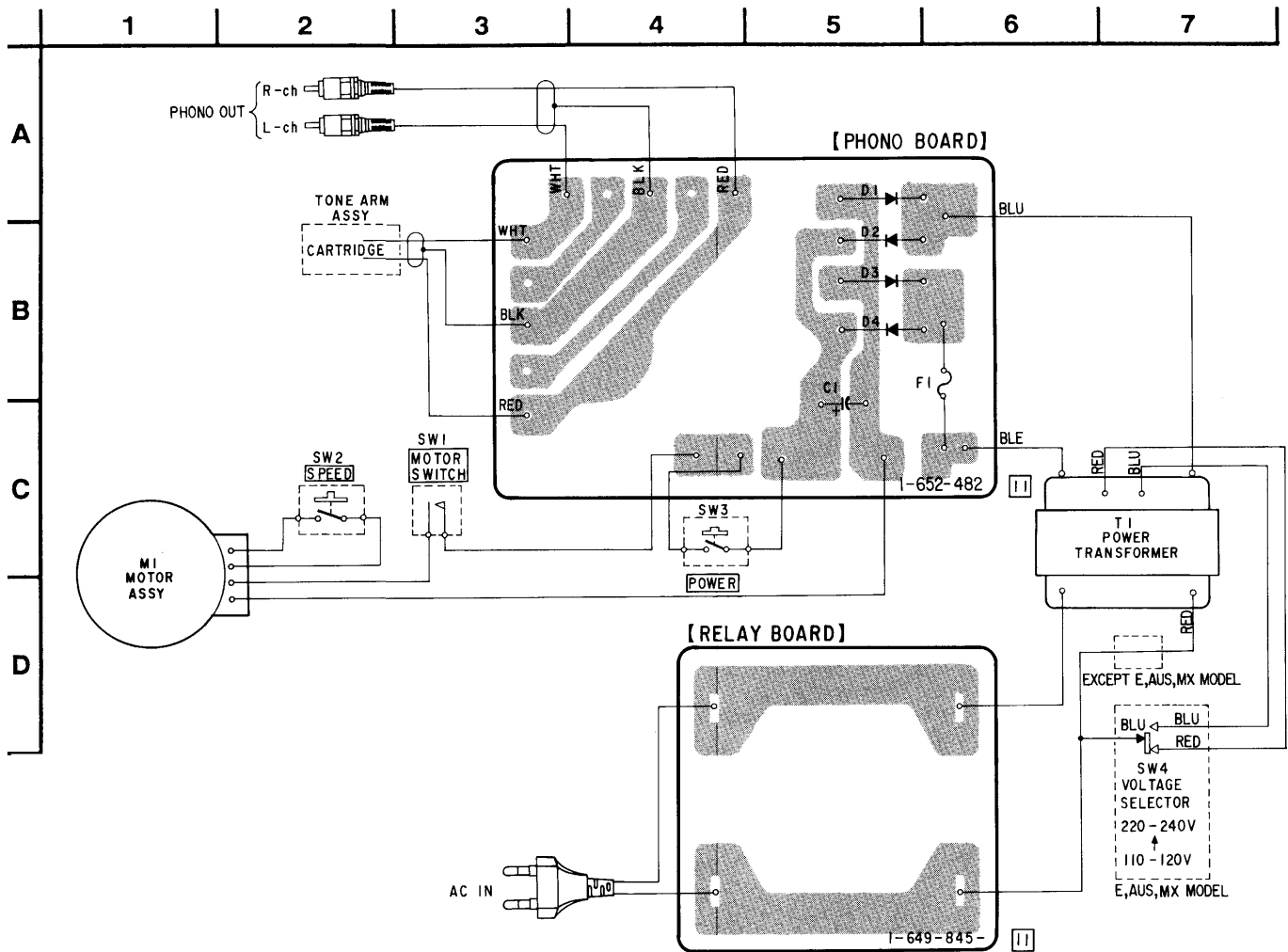
Note:

- All capacitors are in μF unless otherwise noted. $\text{pF}; \mu\text{F}$ 50WV or less are not indicated except for electrolytics and tantalums.
- All resistors are in Ω and 1/4W or less unless otherwise specified.

AUS : Australian model
 MX : Mexican model

The components identified by mark Δ or dotted line with mark Δ are critical for safety.
 Replace only with part number specified.

WIRING DIAGRAMS



Note:

● ○ — : parts extracted from the component side.


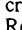
AUS : Australian model
 MX : Mexican model

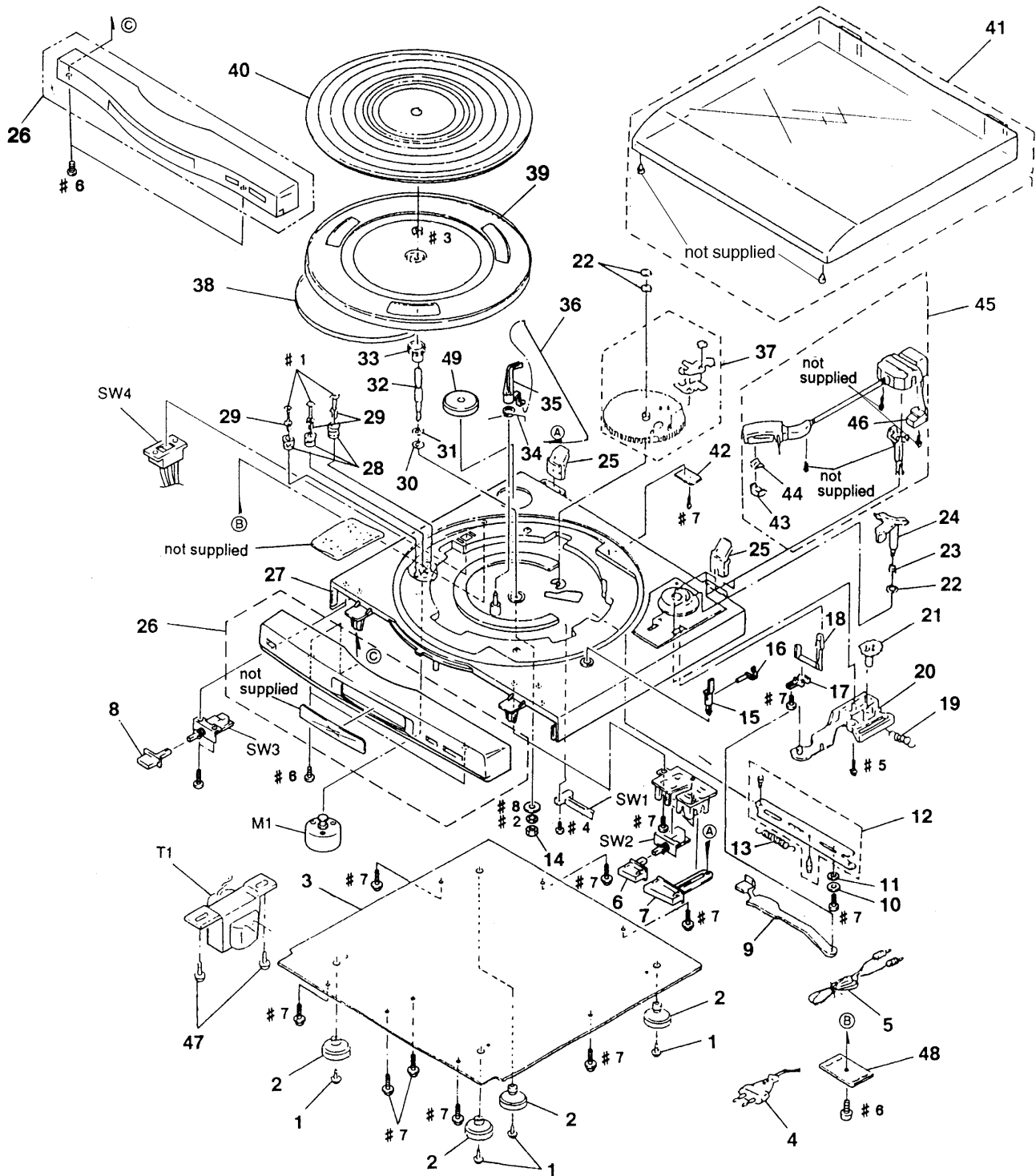
EXPLODED VIEW

NOTE:

- -XX, -X mean standardized parts, so they may have some difference from the original one.
- Items marked " * " are not stocked since they are seldom required for routine service. Some delay should be anticipated when ordering these items.
- The mechanical parts with no reference number in the exploded views are not supplied.

- AUS : Australian model
- MX : Mexican model
- EA : Saudi Arabia model

The components identified by mark  or dotted line with mark  are critical for safety. Replace only with part number specified.



Ref. No.	Part No.	Description	Remarks	Ref. No.	Part No.	Description	Remarks
1	4-950-497-01	FOOT SEAT		33	4-947-497-01	GEAR	
2	4-950-490-01	PLASTIC STAND		34	4-947-496-01	SPRING (34)	
* 3	4-961-804-01	BUTTON BOARD		35	4-947-495-01	WIPER REJECT	
△4	1-575-651-61	CORD, POWER (AEP,EA,MX)		36	4-948-101-01	SPRING (38)	
△4	1-590-074-11	CORD, POWER (E)		37	A-4604-916-A	GEAR ASSY, SPUR	
△4	1-690-608-11	CORD, POWER (AUS)		38	4-947-503-01	BELT	
△4	1-696-570-21	CORD, POWER (UK)		39	4-947-494-01	TURNTABLE PLATTER	
5	1-555-116-11	CORD, PHONE		40	4-947-539-01	RUBBER MAT	
6	4-236-539-01	BUTTON, SPEED		41	A-4604-946-A	DUST COVER ASSY	
7	4-236-538-01	BUTTON, REJECT		* 42	1-652-482-11	PHONO BOARD	
8	4-236-540-01	BUTTON, POWER		43	4-948-095-01	COVER, CARTRIDGE	
* 9	4-947-487-01	RETURN LINK		44	4-951-290-01	STYLUS (CN-234)	
10	4-890-173-00	WASHER		45	A-4604-940-A	ARM ASSY, TONE	
11	3-659-350-00	WASHER		46	4-947-464-01	COUNTER WEIGHT	
12	A-4604-947-A	RETURN ASSY, LEVER		47	4-952-961-01	SCREW	
13	4-947-485-01	SPRING (22)		* 48	1-649-845-11	RELAY BOARD	
14	4-947-510-01	NUT		49	3-701-806-00	ADAPTOR, 45	
15	4-947-491-01	ARM REST		M1	A-4604-945-A	MOTOR ASSY (INCLUDING PULLEY)	
16	A-4660-499-A	ARM CLIP ASSY		SW1	1-570-666-11	SWITCH (LEAF) (MOTOR ON/OFF)	
17	4-947-477-01	CUEING (BASE)		SW2	1-571-089-11	SWITCH, PUSH (SPEED) (1 KEY)	
18	4-947-468-01	LEVER, CUEING		SW3	1-692-211-11	SWITCH, PUSH (POWER) (1 KEY)	
19	4-963-537-01	SPRING		△SW4	1-692-835-11	VOLTAGE SELECTOR (AUS, E, MX)	
20	4-963-536-01	LINK, RETURN		△T1	1-450-987-11	TRANSFORMER, POWER (AEP, UK)	
21	4-963-535-01	CAM, ADJUST		△T1	1-450-987-21	TRANSFORMER, POWER (AUS, E, EA, MX)	
22	4-947-514-01	4MM CS RING					
23	4-947-467-01	SPRING (6)					
24	4-947-466-01	TONE ARM ELEVATOR					
25	A-4660-498-A	HINGE ASSY					
26	A-4735-409-A	FRONT PANEL ASSY					
27	4-236-537-01	CABINET, MAIN					
28	4-947-505-01	CUSHION MOTOR					
29	4-947-504-01	COLLAR					
30	3-451-162-00	WASHER (56)					
31	3-701-445-21	WASHER					
32	4-947-498-01	STELL BALL					

The components identified by mark △ or dotted line with mark △ are critical for safety. Replace only with part number specified.

PHONO

RELAY

ELECTRICAL PARTS LIST

Note:

- Due to standardization, replacements in the parts list may be different from the parts specified in the diagrams or the components used on the set.
- -XX, -X mean standardized parts, so they may have some difference from the original one.
- Items marked "*" are not stocked since they are seldom required for routine service. Some delay should be anticipated when ordering these items.
- RESISTORS
All resistors are in ohms
METAL: Metal-film resistor
METAL OXIDE: Metal Oxide-film resistor
F : nonflammable

- SEMICONDUCTORS
In each case, u: μ , for example:
uA...: μ A..., uPA...: μ PA..., uPB...: μ PB...,
uPC...: μ PC..., uPD...: μ PD...
- CAPACITORS
uF : μ F
- COILS
uH : μ H
- AUS : Australian model
- MX : Mexican model
- EA : Saudi Arabia model

The components identified by mark Δ or dotted line with mark Δ are critical for safety. Replace only with part number specified.

Ref. No.	Part No.	Description	Remarks	Ref. No.	Part No.	Description	Remarks
*	1-652-482-11	PHONO BOARD *****		SW3	1-692-211-11	SWITCH, PUSH (POWER) (1 KEY)	
				Δ SW4	1-692-835-11	VOLTAGE SELECTOR (AUS, E, MX)	
*	4-962-076-	FUSE CLAMP <CAPACITOR>		Δ T1	1-450-987-11	TRANSFORMER, POWER (AEP, UK)	
				Δ T1	1-450-987-21	TRANSFORMER, POWER (AUS, E, EA, MX)	
C1	1-126-012-11	ELECT 470uF 20% 16V <DIODE>		***** ACCESSORIES & PACKING MATERIALS *****			
D1	8-719-200-82	DIODE 11ES2		3-701-806-00	ADAPTOR, 45		
D2	8-719-200-82	DIODE 11ES2		3-758-045-11	MANUAL, INSTRUCTION (ENGLISH, SPANISH, PORTUGUESE) (AEP)		
D3	8-719-200-82	DIODE 11ES2		3-758-045-21	MANUAL, INSTRUCTION (ENGLISH) (UK)		
D4	8-719-200-82	DIODE 11ES2 <FUSE>		3-758-045-41	MANUAL, INSTRUCTION (GERMAN, DUTCH, SWEDISH, ITALIAN) (AEP)		
Δ F1	1-532-387-51	FUSE, CYLINDRICAL (TIME-LAG) (T200mA)		3-758-045-51	MANUAL, INSTRUCTION (ENGLISH, FRENCH, CHINESE) (AUS, E, MX, EA)		
*****				*	4-947-532-01	SNOW BOX (L)	
*	1-649-845-11	RELAY BOARD *****		*	4-947-533-01	SNOW BOX (R)	
					4-947-539-01	RUBBER MAT	
*****				*****			
MISCELLANEOUS *****				***** HARDWARE LIST *****			
Δ 4	1-575-651-61	CORD, POWER (AEP)		#1	7-621-773-87	SCREW (64)	
Δ 4	1-590-074-11	CORD, POWER (E)		#2	7-623-210-22	WASHER (57)	
Δ 4	1-690-608-11	CORD, POWER (AUS)		#3	7-624-110-04	6MM E RING	
Δ 4	1-696-570-21	CORD, POWER (UK)		#4	7-685-105-01	SCREW (59)	
5	1-555-116-11	CORD, PHONE		#5	7-685-645-79	SCREW (68)	
M1	A-4604-945-A	MOTOR ASSY (INCLUDING PULLEY)		#6	7-685-646-79	SCREW (60)	
SW1	1-570-666-11	SWITCH (LEAF) (MOTOR ON/OFF)		#7	7-685-647-79	SCREW (58)	
SW2	1-571-089-11	SWITCH, PUSH (SPEED) (1 KEY)		#8	7-688-005-01	WASHER (69)	

MEMO

