

PS-V901

SERVICE MANUAL

AEP Model
UK Model
E Model



SPECIFICATIONS

Turntable

Platter	30 cm (12 in.)
Motor	DC servo motor
Drive system	Belt drive
Speed	33 $\frac{1}{3}$ rpm/45 rpm switchable
Wow and flutter	0.08% (WRMS)
Signal-to-noise ratio	65 dB (DIN-B)
Automatic system	Return, reject, lead in.

Tonearm

Type	Statically
Pivot-to stylus length	200 mm (7 $\frac{7}{8}$ in.)
Overall arm length	236 mm (9 $\frac{1}{4}$ in.)



Cartridge

Type	Moving magnet type
Frequency response	20 Hz - 20kHz
Stylus	ND-155G

General

Dimensions	355 x 95 x 335 mm (w/h/d) (14 x 3 $\frac{3}{4}$ x 13 $\frac{1}{4}$ inches) Approx. 2.3 kg (5 lb 2 oz)
Weight	Approx. 2.3 kg (5 lb 2 oz)
Power requirements	AEP model: 220 V AC, 50/60 Hz UK model: 240 V AC, 50/60 Hz E model: 110-120 V, 220-240 V adjustable, 50/60 Hz
Power consumption	3 W
Accessory supplied	45-rpm adaptor (1)
Optional accessories	Replacement stylus ND-155G Stat spray XP-C10 Cleaner XP-C1, XP-C2

SAFETY-RELATED COMPONENT WARNING!!

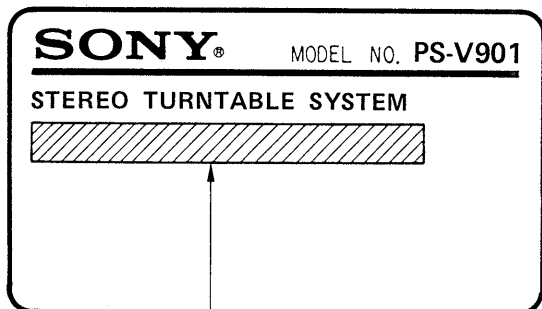
COMPONENTS IDENTIFIED BY MARK  OR DOTTED LINE WITH MARK  ON THE SCHEMATIC DIAGRAMS AND IN THE PARTS LIST ARE CRITICAL TO SAFE OPERATION. REPLACE THESE COMPONENTS WITH SONY PARTS WHOSE PART NUMBERS APPEAR AS SHOWN IN THIS MANUAL OR IN SUPPLEMENTS PUBLISHED BY SONY.

STEREO TURNTABLE SYSTEM
SONY[®]

SECTION 1 GENERAL

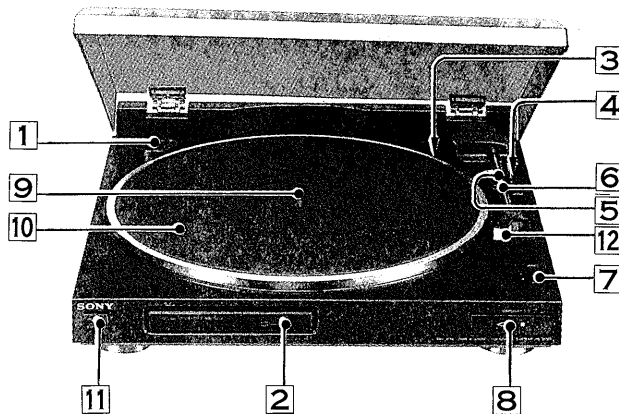
MODEL IDENTIFICATION

— Specification Label —



AEP model: AC 220 V 50/60 Hz 3 W
 UK model: AC 240 V 50/60 Hz 3 W
 E model: AC 110-120/220-240 V 50/60 Hz 3 W

LOCATION AND FUNCTION OF CONTROLS



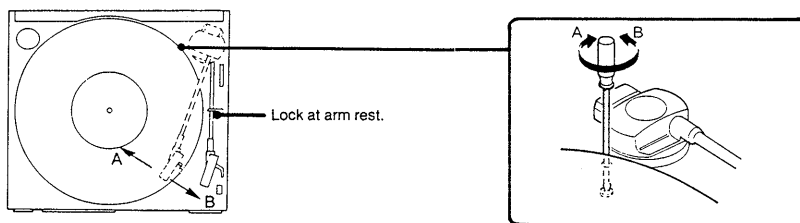
- 1 45-rpm Adaptor
- 2 SPEED selector
- 3 Drop point adjustment hole
- 4 Cueing lever (▼/▲)
- 5 Tonearm
- 6 Armrest
- 7 SIZE SELECTOR
- 8 ◀(start)/▶(stop) button
- 9 Center spindle
- 10 Rubber mat
- 11 POWER button
- 12 Cartridge

Drop-point Adjustment

The tonearm drop-point during auto play has been factory-adjusted. If necessary, readjust it as follows.

To move the drop-point toward A, turn the adjustment screw clockwise with a screwdriver.

To move the drop-point toward B, turn the adjustment screw counterclockwise with a screwdriver.



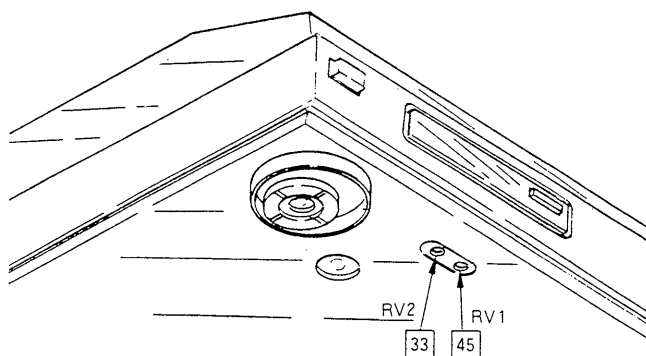
SECTION 2 ADJUSTMENT

Speed Adjustment

Note: Be sure to perform 45-rpm adjustment before 45-rpm.

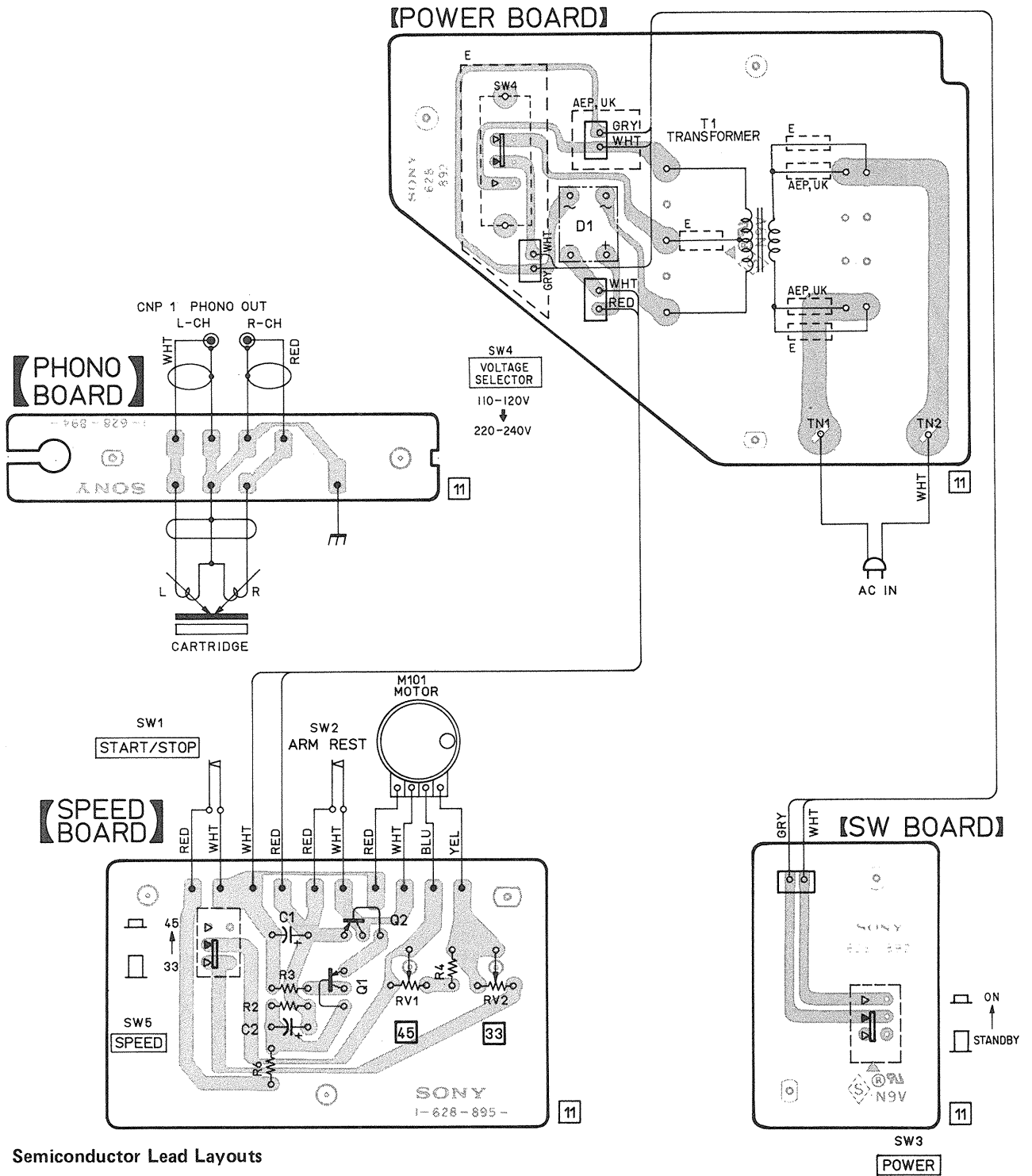
1. Put a stroboscope board on the mat.
2. Set the SPEED switch to 45.
 Depress the lifter knob to make a lift-up mode and move the arm above to the outer most groove of a record.
 Adjust RV1 so that the striped pattern of stroboscope board is stationary.
3. Set the SPEED switch to 33.
 Adjust RV2 in the same way.

Adjustment Location:

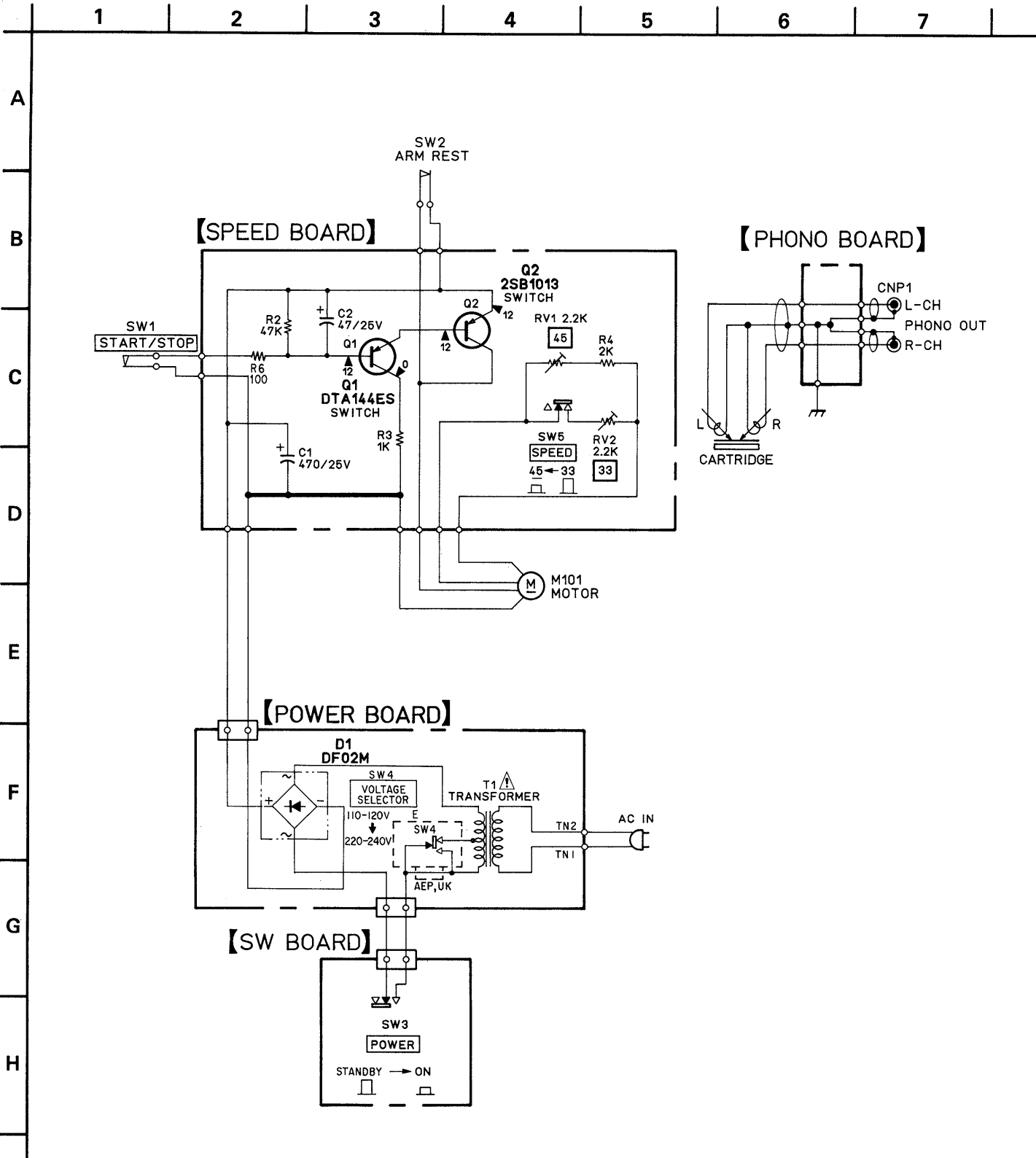


SECTION 3 DIAGRAMS

3-1. PRINTED WIRING BOARDS



3-2. SCHEMATIC DIAGRAMS



Note:

- All capacitors are in μF unless otherwise noted. pF : $\mu\mu\text{F}$
50WV or less are not indicated except for electrolytics and tantalums.
- All resistors are in Ω and $\frac{1}{4}\text{W}$ or less unless otherwise specified.

Note: The components identified by mark \triangle or dotted line with mark \triangle are critical for safety. Replace only with part number specified.

• : adjustment for repair.

SECTION 4 EXPLODED VIEWS

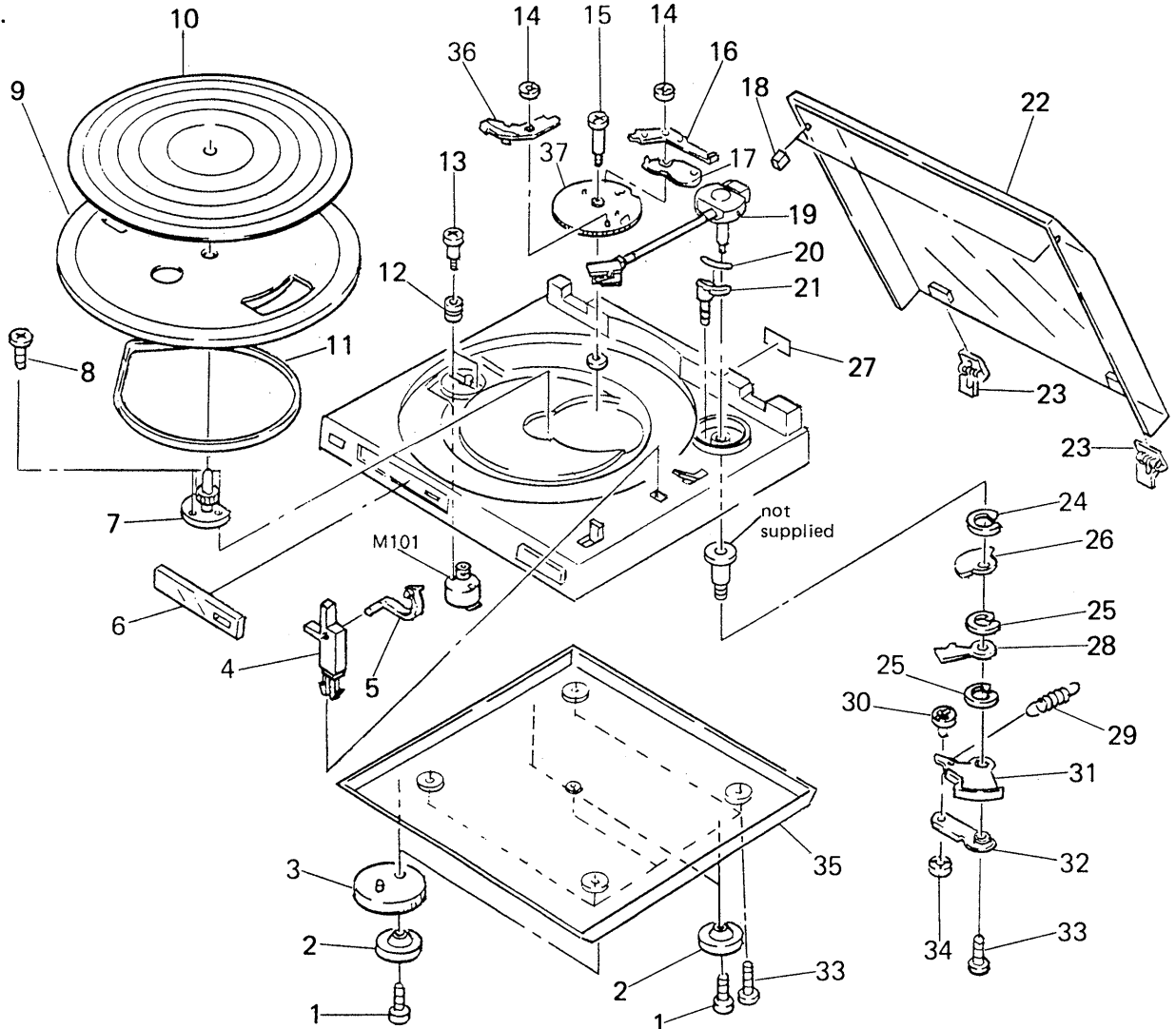
NOTE:

- The mechanical parts with no reference number in the exploded views are not supplied.
- The construction parts of an assembled part are indicated with a collation number in the remark column.
- Items marked "★" are not stocked since they are seldom required for routine service. Some delay should be anticipated when ordering these items.

- Due to standardization, parts with part number suffix -XX and -X may be different from the parts specified in the components used on the set.
- Color Indication of Appearance Parts
Example:
(RED) ... KNOB, BALANCE (WHITE)
↑ Cabinet's Color ↑ Parts Color

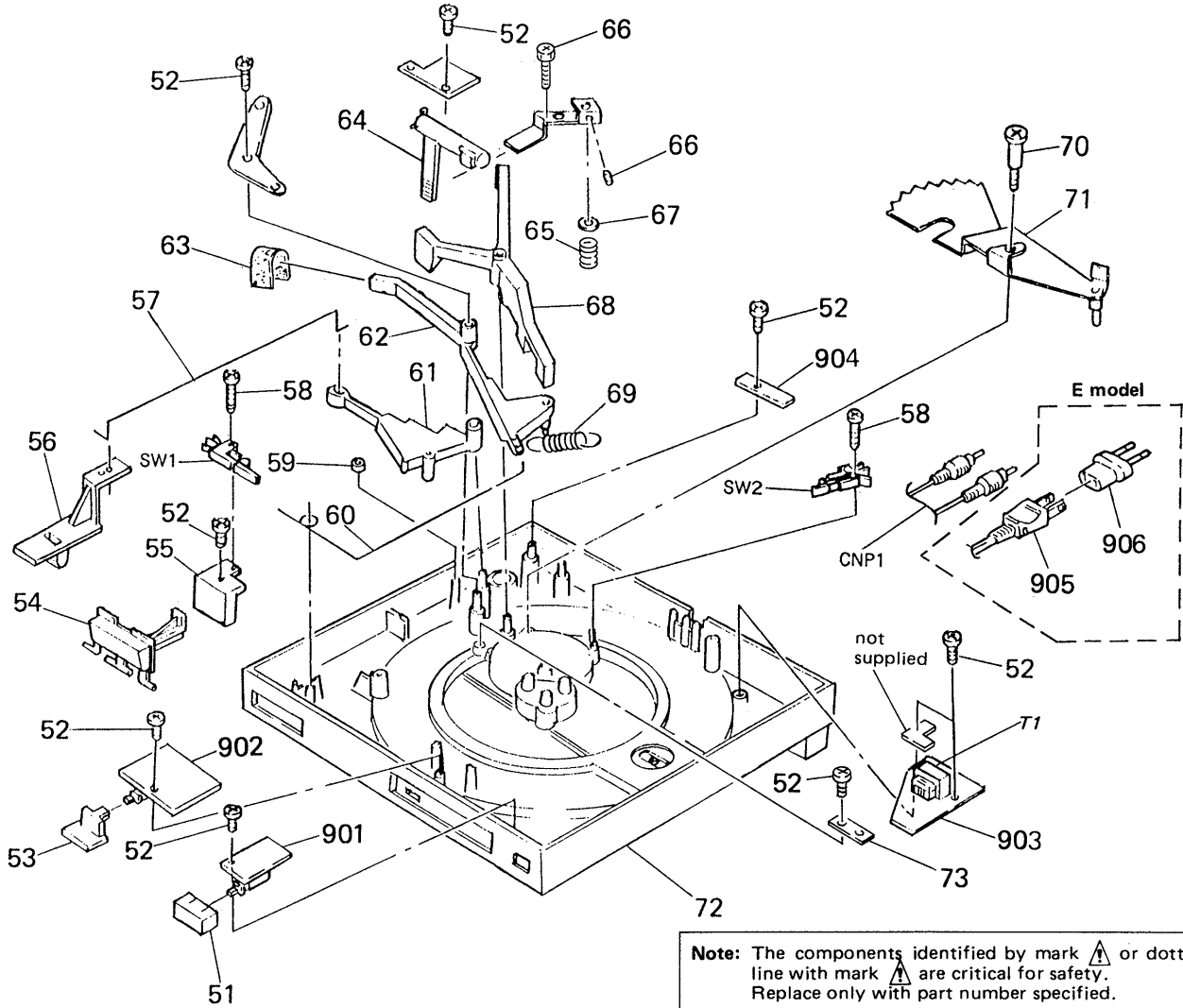
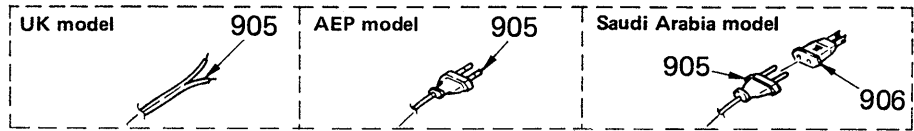
The components identified by mark or dotted line with mark are critical for safety. Replace only with part number specified.

4-1.



No.	Part No.	Description	Remarks	No.	Part No.	Description	Remarks
1	7-685-536-19	SCREW (+PTPW) (2.6X12)		23	4-913-591-01	HINGE	
2	4-913-588-01	INSULATOR		24	7-624-133-74	STOP RING 12, TYPE-CE	
3	4-928-232-01	COVER (INSULATOR)		25	7-624-133-64	STOP RING 11, TYPE-CE	
4	4-928-213-01	REST, ARM		26	X-4913-528-1	LEVER (INDEX G) ASSY	
5	4-913-578-01	HOOK, REST		27	*4-928-250-01	(AEP).....LABEL, MODEL NUMBER (AEP1)	
6	4-928-233-01	WINDOW (SPEED)			*4-928-251-01	(UK).....LABEL, MODEL NUMBER (UK)	
7	A-4633-116-A	BEARING ASSY			*4-928-252-01	(E,Saudi Arabia)...LABEL, MODEL NUMBER(E)	
8	7-685-134-19	SCREW +BTP 2.6X8 TYPE2 N-S		28	*X-4913-522-1	LEVER (INDEX F) ASSY	
9	4-928-230-01	TURNTABLE		29	3-548-124-00	SPRING, TENSION	
10	4-928-226-01	SHEET (T,T)		30	4-928-208-01	CAM.(DP)	
11	4-880-655-01	BELT		31	4-928-220-01	LEVER (ARM DRIVING A)	
12	4-909-061-11	CUSHION, MOTOR		32	4-928-221-01	LEVER (ARM DRIVING B)	
13	4-909-062-01	SCREW, MOTOR		33	7-685-647-79	SCREW, TAPPING	
14	7-624-190-81	STOP RING 2, TYPE-CS		34	7-624-190-61	STOP RING 2.4, TYPE-CS	
15	4-913-595-01	SCREW (STEP 2.6 TP)		35	*4-928-228-01	PLATE, BOTTOM	
16	4-874-254-00	CLUTCH (S)		36	4-874-279-00	CLUTCH (L)	
17	4-874-232-00	CLUTCH (R)		37	4-880-524-00	GEAR (S), DRIVE	
18	4-913-592-01	CUSHION (DUST)		M101	A-4604-213-A	(UK).....MOTOR ASSY	
19	A-4604-166-A	ARM ASSY		M101	A-4608-363-A	(AEP,E,Saudi Arabia)...MOTOR ASSY	
20	*4-928-258-01	SHEET (UP AND DOWN) (B)					
21	*4-913-581-01	HOLDER (UP AND DOWN)					
22	4-928-229-01	COVER, DUST					

4-2.



Note: The components identified by mark \triangle or dotted line with mark \triangle are critical for safety. Replace only with part number specified.

No.	Part No.	Description	Remarks	No.	Part No.	Description	Remarks
51	4-922-903-01	BUTTON (PW)		70	4-913-596-01	SCREW (STEP 3 TP)	
52	7-685-134-19	SCREW +BTP 2.6X8 TYPE2 N-S		71	*X-4913-523-1	LEVER (MAIN) ASSY	
53	3-332-457-01	BUTTON (1/3), DUBBING		72	4-928-234-11	CABINET (PS-B)	
54	4-928-217-01	BUTTON (START)		73	*4-928-245-01	HOLDER (RESET)	
55	*4-913-583-01	HOLDER (START)		901	*1-628-892-11	PC BOARD, POWER SW	
56	4-913-579-01	KNOB (SIZE)		902	*1-628-895-11	PC BOARD, SPEED CONTROL	
57	*4-913-589-01	JOINT (SIZE)		903	*1-628-893-11	PC BOARD, POWER	
58	7-621-255-75	SCREW +P 2X12 TYPE2 NON-SLIT		904	*1-628-894-11	PC BOARD, PHONO	
59	*4-903-453-01	CUSHION (C)		905	\triangle .1-551-188-XX	(E).....CORD, POWER	
60	*4-913-593-01	JOINT (START)			\triangle .1-555-795-00	(AEP,Saudi Arabia) ...CORD, POWER, EULO PLUG	
61	*4-928-215-01	LEVER (SIZE)			\triangle .1-556-562-00	(UK).....CORD, POWER	
62	*4-913-580-01	LEVER (RESET)		906	\triangle .1-506-401-00	(Saudi Arabia)....ADAPTOR, CONVERSION	
63	*4-913-597-01	SHEET (BRAKE)			\triangle .1-526-565-00	(E).....AC PLUG ADAPTOR	
64	4-928-214-01	LEVER (LIFTER)		CNP1	1-551-294-00	CORD (WITH PLUG)	
65	4-928-240-01	SPRING (LIFTER B), COMPRESSION		SW1	1-570-072-11	SWITCH (START/STOP)	
66	7-683-413-05	SCREW (HEXAGON HOLE) (2.6X8)		SW2	1-570-072-11	SWITCH (ARM RESET)	
67	4-928-244-01	WASHER		T1	\triangle .1-449-756-11	(AEP,UK).....TRANSFORMER, POWER	
68	*4-928-216-01	LEVER (CLUTCH)		T1	\triangle .1-449-757-11	(E,Saudi Arabia)...TRANSFORMER, POWER	
69	4-928-235-01	SPRING (RESET), TENSION					

SECTION 5

ELECTRICAL PARTS LIST

NOTE:

- Due to standardization, replacements in the parts list may be different from the parts specified in the diagrams or the components used on the set.
- Items marked "★" are not stocked since they are seldom required for routine service. Some delay should be anticipated when ordering these items.
- If there are two or more same circuits in a set such as a stereophonic machine, only typical circuit parts may be indicated and capacitors and resistors in other same circuits may be omitted.

CAPACITORS:

MF: μF , PF: $\mu\mu F$.

RESISTORS

- All resistors are in ohms.
- F: nonflammable

COILS

- MMH: mH, UH: μH

SEMICONDUCTORS

In each case, U: μ , for example:
 UA....: μA ..., UPA....: μPA ...,
 UPC....: μPC , UPD....: μPD ...

The components identified by mark Δ or dotted line with mark Δ are critical for safety. Replace only with part number specified.

Ref.No.	Part No.	Description
901	*1-628-892-11	PC BOARD, POWER SW
902	*1-628-895-11	PC BOARD, SPEED CONTROL
903	*1-628-893-11	PC BOARD, POWER
904	*1-628-894-11	PC BOARD, PHONO
905	Δ .1-551-188-XX	(E).....CORD, POWER
	Δ .1-555-795-00	(AEP,Saudi Arabia) ...CORD, POWER, EULO PLUG
	Δ .1-556-562-00	(UK).....CORD, POWER
906	Δ .1-506-401-00	(Saudi Arabia)...ADAPTOR, CONVERSION
	Δ .1-526-565-00	(E)...AC PLUG ADAPTOR
C1	1-124-480-11	ELECT 470MF 20% 25V
C2	1-124-477-11	ELECT 47MF 20% 25V
CNP1	1-551-294-00	CORD (WITH PLUG)
D1	8-719-937-50	DIODE DFO2M
Q1	8-729-900-65	TRANSISTOR DTA144ES
Q2	8-729-116-57	TRANSISTOR 2SB1013
M101	A-4604-213-A	(UK).....MOTOR ASSY
M101	A-4608-363-A	(AEP,E,Saudi Arabia)...MOTOR ASSY
R2	1-249-437-11	CARBON 47K 5% 1/4W
R3	1-249-417-11	CARBON 1K 5% 1/4W
R4	1-247-838-00	CARBON 2K 5% 1/4W
R6	1-249-405-11	CARBON 100 5% 1/4W
RV1	1-228-991-00	RES, ADJ, CARBON 2.2K
RV2	1-228-991-00	RES, ADJ, CARBON 2.2K
SW1	1-570-072-11	SWITCH (START/STOP)
SW2	1-570-072-11	SWITCH (ARM RESET)
SW3	1-570-879-11	SWITCH, PUSH (1 KEY)(POWER)
SW4	Δ .1-570-974-11	(E)...SWITCH, SLIDE (VOLTAGE SELECTOR)
SW5	1-570-879-11	SWITCH, PUSH (1 KEY)(SPEED)
T1	Δ .1-449-756-11	(AEP,UK).....TRANSFORMER, POWER
T1	Δ .1-449-757-11	(E,Saudi Arabia)...TRANSFORMER, POWER
TN1	*1-535-688-11	TERMINAL
TN2	*1-535-688-11	TERMINAL

ACCESSORY & PACKING MATERIAL

- 3-701-806-00 ADAPTOR, 45, (E)
- 3-750-420-11 MANUAL, INSTRUCTION
- 3-750-420-41 (AEP)...MANUAL, INSTRUCTION
- *4-913-575-01 CUSHION (LEFT)
- *4-913-576-01 CUSHION (RIGHT)
- *4-928-257-01 INDIVIDUAL CARTON

