

**SONY®**

**AUTOMATIC STEREO TURNTABLE SYSTEM**

# PS-X5



## **Owner's Instruction Manual**

Before operating your new Sony turntable, please read this manual completely to become familiar with all its features and capabilities.

Keep this manual handy for future reference.

## OWNER'S RECORD

The model and serial numbers are located at the rear. Record these numbers in the spaces provided below. Refer to them whenever you call upon your Sony dealer regarding this product.

Model No. PS-X5

Serial No. \_\_\_\_\_

## TABLE OF CONTENTS

Features . . . . .	2
Warning . . . . .	2
Precautions . . . . .	2
Notes on installation . . . . .	2
Parts identification . . . . .	3
Turntable assembly . . . . .	3
Cartridge installation . . . . .	4
Tonearm assembly and adjustment . . . . .	4
Connections . . . . .	7
Record playing . . . . .	7
Tips on record handling . . . . .	9
Tonearm drop-point adjustment . . . . .	9
Maintenance . . . . .	9
Repacking for shipment . . . . .	10
Specifications . . . . .	10
Trouble checks . . . . .	11

## FEATURES

- Automatic turntable—auto start, auto stop, auto return, and auto repeat functions are activated by merely pushing the START/STOP button and the REPEAT button.
- The Crystal Lock System maintains the turntable at an accurate nominal speed under voltage or temperature variations or aging, and shows excellent initial drift and load/speed characteristics.
- With a newly developed BSL (brushless and slotless) Motor having a torque of 1 kg-cm, excellent starting characteristics within a third revolution at 33 1/3 are obtained.
- A servo system, which consists of a turntable with a magnet coated rim and an 8-pole magnetic pick-up head, and the BSL Motor free from torque irregularity, assure minimal wow and flutter and a high signal-to-noise ratio. The turntable attains nominal speed almost immediately after changing from 33 1/3 rpm to 45 rpm or vice versa.
- The automatic operation system is designed so as not to affect the tonearm if you accidentally touch it while it is moving in the auto start or auto return mode, or in case you change the record size selector position during an operation mode.
- Acoustic material SBMC (Sony Bulk Mold Compound) is used in the constructions of the frame, to reduce outside vibration effects to a minimum.
- Newly developed cushion feet effectively prevent acoustic feedback.

## WARNING

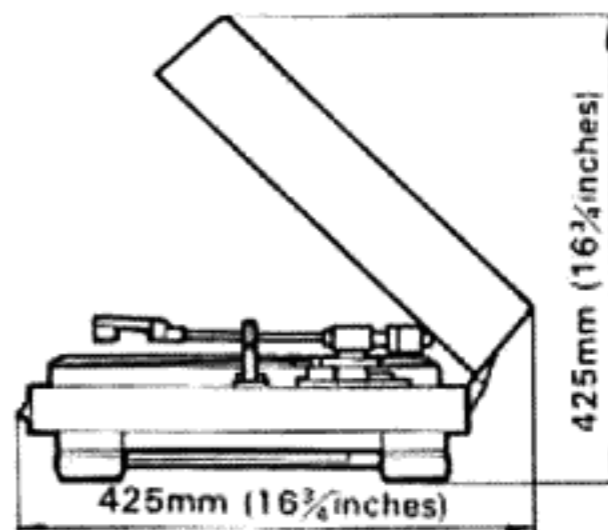
- To prevent fire or shock hazard, do not expose the unit to rain or moisture.
- To avoid electrical shock, do not open the cabinet. Refer servicing to qualified personnel only.

## PRECAUTIONS

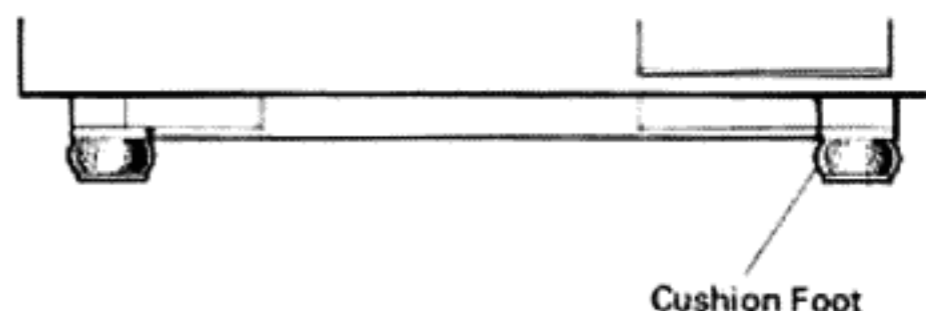
- Check that the operating voltage for your unit is identical with that of your local power supply.
- Should any liquid or solid object fall into the cabinet, unplug the unit and have it checked by qualified personnel before operating it any further.
- Unplug the unit from the wall outlet if it is not to be used for an extended period of time. To disconnect the cord, pull it out by grasping the plug. Never pull it out by the cord.

## NOTES ON INSTALLATION

- Place the turntable on a level surface.
- Avoid placing the unit near electrical appliances (such as a television, hair dryer, or fluorescent lamp) which may cause hum or noise.
- Avoid any vibration such as from speakers, slamming of doors, etc.
- Keep the unit away from direct sunlight, extremes of temperature, or excessive dust and moisture.
- Allow 10 cm (4 inches) clearance behind the unit so that the cover can be opened.

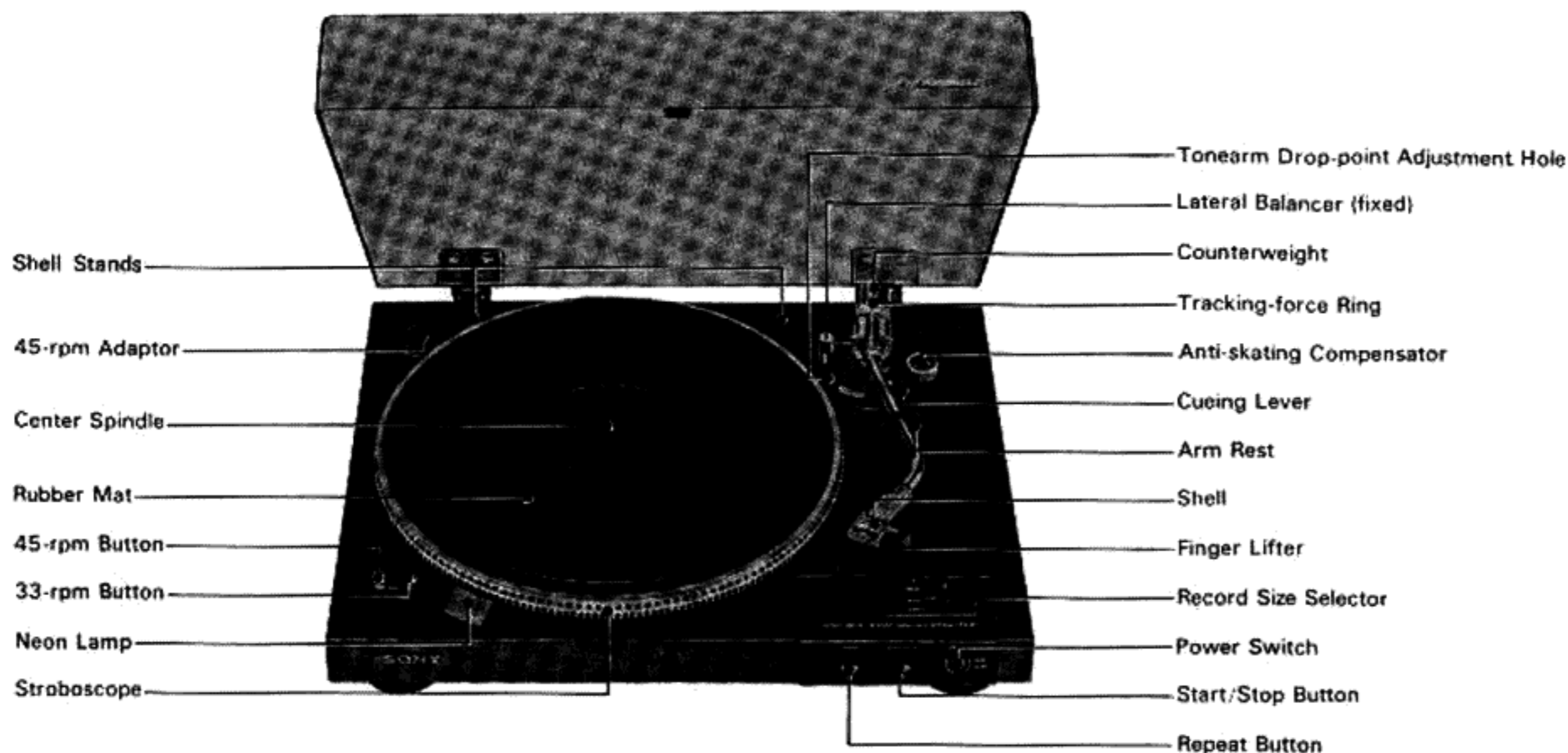


- The turntable has cushion feet that isolate the mechanism from external shock and vibration. Use them in locked position, but when placing the turntable on an uneven surface, turn each foot counterclockwise until the unit is level. Be sure not to pinch or remove the rubber. (When turning a foot, take care not to turn it to the end of the thread, or the foot will detach itself.)



## PARTS IDENTIFICATION

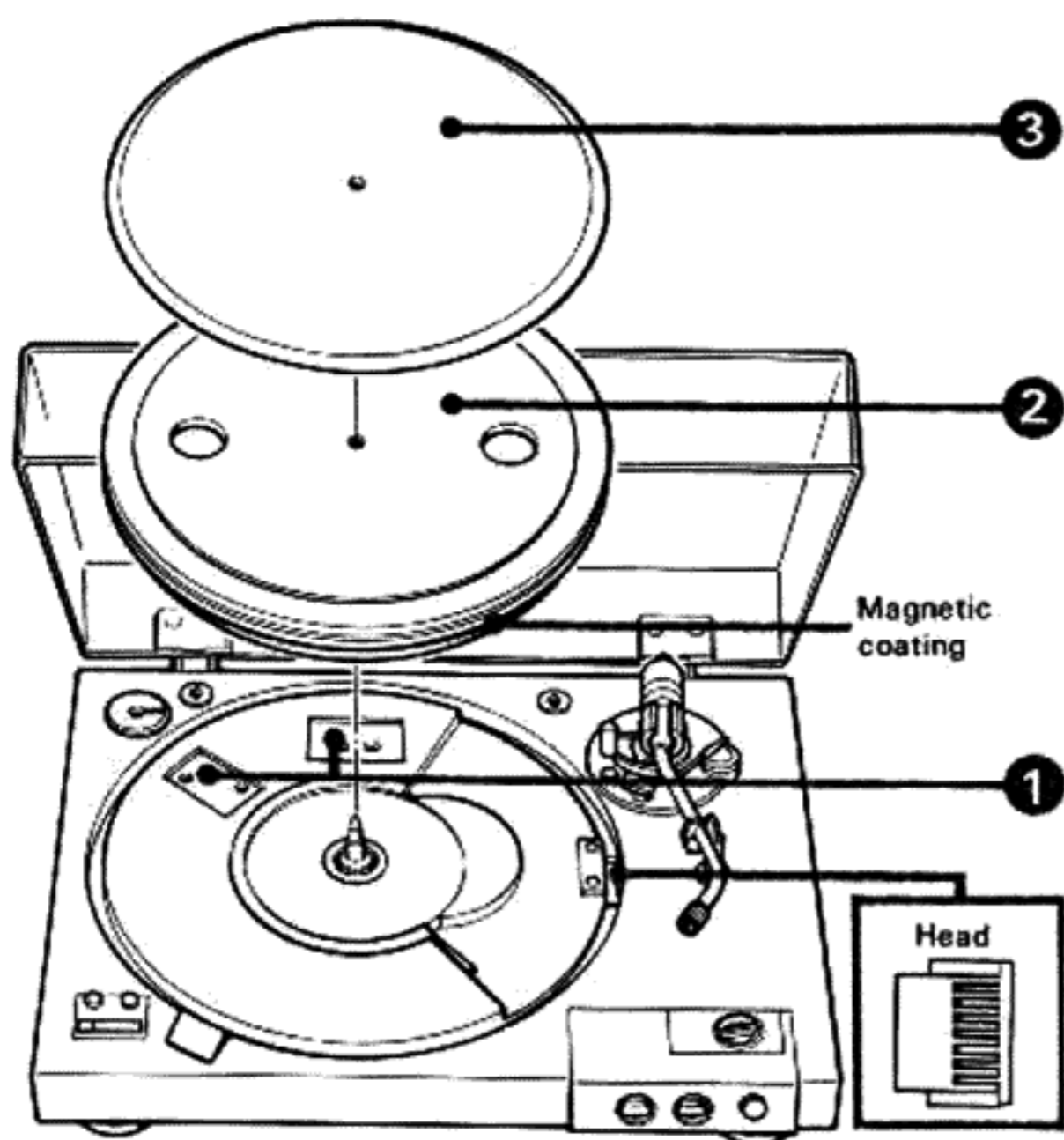
The picture below shows the appearance of the assembled turntable.



## TURNTABLE ASSEMBLY

Do not connect the power cord or the connecting cords until after finishing the assembly.

Remove all packing material and clean the cabinet.



① Remove the red-painted transit screws. Store them in the holes on the label. (These screws will be required when repacking.)

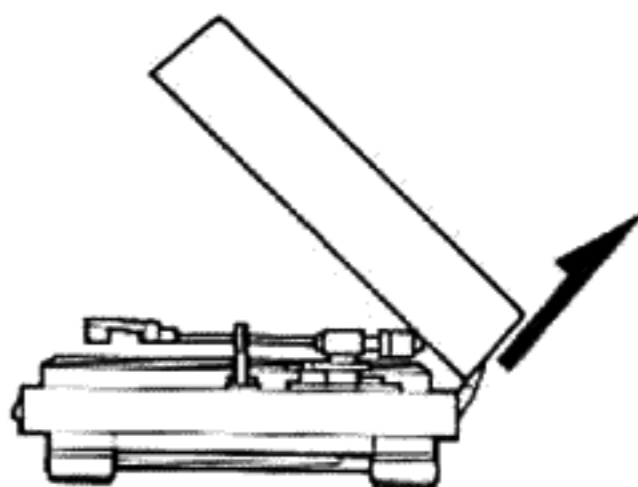
② Carefully place the platter on the motor board by matching the center hole and the center spindle.

● Do not touch the magnetic coating with your fingers or damage the magnetic pick-up head.

③ Place the rubber mat on the platter.

**To remove the dust cover**

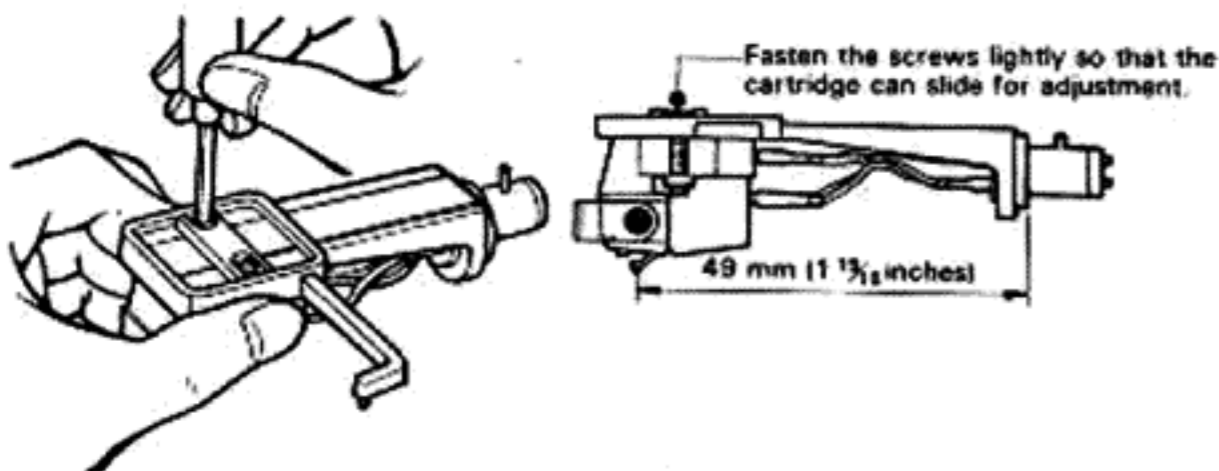
Open the dust cover fully and slide it as illustrated while holding it with both hands.



## CARTRIDGE INSTALLATION

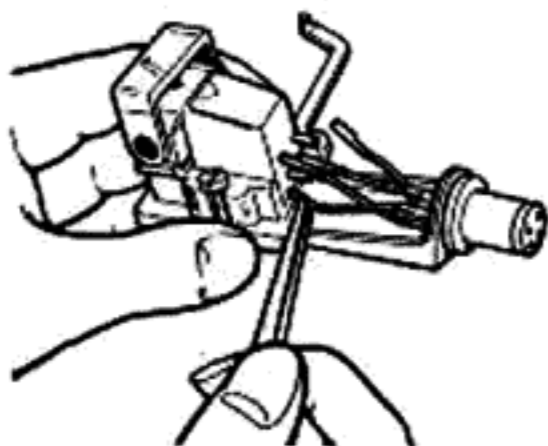
A cartridge weighing between 2.5 and 9.5 g can be mounted with the supplied shell. Heavier cartridges from 8 to 14.5 g can be mounted using the extra weight (supplied).

- 1 Select the most suitable length of cartridge mounting screws according to the height of your cartridge. (Three pairs of screws of various lengths are supplied.)
- 2 Install the cartridge into the shell with the supplied mounting screws so that the distance between the shell end and the stylus tip is 49 mm (1 15/16 inches). The temporary overhang adjustment is then complete. More precise adjustment should be made later.



- 3 Connect the lead wires of the shell to the corresponding pins on the cartridge.

Wires	Cartridge pins
White .....	L (left channel signal)
Blue .....	LE or G (left channel ground)
Red .....	R (right channel signal)
Green .....	RE or G (right channel ground)



- 4 Shell stands are provided on the base of the turntable for extra mounted cartridges.

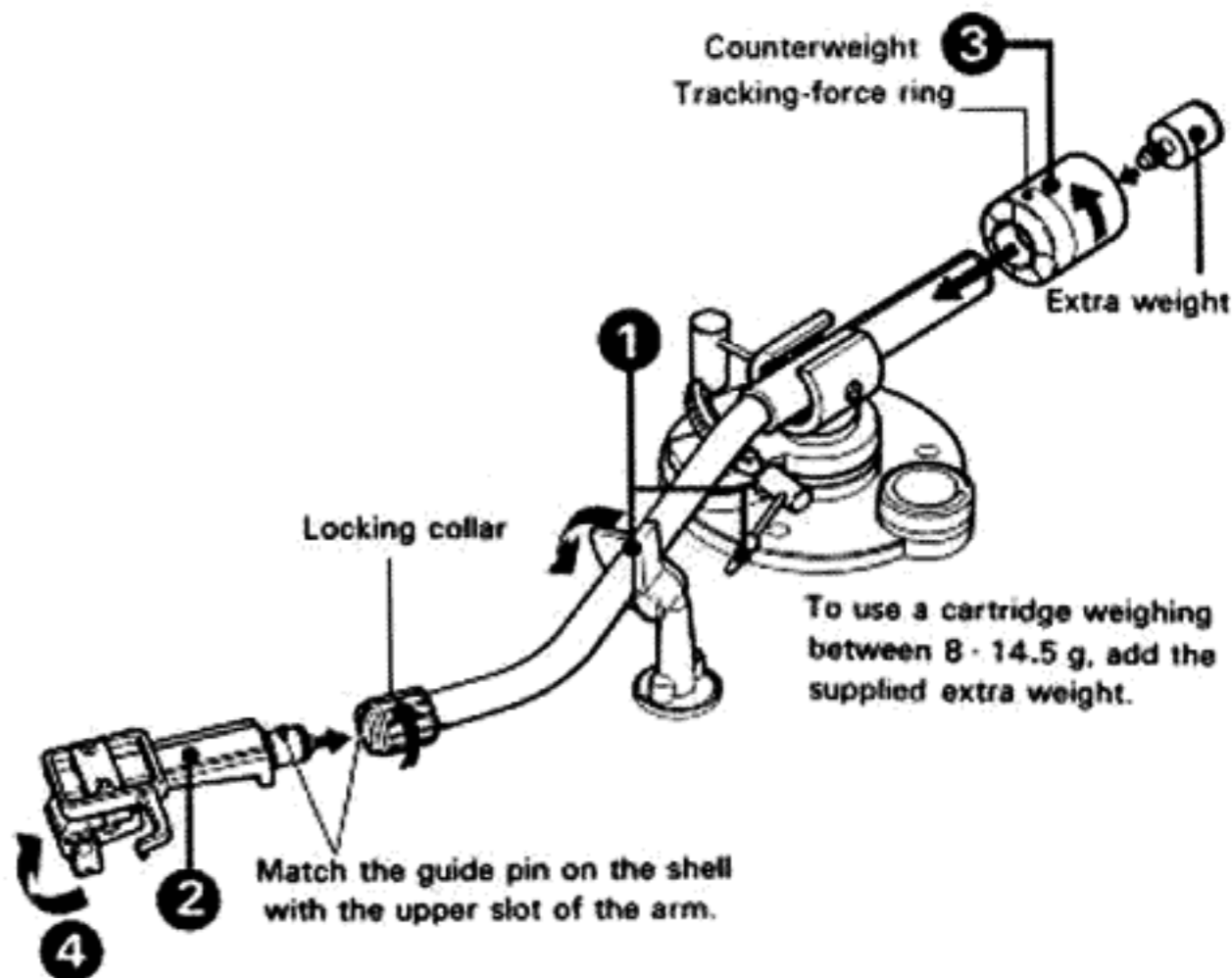
## TONEARM ASSEMBLY AND ADJUSTMENT

The following procedures should be performed on a level surface. Be careful not to damage the stylus tip while making adjustments.

When a cartridge is replaced, readjustments are required.

### Preparation

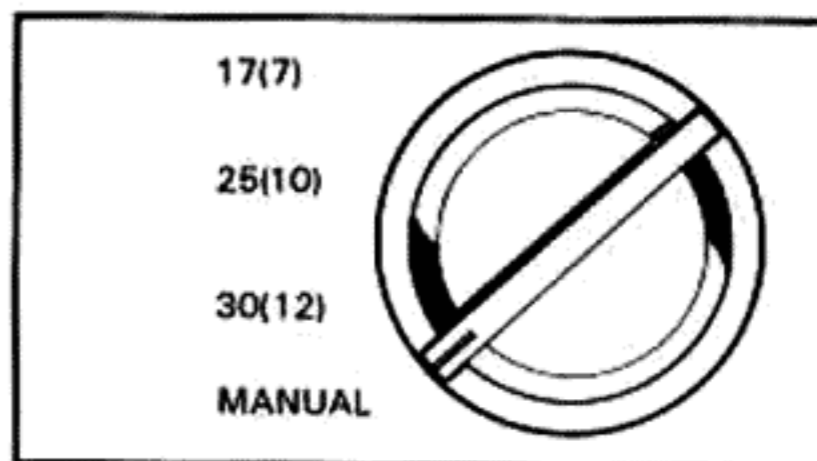
- 1 Secure the Tonearm to the Arm Rest and lower the Cueing Lever.
- 2 Plug the Shell into the Tonearm and turn the Locking Collar counterclockwise until the Shell is firmly locked.
- 3 Insert and turn the Counterweight counterclockwise several turns. (The Tracking-force Ring turns simultaneously.)
- 4 Remove the stylus guard, if fitted.



### Longitudinal balance adjustment \*1

For this adjustment, connect the power cord and turn on the POWER switch.

- 1 Set the Record Size Selector to the MANUAL position.

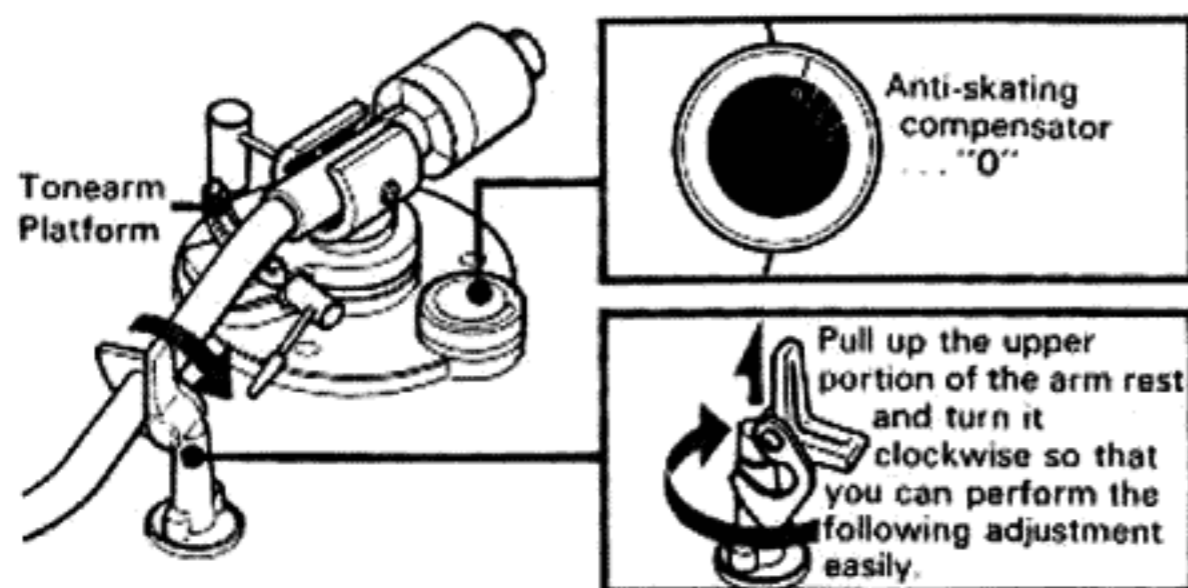


\* 1 Longitudinal balance adjustment

While playing the record, the weight of the tonearm is supported by the arm pivot and only tracking force is applied to the stylus tip. To accomplish this, the tonearm must first be balanced horizontally, with the tracking force indicator set at "0".

② Push the START/STOP Button. The turntable will start rotating. After several rotations of the turntable, turn off the POWER Switch; do not turn off the START/STOP Button. This will cause the Tonearm Platform to lower and permit a more positive longitudinal balance adjustment.

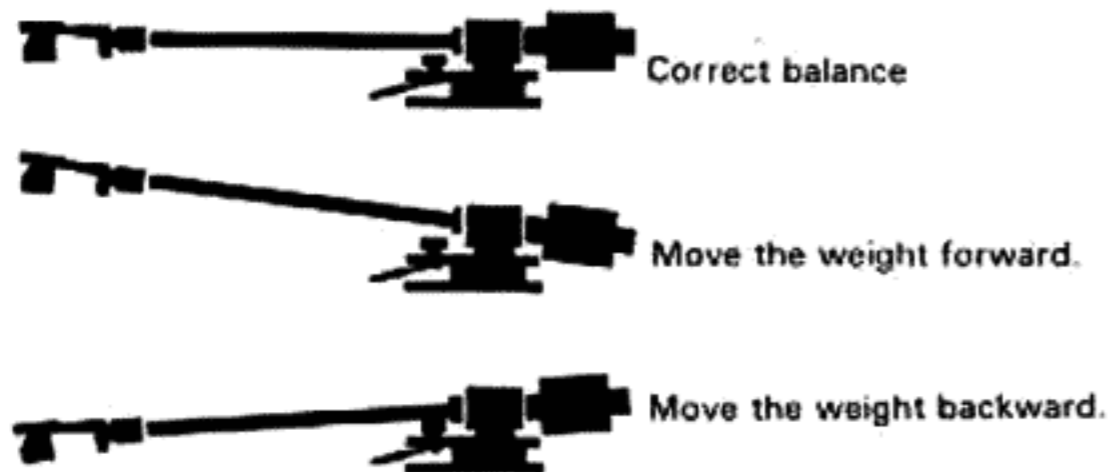
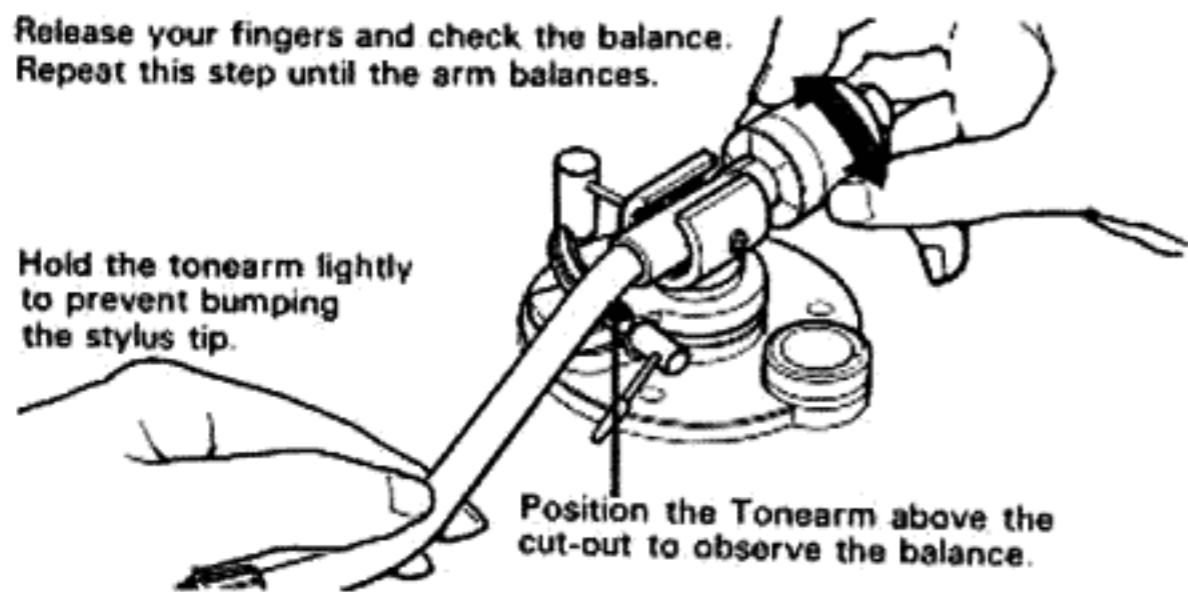
- ③ Be sure that the Anti-skating Compensator is set at "0".
- ④ Release the Tonearm from the Arm Rest and set the Arm Rest as illustrated.



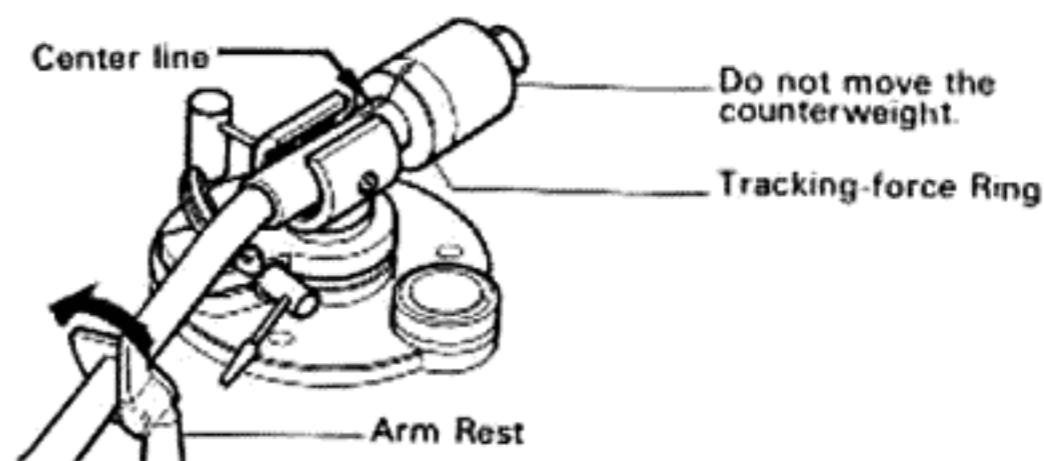
⑤ Turn the Counterweight as required until the Tonearm is in the horizontal balanced position. (The Tracking-force Ring turns simultaneously.)

Release your fingers and check the balance. Repeat this step until the arm balances.

Hold the tonearm lightly to prevent bumping the stylus tip.



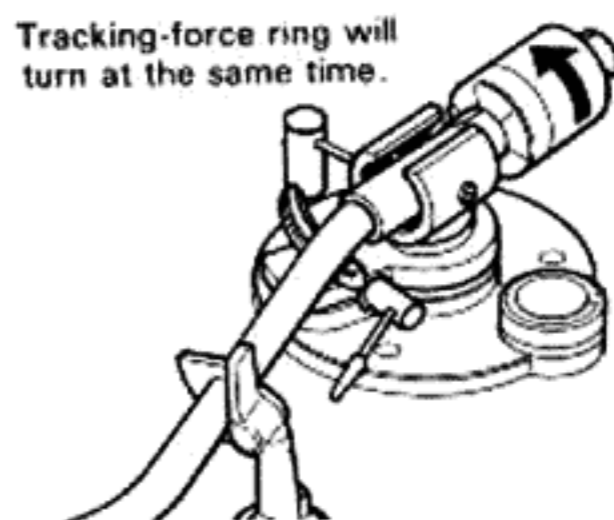
⑥ While holding the Counterweight at the balanced position, separately turn the Tracking-force Ring until the "0" indication meets the center line on the Tonearm. Recheck the balance.



⑦ Pull up the Arm Rest and turn it counterclockwise so that the Arm Rest returns to its original position. Secure the Tonearm to the Arm Rest.

#### Tracking-force adjustment \* 2

Turn the Counterweight counterclockwise so that the recommended tracking-force figure for your cartridge is aligned with the center line on the Tonearm. The maximum tracking force available is 3 grams.



Proceed to the next overhang check.

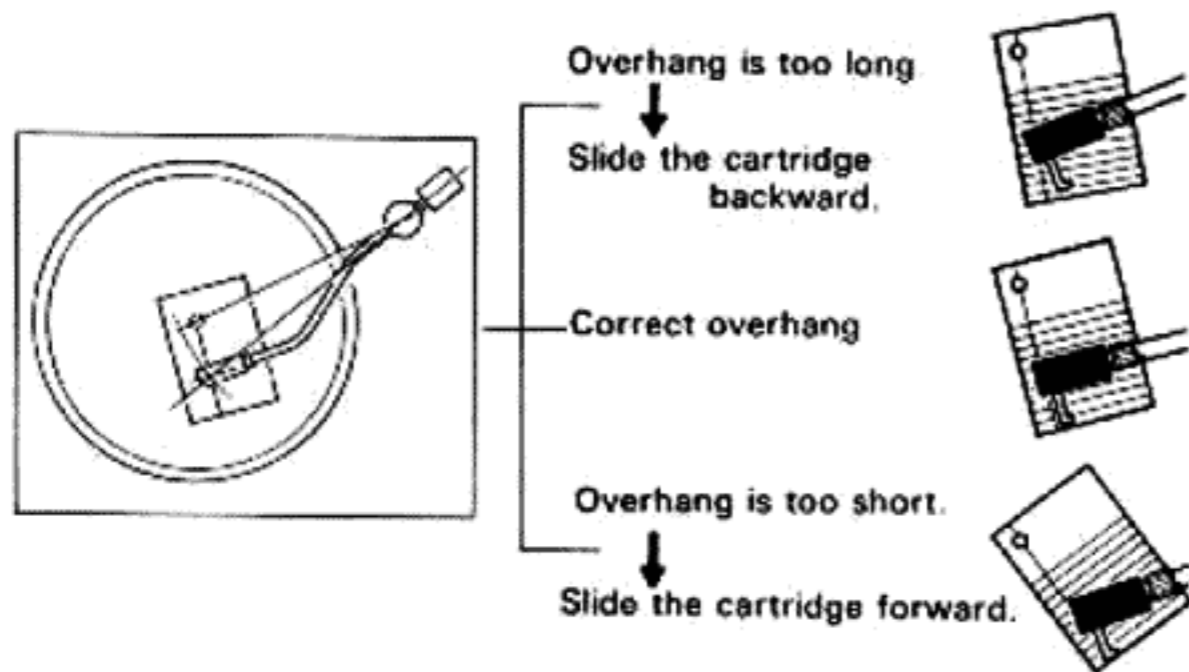
\* 2 Tracking force

After the longitudinal balance adjustment, apply the recommended tracking force weight so that the stylus tip will trace the music groove accurately.

### Overhang check \* 3

Check that the stylus overhang is set correctly by using the Alignment Protractor supplied.

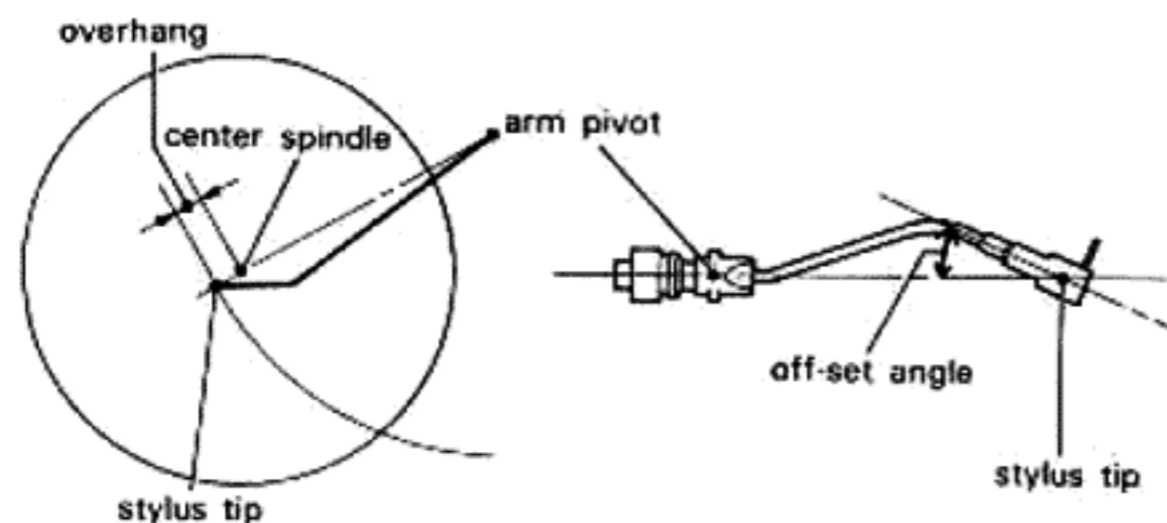
- 1) Place the hole of the Alignment Protractor over the Center Spindle.
- 2) Release the clasp of the Arm Rest and lift up the Cueing Lever. The Tonearm Platform will rise.
- 3) Bring the Tonearm above the cross point of the two fine lines, and carefully lower the stylus on the cross point with the Cueing Lever.
- 4) Check to see that the Shell is parallel to the thick lines drawn on the Alignment Protractor as shown in the center illustration. If they are parallel, the stylus overhang is set correctly.
- 5) If the Shell is not parallel, readjust the stylus overhang.
  - 1) Loosen the cartridge mounting screws and slide the cartridge in the required direction.
  - 2) Re-tighten the screws.
  - 3) Recheck the balance and tracking-force adjustments.



After the adjustments are complete, install the stylus guard.

### \* 3 Overhang

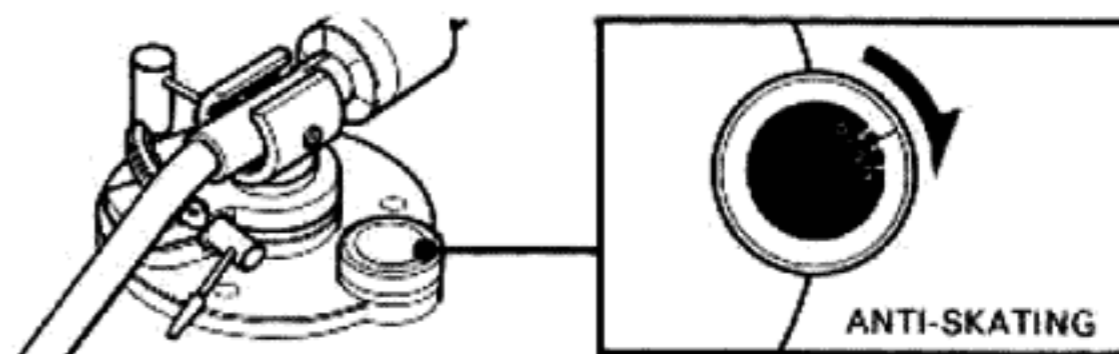
In record playing, because of the pivoted design of the tonearm, the stylus tip can be perfectly tangent to the music groove at only one point of the record. At all other portions of the record, there is a slight deviation of the stylus from tangency. This is called the tracking error, and introduces minute errors in the amplitude and timing of the reproduced signal as compared to the original, and other forms of distortion which may be introduced depending on the cartridge and stylus design.



Tracking error is minimized by the selection of an optimum "off-set" angle and "overhang" distance. Overhang is the distance between the stylus tip and the center spindle. This overhang adjustment is made at the time of installing a particular cartridge, while the off-set angle is fixed by the manufacturer of the tonearm.

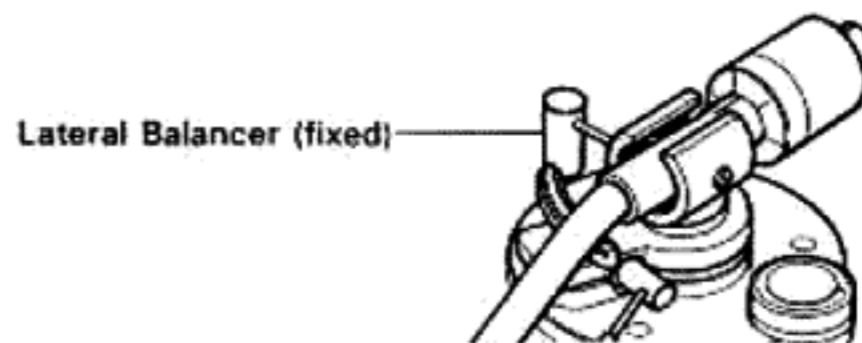
### Anti-skating compensation \* 4

Turn the Anti-skating Compensator so that the guide mark is aligned with the tracking-force value used.



### Lateral balance adjustment \* 5

This is fixed, and requires no adjustment.



### After the tonearm adjustments

When the Tonearm adjustments are completed, turn on the POWER Switch again and turn off the START/STOP Button to stop the turntable rotation. This will cause the Tonearm Platform to raise and be ready for record playing.

### \* 4 Anti-skating compensation

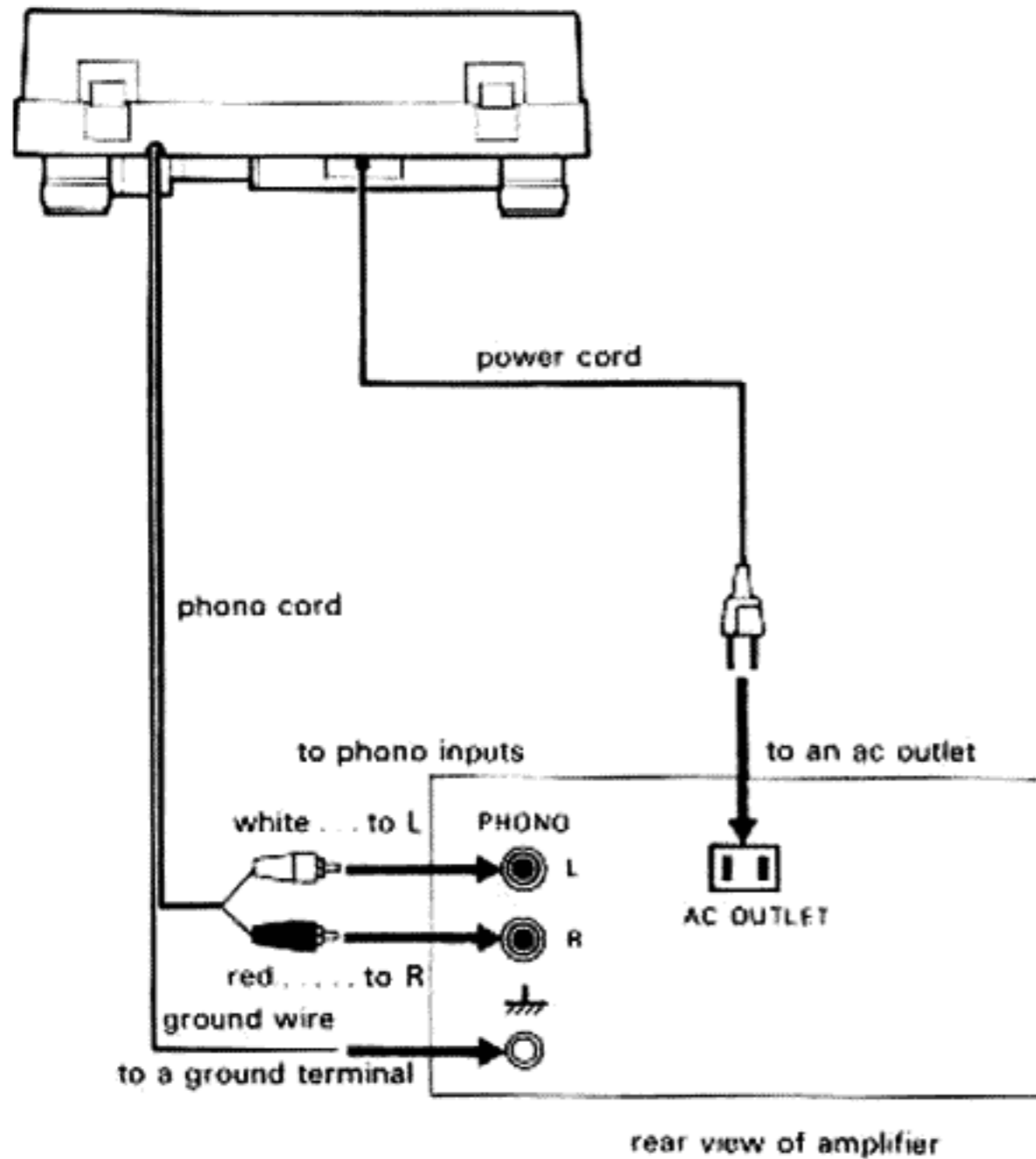
While the record is being played, the frictional force between the record groove and the stylus produces a force that tends to drive the tonearm toward the center of the record. The anti-skating compensation cancels the above mentioned force, and is applied in accordance with the tracking force. Incorrect anti-skating compensation results in sound distortion and uneven wear on both the stylus and the record.

### \* 5 Lateral balance

A lateral balancer (fixed) is provided to prevent the tonearm from moving inward or outward.

## CONNECTIONS

- When connecting to an accessory ac outlet on the amplifier use an unswitched type outlet.
- Check that the phono cord and power cord are not caught under any foot of the cabinet.
- Leave a little slack in the connecting cord to allow for inadvertent shock or vibration.



## RECORD PLAYING

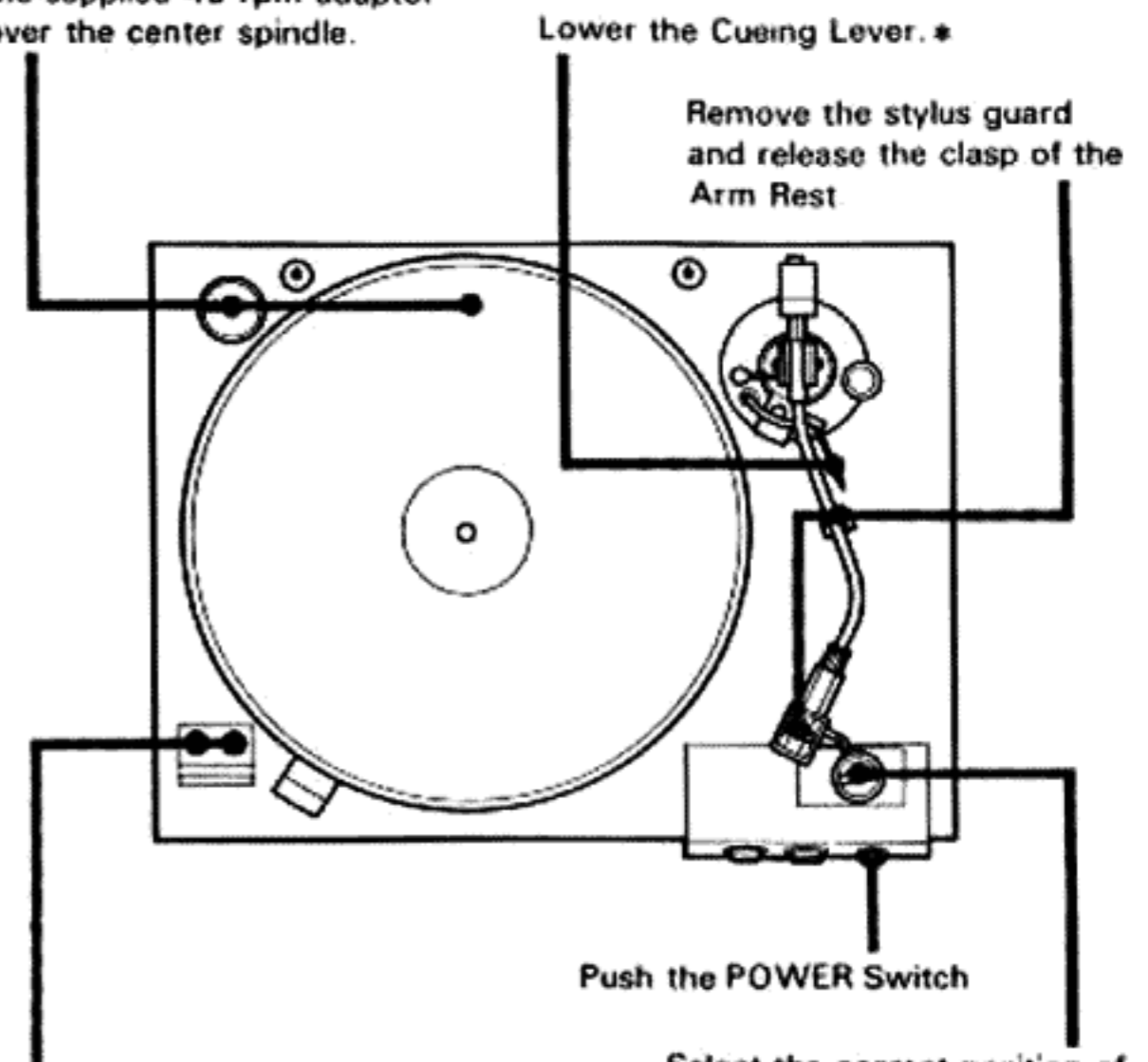
### AUTOMATIC PLAYING

#### Amplifier setting

- Lower the amplifier volume and set the input selector to PHONO. Turn on the amplifier.
- After the Tonearm has lowered onto the record, adjust the volume and tone of the amplifier.

- 1 Perform the following preparatory steps.

Place a record on the platter.  
 - For 17 cm (7 inch) records, put the supplied 45-rpm adaptor over the center spindle.



Push either the "33" or "45" -rpm Button according to the record speed.

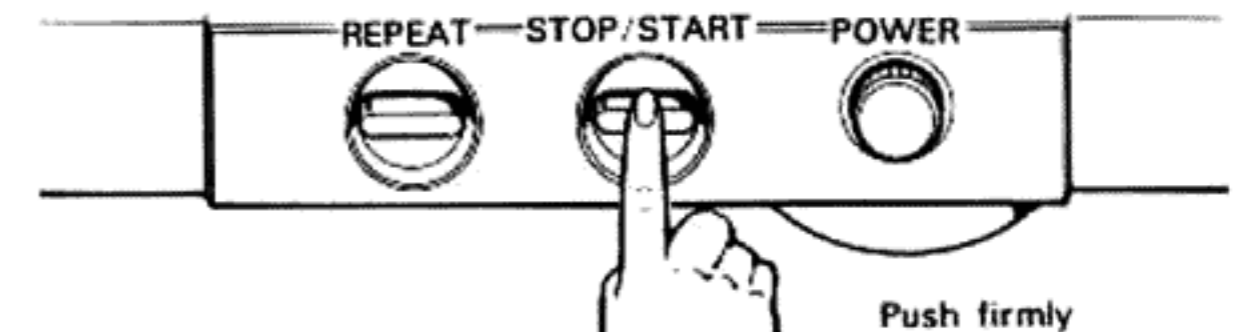
Select the correct position of the Record Size Selector according to the record size.

\* Note that if the Cueing Lever is up, the Tonearm will not lower onto the record (see "Cueing lever" on page 8).

- 2 Push the START/STOP Button.

The Tonearm will automatically move to the selected tonearm drop-point over the record and lower itself for play.

When the Tonearm reaches the end of the record, it will automatically rise and return to the Arm Rest, and the turntable will stop.



#### Notes

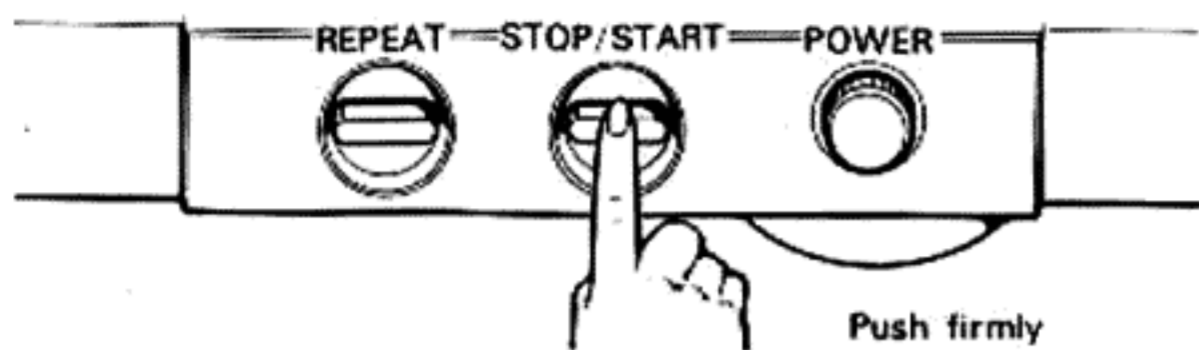
- Turn off the POWER Switch after the Tonearm returns fully to the Arm Rest. If the POWER Switch is turned off while the Tonearm is still moving in the return operation, the unit may not start correctly next time.

- Be sure to secure the Tonearm to the Arm Rest with the clasp when not in use. This insures that the safety device will function to prevent the Tonearm from moving if you mistakenly push the START/STOP Button with no record on the platter.

● When you use the START/STOP Button, push it firmly to initiate start/stop operation. This switch has an alternating push-to-start and push-to-stop function.

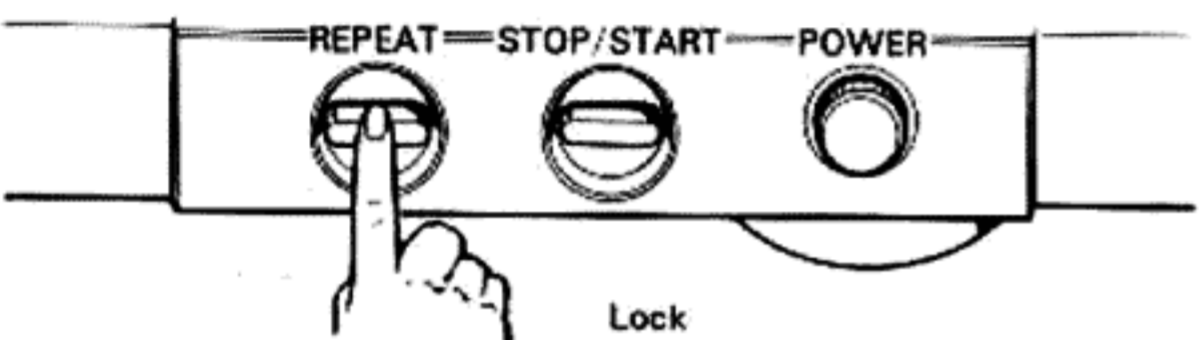
#### To stop during play

Push the START/STOP Button at any time during play. The Tonearm will automatically rise and return to the Arm Rest, and the turntable will stop.



#### Repeat playing

When continuous playing is required, depress the REPEAT Button at any time during play. The automatic arm return cycle is initiated at the end of the record and any record on the turntable will be repeated indefinitely until the REPEAT Button is released.



#### MANUAL PLAYING (to start playing part-way on the record)

- ① Lift up the Cueing Lever.
  - ② Set the Record Size Selector to the MANUAL position.
  - ③ Push the START/STOP Button; the turntable will start rotating.
  - ④ Bring the Tonearm to the desired position over the record.
  - ⑤ Lower the Cueing Lever toward you, and play will begin.
- When the Tonearm reaches the end of the record, the Tonearm will automatically rise and return to the Arm Rest, and the turntable will stop.

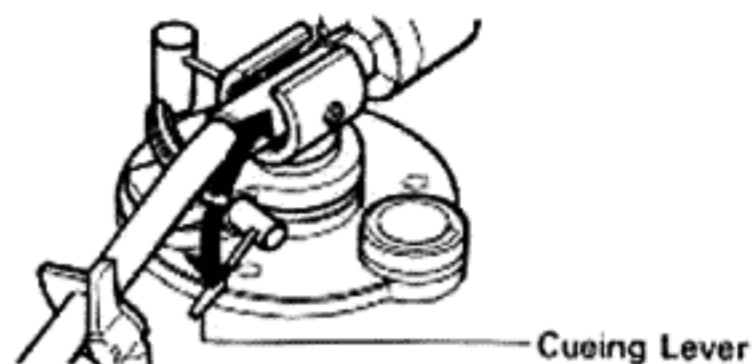
#### Notes

- If you bring the Tonearm too near the label of the record while the turntable is rotating, the Tonearm may return to the Arm Rest as a result of having activated the automatic return mechanism.
- If the REPEAT Button is depressed in manual playing, the repeat function will not operate. After playing, the Tonearm will return to the Arm Rest automatically, but the turntable will continue rotating. In this case, push the START/STOP Button to stop the turntable.

#### CUEING LEVER

This lever will raise or lower a Tonearm Platform that supports or releases the Tonearm, to facilitate cueing-lift operation. Normally keep this lever lowered because the Tonearm Platform will automatically rise or lower with the turn-on or turn-off of the START/STOP Button.

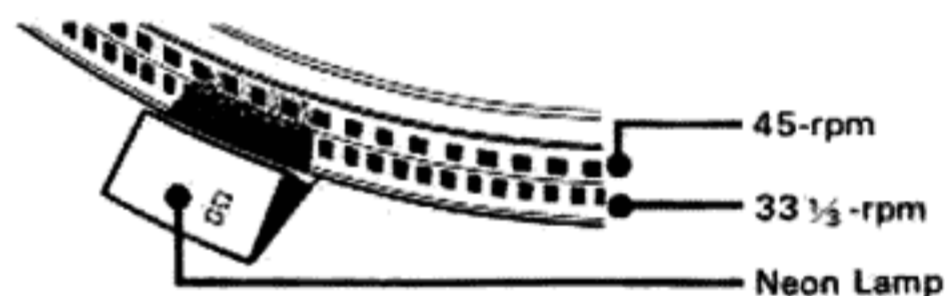
Lift up the Cueing Lever only when you lift up the stylus or change the listening point manually.



#### STROBOSCOPE AND NEON LAMP

The Crystal Lock System assures precise turntable speed. This is verified by viewing the neon lamp stroboscope pattern, which will appear stationary at the correct speed. The upper line is for 45 rpm and the lower for 33 1/3 rpm.

● Always view the stroboscope with the light of the neon lamp provided, not with the light of a fluorescent lamp. This is because the neon lamp is energized by a 120-Hz pulse from the built-in crystal oscillator and assures precise speed indication regardless of any line-frequency deviation.





## TIPS ON RECORD HANDLING

### Before playing

● Clean the stylus, using a soft brush (stylus brush, artist's paint brush, etc). Brush the stylus from back to front. Never attempt to clean the stylus with your finger tip.

● For routine cleaning of records, the use of a barely damp soft cloth (gauze, etc.) or a fluid type cleaner will be effective. If a spray type record cleaner is used, make sure that the cleaner has dried completely before playing the records. Playing the record before the fluid has dried may damage the record. It is a good idea to clean the record again before putting it away.

● Handle a record by its edges and don't touch the music grooves. Finger prints on the record surface may induce an accumulation of dust, resulting in impaired tone.

### When record playing

● It is recommended that you reduce the amplifier volume before you lower the tonearm onto the record.

● While the turntable is energized, don't attempt to stop or reverse the turntable by hand.

● During play, be sure to close the dust cover. Don't place anything on the dust cover.

● While playing, never attempt to move the turntable or touch the tonearm.

### After playing

● Avoid exposing records to any source of heat, such as direct sunlight, a hot-air duct, etc. Store records vertically without applying any pressure or inclining to either side. This will minimize any warpage.

● When not using the turntable, close the dust cover.

### Other precautions

● Don't put anything but records on a turntable.

● Don't place anything but the spare cartridges and 45-rpm adaptor on the turntable deck.

## TOEARM DROP-POINT ADJUSTMENT

At the factory, the tonearm has been adjusted to have the correct drop point in the automatic playing mode. If this needs to be readjusted, proceed as follows.

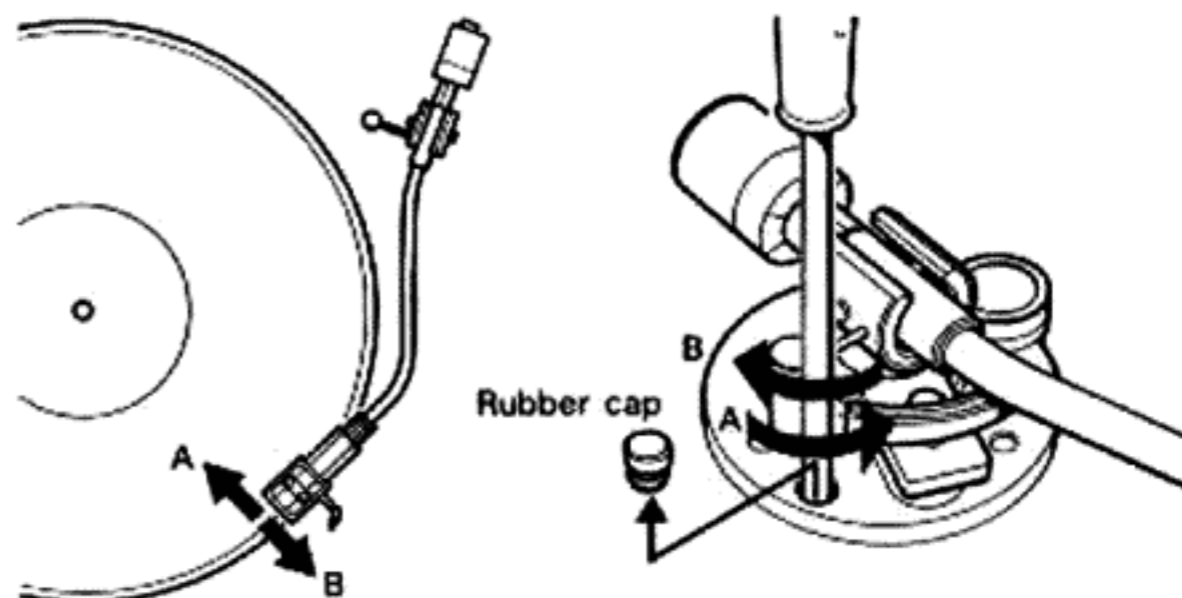
① Remove the rubber cap of the tonearm drop-point adjustment hole located at the left side of the arm base.

② Insert the supplied screwdriver into the hole.

To change the drop point inward . . . Turn the screw slightly counterclockwise.

To change the drop-point outward . . . Turn the screw slightly clockwise.

● Once it is properly adjusted with a 30 cm (12") record, the drop point will be correct for 17 cm (7") and 25 cm (10") records as well.



## MAINTENANCE

● Clean the cabinet and dust cover periodically with a soft dry cloth. Do not use solvents such as alcohol, benzine or thinner, since they will damage the finish.

● When the rubber mat becomes dirty, wipe it gently with a soft cloth slightly dampened with water.

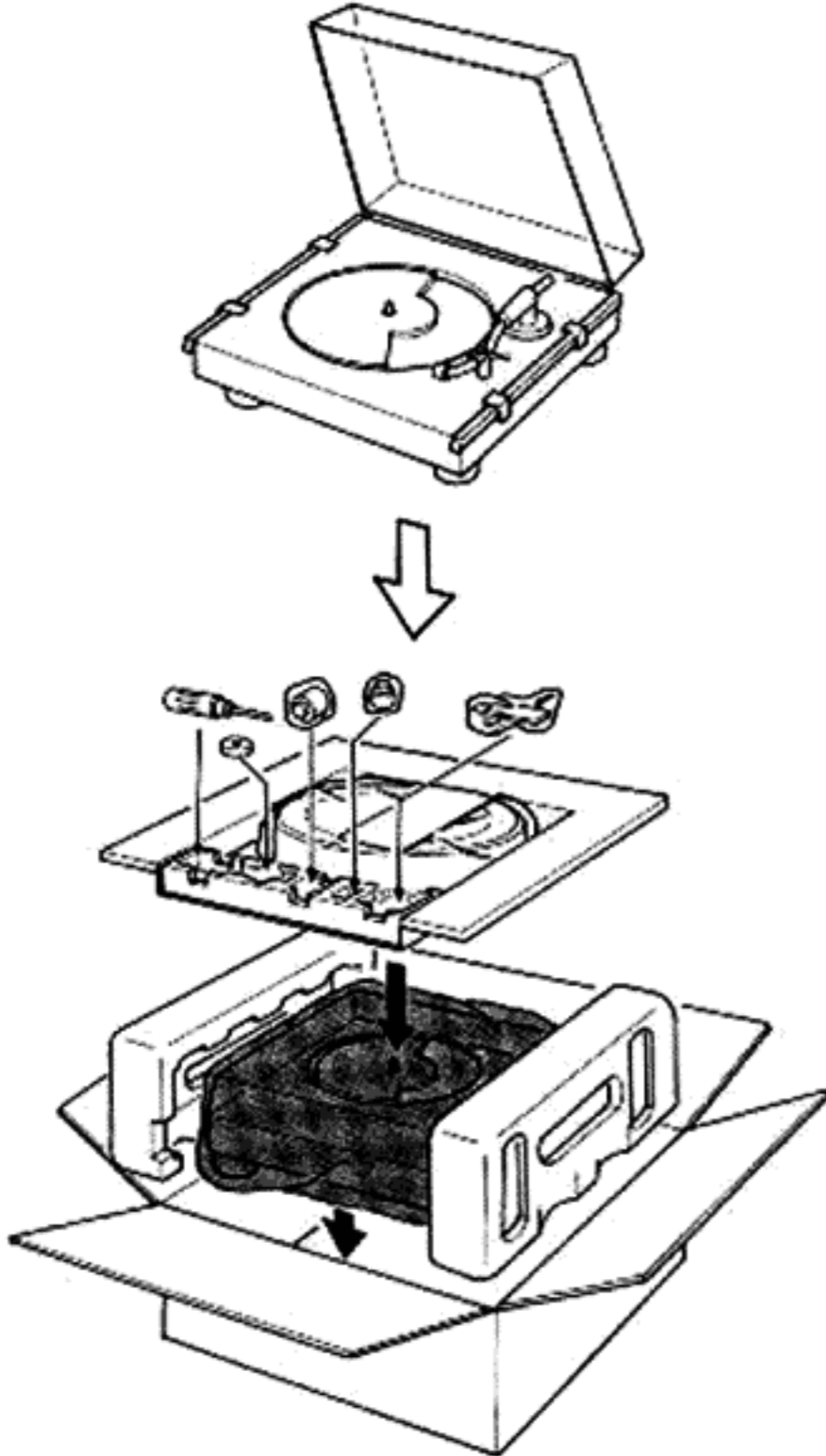
● No lubrication is required for this turntable. The motor shaft is factory lubricated for the life of the turntable.

## REPACKING FOR SHIPMENT

The original shipping carton and packing material (which we asked you to save) is the ideal container for use in shipping the unit for repair work, or to another location. To secure the maximum protection, it must be repacked in this material precisely, as before. The proper repacking procedure is shown in the illustration.

● Clip the tonearm to the arm rest and bind it there with a tape.

● Fasten the transit screws in their original position by referring to the illustration of "TURNTABLE ASSEMBLY" to secure the inside parts to the cabinet. Turn the screws fully clockwise.



## SPECIFICATIONS

<b>Turntable</b>	
Platter	31.7 cm (12 1/2 in.), aluminum-alloy diecast
Motor	DC servo-controlled motor (brushless and slotless)
Drive System	Direct drive, crystal lock control system
Speed	33 1/3 rpm, 45 rpm
Starting characteristics	Comes to nominal speed within a third revolution (33 1/3 rpm)
Wow and flutter	±0.045% (DIN) 0.025% (WRMS)
S/N ratio	73 dB (DIN-B)
Initial drift	Within 0.0003%
Load characteristics	0% at 150 g tracking force
Speed deviation	Within 0.003%
Automatic system	Lead-in, return, reject, repeat
<b>Tonearm</b>	
Type	Statically balanced, universal
Pivot-to-stylus length	216.5 mm (8 1/2 in.)
Overall arm length	300 mm (11 7/8 in.)
Overhang	16.5 mm (21/32 in.)
Tracking error	+3°, -1°
Tracking-force adjustment range	0 - 3 g
Shell weight	10.5 g
Cartridge weight range	2.5 - 9.5 g 8 - 14.5 g (with extra weight)
<b>General</b>	
Power requirements	120 V ac, 60 Hz
Power consumption	8 W
Dimensions	Approx. 445 × 150 × 375 mm (w/h/d) (17 1/2 × 5 7/8 × 14 3/4 in.)
Weight	including projecting parts and controls Approx. 10.3 kg (22 lb 12 oz), net Approx. 12.1 kg (26 lbs 11 oz), in shipping carton
Supplied accessories	45-rpm adaptor Extra weight Alignment protractor Screw driver Cartridge mounting screws (3 pairs) Shell

Design and specifications subject to change without notice.

## TROUBLE CHECKS

The following chart will help correct most problems which may occur with the unit. If the problem persists after you have made these checks, consult your Sony Service Station or Sony dealer.

### **Impaired tone quality**

- Turntable not level
- Unit incorrectly placed on or near a speaker
- Dusty stylus
- Worn stylus or defective record (The stylus life is approx. 400 hours of playing time.)
- Incorrect cartridge installation
- Improper tonearm balance
- Improper tracking force
- Improper setting of the Anti-skating Compensator
- Improper turntable speed

### **No audio from one channel**

- Loose attachment of the shell to the tonearm
- Loose connection of phono cord
- Low volume level setting for one channel of the amplifier
- Incorrect connection of the shell lead wires

### **Groove skipping, Tonearm tends to skate out, Tonearm does not advance (record repeats)**

- Turntable not level
- Defective record
- External vibrations
- Improper tracking force
- Improper setting of the Anti-skating Compensator

### **Steady low-pitched sound (hum)**

- Loose ground wire connection to the amplifier
- Loose connection between the shell and the tonearm
- Incorrect connection of the shell lead wires
- Transit screws not removed

### **Loud rumble or low-frequency "howl" which occurs when playing a record at high sound levels (acoustic feedback\*)**

- Put the turntable on a sturdy surface.
- Put the turntable as far away from the speakers as possible.
- If the above does not rectify the problem, try commercially available acoustic insulators designed to be put between the feet and shelf.

\* Acoustic feedback: The vibration of speakers is transmitted through the air or via solid objects (shelves, cabinets, floor, etc.) to the turntable, picked up by the cartridge stylus, amplified, and again reproduced through the speakers.