

RCD-W1

SERVICE MANUAL

Ver 1.1 2001.04

US Model
Canadian Model
E Model



SPECIFICATIONS

DECK A (the CD player section)

System	Compact disc and digital audio system
Frequency response	20 Hz – 20,000 kHz (± 0.5 dB)
Signal-to-noise ratio	More than 100 dB
Dynamic range	More than 93 dB

DECK B (the CD-R and CD-RW recording section)

System	Compact disc digital audio system
Playable discs	CD, CD-R, CD-RW
Recordable discs	CD-R, CD-RW (for music use)
Frequency response	20 to 20,000 Hz ± 0.5 dB
Signal-to-noise ratio	Over 96 dB during playback
Dynamic range	More than 93 dB during playback

Inputs

ANALOG IN (Phono jacks)	impedance 47 kilohms Rated input 330 mVrms Minimum input 125 mVrms
DIGITAL OPTICAL IN (Square optical connector jack)	Optical wavelength 660 nm

Outputs

ANALOG OUT (Phono jacks)	impedance 47 kilohms Rated output 2 Vrms Load impedance over 10 kilohms
OPTICAL DIGITAL OUT (Square optical connector jack)	Wavelength 660 nm Output level -18 dBm

General

Power requirements	120 V AC, 60 Hz
U S A and Canada	28 W
Power consumption	
Dimensions (approx) (w/h/d) incl projecting parts and control	430 × 108 × 368 mm
Mass (approx)	4.6 kg
Supplied accessories	<ul style="list-style-type: none">• Audio connecting cord (2)• Remote commander (remote) (1)• Size AA (R6) batteries (2)

Design and specifications are subject to change without notice

COMPACT DISC RECORDER

9-929-582-12
2001D0900-1
© 2001. 4

Sony Corporation
Home Audio Company
Shinagawa Tec Service Manual Production Group

SONY®

Laser component in this product is capable of emitting radiation exceeding the limit for Class 1.

CLASS 1 LASER PRODUCT
LUOKAN 1 LASERLAITE
KLASS 1 LASERAPPARAT

This appliance is classified as a CLASS 1 LASER product. The CLASS 1 LASER PRODUCT MARKING is located on the rear exterior.

CAUTION : INVISIBLE LASER RADIATION WHEN OPEN AND INTERLOCKS DEFEATED. AVOID EXPOSURE TO BEAM.
ADVARSEL : USYNLIG LASERSTRÅLING VED ÅBNING NÅR SIKKERHEDSAFBRYDERE ER UDE AF FUNKTION. UNDGÅ UDSÆTTELSE FOR STRÅLING.
VORSICHT : UNSICHTBARE LASERSTRÄHLUNG, WENN ABDECKUNG GEÖFFNET UND SICHERHEITSVERRIEGELUNG ÜBERBRÜCKT, NICHT DEM STRAHL AUSSETZEN.
VARO! : AVATTAESSA JA SUOJALUKITUS OHITETTAESSA OLET ALTIINA NÄKYMÄTTÖMÄLLE LASERSÄTEILYLLE. ÄLÄ KATSO SÄTEESEEN.
VARNING : OSYNLIG LASERSTRÄLING NÄR DENNA DEL ÄR ÖPPNAD OCH SPÄRREN ÄR URKOPPLAD. BETRÄKTA EJ STRÄLEN.
ADVERSEL : USYNLIG LASERSTRÄLING NÄR DEKSEL ÄPNES OG SIKKERHEDSLÄS BRYTES. UNNGÅ EKSPONERING FOR STRÄLEN.
VIGYAZAT! : A BURKOLAT NYITÁSÁKOR LÁTHATATLAN LÉZERSUGÁRVESZÉLY! KERÜLJE A BESUGÁRZÁST!

This caution label is located inside the unit.

CAUTION

Use of controls or adjustments or performance of procedures other than those specified herein may result in hazardous radiation exposure.

Notes on chip component replacement

- Never reuse a disconnected chip component.
- Notice that the minus side of a tantalum capacitor may be damaged by heat.

Flexible Circuit Board Repairing

- Keep the temperature of soldering iron around 270°C during repairing.
- Do not touch the soldering iron on the same conductor of the circuit board (within 3 times).
- Be careful not to apply force on the conductor when soldering or unsoldering.

TABLE OF CONTENTS

1. GENERAL 3

2. DIAGRAMS

2-1. Circuit Board Location 4

2-2. Block Diagrams 5

2-3. Schematic Diagram – CDP Section – 8

2-4. Schematic Diagram – MAIN Section – 9

2-5. Schematic Diagram – PANEL Section – 10

2-6. Schematic Diagram – CD-R (1/2) Section – 11

2-7. Schematic Diagram – CD-R (2/2) Section – 12

2-8. Schematic Diagram – Power Section – 13

2-9. IC Pin Functions 14

SAFETY-RELATED COMPONENT WARNING !!

COMPONENTS IDENTIFIED BY MARK \triangle OR DOTTED LINE WITH MARK \triangle ON THE SCHEMATIC DIAGRAMS AND IN THE PARTS LIST ARE CRITICAL TO SAFE OPERATION. REPLACE THESE COMPONENTS WITH SONY PARTS WHOSE PART NUMBERS APPEAR AS SHOWN IN THIS MANUAL OR IN SUPPLEMENTS PUBLISHED BY SONY.

SAFETY CHECK-OUT

After correcting the original service problem, perform the following safety checks before releasing the set to the customer: Check the antenna terminals, metal trim, “metallized” knobs, screws, and all other exposed metal parts for AC leakage. Check leakage as described below.

LEAKAGE

The AC leakage from any exposed metal part to earth Ground and from all exposed metal parts to any exposed metal part having a return to chassis, must not exceed 0.5 mA (500 microamperes). Leakage current can be measured by any one of three methods.

1. A commercial leakage tester, such as the Simpson 229 or RCA WT-540A. Follow the manufacturers’ instructions to use these instruments.
2. A battery-operated AC milliammeter. The Data Precision 245 digital multimeter is suitable for this job.
3. Measuring the voltage drop across a resistor by means of a VOM or battery-operated AC voltmeter. The “limit” indication is 0.75 V, so analog meters must have an accurate low-voltage scale. The Simpson 250 and Sanwa SH-63Trd are examples of a passive VOM that is suitable. Nearly all battery operated digital multimeters that have a 2V AC range are suitable. (See Fig. A)

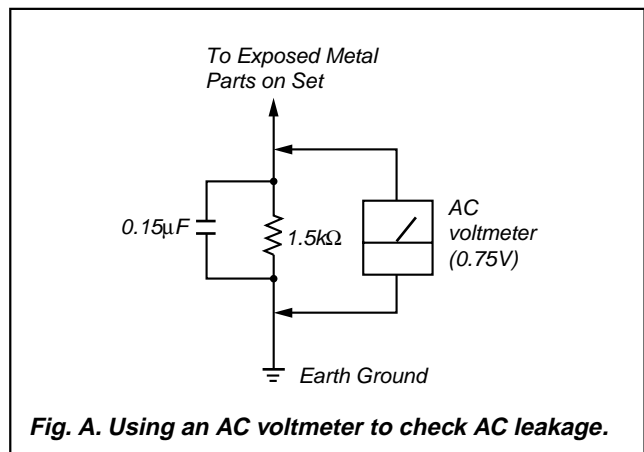


Fig. A. Using an AC voltmeter to check AC leakage.

3. EXPLODED VIEWS

3-1. Front Panel Section 19

3-2. Chassis Section 20

3-3. CD Play Section 21

3-4. CD Record Section 22

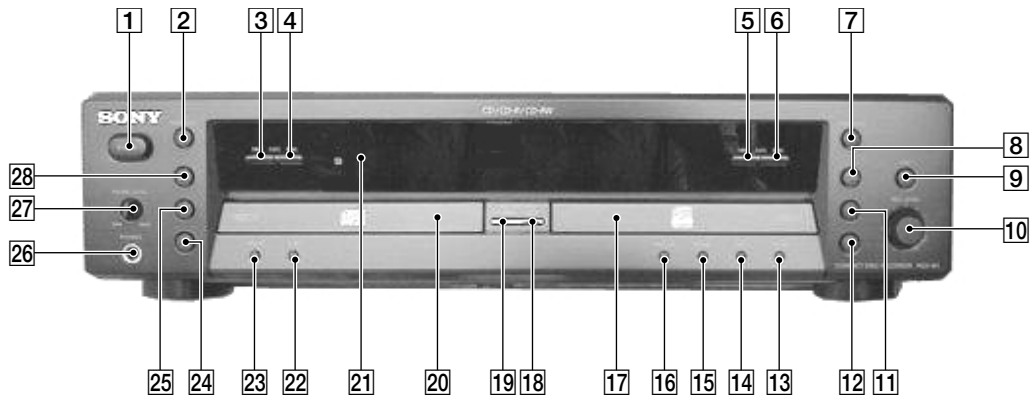
4. ELECTRICAL PARTS LIST 23

ATTENTION AU COMPOSANT AYANT RAPPORT À LA SÉCURITÉ!

LES COMPOSANTS IDENTIFÉS PAR UNE MARQUE \triangle SUR LES DIAGRAMMES SCHÉMATIQUES ET LA LISTE DES PIÈCES SONT CRITIQUES POUR LA SÉCURITÉ DE FONCTIONNEMENT. NE REMPLACER CES COMPOSANTS QUE PAR DES PIÈCES SONY DONT LES NUMÉROS SONT DONNÉS DANS CE MANUEL OU DANS LES SUPPLÉMENTS PUBLIÉS PAR SONY.

SECTION 1 GENERAL

FRONT PANEL

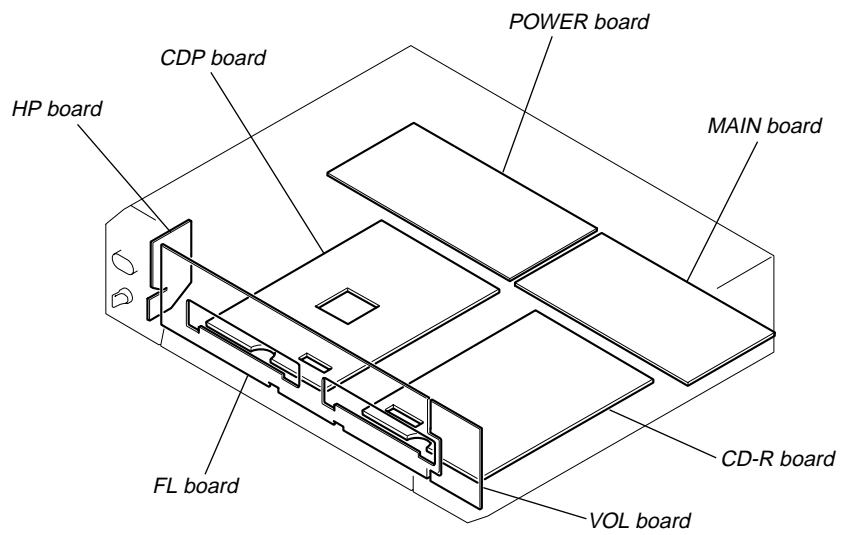


LOCATION OF PARTS AND CONTROLS

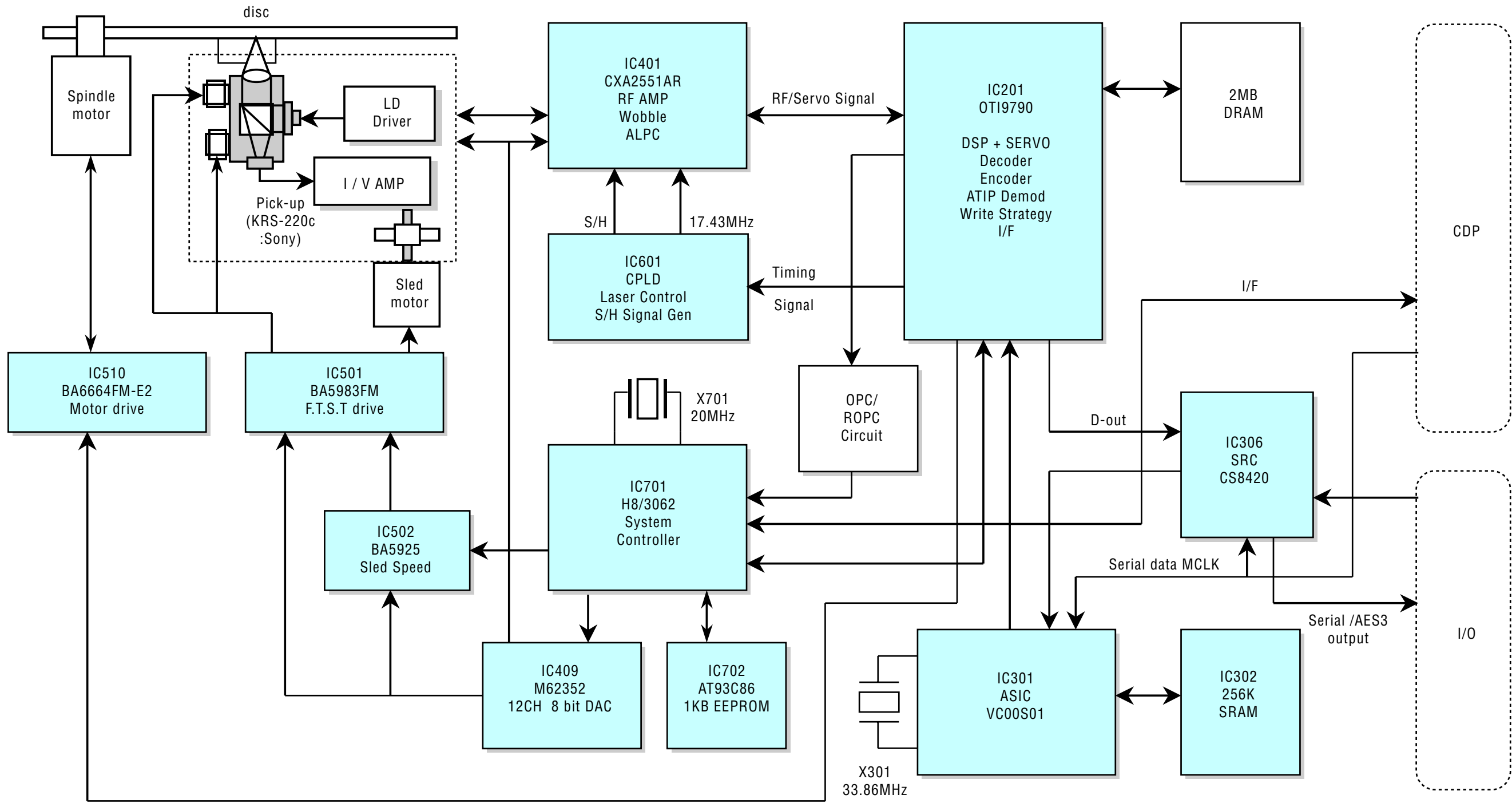
- | | |
|---|--|
| 1 Power button | 15 ERASE button (DECK B) |
| 2 OPEN/CLOSE \cong button (DECK A) | 16 FINALIZE button (DECK B) |
| 3 \lll AMS button (DECK A) | 17 DISC tray (DECK B) |
| 4 \ggg AMS button (DECK A) | 18 CD SYNCHRO HIGH button |
| 5 \lll AMS button (DECK B) | 19 CD SYNCHRO NORMAL button |
| 6 \ggg AMS button (DECK B) | 20 DISC tray (DECK A) |
| 7 OPEN/CLOSE \cong button (DECK B) | 21 \square remote sensor |
| 8 \triangleright button (DECK B) | 22 TIME button (DECK A) |
| 9 \bullet REC button | 23 RELAY button (DECK A) |
| 10 REC LEVEL knob (DECK B) | 24 \blacksquare button (DECK A) |
| 11 \parallel button (DECK B) | 25 \parallel button (DECK A) |
| 12 \blacksquare button (DECK B) | 26 PHONE jack |
| 13 INPUT button (DECK B) | 27 PHONE LEVEL knob |
| 14 TIME button (DECK B) | 28 \triangleright button (DECK A) |

SECTION 2 DIAGRAMS

2-1. CIRCUIT BOARDS LOCATION

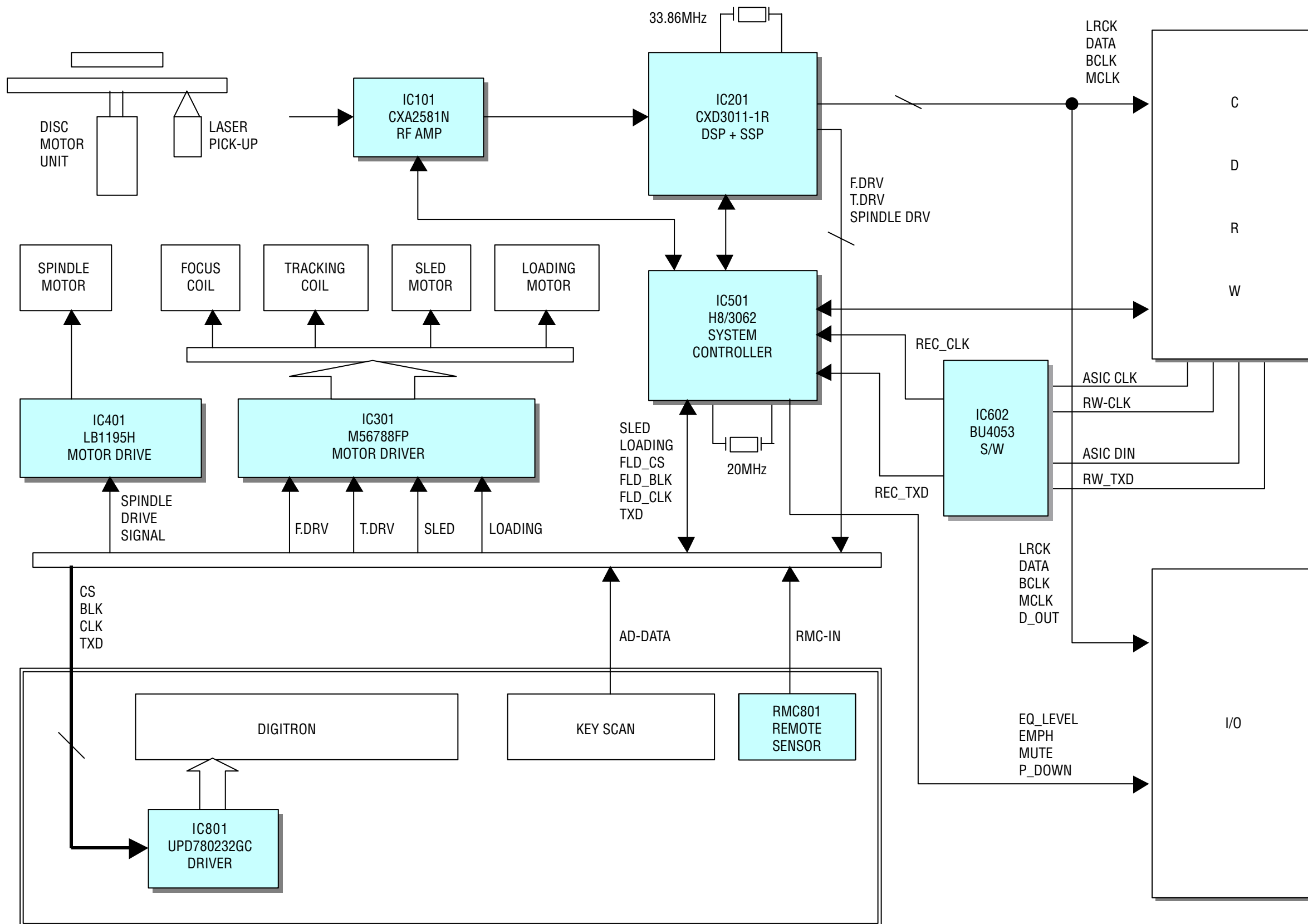


2-2. BLOCK DIAGRAMS
- CD RECORD SECTION -

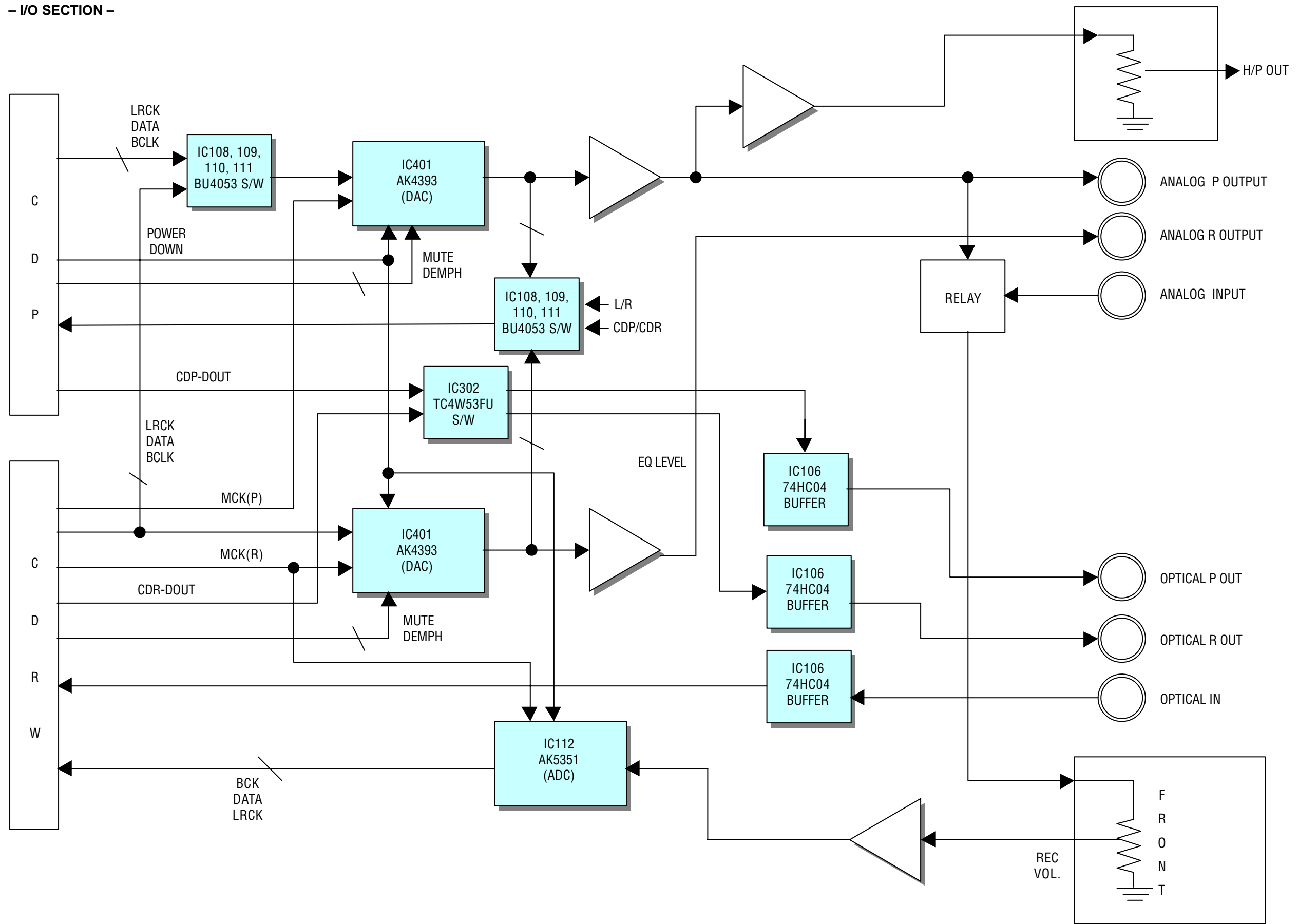


RCD-W1

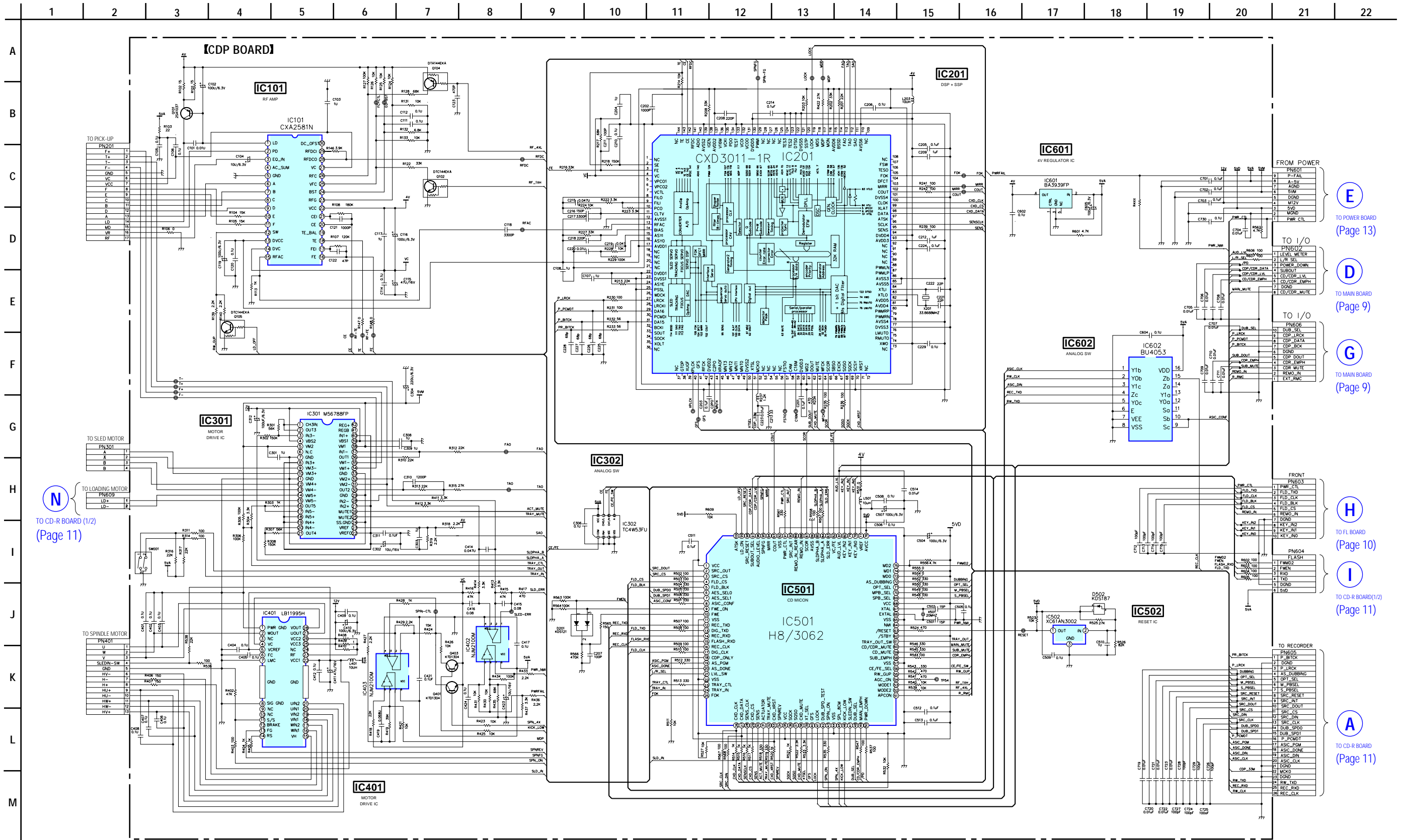
- CD PLAY SECTION -



- I/O SECTION -



2-3. SCHEMATIC DIAGRAM – CDP SECTION – • See page 14 for IC Pin Functions.



E
TO POWER BOARD
(Page 13)

D
TO MAIN BOARD
(Page 9)

G
TO MAIN BOARD
(Page 9)

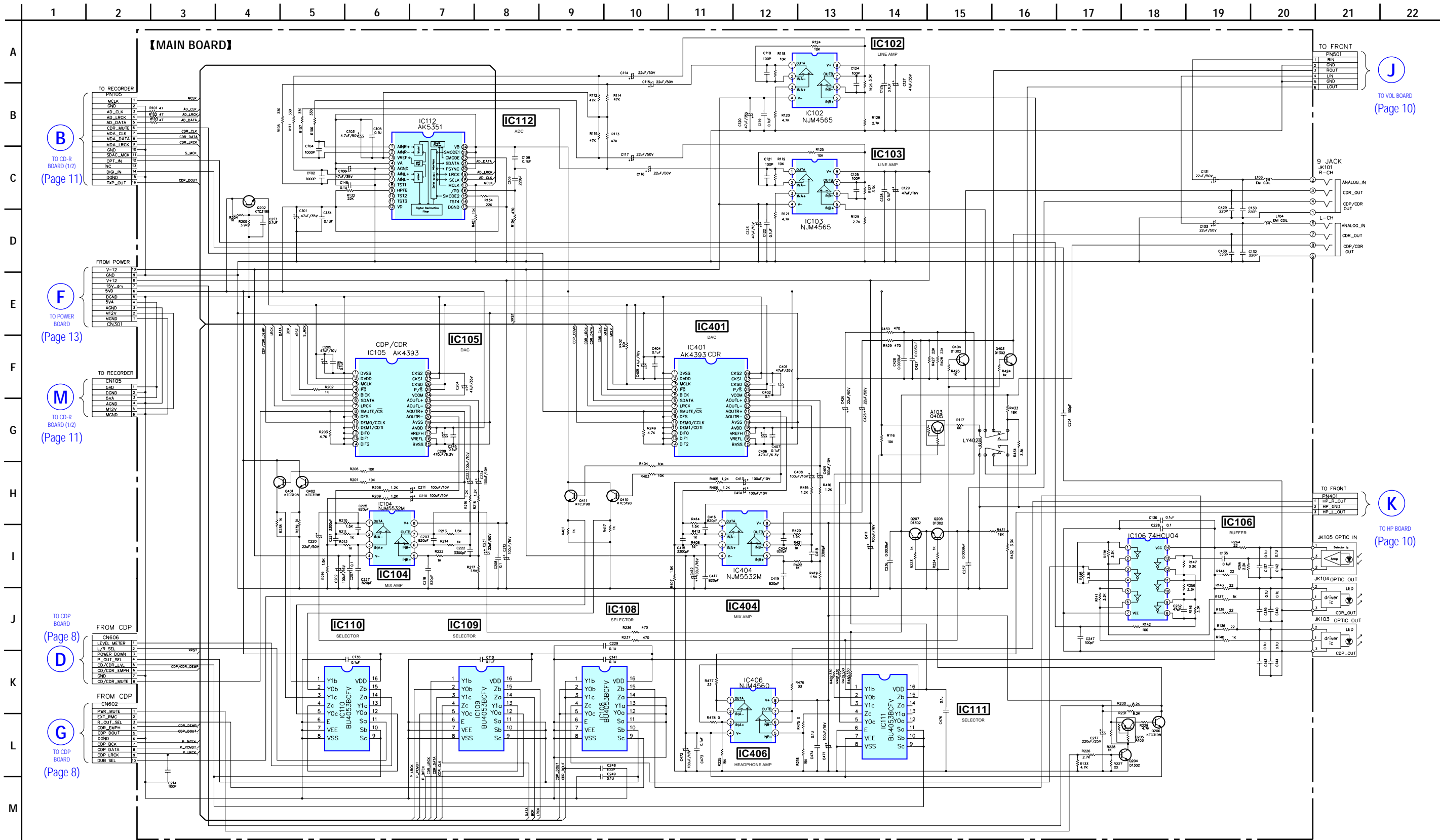
H
TO FL BOARD
(Page 10)

I
TO CD-R BOARD(1/2)
(Page 11)

A
TO CD-R BOARD
(Page 11)

N
TO CD-R BOARD (1/2)
(Page 11)

2-4. SCHEMATIC DIAGRAM – MAIN SECTION –



B TO CD-R BOARD (1/2) (Page 11)

F TO POWER BOARD (Page 13)

M TO CD-R BOARD (1/2) (Page 11)

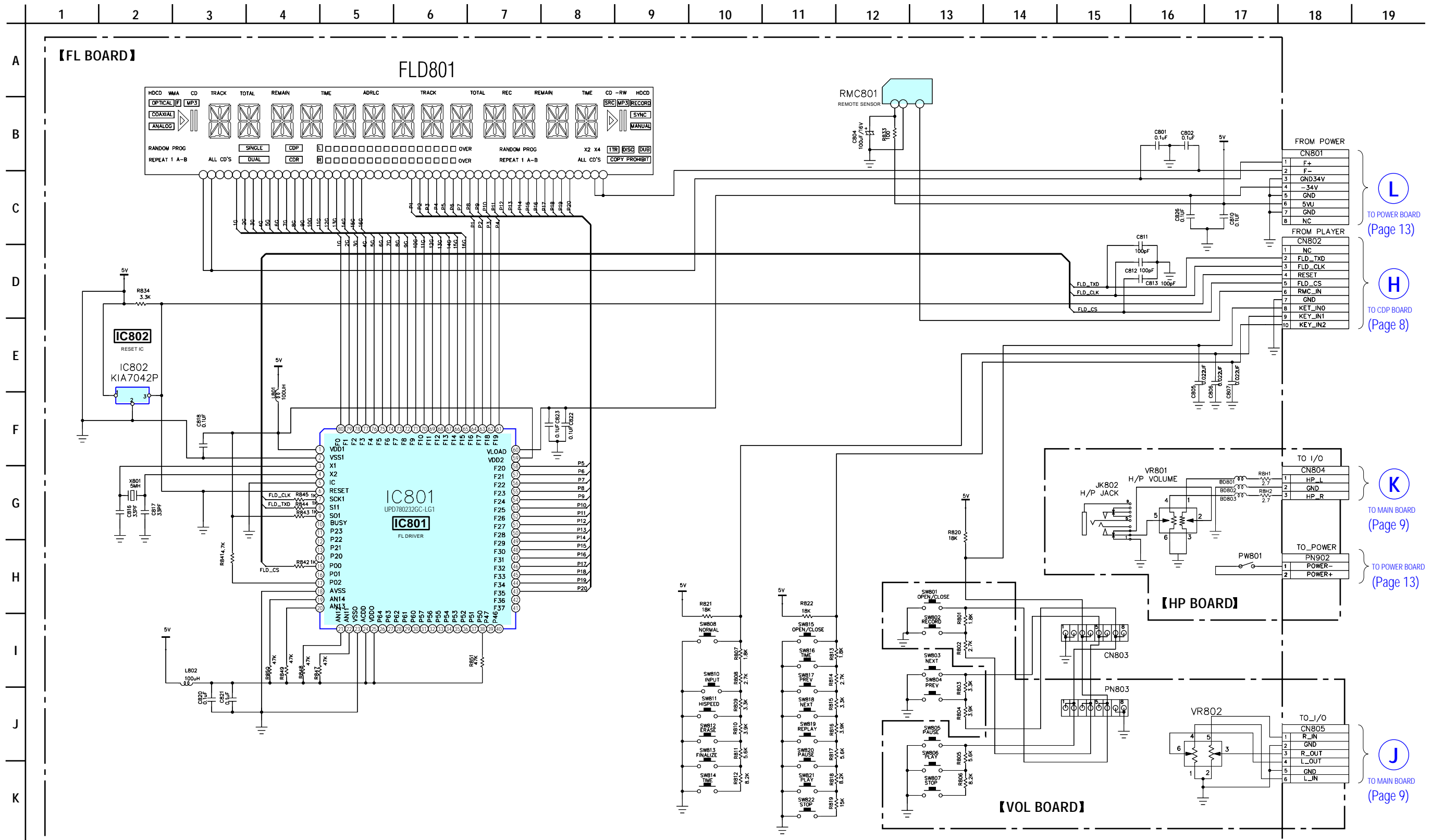
D TO CDP BOARD (Page 8)

G TO CDP BOARD (Page 8)

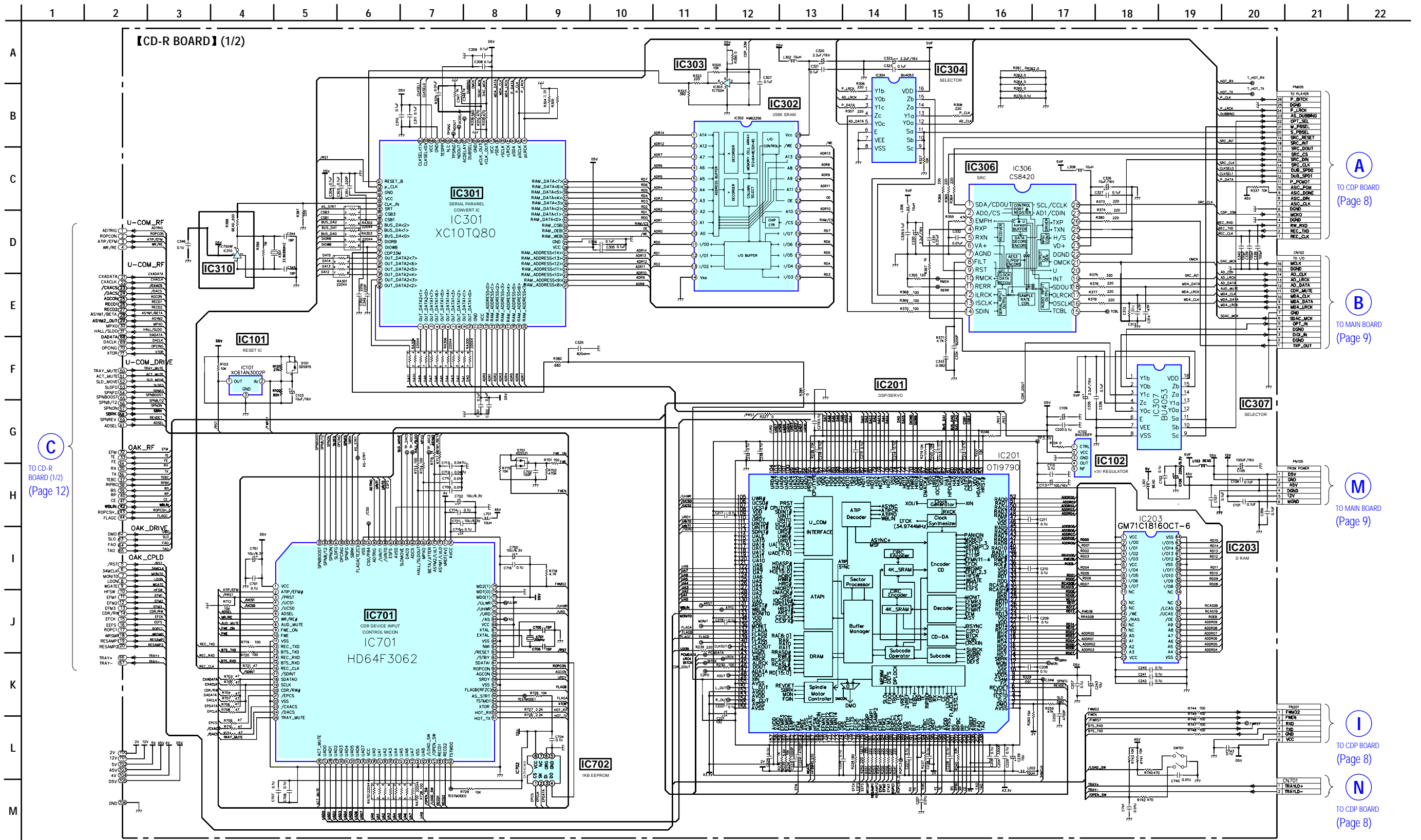
J TO VOL BOARD (Page 10)

K TO HP BOARD (Page 10)

2-5. SCHEMATIC DIAGRAM – PANEL SECTION – • See page 15 for IC Pin Functions.



2-6. SCHEMATIC DIAGRAM – CD-R (1/2) SECTION –



A TO CDP BOARD (Page 8)

B TO MAIN BOARD (Page 9)

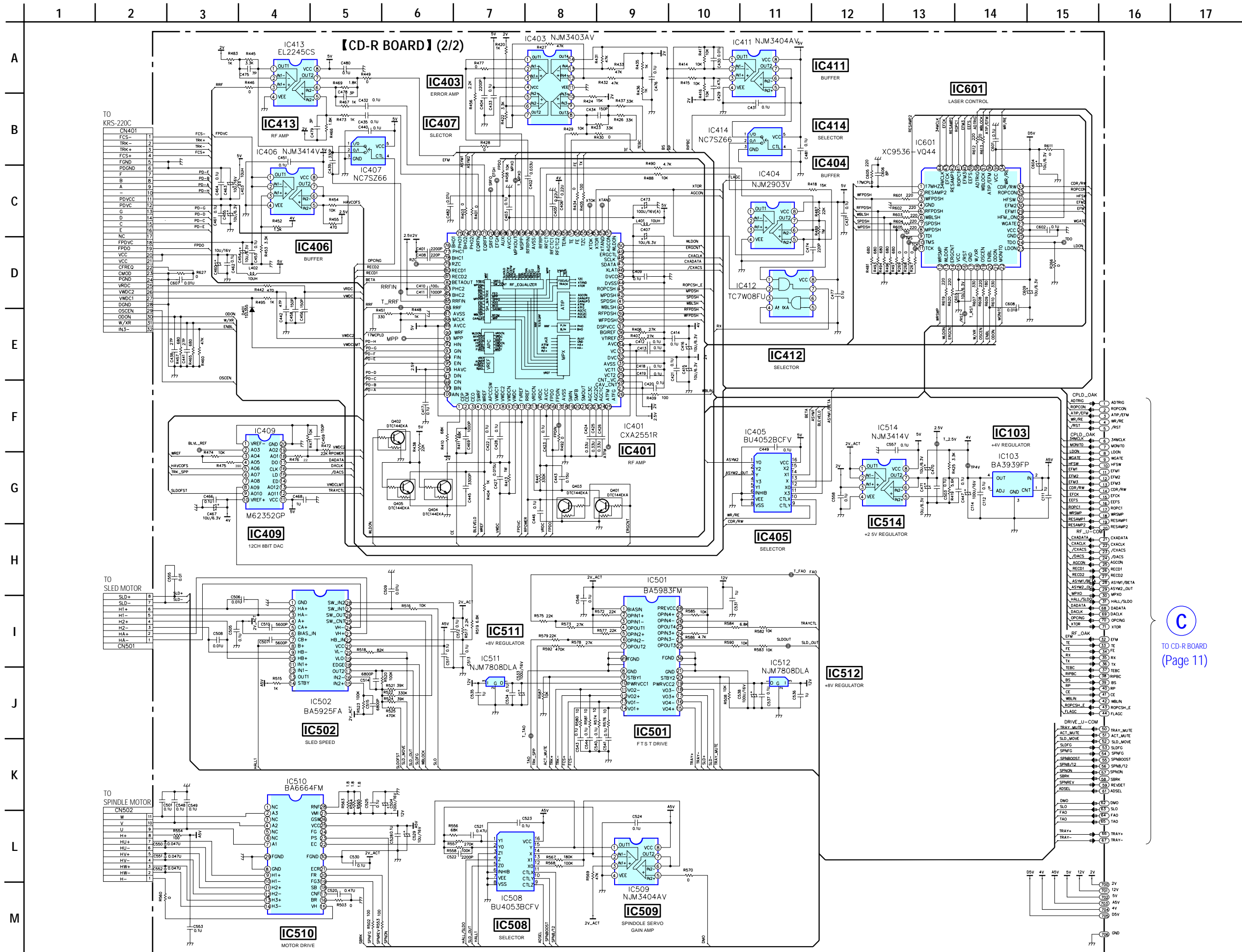
C TO CD-R BOARD (1/2) (Page 12)

M TO MAIN BOARD (Page 9)

I TO CDP BOARD (Page 8)

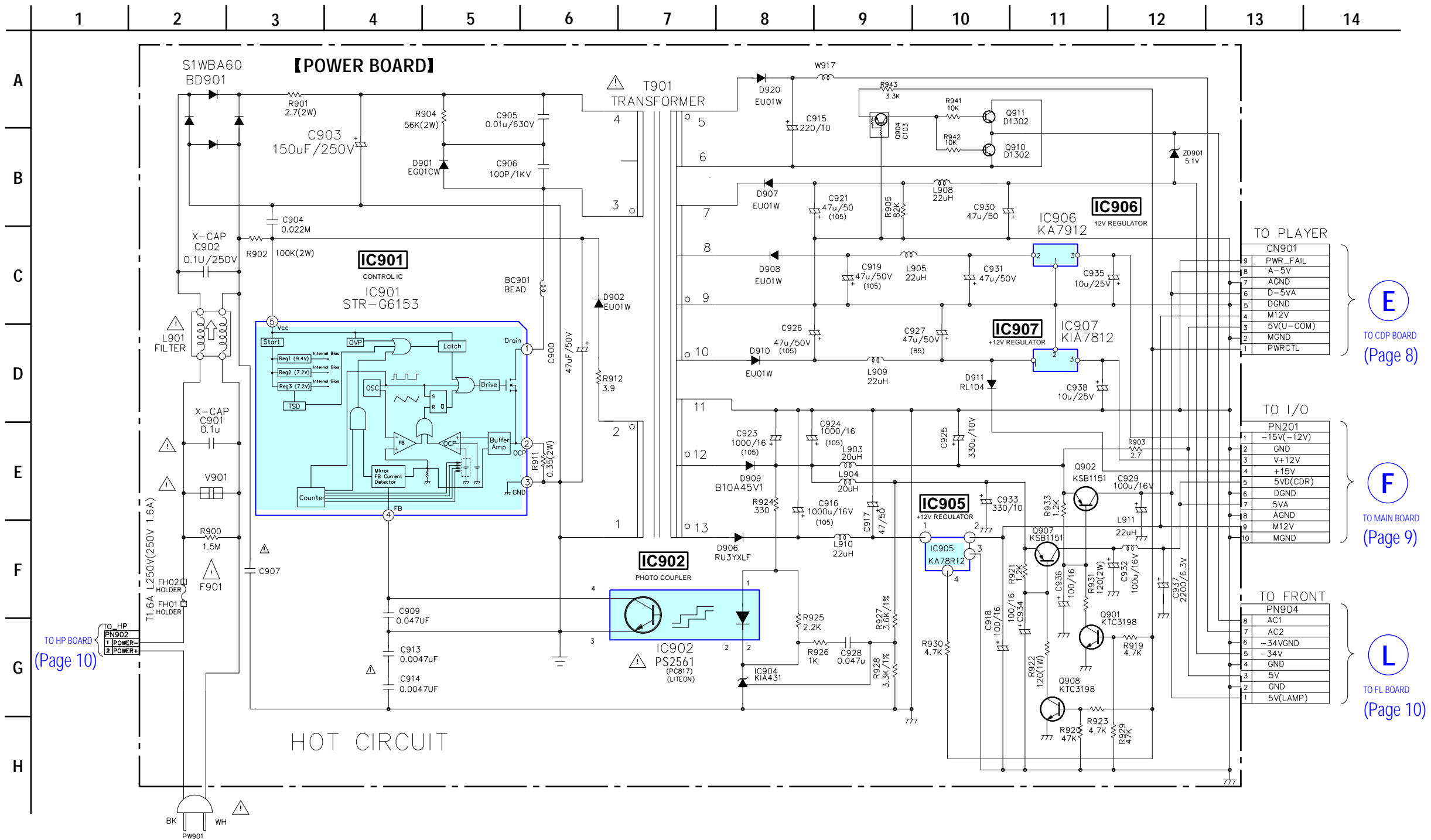
N TO CDP BOARD (Page 8)

2-7. SCHEMATIC DIAGRAM – CD-R (2/2) SECTION –



C
TO CD-R BOARD
(Page 11)

2-8. SCHEMATIC DIAGRAM – POWER SECTION –



2-9. IC PIN FUNCTIONS

• IC501 HD64F3062AFBL-CD (H8/3062 CD MICON) (CDP Board)

Pin No.	Pin Name	I/O	Function
1	VCC	I	+5V
2	CS7/TMO0/TP8/PB0	I	Data From CS8420
3	CS6/TMIO1/TP9/PB1	O	CS8420 Chip Select
4	CS5/TMO2/TP10/PB2	O	Fld Chip Select
5	CS4/TMIO3/TP11/PB3	O	Fld Dimmer Control
6	TP12/PB4	O	Mode Sel0 for ASIC
7	TP13/PB5	O	Mode Sel1 for ASIC
8	TP14/PB6	O	ASIC Config Complete
9	TP15/PB7	I	Fresh Memory Write Enable Check
10	RESO/FWE	I	Flash Write Enable
11	VSS	I	0V
12	TxD0/P90	O	Serial Communication With CDRW Data out/ASIC Config
13	TxD1/P91	O	FLD Data Out/Flash Write
14	RxD0/P92	I	Serial Commnication With CDRW Data In/ASIC Config
15	RxD1/P93	I	Receive Data from FLD/Flash Read
16	IRQ4/SCK0/P94	O	Serial Communication With CDRW CLK out/ASIC Config
17	IRQ5/SCK1/P95	O	FLD CLK Out
18	D0/P40	I	option port 0
19	D1/P41	O	ASIC Program Signal
20	D2/P42	I	ASIC Done Signal
21	D3/P43	O	Level Meter Left Or Output
22	VSS	I	0V
23	D4/P44	O	Tray Control Output
24	D5/P45	I	Tray IN SW
25	D6/P46	I	FOK Singnal Input From CXD3011
26	D7/P47	O	Serial Clock for CXD3011 Command Transfer
27	D8/P30	O	Serial Data Line for CXD3011 Command Transfer
28	D9/P31	O	Sens Data Read Clock
29	D10/P32	O	Chip Select For CXD3011 (Latch)
30	D11/P33	I	Sens Data In
31	D12/P34	O	Actuator Mute
32	D13/P35	O	Tray Mute
33	D14/P36	O	CXD3011 Reset
34	D15/P37	I	Not Used
35	VCC	I	+5V
36	A0/P10	O	Sub Q Read Clk
37	A1/P11	I	Sub Q Read
38	A2/P12	O	CXD3011 Mute Signal
39	A3/P13	O	XTSEL Singnal For CXD3011 (Crystal Selection for CXD3011)
40	A4/P14	I	Not Used
41	A5/P15	I	Spindle Lock Signal from CXD3011
42	A6/P16	I	option port 1
43	A7/P17	O	Spindle On Switch for Spindle Driver IC
44	VSS	I	0V
45	A8/P20	O	Spindle 8Cm/12Cm Boost Control
46	A9/P21	O	Spindle Speed Boost Control
47	A10/P22	I	Sled In SW (Limit SW)
48	A11/P23	O	Dubbing Select
49	A12/P24	O	MDAC_CS ⇔ Main Emph
50	A13/P25	O	Jack/Digtron Reset

Pin No.	Pin Name	I/O	Function
51	A14/P26	I	POWER DOWN MIRROR
52	A15/P27	O	PreAmp Control2
53	A16/P50	O	PreAmp Control1
54	A17/P51	O	PreAmp AGC On Control
55	A18/P52	O	PreAmp ROM/RW Switch
56	A19/P53	O	CE/FE Switching
57	VSS	I	0V
58	WAIT/P60	O	SDAC_CS ⇔ Sub Emph
59	BREQ/P61	O	Main Out Select
60	BACK/P62	O	Main Audio Mute
61	0/P67	I	TRAY OUT SW INPUT
62	STBY	I	+5V
63	RES	I	Reset
64	NMI	I	Non Maskable Interrupt
65	VSS	I	0V
66	EXTAL	I	20MHz(-)
67	XTAL	I	20MHz(+)
68	VCC	I	+5V
69	AS/P63	O	Signal Switch SW4053
70	RD/P64	O	Signal Switch SW4053
71	HWR/P65	O	OPT SELECT Signal Switch
72	LWR/P66	O	SMCK Select
73	MD0	I	Micom Mode Selector Switcher MODE7 "H"
74	MD1	I	Micom Mode Selector Switcher MODE7 "H"
75	MD2	I	Micom Mode Selector Switcher MODE7 "H"
76	AVCC	I	+5V
77	VREF	I	+4V
78	AN0/P70	I	Front Key Input 0
79	AN1/P71	I	Front Key Input 1
80	AN2/P72	I	Front Key Input 2
81	AN3/P73	I	Audio Level Measurement For Level Meter
82	AN4/P74	I	VC 2Volt / FE Measurement
83	AN5/P75	I	led Error Measurement For Sled Control
84	DA0/AN6/P76	O	DAC output For Sled Control A
85	DA1/AN7/P77	O	DAC output For Sled Control B
86	AVSS	I	0V
87	IRQ0/P80	I	Sub Code Read
88	IRQ1/CS3/P81	I	Remocon Data Receive
89	IRQ2/CS2/P82	I	Not Used
90	ADTRG/IRQ3/CS1/P83	I	CS8420 Interrupt
91	CS0/P84	O	Power Control Port
92	VSS	I	0V
93	TCLKA/TP0/PA0	I	COUT Signal From CXD3011
94	TCLKB/TP1/PA1	I	Not Used
95	TCLKC/TIOCA0/TP2/PA2	I	Spindle FG Signal
96	TCLKD/TIOCB0/TP3/PA3	O	Cd/Cdr Level Meter Select
97	A23/TIOCA1/TP4/PA4	O	Sub Out Select
98	A22/TIOCB1/TP5/PA5	O	Src reset port
99	A21/TIOCA2/TP6/PA6	O	Laser on "L"
100	A20/TIOCB2/TP7/PA7	I	option port 2

• IC801 FL DRIVER (uPD780232GC-LG1) (FL Board)

Pin No.	Pin Name	I/O	Function
1	VDD1		Positive power supply
2	VSS1		Ground potential except for ports and analog
3	X1	I	Crystal connection for main system clock oscillation
4	X2		Crystal connection for main system clock oscillation
5	IC		Internally connected. Connect directly to Vss1
6	RESET	I	System reset input
7	P27/SCK1	I	Serial interface serial clock I/O
8	P26/SI1	I	Serial interface serial data input
9	P25/SO1	O	Serial interface serial data output
10	P24/BUSY		NC
11	P23		NC
12	P22		NC
13	P21/S03		NC
14	P20/SCK3		NC
15	P00/INT0	I	Valid edge can be specified. External interrupt request input.
16	P01/INT1		NC
17	P02/TI		Independently connect to Vss0 via a resistor.
18	AVSS		Connect to Vss1
19	ANI3	I	Independently connect to Vss0 via a resistor.
20	ANI2	I	Independently connect to Vss0 via a resistor.
21	ANI1	I	Independently connect to Vss0 via a resistor.
22	ANI0	I	Independently connect to Vss0 via a resistor.
23	VSS0		GND
24	AVDD		Connect to Vdd1
25	VDD0		Positive power supply for ports
26	P64/F52		NC
27	P63/F51		NC
28	P62/F50		NC
29	P61/F49		NC
30	P60/F48		NC
31	P57/F47		NC
32	P56/F46		NC
33	P55/F45		NC
34	P54/F44		NC
35	P53/F43		NC
36	P52/F42		NC
37	P51/F41		NC
38	P50/F40		Connect to Vdd0
39	P47/F39		NC
40	P46/F38		NC
41	F37/P45		NC
42	F36/P44		NC
43	F35/P43	O	
44	F34/P42	O	
45	F33/P41	O	
46	F32/P40	O	
47	F31/P37	O	
48	F30/P36	O	
49	F29/P35	O	
50	F28/P34	O	

Pin No.	Pin Name	I/O	Function
51	F27/P33	O	
52	F26/P32	O	
53	F25/P31	O	
54	F24/P30	O	
55	F23	O	
56	F22	O	
57	F21	O	
58	F20	O	
59	VDD2		Positive power supply for FIP controller/driver
60	VLOAD		FIP controller/driver pull-down resistor connection
61	F19	O	
62	F18	O	
63	F17	O	
64	F16	O	
65	F15	O	
66	F14	O	
67	F13	O	
68	F12	O	
69	F11	O	
70	F10	O	
71	F9	O	
72	F8	O	
73	F7	O	
74	F6	O	
75	F5	O	
76	F4	O	
77	F3	O	
78	F2	O	
79	F1	O	
80	F0	O	

• IC701 HD64F3062 (H8/3062 SYSTEM CONTROLLER) (MAIN Board)

Pin No.	Pin Name	I/O	Function
1	VCC	X	
2	CS7/TMO0/TP8/PB0	O	ATIP/EFM
3	CS6/TMIO1/TP9/PB1	O	OAK Reset Signal
4	CS5/TMO2/TP10/PB2	O	OAK Chip Select 1
5	CS4/TMIO3/TP11/PB3	O	OAK Chip Select 2
6	TP12/PB4	O	Hall or Sled Out AD Signal Selector
7	TP13/PB5	O	Read or Write (CPLD)
8	TP14/PB6	O	Audio Mute
9	TP15/PB7	X	Related to Flash
10	RESO/FEW	X	Related to Flash
11	VSS	X	
12	TxD0/P90	O	Serial communication transmit to Player
13	TxD1/P91	O	Serial Interface Transmitter (To PC)
14	RxD0/P92	I	Serial communication receive from Player
15	RxD1/P93	I	Serial Interface Receiver (From PC)
16	IRQ4/SCK0/P94	O	Serial communication Clock to Player
17	IRQ5/SCK1/P95	I	Servo Interrupt
18	D0/P40	O	Serial Data Output Clock for RF IC and DAC and EEPROM
19	D1/P41	O	Serial Clock for RF IC and DAC and EEPROM
20	D2/P42	O	CDR or RW used in CPLD
21	D3/P43	O	EPROM Chip Selector
22	VSS	X	
23	D4/P44	O	CXA2551R Chip Selector (RF IC)
24	D5/P45	O	DAC Chip Selector
25	D6/P46	O	Tray Mute Signal
26	D7/P47	O	Actuator Mute Signal
27	D8/P30	I/O	Data BUS
28	D9/P31	I/O	Data BUS
29	D10/P32	I/O	Data BUS
30	D11/P33	I/O	Data BUS
31	D12/P34	I/O	Data BUS
32	D13/P35	I/O	Data BUS
33	D14/P36	I/O	Data BUS
34	D15/P37	I/O	Data BUS
35	VCC	X	
36	A0/P10	O	Address BUS
37	A1/P11	O	Address BUS
38	A2/P12	O	Address BUS
39	A3/P13	O	Address BUS
40	A4/P14	O	Address BUS
41	A5/P15	O	Address BUS
42	A6/P16	O	Address BUS
43	A7/P17	O	Address BUS
44	VSS	X	
45	A8/P20	I	Address BUS
46	A9/P21	I	OPEN Switch Input
47	A10/P22	I	LOAD Switch Input
48	A11/P23	I	RECD1 Signal Input from PreAmp (Prepit Check)
49	A12/P24	I	RECD2 Signal Input from PreAmp (Prepit Check)
50	A13/P25	X	

Pin No.	Pin Name	I/O	Function
51	A14/P26	I	PLAY Key Input
52	A15/P27	I	EJECT Key Input
53	A16/P50	I	XTOR Signal Input from RF IC (Tracking OK ?)
54	A17/P51	O	Servo Monitor Flag : Tracking Error Zero Cross
55	A18/P52	I	Test Mode 1 Option Switch
56	A19/P53	I	Servo Monitor Flag : RF Zero Cross
57	VSS	X	
58	WAIT/P60	I	OAK Data Ready
59	BREQ/P61	O	AGC ON
60	BACK/P62	O	ROPC Related CPLD Signal
61	0/P67	I	Serial Read Data Line from EEPROM
62	STBY	X	
63	RESO/FEW	X	Reset
64	NMI	X	Non Maskable Interrupt
65	VSS	X	
66	EXTAL	X	Crystal Interface
67	XTAL	X	Crystal Interface
68	VCC	X	
69	AS/P63	X	
70	RD/P64	O	Read Enable for OAK
71	HWR/P65	O	Write Enable for OAK
72	LWR/P66	X	
73	MD0	X	Mode0
74	MD1	X	Mode1
75	MD2	X	Mode2
76	AVCC	X	
77	VREF	X	
78	AN0/P70	I	AD Signal for OPC
79	AN1/P71	I	AD Signal for OPC
80	AN2/P72	I	AD Signal for OPC
81	AN3/P73	I	PreAmp Multiplexed Output
82	AN4/P74	I	AD Signal for Sled Control
83	AN5/P75	I	AD Signal for Auto Adjust (Reserved)
84	DA0/AN6/P76	O	Track Jump Value (???) (Reserved)
85	DA1/AN7/P77	O	Sled Kick Level
86	AVSS	X	
87	IRQ0/P80	I	Encoding SubFrame Sync Interrrupt of OAK
88	IRQ1/CS3/P81	I	Interrupt Signal of OAK
89	IRQ2/CS2/P82	I	Interrupt Signal of OAK
90	ADTRG/IRQ3/CS1/P83	I	ADTRIG Signal for OPC
91	CS0/P84	X	
92	VSS	X	
93	TCLKA/TP0/PA0	I	ASIC_START
94	TCLKB/TP1/PA1	O	Short Brake for Spindle Control
95	TCLKC/TIOCA0/TP2/PA2	I	Spindle FG Signal Input
96	TCLKD/TIOCB0/TP3/PA3	O	Swich Control
97	A23/TIOCA1/TP4/PA4	I	Sled FG Signal Input
98	A22/TIOCB1/TP5/PA5	O	Spindle ON
99	A21/TIOCA2/TP6/PA6	O	Spindle Reverse Detect
100	A20/TIOCB2/TP7/PA7	O	Spindle Filter Setting Switch

SECTION 3 EXPLODED VIEWS

NOTE:

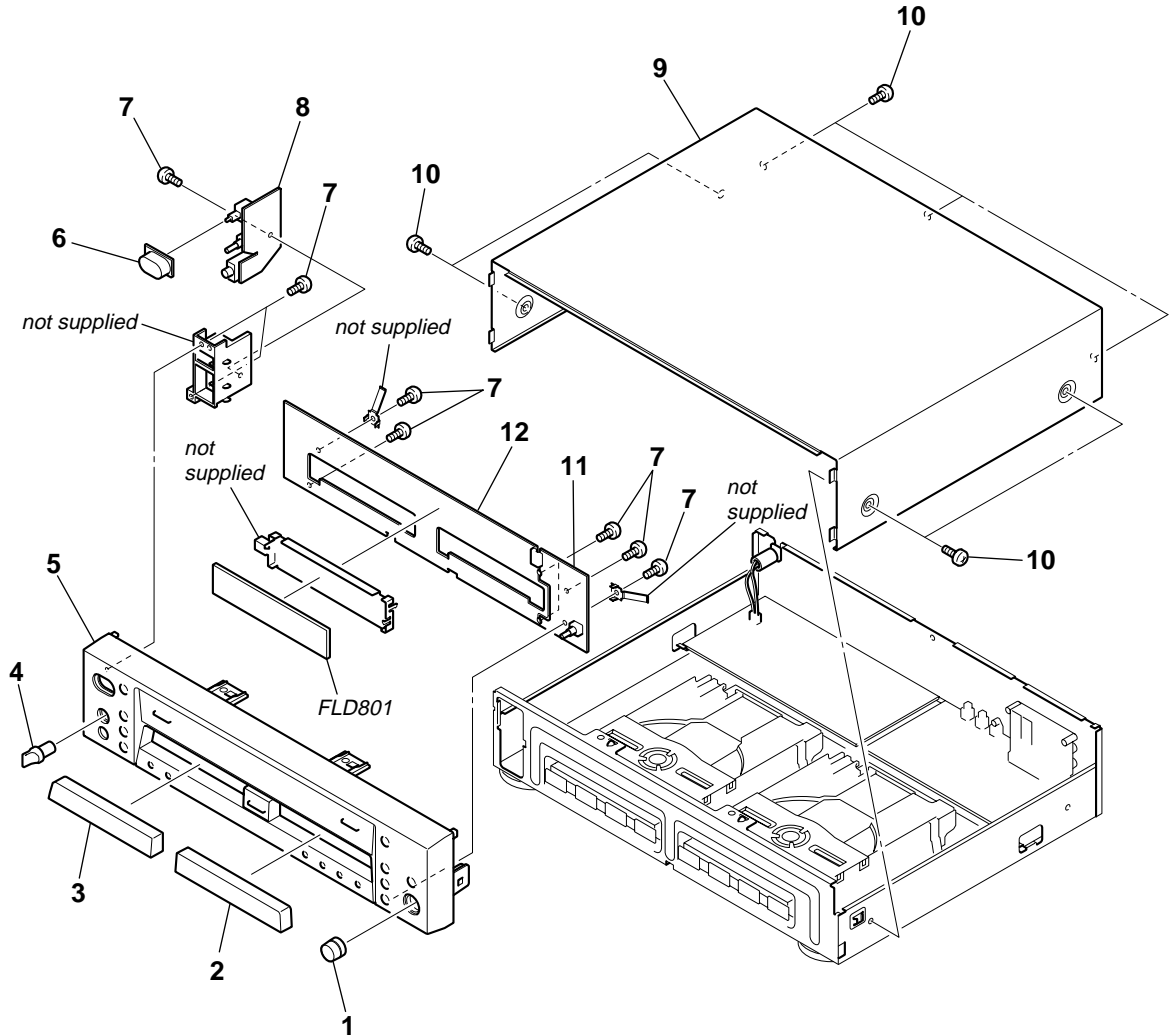
- -XX, -X mean standardized parts, so they may have some differences from the original one.
- Items marked “*” are not stocked since they are seldom required for routine service. Some delay should be anticipated when ordering these items.
- The mechanical parts with no reference number in the exploded views are not supplied.
- Hardware (# mark) list and accessories and packing materials are given in the last of this parts list.
- Abbreviation
CND : Canadian model

When indicating parts by reference number, please include the board name.

The components identified by mark Δ or dotted line with mark Δ are critical for safety. Replace only with part number specified.

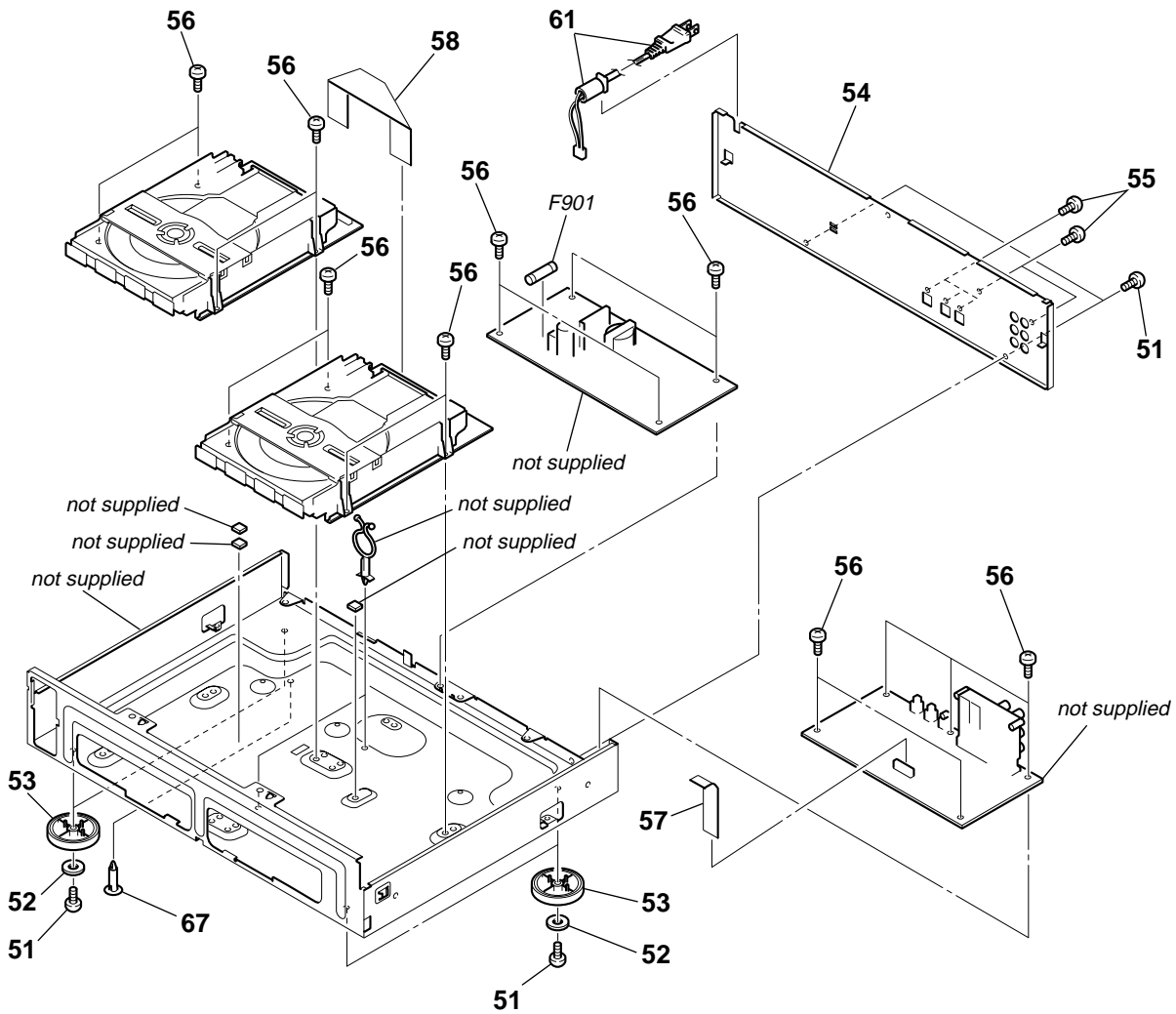
Les composants identifiés par une marque Δ sont critiques pour la sécurité. Ne les remplacer que par une pièce portant le numéro spécifié.

3-1. FRONT PANEL SECTION



Ref. No.	Part No.	Description	Remarks	Ref. No.	Part No.	Description	Remarks
1	4-235-379-01	KNOB, REC VOL		8	A-4726-177-A	HP MOUNT	
2	4-235-360-01	DOOR, TRAY (REC)		9	4-235-363-01	CASE, TOP	
3	4-235-359-01	DOOR, TRAY (PLAY)		10	4-235-383-01	SCREW (CASE)	
4	4-235-378-01	KNOB, P/VOLUME		11	A-4726-178-A	VOL MOUNT	
5	4-235-449-01	PANEL ASSY, FRONT		12	A-4726-179-A	FL MOUNT	
6	4-235-380-01	KNOB, POWER		FLD801	1-518-766-11	INDICATOR TUBE, FLUORESCENT	
7	4-235-377-01	SCREW, SPECIAL					

3-2. CHASSIS SECTION

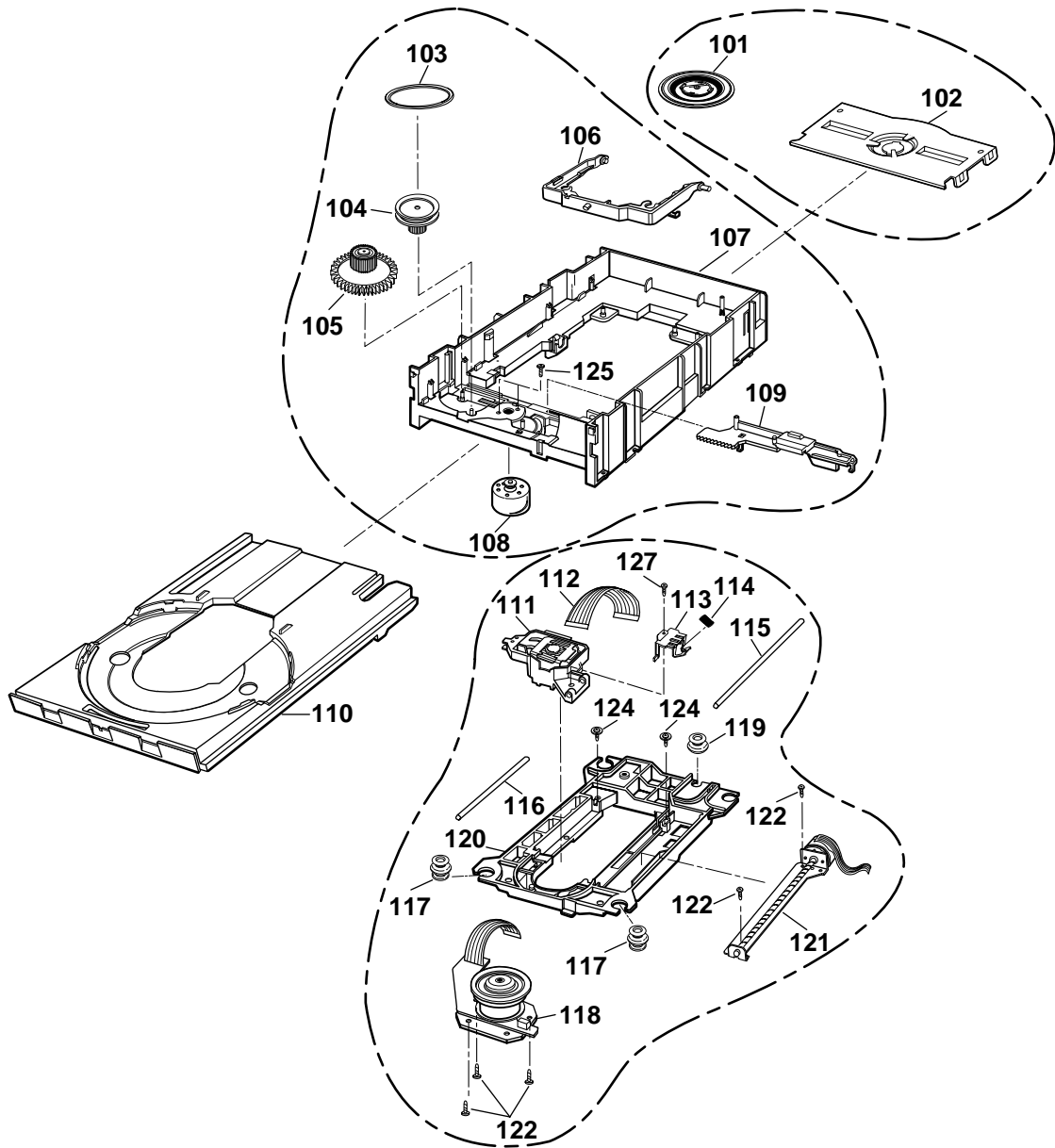


The components identified by mark \triangle or dotted line with mark \triangle are critical for safety. Replace only with part number specified.

Les composants identifiés par une marque \triangle sont critiques pour la sécurité. Ne les remplacer que par une pièce portant le numéro spécifié.

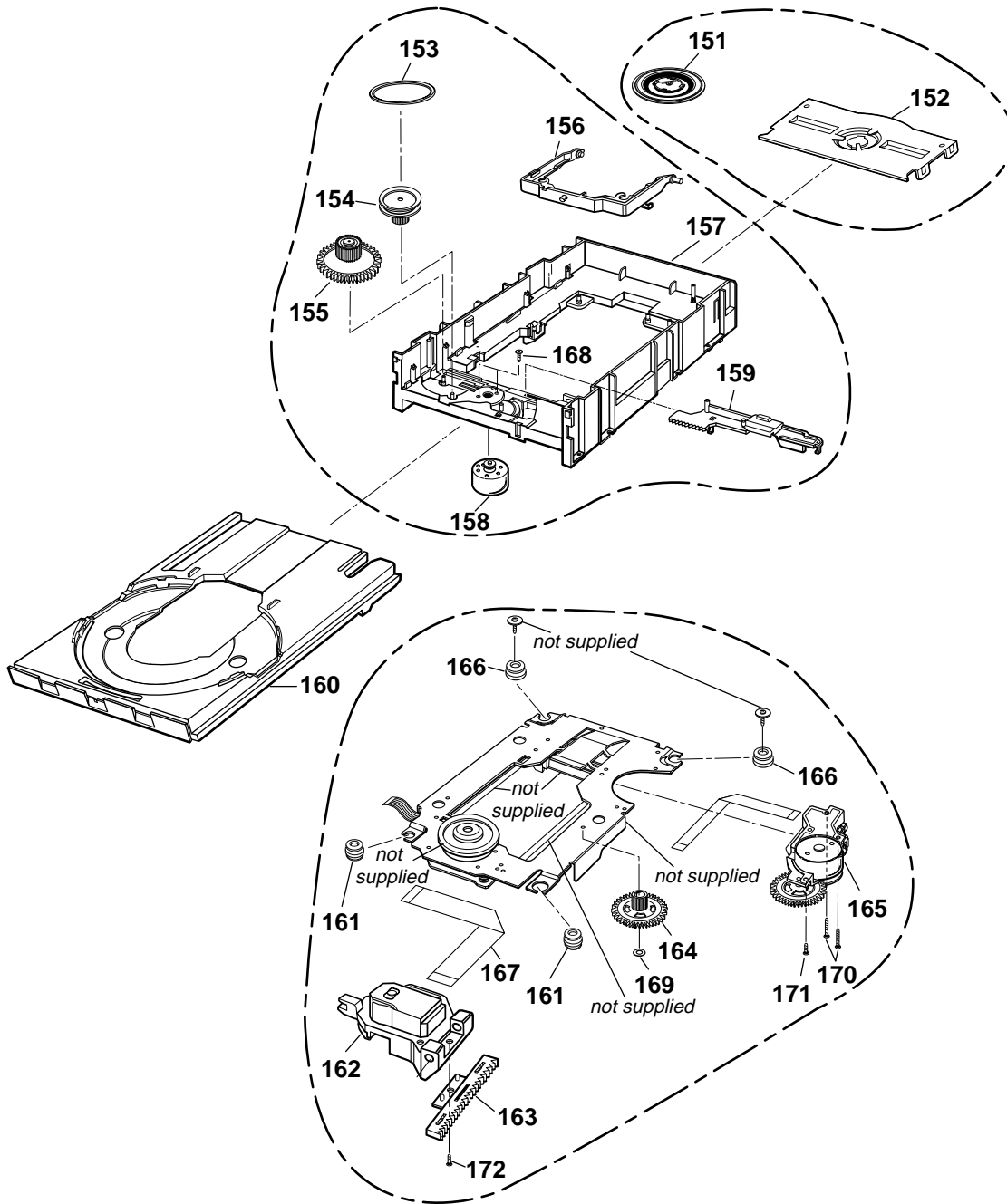
Ref. No.	Part No.	Description	Remarks	Ref. No.	Part No.	Description	Remarks
51	4-235-403-01	SCREW, SPECIAL (3X8 BK)		57	1-823-105-11	WIRE (FLAT TYPE)(16 CORE)	
52	4-235-400-01	RUBBER, FOOT		58	1-823-104-11	WIRE (FLAT TYPE)(26 CORE)	
53	4-235-402-01	HOLDER, FOOT		\triangle 61	1-823-044-11	CORD, POWER	
54	4-235-401-01	PANEL, BACK		\triangle F901	1-576-533-11	FUSE	
55	4-235-362-01	SCREW SPECIAL (3X10)					
56	4-235-364-01	SCREW, SPECIAL					

3-3. CD PLAY SECTION



Ref. No.	Part No.	Description	Remarks	Ref. No.	Part No.	Description	Remarks
101	4-235-453-01	CLAMP ASSY, DISC		114	4-235-413-01	SPRING, FEED	
102	4-235-404-01	HOLDER, CLAMP		115	4-235-414-01	SHAFT, R	
103	4-235-381-01	BELT		116	4-235-415-01	SHAFT, L	
104	4-235-382-01	GEAR, PULLEY		117	4-235-389-01	RUBBER, FRONT	
105	4-235-407-01	GEAR, LOADING		118	4-236-695-01	MOTOR ASSY, SPINDLE	
106	4-235-384-01	BASE, UP/DOWN		119	4-235-390-01	RUBBER, REAR	
107	4-235-386-01	BASE, MAIN		120	4-235-418-01	BASE, PU	
108	4-235-454-01	MOTOR ASSY, LOADING		121	4-236-696-01	MOTOR ASSY, SLED	
109	4-235-387-01	GUIDE, UP/DOWN		122	4-235-419-01	SCREW, 2X6	
110	4-235-388-01	TRAY, DISC		123	4-235-420-01	SCREW, 1.7X6	
111	1-476-791-11	PICK UP BLOCK		124	4-235-421-01	SCREW, 1.7X5	
112	1-823-045-11	WIRE (FLAT TYPE) (17 CORE)		125	4-235-391-01	SCREW, 1.7X4.5	
113	4-235-412-01	GUIDE, FEED					

3-4. CD RECORD SECTION



Ref. No.	Part No.	Description	Remarks	Ref. No.	Part No.	Description	Remarks
151	4-235-453-01	CLAMP ASSY, DISC		162	1-476-792-11	OPTICAL BLOCK (CD-R)	
152	4-235-404-01	HOLDER, CLAMP		163	4-235-455-01	GEAR ASSY, RACK	
153	4-235-381-01	BELT		164	4-235-456-01	GEAR ASSY, PINION	
154	4-235-382-01	GEAR, PULLEY		165	4-235-457-01	MECHANISM ASSY, SLED	
155	4-235-407-01	GEAR, LOADING		166	4-235-390-01	RUBBER, REAR	
156	4-235-384-01	BASE, UP/DOWN		167	1-823-046-11	WIRE (FLAT TYPE) (32 CORE)	
157	4-235-386-01	BASE, MAIN		168	4-235-391-01	SCREW, 1.7X4.5	
158	4-235-454-01	MOTOR ASSY, LOADING		169	4-235-392-01	WASHER	
159	4-235-387-01	GUIDE, UP/DOWN		170	4-235-394-01	SCREW, 2.0X11.5	
160	4-235-388-01	TRAY, DISC		171	4-235-393-01	SCREW, 2.0X4.5	
161	4-235-389-01	RUBBER, FRONT		172	4-235-395-01	SCREW, 1.7X3	

SECTION 4 ELECTRICAL PARTS LIST

CD-R

NOTE:

- Due to standardization, replacements in the parts list may be different from the parts specified in the diagrams or the components used on the set.
- -XX, -X mean standardized parts, so they may have some difference from the original one.
- Items marked "*" are not stocked since they are seldom required for routine service. Some delay should be anticipated when ordering these items.
- CAPACITORS:
uF: μ F

- RESISTORS
All resistors are in ohms.
METAL: metal-film resistor
METAL OXIDE: Metal Oxide-film resistor
F: nonflammable
- COILS
uH: μ H
- SEMICONDUCTORS
In each case, u: μ , for example:
uA...: μ A..., uPA..., μ PA...,
uPB..., μ PB..., uPC..., μ PC...,
uPD..., μ PD...
- Abbreviation
CND: Canadian model

When indicating parts by reference number, please include the board name.

The components identified by mark Δ or dotted line with mark Δ are critical for safety. Replace only with part number specified.

Les composants identifiés par une marque Δ sont critiques pour la sécurité. Ne les remplacer que par une pièce portant le numéro spécifié.

Ref. No.	Part No.	Description	Remarks	Ref. No.	Part No.	Description	Remarks
	A-4726-182-A	CD-R BOARD, COMPLETE *****		C239	1-127-688-21	TANTAL. CHIP 10uF	20% 16V
		< CAPACITOR >		C240	1-107-826-11	CERAMIC CHIP 0.1uF	10.00% 16V
C101	1-164-156-11	CERAMIC CHIP 0.1uF	25V	C241	1-107-826-11	CERAMIC CHIP 0.1uF	10.00% 16V
C102	1-107-826-11	CERAMIC CHIP 0.1uF	10.00% 16V	C242	1-107-826-11	CERAMIC CHIP 0.1uF	10.00% 16V
C103	1-131-651-21	TANTAL. ELECT 10uF	20% 16V	C243	1-127-688-21	TANTAL. CHIP 10uF	20% 16V
C105	1-128-416-11	ELECT CHIP 100uF	20.00% 16V	C301	1-165-319-11	CERAMIC CHIP 0.1uF	50V
C106	1-165-589-21	ELECT 220uF	OPF 0V	C302	1-165-319-11	CERAMIC CHIP 0.1uF	50V
C107	1-164-156-11	CERAMIC CHIP 0.1uF	25V	C303	1-163-038-11	CERAMIC CHIP 0.1uF	25V
C108	1-107-826-11	CERAMIC CHIP 0.1uF	10.00% 16V	C304	1-163-038-11	CERAMIC CHIP 0.1uF	25V
C109	1-164-346-11	CERAMIC CHIP 1uF	16V	C305	1-163-038-11	CERAMIC CHIP 0.1uF	25V
C110	1-164-156-11	CERAMIC CHIP 0.1uF	25V	C306	1-163-038-11	CERAMIC CHIP 0.1uF	25V
C111	1-109-982-11	CERAMIC CHIP 1uF	10.00% 10V	C307	1-165-319-11	CERAMIC CHIP 0.1uF	50V
C112	1-107-826-11	CERAMIC CHIP 0.1uF	10.00% 16V	C308	1-163-038-11	CERAMIC CHIP 0.1uF	25V
C113	1-128-416-11	ELECT CHIP 100uF	20.00% 16V	C309	1-163-038-11	CERAMIC CHIP 0.1uF	25V
C114	1-128-416-11	ELECT CHIP 100uF	20.00% 16V	C310	1-163-038-11	CERAMIC CHIP 0.1uF	25V
C201	1-162-970-11	CERAMIC CHIP 0.01uF	10% 25V	C311	1-163-038-11	CERAMIC CHIP 0.1uF	25V
C202	1-162-968-11	CERAMIC CHIP 0.0047uF	10% 50V	C312	1-216-819-11	METAL CHIP 680	5% 1/16W
C204	1-162-967-11	CERAMIC CHIP 0.0033uF	10% 50V	C313	1-162-923-11	CERAMIC CHIP 47PF	5% 50V
C206	1-164-156-11	CERAMIC CHIP 0.1uF	25V	C314	1-162-923-11	CERAMIC CHIP 47PF	5% 50V
C207	1-164-156-11	CERAMIC CHIP 0.1uF	25V	C321	1-165-319-11	CERAMIC CHIP 0.1uF	50V
C208	1-164-156-11	CERAMIC CHIP 0.1uF	25V	C322	1-127-861-11	CERAMIC CHIP 2.2uF	10% 16V
C209	1-164-156-11	CERAMIC CHIP 0.1uF	25V	C323	1-163-038-11	CERAMIC CHIP 0.1uF	25V
C210	1-164-156-11	CERAMIC CHIP 0.1uF	25V	C325	1-216-820-91	RES, CHIP 820	5% 16V
C211	1-164-156-11	CERAMIC CHIP 0.1uF	25V	C326	1-131-651-21	TANTAL. CHIP 10uF	20% 16V
C212	1-164-156-11	CERAMIC CHIP 0.1uF	25V	C327	1-163-038-11	CERAMIC CHIP 0.1uF	25V
C213	1-164-156-11	CERAMIC CHIP 0.1uF	25V	C329	1-163-038-11	CERAMIC CHIP 0.1uF	25V
C214	1-164-156-11	CERAMIC CHIP 0.1uF	25V	C330	1-127-861-11	CERAMIC CHIP 2.2uF	10% 16V
C215	1-164-156-11	CERAMIC CHIP 0.1uF	25V	C331	1-162-970-11	CERAMIC CHIP 0.01uF	10% 25V
C216	1-164-156-11	CERAMIC CHIP 0.1uF	25V	C332	1-162-970-11	CERAMIC CHIP 0.01uF	10% 25V
C217	1-164-156-11	CERAMIC CHIP 0.1uF	25V	C333	1-165-591-21	ELECT 0.08uF	OPF 0V
C218	1-107-826-11	CERAMIC CHIP 0.1uF	10.00% 16V	C334	1-165-592-21	ELECT 8200PF	OPF 0V
C220	1-164-156-11	CERAMIC CHIP 0.1uF	25V	C335	1-127-861-11	CERAMIC CHIP 2.2uF	10% 16V
C221	1-127-688-21	TANTAL. CHIP 10uF	20% 16V	C336	1-165-319-11	CERAMIC CHIP 0.1uF	50V
C222	1-107-826-11	CERAMIC CHIP 0.1uF	10.00% 16V	C338	1-162-927-11	CERAMIC CHIP 100PF	5% 50V
C223	1-115-416-11	CERAMIC CHIP 0.001uF	5.00% 25V	C339	1-162-927-11	CERAMIC CHIP 100PF	5% 50V
C224	1-162-968-11	CERAMIC CHIP 0.0047uF	10% 50V	C340	1-162-927-11	CERAMIC CHIP 100PF	5% 50V
C225	1-107-826-11	CERAMIC CHIP 0.1uF	10.00% 16V	C344	1-162-918-11	CERAMIC CHIP 18PF	5% 50V
C226	1-107-826-11	CERAMIC CHIP 0.1uF	10.00% 16V	C345	1-162-918-11	CERAMIC CHIP 18PF	5% 50V
C227	1-107-826-11	CERAMIC CHIP 0.1uF	10.00% 16V	C346	1-107-826-11	CERAMIC CHIP 0.1uF	10.00% 16V
C228	1-107-826-11	CERAMIC CHIP 0.1uF	10.00% 16V	C347	1-216-821-11	RES, CHIP 1K	5% 1/16W
C229	1-107-826-11	CERAMIC CHIP 0.1uF	10.00% 16V	C348	1-216-821-11	RES, CHIP 1K	5% 1/16W
C232	1-107-826-11	CERAMIC CHIP 0.1uF	10.00% 16V	C349	1-164-230-11	CERAMIC CHIP 220PF	5% 50V
C235	1-107-826-11	CERAMIC CHIP 0.1uF	10.00% 16V	C350	1-164-230-11	CERAMIC CHIP 220PF	5% 50V
C238	1-107-826-11	CERAMIC CHIP 0.1uF	10.00% 16V	C351	1-164-230-11	CERAMIC CHIP 220PF	5% 50V
				C355	1-216-810-11	RES, CHIP 120	5% 1/16W
				C356	1-164-156-11	CERAMIC CHIP 0.1uF	25V

Ref. No.	Part No.	Description	Remarks	Ref. No.	Part No.	Description	Remarks
C401	1-162-966-11	CERAMIC CHIP	0.0022uF 10% 50V	C467	1-127-688-21	TANTAL. CHIP	10uF 20% 16V
C402	1-164-677-11	CERAMIC CHIP	0.033uF 10.00% 16V	C468	1-109-982-11	CERAMIC CHIP	1uF 10.00% 10V
C403	1-164-156-11	CERAMIC CHIP	0.1uF 25V	C469	1-162-964-11	CERAMIC CHIP	0.001uF 10% 50V
C404	1-162-966-11	CERAMIC CHIP	0.0022uF 10% 50V	C470	1-127-688-21	TANTAL. ELECT	10uF 20% 6.3V
C405	1-164-489-11	CERAMIC CHIP	0.22uF 10.00% 16V	C471	1-127-688-21	TANTAL. ELECT	10uF 20% 6.3V
C406	1-164-489-11	CERAMIC CHIP	0.22uF 10.00% 16V	C473	1-128-416-11	ELECT CHIP	100uF 20.00% 16V
C407	1-127-688-21	TANTAL. ELECT	10uF 20% 6.3V	C474	1-164-230-11	CERAMIC CHIP	220PF 5.00% 50V
C408	1-164-230-11	CERAMIC CHIP	220PF 5.00% 50V	C475	1-162-912-11	CERAMIC CHIP	7PF 0.5PF 50V
C409	1-164-156-11	CERAMIC CHIP	0.1uF 25V	C476	1-107-826-11	CERAMIC CHIP	0.1uF 10.00% 16V
C410	1-115-416-11	CERAMIC CHIP	0.001uF 5.00% 25V	C477	1-107-826-11	CERAMIC CHIP	0.1uF 10.00% 16V
C411	1-115-416-11	CERAMIC CHIP	0.001uF 5.00% 25V	C478	1-162-908-11	CERAMIC CHIP	3PF 0.25PF 50V
C412	1-164-156-11	CERAMIC CHIP	0.1uF 25V	C479	1-162-908-11	CERAMIC CHIP	3PF 0.25PF 50V
C413	1-164-156-11	CERAMIC CHIP	0.1uF 25V	C480	1-164-156-11	CERAMIC CHIP	0.1uF 25V
C414	1-164-156-11	CERAMIC CHIP	0.1uF 25V	C481	1-107-826-11	CERAMIC CHIP	0.1uF 10.00% 16V
C415	1-127-688-21	TANTAL. CHIP	10uF 20% 16V	C482	1-162-970-11	CERAMIC CHIP	0.01uF 10% 25V
C416	1-127-688-21	TANTAL. CHIP	10uF 20% 16V	C501	1-164-156-11	CERAMIC CHIP	0.1uF 25V
C417	1-164-156-11	CERAMIC CHIP	0.1uF 25V	C503	1-164-156-11	CERAMIC CHIP	0.1uF 25V
C418	1-165-319-11	CERAMIC CHIP	0.1uF 50V	C504	1-128-416-11	ELECT CHIP	100uF 20.00% 16V
C419	1-165-319-11	CERAMIC CHIP	0.1uF 50V	C505	1-107-826-11	CERAMIC CHIP	0.1uF 10.00% 16V
C420	1-164-156-11	CERAMIC CHIP	0.1uF 25V	C506	1-162-970-11	CERAMIC CHIP	0.01uF 10% 25V
C421	1-107-826-11	CERAMIC CHIP	0.1uF 10.00% 16V	C507	1-127-936-91	CERAMIC CHIP	5600PF 5% 25V
C422	1-164-156-11	CERAMIC CHIP	0.1uF 25V	C508	1-162-970-11	CERAMIC CHIP	0.01uF 10% 25V
C423	1-164-156-11	CERAMIC CHIP	0.1uF 25V	C509	1-162-970-11	CERAMIC CHIP	0.01uF 10% 25V
C424	1-110-501-11	CERAMIC CHIP	0.33uF 10.00% 16V	C510	1-127-936-91	CERAMIC CHIP	5600PF 5% 25V
C425	1-110-501-11	CERAMIC CHIP	0.33uF 10.00% 16V	C511	1-107-826-11	CERAMIC CHIP	0.1uF 10.00% 16V
C426	1-110-501-11	CERAMIC CHIP	0.33uF 10.00% 16V	C512	1-164-156-11	CERAMIC CHIP	0.1uF 25V
C427	1-164-245-11	CERAMIC CHIP	0.015uF 10.00% 25V	C513	1-107-826-11	CERAMIC CHIP	0.1uF 10.00% 16V
C428	1-164-156-11	CERAMIC CHIP	0.1uF 25V	C514	1-162-969-11	CERAMIC CHIP	0.0068uF 10% 25V
C429	1-107-823-11	CERAMIC CHIP	0.47uF 10.00% 16V	C515	1-162-969-11	CERAMIC CHIP	0.0068uF 10% 25V
C430	1-162-970-11	CERAMIC CHIP	0.01uF 10% 25V	C520	1-107-823-11	CERAMIC CHIP	0.47uF 10.00% 16V
C431	1-164-156-11	CERAMIC CHIP	0.1uF 25V	C521	1-164-005-11	CERAMIC CHIP	0.47uF 25V
C432	1-107-826-11	CERAMIC CHIP	0.1uF 10.00% 16V	C522	1-162-966-11	CERAMIC CHIP	0.0022uF 10% 50V
C433	1-164-156-11	CERAMIC CHIP	0.1uF 25V	C523	1-164-156-11	CERAMIC CHIP	0.1uF 25V
C434	1-164-217-11	CERAMIC CHIP	150PF 5.00% 50V	C524	1-164-156-11	CERAMIC CHIP	0.1uF 25V
C435	1-107-826-11	CERAMIC CHIP	0.1uF 10.00% 16V	C525	1-164-156-11	CERAMIC CHIP	0.1uF 25V
C437	1-107-826-11	CERAMIC CHIP	0.1uF 10.00% 16V	C528	1-107-826-11	CERAMIC CHIP	0.1uF 10.00% 16V
C438	1-162-920-11	CERAMIC CHIP	27PF 5% 50V	C529	1-131-651-21	TANTAL. ELECT	10uF 20% 16V
C439	1-162-959-11	CERAMIC CHIP	330PF 5% 50V	C530	1-107-826-11	CERAMIC CHIP	0.1uF 10.00% 16V
C440	1-107-826-11	CERAMIC CHIP	0.1uF 10.00% 16V	C531	1-164-346-11	CERAMIC CHIP	1uF 16V
C441	1-162-920-11	CERAMIC CHIP	27PF 5% 50V	C533	1-128-416-11	ELECT CHIP	100uF 20.00% 16V
C442	1-162-923-11	CERAMIC CHIP	47PF 5% 50V	C534	1-107-826-11	CERAMIC CHIP	0.1uF 10.00% 16V
C443	1-164-492-11	CERAMIC CHIP	0.15uF 10.00% 16V	C535	1-109-982-11	CERAMIC CHIP	1uF 10.00% 10V
C444	1-162-967-11	CERAMIC CHIP	0.0033uF 10% 50V	C536	1-109-982-11	CERAMIC CHIP	1uF 10.00% 10V
C445	1-162-967-11	CERAMIC CHIP	0.0033uF 10% 50V	C537	1-107-826-11	CERAMIC CHIP	0.1uF 10.00% 16V
C446	1-107-826-11	CERAMIC CHIP	0.1uF 10.00% 16V	C538	1-128-416-11	ELECT CHIP	100uF 20.00% 16V
C447	1-107-826-11	CERAMIC CHIP	0.1uF 10.00% 16V	C540	1-107-826-11	CERAMIC CHIP	0.1uF 10.00% 16V
C449	1-164-156-11	CERAMIC CHIP	0.1uF 25V	C541	1-107-826-11	CERAMIC CHIP	0.1uF 10.00% 16V
C451	1-164-156-11	CERAMIC CHIP	0.1uF 25V	C543	1-107-826-11	CERAMIC CHIP	0.1uF 10.00% 16V
C453	1-164-156-11	CERAMIC CHIP	0.1uF 25V	C544	1-107-826-11	CERAMIC CHIP	0.1uF 10.00% 16V
C454	1-127-688-21	TANTAL. ELECT	10uF 20% 6.3V	C546	1-107-826-11	CERAMIC CHIP	0.1uF 10.00% 16V
C455	1-127-688-21	TANTAL. ELECT	10uF 20% 6.3V	C548	1-164-156-11	CERAMIC CHIP	0.1uF 25V
C456	1-164-217-11	CERAMIC CHIP	150PF 5.00% 50V	C549	1-164-156-11	CERAMIC CHIP	0.1uF 25V
C458	1-164-217-11	CERAMIC CHIP	150PF 5.00% 50V	C550	1-165-176-11	CERAMIC CHIP	0.047uF 10.00% 16V
C459	1-164-217-11	CERAMIC CHIP	150PF 5.00% 50V	C551	1-165-176-11	CERAMIC CHIP	0.047uF 10.00% 16V
C460	1-131-651-21	TANTAL. CHIP	10uF 20% 16V	C552	1-165-176-11	CERAMIC CHIP	0.047uF 10.00% 16V
C461	1-164-156-11	CERAMIC CHIP	0.1uF 25V	C553	1-107-826-11	CERAMIC CHIP	0.1uF 10.00% 16V
C462	1-164-156-11	CERAMIC CHIP	0.1uF 25V	C555	1-162-970-11	CERAMIC CHIP	0.01uF 10% 25V
C463	1-131-651-21	TANTAL. CHIP	10uF 20% 16V	C557	1-164-156-11	CERAMIC CHIP	0.1uF 25V
C464	1-164-156-11	CERAMIC CHIP	0.1uF 25V	C558	1-164-156-11	CERAMIC CHIP	0.1uF 25V
C466	1-107-826-11	CERAMIC CHIP	0.1uF 10.00% 16V				

Ref. No.	Part No.	Description	Remarks	Ref. No.	Part No.	Description	Remarks	
C601	1-164-156-11	CERAMIC CHIP	0.1uF	25V	IC406	8-759-545-66	IC NJM3414M	
C602	1-164-156-11	CERAMIC CHIP	0.1uF	25V	IC407	8-759-575-32	IC NC7SZ66P5X	
C603	1-127-688-21	TANTAL. ELECT	10uF	20%	6.3V	IC409	8-759-635-27	IC M62352GP-75E
C604	1-127-688-21	TANTAL. ELECT	10uF	20%	6.3V	IC411	8-759-058-43	IC NJM3404AV
C605	1-216-813-11	RES, CHIP	220	5%	50V	IC412	8-759-082-58	IC TC7W08FU(TE12R)
C606	1-162-913-11	CERAMIC CHIP	8PF	0.50PF	50V	IC413	8-759-350-97	IC EL2245CS
C607	1-162-970-11	CERAMIC CHIP	0.01uF	10%	25V	IC414	8-759-575-32	IC NC7SZ66P5X
C608	1-162-970-11	CERAMIC CHIP	0.01uF	10%	25V	IC501	8-759-679-08	IC BA5983FM
C609	1-127-688-21	TANTAL. ELECT	10uF	20%	6.3V	IC502	8-759-536-49	IC BA5925FV-E2
C701	1-164-156-11	CERAMIC CHIP	0.1uF	25V	IC508	8-759-448-71	IC BU4053BCFV-E2	
C702	1-162-927-11	CERAMIC CHIP	100PF	5%	50V	IC509	8-759-058-43	IC NJM3404AV
C704	1-164-156-11	CERAMIC CHIP	0.1uF	25V	IC510	8-759-588-60	IC BA6664FM-E2	
C705	1-162-917-11	CERAMIC CHIP	15PF	5%	50V	IC511	8-759-697-62	IC NJM7808DL1A(TE1)
C706	1-162-917-11	CERAMIC CHIP	15PF	5%	50V	IC512	8-759-697-62	IC NJM7808DL1A(TE1)
C707	1-164-156-11	CERAMIC CHIP	0.1uF	25V	IC514	8-759-545-66	IC NJM3414M	
C708	1-164-156-11	CERAMIC CHIP	0.1uF	25V	IC601	6-700-341-01	IC XC9536-VQ44	
C709	1-162-970-11	CERAMIC CHIP	0.01uF	10%	25V	IC701	6-800-235-01	IC HD64F3062AFBL-CDR
C710	1-162-970-11	CERAMIC CHIP	0.01uF	10%	25V	IC702	8-759-466-52	IC CAT93C86S-LE10
C712	1-165-176-11	CERAMIC CHIP	0.047uF	10.00%	16V		< COIL >	
C713	1-165-176-11	CERAMIC CHIP	0.047uF	10.00%	16V	L103	1-400-090-21	INDUCTOR (SMD), FERRITE BEAD
C714	1-107-826-11	CERAMIC CHIP	0.1uF	10.00%	16V	L202	1-412-058-11	INDUCTOR CHIP 10uH
C715	1-164-156-11	CERAMIC CHIP	0.1uF	25V	L301	1-400-090-21	INDUCTOR (SMD), FERRITE BEAD	
C716	1-164-156-11	CERAMIC CHIP	0.1uF	25V	L302	1-412-058-11	INDUCTOR CHIP 10uH	
C721	1-127-688-21	TANTAL. ELECT	10uF	20%	6.3V	L306	1-412-058-11	INDUCTOR CHIP 10uH
C722	1-127-688-21	TANTAL. CHIP	10uF	20%	16V	L308	1-412-058-11	INDUCTOR CHIP 10uH
C740	1-162-970-11	CERAMIC CHIP	0.01uF	10%	25V	L401	1-412-058-11	INDUCTOR CHIP 10uH
C741	1-162-970-11	CERAMIC CHIP	0.01uF	10%	25V	L402	1-412-058-11	INDUCTOR CHIP 10uH
C743	1-164-156-11	CERAMIC CHIP	0.1uF	25V	L403	1-412-058-11	INDUCTOR CHIP 10uH	
C750	1-127-688-21	TANTAL. ELECT	10uF	20%	6.3V	L701	1-412-058-11	INDUCTOR CHIP 10uH
C751	1-127-688-21	TANTAL. ELECT	10uF	20%	6.3V		< CONNECTOR >	
		< CONNECTOR >						
CN102	1-784-375-21	CONNECTOR, FFC/FPC 16P			PN105	1-815-765-11	SOCKET, CONNECTOR 6P	
CN401	1-815-765-11	CONNECTOR, FFC 32P			PN201	1-815-765-11	SOCKET, CONNECTOR 6P	
CN501	1-784-367-11	CONNECTOR, FFC/FPC 8P			PN605	1-784-383-21	CONNECTOR, FFC/FPC 26P	
CN502	1-784-370-21	CONNECTOR, FFC/FPC 11P				< TRANSISTOR >		
* CN701	1-564-704-11	PIN, CONNECTOR (SMALL TYPE) 2P			Q401	1-801-806-11	TR DTC144EKA	
		< DIODE >			Q402	1-801-806-11	TR DTC144EKA	
D101	8-719-084-79	DIODE KDS187			Q403	1-801-806-11	TR DTC144EKA	
D401	8-719-084-78	DIODE KDS121			Q404	1-801-806-11	TR DTC144EKA	
D701	8-719-084-78	DIODE KDS121			Q405	1-801-806-11	TR DTC144EKA	
		< IC >				< RESISTOR >		
IC101	6-700-342-01	IC XC61AN3002			R101	1-216-838-11	METAL CHIP 27K 5% 1/16W	
IC102	8-759-476-20	IC BA033SFP-E2			R103	1-216-833-11	METAL CHIP 10K 5% 1/16W	
IC103	8-759-458-10	IC BA3939-E2			R104	1-216-864-91	SHORT 0	
IC201	6-700-349-01	IC OTCI9790			R219	1-216-833-11	METAL CHIP 10K 5% 1/16W	
IC203	8-759-681-39	IC GM71C18160CT-6			R220	1-216-833-11	METAL CHIP 10K 5% 1/16W	
IC301	6-700-348-01	IC VC00S01			R221	1-216-833-11	METAL CHIP 10K 5% 1/16W	
IC302	6-700-347-01	IC W2457AS-35			R227	1-216-864-91	SHORT 0	
IC303	8-759-031-84	IC TC7S04F(TE85R)			R228	1-216-812-11	METAL CHIP 180 5% 1/16W	
IC304	8-759-300-71	IC BU4053BCF			R229	1-216-809-11	METAL CHIP 100 5% 1/16W	
IC306	6-700-346-01	IC CS8420-CSR			R230	1-216-809-11	METAL CHIP 100 5% 1/16W	
IC307	8-759-300-71	IC BU4053BCF			R231	1-414-229-21	INDUCTOR, FERRITE BEAD	
IC310	8-759-031-84	IC TC7S04F			R234	1-216-835-11	METAL CHIP 15K 5% 1/16W	
IC401	8-752-097-31	IC CXA2551AR			R235	1-216-830-11	METAL CHIP 5.6K 5% 1/16W	
IC403	8-759-058-45	IC NJM3403AV			R236	1-216-821-11	METAL CHIP 1K 5% 1/16W	
IC404	8-759-338-95	IC NJM2903V(TE2)			R237	1-216-829-11	METAL CHIP 4.7K 5% 1/16W	
IC405	8-759-387-26	IC BU4052BCFV-E2			R238	1-216-833-11	METAL CHIP 10K 5% 1/16W	

Ref. No.	Part No.	Description	Quantity	Percentage	Remarks	Ref. No.	Part No.	Description	Quantity	Percentage	Remarks
R239	1-216-813-11	METAL CHIP	220	5%	1/16W	R401	1-216-864-91	SHORT	0		
R240	1-216-839-11	METAL CHIP	33K	5%	1/16W	R403	1-216-864-91	SHORT	0		
R241	1-216-813-11	METAL CHIP	220	5%	1/16W	R404	1-216-821-11	METAL CHIP	1K	5%	1/16W
R245	1-216-813-11	METAL CHIP	220	5%	1/16W	R405	1-216-809-11	METAL CHIP	100	5%	1/16W
						R406	1-216-838-11	METAL CHIP	27K	5%	1/16W
R250	1-216-813-11	METAL CHIP	220	5%	1/16W	R407	1-216-838-11	METAL CHIP	27K	5%	1/16W
R251	1-216-813-11	METAL CHIP	220	5%	1/16W	R409	1-216-809-11	METAL CHIP	100	5%	1/16W
R252	1-216-813-11	METAL CHIP	220	5%	1/16W	R410	1-216-843-11	METAL CHIP	68K	5%	1/16W
R253	1-216-813-11	METAL CHIP	220	5%	1/16W	R411	1-216-843-11	METAL CHIP	68K	5%	1/16W
R254	1-216-813-11	METAL CHIP	220	5%	1/16W	R413	1-216-857-11	METAL CHIP	1M	5%	1/16W
R255	1-216-813-11	METAL CHIP	220	5%	1/16W	R414	1-216-833-11	METAL CHIP	10K	5%	1/16W
R256	1-216-813-11	METAL CHIP	220	5%	1/16W	R415	1-216-833-11	METAL CHIP	10K	5%	1/16W
R257	1-216-813-11	METAL CHIP	220	5%	1/16W	R416	1-216-833-11	METAL CHIP	10K	5%	1/16W
R259	1-216-841-11	METAL CHIP	47K	5%	1/16W	R417	1-216-833-11	METAL CHIP	10K	5%	1/16W
R260	1-216-835-11	METAL CHIP	15K	5%	1/16W	R418	1-216-835-11	METAL CHIP	15K	5%	1/16W
R261	1-216-864-11	CONDUCTOR, CHIP	0			R419	1-216-830-11	METAL CHIP	5.6K	5%	1/16W
R262	1-216-864-11	CONDUCTOR, CHIP	0			R420	1-216-821-11	METAL CHIP	1K	5%	1/16W
R263	1-216-864-11	CONDUCTOR, CHIP	0			R422	1-216-827-11	METAL CHIP	3.3K	5%	1/16W
R264	1-216-864-11	CONDUCTOR, CHIP	0			R423	1-216-839-11	METAL CHIP	33K	5%	1/16W
R265	1-216-864-11	CONDUCTOR, CHIP	0			R424	1-216-835-11	METAL CHIP	15K	5%	1/16W
R266	1-216-864-11	CONDUCTOR, CHIP	0			R425	1-216-827-11	METAL CHIP	3.3K	5%	1/16W
R267	1-216-864-11	CONDUCTOR, CHIP	0			R426	1-216-839-11	METAL CHIP	33K	5%	1/16W
R268	1-216-864-11	CONDUCTOR, CHIP	0			R427	1-216-841-11	METAL CHIP	47K	5%	1/16W
R269	1-216-864-11	CONDUCTOR, CHIP	0			R428	1-216-864-91	SHORT	0		
R270	1-216-864-91	SHORT	0			R429	1-216-833-11	METAL CHIP	10K	5%	1/16W
R304	1-216-827-11	RES, CHIP	3.3K	5%	1/16W	R430	1-216-864-91	SHORT	0		
R305	1-162-926-11	CERAMIC CHIP	82PF	5%	50V	R431	1-216-841-11	METAL CHIP	47K	5%	1/16W
R306	1-216-813-11	METAL CHIP	220	5%	1/16W	R432	1-216-841-11	METAL CHIP	47K	5%	1/16W
R307	1-216-813-11	METAL CHIP	220	5%	1/16W	R433	1-216-841-11	METAL CHIP	47K	5%	1/16W
R308	1-216-813-11	METAL CHIP	220	5%	1/16W	R434	1-216-864-91	SHORT	0		
R310	1-216-817-11	RES, CHIP	470	5%	1/16W	R435	1-216-821-11	METAL CHIP	1K	5%	1/16W
R320	1-216-833-11	METAL CHIP	10K	5%	1/16W	R436	1-216-821-11	METAL CHIP	1K	5%	1/16W
R322	1-216-813-11	METAL CHIP	220	5%	1/16W	R437	1-216-839-11	METAL CHIP	33K	5%	1/16W
R323	1-216-816-11	RES, CHIP	390	5%	1/16W	R438	1-216-837-11	METAL CHIP	22K	5%	1/16W
R325	1-162-970-11	CERAMIC	0.01uF	10.00%	25V	R441	1-216-851-11	METAL CHIP	330K	5%	1/16W
R327	1-216-833-11	METAL CHIP	10K	5%	1/16W	R442	1-216-817-11	METAL CHIP	470	5%	1/16W
R335	1-216-817-11	RES, CHIP	470	5%	1/16W	R445	1-216-827-11	METAL CHIP	3.3K	5%	1/16W
R336	1-216-818-11	RES, CHIP	560	5%	1/16W	R446	1-216-864-91	SHORT	0		
R337	1-216-833-11	METAL CHIP	10K	5%	1/16W	R448	1-216-821-11	METAL CHIP	1K	5%	1/16W
R355	1-216-841-11	METAL CHIP	47K	5%	1/16W	R449	1-216-864-91	SHORT	0		
R364	1-216-813-11	METAL CHIP	220	5%	1/16W	R451	1-216-815-11	METAL CHIP	330	5%	1/16W
R365	1-216-813-11	METAL CHIP	220	5%	1/16W	R452	1-216-822-11	METAL CHIP	1.2K	5%	1/16W
R366	1-216-815-11	METAL CHIP	330	5%	1/16W	R453	1-216-827-11	RES, CHIP	3.3K	5%	1/16W
R367	1-216-821-11	METAL CHIP	1K	5%	1/16W	R454	1-216-833-11	METAL CHIP	10K	5%	1/16W
R368	1-216-809-11	METAL CHIP	100	5%	1/16W	R455	1-216-817-11	METAL CHIP	470	5%	1/16W
R369	1-216-809-11	METAL CHIP	100	5%	1/16W	R456	1-216-825-11	METAL CHIP	2.2K	5%	1/16W
R370	1-216-809-11	METAL CHIP	100	5%	1/16W	R457	1-216-819-11	METAL CHIP	680	5%	1/16W
R371	1-216-829-11	RES, CHIP	4.7K	5%	1/16W	R458	1-216-833-11	METAL CHIP	10K	5%	1/16W
R373	1-216-813-11	METAL CHIP	220	5%	1/16W	R460	1-216-841-11	METAL CHIP	47K	5%	1/16W
R374	1-216-813-11	METAL CHIP	220	5%	1/16W	R465	1-216-819-11	METAL CHIP	680	5%	1/16W
R375	1-216-815-11	METAL CHIP	330	5%	1/16W	R466	1-216-824-11	METAL CHIP	1.8K	5%	1/16W
R376	1-216-813-11	METAL CHIP	220	5%	1/16W	R467	1-216-821-11	METAL CHIP	1K	5%	1/16W
R377	1-216-813-11	METAL CHIP	220	5%	1/16W	R469	1-216-824-11	METAL CHIP	1.8K	5%	1/16W
R378	1-216-813-11	METAL CHIP	220	5%	1/16W	R471	1-216-833-11	METAL CHIP	10K	5%	1/16W
R380	1-216-813-11	METAL CHIP	220	5%	1/16W	R472	1-216-837-11	METAL CHIP	22K	5%	1/16W
R382	1-216-819-11	RES, CHIP	680	5%	1/16W	R473	1-216-821-11	METAL CHIP	1K	5%	1/16W
R385	1-216-864-11	CONDUCTOR, CHIP	0			R474	1-216-833-11	METAL CHIP	10K	5%	1/16W
R386	1-216-857-11	METAL CHIP	1M	5%	1/16W	R475	1-216-844-11	METAL CHIP	82K	5%	1/16W
R387	1-216-813-11	METAL CHIP	220	5%	1/16W	R476	1-216-829-11	METAL CHIP	4.7K	5%	1/16W
R388	1-414-229-11	INDUCTOR, FERRITE BEAD	0uH			R477	1-216-864-91	SHORT	0		
R390	1-216-864-11	CONDUCTOR, CHIP	0								

Ref. No.	Part No.	Description	Quantity	Tolerance	Temp. Coef.	Remarks	Ref. No.	Part No.	Description	Quantity	Tolerance	Temp. Coef.	Remarks
R481	1-216-819-11	METAL CHIP	680	5%	1/16W		R604	1-216-813-11	METAL CHIP	220	5%	1/16W	
R483	1-216-821-11	METAL CHIP	1K	5%	1/16W		R605	1-216-813-11	METAL CHIP	220	5%	1/16W	
R487	1-216-837-11	METAL CHIP	22K	5%	1/16W		R607	1-216-815-11	METAL CHIP	330	5%	1/16W	
R488	1-216-833-11	METAL CHIP	10K	5%	1/16W		R608	1-216-813-11	METAL CHIP	220	5%	1/16W	
R489	1-216-857-11	METAL CHIP	1M	5%	1/16W		R609	1-216-812-11	METAL CHIP	180	5%	1/16W	
R490	1-216-829-11	METAL CHIP	4.7K	5%	1/16W		R610	1-216-815-11	METAL CHIP	330	5%	1/16W	
R492	1-216-864-91	SHORT	0				R611	1-216-864-91	SHORT	0			
R493	1-216-819-11	METAL CHIP	680	5%	1/16W		R612	1-216-813-11	METAL CHIP	220	5%	1/16W	
R494	1-216-819-11	METAL CHIP	680	5%	1/16W		R613	1-216-813-11	METAL CHIP	220	5%	1/16W	
R495	1-216-821-11	METAL CHIP	1K	5%	1/16W		R619	1-216-813-11	METAL CHIP	220	5%	1/16W	
R496	1-216-819-11	METAL CHIP	680	5%	1/16W		R620	1-216-813-11	METAL CHIP	220	5%	1/16W	
R497	1-216-819-11	METAL CHIP	680	5%	1/16W		R627	1-216-864-11	CONDUCTOR, CHIP	0			
R502	1-216-809-11	METAL CHIP	100	5%	1/16W		R701	1-216-811-11	METAL CHIP	150	5%	1/16W	
R503	1-216-864-91	SHORT	0				R702	1-216-853-11	METAL CHIP	470K	5%	1/16W	
R508	1-216-833-11	METAL CHIP	10K	5%	1/16W		R703	1-216-805-11	METAL CHIP	47	5%	1/16W	
R515	1-216-821-11	METAL CHIP	1K	5%	1/16W		R704	1-216-805-11	METAL CHIP	47	5%	1/16W	
R516	1-216-833-11	METAL CHIP	10K	5%	1/16W		R705	1-216-805-11	METAL CHIP	47	5%	1/16W	
R517	1-216-825-11	METAL CHIP	2.2K	5%	1/16W		R706	1-216-805-11	METAL CHIP	47	5%	1/16W	
R518	1-216-844-11	METAL CHIP	82K	5%	1/16W		R707	1-216-805-11	METAL CHIP	47	5%	1/16W	
R519	1-216-831-11	METAL CHIP	6.8K	5%	1/16W		R708	1-216-805-11	METAL CHIP	47	5%	1/16W	
R520	1-216-845-11	METAL CHIP	100K	5%	1/16W		R709	1-216-805-11	METAL CHIP	47	5%	1/16W	
R521	1-216-840-11	METAL CHIP	39K	5%	1/16W		R710	1-216-805-11	METAL CHIP	47	5%	1/16W	
R522	1-216-851-11	METAL CHIP	330K	5%	1/16W		R711	1-216-805-11	METAL CHIP	47	5%	1/16W	
R523	1-216-845-11	RES, CHIP	100K	5%	1/16W		R712	1-216-833-11	METAL CHIP	10K	5%	1/16W	
R524	1-216-840-11	METAL CHIP	39K	5%	1/16W		R713	1-216-809-11	METAL CHIP	100	5%	1/16W	
R525	1-216-853-11	METAL CHIP	470K	5%	1/16W		R714	1-216-809-11	METAL CHIP	100	5%	1/16W	
R553	1-216-809-11	METAL CHIP	100	5%	1/16W		R715	1-216-833-11	METAL CHIP	10K	5%	1/16W	
R554	1-216-809-11	METAL CHIP	100	5%	1/16W		R716	1-216-821-11	METAL CHIP	1K	5%	1/16W	
R556	1-216-843-11	METAL CHIP	68K	5%	1/16W		R717	1-216-821-11	METAL CHIP	1K	5%	1/16W	
R557	1-216-850-11	METAL CHIP	270K	5%	1/16W		R718	1-216-829-11	METAL CHIP	4.7K	5%	1/16W	
R558	1-216-845-11	METAL CHIP	100K	5%	1/16W		R719	1-216-809-11	METAL CHIP	100	5%	1/16W	
R560	1-216-864-91	SHORT	0				R720	1-216-809-11	METAL CHIP	100	5%	1/16W	
R563	1-217-907-11	RES, CHIP	1.8	5%	1/10W		R721	1-216-805-11	METAL CHIP	47	5%	1/16W	
R564	1-217-907-11	RES, CHIP	1.8	5%	1/10W		R726	1-216-825-11	METAL CHIP	2.2K	5%	1/16W	
R565	1-217-907-11	RES, CHIP	1.8	5%	1/10W		R727	1-216-825-11	METAL CHIP	2.2K	5%	1/16W	
R567	1-216-848-11	METAL CHIP	180K	5%	1/16W		R728	1-216-833-11	METAL CHIP	10K	5%	1/16W	
R568	1-216-845-11	METAL CHIP	100K	5%	1/16W		R729	1-216-833-11	METAL CHIP	10K	5%	1/16W	
R569	1-216-841-11	METAL CHIP	47K	5%	1/16W		R738	1-216-809-11	RES, CHIP	100	5%	1/16W	
R570	1-216-864-91	SHORT	0				R740	1-216-817-11	METAL CHIP	470	5%	1/16W	
R572	1-216-837-11	METAL CHIP	22K	5%	1/16W		R741	1-216-833-11	METAL CHIP	10K	5%	1/16W	
R573	1-216-838-11	METAL CHIP	27K	5%	1/16W		R742	1-216-817-11	METAL CHIP	470	5%	1/16W	
R574	1-216-797-11	METAL CHIP	10	5%	1/16W		R743	1-216-833-11	METAL CHIP	10K	5%	1/16W	
R575	1-216-837-11	METAL CHIP	22K	5%	1/16W		R744	1-216-809-11	METAL CHIP	100	5%	1/16W	
R576	1-216-797-11	METAL CHIP	10	5%	1/16W		R745	1-216-809-11	METAL CHIP	100	5%	1/16W	
R577	1-216-837-11	METAL CHIP	22K	5%	1/16W		R746	1-216-809-11	METAL CHIP	100	5%	1/16W	
R578	1-216-838-11	METAL CHIP	27K	5%	1/16W		R747	1-216-809-11	METAL CHIP	100	5%	1/16W	
R579	1-216-837-11	METAL CHIP	22K	5%	1/16W		R748	1-216-809-11	METAL CHIP	100	5%	1/16W	
R580	1-216-797-11	METAL CHIP	10	5%	1/16W								
R581	1-216-797-11	METAL CHIP	10	5%	1/16W								
R582	1-216-833-11	METAL CHIP	10K	5%	1/16W								< RESISTOR NETWORK >
R583	1-216-833-11	METAL CHIP	10K	5%	1/16W		RA301	1-239-416-11	RES, CHIP NETWORK	220			
R584	1-216-831-11	METAL CHIP	6.8K	5%	1/16W		RA302	1-239-416-11	RES, CHIP NETWORK	220			
R585	1-216-833-11	METAL CHIP	10K	5%	1/16W		RA303	1-239-416-11	RES, CHIP NETWORK	220			
R586	1-216-829-11	METAL CHIP	4.7K	5%	1/16W		RA304	1-239-416-11	RES, CHIP NETWORK	220			
R587	1-216-833-11	METAL CHIP	10K	5%	1/16W		RA305	1-239-416-11	RES, CHIP NETWORK	220			
R590	1-216-833-11	METAL CHIP	10K	5%	1/16W		RA306	1-239-416-11	RES, CHIP NETWORK	220			
R592	1-216-853-11	METAL CHIP	470K	5%	1/16W		RA701	1-239-416-11	RES, CHIP NETWORK	220			
R601	1-216-813-11	METAL CHIP	220	5%	1/16W		RA702	1-239-416-11	RES, CHIP NETWORK	220			
R602	1-216-813-11	METAL CHIP	220	5%	1/16W								
R603	1-216-813-11	METAL CHIP	220	5%	1/16W								

Ref. No.	Part No.	Description	Remarks
		< SWITCH >	
SW701	1-786-204-11	SWITCH, DETECTION	
		< VIBRATOR >	
X301	1-795-349-11	VIBRATOR, CERAMIC (33.8688MHz)	
X701	1-781-136-21	VIBRATOR, CERAMIC (20MHz)	

A-4726-180-A	CDP BOARD, COMPLETE		

		< CAPACITOR >	
C101	1-162-970-11	CERAMIC CHIP 0.01uF	10% 25V
C102	1-128-590-11	ELECT CHIP 100uF	20.00% 6.3V
C103	1-125-837-91	CERAMIC CHIP 1uF	10% 6.3V
C104	1-135-259-11	TANTAL. CHIP 10uF	20.00% 6.3V
C105	1-165-319-11	CERAMIC CHIP 0.1uF	50V
C106	1-164-156-11	CERAMIC CHIP 0.1uF	25V
C107	1-164-346-11	CERAMIC CHIP 1uF	16V
C108	1-164-346-11	CERAMIC CHIP 1uF	16V
C111	1-164-156-11	CERAMIC CHIP 0.1uF	25V
C112	1-164-156-11	CERAMIC CHIP 0.1uF	25V
C114	1-165-319-11	CERAMIC CHIP 0.1uF	50V
C115	1-104-607-11	ELECT CHIP 47uF	20.00% 16V
C116	1-128-590-11	ELECT CHIP 100uF	20.00% 6.3V
C117	1-164-346-11	CERAMIC CHIP 1uF	16V
C118	1-162-967-11	CERAMIC CHIP 0.0033uF	10% 50V
C119	1-128-590-11	ELECT CHIP 100uF	20.00% 6.3V
C120	1-165-319-11	CERAMIC CHIP 0.1uF	50V
C121	1-115-416-11	CERAMIC CHIP 0.001uF	5.00% 25V
C122	1-162-923-11	CERAMIC CHIP 47PF	5% 50V
C123	1-164-315-11	CERAMIC CHIP 470PF	5.00% 50V
C201	1-165-319-11	CERAMIC CHIP 0.1uF	50V
C202	1-115-416-11	CERAMIC CHIP 0.001uF	5.00% 25V
C203	1-165-319-11	CERAMIC CHIP 0.1uF	50V
C204	1-164-346-11	CERAMIC CHIP 1uF	16V
C205	1-164-346-11	CERAMIC CHIP 1uF	16V
C206	1-165-319-11	CERAMIC CHIP 0.1uF	50V
C207	1-162-927-11	CERAMIC CHIP 100PF	5% 50V
C208	1-164-230-11	CERAMIC CHIP 220PF	5.00% 50V
C209	1-164-346-11	CERAMIC CHIP 1uF	16V
C210	1-164-156-11	CERAMIC CHIP 0.1uF	25V
C210	1-165-319-11	CERAMIC CHIP 0.1uF	50V
C211	1-162-927-11	CERAMIC CHIP 100PF	5% 50V
C212	1-164-346-11	CERAMIC CHIP 1uF	16V
C214	1-165-319-11	CERAMIC CHIP 0.1uF	50V
C215	1-165-176-11	CERAMIC CHIP 0.047uF	10.00% 16V
C216	1-164-217-11	CERAMIC CHIP 150PF	5.00% 50V
C217	1-162-967-11	CERAMIC CHIP 0.0033uF	10% 50V
C218	1-164-230-11	CERAMIC CHIP 220PF	5.00% 50V
C219	1-165-176-11	CERAMIC CHIP 0.047uF	10.00% 16V
C220	1-162-970-11	CERAMIC CHIP 0.01uF	10% 25V
C221	1-162-919-11	CERAMIC CHIP 22PF	5% 50V
C222	1-162-919-11	CERAMIC CHIP 22PF	5% 50V
C223	1-162-970-11	CERAMIC CHIP 0.01uF	10% 25V
C224	1-165-319-11	CERAMIC CHIP 0.1uF	50V
C225	1-162-925-11	CERAMIC CHIP 68PF	5.00% 50V
C226	1-162-925-11	CERAMIC CHIP 68PF	5.00% 50V
C227	1-162-925-11	CERAMIC CHIP 68PF	5.00% 50V

Ref. No.	Part No.	Description	Remarks
C228	1-162-925-11	CERAMIC CHIP 68PF	5.00% 50V
C229	1-165-319-11	CERAMIC CHIP 0.1uF	50V
C301	1-164-346-11	CERAMIC CHIP 1uF	16V
C302	1-126-394-11	ELECT CHIP 10uF	20.00% 16V
C303	1-164-346-11	CERAMIC CHIP 1uF	16V
C304	1-165-589-21	ELECT 220uF	0PF 0V
C305	1-162-926-11	CERAMIC CHIP 82PF	5% 50V
C306	1-165-319-11	CERAMIC CHIP 0.1uF	50V
C308	1-164-346-11	CERAMIC CHIP 1uF	16V
C309	1-164-346-11	CERAMIC CHIP 1uF	16V
C310	1-164-670-11	CERAMIC CHIP 1200PF	5.00% 16V
C311	1-165-319-11	CERAMIC CHIP 0.1uF	50V
C312	1-128-416-11	ELECT CHIP 100uF	20.00% 6.3V
C401	1-164-156-11	CERAMIC CHIP 0.1uF	25V
C402	1-164-156-11	CERAMIC CHIP 0.1uF	25V
C403	1-164-156-11	CERAMIC CHIP 0.1uF	25V
C404	1-165-319-11	CERAMIC CHIP 0.1uF	50V
C405	1-164-156-11	CERAMIC CHIP 0.1uF	25V
C406	1-164-156-11	CERAMIC CHIP 0.1uF	25V
C407	1-164-156-11	CERAMIC CHIP 0.1uF	25V
C408	1-164-156-11	CERAMIC CHIP 0.1uF	25V
C409	1-164-156-11	CERAMIC CHIP 0.1uF	25V
C410	1-128-416-11	ELECT CHIP 100uF	20.00% 6.3V
C411	1-104-607-11	ELECT CHIP 47uF	20.00% 16V
C412	1-164-156-11	CERAMIC CHIP 0.1uF	25V
C414	1-165-176-11	CERAMIC CHIP 0.047uF	10.00% 16V
C415	1-165-591-21	CERAMIC(SMD) 0.08uF	0PF 0V
C416	1-165-591-21	CERAMIC(SMD) 0.08uF	0PF 0V
C417	1-165-319-11	CERAMIC CHIP 0.1uF	50V
C419	1-110-563-11	CERAMIC CHIP 0.068uF	10.00% 16V
C421	1-165-319-11	CERAMIC CHIP 0.1uF	50V
C423	1-126-394-11	ELECT CHIP 10uF	20.00% 16V
C424	1-164-156-11	CERAMIC CHIP 0.1uF	25V
C501	1-163-231-11	CERAMIC CHIP 15PF	5.00% 50V
C502	1-163-231-11	CERAMIC CHIP 15PF	5.00% 50V
C504	1-128-590-11	ELECT CHIP 100uF	20.00% 6.3V
C505	1-164-156-11	CERAMIC CHIP 0.1uF	25V
C506	1-165-319-11	CERAMIC CHIP 0.1uF	50V
C507	1-128-590-11	ELECT CHIP 100uF	20.00% 6.3V
C508	1-165-319-11	CERAMIC CHIP 0.1uF	50V
C509	1-164-156-11	CERAMIC CHIP 0.1uF	25V
C510	1-164-346-11	CERAMIC CHIP 1uF	16V
C511	1-165-319-11	CERAMIC CHIP 0.1uF	50V
C512	1-165-319-11	CERAMIC CHIP 0.1uF	50V
C513	1-165-319-11	CERAMIC CHIP 0.1uF	50V
C514	1-162-970-11	CERAMIC CHIP 0.01uF	10% 25V
C602	1-165-319-11	CERAMIC CHIP 0.1uF	50V
C604	1-165-319-11	CERAMIC CHIP 0.1uF	50V
C605	1-128-590-11	ELECT CHIP 100uF	20.00% 6.3V
C701	1-164-156-11	CERAMIC CHIP 0.1uF	25V
C702	1-164-156-11	CERAMIC CHIP 0.1uF	25V
C703	1-164-156-11	CERAMIC CHIP 0.1uF	25V
C704	1-162-970-11	CERAMIC CHIP 0.01uF	10% 25V
C705	1-162-970-11	CERAMIC CHIP 0.01uF	10% 25V
C706	1-162-970-11	CERAMIC CHIP 0.01uF	10% 25V
C707	1-162-970-11	CERAMIC CHIP 0.01uF	10% 25V
C708	1-162-970-11	CERAMIC CHIP 0.01uF	10% 25V
C709	1-162-970-11	CERAMIC CHIP 0.01uF	10% 25V
C710	1-162-970-11	CERAMIC CHIP 0.01uF	10% 25V

Ref. No.	Part No.	Description	Remarks	Ref. No.	Part No.	Description	Remarks
C711	1-162-970-11	CERAMIC CHIP	0.01uF 10% 25V			< RESISTOR >	
C712	1-162-927-11	CERAMIC CHIP	100PF 5% 50V				
C713	1-162-927-11	CERAMIC CHIP	100PF 5% 50V	R101	1-216-799-11	METAL CHIP	15 5% 1/16W
C714	1-162-927-11	CERAMIC CHIP	100PF 5% 50V	R102	1-216-799-11	METAL CHIP	15 5% 1/16W
				R103	1-216-801-11	METAL CHIP	22 5% 1/16W
C715	1-162-927-11	CERAMIC CHIP	100PF 5% 50V	R104	1-216-835-11	METAL CHIP	15K 5% 1/16W
C719	1-162-970-11	CERAMIC CHIP	0.01uF 10% 25V	R105	1-216-835-11	METAL CHIP	15K 5% 1/16W
C720	1-162-970-11	CERAMIC CHIP	0.01uF 10% 25V				
C721	1-162-970-11	CERAMIC CHIP	0.01uF 10% 25V	R106	1-216-864-91	SHORT	0
C722	1-162-970-11	CERAMIC CHIP	0.01uF 10% 25V	R107	1-216-846-11	METAL CHIP	120K 5% 1/16W
				R108	1-216-848-11	METAL CHIP	180K 5% 1/16W
C723	1-162-970-11	CERAMIC CHIP	0.01uF 10% 25V	R113	1-216-821-11	METAL CHIP	1K 5% 1/16W
C724	1-162-927-11	CERAMIC CHIP	100PF 5% 50V	R122	1-216-839-11	METAL CHIP	33K 5% 1/16W
C725	1-162-927-11	CERAMIC CHIP	100PF 5% 50V				
C726	1-162-927-11	CERAMIC CHIP	100PF 5% 50V	R124	1-216-833-11	METAL CHIP	10K 5% 1/16W
C727	1-162-927-11	CERAMIC CHIP	100PF 5% 50V	R125	1-216-833-11	METAL CHIP	10K 5% 1/16W
				R126	1-216-833-11	METAL CHIP	10K 5% 1/16W
C728	1-162-927-11	CERAMIC CHIP	100PF 5% 50V	R127	1-216-845-11	METAL CHIP	100K 5% 1/16W
C729	1-162-927-11	CERAMIC CHIP	100PF 5% 50V	R128	1-216-843-11	METAL CHIP	68K 5% 1/16W
C730	1-164-156-11	CERAMIC CHIP	0.1uF 25V				
		< DIODE >		R131	1-216-833-11	METAL CHIP	10K 5% 1/16W
D201	8-719-084-78	DIODE KDS121		R132	1-216-831-11	METAL CHIP	6.8K 5% 1/16W
D502	8-719-084-79	DIODE KDS187		R133	1-216-833-11	METAL CHIP	10K 5% 1/16W
		< IC >		R139	1-216-825-11	METAL CHIP	2.2K 5% 1/16W
				R140	1-216-825-11	METAL CHIP	2.2K 5% 1/16W
IC101	8-752-089-73	IC CXA2581N		R146	1-216-828-11	METAL CHIP	3.9K 5% 1/16W
IC201	-----	IC CXD3011-1R		R147	1-216-864-91	SHORT	0
IC301	6-700-343-01	IC M56788FP		R148	1-216-864-91	SHORT	0
IC302	8-759-082-61	IC TC4W53FU(TE12R)		R201	1-216-837-11	METAL CHIP	22K 5% 1/16W
IC401	6-700-344-01	IC LB1195H-TLM		R202	1-216-839-11	METAL CHIP	33K 5% 1/16W
IC402	8-759-710-55	IC NJM2100M-TE1		R203	1-216-833-11	METAL CHIP	10K 5% 1/16W
IC403	8-759-710-55	IC NJM2100M-TE1		R208	1-216-839-11	METAL CHIP	33K 5% 1/16W
IC501	6-800-236-01	IC HD64F3062AFBL-CD		R213	1-216-837-11	METAL CHIP	22K 5% 1/16W
IC502	6-700-342-01	IC XC61AN3002		R214	1-216-833-11	METAL CHIP	10K 5% 1/16W
IC601	8-759-458-10	IC BA3939-E2		R216	1-216-839-11	METAL CHIP	33K 5% 1/16W
IC602	8-759-300-71	IC BU4053BCF		R217	1-216-843-11	METAL CHIP	68K 5% 1/16W
		< COIL >		R218	1-216-847-11	METAL CHIP	150K 5% 1/16W
L203	1-400-090-21	INDUCTOR (SMD), FERRITE BEAD		R222	1-216-827-11	METAL CHIP	3.3K 5% 1/16W
L401	1-412-058-11	INDUCTOR CHIP 10uH		R223	1-216-827-11	METAL CHIP	3.3K 5% 1/16W
L501	1-412-058-11	INDUCTOR CHIP 10uH		R224	1-216-833-11	METAL CHIP	10K 5% 1/16W
		< CONNECTOR >		R227	1-216-839-11	METAL CHIP	33K 5% 1/16W
PN201	1-784-376-11	CONNECTOR, FFC/FPC 17P		R228	1-216-833-11	METAL CHIP	10K 5% 1/16W
PN301	1-784-364-21	CONNECTOR, FFC/FPC 4P		R229	1-216-845-11	METAL CHIP	100K 5% 1/16W
PN401	1-793-989-21	CONNECTOR, FFC/FPC 13P		R230	1-216-809-11	METAL CHIP	100 5% 1/16W
PN601	1-815-767-11	SOCKET, CONNECTOR 8P		R231	1-216-809-11	METAL CHIP	100 5% 1/16W
PN602	1-815-766-11	SOCKET, CONNECTOR 9P		R232	1-216-806-11	RES, CHIP	56 5% 1/16W
				R233	1-216-806-11	RES, CHIP	56 5% 1/16W
PN603	1-815-768-11	SOCKET, CONNECTOR 10P		R234	1-216-817-11	METAL CHIP	470 5% 1/16W
PN604	1-815-765-11	SOCKET, CONNECTOR 6P		R235	1-216-809-11	METAL CHIP	100 5% 1/16W
PN605	1-784-383-21	CONNECTOR, FFC/FPC 26P		R236	1-216-809-11	METAL CHIP	100 5% 1/16W
* PN609	1-564-704-11	PIN, CONNECTOR (SMALL TYPE) 2P		R237	1-216-822-11	METAL CHIP	1.2K 5% 1/16W
		< TRANSISTOR >		R239	1-216-809-11	METAL CHIP	100 5% 1/16W
Q101	8-729-026-48	TRANSISTOR 2SA1037AK-T146-Q		R241	1-216-809-11	METAL CHIP	100 5% 1/16W
Q102	1-801-806-11	TRANSISTOR DTC144EKA		R242	1-216-809-11	METAL CHIP	100 5% 1/16W
Q104	8-729-027-38	TRANSISTOR DTA144EKA-T146		R301	1-216-842-11	METAL CHIP	56K 5% 1/16W
Q105	1-801-806-11	TRANSISTOR DTC144EKA					
Q401	8-729-056-33	TRANSISTOR KTD1304S		R302	1-216-847-11	METAL CHIP	150K 5% 1/16W
				R303	1-216-821-11	METAL CHIP	1K 5% 1/16W
Q403	8-729-056-33	TRANSISTOR KTD1304S		R304	1-216-827-11	RES, CHIP	3.3K 5% 1/16W
				R305	1-216-845-11	METAL CHIP	100K 5% 1/16W
				R306	1-216-845-11	METAL CHIP	100K 5% 1/16W
				R307	1-216-842-11	METAL CHIP	56K 5% 1/16W
				R308	1-216-847-11	METAL CHIP	150K 5% 1/16W
				R310	1-216-837-11	METAL CHIP	22K 5% 1/16W

Ref. No.	Part No.	Description	Quantity	Unit	Percentage	Remarks	Ref. No.	Part No.	Description	Quantity	Unit	Percentage	Remarks
R311	1-216-809-11	METAL CHIP	100		5%	1/16W	R517	1-216-821-11	METAL CHIP	1K		5%	1/16W
R312	1-216-837-11	METAL CHIP	22K		5%	1/16W	R518	1-216-815-11	METAL CHIP	330		5%	1/16W
R313	1-216-837-11	METAL CHIP	22K		5%	1/16W	R519	1-216-815-11	METAL CHIP	330		5%	1/16W
R314	1-216-809-11	METAL CHIP	100		5%	1/16W	R520	1-216-821-11	METAL CHIP	1K		5%	1/16W
R315	1-216-838-11	METAL CHIP	27K		5%	1/16W	R521	1-216-821-11	METAL CHIP	1K		5%	1/16W
R316	1-216-837-11	METAL CHIP	22K		5%	1/16W	R522	1-216-827-11	METAL CHIP	3.3K		5%	1/16W
R317	1-216-837-11	METAL CHIP	22K		5%	1/16W	R523	1-216-833-11	METAL CHIP	10K		5%	1/16W
R318	1-216-825-11	METAL CHIP	2.2K		5%	1/16W	R524	1-216-817-11	METAL CHIP	470		5%	1/16W
R319	1-216-825-11	METAL CHIP	2.2K		5%	1/16W	R525	1-216-838-11	METAL CHIP	27K		5%	1/16W
R402	1-216-841-11	METAL CHIP	47K		5%	1/16W	R526	1-216-844-11	METAL CHIP	82K		5%	1/16W
R403	1-216-809-11	METAL CHIP	100		5%	1/16W	R527	1-216-833-11	METAL CHIP	10K		5%	1/16W
R404	1-216-821-11	METAL CHIP	1K		5%	1/16W	R531	1-216-864-91	SHORT	0			
R405	1-216-821-11	METAL CHIP	1K		5%	1/16W	R532	1-216-833-11	METAL CHIP	10K		5%	1/16W
R406	1-216-811-11	METAL CHIP	150		5%	1/16W	R533	1-216-827-11	METAL CHIP	3.3K		5%	1/16W
R407	1-216-811-11	METAL CHIP	150		5%	1/16W	R535	1-216-815-11	METAL CHIP	330		5%	1/16W
R408	1-244-378-21	CARBON(SMD)(3216)					R536	1-216-809-11	METAL CHIP	100		5%	1/16W
R409	1-244-378-21	CARBON(SMD)(3216)					R537	1-216-809-11	METAL CHIP	100		5%	1/16W
R410	1-244-378-21	CARBON(SMD)(3216)					R538	1-216-837-11	METAL CHIP	22K		5%	1/16W
R411	1-216-827-11	METAL CHIP	3.3K		5%	1/16W	R539	1-216-833-11	METAL CHIP	10K		5%	1/16W
R412	1-216-827-11	METAL CHIP	3.3K		5%	1/16W	R540	1-216-833-11	METAL CHIP	10K		5%	1/16W
R413	1-216-827-11	METAL CHIP	3.3K		5%	1/16W	R541	1-216-817-11	METAL CHIP	470		5%	1/16W
R414	1-216-827-11	METAL CHIP	3.3K		5%	1/16W	R542	1-216-817-11	METAL CHIP	470		5%	1/16W
R415	1-216-841-11	METAL CHIP	47K		5%	1/16W	R543	1-216-815-11	METAL CHIP	330		5%	1/16W
R416	1-216-841-11	METAL CHIP	47K		5%	1/16W	R544	1-216-809-11	RES, CHIP	100		5%	1/16W
R417	1-216-817-11	METAL CHIP	470		5%	1/16W	R545	1-216-815-11	METAL CHIP	330		5%	1/16W
R418	1-216-837-11	METAL CHIP	22K		5%	1/16W	R546	1-216-815-11	METAL CHIP	330		5%	1/16W
R419	1-216-840-11	METAL CHIP	39K		5%	1/16W	R547	1-216-809-11	METAL CHIP	100		5%	1/16W
R421	1-216-833-11	METAL CHIP	10K		5%	1/16W	R548	1-216-815-11	METAL CHIP	330		5%	1/16W
R422	1-216-838-11	METAL CHIP	27K		5%	1/16W	R549	1-216-815-11	METAL CHIP	330		5%	1/16W
R423	1-216-833-11	METAL CHIP	10K		5%	1/16W	R550	1-216-815-11	METAL CHIP	330		5%	1/16W
R424	1-216-835-11	METAL CHIP	15K		5%	1/16W	R552	1-216-815-11	METAL CHIP	330		5%	1/16W
R425	1-216-833-11	METAL CHIP	10K		5%	1/16W	R554	1-216-864-91	SHORT	0			
R426	1-216-833-11	METAL CHIP	10K		5%	1/16W	R555	1-216-864-91	SHORT	0			
R427	1-216-825-11	METAL CHIP	2.2K		5%	1/16W	R556	1-216-829-11	METAL CHIP	4.7K		5%	1/16W
R428	1-216-821-11	METAL CHIP	1K		5%	1/16W	R557	1-216-809-11	METAL CHIP	100		5%	1/16W
R429	1-216-825-11	METAL CHIP	2.2K		5%	1/16W	R558	1-216-809-11	METAL CHIP	100		5%	1/16W
R430	1-216-833-11	METAL CHIP	10K		5%	1/16W	R561	1-216-815-11	METAL CHIP	330		5%	1/16W
R431	1-216-833-11	METAL CHIP	10K		5%	1/16W	R562	1-216-829-11	RES, CHIP	4.7K		5%	1/16W
R433	1-216-825-11	METAL CHIP	2.2K		5%	1/16W	R563	1-216-845-11	METAL CHIP	100K		5%	1/16W
R434	1-216-845-11	METAL CHIP	100K		5%	1/16W	R564	1-216-845-11	METAL CHIP	100K		5%	1/16W
R435	1-216-843-11	METAL CHIP	68K		5%	1/16W	R565	1-216-811-11	METAL CHIP	150		5%	1/16W
R436	1-216-825-11	METAL CHIP	2.2K		5%	1/16W	R566	1-216-853-11	METAL CHIP	470K		5%	1/16W
R437	1-216-827-11	METAL CHIP	3.3K		5%	1/16W	R567	1-216-809-11	METAL CHIP	100		5%	1/16W
R501	1-216-815-11	METAL CHIP	330		5%	1/16W	R568	1-216-809-11	METAL CHIP	100		5%	1/16W
R502	1-216-809-11	METAL CHIP	100		5%	1/16W	R601	1-216-829-11	METAL CHIP	4.7K		5%	1/16W
R503	1-216-809-11	METAL CHIP	100		5%	1/16W	R602	1-216-809-11	METAL CHIP	100		5%	1/16W
R504	1-216-815-11	METAL CHIP	330		5%	1/16W	R603	1-216-809-11	METAL CHIP	100		5%	1/16W
R505	1-216-815-11	METAL CHIP	330		5%	1/16W	R604	1-216-809-11	METAL CHIP	100		5%	1/16W
R506	1-216-815-11	METAL CHIP	330		5%	1/16W	R605	1-216-809-11	METAL CHIP	100		5%	1/16W
R507	1-216-809-11	METAL CHIP	100		5%	1/16W	R606	1-216-809-11	METAL CHIP	100		5%	1/16W
R508	1-216-809-11	METAL CHIP	100		5%	1/16W	R607	1-216-809-11	METAL CHIP	100		5%	1/16W
R509	1-216-809-11	METAL CHIP	100		5%	1/16W	R609	1-216-833-11	METAL CHIP	10K		5%	1/16W
R510	1-216-809-11	METAL CHIP	100		5%	1/16W	R610	1-216-864-11	CONDUCTOR CHIP	0			
R511	1-216-833-11	METAL CHIP	10K		5%	1/16W	R611	1-216-864-11	CONDUCTOR CHIP	0			
R512	1-216-815-11	METAL CHIP	330		5%	1/16W			< SWITCH >				
R513	1-216-815-11	METAL CHIP	330		5%	1/16W							
R514	1-216-821-11	METAL CHIP	1K		5%	1/16W	SW001	1-786-204-11	SWITCH, DETECTION				
R515	1-216-821-11	METAL CHIP	1K		5%	1/16W							
R516	1-216-821-11	METAL CHIP	1K		5%	1/16W							

Ref. No.	Part No.	Description	Remarks	Ref. No.	Part No.	Description	Remarks
		< VIBRATOR >		R841	1-249-425-11	CARBON 4.7K 5%	1/4W F
X201	1-795-349-11	VIBRATOR, CERAMIC		R842	1-249-417-11	CARBON 1K 5%	1/4W F
X501	1-781-136-21	VIBRATOR, CERAMIC (20MHZ)		R843	1-249-417-11	CARBON 1K 5%	1/4W F
*****				R844	1-249-417-11	CARBON 1K 5%	1/4W F
	A-4726-179-A	FL BOARD, COMPLETE		R845	1-249-417-11	CARBON 1K 5%	1/4W F
		*****		R846	1-249-425-11	CARBON 4.7K 5%	1/4W F
		< CAPACITOR >		R847	1-249-437-11	CARBON 47K 5%	1/4W
C801	1-164-159-11	CERAMIC 0.1uF	50V	R848	1-249-437-11	CARBON 47K 5%	1/4W
C802	1-164-159-11	CERAMIC 0.1uF	50V	R849	1-249-437-11	CARBON 47K 5%	1/4W
C804	1-126-933-11	ELECT 100uF		R850	1-249-437-11	CARBON 47K 5%	1/4W
C805	1-161-494-00	CERAMIC 0.022uF	25V				
C806	1-161-494-00	CERAMIC 0.022uF	25V			< IC >	
						RMC801 8-749-016-29	IC RPM6938
C807	1-161-494-00	CERAMIC 0.022uF	25V				< SWITCH >
C810	1-164-159-11	CERAMIC 0.1uF	50V	SW803	1-762-875-21	SWITCH, KEYBOARD (NEXT)	
C811	1-162-282-31	CERAMIC 100PF 10%	50V	SW804	1-762-875-21	SWITCH, KEYBOARD (PREV)	
C812	1-162-282-31	CERAMIC 100PF 10%	50V	SW808	1-762-875-21	SWITCH, KEYBOARD (NORMAL)	
C813	1-162-282-31	CERAMIC 100PF 10%	50V	SW810	1-762-875-21	SWITCH, KEYBOARD (INPUT)	
C816	1-162-211-31	CERAMIC 33PF 5%	50V	SW811	1-762-875-21	SWITCH, KEYBOARD (HI-SPEED)	
C817	1-162-211-31	CERAMIC 33PF 5%	50V				
C818	1-164-159-11	CERAMIC 0.1uF	50V	SW812	1-762-875-21	SWITCH, KEYBOARD (ERASE)	
C820	1-164-159-11	CERAMIC 0.1uF	50V	SW813	1-762-875-21	SWITCH, KEYBOARD (FINALIZE)	
C821	1-164-159-11	CERAMIC 0.1uF	50V	SW814	1-762-875-21	SWITCH, KEYBOARD (TIME)	
C822	1-164-159-11	CERAMIC 0.1uF	50V	SW815	1-762-875-21	SWITCH, KEYBOARD (OPEN/CLOSE)	
C823	1-164-159-11	CERAMIC 0.1uF	50V	SW816	1-762-875-21	SWITCH, KEYBOARD (TIME)	
C826	1-164-159-11	CERAMIC 0.1uF	50V				
		< CONNECTOR >		SW817	1-762-875-21	SWITCH, KEYBOARD (PREV)	
C803	1-695-823-11	CONNECTOR, BOARD TO BOARD 8P		SW818	1-762-875-21	SWITCH, KEYBOARD (NEXT)	
		< FLUORESCENT INDICATOR >		SW819	1-762-875-21	SWITCH, KEYBOARD (REPLAY)	
FL801	1-518-766-11	INDICATOR TUBE, FLUORESCENT		SW820	1-762-875-21	SWITCH, KEYBOARD (PAUSE)	
		< IC >		SW821	1-762-875-21	SWITCH, KEYBOARD (PLAY)	
IC801	6-800-228-01	IC UPD780232GC-LG1		SW822	1-762-875-21	SWITCH, KEYBOARD (STOP)	
IC802	8-759-971-11	IC KIA7042P-TP		*****			
		< RESISTOR >			A-4726-177-A	HP BOARD, COMPLETE	
R803	1-247-843-11	CARBON 3.3K 5%	1/4W			*****	
R804	1-249-424-11	CARBON 3.9K 5%	1/4W F			< JACK >	
R807	1-249-420-11	CARBON 1.8K 5%	1/4W F	JK802	1-815-702-11	JACK (LARGE TYPE)	
R808	1-249-422-11	CARBON 2.7K 5%	1/4W F			< CONNECTOR >	
R809	1-247-843-11	CARBON 3.3K 5%	1/4W	* PN802	1-564-705-11	PIN, CONNECTOR (SMALL TYPE) 3P	
R810	1-249-424-11	CARBON 3.9K 5%	1/4W F	PN901	1-815-703-11	PIN, CONNECTOR 2P	
R811	1-249-426-11	CARBON 5.6K 5%	1/4W			< POWER SWITCH >	
R812	1-249-428-11	CARBON 8.2K 5%	1/4W F	PW801	1-786-194-11	SWITCH, POWER	
R813	1-249-420-11	CARBON 1.8K 5%	1/4W F			< VARIABLE RESISTOR >	
R814	1-249-422-11	CARBON 2.7K 5%	1/4W F	RV801	1-227-425-11	RES, VAR 50K/50K	
R815	1-247-843-11	CARBON 3.3K 5%	1/4W	*****			
R816	1-249-424-11	CARBON 3.9K 5%	1/4W F		A-4735-113-A	MAIN BOARD, COMPLETE	
R817	1-249-426-11	CARBON 5.6K 5%	1/4W			*****	
R818	1-249-428-11	CARBON 8.2K 5%	1/4W F			< FERRITE BEAD INDUCTOR >	
R819	1-249-431-11	CARBON 15K 5%	1/4W	BC101	1-400-104-11	INDUCTOR, FERRITE BEAD	
R820	1-249-432-11	CARBON 18K 5%	1/4W				
R821	1-249-432-11	CARBON 18K 5%	1/4W				
R822	1-249-432-11	CARBON 18K 5%	1/4W				
R833	1-247-807-31	CARBON 100 5%	1/4W				
R834	1-247-843-11	CARBON 3.3K 5%	1/4W				

MAIN

Ref. No.	Part No.	Description	Remarks	Ref. No.	Part No.	Description	Remarks
< CAPACITOR >				C222	1-115-419-11	CERAMIC CHIP	3300PF 5% 25V
C101	1-126-947-11	ELECT	47MF 20% 35V	C223	1-104-665-11	ELECT	100MF 20% 10V
C102	1-163-275-11	CERAMIC	1000PF 5% 50V	C224	1-104-665-11	ELECT	100MF 20% 10V
C103	1-126-963-11	ELECT	4.7MF 20% 50V	C225	1-163-139-00	CERAMIC CHIP	820PF 5% 50V
C104	1-163-275-11	CERAMIC	1000PF 5% 50V	C227	1-163-139-00	CERAMIC CHIP	820PF 5% 50V
C105	1-163-038-91	CERAMIC	100000PF 25V	C229	1-163-038-91	CERAMIC	100000PF 25V
C106	1-126-947-11	ELECT	47MF 20% 35V	C231	1-126-965-11	ELECT	22MF 20% 50V
C108	1-163-038-91	CERAMIC	100000PF 25V	C236	1-165-590-11	CAP, PETE FILM	0.0039MF
C109	1-163-021-91	CERAMIC	0.01MF 10% 50V	C237	1-165-590-11	CAP, PETE FILM	0.0039MF
C110	1-163-038-91	CERAMIC	100000PF 25V	C245	1-163-038-91	CERAMIC	100000PF 25V
C114	1-126-965-11	ELECT	22MF 20% 50V	C247	1-163-251-11	CERAMIC CHIP	100PF 5% 50V
C115	1-126-965-11	ELECT	22MF 20% 50V	C248	1-163-251-11	CERAMIC CHIP	100PF 5% 50V
C116	1-126-965-11	ELECT	22MF 20% 50V	C252	1-163-243-11	CERAMIC CHIP	47PF 5% 50V
C117	1-126-965-11	ELECT	22MF 20% 50V	C401	1-126-947-11	ELECT	47MF 20% 35V
C118	1-163-251-11	CERAMIC CHIP	100PF 5% 50V	C402	1-163-038-91	CERAMIC	100000PF 25V
C119	1-163-038-91	CERAMIC	100000PF 25V	C404	1-163-038-91	CERAMIC	100000PF 25V
C120	1-126-947-11	ELECT	47MF 20% 35V	C405	1-126-947-11	ELECT	47MF 20% 35V
C121	1-163-251-11	CERAMIC CHIP	100PF 5% 50V	C406	1-126-935-11	ELECT	470MF 20% 6.3V
C122	1-163-038-91	CERAMIC	100000PF 25V	C407	1-163-038-91	CERAMIC	100000PF 25V
C123	1-126-947-11	ELECT	47MF 20% 35V	C408	1-104-665-11	ELECT	100MF 20% 10V
C124	1-163-251-11	CERAMIC CHIP	100PF 5% 50V	C409	1-104-665-11	ELECT	100MF 20% 10V
C125	1-163-251-11	CERAMIC CHIP	100PF 5% 50V	C411	1-126-933-11	ELECT	100MF 20% 16V
C126	1-163-038-91	CERAMIC	100000PF 25V	C412	1-126-933-11	ELECT	100MF 20% 16V
C127	1-126-947-11	ELECT	47MF 20% 35V	C413	1-104-665-11	ELECT	100MF 20% 10V
C128	1-163-038-91	CERAMIC	100000PF 25V	C414	1-104-665-11	ELECT	100MF 20% 10V
C129	1-126-947-11	ELECT	47MF 20% 35V	C415	1-115-419-11	CERAMIC CHIP	3300PF 5% 25V
C130	1-163-259-91	CERAMIC CHIP	220PF 5% 50V	C416	1-163-139-00	CERAMIC CHIP	820PF 5% 50V
C131	1-126-965-11	ELECT	22MF 20% 50V	C417	1-163-139-00	CERAMIC CHIP	820PF 5% 50V
C132	1-163-259-91	CERAMIC CHIP	220PF 5% 50V	C418	1-115-419-11	CERAMIC CHIP	3300PF 5% 25V
C133	1-126-965-11	ELECT	22MF 20% 50V	C419	1-163-139-00	CERAMIC CHIP	820PF 5% 50V
C134	1-163-038-91	CERAMIC	100000PF 25V	C424	1-163-139-00	CERAMIC CHIP	820PF 5% 50V
C135	1-163-038-91	CERAMIC	100000PF 25V	C425	1-126-965-11	ELECT	22MF 20% 50V
C136	1-163-038-91	CERAMIC	100000PF 25V	C426	1-126-965-11	ELECT	22MF 20% 50V
C137	1-163-038-91	CERAMIC	100000PF 25V	C429	1-163-259-91	CERAMIC CHIP	220PF 5% 50V
C138	1-163-038-91	CERAMIC	100000PF 25V	C430	1-163-259-91	CERAMIC CHIP	220PF 5% 50V
C139	1-163-038-91	CERAMIC	100000PF 25V	C471	1-126-933-11	ELECT	100MF 20% 16V
C140	1-163-038-91	CERAMIC	100000PF 25V	C472	1-126-933-11	ELECT	100MF 20% 16V
C141	1-163-038-91	CERAMIC	100000PF 25V	C473	1-163-038-91	CERAMIC	100000PF 25V
C142	1-163-038-91	CERAMIC	100000PF 25V	C474	1-163-038-91	CERAMIC	100000PF 25V
C143	1-163-038-91	CERAMIC	100000PF 25V	< IC >			
C144	1-163-038-91	CERAMIC	100000PF 25V	IC102	8-759-710-97	IC NJM4565M(TE2)	
C145	1-163-038-91	CERAMIC	100000PF 25V	IC103	8-759-710-97	IC NJM4565M(TE2)	
C202	1-126-933-11	ELECT	100MF 20% 16V	IC104	8-759-064-92	IC NJM5532M-D	
C203	1-163-139-00	CERAMIC CHIP	820PF 5% 50V	IC105	8-759-650-48	IC AK4393VF-E2	
C204	1-126-947-11	ELECT	47MF 20% 35V	IC106	8-759-644-49	IC 74HCU04D	
C205	1-126-947-11	ELECT	47MF 20% 35V	IC108	8-759-448-71	IC BU4053BCFV-E2	
C206	1-163-038-91	CERAMIC	100000PF 25V	IC109	8-759-448-71	IC BU4053BCFV-E2	
C207	1-163-038-91	CERAMIC	100000PF 25V	IC110	8-759-448-71	IC BU4053BCFV-E2	
C208	1-163-038-91	CERAMIC	100000PF 25V	IC111	8-759-448-71	IC BU4053BCFV-E2	
C209	1-126-935-11	ELECT	470MF 20% 6.3V	IC112	6-700-345-01	IC AK5351	
C210	1-104-665-11	ELECT	100MF 20% 10V	IC401	8-759-650-48	IC AK4393VF-E2	
C211	1-104-665-11	ELECT	100MF 20% 10V	IC404	8-759-064-92	IC NJM5532M-D	
C212	1-126-933-11	ELECT	100MF 20% 16V	IC406	8-759-194-97	IC NJM4560MD	
C213	1-115-419-11	CERAMIC CHIP	3300PF 5% 25V	< JACK >			
C214	1-163-251-11	CERAMIC CHIP	100PF 5% 50V	JK101	1-815-706-11	JACK, PIN 6P	
C217	1-104-666-11	ELECT	220MF 20% 25V	JK103	8-749-921-12	IC GP1F32T	
C218	1-163-139-00	CERAMIC CHIP	820PF 5% 50V	JK104	8-749-921-12	IC GP1F32T	
C220	1-126-965-11	ELECT	22MF 20% 50V	JK105	8-749-019-69	IC TORX178	
C221	1-115-419-11	CERAMIC CHIP	3300PF 5% 50V				

Ref. No.	Part No.	Description	Remarks	Ref. No.	Part No.	Description	Remarks
		< COIL >		R138	1-216-061-91	RES, CHIP	3.3K 5% 1/10W
				R140	1-216-049-11	RES, CHIP	1.0K 5% 1/10W
L103	1-400-091-21	INDUCTOR (SMD), FERRITE BEAD		R141	1-216-061-91	RES, CHIP	3.3K 5% 1/10W
L104	1-400-091-21	INDUCTOR (SMD), FERRITE BEAD		R142	1-216-025-11	RES, CHIP	100 5% 1/10W
		< RELAY >		R143	1-216-009-91	RES, CHIP	22 5% 1/10W
				R144	1-216-009-91	RES, CHIP	22 5% 1/10W
LY402	1-755-443-11	RELAY		R145	1-216-061-91	RES, CHIP	3.3K 5% 1/10W
		< CONNECTOR >		R146	1-216-061-91	RES, CHIP	3.3K 5% 1/10W
				R147	1-216-061-91	RES, CHIP	3.3K 5% 1/10W
PN105	1-784-375-21	CONNECTOR, FFC/FPC 16P		R201	1-216-073-91	RES, CHIP	10K 5% 1/10W
PN401	1-564-705-11	PIN, CONNECTOR (SMALL TYPE) 3P		R202	1-216-049-11	RES, CHIP	1.0K 5% 1/10W
		< TRANSISTOR >		R203	1-216-065-19	RES, CHIP	4.7K 5% 1/10W
				R204	1-216-049-11	RES, CHIP	1.0K 5% 1/10W
Q202	8-729-036-95	TRANSISTOR KTC3198GR-A		R205	1-216-063-19	RES, CHIP	3.9K 5% 1/10W
Q204	8-729-016-64	TRANSISTOR KTD1302		R206	1-216-073-91	RES, CHIP	10K 5% 1/10W
Q205	8-729-037-16	TRANSISTOR KRA103M-AT					
Q206	8-729-036-95	TRANSISTOR KTC3198GR-A		R208	1-216-051-00	RES, CHIP	1.2K 5% 1/10W
Q207	8-729-016-64	TRANSISTOR KTD1302		R209	1-216-051-00	RES, CHIP	1.2K 5% 1/10W
				R210	1-216-053-00	RES, CHIP	1.5K 5% 1/10W
Q208	8-729-016-64	TRANSISTOR KTD1302		R211	1-216-049-11	RES, CHIP	1.0K 5% 1/10W
Q401	8-729-036-95	TRANSISTOR KTC3198GR-A		R212	1-216-049-11	RES, CHIP	1.0K 5% 1/10W
Q402	8-729-036-95	TRANSISTOR KTC3198GR-A					
Q403	8-729-016-64	TRANSISTOR KTD1302		R213	1-216-053-00	RES, CHIP	1.5K 5% 1/10W
Q404	8-729-016-64	TRANSISTOR KTD1302		R214	1-216-049-11	RES, CHIP	1.0K 5% 1/10W
				R215	1-216-051-00	RES, CHIP	1.2K 5% 1/10W
Q405	8-729-037-16	TRANSISTOR KRA103M-AT		R216	1-216-051-00	RES, CHIP	1.2K 5% 1/10W
Q410	8-729-036-95	TRANSISTOR KTC3198GR-A		R217	1-216-053-00	RES, CHIP	1.5K 5% 1/10W
Q411	8-729-036-95	TRANSISTOR KTC3198GR-A					
		< RESISTOR >		R219	1-216-053-00	RES, CHIP	1.5K 5% 1/10W
R101	1-216-017-91	RES, CHIP	47 5% 1/10W	R222	1-216-049-11	RES, CHIP	1.0K 5% 1/10W
R102	1-216-017-91	RES, CHIP	47 5% 1/10W	R223	1-216-049-11	RES, CHIP	1.0K 5% 1/10W
R103	1-216-017-91	RES, CHIP	47 5% 1/10W	R224	1-216-049-11	RES, CHIP	1.0K 5% 1/10W
R104	1-216-041-00	RES, CHIP	470 5% 1/10W	R226	1-216-059-00	RES, CHIP	2.7K 5% 1/10W
R105	1-216-037-00	RES, CHIP	330 5% 1/10W				
				R228	1-216-049-11	RES, CHIP	1.0K 5% 1/10W
R106	1-216-037-00	RES, CHIP	330 5% 1/10W	R229	1-216-065-19	RES, CHIP	4.7K 5% 1/10W
R107	1-216-037-00	RES, CHIP	330 5% 1/10W	R230	1-216-071-00	RES, CHIP	8.2K 5% 1/10W
R111	1-216-037-00	RES, CHIP	330 5% 1/10W	R231	1-216-071-00	RES, CHIP	8.2K 5% 1/10W
R112	1-216-089-11	RES, CHIP	47K 5% 1/10W	R236	1-216-041-00	RES, CHIP	470 5% 1/10W
R113	1-216-089-11	RES, CHIP	47K 5% 1/10W				
				R237	1-216-041-00	RES, CHIP	470 5% 1/10W
R114	1-216-089-11	RES, CHIP	47K 5% 1/10W	R238	1-216-049-11	RES, CHIP	1.0K 5% 1/10W
R115	1-216-089-11	RES, CHIP	47K 5% 1/10W	R239	1-216-049-11	RES, CHIP	1.0K 5% 1/10W
R116	1-216-073-91	RES, CHIP	10K 5% 1/10W	R249	1-216-065-19	RES, CHIP	4.7K 5% 1/10W
R117	1-216-295-91	CONDUCTOR, CHIP (2012)		R264	1-216-009-91	RES, CHIP	22 5% 1/10W
R118	1-216-073-91	RES, CHIP	10K 5% 1/10W				
				R266	1-216-057-00	RES, CHIP	2.2K 5% 1/10W
R119	1-216-073-91	RES, CHIP	10K 5% 1/10W	R401	1-216-049-11	RES, CHIP	1.0K 5% 1/10W
R120	1-216-065-19	RES, CHIP	4.7K 5% 1/10W	R402	1-216-073-91	RES, CHIP	10K 5% 1/10W
R121	1-216-065-19	RES, CHIP	4.7K 5% 1/10W	R403	1-216-073-91	RES, CHIP	10K 5% 1/10W
R124	1-216-073-91	RES, CHIP	10K 5% 1/10W	R404	1-216-073-91	RES, CHIP	10K 5% 1/10W
R125	1-216-073-91	RES, CHIP	10K 5% 1/10W				
				R405	1-216-051-00	RES, CHIP	1.2K 5% 1/10W
R126	1-216-061-91	RES, CHIP	3.3K 5% 1/10W	R406	1-216-051-00	RES, CHIP	1.2K 5% 1/10W
R127	1-216-061-91	RES, CHIP	3.3K 5% 1/10W	R407	1-216-053-00	RES, CHIP	1.5K 5% 1/10W
R128	1-216-059-00	RES, CHIP	2.7K 5% 1/10W	R408	1-216-049-11	RES, CHIP	1.0K 5% 1/10W
R129	1-216-059-00	RES, CHIP	2.7K 5% 1/10W	R413	1-216-049-11	RES, CHIP	1.0K 5% 1/10W
R132	1-216-081-00	RES, CHIP	22K 5% 1/10W				
				R414	1-216-053-00	RES, CHIP	1.5K 5% 1/10W
R133	1-216-065-19	RES, CHIP	4.7K 5% 1/10W	R415	1-216-051-00	RES, CHIP	1.2K 5% 1/10W
R134	1-216-081-00	RES, CHIP	22K 5% 1/10W	R416	1-216-051-00	RES, CHIP	1.2K 5% 1/10W
R135	1-216-009-91	RES, CHIP	22 5% 1/10W	R417	1-216-049-11	RES, CHIP	1.0K 5% 1/10W
R136	1-216-009-91	RES, CHIP	22 5% 1/10W	R419	1-216-053-00	RES, CHIP	1.5K 5% 1/10W
R137	1-216-049-11	RES, CHIP	1.0K 5% 1/10W				
				R420	1-216-053-00	RES, CHIP	1.5K 5% 1/10W
				R421	1-216-049-11	RES, CHIP	1.0K 5% 1/10W
				R422	1-216-049-11	RES, CHIP	1.0K 5% 1/10W
				R424	1-216-049-11	RES, CHIP	1.0K 5% 1/10W
				R425	1-216-049-11	RES, CHIP	1.0K 5% 1/10W

MAIN **POWER** **VOL**

Ref. No.	Part No.	Description	Remarks
R427	1-216-081-00	RES, CHIP 22K 5%	1/10W
R428	1-216-081-00	RES, CHIP 22K 5%	1/10W
R429	1-216-041-00	RES, CHIP 470 5%	1/10W
R430	1-216-041-00	RES, CHIP 470 5%	1/10W
R431	1-216-079-00	RES, CHIP 18K 5%	1/10W
R432	1-216-061-91	RES, CHIP 3.3K 5%	1/10W
R433	1-216-079-00	RES, CHIP 18K 5%	1/10W
R434	1-216-061-91	RES, CHIP 3.3K 5%	1/10W
R451	1-216-073-91	RES, CHIP 10K 5%	1/10W
R475	1-216-039-00	RES, CHIP 390 5%	1/10W
R476	1-216-009-91	RES, CHIP 22 5%	1/10W
R477	1-216-009-91	RES, CHIP 22 5%	1/10W
R478	1-216-039-00	RES, CHIP 390 5%	1/10W
R901	1-244-389-11	RES, METAL PLATE 2.7K	

A-4735-112-A	POWER BOARD, COMPLETE *****		
7-685-545-14	TAPPING SCREW :B 3X6, TYPE 2 < DIODE >		
BD901	8-719-085-14	DIODE S1WBA60 < DIODE >	
D902	8-719-085-16	DIODE EU01W	
D906	8-719-085-15	DIODE RU3YXLF-C1	
D907	8-719-085-16	DIODE EU01W	
D908	8-719-085-16	DIODE EU01W	
D909	8-719-085-17	DIODE B10A45V1	
D910	8-719-085-16	DIODE EU01W	
D920	8-719-085-16	DIODE EU01W	
< FUSE >			
△ F901	1-576-533-11	FUSE	
< IC >			
IC901	6-700-520-01	IC STR-G6153T	
IC902	6-700-521-01	IC PS2561-1-V	
IC904	6-700-522-01	IC KIA431	
IC905	8-759-189-48	IC KA78R12TU	
IC906	6-700-523-01	IC KA7912	
IC907	8-759-347-19	IC KIA7812PI	
< DIODE >			
ZD901	8-719-109-85	DIODE MTZJ-5.1B	

A-4726-178-A	VOL BOARD, COMPLETE *****		
< CONNECTOR >			
PN803	1-695-822-11	CONNECTOR, BOARD TO BOARD 8P < RESISTOR >	
R801	1-249-420-11	CARBON 1.8K 5%	1/4W F
R802	1-249-422-11	CARBON 2.7K 5%	1/4W F
R805	1-249-426-11	CARBON 5.6K 5%	1/4W
R806	1-249-428-11	CARBON 8.2K 5%	1/4W F

Ref. No.	Part No.	Description	Remarks
< SWITCH >			
SW801	1-762-875-21	SWITCH, KEYBOARD (OPEN/CLOSE)	
SW802	1-762-875-21	SWITCH, KEYBOARD (RECORD)	
SW805	1-762-875-21	SWITCH, KEYBOARD (PAUSE)	
SW806	1-762-875-21	SWITCH, KEYBOARD (PLAY)	
SW807	1-762-875-21	SWITCH, KEYBOARD (STOP)	
< VARIABLE RESISTOR >			
VR802	1-223-799-11	RES, VAR, CARBON 20K/20K	

MISCELLANEOUS *****			
57	1-823-105-11	WIRE (FLAT TYPE)(16 CORE)	
58	1-823-104-11	WIRE (FLAT TYPE)(26 CORE)	
△ 61	1-823-044-11	CORD, POWER	
△ F901	1-576-533-11	FUSE	
FLD801	1-518-766-11	INDICATOR TUBE, FLUORESCENT	

ACCESSORIES & PACKING MATERIALS *****			
1-476-514-11	REMOTE, COMMANDER (RM-R50)		
4-228-696-01	COVER, BATTERY (FOR RM-R50)		
4-233-692-12	MANUAL, INSTRUCTION (ENGLISH)		
4-233-692-21	MANUAL, INSTRUCTION (FRENCH)		
4-233-692-31	MANUAL, INSTRUCTION (SPANISH)		
4-235-857-01	MANUAL ASSY, OWNERS		

MEMO

REVISION HISTORY

Clicking the version allows you to jump to the revised page.
Also, clicking the version at the upper right on the revised page allows you to jump to the next revised page.

Ver.	Date	Description of Revision
1.1	2001.04	SUPPLEMENT-1: Circuit board Location, Block Diagram, Schematic Diagram, IC Pin Function, Exploded View and Electrical Parts List are added
1.0	2000.05	New