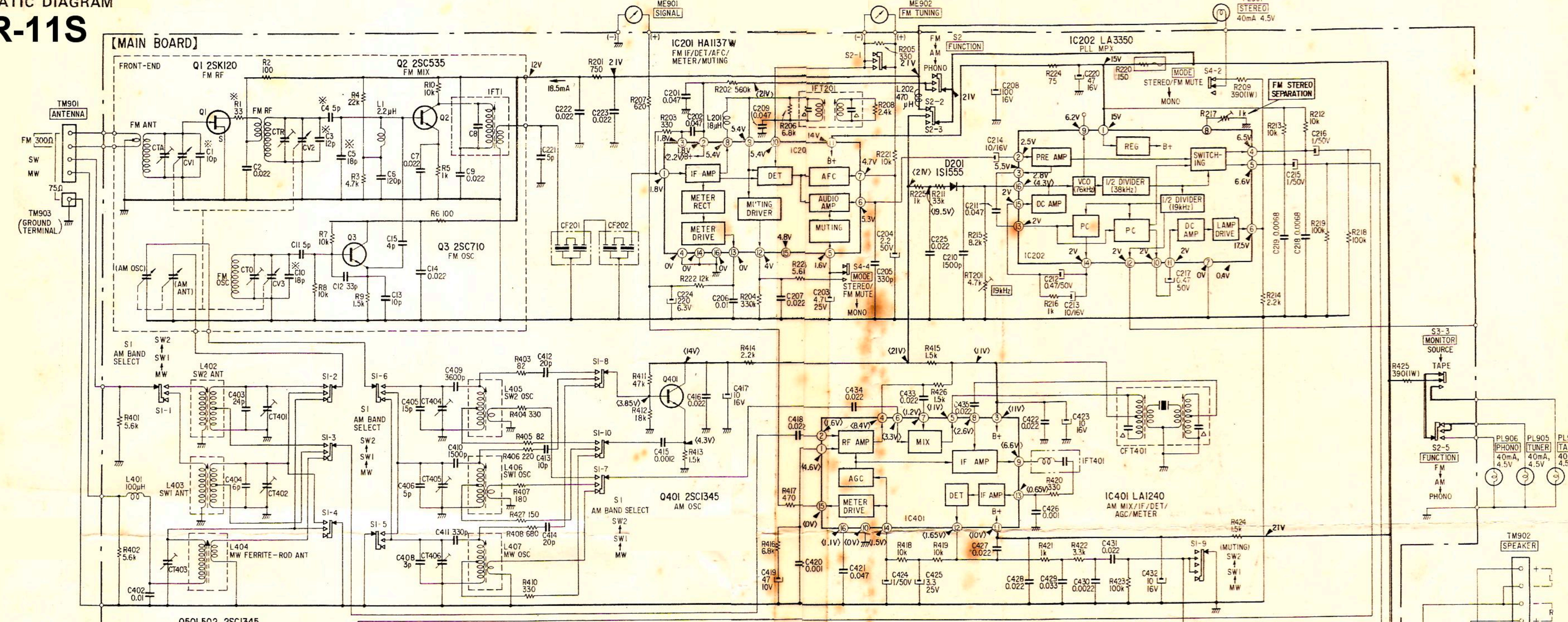


SCHEMATIC DIAGRAM STR-11S

[MAIN BOARD]



[JACK BOARD]

