

STR-471

SERVICE MANUAL

US Model

The STR-471 is approximately the same as the STR-DE405. Consequently, only differences between STR-DE405 (US model) and STR-471 are listed. For other information, please refer to the STR-DE405 service manual (9-960-616-11) previously issued.

Main differences portion

STR-DE405	STR-471
VIDEO MOUNT	MIX MOUNT
VIDEO IN/OUT terminal	_____
TV/DBS VIDEO IN terminal	_____
MONITOR VIDEO OUT terminal	_____
_____	MIX AUDIO OUT terminal
CNJ902 : AC outlet (Single)	CNJ902 : AC outlets (Double)

FM STEREO/FM-AM RECEIVER

SONY®



996094011

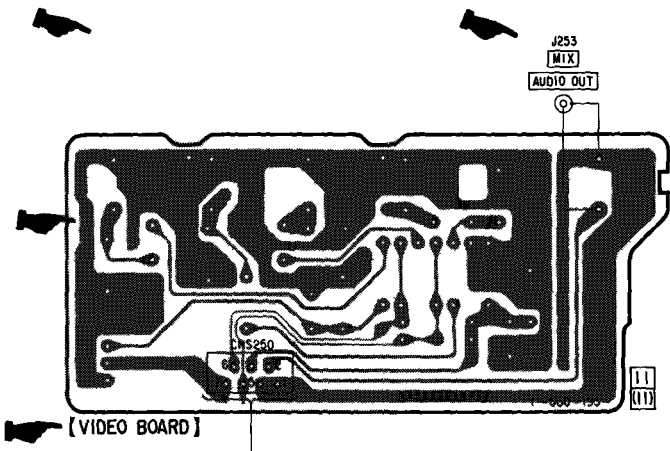
DIAGRAMS

 : difference portion

PRINTED WIRING BOARDS (MAIN SECTION)

(Service Manual See page 9,10)

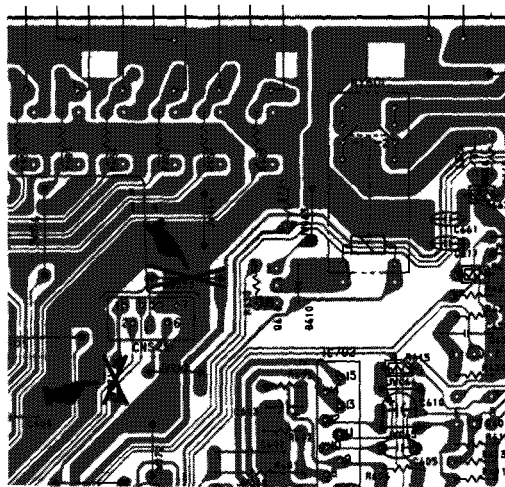
(Location C - E, 1 - 4)



PRINTED WIRING BOARDS (MAIN SECTION)

(Service Manual See page 10)

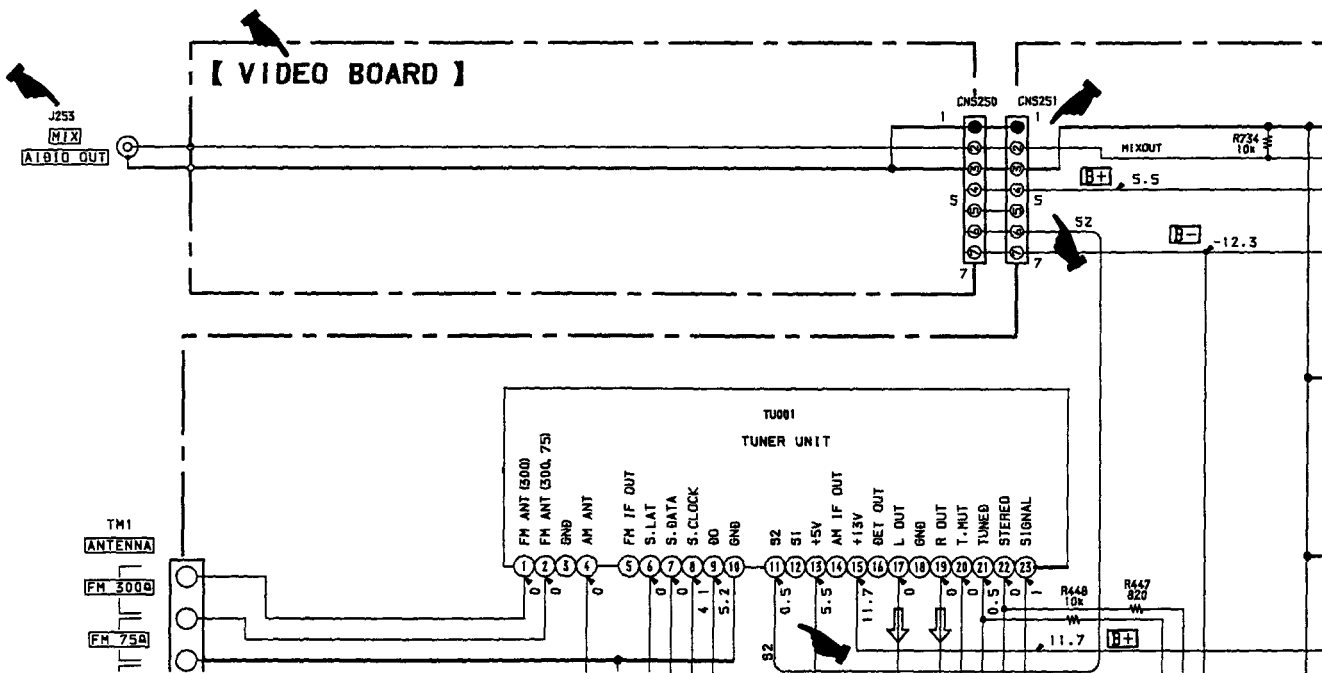
(Location B - D, 9 - 12)



SCHEMATIC DIAGRAM (MAIN SECTION)

(Service Manual See page 13,14)

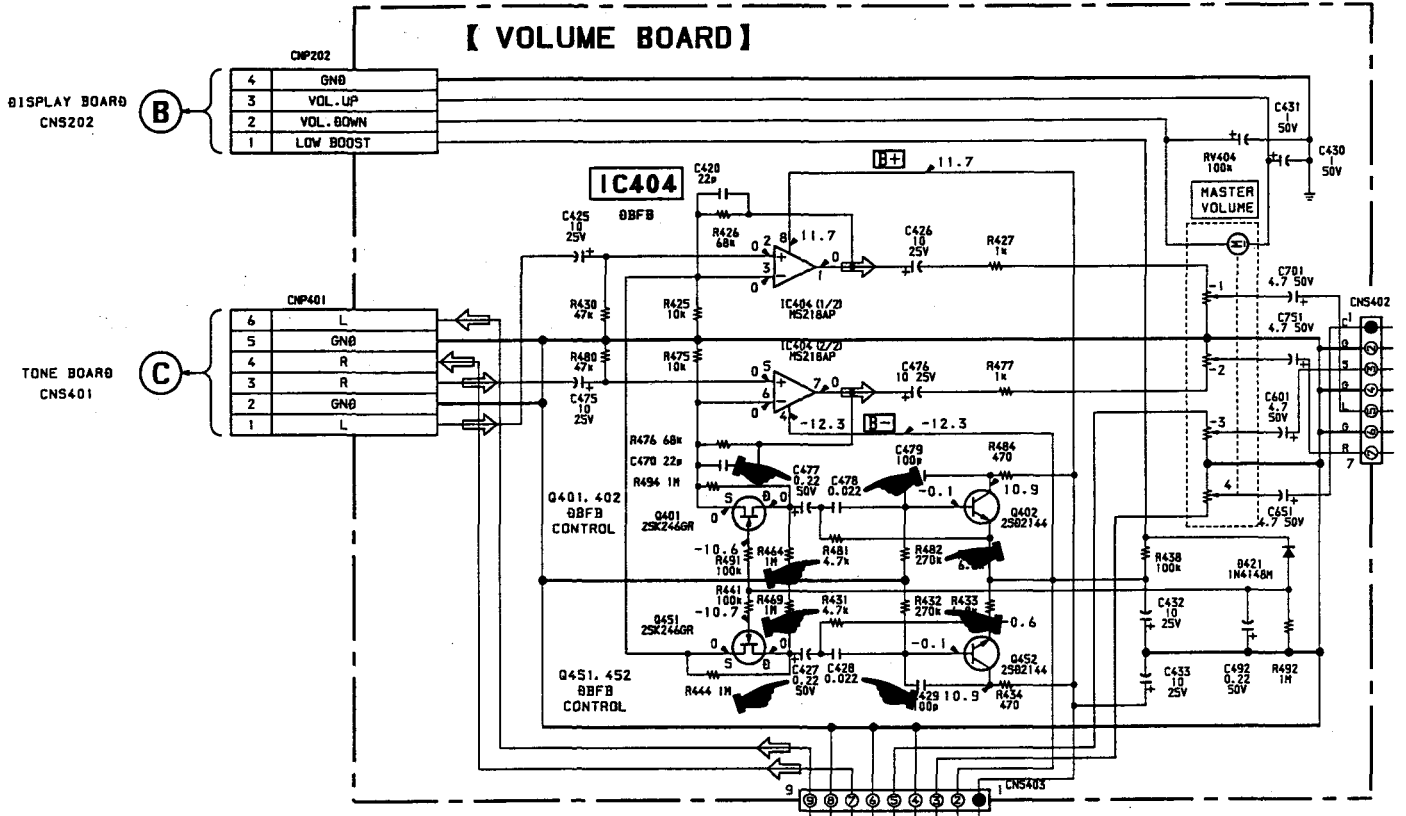
(Location F - I, 1 - 7)



SCHEMATIC DIAGRAM (MAIN SECTION)

(Service Manual See page 14)

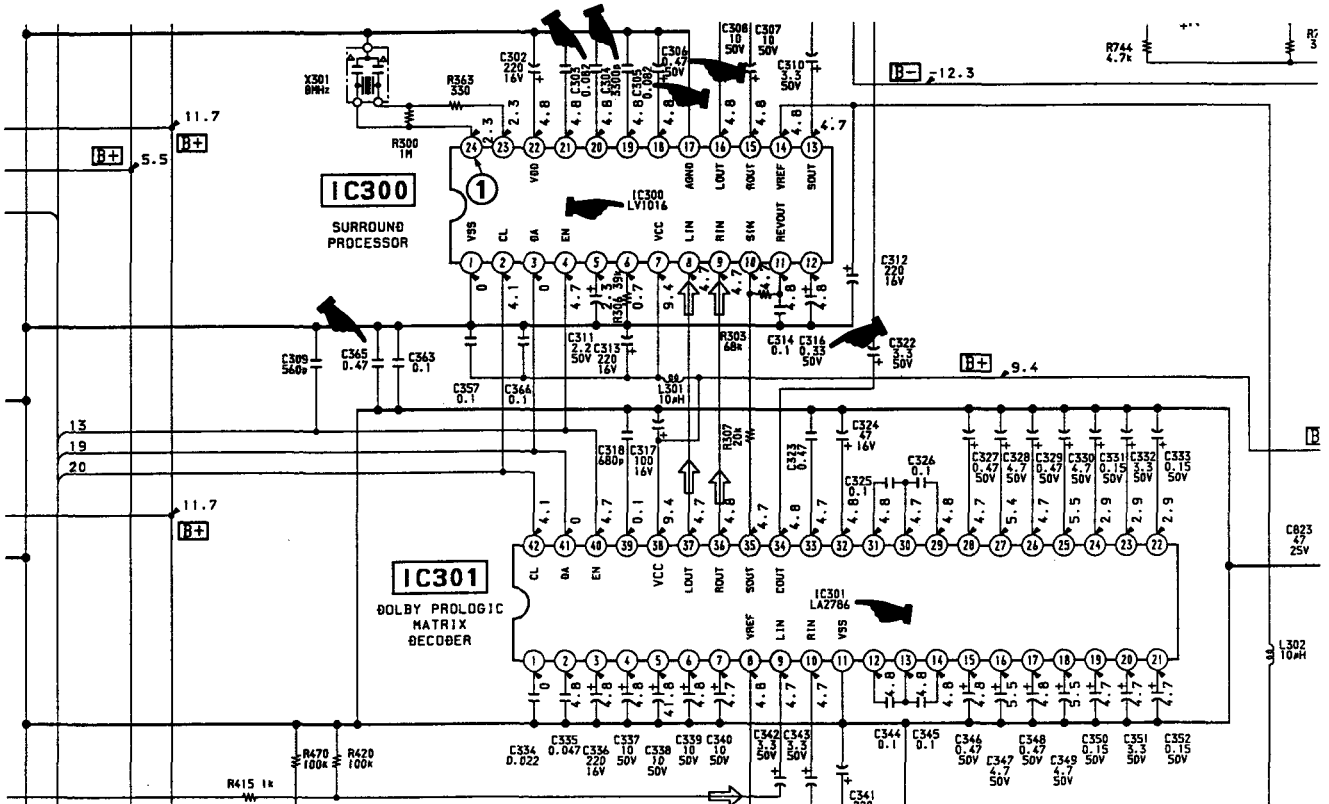
(Location A - E, 6 - 13)



SCHEMATIC DIAGRAM (MAIN SECTION)

(Service Manual See page 14,15)

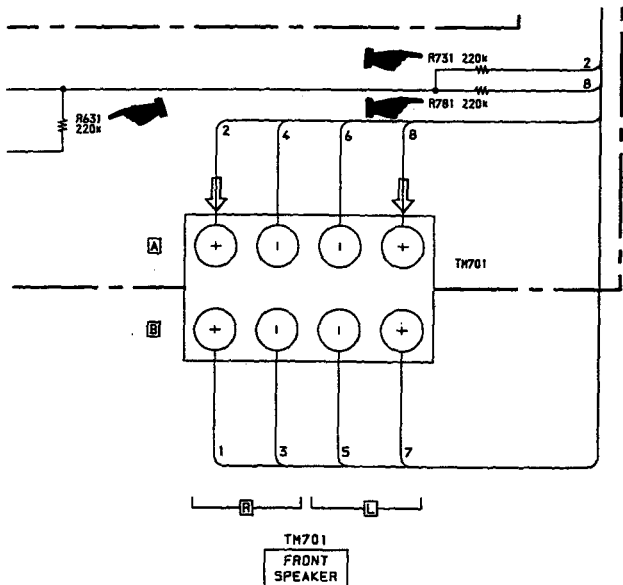
(Location I - M, 9 - 17)



SCHEMATIC DIAGRAM (MAIN SECTION)

(Service Manual See page 16)

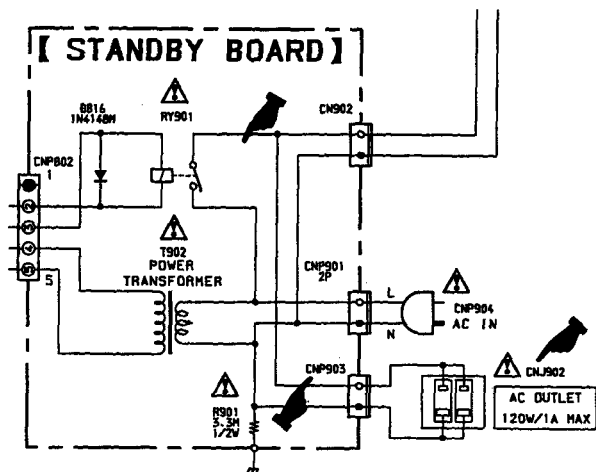
(Location E - G, 28 - 31)



SCHEMATIC DIAGRAM (MAIN SECTION)

(Service Manual See page 16)

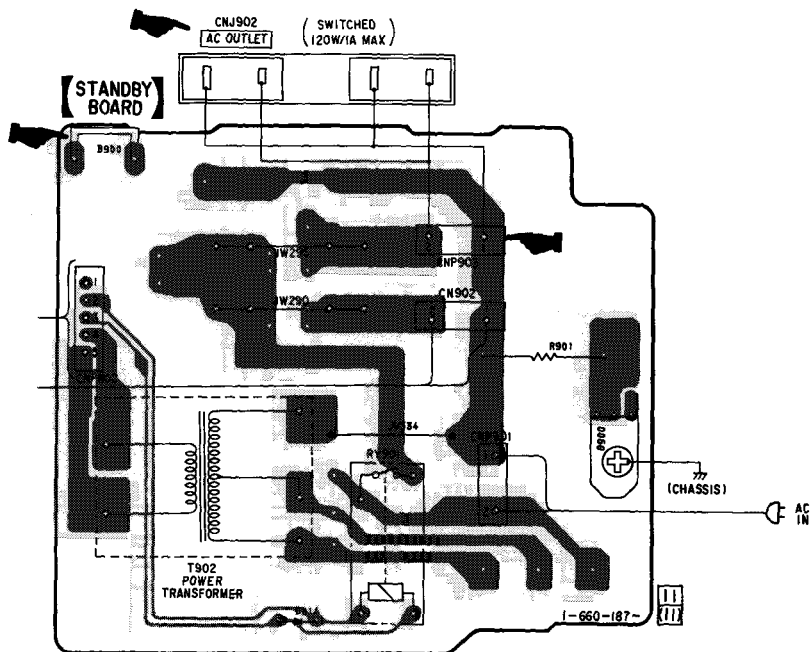
(Location O - Q, 25 - 28)



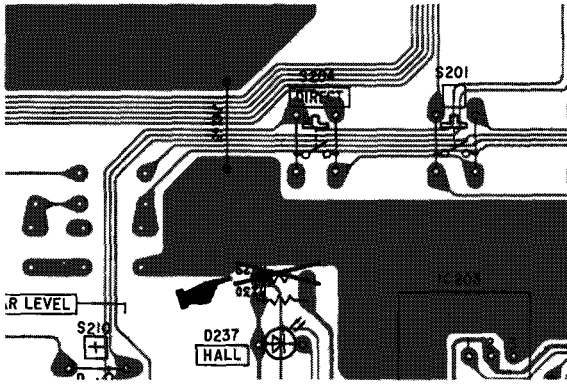
PRINTED WIRING BOARDS (MAIN SECTION)

(Service Manual See page 12)

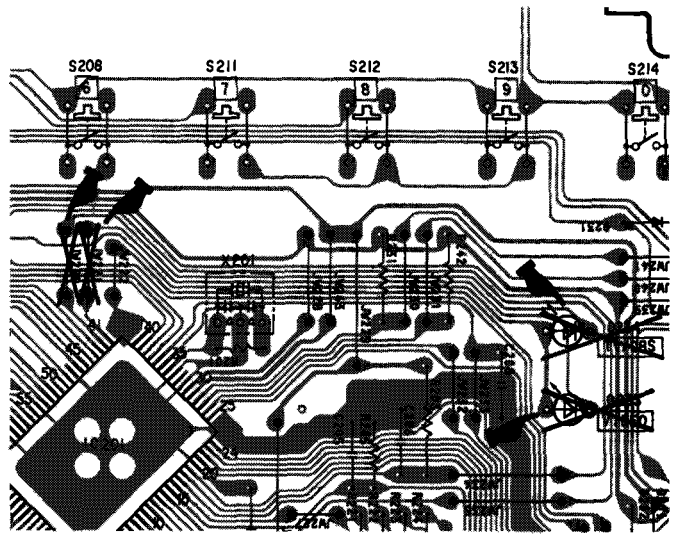
(Location A - E, 24 - 28)



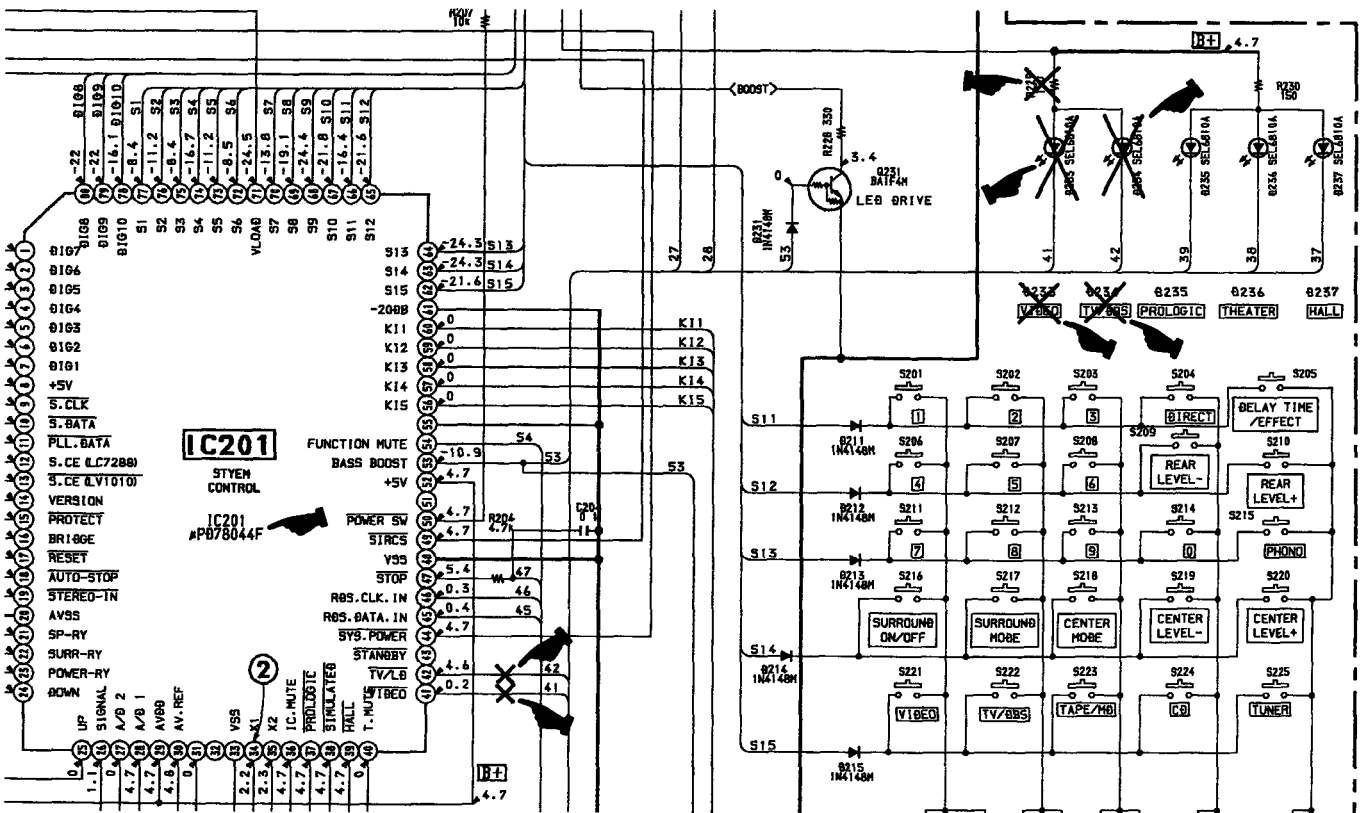
PRINTED WIRING BOARDS (DISPLAY SECTION)
 (Service Manual See page 21)
 (Location B - C, 5 - 7)



PRINTED WIRING BOARDS (DISPLAY SECTION)
 (Service Manual See page 22, 23)
 (Location B - D, 10 - 12)



SCHEMATIC DIAGRAM (DISPLAY SECTION)
 (Service Manual See page 19, 20)
 (Location D - H, 7 - 15)



DEFERENT PARTS LIST

NOTE :

- Items marked “*” are not stocked since they are seldom required for routine service. Some delay should be anticipated when ordering these items.

The components identified by mark Δ or dotted line with mark Δ are critical for safety.
Replace only with part number specified.

● EXPLODED VIEWS

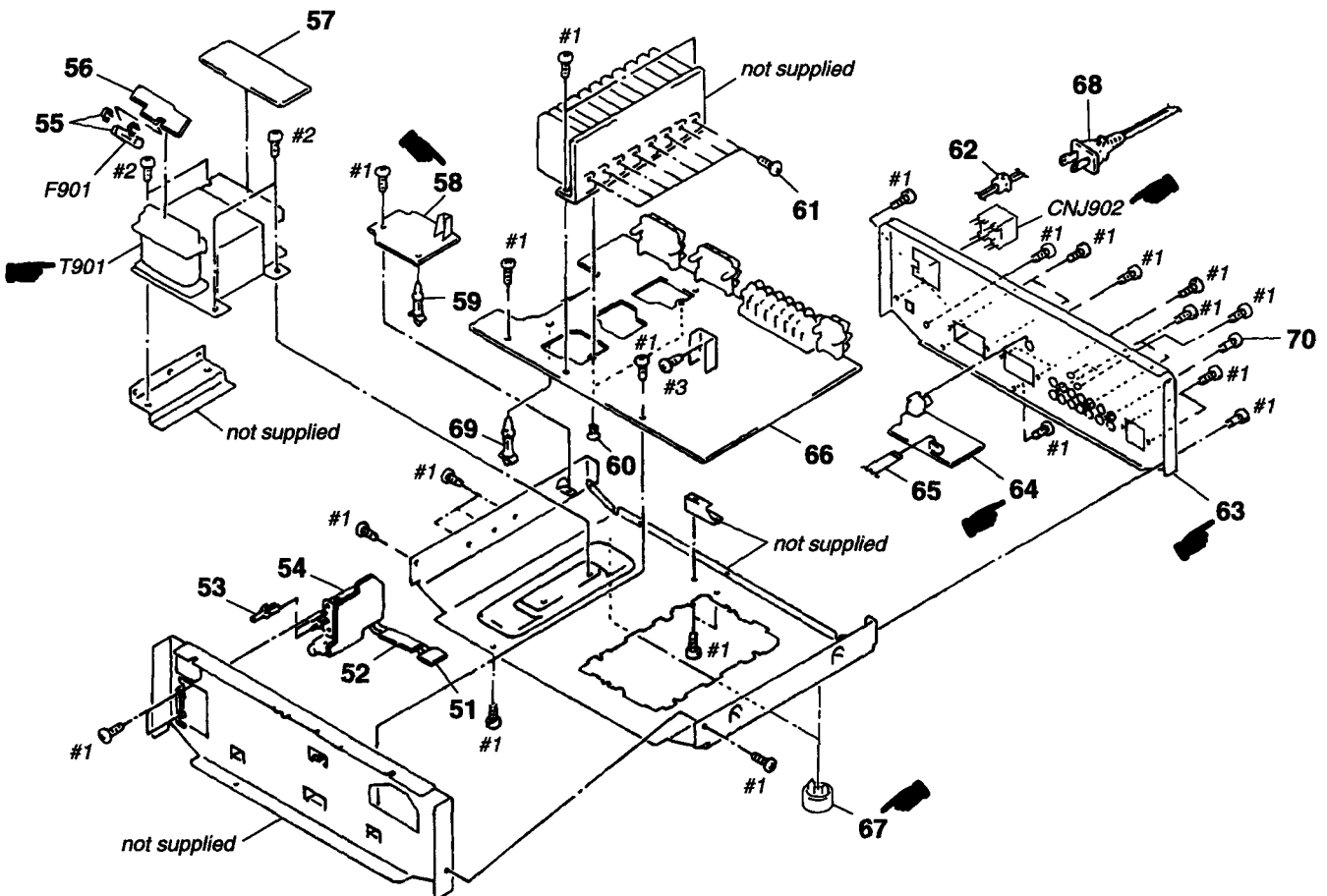
Page 24

Ref. No.	Part No.	Description	Remark
3	X-4948-419-1	PANEL ASSY, FRONT	
* 9	A-4398-155-A	DISPLAY BOARD, COMPLETE	

 : difference portion

Page 25

4-2. CHASSIS SECTION



Ref. No.	Part No.	Description	Remark
* 58	A-4398-156-A	STANDBY BOARD, COMPLETE	
* 63	4-980-647-71	PANEL, BACK	
* 64	1-660-195-11	VIDEO BOARD	
* 66	A-4398-158-A	MAIN BOARD, COMPLETE	
67	X-3371-405-2	FOOT (SMALL) ASSY	
Δ CNJ902	1-526-883-21	OUTLET, AC (AC OUTLET)	
Δ T901	1-429-699-31	TRANSFORMER, POWER	

● ELECTRICAL PARTS LIST

NOTE :

- Items marked “ * ” are not stocked since they are seldom required for routine service. Some delay should be anticipated when ordering these items.

The components identified by mark Δ or dotted line with mark Δ are critical for safety.
Replace only with part number specified

DISPLAY (Service Manual See Page 26 – 27)

Ref. No.	Part No.	Description	Remark
—	*A-4398-155-A	DISPLAY BOARD, COMPLETE	Changed
D233			Deleted
D234			Deleted
IC201	8-759-465-34	IC uPD78044FGF-047-3B9	Changed
R229			Deleted

MAIN (Service Manual See Page 27 – 31)

Ref. No.	Part No.	Description	Remark
—	*A-4398-158-A	MAIN BOARD, COMPLETE	Changed
C303	1-130-494-11	MYLAR 0.082uF 5% 50V	Changed
C304	1-137-367-11	FILM 0.0033uF 5% 50V	Changed
C305	1-130-494-11	MYLAR 0.082uF 5% 50V	Changed
C306	1-126-959-11	ELECT 0.47uF 20% 50V	Changed
C316	1-124-252-11	ELECT 0.33uF 20% 50V	Changed
C365	1-136-173-11	FILM 0.47uF 5% 50V	Changed
IC300	8-759-442-97	IC LV1016	Changed
IC301	8-759-442-96	IC LA2786	Changed
R631	1-247-887-00	CARBON 220K 5% 1/4W	Added
R731	1-247-887-00	CARBON 220K 5% 1/4W	Added
R781	1-247-887-00	CARBON 220K 5% 1/4W	Added

SP SW (Service Manual See Page 32)

Ref. No.	Part No.	Description	Remark
J741	1-750-731-11	JACK (LARGE TYPE) (PHONES)	Changed

STANDBY (Service Manual See Page 32)

Ref. No.	Part No.	Description	Remark
—	*A-4398-156-A	STANDBY BOARD, COMPLETE	Changed
Δ CNJ902			Deleted
CNP903	1-580-230-11	PIN, CONNECTOR 2P	Added

MIX (Service Manual See Page 33) (STR-DE405 : VIDEO BOARD)

Ref. No.	Part No.	Description	Remark
C250			Deleted
C251			Deleted
C252			Deleted
C253			Deleted
C254			Deleted
C255			Deleted
C256			Deleted
C257			Deleted
IC251			Deleted
IC252			Deleted
J251			Deleted
J252			Deleted
J253	1-774-843-11	JACK, PIN 1P (MIX AUDIO OUT)	Added
R251			Deleted
R252			Deleted
R253			Deleted
R254			Deleted
R255			Deleted
R256			Deleted

STR-471

VOLUME (Service Manual See Page 33 – 34)

Ref. No	Part No.	Description	Remark
—	*A-4403-196-A	VOLUME BOARD, COMPLETE	Changed
C427	1-124-464-00	ELECT 0.22uF 20% 50V	Changed
C428	1-137-372-00	MYLAR 0.022uF 5% 50V	Changed
C477	1-124-464-00	ELECT 0.22uF 20% 50V	Changed
C478	1-137-372-00	MYLAR 0.022uF 5% 50V	Changed
R431	1-249-425-11	CARBON 4 7K 5% 1/4W	Changed
R432	1-247-889-00	CARBON 270K 5% 1/4W	Changed
R481	1-249-425-11	CARBON 4.7K 5% 1/4W	Changed
R482	1-247-889-00	CARBON 270K 5% 1/4W	Changed

ACCESSORIES & PACKING MATERIALS

Page 34

Ref. No.	Part No	Description	Remark
—	1-475-108-11	REMOTE COMMANDER (RM-U475)	
—	3-859-602-11	MANUAL, INSTRUCTION (ENGLISH) (US)	
—	4-981-643-01	LID, BATTERY (FOR RM-U475)	