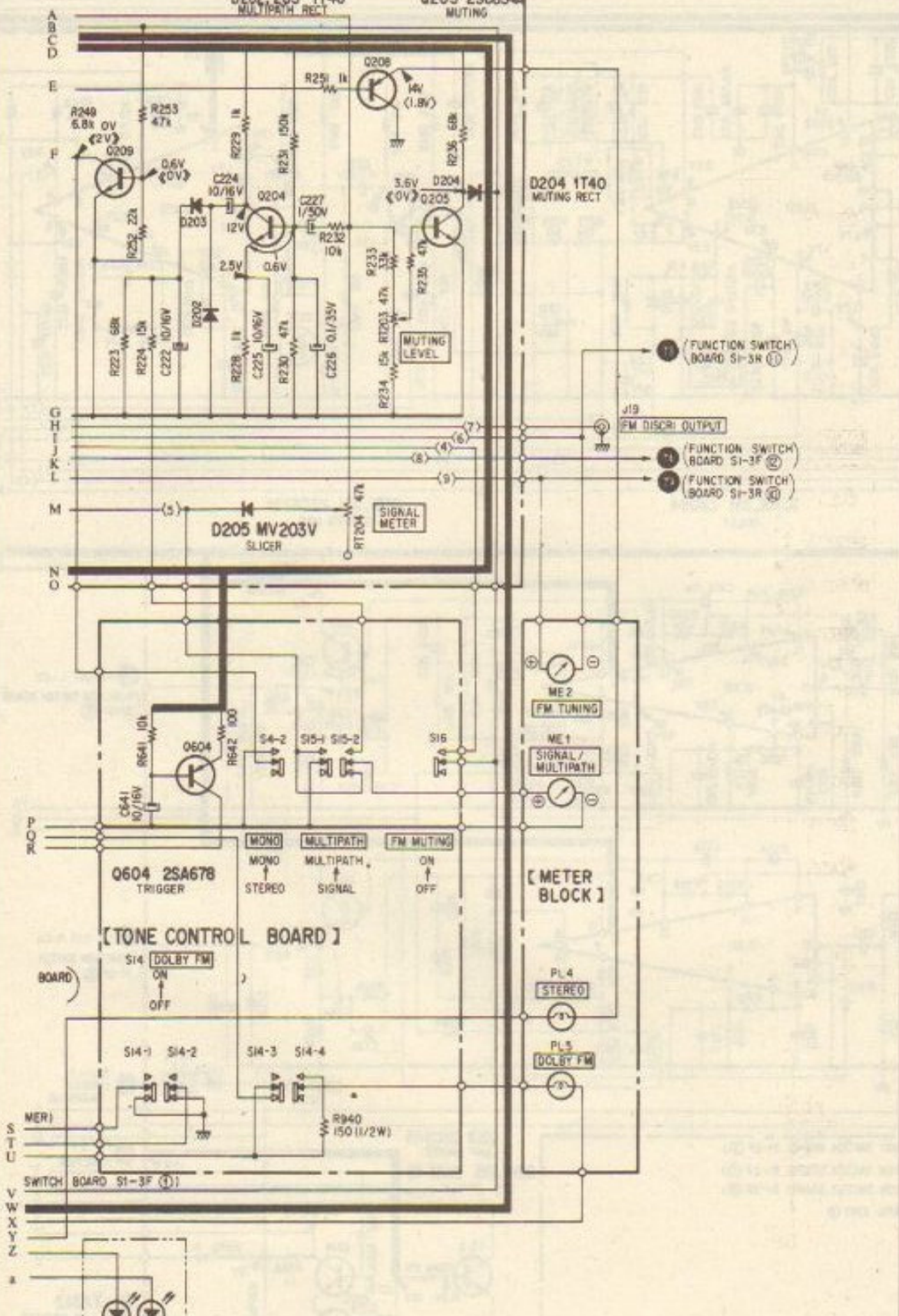


[AUX JACK BOARD]

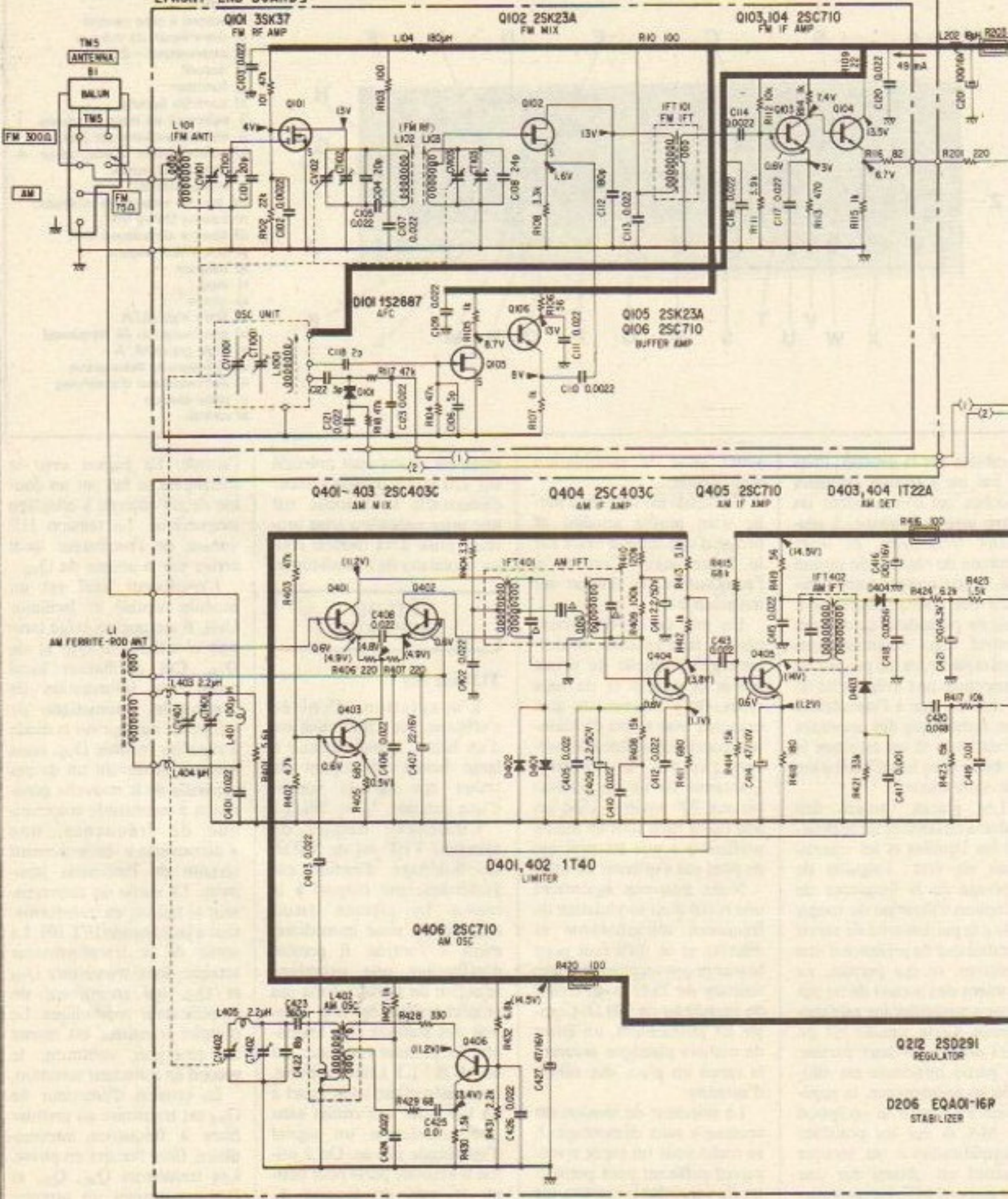
[EQ AMP BOARD]

[FUNCTION SWITCH BOARD]

AEP MODEL



[FRONT-END BOARD]



Q201-203 2SC710
FM IF AMP

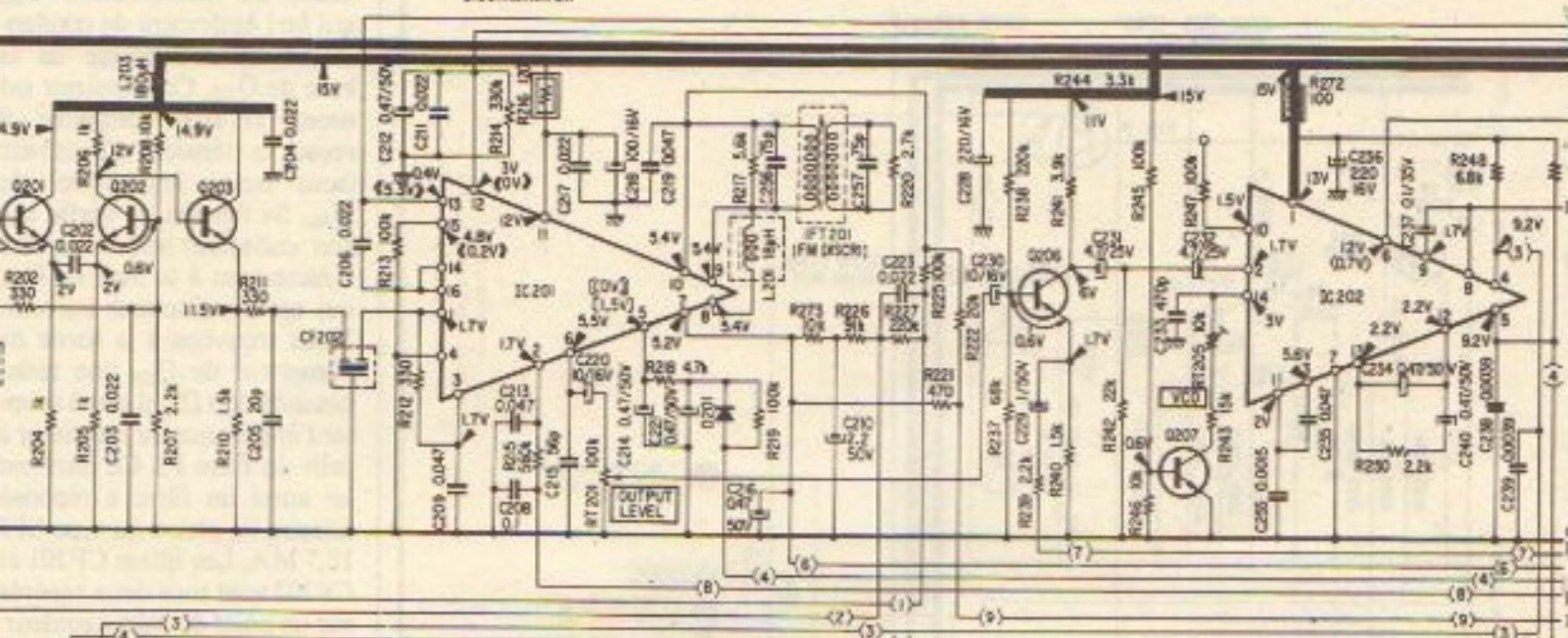
IC201 HA1137W
METER DRIVER
MUTING/FM IF AMP
DISCRIMINATOR

D201 1T22A
MUTING

Q206 2SC632A
FLAT AMP

Q207 2SC634A
VCO STOPPER

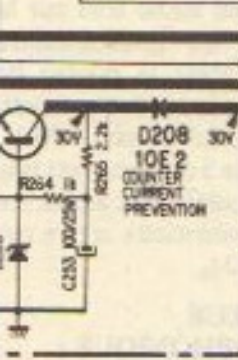
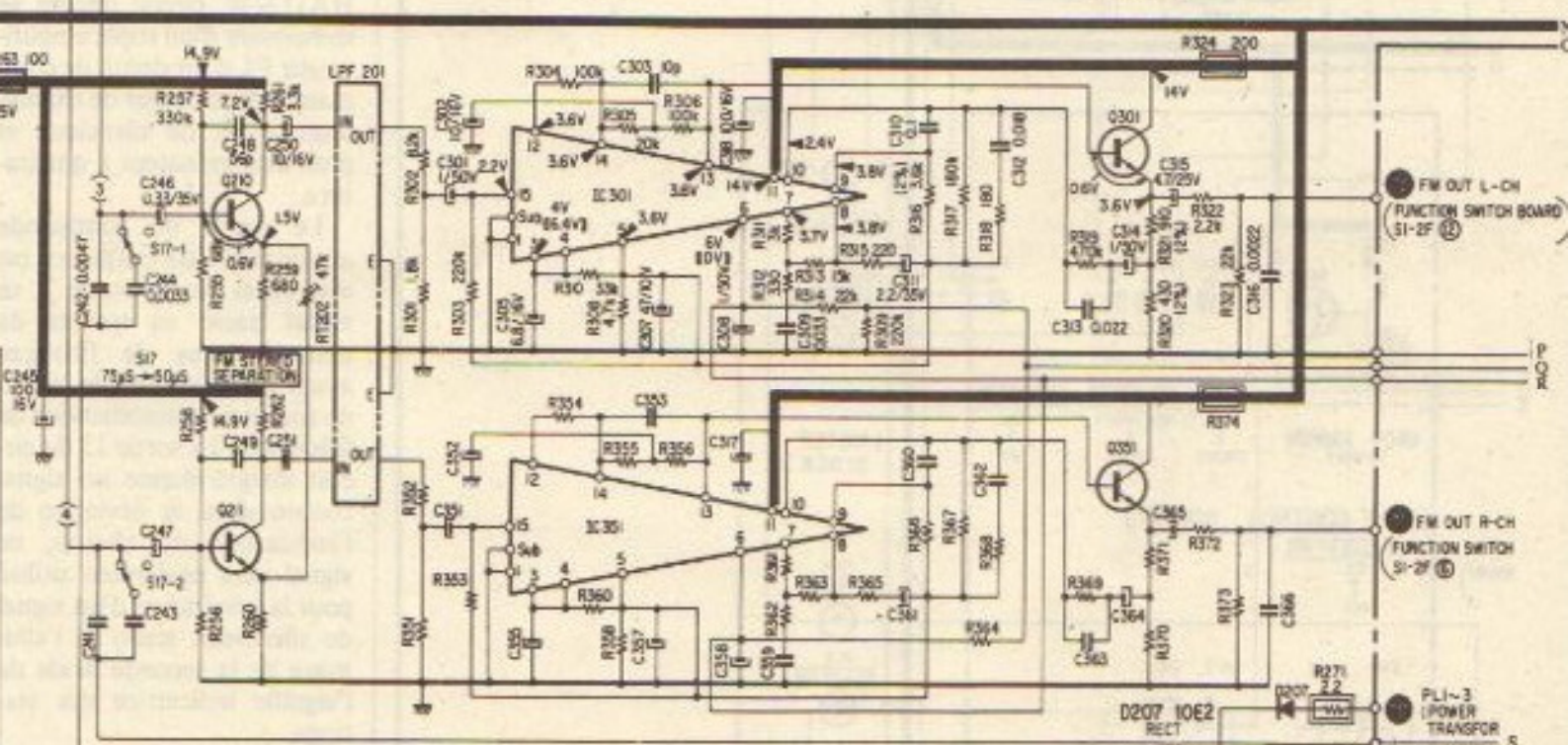
IC202 HA1156
MPX DECODER



Q210,211 2SC632A
FLAT AMP

IC301,351 CX064
DOLBY

Q301,351 2SC632A
BUFFER AMP



- COM B+ (FUNCTION SWITCH BOARD SI-3F ①)
- AM OUT (FUNCTION SWITCH BOARD SI-2F ②)
- AM B+ (FUNCTION SWITCH BOARD SI-3F ③)
- POWER AMP BOARD C93 ④

